

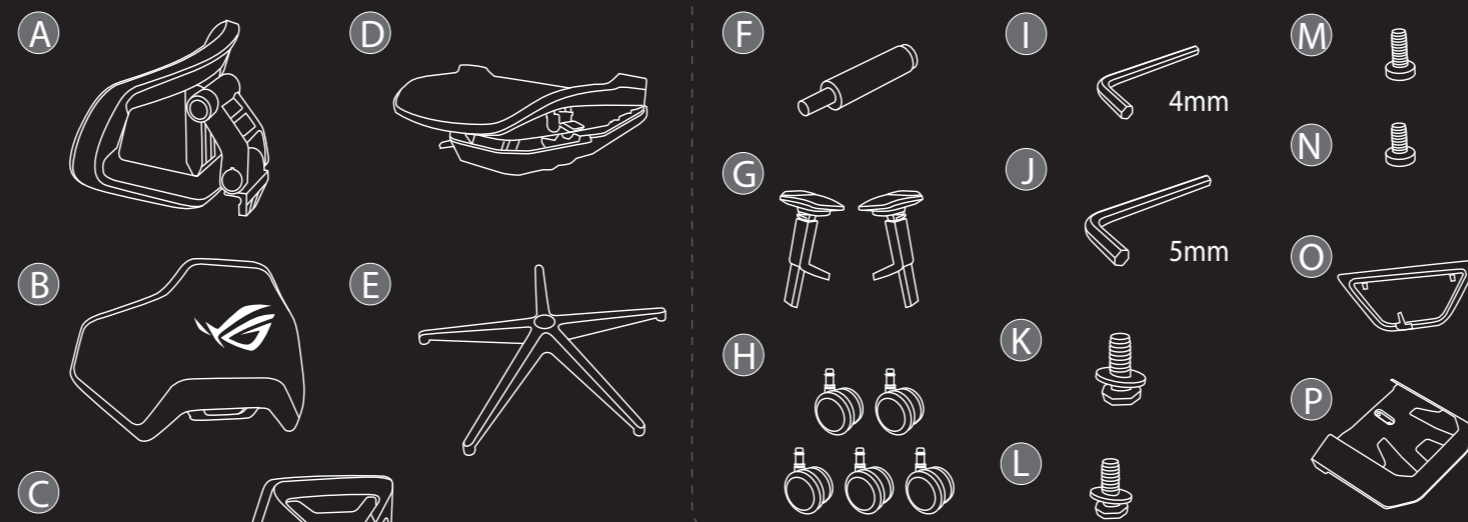


SL400 ASSEMBLY GUIDE

ASSEMBLY VIDEO INFORMATION

Scan the QR code to watch the full SL400 assembly video.

Package contents

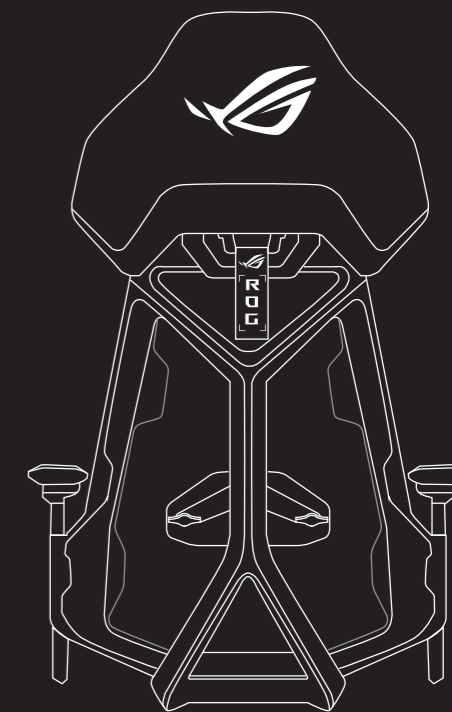


Accessories Box Contents		
A. Headrest	F. Gas lift	L. Armrest screw x 6
B. Acoustic panel	G. Armrest x 2	M. Headrest / Panel screw x 4
C. Back	H. Caster wheel x 5	N. Seat base cover screw x 2
D. Seat base	I. Hex key (4mm)	O. Headrest screw cover
E. Wheel base	J. Hex key (5mm)	P. Seat base cover
	K. Backrest screw x 3	

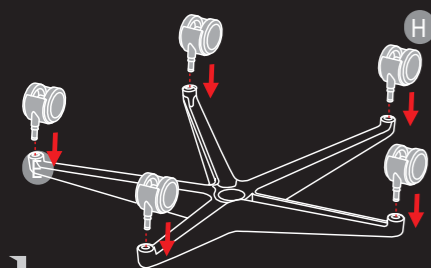
NOTE: The illustrations are for reference only and may differ from your actual chair in appearance and features.

Other features

Hanger at the back of the chair for hanging your headset, clothes, caps and so on.



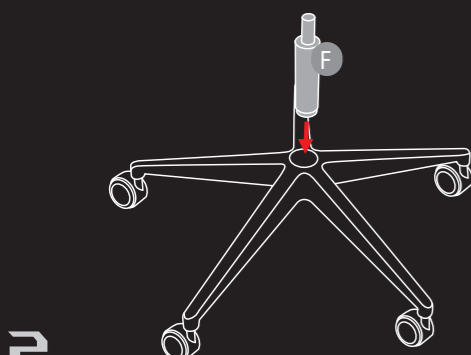
Assembling your chair



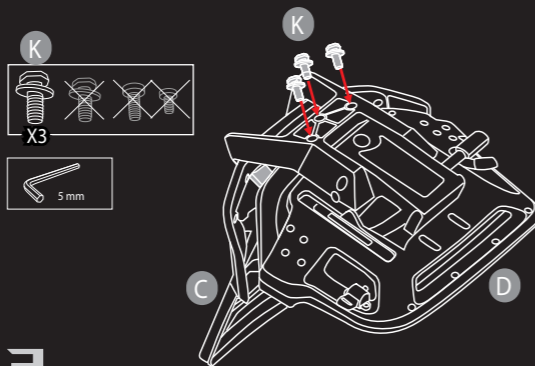
1. Install the five castor wheels onto the wheel base.

NOTES:

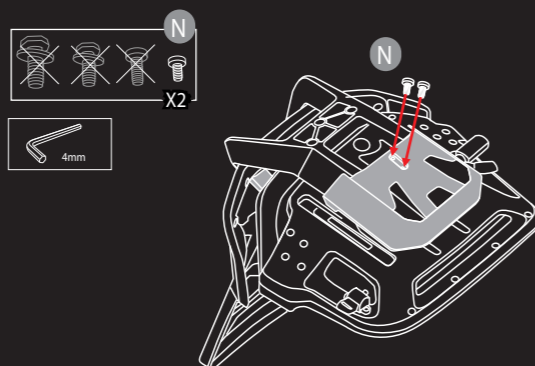
- While installing the castor wheels, press down firmly on the wheels by hand until they seat into the bottom of the wheel base.
- DO NOT use tools to knock them into place to prevent damage.
- The castor wheels are made from materials that are friendly to wooden floor.



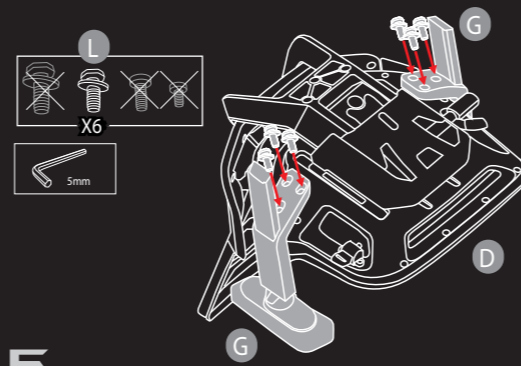
2. Install the gas lift piston onto the wheel base.



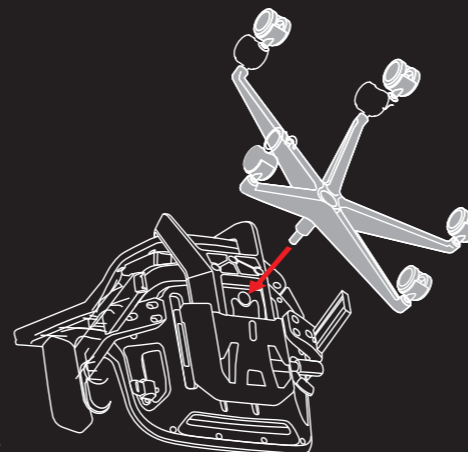
3. Place the seat base (D) on the edge of a stable surface, install the back (C) with 3 backrest screws (K).



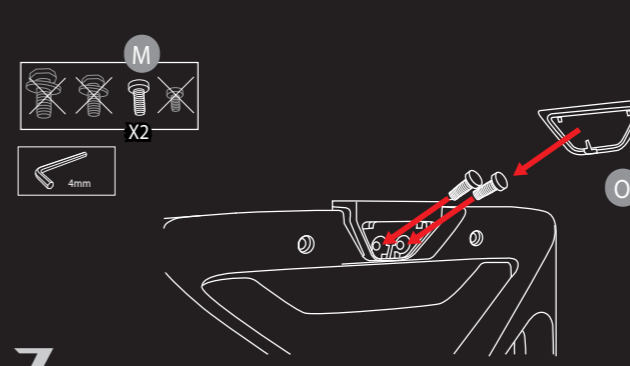
4. Install the seat base cover with 2 seat base cover screws (N).



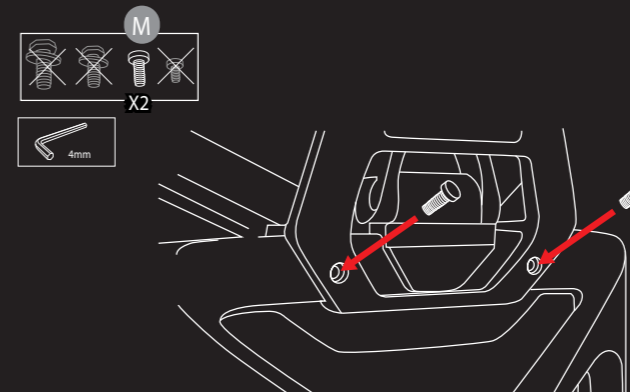
5. Install armrests (G) to the bottom of the seat base (D) and secure with 6 armrest screws (L).



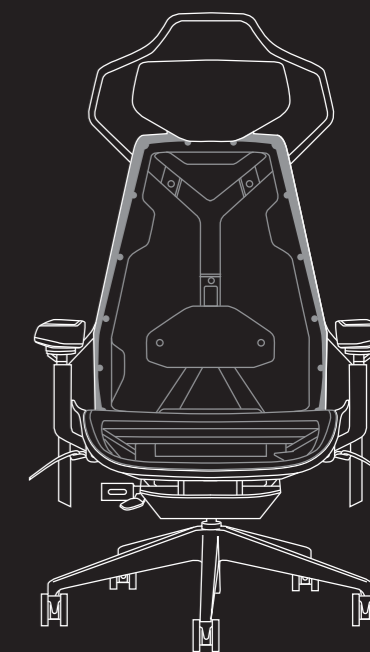
6. Insert the gas lift of the assembled wheel base into the mounting hole of the seat base.



7. Use two headrest screws (M) to secure the headrest from the back side of the chair and install the screw cover.

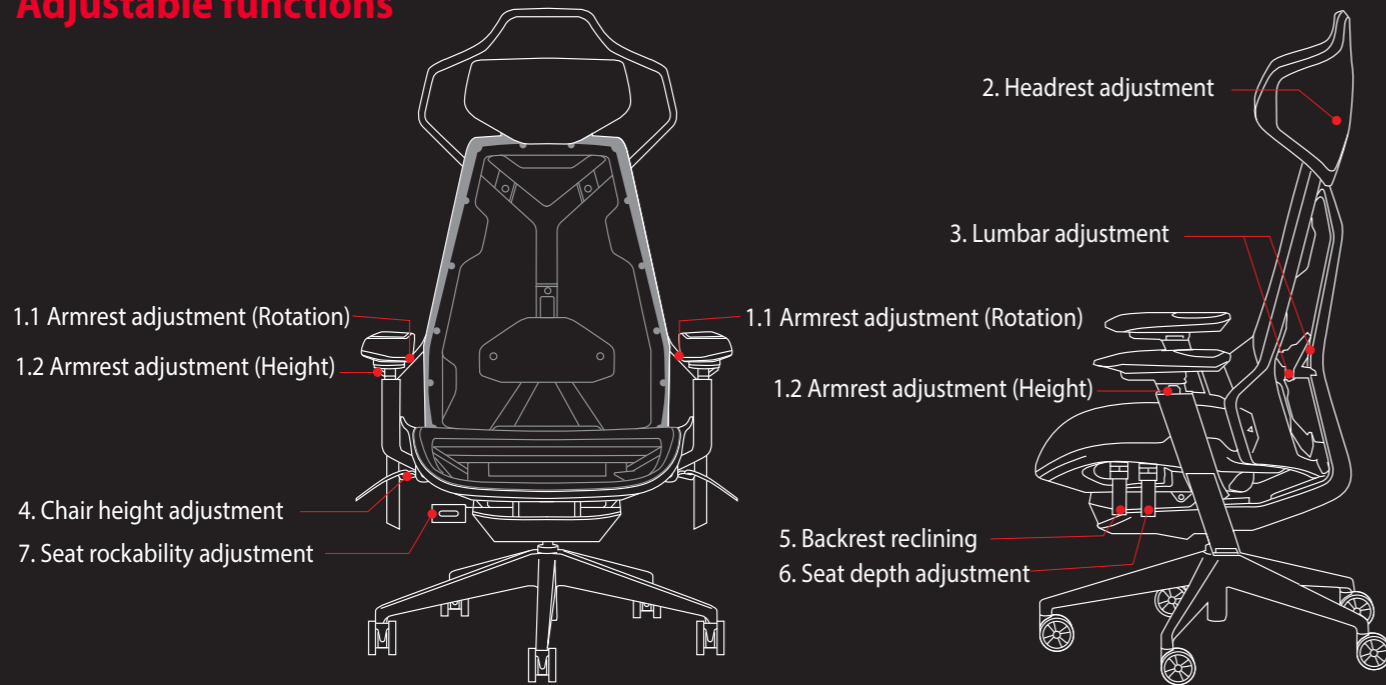


8. Use the other two headrest screws (M) to secure the acoustic panel from the back.



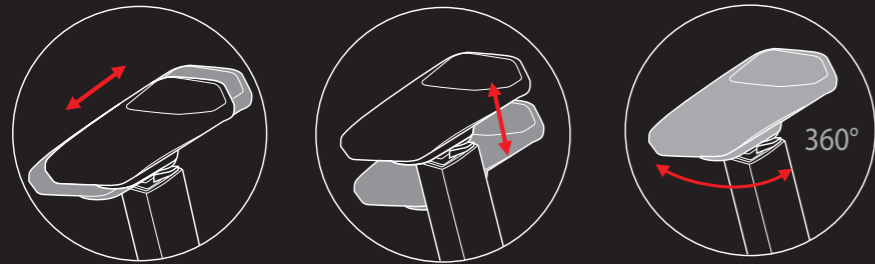
9. Finish!

Adjustable functions

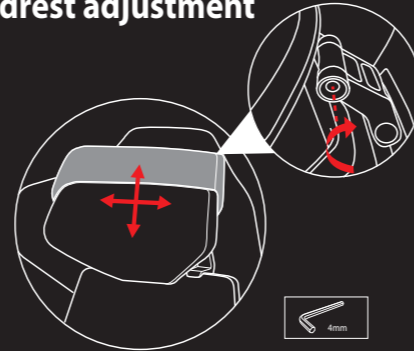


1. Armrest adjustment

8 positions of armrest height adjustment and lock



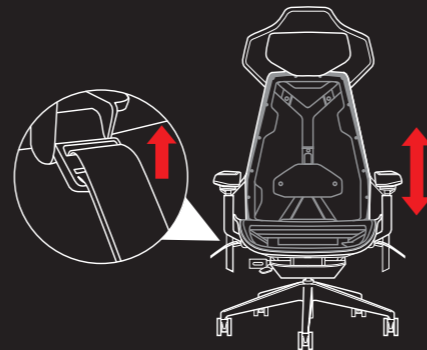
2. Headrest adjustment



3. Lumbar adjustment



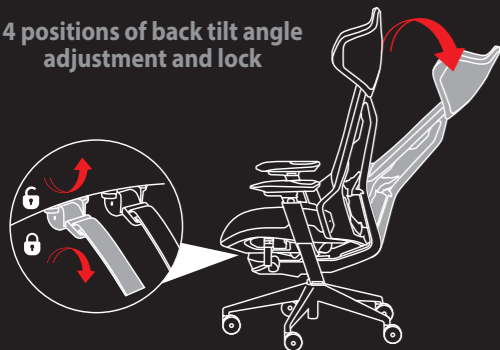
4. Chair height adjustment



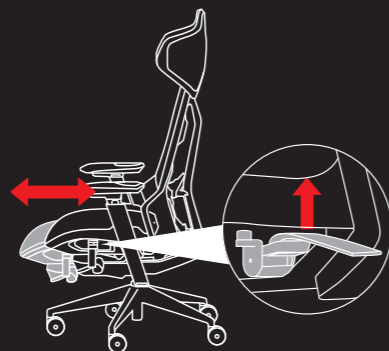
If the headrest gets loose, please use a screwdriver to tighten it.

5. Backrest reclining

4 positions of back tilt angle adjustment and lock

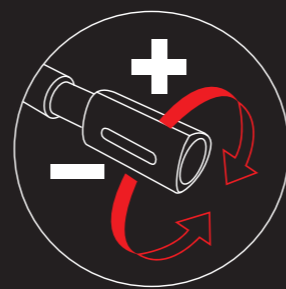


6. Seat depth adjustment



7. Seat rockability adjustment

Fine-tuning knob for tension adjustment



Safety Notices



Sit in the center of the chair with your back against the backrest



Do not sit on the edge of the chair



Do not stand on the chair



Do not push down on the reclined backrest when a person is on it



Keep your hands and fingers away from the recline mechanism

WARNING!



WARNING!

- Warning! Only trained personnel may replace or repair components (eg. gas lift piston) for seat height adjustment.
- This chair should only be used in a normal and non-abusive manner. We are not liable for any damages resulting from improper assembly and/or usage.
- The maximum recommended weight load is 150 kg (331lb).
- Never assemble or disassemble your chair in an improper manner.
- Please watch your back when the backrest returns back to its original position from a reclined position.
- To avoid damage to your chair, please do not use excessive force to pull up your headrest and acoustic panel.

ATTENTION:

- The castors are suitable for both soft and hard floors.
- This office work chair is tested for office use. The dimensions of this chair are classified as Type A according to EN 1335-1.

CARE INSTRUCTIONS

Leather care guide

- Dust removal: Use a brush with moderate bristles to remove dust.
- Cleaning: Use leather special cleaner.
- Maintenance: Leather special maintenance protective agent.

Plastic care guide

- Wipe the surface with a damp cloth.

Aluminum alloy metal care guide

- Do not use wet object cleaning the chair to avoid corroding.