



Hewlett Packard
Enterprise

HPE ProLiant DL380 Gen11 Server User Guide

Part Number: 30-ABE7B3E0-008
Published: January 2024
Edition: 8

HPE ProLiant DL380 Gen11 Server User Guide

Abstract

This document is for the person who installs, administers, and troubleshoots servers and storage systems. Hewlett Packard Enterprise assumes you are qualified in the servicing of computer equipment and trained in recognizing hazards in products with hazardous energy levels.

Part Number: 30-ABE7B3E0-008

Published: January 2024

Edition: 8

© Copyright –2024 Hewlett Packard Enterprise Development LP

Notices

The information contained herein is subject to change without notice. The only warranties for Hewlett Packard Enterprise products and services are set forth in the express warranty statements accompanying such products and services. Nothing herein should be construed as constituting an additional warranty. Hewlett Packard Enterprise shall not be liable for technical or editorial errors or omissions contained herein.

Confidential computer software. Valid license from Hewlett Packard Enterprise required for possession, use, or copying. Consistent with FAR 12.211 and 12.212, Commercial Computer Software, Computer Software Documentation, and Technical Data for Commercial Items are licensed to the U.S. Government under vendor's standard commercial license.

Links to third-party websites take you outside the Hewlett Packard Enterprise website. Hewlett Packard Enterprise has no control over and is not responsible for information outside the Hewlett Packard Enterprise website.

Acknowledgments

Intel®, Itanium®, Optane™, Pentium®, Xeon®, Intel Inside®, and the Intel Inside logo are trademarks of Intel Corporation or its subsidiaries.

Microsoft® and Windows® are either registered trademarks or trademarks of Microsoft Corporation in the United States and/or other countries.

Linux® is the registered trademark of Linus Torvalds in the U.S. and other countries.

VMware ESXi™ and VMware vSphere® are registered trademarks or trademarks of VMware, Inc. in the United States and/or other jurisdictions.

Red Hat® Enterprise Linux is a registered trademark of Red Hat, Inc. in the United States and other countries.

microSD® is a trademark or a registered trademark of SD-3D in the United States, other countries of both.

Kensington® is a registered trademark of ACCO Brands.

All third-party marks are property of their respective owners.

Table of contents

- **Controllers**
 - Installing a type-o storage controller
 - Installing a type-p storage controller

Controllers

Subtopics

[Installing a type-o storage controller](#)

[Installing a type-p storage controller](#)

Installing a type-o storage controller

Prerequisites

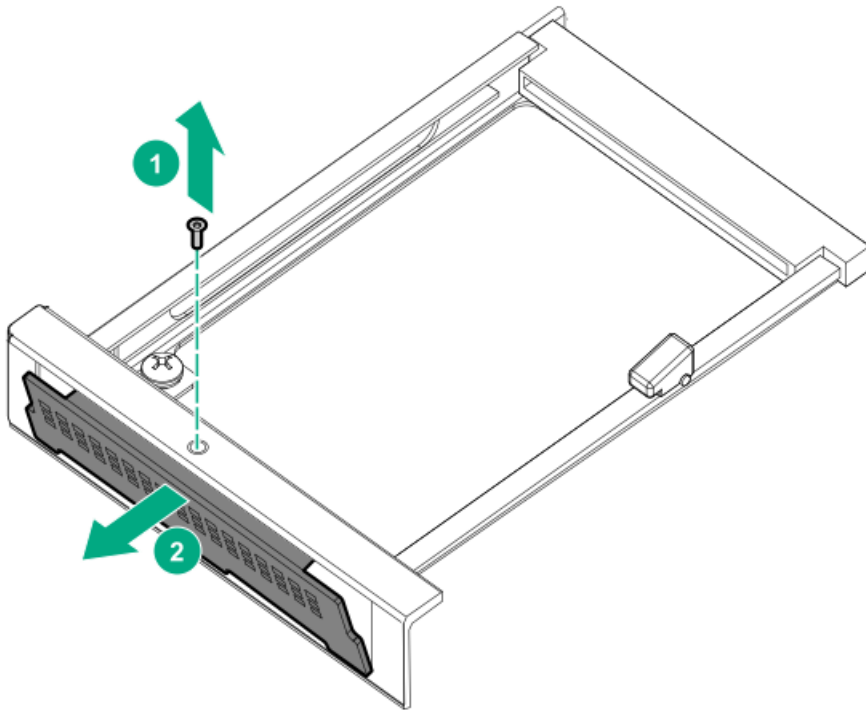
Before installing this option, be sure you that have the following:

- The components included with the hardware option kit
- T-10 Torx screwdriver

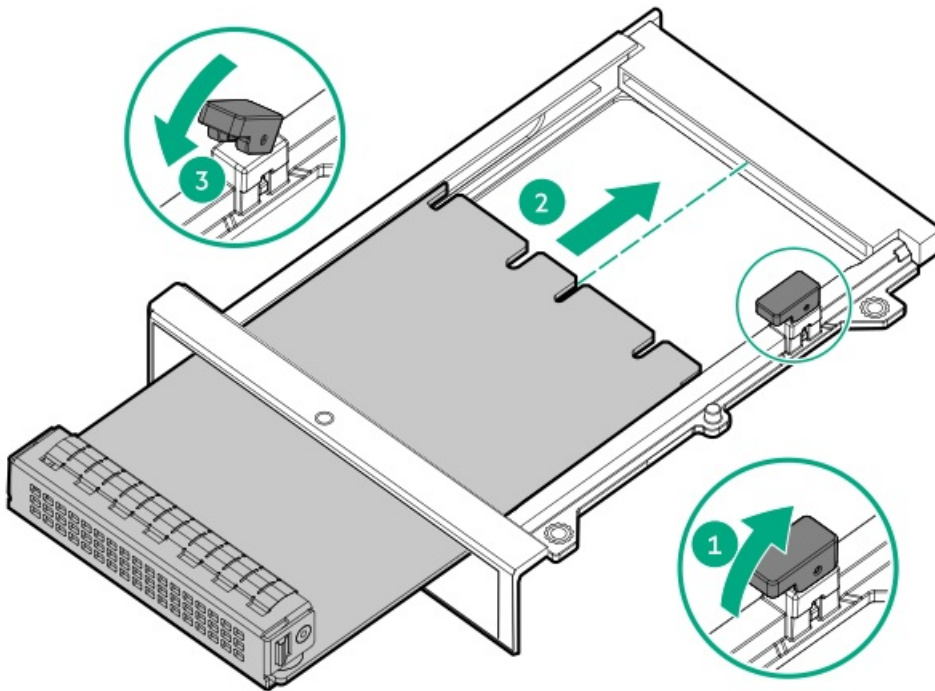
Procedure

1. [Power down the server.](#)
2. Remove all power:
 - a. Disconnect each power cord from the power source.
 - b. Disconnect each power cord from the server.
3. Do one of the following:
 - [Extend the server from the rack.](#)
 - [Remove the server from the rack.](#)
4. [Remove the access panel.](#)
5. Remove the rear wall blank or riser cage.
6. Remove the OCP adapter blank.





7. Install the storage controller.



8. Connect the cables.

9. Install the access panel.

10. Slide the server into the rack.

11. Connect each power cord to the server.

12. Connect each power cord to the power source.

13. Power up the server.



Installing a type-p storage controller

Prerequisites

Before you perform this procedure, make sure that you have the following items available:

The components included with the hardware option kit

About this task



WARNING: To reduce the risk of personal injury, electric shock, or damage to the equipment, remove the power cord to remove power from the server. The front panel Power On/Standby button does not shut off system power. Portions of the power supply and some internal circuitry remain active until AC power is removed.

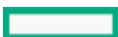


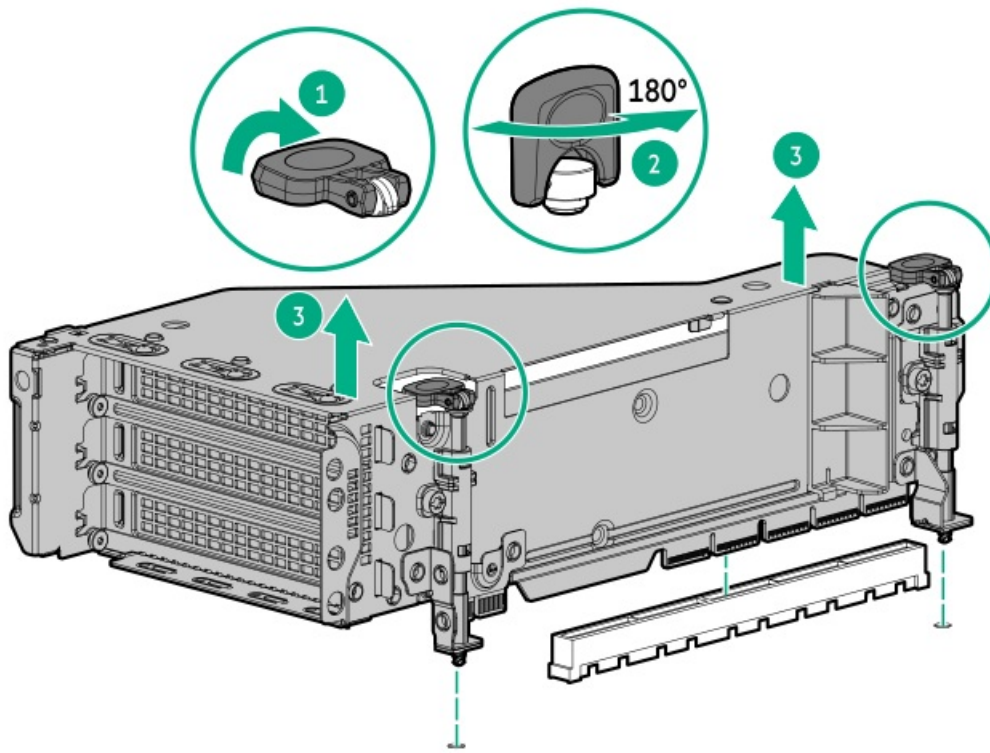
CAUTION: To prevent improper cooling or thermal damage, do not operate the server unless all PCI slots have either an expansion slot cover or an expansion board installed.

To install the component:

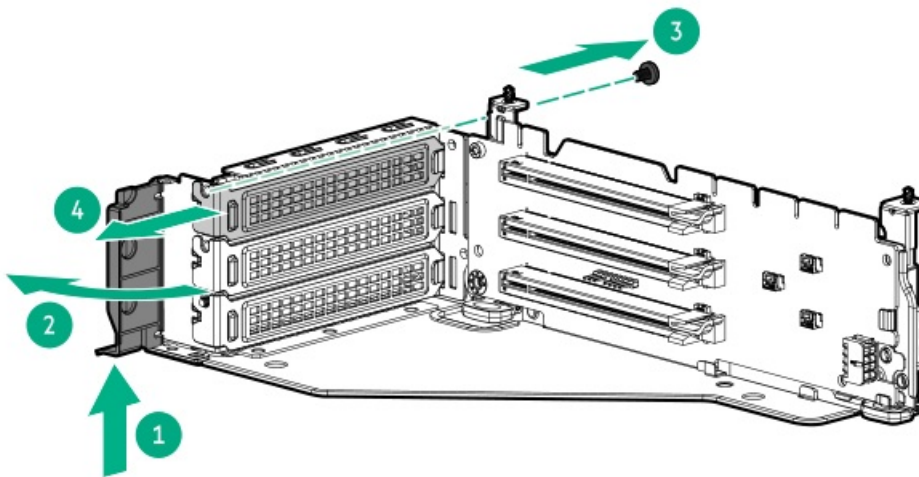
Procedure

1. Power down the server.
2. Remove all power:
 - a. Disconnect each power cord from the power source.
 - b. Disconnect each power cord from the server.
3. Do one of the following:
 - Extend the server from the rack.
 - Remove the server from the rack.
4. Remove the access panel.
5. Remove the riser cage.



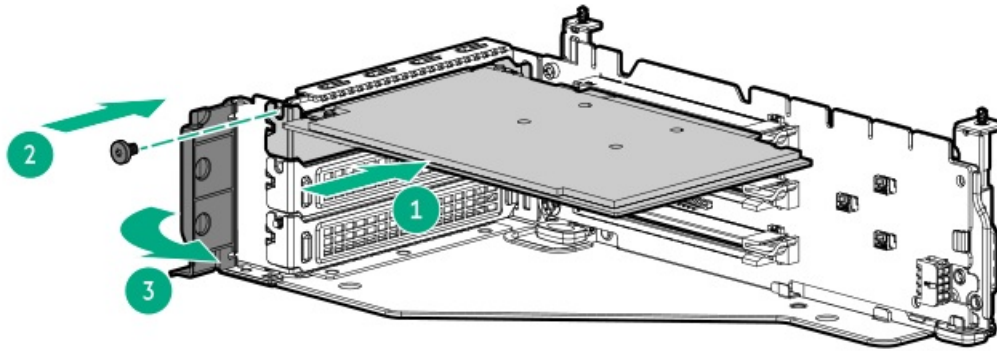


6. Identify and then remove the PCIe blank from the riser cage.

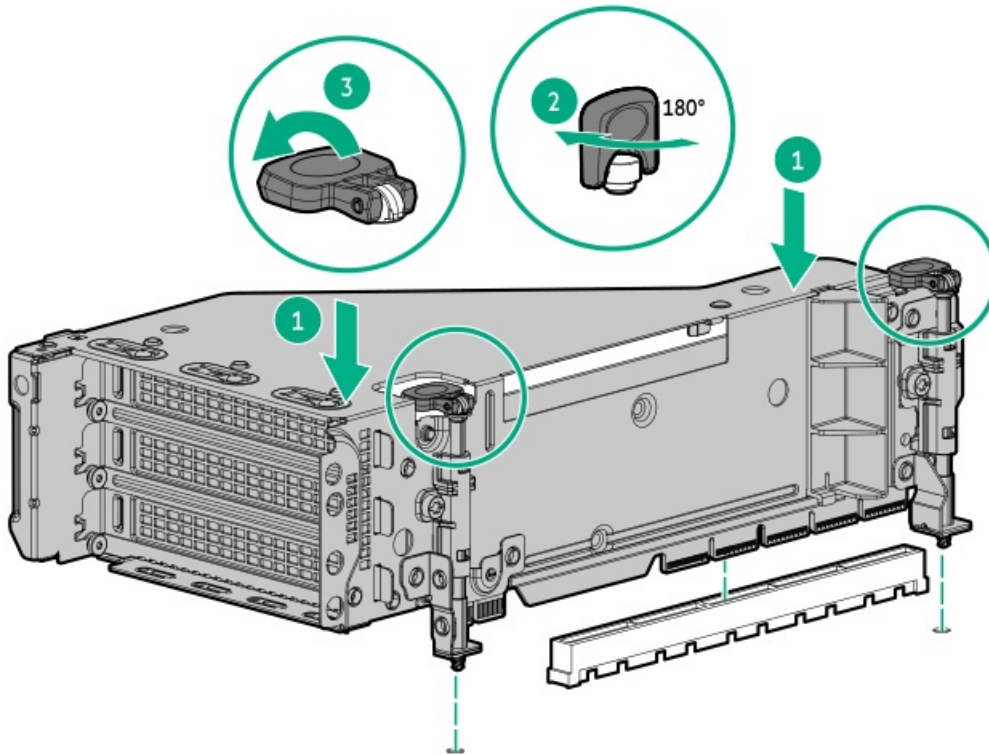


7. Install the expansion board.





8. If internal cables are required for the expansion board, connect the cables.
9. Install the riser cage.



10. Connect the cables.
11. Install the access panel.
12. Slide the server into the rack.
13. Connect each power cord to the server.
14. Connect each power cord to the power source.
15. Power up the server.

Results

The installation is complete.

