

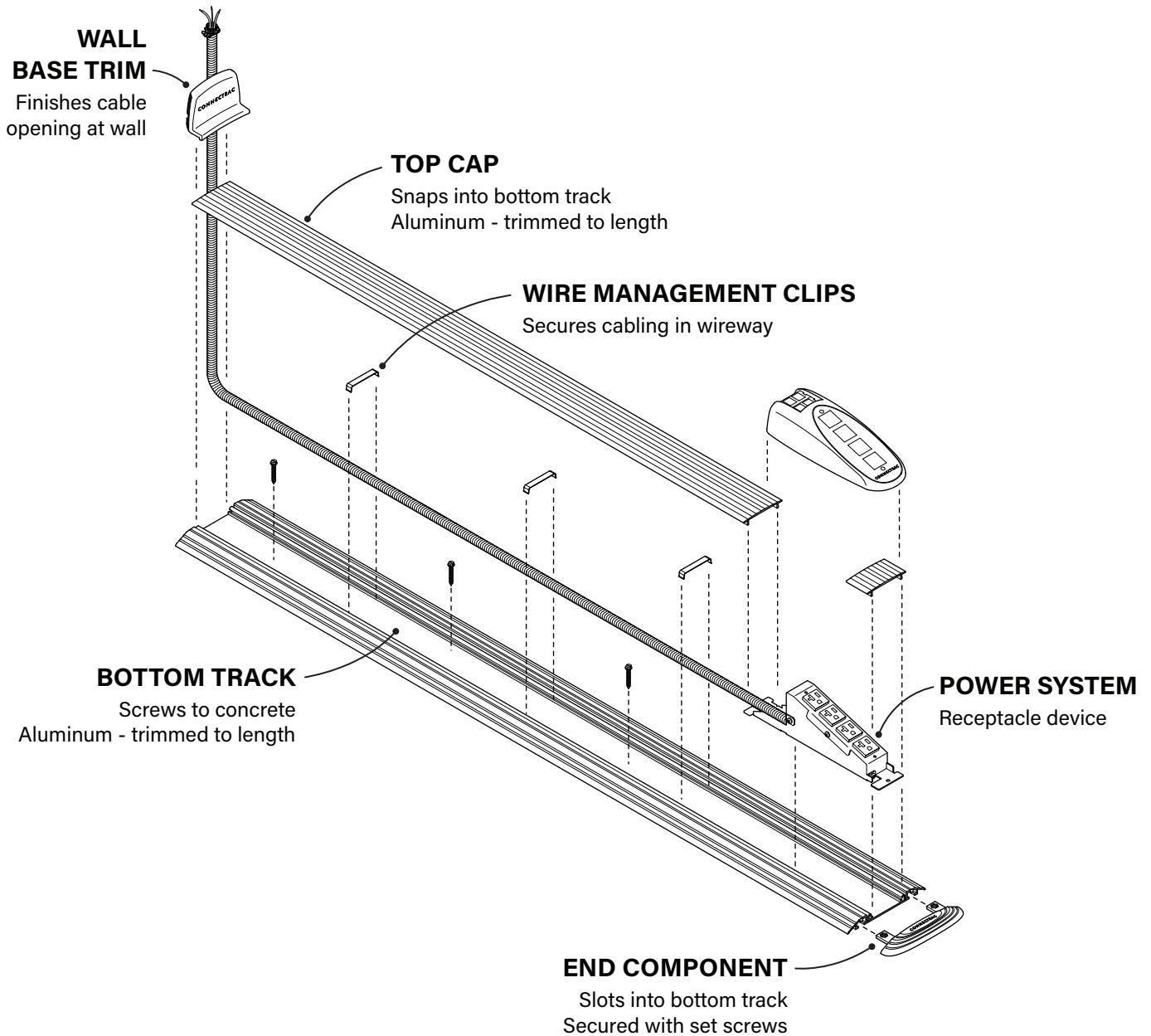
# INSTALLATION GUIDE

Instructions to install Express Kit on top of any flooring surface



# COMPONENTS

Typical for each wireway installation

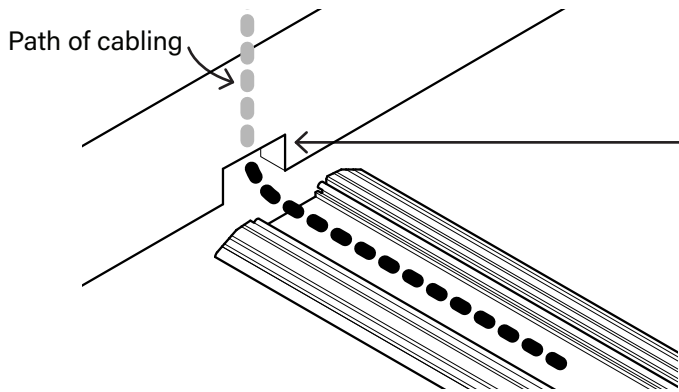


**QUESTIONS? CALL US AT 877.480.5637**

Overview Video available at:  
<https://vimeo.com/412915841>



# INSTALLATION IN 9 STEPS



1

## CUT A 1" x 2" HOLE IN WALL

This opens the path for cables to go from the wireway into the wall.

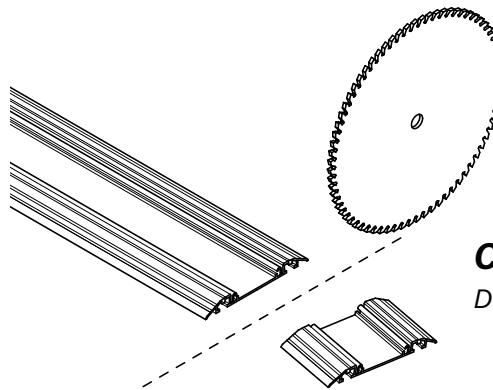
Also cut the steel stud track and flatten it.

2

## EVALUATE YOUR SPACE

If the length of your wireway fits into your space, proceed to Step 3.

As an option, the bottom track can be trimmed to whatever length you need by using an aluminum-cutting saw blade.



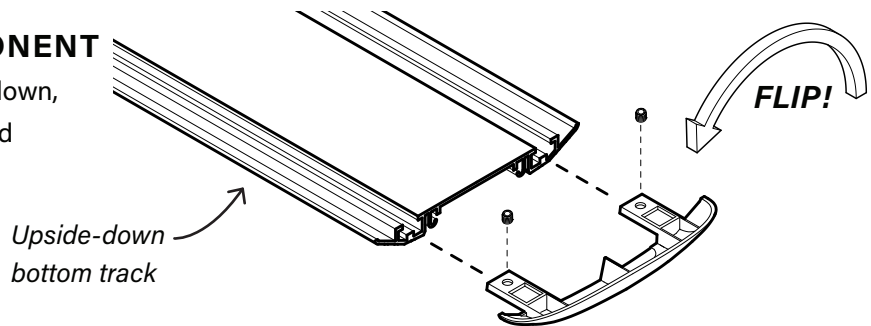
### CAUTION

Do not cut the top cap yet!

3

## ATTACH END COMPONENT

Flip the bottom track upside down, insert the end component, and tighten the set screws.



Upside-down bottom track

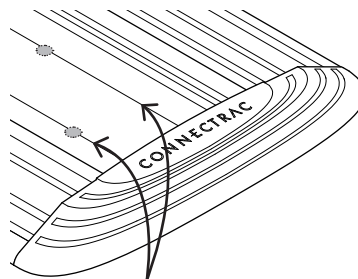
FLIP!

4

## PLAN FOR DEVICE & FASTEN DOWN TRACK

Measure where you will place the device (it can go anywhere in the wireway).

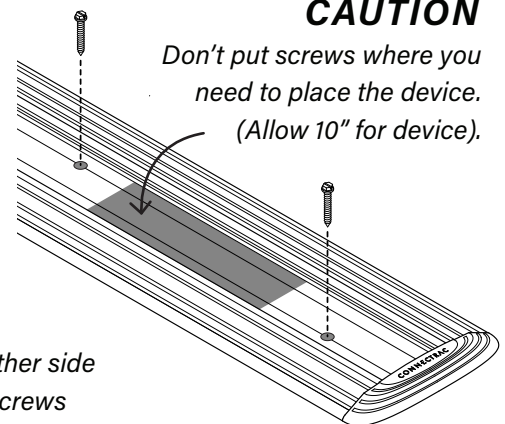
Screw the bottom track to the floor - we recommend staggering one screw every 18"-24".



You must use the grooves on either side of the bottom track to stagger screws

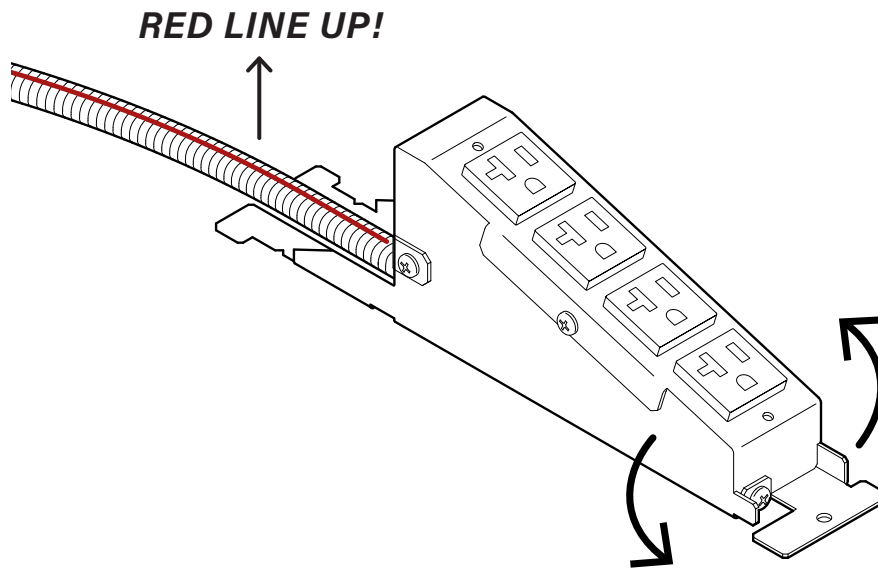
### CAUTION

Don't put screws where you need to place the device. (Allow 10" for device).



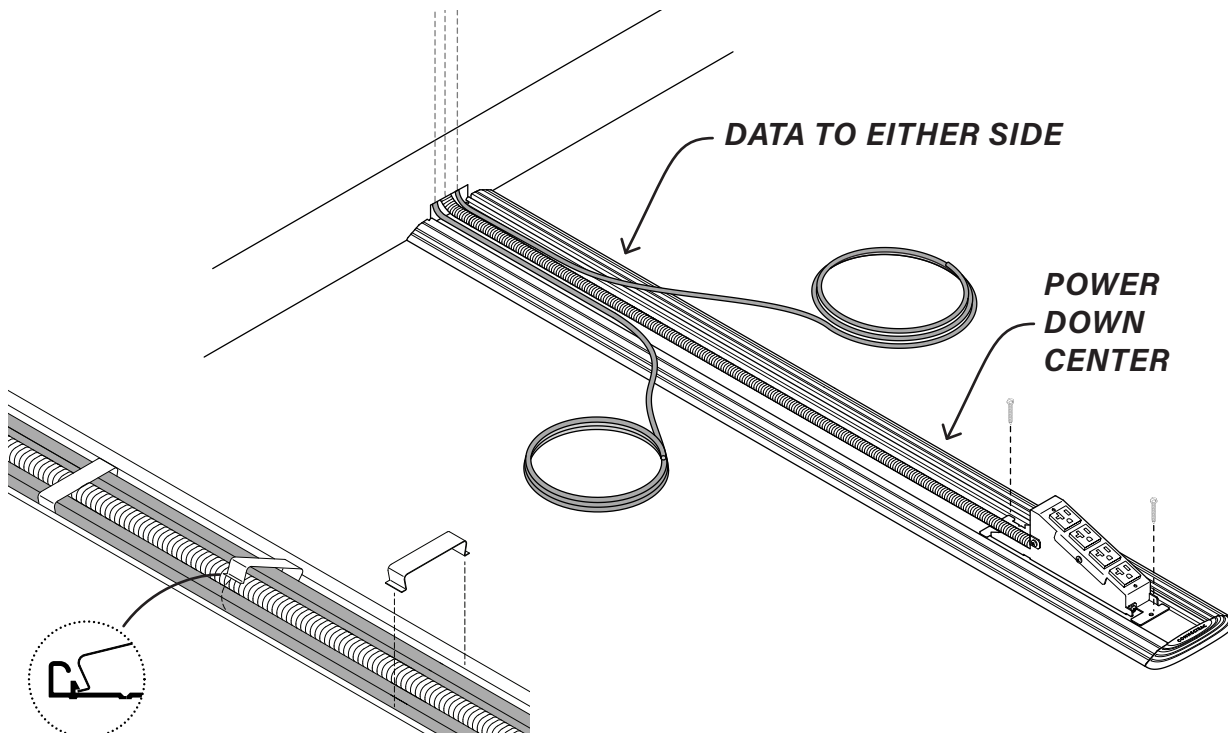
## 5 STRAIGHTEN AND FLATTEN CONDUIT

It's important to make sure the conduit is flat and not twisted inside the wireway so that the top cap fits appropriately. There is a red line marking the top of the conduit - make sure it's always facing up!



## 6 PLACE CABLING INTO WIREWAY

Once the pre-wired conduit is placed, lay the cables to each side of conduit.

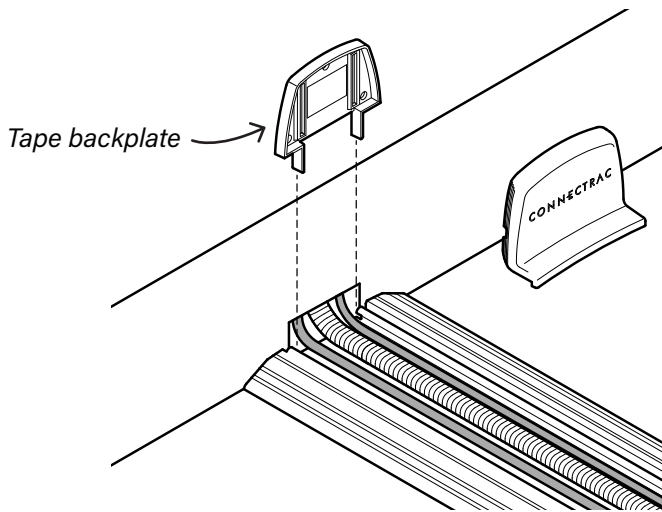


### WIRE MANAGEMENT CLIPS

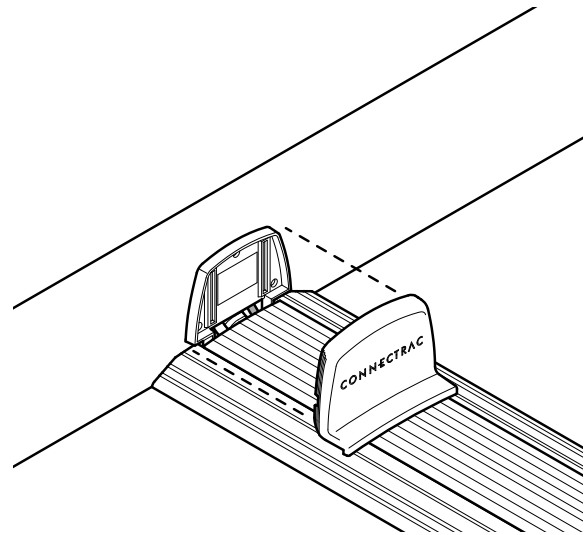
To protect cables and to make it easier to install the top cap, snap the clip into the grooves on both sides of the bottom track.

## 7 ABOUT THAT HOLE IN THE WALL

The Wall Base Trim covers it up:

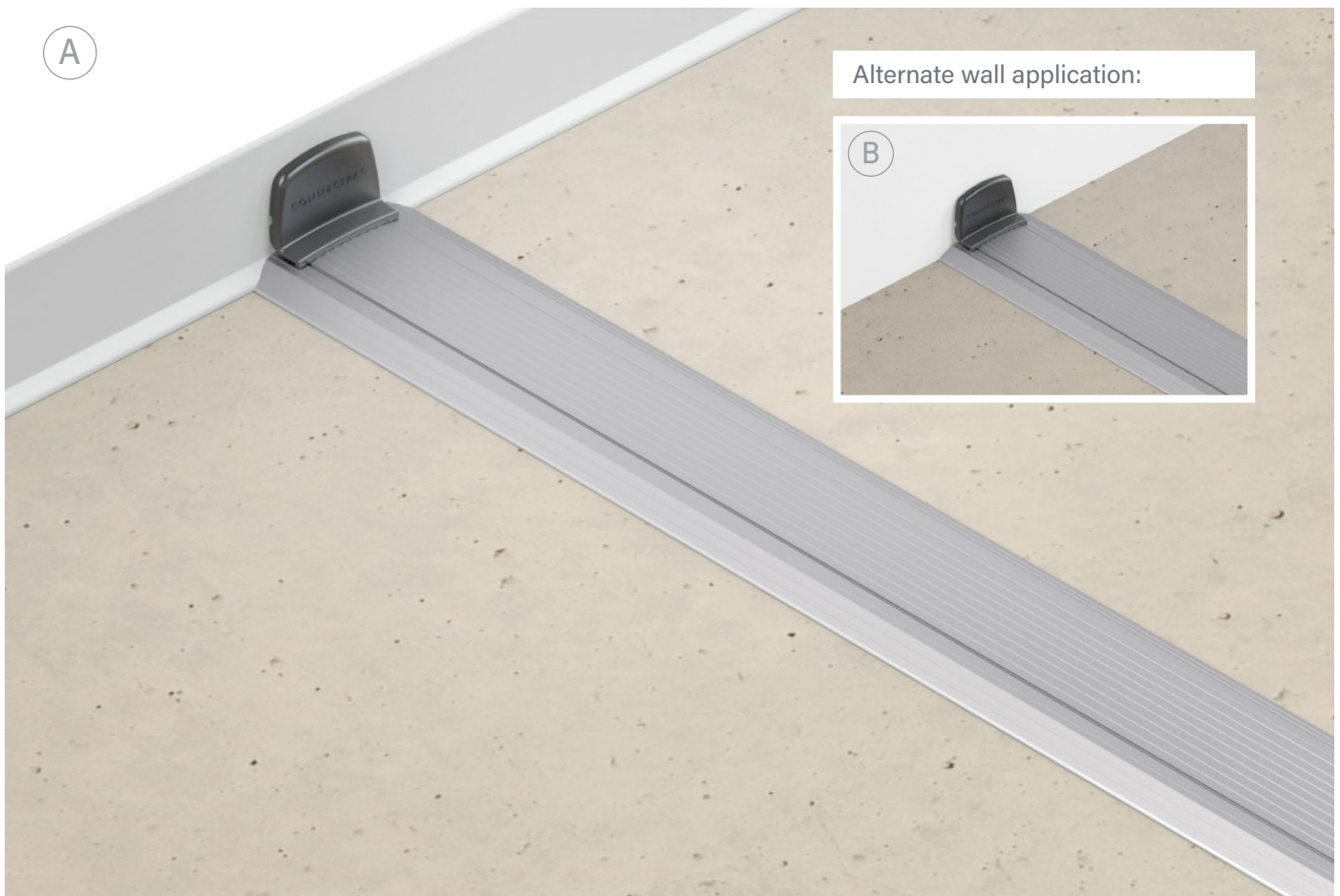


*Use mounting tape to stick the backplate against the wall base, making sure to align the legs in the aluminum bottom track. Use screws for additional support.*



*Set aside the frontplate until after the top cap is installed, then snap the frontplate onto the backplate.*

A



Alternate wall application:

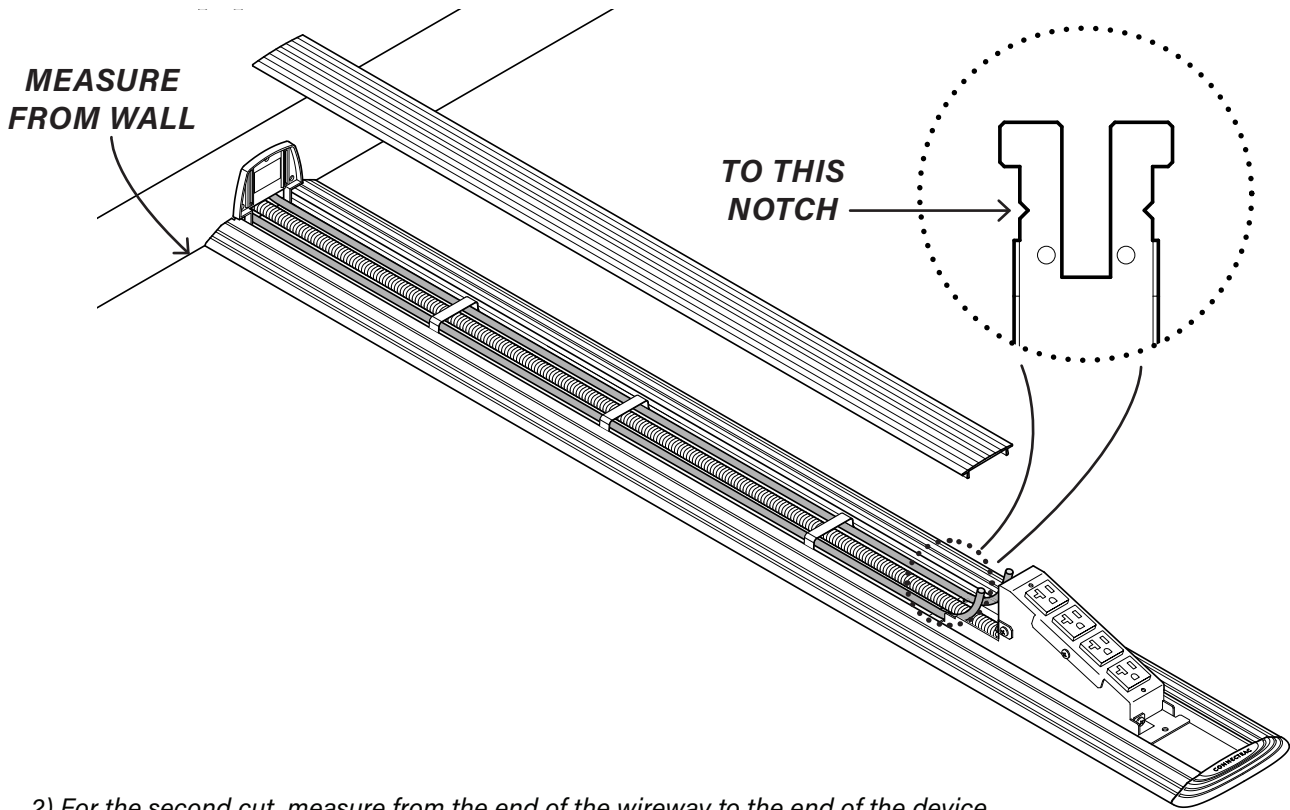


8

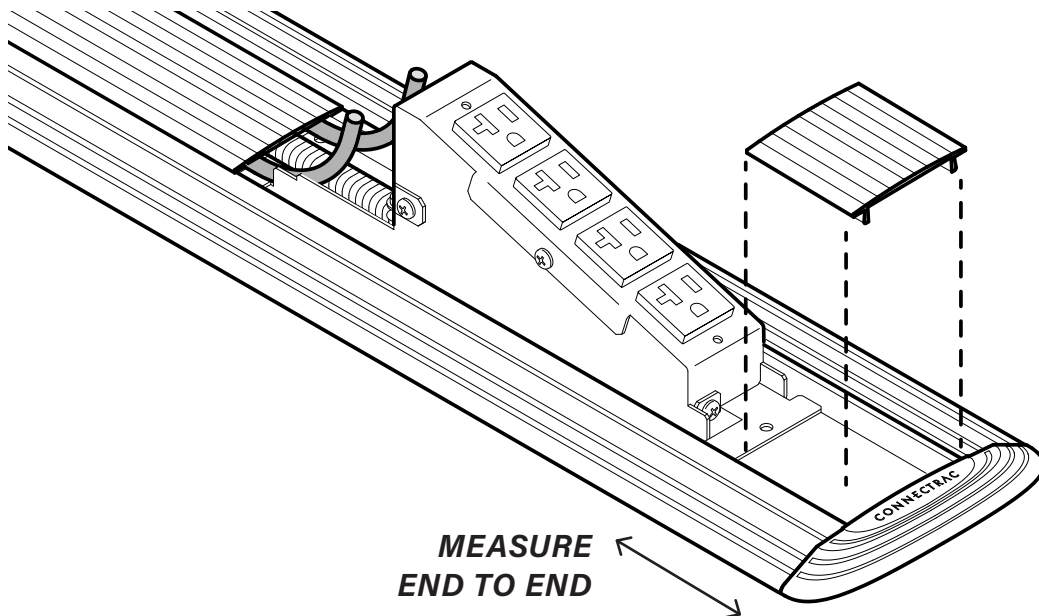
### INSTALLING THE WIREWAY TOP CAP

The top cap is designed to hold down the receptacle device without using screws. There will be 2 cuts in the top cap.

1) For the first cut, measure between the wall and the metal notch on the receptacle device.



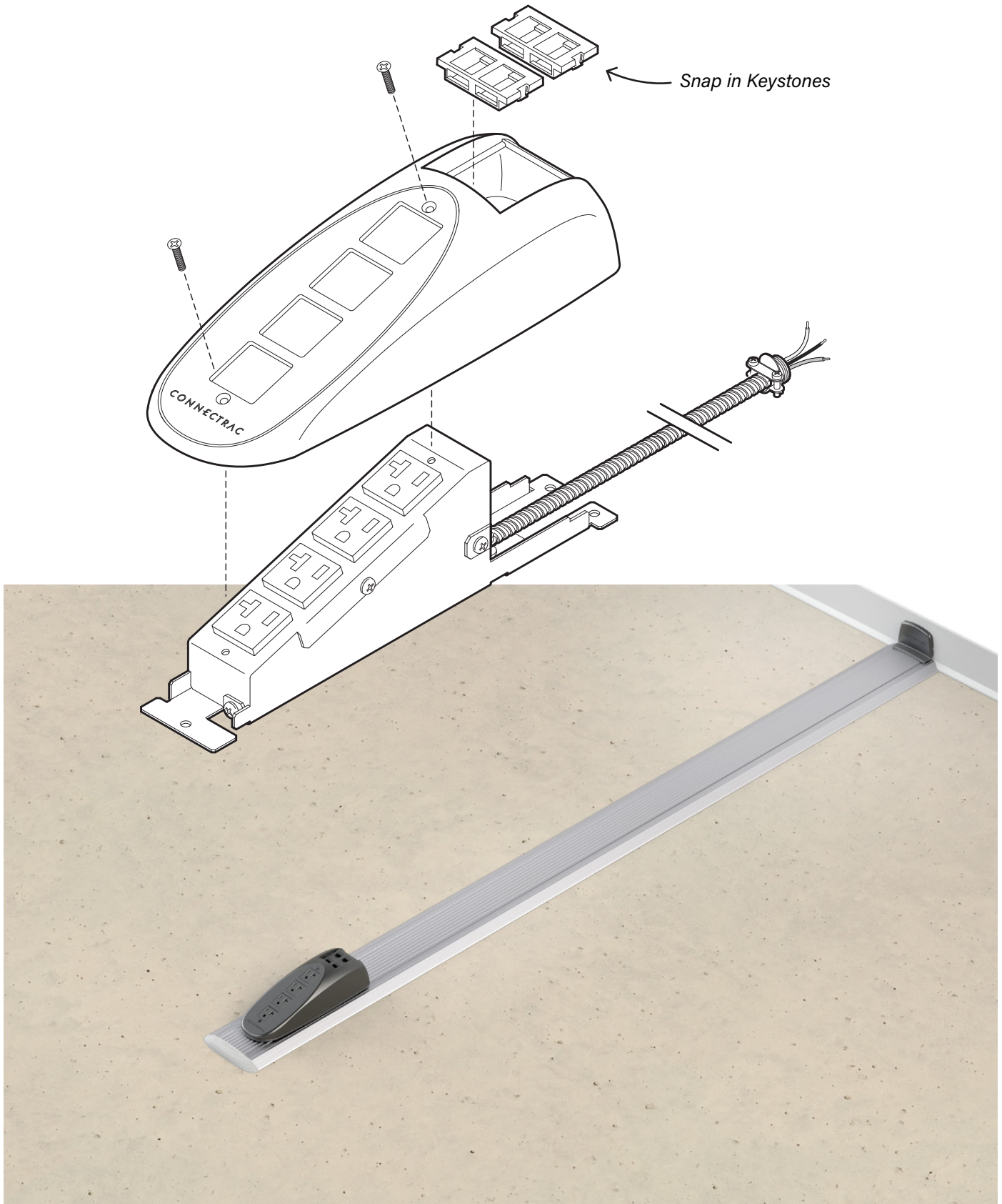
2) For the second cut, measure from the end of the wireway to the end of the device (minimum length 2"). Then snap those top cap pieces into your wireway.



9

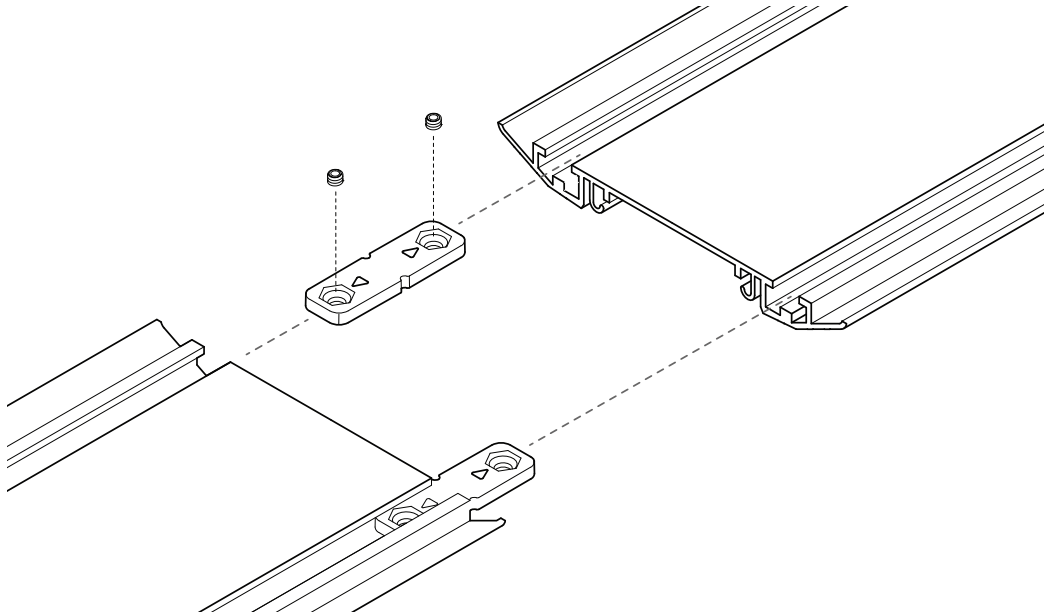
### INSTALLING RECEPTACLE DEVICE COVER

The last step is to terminate any data cabling, and attach the cover to the electrical device.



# HOW TO ADD A 6' EXTENSION

- 1 USE INCLUDED COUPLERS**  
Insert as shown, then tighten set screws.



- 2 STAGGER THE BOTTOM TRACK AND THE TOP CAP**  
Offset the bottom track joints from the top cap joints. This helps strengthen the assembly.

