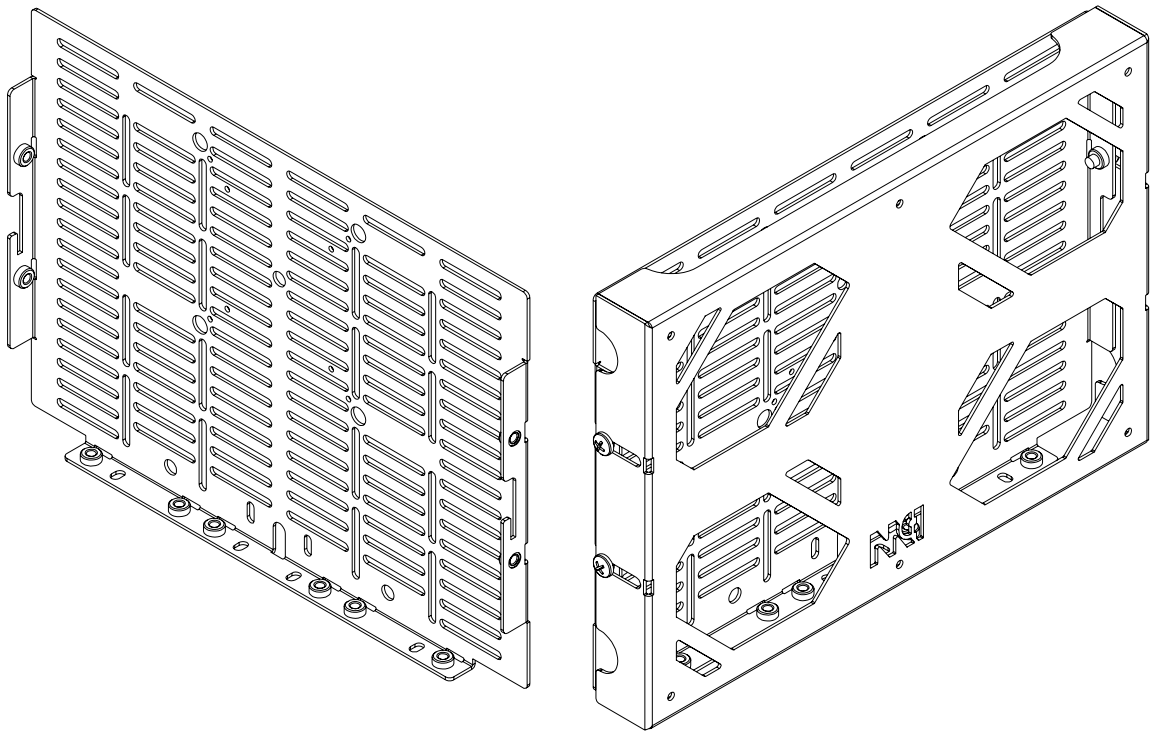


7170-1009
Installation Guide

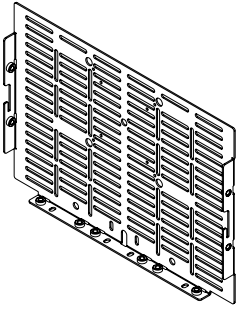
**Universal Media
Adapter**



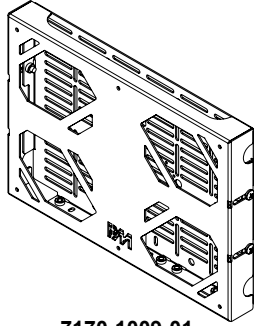


7170-1009 Installation Guide

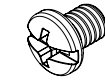
What's Included:



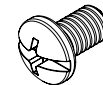
7170-1009-00



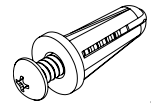
7170-1009-01



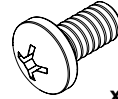
x4
M4 x 5mm
Pan Head



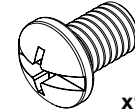
x2
M5 x 8mm
Pan Head



x4
#10 x 1" Wood Screw
w/ drywall anchors



x6
1/4"-20 x 1/2"
Pan Head

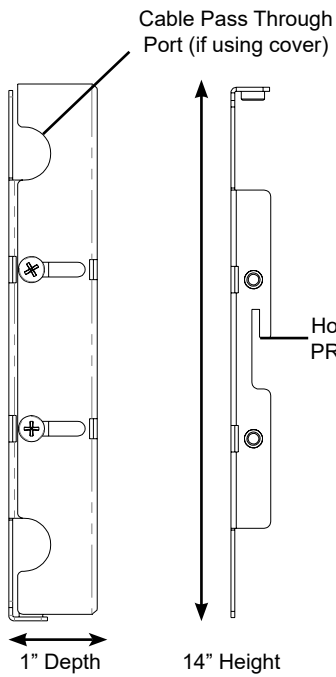


x1
M8 x 12mm
Pan Head

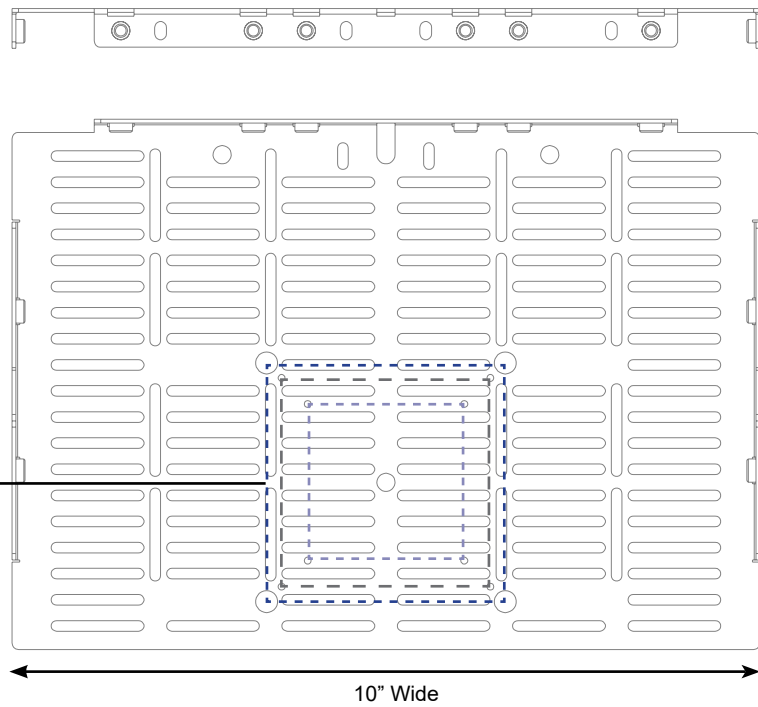


x8
Cable Ties

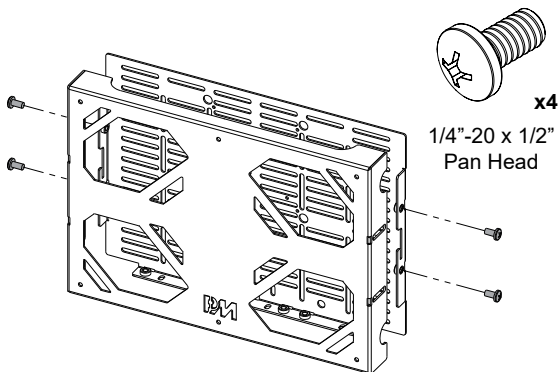
Key Features:



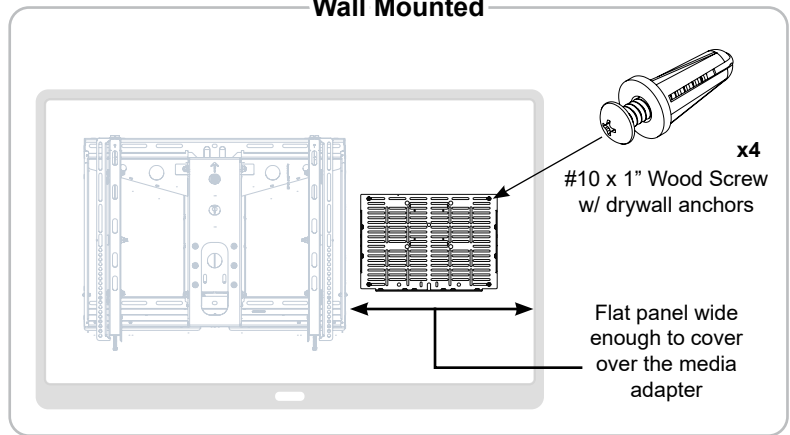
Bolt Pattern:
75 x 75
100 x 100
4.5" x 4.5"



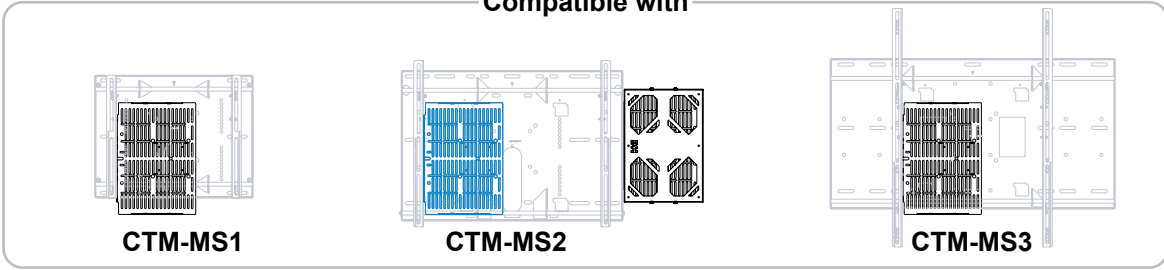
Optional Cover



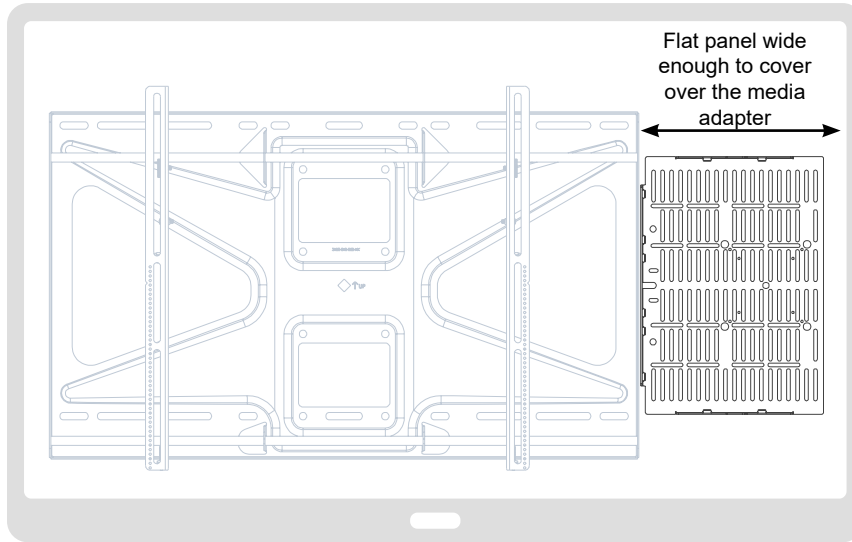
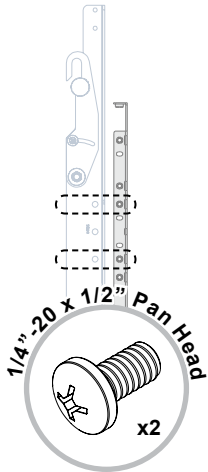
Wall Mounted



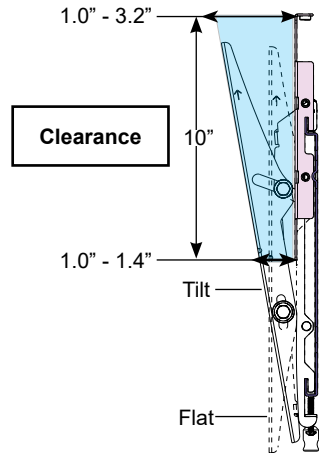
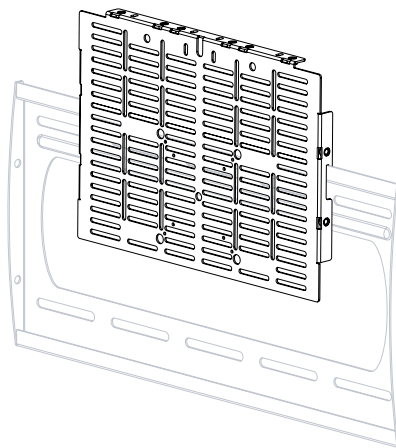
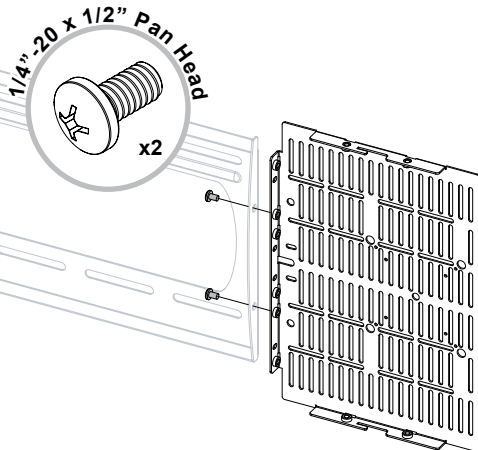
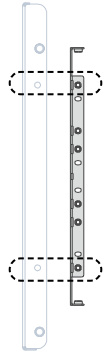
Compatible with



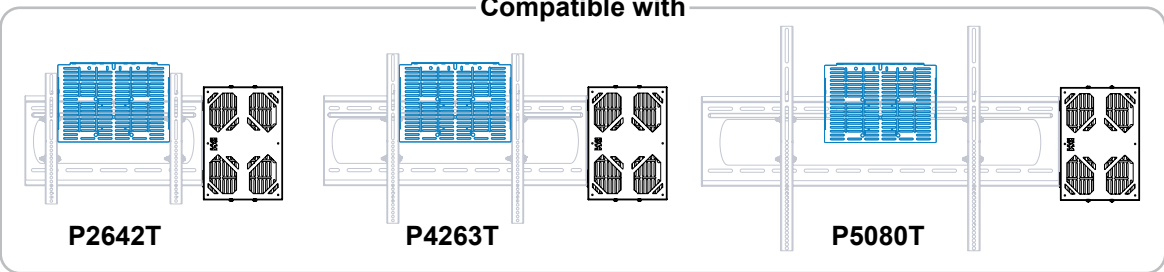
Mounting via Brackets

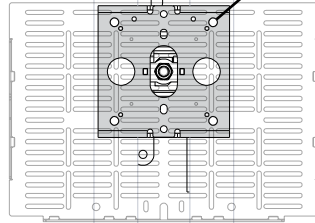
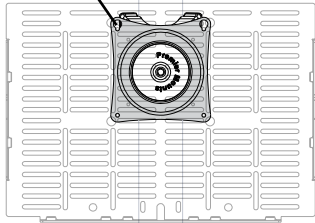


Mounting via Wall plate
CTM-MS2 only

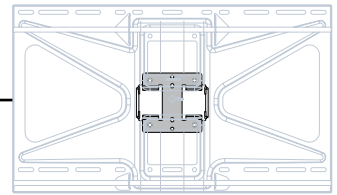


Compatible with

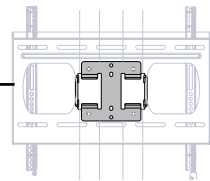




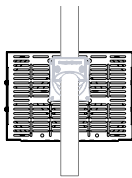
Back to Back



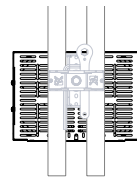
4.5" Bolt Pattern



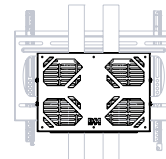
Compatible with



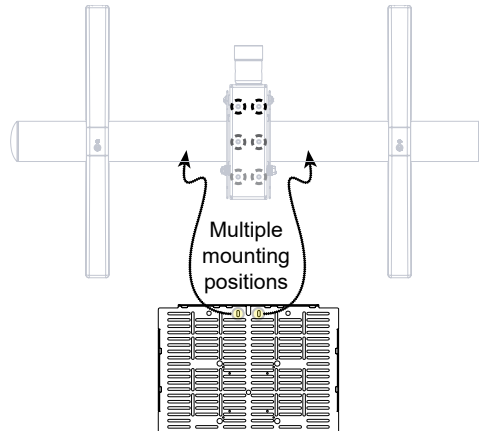
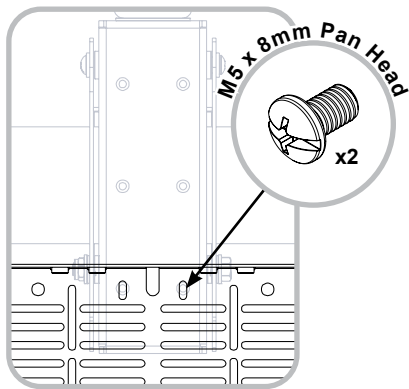
VPM



PSD-HDCA

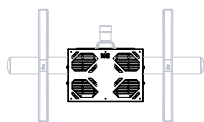


PSD-DPB

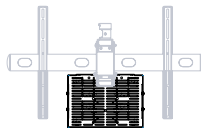


Multiple mounting positions

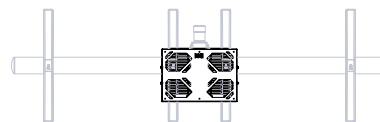
Compatible with



ECM-3763S



ECM-3763D



ECM-D70T



