

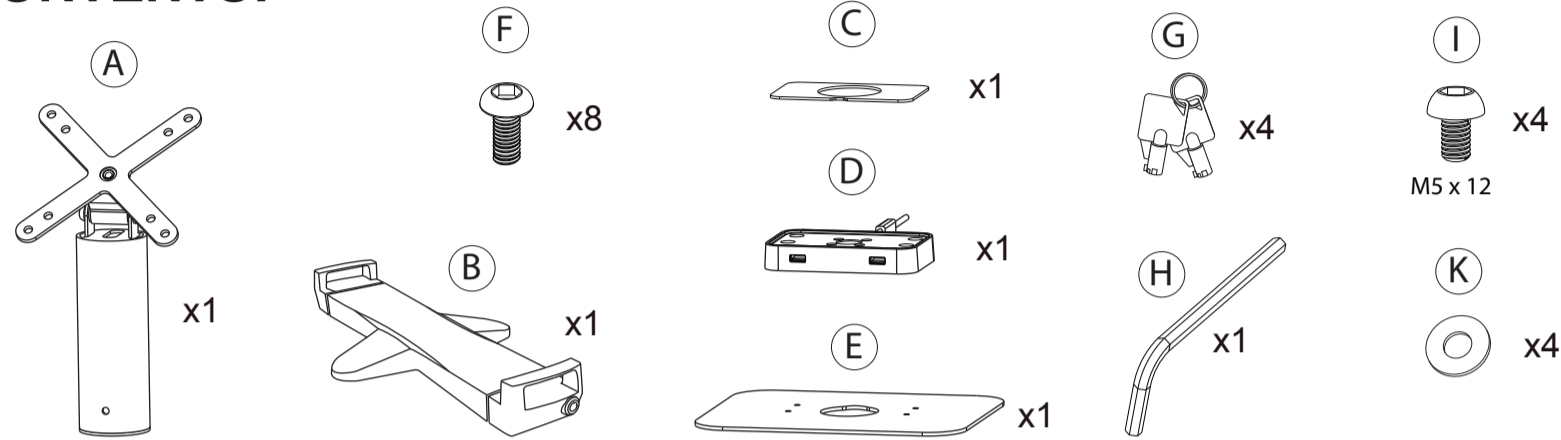


Security Desk Mount with USB Ports and Cable Routing

PAD-USBHSB

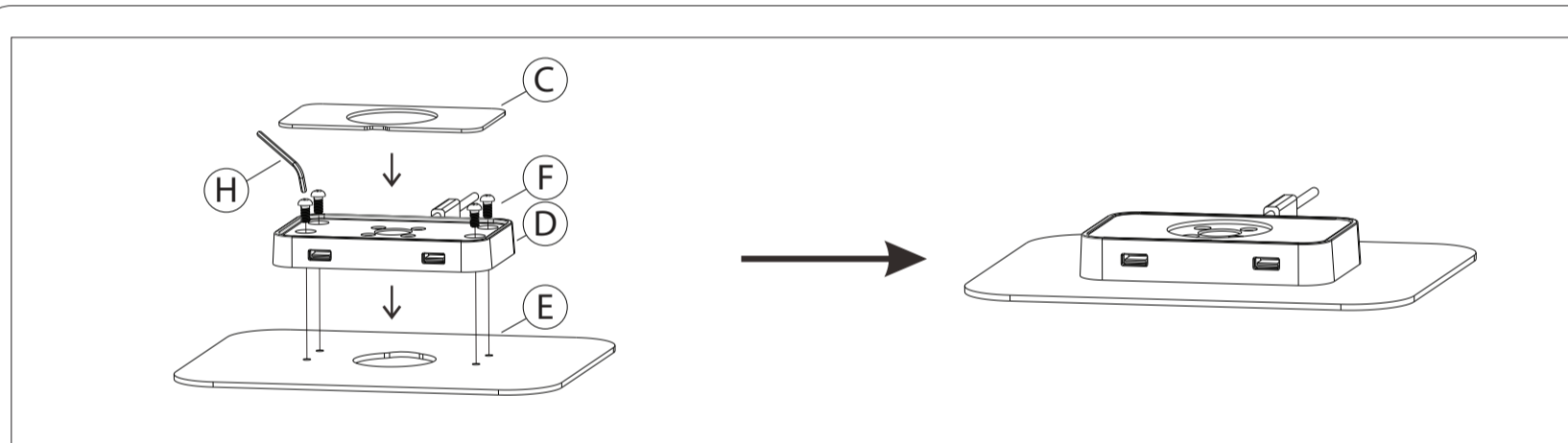
INSTALLATION - MANUAL

CONTENTS:



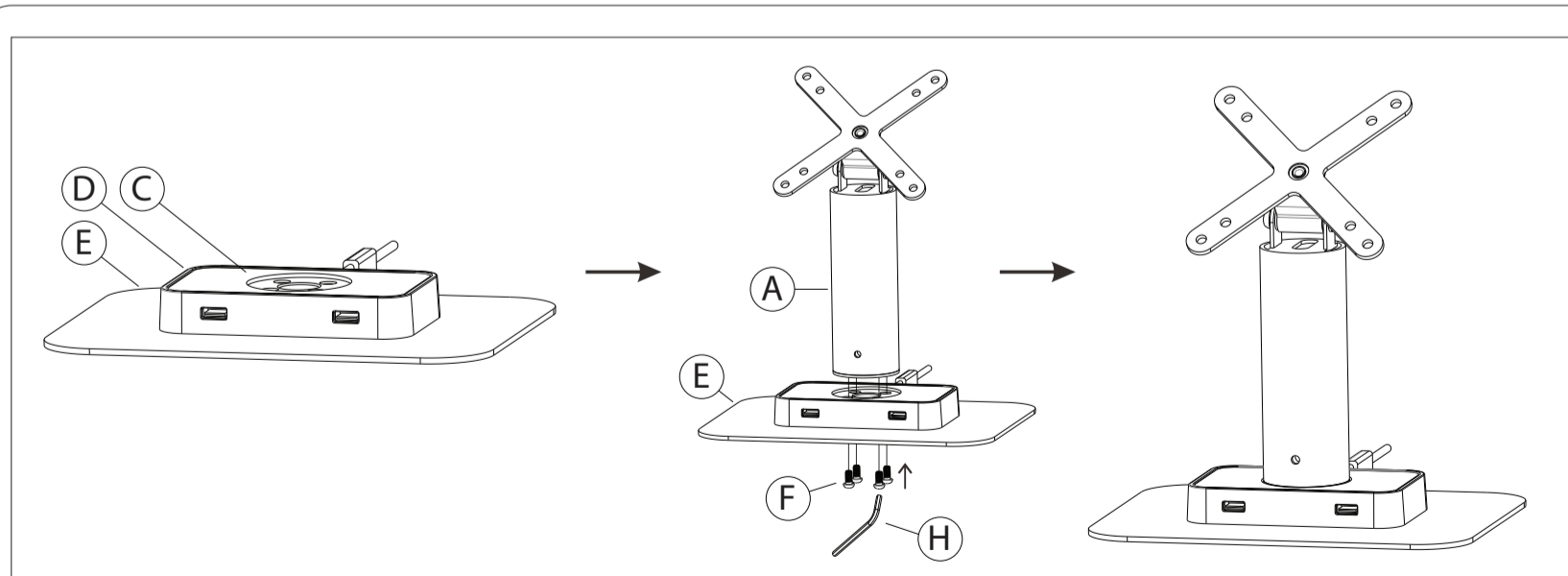
INSTALLATION:

1. Installing Desk Mount Base Platform Components



1A. Screw in USB platform (D) to the base (E) tightly using the component (F), and place the top cover (C) as shown above.

2. Installing Desk Mount Main Body



2A. Screw in the main kiosk body (A) to the assembled platform (C, D, E) with screws (F) from below using the provided allen tool (H) until securely tightened.

3. Mounting Holder to VESA Plate

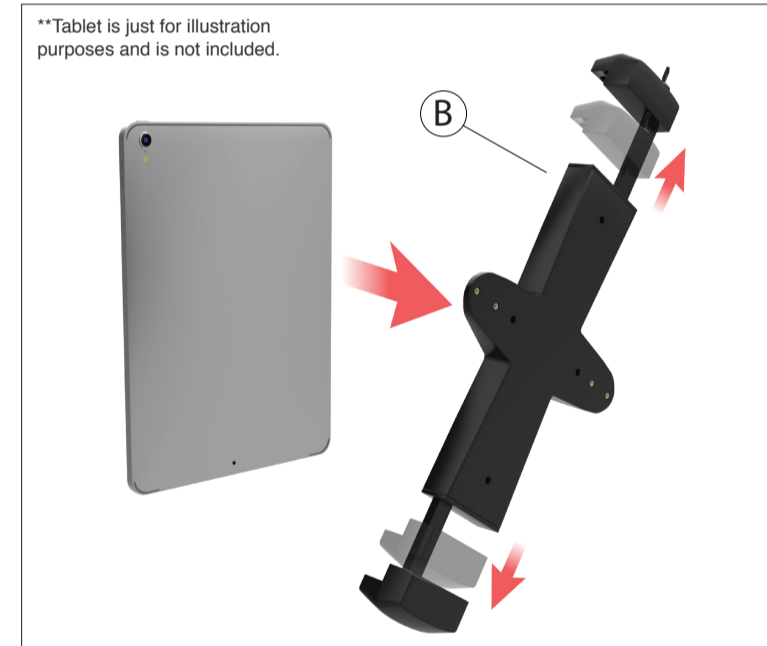


3A. Install holder (B) to VESA Base (A) by screwing in the provided screws (C) with washers (D) with the included allen key tool (H) as illustrated above.

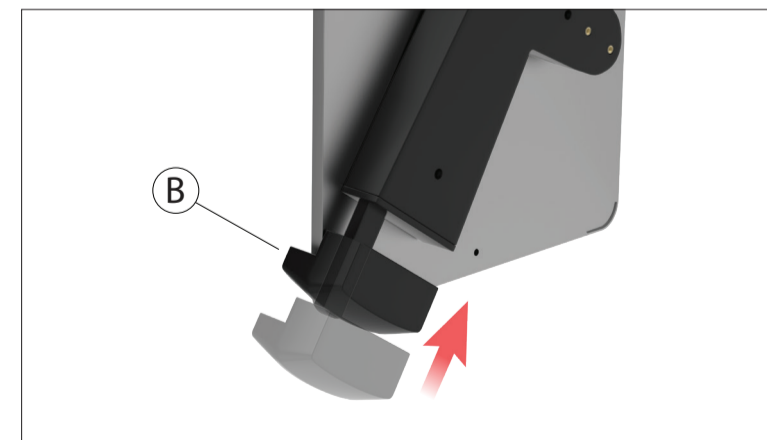


**Tablet is just for illustration purposes and is not included.

4. How to Fit Tablet into Holder

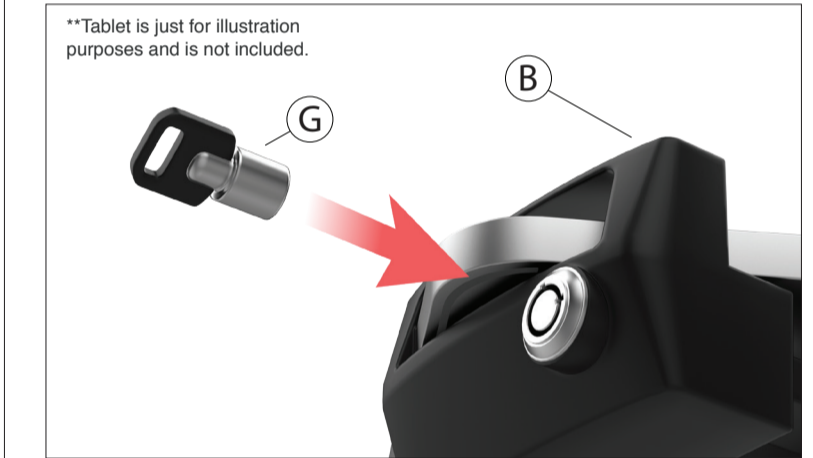


4A. Extend the tablet holder arms (A), and then insert tablet device into holder.



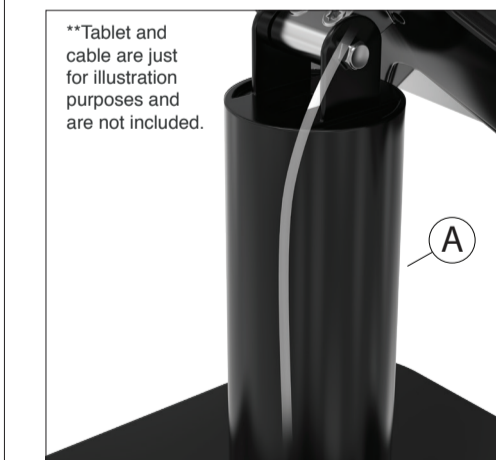
4B. Retract the tablet holder arms (A) to fit your tablet device.

5. How to Lock Holder



5A. Once the tablet device is in place, insert the key (G) and rotate it, then remove the key to keep the holder locked in place.

Cable Management



**Tablet and cable are just for illustration purposes and are not included.

Fish the cable wire through the top end of the kiosk body and out of the other end at the bottom of the base.