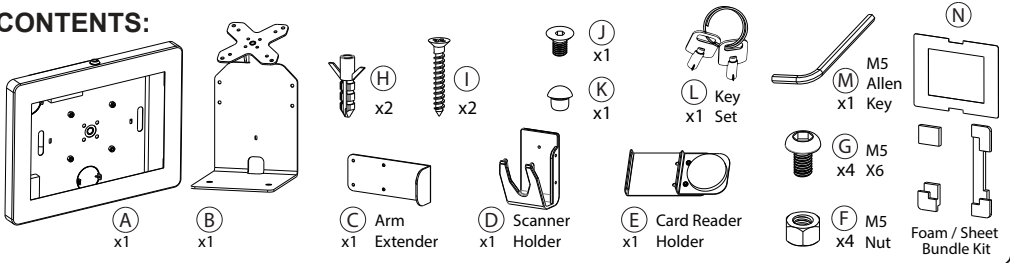




POS Station w/ Printer Stand, Magnetic Scanner Card Reader Holder & Universal Security Enclosure (White)

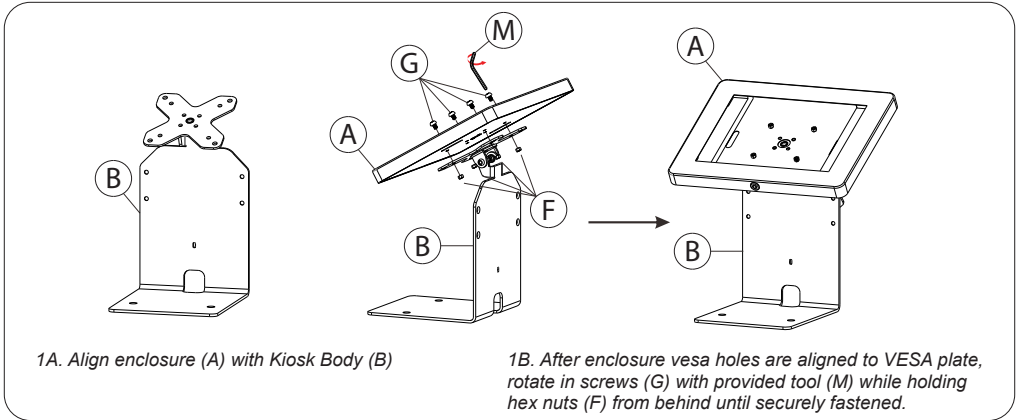
PAD-PARAPOSW
INSTALLATION - MANUAL

CONTENTS:

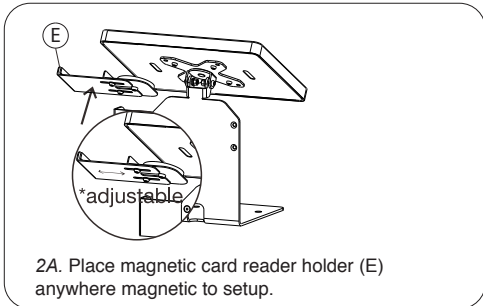


INSTALLATION:

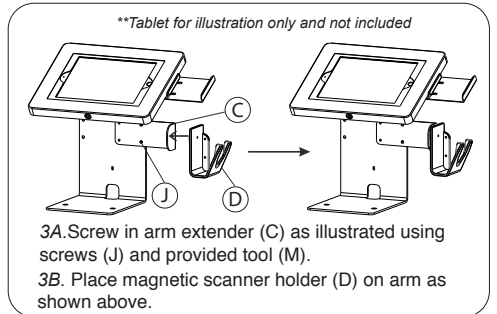
1. Installing the Enclosure :



2. Placing Magnetic Card Reader

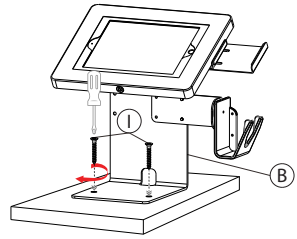
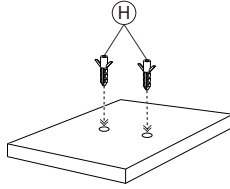
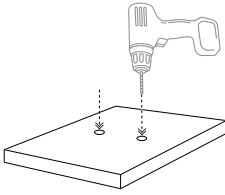


3. Placing Magnetic Scanner Holder



4. (Optional) Anchoring Base to Surface

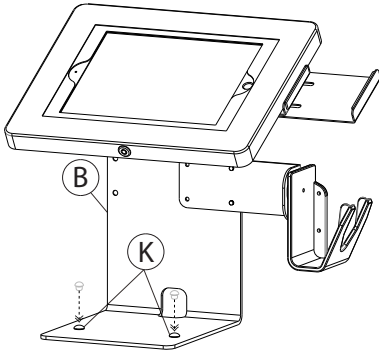
***Tablet and Powerdrill for illustration only and not included*



4A. Drill (2) holes into the surface using a power drill or like (not provided). Insert the plastic anchors (H) into the holes and then align the kiosk (A) holes with surface. Then take the screws (I) and rotate in with screwdriver (not included) until securely tightened.

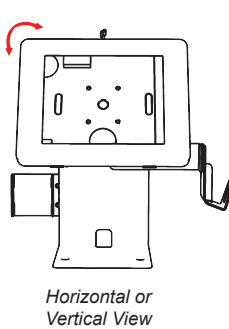
5. (Optional) Placing Hole Fillers

***Tablet for illustration only and not included*

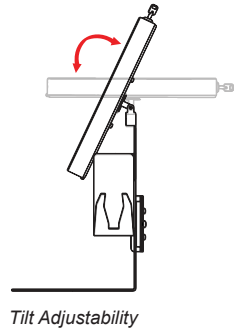


5A. If not anchoring into surface, use the (2) hole fillers (K) to plug in for a more seamless look.

View Angles and Orientation



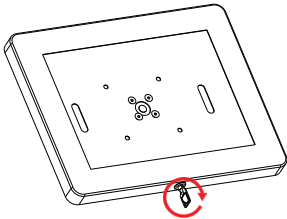
Horizontal or Vertical View



Tilt Adjustability

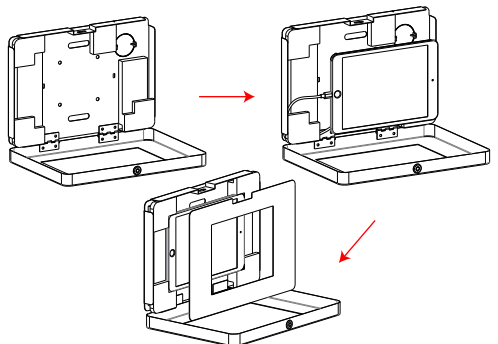
Tilt the enclosure as seen above for ideal viewing angle. Rotate 90 degrees for preferred portrait or landscape views.

Anti-Theft Enclosure Security



Place the key (L) in the enclosure to open up the enclosure. Rotate and remove to lock the enclosure.

Setting up Tablet Enclosure



Identify the foam / sheet bundle (N) in package. Select the corresponding pieces that will fit your device within the enclosure. Try them out until you find the correct fit.