

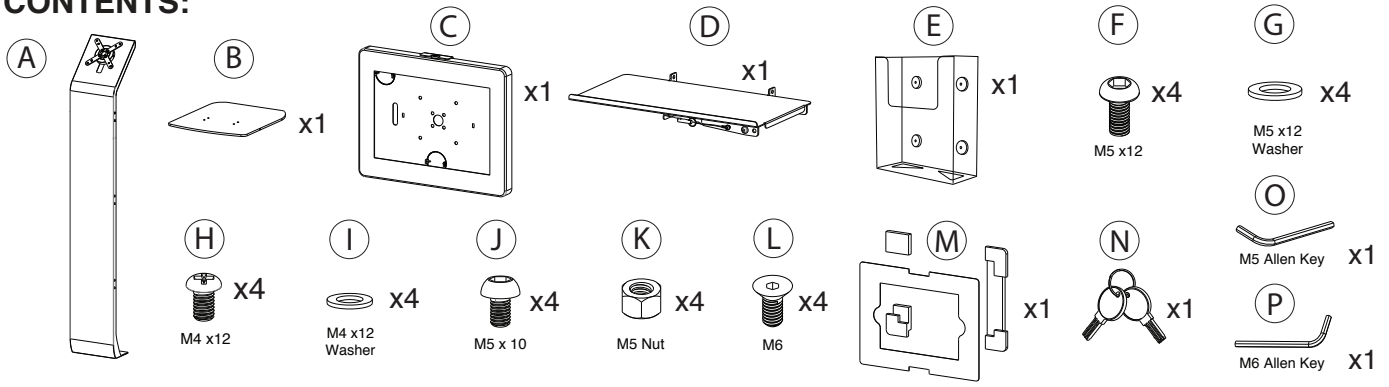


Premium Locking Floor Stand Kiosk w/ Universal Security Enclosure, Keyboard Tray and Storage Compartment (White)

PAD-PARAFWK

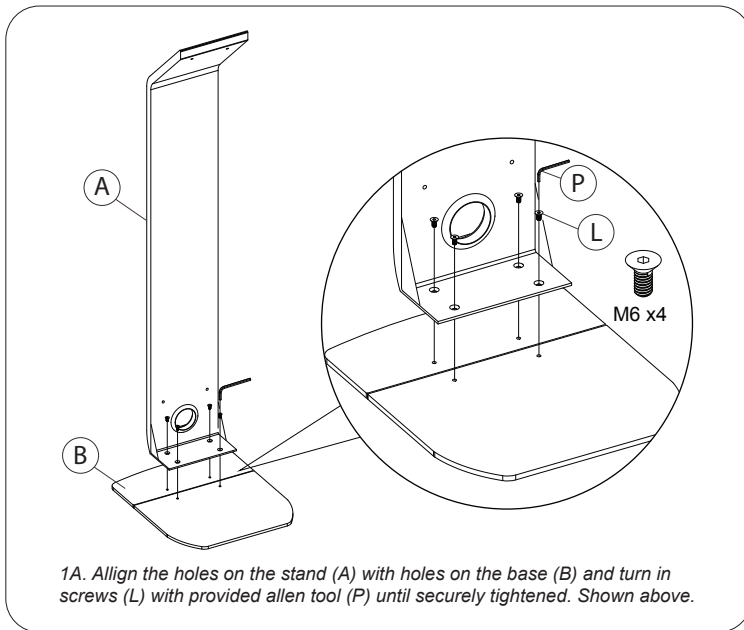
INSTRUCTION - MANUAL

CONTENTS:

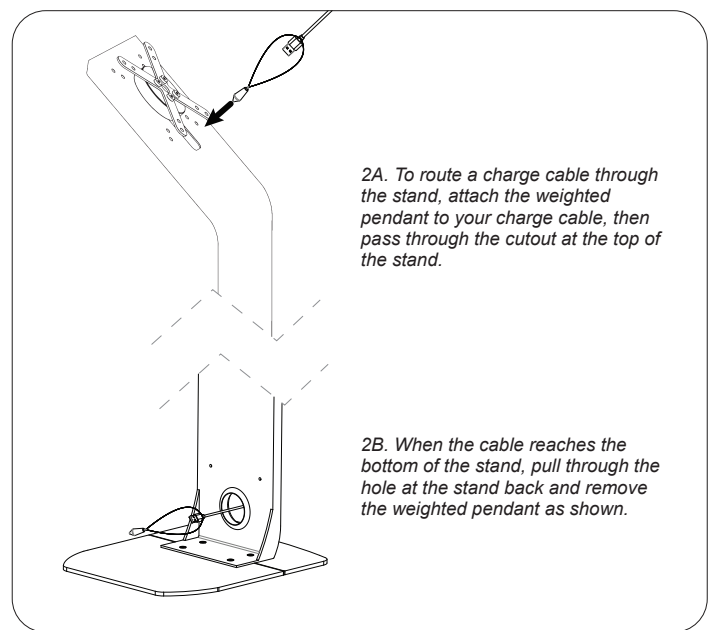


INSTALLATION:

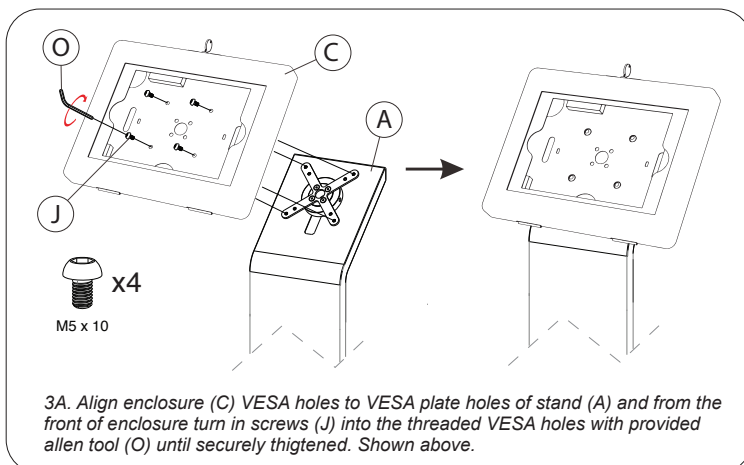
1. Assembling Stand Body to Base :



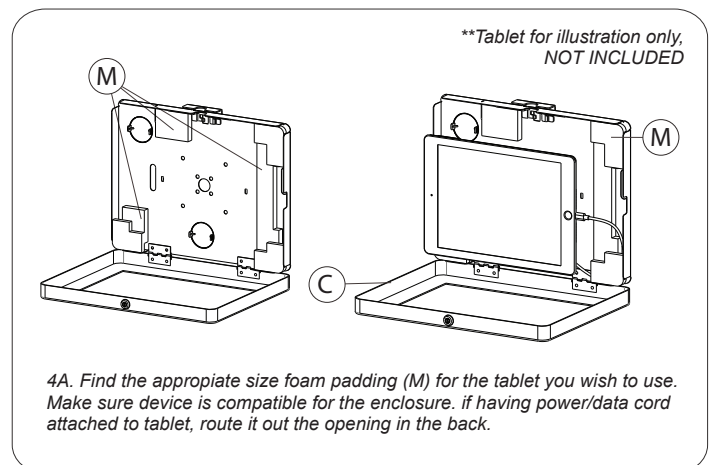
2. Cable Routing :



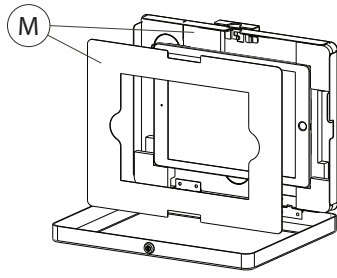
3. Assembling Enclosure to Stand :



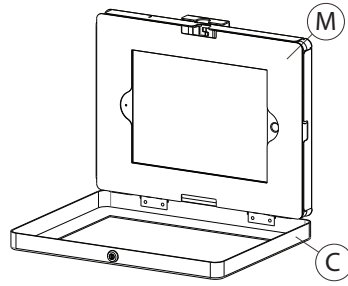
4. Inserting Tablet into Enclosure :



5. Optional - Placing Sheet Insert into Enclosure :



5A. Lay-in correct masking insert from bundle (M) as needed the correct fitted look for your device.

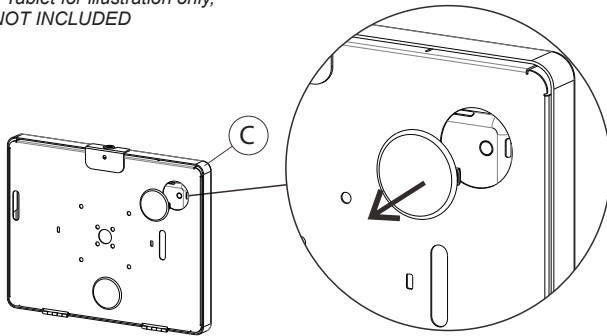


5B. Close and lock enclosure afterwards and you're set

**Tablet for illustration only, NOT INCLUDED

6. Removing Back covers :

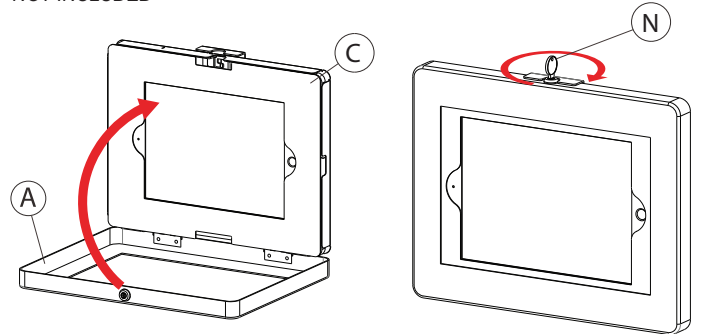
**Tablet for illustration only, NOT INCLUDED



6A. When installing device into enclosure (C), identify where the camera is. Then simply remove and pop out the cover prior to mounting or setting up tablet to properly expose camera.

7. Setting up Security :

**Tablet for illustration only, NOT INCLUDED



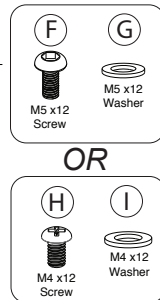
7A. Once the tablet device is set up, close the front lid of the enclosure (A).

7B. Insert the key (N) in the keyhole on top of enclosure, and turn clockwise to lock the enclosure in place.

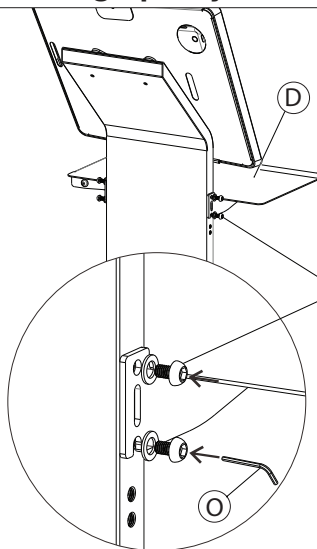
8. Setting up Keyboard Tray to Floor Stand :

**Tablet for illustration only, NOT INCLUDED

**There are two versions of the floor stand so both set of hardware have been included. One of the sets will be left unused.

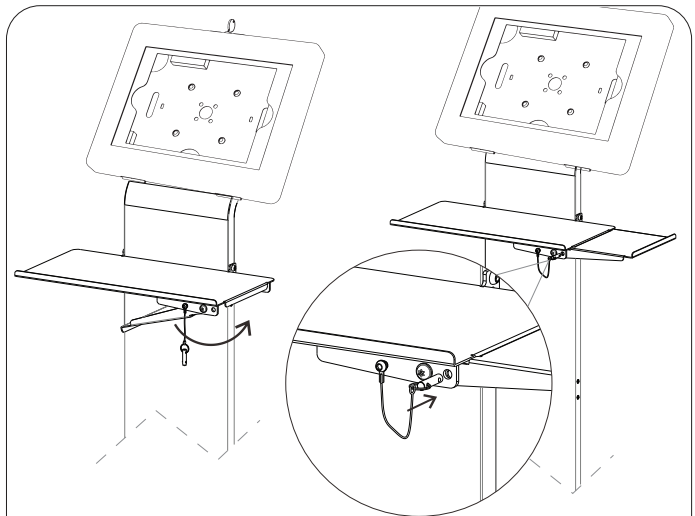


OR



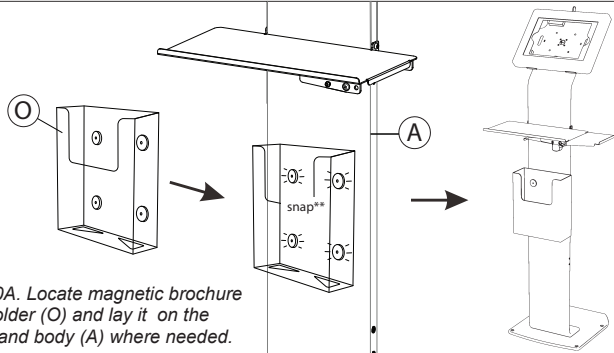
8A. Place keyboard tray (D) on the side holes of stand at desired height and turn in Screws and washers (F,G or H,I) with the provided allen tool (O) until securely tightened. Shown above.

9. Expanding or Stowing Tray Extension



9A. If not extended, find the tray extension on the underneath of the main tray body. Firmly adjust and fold out tray extension. Insert metal rod component into hole as shown to securely lock extension piece in place. When stowing away, you need to remove rod first, then fold up by rotating around the joint.

10. Mounting Magnetic Brochure Holder :



10A. Locate magnetic brochure holder (O) and lay it on the stand body (A) where needed.

11. Portrait or Landscape :



11A. Enclosure can be oriented in vertical and horizontal positions as needed. Shown above.