

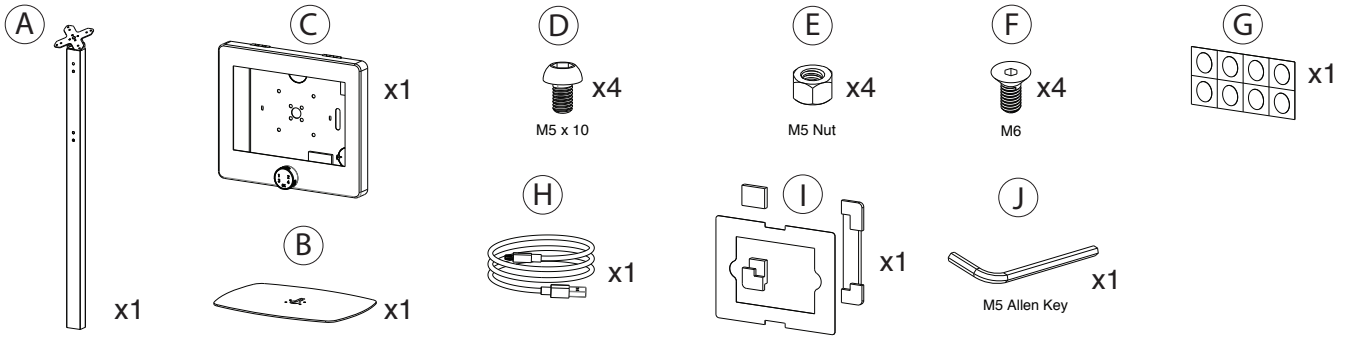


Premium Thin Profile Floor Stand w/ Digital Password Combination Security Enclosure

PAD-CHKWDC

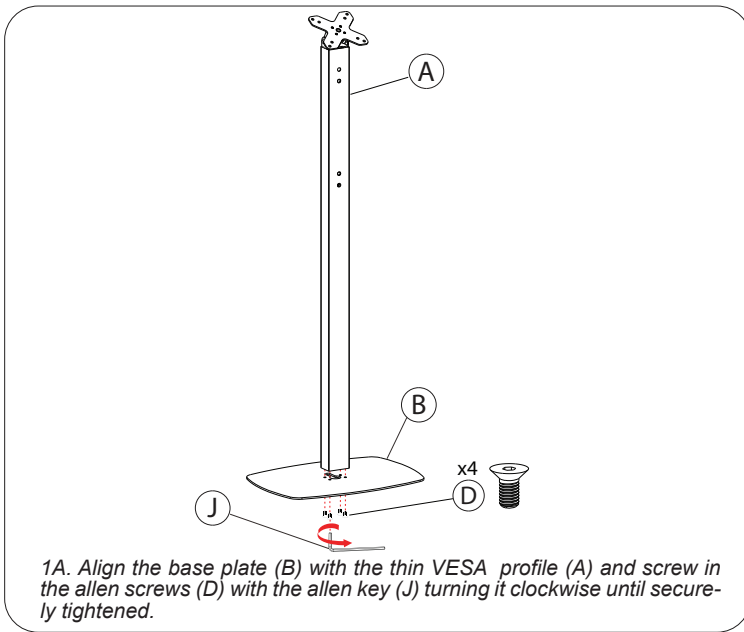
INSTRUCTION - MANUAL

CONTENTS:

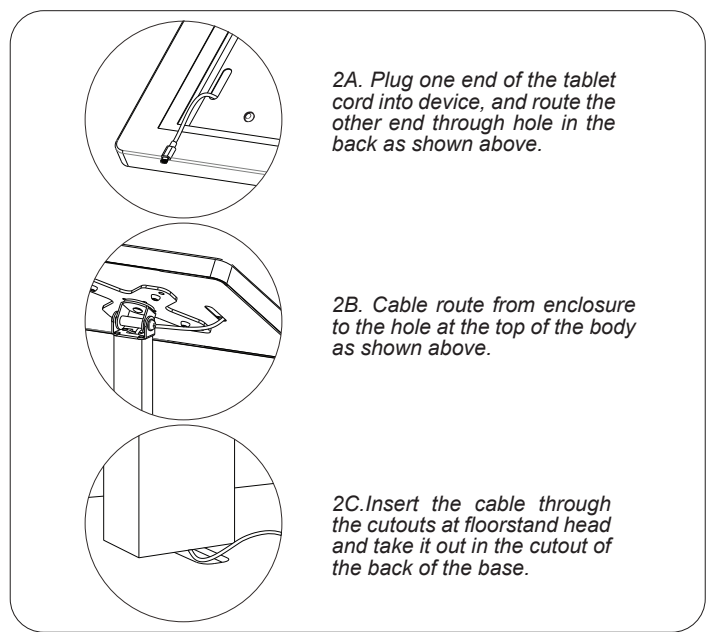


INSTALLATION:

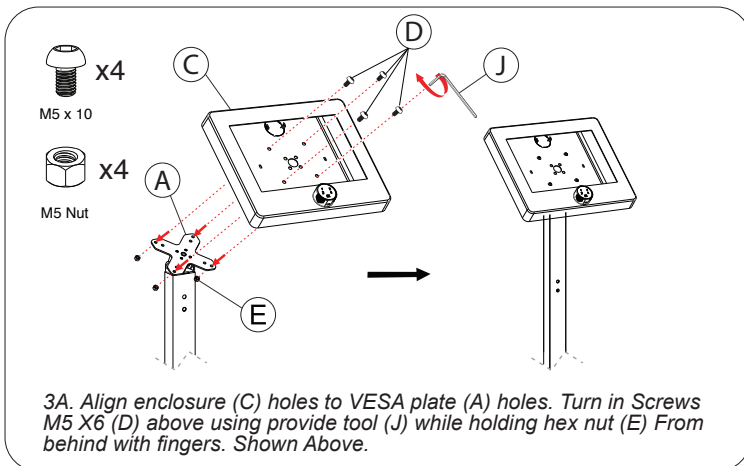
1. Assembling floorstand base :



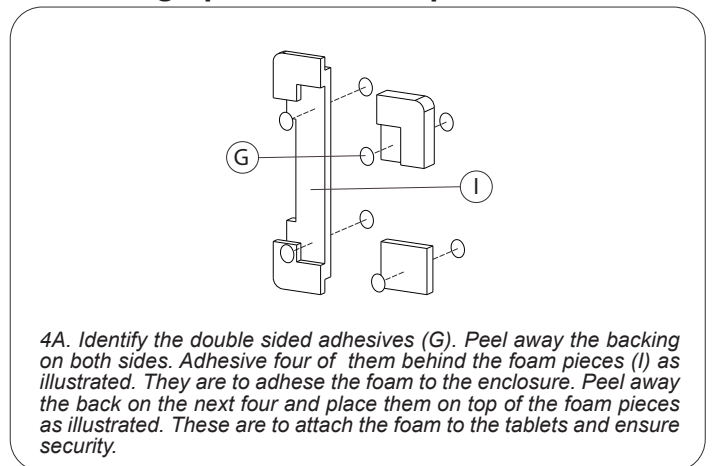
2. Cable routing :



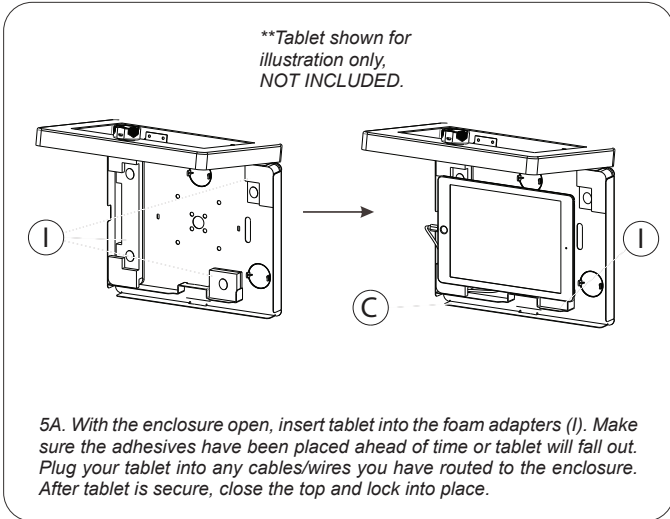
3. Attaching enclosure to VESA plate :



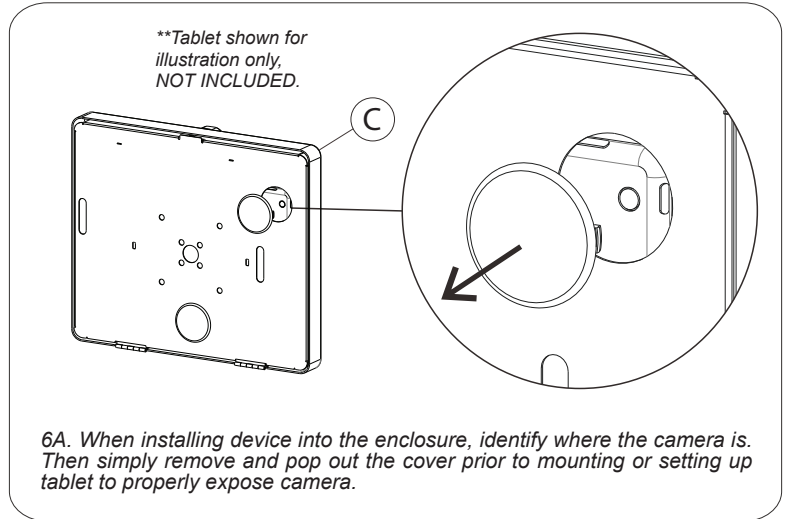
4. Setting up the foam adapters :



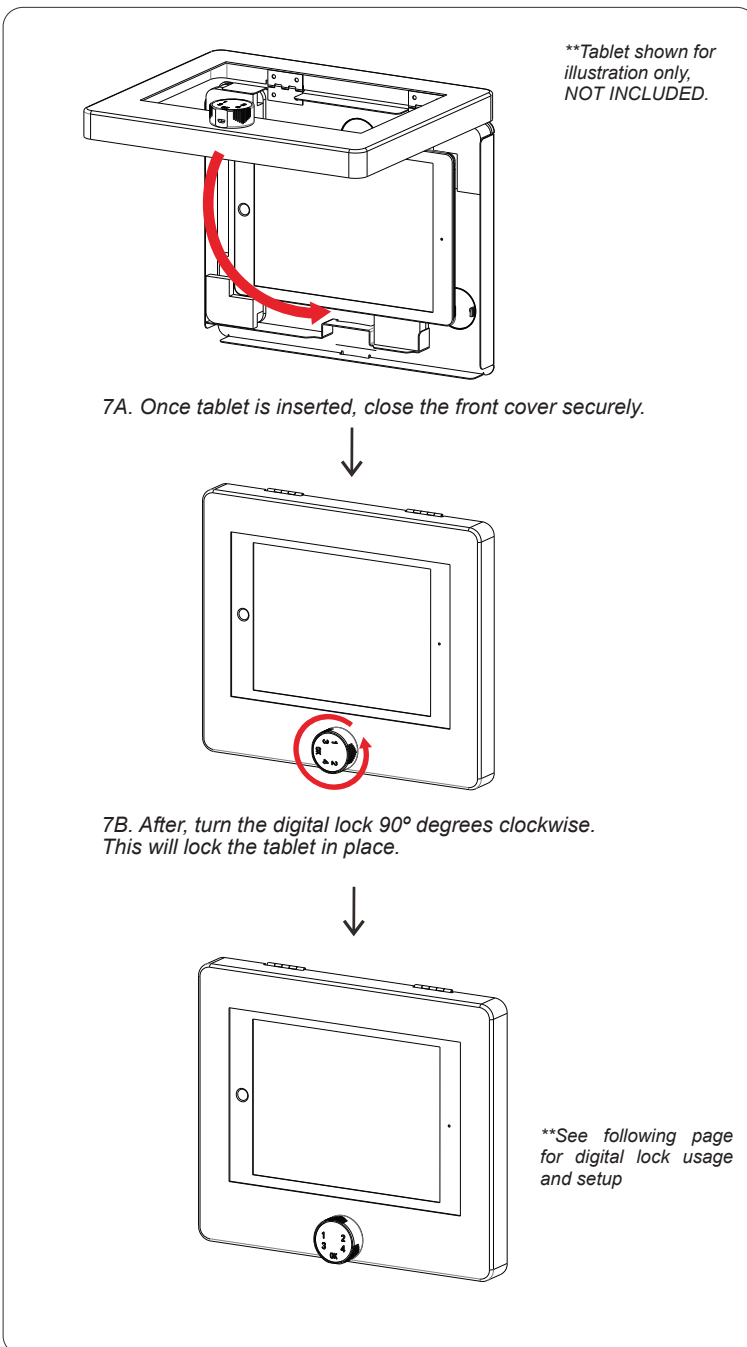
5. Inserting Tablet into Enclosure :



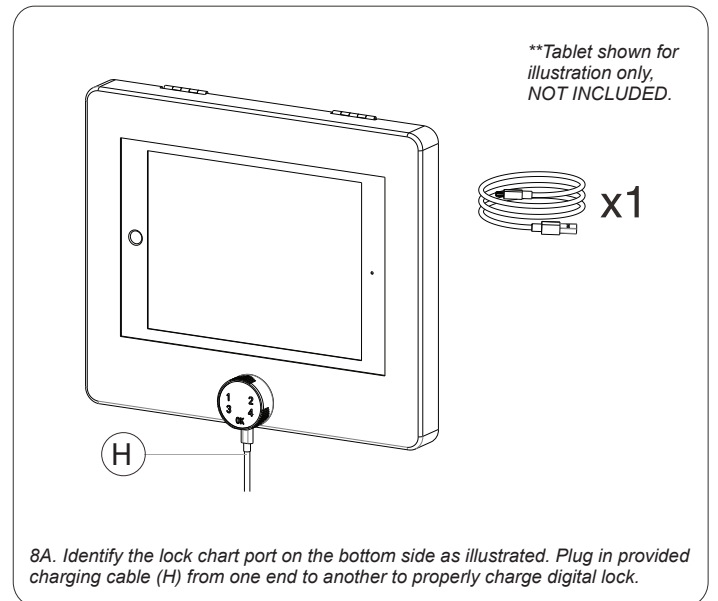
6. Removing Enclosure Back Opening Covers :



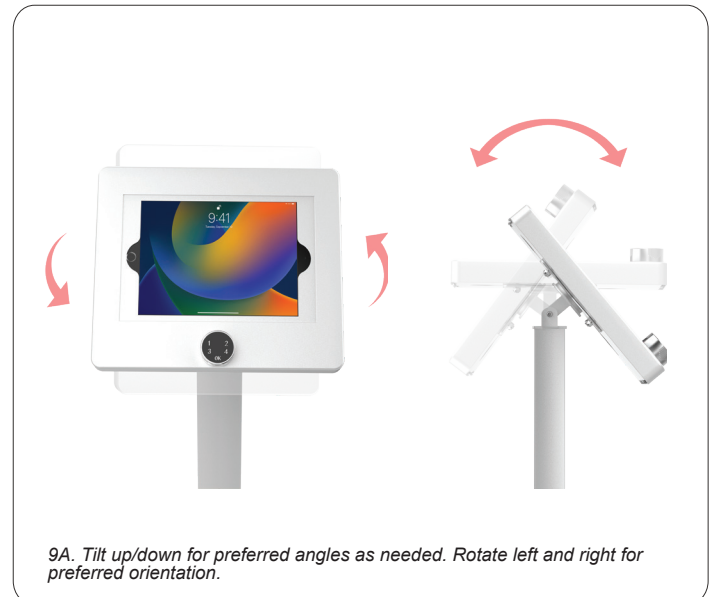
7. Locking Enclosure :



8. Charge the lock :



9. Adjusting angles & orientation :





How to unlock

1. Press default password “123”, press “OK”.
2. Green light on about 5 seconds and you hear a long beep means verification passed and it is unlocked. Please turn the lock to unlock within 5 seconds.

Remark: If you entered wrong password 3 times the system will be locked for 1 minute.

Press 1: Change Administrator Password

The password should be 3-9 digits, each digits can be any number during 1-4.

1. Press “1”, Press “OK”, when the blue light on and there is a beep, means into setting mode.
2. Verification:
Enter default password “123”, press “OK” to confirm.
Blue light flashes and beeps 3 times means verification passed.
3. When the blue light flashes
Enter new password and press “OK” to confirm.
Enter new password again and press “OK” to confirm.
When the green light on and a long beep heard means new password setting is done.
4. Use new password to unlock to test.

Remark: Please do remember your new Administrator Password. If forgot we don't have other way to get it back and without it factory setting can't be done too.

Press 2: Create User Password

The password should be 3-9 digits, each digit can be any number during 1-4.

You can add up to 20 user passwords.

1. Press “2”, Press “OK”, when the blue light on and there is a beep, means into setting mode.
2. Verification:
Enter administrator password, press “OK” to confirm.
Blue light flashes and beeps 3 times means verification passed.
3. When the blue light flashes
Enter new password and press “OK” to confirm.
Enter new password again and press “OK” to confirm.
When the green light on and a long beep heard means new password setting is done.
4. Use new password to unlock to test.

Restore Factory Setting

1. Press “OK” for about 15 seconds until the red light on (please ignore the blue light).
2. Verification:
Enter Administrator Password and press “OK” to confirm.
When the light flashes and a long beep heard means verification passed.

When complete, all the user's passwords and temporary passwords are invalid and administrator password back to “123” again.

Power Instruction

1. Low power warning: Red light flashes and beeps 5 times. Please charge the lock.
2. You can unlock when charging by USB cable.