

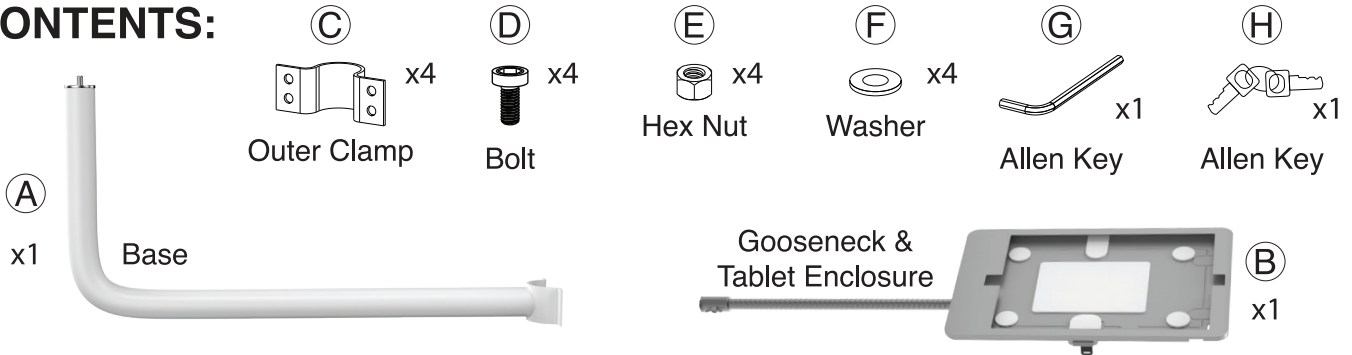


Gooseneck Chair Clamp

PAD-CHAIRPB10

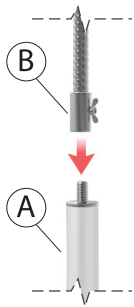
INSTRUCTION - MANUAL

CONTENTS:

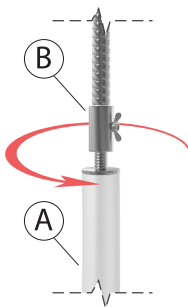


INSTALLATION:

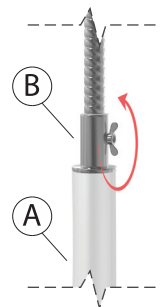
1. Connecting Base with Gooseneck



1A. Align the base (A) with the gooseneck (B).

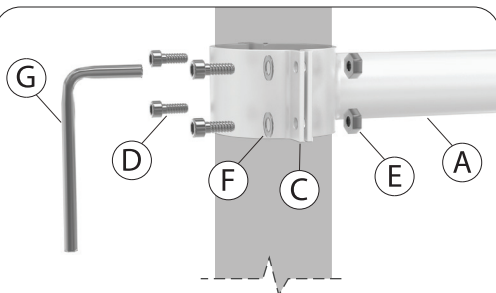


1B. While aligned, rotate the gooseneck's base (B) until completely secured.

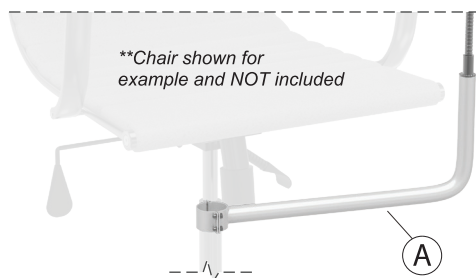


1C. Rotate butterfly knob to securely fasten gooseneck (B) to body (A).

2. Attaching Base to Chair



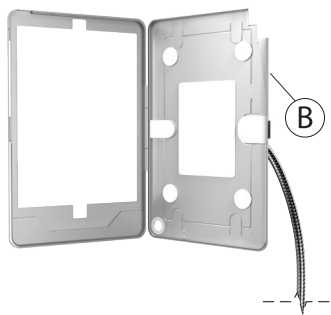
2A. Align both sides of the hoop (A and C) to the chair's cylinder.



****Chair shown for example and NOT included**

2B. While holding the (4) Hex Nuts (B) in the back, align the Washers (F) and the (4) Bolts (D) with the holes. Use the included Allen Key (G) tool to screw the (4) Bolts until securely tightened.

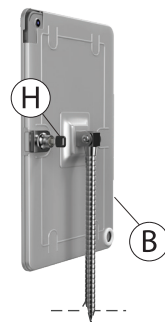
3. Installing Tablet into Enclosure



3A. Open the Enclosure (B)



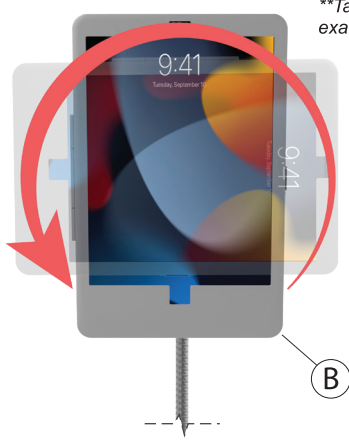
3B. Place the tablet device in the Enclosure (B)



3C. Close the Enclosure (B) door and turn the key clockwise to lock.

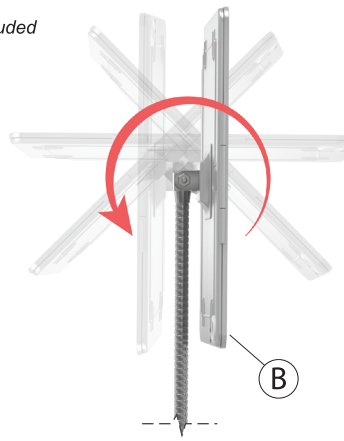
****Tablet shown for example and NOT included**

4. Adjusting the Gooseneck and Enclosure

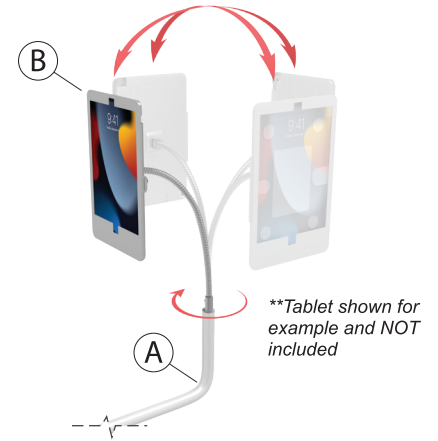


***Tablet shown for example and NOT included*

4A. For landscape or portrait setups, rotate the enclosure (B) as shown above.



4B. For forward or backwards setups, rotate the enclosure (B) as shown above.



***Tablet shown for example and NOT included*

4C. For even more setups, rotate the base of the gooseneck (B) as shown above.

5. Setting up Cable Routing / Cable Management



(B)

***Tablet and cable shown for example and NOT included*

4A. Plug one end of the tablet cord into device, and route the other end through hole in the back (B) as shown.