



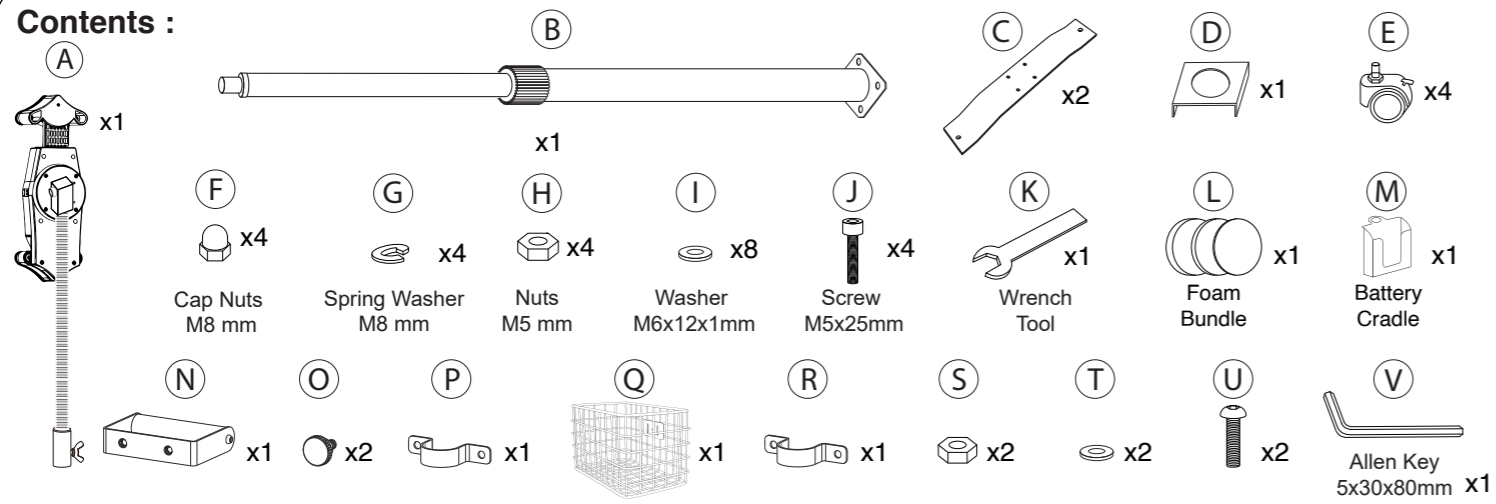
Compact Gooseneck Floor Stand with Accessories (White)

for 7-13-Inch Tablets

PAD-CGSWAO

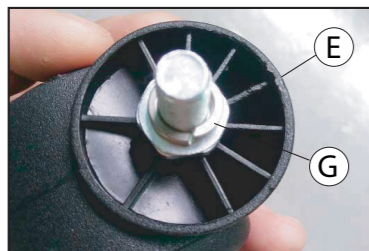
INSTRUCTION - MANUAL

Contents :

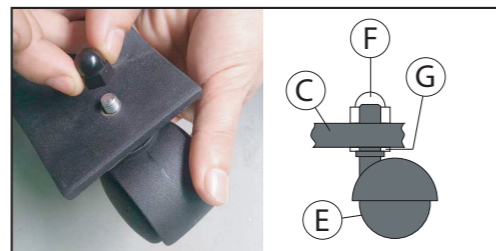


INSTRUCTIONS :

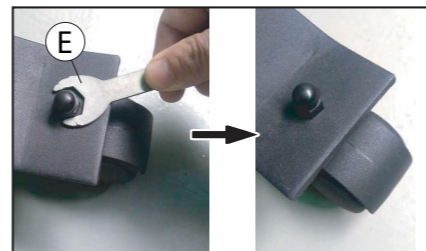
1. Assembling the wheels :



1A. Place spring washer (G) over the screw bolt on the wheel (E).

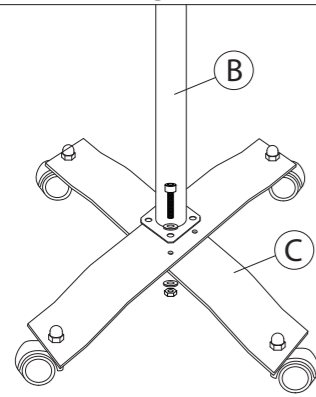


1B. Place the screw of the wheel (D) through the metal base (C). Place nut cover (F) over the top. Turn in screw nut (F) to wheel using hand.

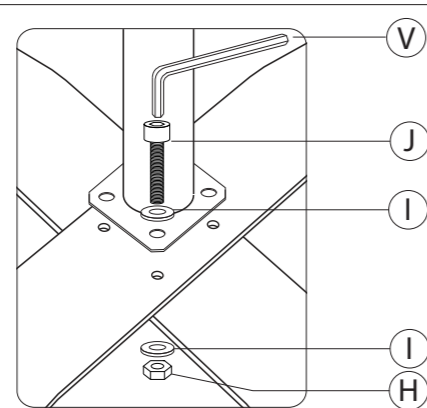


1C. Follow up by using provided wrench tool (K) to securely tighten as seen above.

2. Assembling the base stand

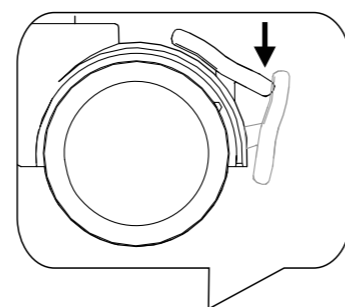


2A. Place the metal base pieces (C) in a cross position and align the holes on the base pole (B). One of the metal pieces will be slightly higher at the middle, so that piece will be on top.



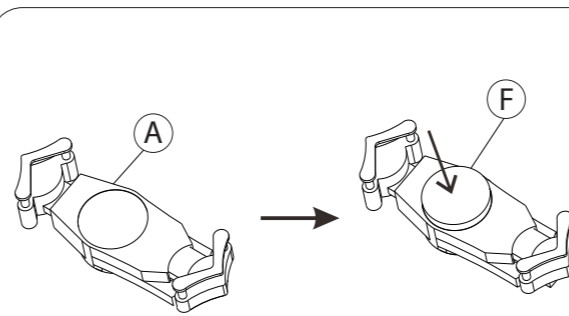
2B. Insert the screw bolt (K) through all of them in the corresponding order as shown. Using your hand to initially rotate in the screw while your other hand is holding the hex nut (I). Afterwards, use the provided allen key tool to securely tighten. Repeat for all (4) holes in the same manner.

3. Locking casters :



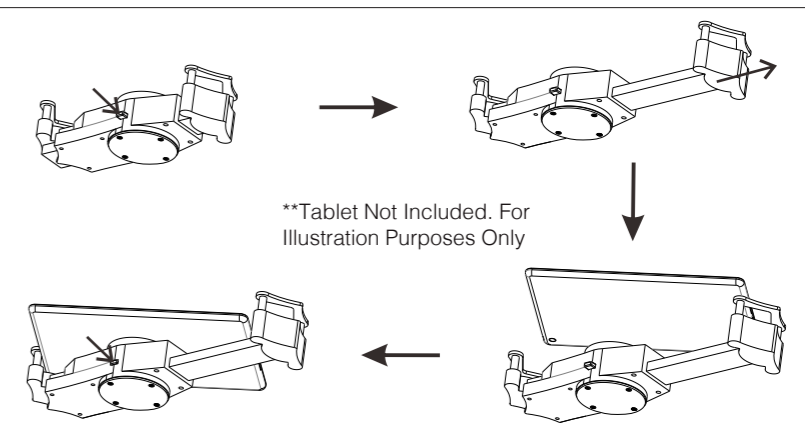
3A. Press the wheel lever up or down to place wheels in locked or unlocked mode depending if you want to be in a mobile or stationary setup. Make sure you adjust all (4) wheels at the same time or it won't properly be setup.

4. Setting up Foam Piece on Holder



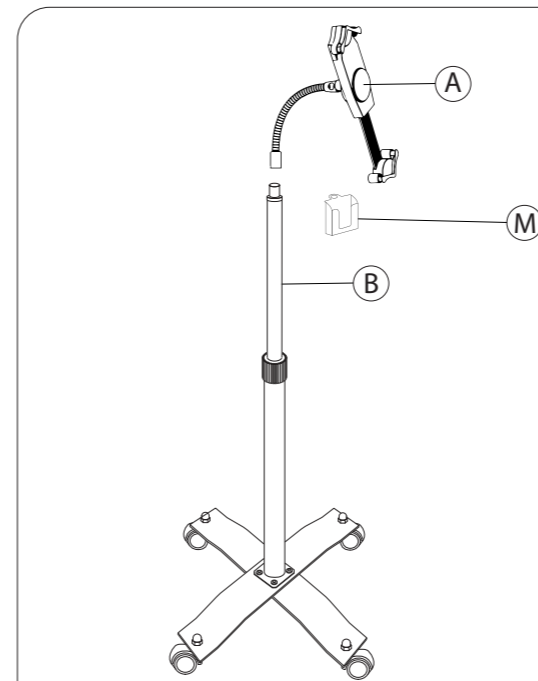
4A. Peel off backing on the desired foam piece (L) to be adhered onto holder (A). Foam piece is to aid in having your tablet be securely fitted onto the holder for a sturdy grip. Use any combination of foam pieces as needed if 1 foam piece isn't enough.

5. Inserting a Tablet into Holder

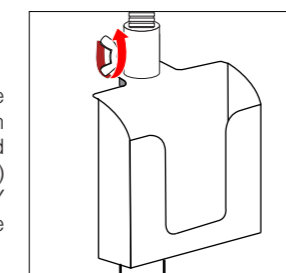
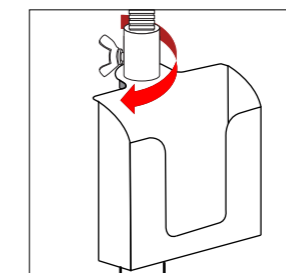
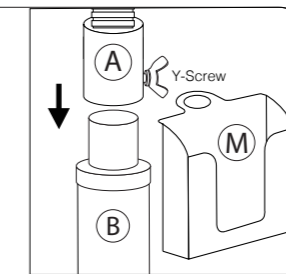


5A. Press the release button on the side of the holder (A). While holding the button, extend the arms so you're able to insert your device. Press the button again to retract arms and firmly grip at the corners of your device securely.

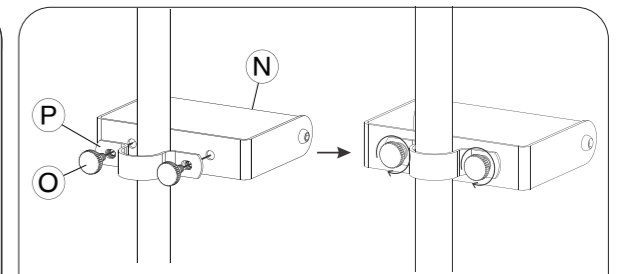
6. Assembling base stand with gooseneck, holder and battery cradle :



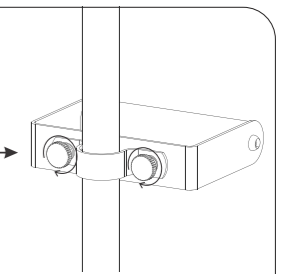
6A. Take the gooseneck with holder (A), the battery cradle (M), the base stand (B), and align them all together as shown in the right. First, hook the battery cradle onto the base stand metal adapter. Then rotate in the gooseneck component (A) into the base stand (B) until securely tightened. Turn the Y screw (see detail diagram to the right) to securely fasten the gooseneck to the base stand.



7. Setting up handle :

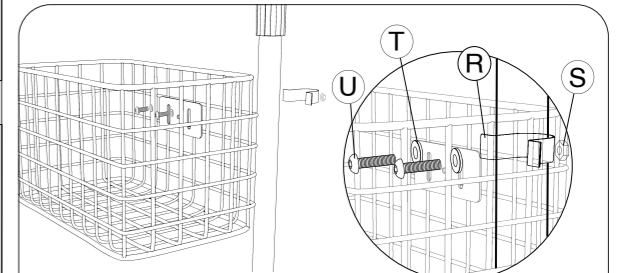


7A. Find the desired height on the pole / floorstand (B) where you wish to attach the handle (N). Then align the screw and the U bracket (O,P) with the opening in the handle (N).



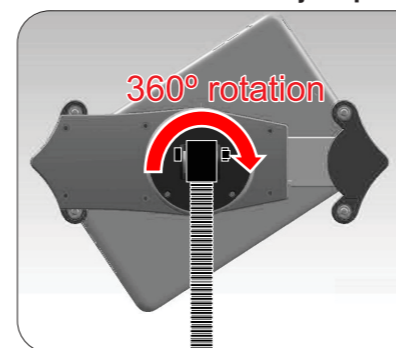
7B. Rotate in screw clockwise as shown until securely tightened.

8. Setting up basket :

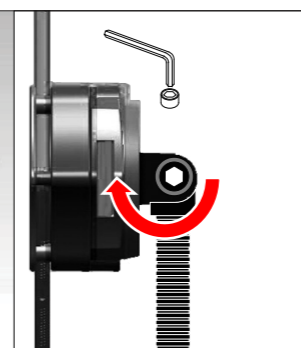


8A. Find the desired height on the pole / floorstand (B) Align U bracket (R) holes with basket screw holes on either side of the central pole. Pass screw (U) through washer (T), then through screw hole, and turn in nut (S) on opposite side.

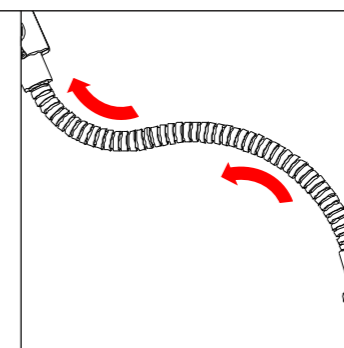
How to flex and adjust product :



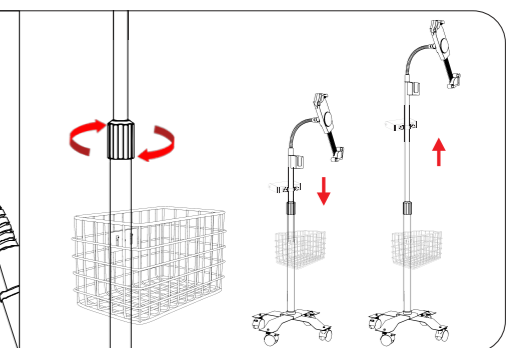
Portrait & landscape
Rotate the joint behind the tablet holder in a 360 degree fashion as shown to either portrait or landscape orientation as preferred.
**Tablet Not Included. For Illustration Purposes Only.



Tightening & loosening main joint
Using an allen key, tighten the joint to create a more static and rigid setup. Loosen to allow adjustability as needed.



Adjusting Gooseneck
Using your hands, simply adjust for a multitude of angles the gooseneck until desired orientation, tilt angle, side angles are all achieved for the preferred setup.



Adjusting height
Identify the center pole height adjustment knob. Rotate clockwise and counterclockwise to raise or lower the center pole for preferred height. Once desired height is set, rotate knob in the middle opposite side of the handle to tighten and create a more rigid and secure setup.