

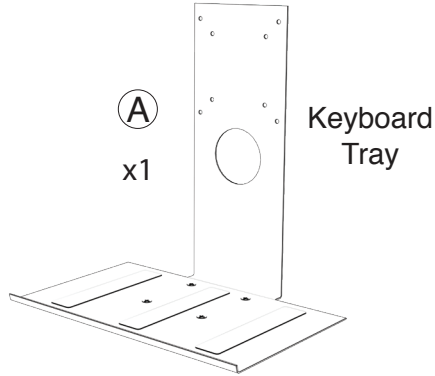


# Add-on VESA Compatible Keyboard Tray

ADD-VKBTB / ADD-VKBTW

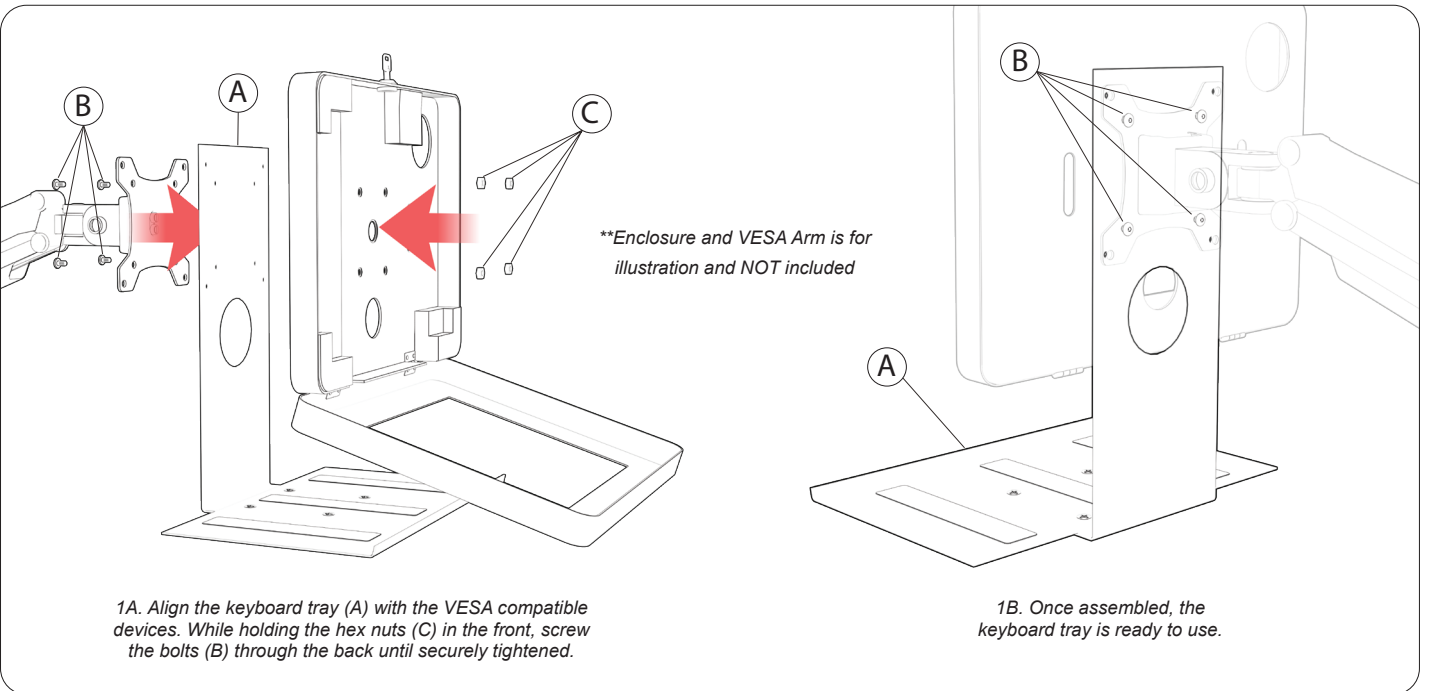
INSTRUCTION - MANUAL

## CONTENTS:



## INSTALLATION:

### 1. Connecting Keyboard Tray to VESA Compatible Device:



1A. Align the keyboard tray (A) with the VESA compatible devices. While holding the hex nuts (C) in the front, screw the bolts (B) through the back until securely tightened.

1B. Once assembled, the keyboard tray is ready to use.