



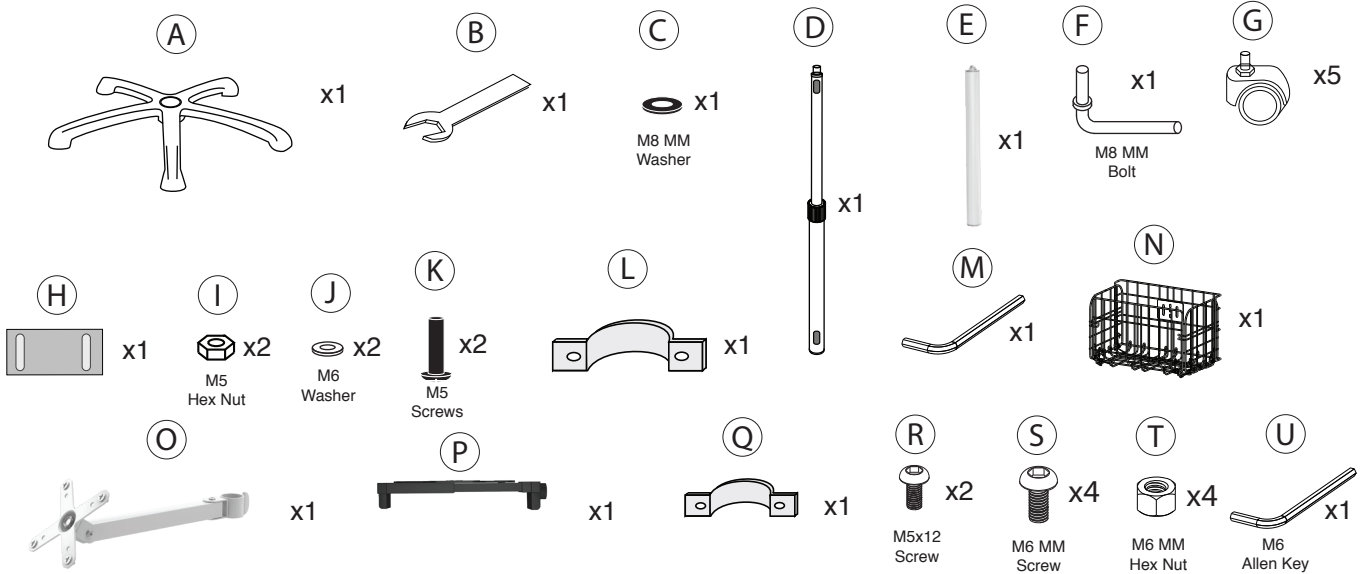
Medical Rolling Cart with VESA Articulating Arm, Basket, and Power Strip Holder

ADD-MCRFS

INSTRUCTION - MANUAL

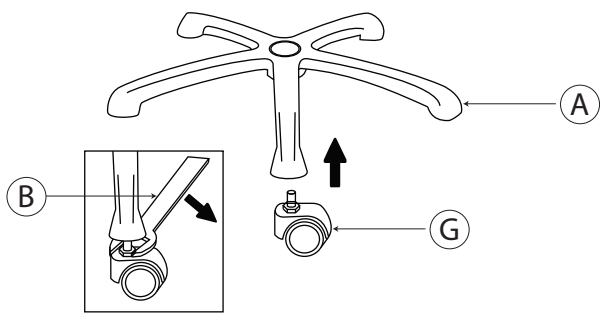
CONTENTS:

**COMPONENTS ARE NOT TO SCALE AND JUST GRAPHIC REPRESENTATIONS



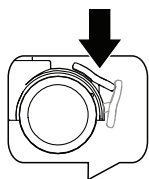
INSTALLATION:

1. Attaching Wheels to Heavy Duty Base

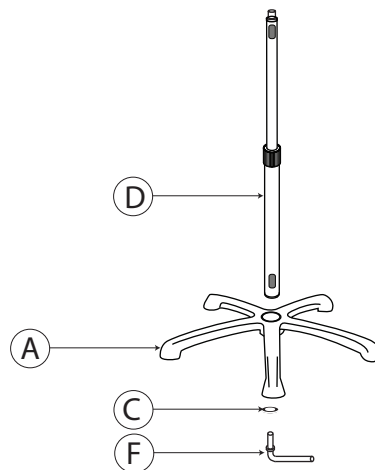


1A. Take one wheel (G) and align it to the leg arm holes on the underneath of the base (A). Initially you can use your hands and manually rotate the wheel until slightly tightened. Then use the provided wrench tool (B) at the hex shaped area and rotate it securely to tighten the rest of the way.

1B. Press the wheel lever up or down to place wheels in locked or unlocked mode depending if you want to be in a mobile or stationary setup. Make sure you adjust all wheels at the same time or it won't properly be set up.

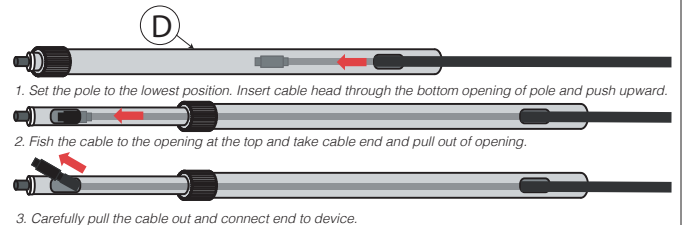


2. Attaching Base to Body

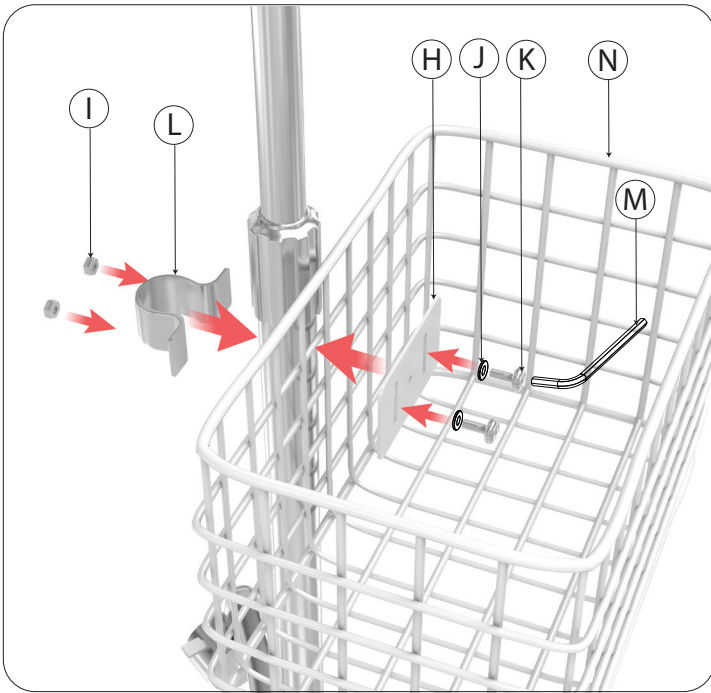


2A. Align the bottom of pole body (D) to the top center of the base (A). While pieces are connected, securely flip over so you can see the bottom. Align washer (C) to the hole on the bottom. Using your hands, identify L-shaped component (F) and rotate through the washer into the hole until securely tightened. Pole body and base should now be securely attached to each other.

3. Cable Routing through Body

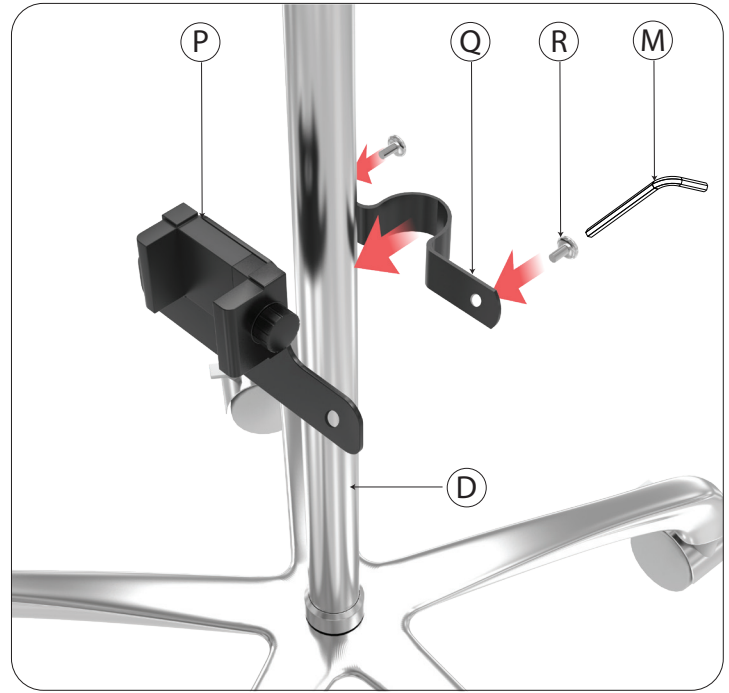


4. Attaching Basket to Pole Body



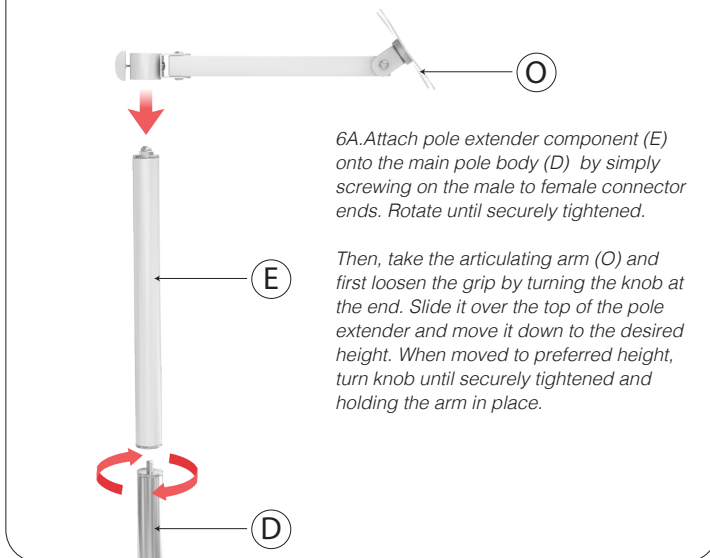
4A. Find the portion of the pole body beneath the tightening knob in the center to begin mount as illustrated. Position the basket (N) first, then sandwich the U-clamp (L) from behind and the metal plate (H) from within the basket. Insert and rotate in the screw (K) with washer (J) while holding the hex nuts from behind (I) with your hands. Rotate the screw using provided tool (M) until securely tightened. It may be easier to start the installation at the very bottom of the pole body where the basket can rest of the base (A). When everything is semi-tight, slide the entire installation upwards towards the desired location, then continue to tighten everything until securely fastened.

5. Attaching Power Strip Holder to Pole Body



5A. Find the power strip holder component and first remove the screws with provided tool (M). Take the two halves (P+Q) and wrap them around the body pole as illustrated above. Using the provided tool (M), rotate the screw until securely tightened. No hex nuts are needed because the holder is threaded and will hold the tightened screw.

6. Attaching Pole Extender & Articulating Arm



6A. Attach pole extender component (E) onto the main pole body (D) by simply screwing on the male to female connector ends. Rotate until securely tightened.

Then, take the articulating arm (O) and first loosen the grip by turning the knob at the end. Slide it over the top of the pole extender and move it down to the desired height. When moved to preferred height, turn knob until securely tightened and holding the arm in place.