



# ADD-AUTCFVM

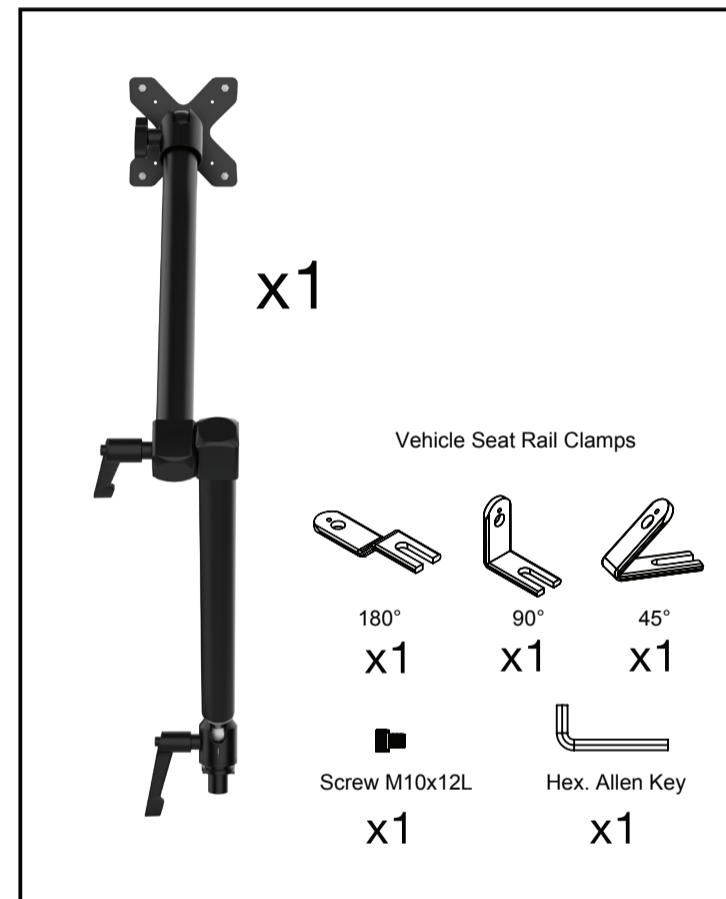
## Aluminum Security Vehicle Mount with VESA Plate

### INSTRUCTION MANUAL

Thank you for choosing CTA Digital's product. We hope that you will enjoy using it. Please follow the guidelines and instructions as laid out in this instruction manual.



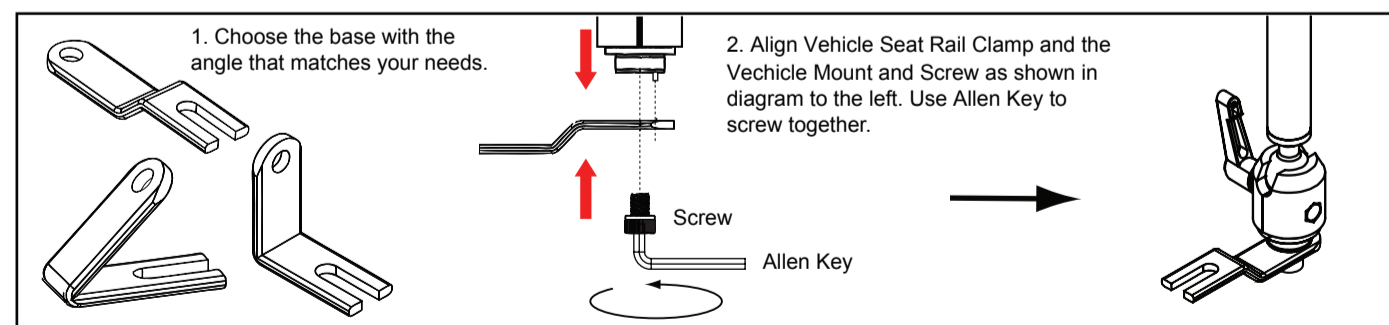
#### Package Contents:



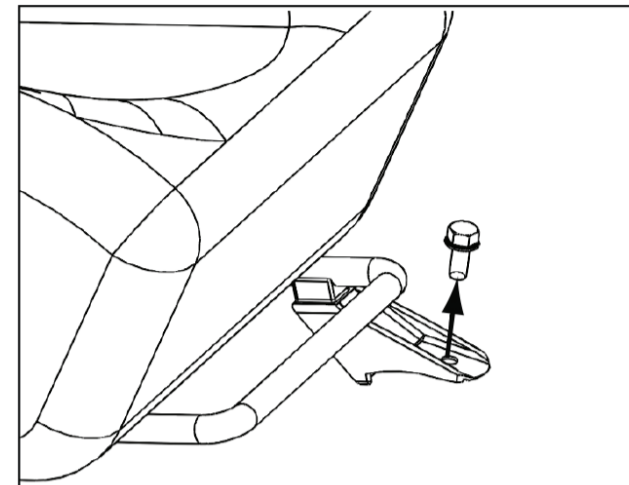
#### Instructions:

### 1. Installing Vehicle Seat Rail Clamp to the Vehicle Mount

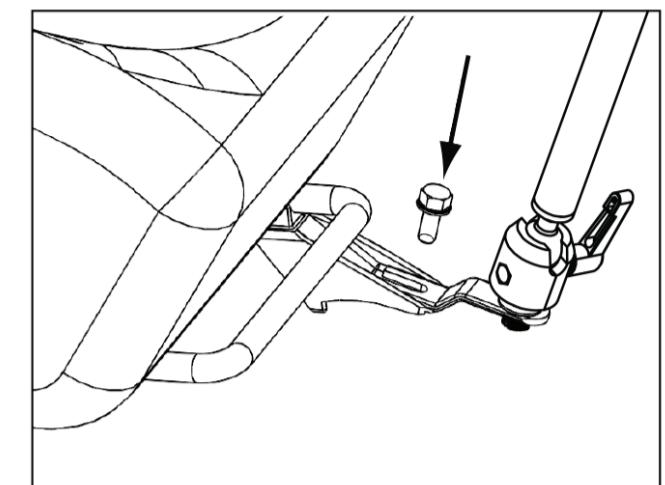
Because each vehicle is different, you will need to determine which included seat rail clamp is best for you.



### 2. Installing Vehicle Mount to your Vehicle Seat Rail

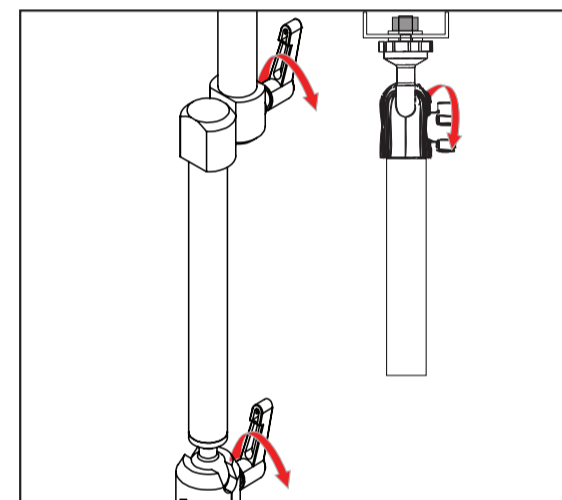


1. Loosen the bolt of the seat rail.

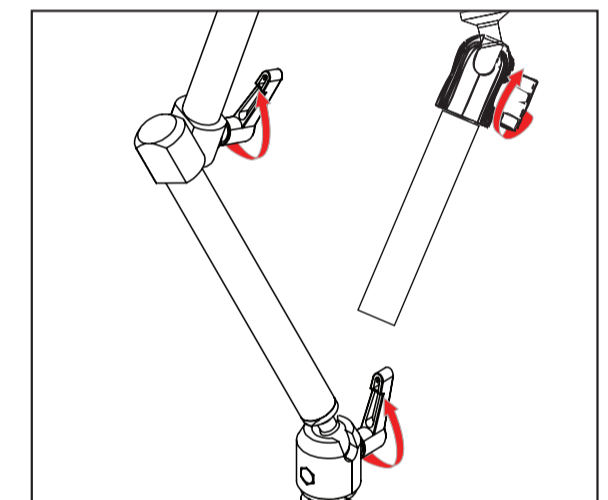


2. Install the assembled Vehicle Seat Rail Clamp and Base set on the seat rail and screw back the bolt.

### 3. Adjusting the Flex Arm



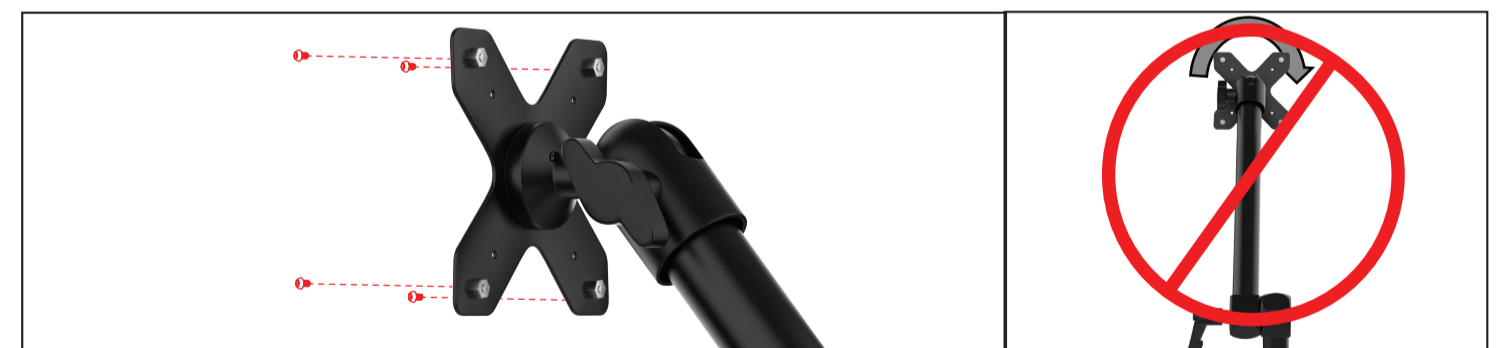
1. Twist the screw knob counter clockwise to loosen the connection.



2. Adjust the arm to your preferred position and then tighten the screw knob clockwise.

### 5. Installing device to VESA mount

\*Disclaimer - Ball Joint Warning



1. Taking a 75x75 or 100x100 VESA compatible device, line up the holes and screw in the screws from the front while holding the hex nuts from the back.

DO NOT attempt to adjust, tilt, or rotate any ball socket joints while it is fully tightened. Any such action will result in possible damage and loss of integrity of product functioning at full capacity. CTA Digital will not be responsible for any such actions by any person.



#### Caution

Please be sure to fasten all the screws were tightened securely while using the stand. Not for use while driving.

SUPPORT@CTADIGITAL.COM

1. Insert key into lock at back of holder. Turn counterclockwise to unlock, then slide to open. Insert tablet against fixed end, then slide down to hold tight. Turn key clockwise to lock.