

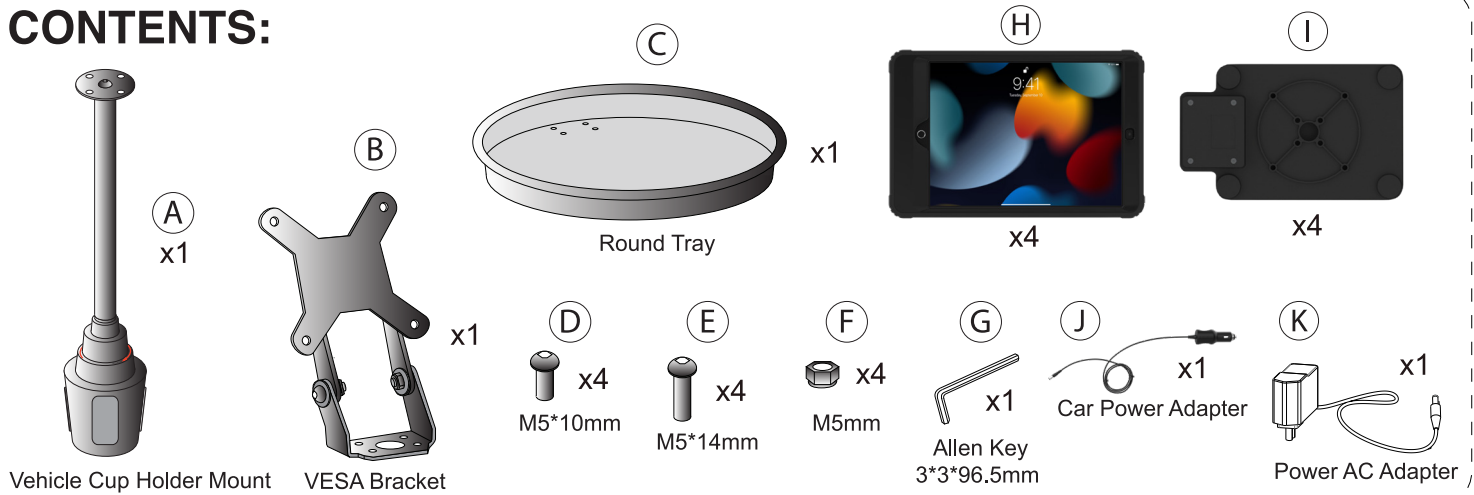


Vehicle Cup Holder Mount with Tray and Induction Charging Case

PAD-VMTRAYIC

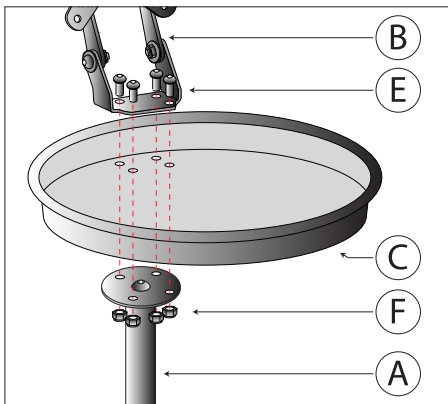
INSTALLATION - MANUAL

CONTENTS:



INSTALLATION:

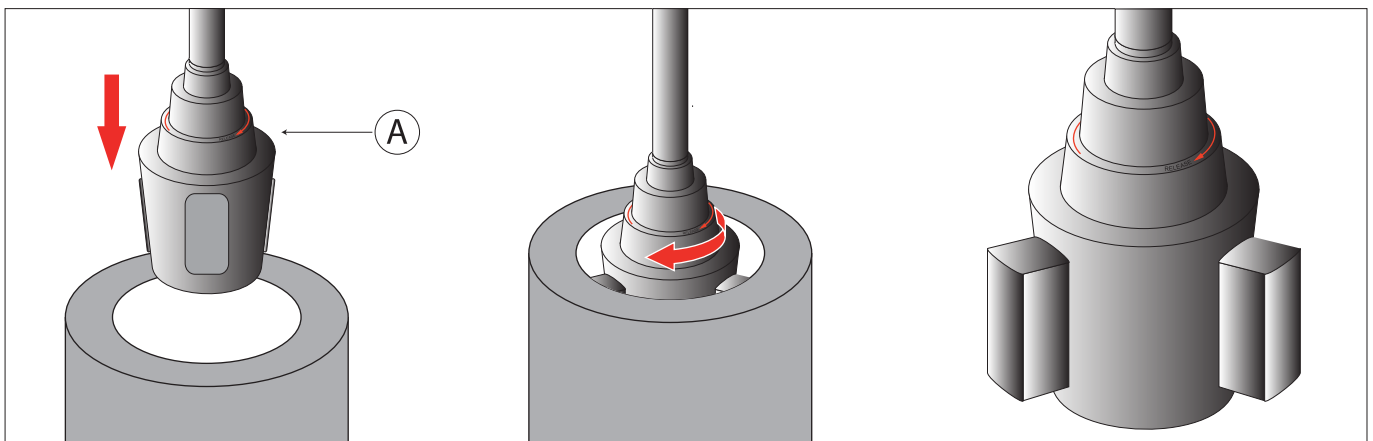
1. Connecting the Custom Flex Vehicle Cup Holder Mount, VESA Bracket & Round Tray



1A. Align the holes of the round piece of the vehicle cup holder mount (A), VESA bracket (B) and round tray (C). Insert a M5*14mm screw (E) while holding a nut (F) from the bottom side, then tighten the screw with the included allen key tool (G).

1B. Repeat step 1 to tighten all (4) screws and nuts.

2. Installing Custom Flex Vehicle Mount into the Cup Holder



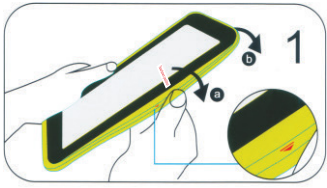
2A. Insert the bottom base of the mount (A) into the cup holder. 2B. Twist the button of the base clock-wise, release the arms to hold it securely.

3. Attaching VESA Compatible Device to VESA Bracket

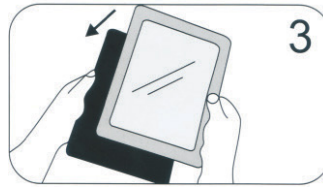


3A. Align VESA bracket (B) VESA holes with the dock (I). Rotate in with the provided tool (G) until securely fastened

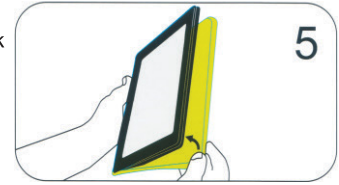
4. Placing Tablet Device Inside Inductive Charging Case



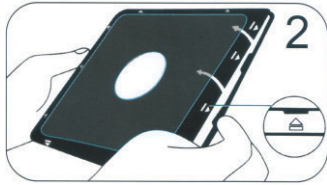
4A. Peel the external silicone sleeve from the internal hard case.



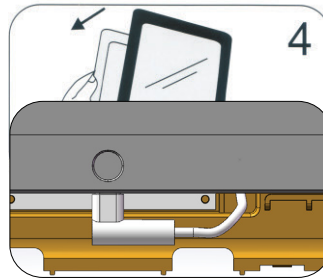
4C. Insert the iPad into the back portion of the hard cover.



4E. Reinstall the external silicone rubber sleeve

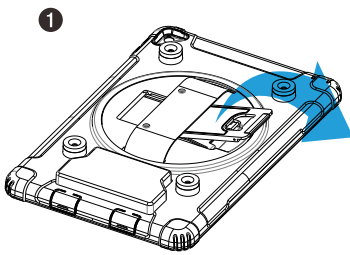


4B. To open case, apply gentle pressure to the small clips (noted on the diagram by arrows). The internal hard case will open when all four sides are unclipped.

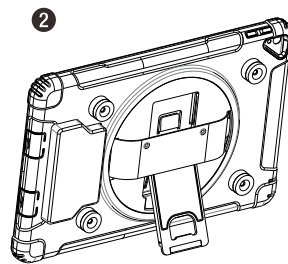


4D. Once the iPad is inside, plug the lightning charging cable into the power socket. Then place the internal front (hard) cover on the top of the case and gently clip all four sides shut.

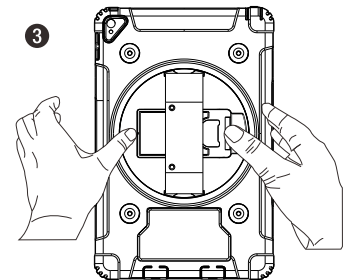
5. Using Tablet as Tabletop or Handheld Mode



5A. Locate kickstand at case rear and fold out underneath strap.

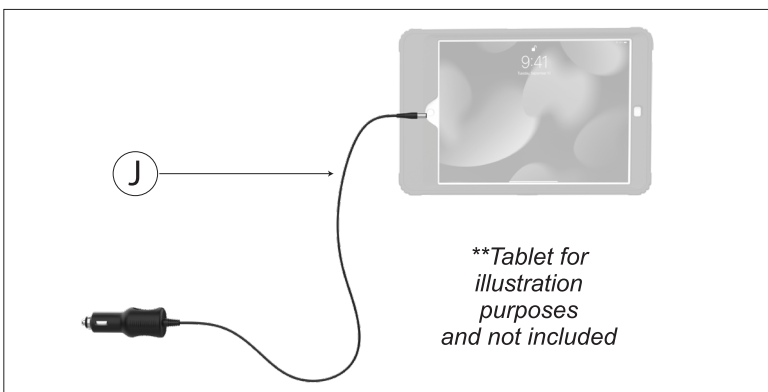


5B. Display tablet at desired viewing angle.



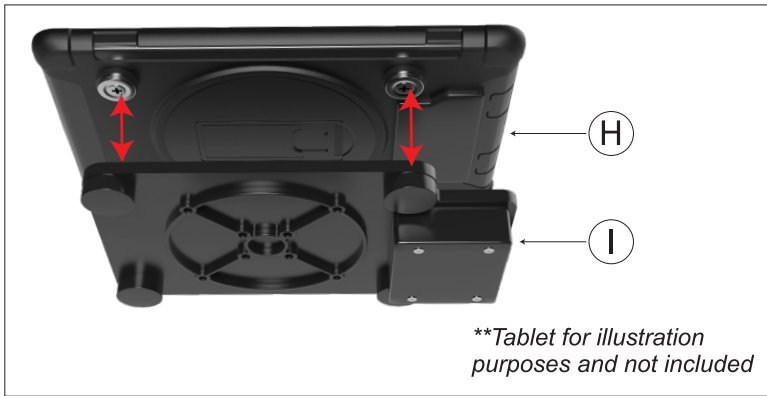
5C. Press kickstand back in to return to handheld mode.

6. Charging the Tablet Device in Vehicle



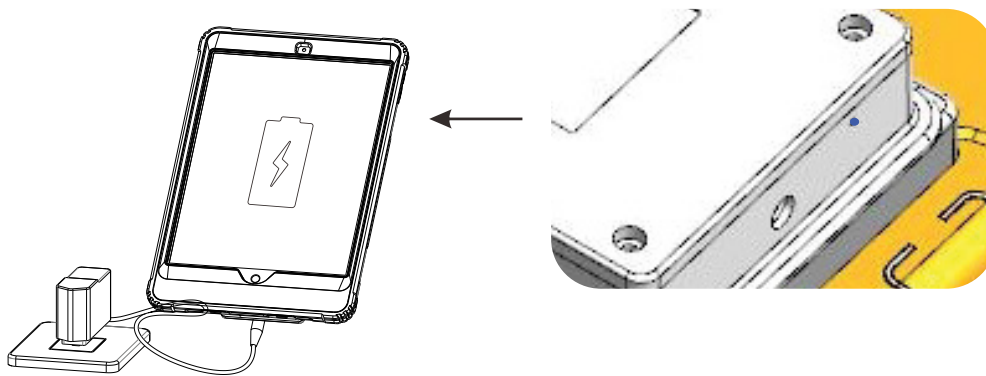
6A. Plug one end of your car power adapter (J) into the dock (I) charging port. Plug the other end into your vehicle auxiliary power outlet.

7. Setting Up Inductive Charging



7A. Align the battery pack (H) to the battery pad (I) on the right side by aligning the magnets, so the tablet charges properly.

8. Proper Charging Setup Indicator



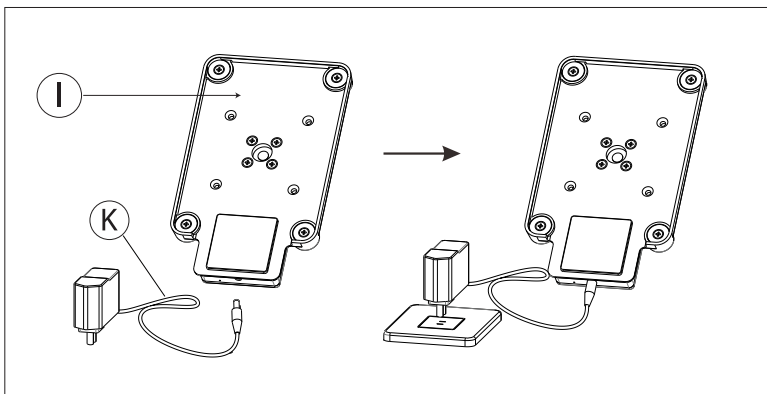
Note the power level displayed on the iPad screen.

8A. Connect the AC/DC power supply to the charging plate as pictured.

8B. Take care to assure that the charging case and back charging plate are aligned properly. When done properly, you'll see the blue indicator light up on the back of the charging plate.

8C. A blue indicator light tells you your iPad is properly connected to the inductive charging plate.

9. Charging the Tablet Device Into Plug



9A. Plug one end of your power adapter (K) into an outlet. Plug the other end into your inductive charging dock (I) charging port.

Caution: For proper results, please make sure your device is properly aligned with the inductive charging plate.

Caution: Please do not place or store the product on or near high-temperature areas like heating devices, open flame, or in hot cars in extreme heat.

Caution: Please do not place or store the product in or near water, steam, or in any wet, humid, or damp places.

Power Supply:

Input : AC 100-240V 50/60Hz
 Output: DC12V 1.5A
 Rating power:18W
 Cable Length:1.8M
 DC Plug: 5.5*2.1mm male DC Plug

Inductive Charging Case:

Qi Standard: V1.2.4
 Input: DC12V 1.3A
 Output: DC5V 2.4A(Max.)
 Rating Power: 15W
 Efficiency: 80-85%(Max.)
 Inductive Distance:3-6mm

Input Socket: 5.5*2.1mm female DC socket
 Output Plug:Apple Lightning Plug
 Charging Time :4-4.5 hours)

Environmental Requirements:

Operating Temperature for iPad: 32 to 95 / 0 to 35
 Nonoperating Temperature: -4 to 113 / -20 to 45