

PX
User Guide

Lenovo
ThinkStation



Lenovo

Read this first

Before using this documentation and the product it supports, ensure that you read and understand the following:

- *Safety and Warranty Guide*
- [Generic Safety and Compliance Notices](#)
- *Setup Guide*

First Edition (May 2023)

© Copyright Lenovo 2023.

LIMITED AND RESTRICTED RIGHTS NOTICE: If data or software is delivered pursuant to a General Services Administration "GSA" contract, use, reproduction, or disclosure is subject to restrictions set forth in Contract No. GS-35F-05925.

Contents

Discover your Lenovo computeriii

Chapter 1. Meet your computer 1

Front	1
Rear	3
Specifications	5
Expand your computer	7
USB specifications	7
The Vantage app	8

Chapter 2. Get started with your computer 9

Connect an external display	9
Lock the computer	9
Access networks	10
Transfer data	11
Diagnostics	12
Troubleshooting and FAQs	13
Recovery	13

Chapter 3. Advanced configurations 15

Set the power plan	15
Use software security solutions.	15
Use BIOS security solutions	15
UEFI BIOS passwords	17
Certificate-based BIOS management	18
What is UEFI BIOS.	18
Enter the BIOS menu.	19
Navigate in the BIOS interface	19
Change the display language of UEFI BIOS	19
Change the display mode of UEFI BIOS (for selected models)	19
Set the system date and time	20
Change the priority boot order	20
Enable or disable the configuration change detection feature	20
Enable or disable the automatic power-on feature	21
Enable or disable the ErP LPS compliance mode.	21
Change BIOS settings before installing a new operating system	22
Update UEFI BIOS.	22
Reset system to factory default.	22
View UEFI BIOS Event logs	23

Chapter 4. RAID 25

What is RAID	25
------------------------	----

Configure RAID with AVAGO MegaRAID Configuration Utility	25
--	----

Chapter 5. CRU replacement 29

CRU list	29
System board	32
ThinkStation logo badge	34
ID badge	35
Dummy cover for the upper PSU bay	35
Power supply assembly.	36
Top cover	37
Wi-Fi antenna cover	38
Left side cover	39
NVLINK retainer.	41
CPU duct	42
Front fan assembly	43
NVLINK bridge	43
Front fan bracket	44
Rear fan assembly.	46
Blank bezel	46
Front panel IO assembly	47
Lock kit for the front access bay	48
Think LED holder and cable	50
Lock kit for the left side cover	51
Hard disk drive in the front access bay	54
Hard disk drive in the PSU bay storage enclosure	56
Right side cover.	58
Power distribution board and bracket	61
BCB board and bracket.	62
Storage fan assembly	63
M.2 solid-state drive in the front access bay.	64
E1.S solid-state drive in the front access bay	66
Dual M.2 or E1.S SSD enclosure	69
Onboard M.2 solid-state drive and its heatsink kit	70
Memory fan	72
Memory module	73
PCIe bracket	76
PCIe card	77
Full-length PCIe card.	79
Super capacitor module	82
Cable connection	83

Chapter 6. Help and support 87

Self-help resources	87
Call Lenovo	88

Certification-related information 89
Compliance information 89
Purchase accessories 90
Purchase additional services. 90

**Appendix A. Notices and
trademarks. 91**

Discover your Lenovo computer

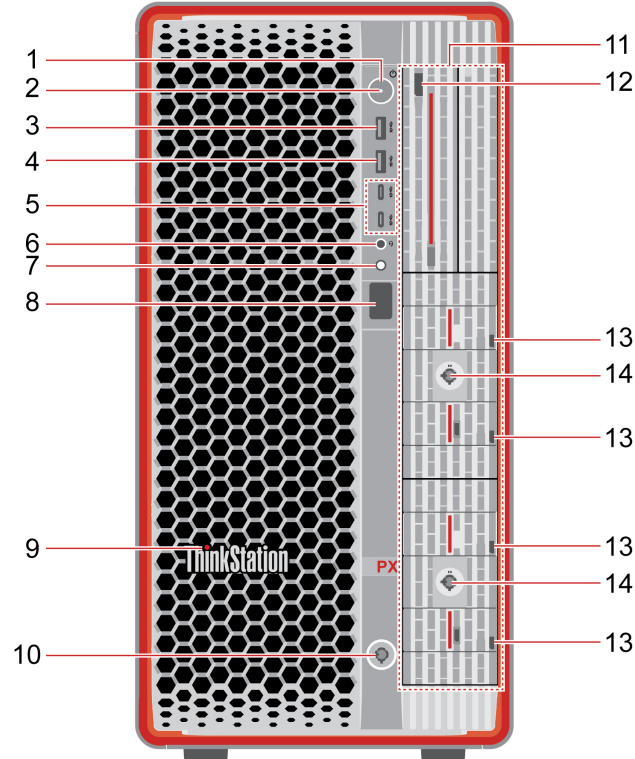
Thank you for choosing a Lenovo® computer! We are dedicated to delivering the best solution to you.

Before starting your tour, please read the following information:

- Illustrations in this documentation might look different from your product.
- Depending on the model, some optional accessories, features, software programs, and user interface instructions might not be applicable to your computer.
- Documentation content is subject to change without notice. To get the latest documentation, go to <https://pcsupport.lenovo.com>.

Chapter 1. Meet your computer

Front



Item	Description	Item	Description
1.	Power button	2.	Power indicator
3.	USB-A 3.2 Gen 2 connector*	4.	Always On USB-A 3.2 Gen 2 connector*
5.	USB-C® (3.2 Gen 2) connectors*	6.	Headset connector
7.	Diagnostic LCD switch	8.	Diagnostic LCD
9.	ThinkStation®LED	10.	Front access bay lock
11.	Front access bays (1 to 6)	12.	Hard disk drive LED label*
13.	M.2 or E1.S solid-state drive LED labels*	14.	Dual M.2 or E1.S SSD enclosure locks*

* for selected models

Statement on USB transfer rate

Depending on many factors such as the processing capability of the host and peripheral devices, file attributes, and other factors related to system configuration and operating environments, the actual transfer rate using the various USB connectors on this device will vary and will be slower than the data rate listed below for each corresponding device.

USB device	Data rate (Gbit/s)
3.2 Gen 1	5
3.2 Gen 2	10
3.2 Gen 2 × 2	20
Thunderbolt 3	40
Thunderbolt 4	40

Power indicator

Show the system status of your computer.

- **On:** The computer is starting up or working.
- **Off:** The computer is off or in hibernation mode.
- **Blinking slowly:** The computer is in sleep mode.

Always On USB-A 3.2 Gen 2 connector

With the Always On USB feature enabled, the Always On USB-A 3.2 Gen 2 connector can charge a USB-A compatible device when the computer is on, off, in sleep mode, or in hibernation mode.

To enable the Always On USB feature, do the following:

1. Enter the UEFI BIOS menu. See “Enter the BIOS menu” on page 19.
2. Click **Devices → USB Setup → Front USB Ports → USB Port 2** to enable the Always On USB feature.

Diagnostic LCD switch

Use the diagnostic LCD switch to turn on or turn off the diagnostic LCD, and handle occurred events.



Status	Behavior and function
No event	Short press: Turn on or turn off the diagnostic LCD. Date and time will be displayed on the LCD when it is turned on. The LCD will turn off automatically if idle for three minutes.
Error events occur	The diagnostic LCD will turn on automatically when an error event occurs. <ul style="list-style-type: none"> • Short press (when multiple events occur): Switch among error events and display the corresponding QR code of the selected event. • Long press (about 3 seconds): Clear the selected event.

Diagnostic LCD

Display the diagnostic information when an issue or error is detected. You can decode the error code at <https://www.thinkworkstationsoftware.com/codes>.

Hard disk drive or M.2 or E1.S solid-state drive LED label

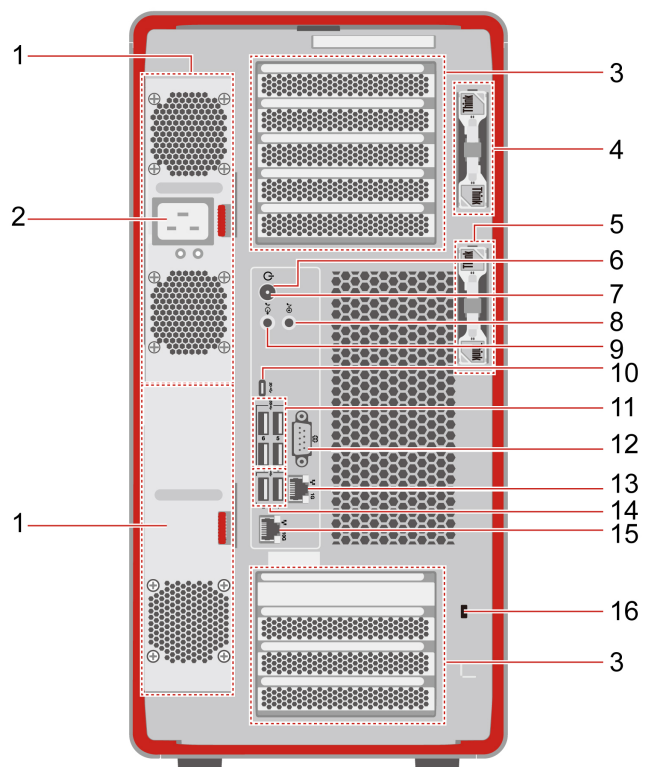
The storage drives have the following two types of LEDs:

LED	Status and indication
 Status LED	<ul style="list-style-type: none"> • Solid on: The storage drive status is failure. • 4 Hz blinking (four times per second): Locating the storage drive. • 1 Hz blinking (once a second): Rebuilding RAID. • Off (when the computer is powered on): The storage drive status is normal.
 Activity LED	<ul style="list-style-type: none"> • Solid on: The storage drive is online, installed, or powered on (no activity). • Variable blinking: Accessing the storage drive. • Off (when the computer is powered on): The storage drive is not installed or powered.

Related topics

- “Expand your computer” on page 7.
- “USB specifications” on page 7.
- “Transfer data” on page 7.
- “Lock the computer” on page 9.
- “Diagnostics” on page 12.

Rear



Item	Description	Item	Description
1.	Power supply unit bays (2)	2.	Power cord connector
3.	PCI-Express card areas	4.	Key-nect for the left side cover and front access bays

Item	Description	Item	Description
5.	Key-nest for the dual M.2 or E1.S SSD enclosure	6.	Power button
7.	Power indicator	8.	Audio line-in connector
9.	Audio line-out connector	10.	USB-C (3.2 Gen 2x2) connector
11.	USB-A 3.2 Gen 1 connectors	12.	Serial connector*
13.	Ethernet connector (1 G)	14.	USB-A 2.0 connectors
15.	Ethernet connector (10 G)	16.	Security-lock slot

* for selected models

Power indicator

Show the system status of your computer.

- **On:** The computer is starting up or working.
- **Off:** The computer is off or in hibernation mode.
- **Blinking slowly:** The computer is in sleep mode.

Serial connector*

Connect an external modem, a serial printer, or other devices that use a serial connector.

PCI-Express card areas

Install PCI-Express cards into these areas to improve the operating performance of the computer. Depending on the computer model, the video output connectors in these areas might be DisplayPort™ connectors or Mini DisplayPort™ connectors.

Related topics

- “Expand your computer” on page 7.
- “Lock the computer” on page 9.
- “Connect an external display” on page 9.
- “USB specifications” on page 7.

Specifications

Specification	Description
Dimensions	<ul style="list-style-type: none">• Width: 220 mm (8.7 inches)• Height: 434 mm (17.1 inches)• Depth: 575 mm (22.6 inches)
Weight (without packaging)	Maximum configuration as shipped: 35.6 kg (78.5 lb)
Hardware configuration	Type Device Manager in the Windows search box and then press Enter. Type the administrator password or provide confirmation, if prompted.
Power supply	<ul style="list-style-type: none">• 1850-watt 92% hot-swappable power supply• 1400-watt 92% hot-swappable power supply <p>Note: Pay attention to the power supply of this product and ensure that you use it under the conditions that meet the circuit requirements.</p>
Electrical input	<ul style="list-style-type: none">• Input voltage: From 100 V ac to 240 V ac• Input frequency: 50/60 Hz
Memory	Up to sixteen double data rate 5 (DDR5) error correction code (ECC) registered dual inline memory modules (RDIMMs) Maximum memory capacity: Up to 4 TB (16 x 256 GB if available)
Storage device	<ul style="list-style-type: none">• 3.5-inch hard disk drive*• M.2 solid-state drive*• E1.S solid-state drive* <p>To view the storage drive capacity of your computer, type Disk Management in the Windows search box and then press Enter.</p> <p>Note: The storage drive capacity indicated by the system is less than the nominal capacity.</p>
Video features	<ul style="list-style-type: none">• PCIe x16 card slots on the system board for a discrete graphics card• Video connectors on a discrete graphics card:<ul style="list-style-type: none">– DisplayPort connector– Mini DisplayPort connector
Expansion	<ul style="list-style-type: none">• Front access bay• Memory slots• M.2 solid-state drive slots• PCI Express slots• Power supply unit bay
Network features	<ul style="list-style-type: none">• Bluetooth*• Ethernet LAN• Wireless LAN*

* for selected models

Operating environment

Maximum altitude (without pressurization)

- Operating: From 0 m (0 ft) to 3048 m (10 000 ft)
- Storage: From 0 m (0 ft) to 12192 m (40 000 ft)

Temperature

- Operating: From 10°C (50°F) to 35°C (95°F)
- Storage: From -40°C (-40°F) to 60°C (140°F)

Relative humidity

- Operating: 20%-80% (non-condensing)
- Storage: 10%–90% (non-condensing)

System memory speed

The Intel Xeon® microprocessor families compatible with this ThinkStation computer feature an integrated memory controller. The memory controller provides the microprocessor with direct access to the system memory. Therefore, the system memory speed will be determined by the memory module type, frequency, size (capacity), the number of memory modules installed, and the microprocessor model.

Notes:

- The actual system memory speed of the memory modules varies depending on the microprocessor model. For example, your computer comes with 2666 MT/s memory modules, but the microprocessor only supports up to 2400 MT/s memory modules. Then the system memory speed will be no faster than 2400 MT/s.
- The microprocessor models supported in your computer might vary. For a list of supported microprocessor models, contact the Lenovo Customer Support Center.

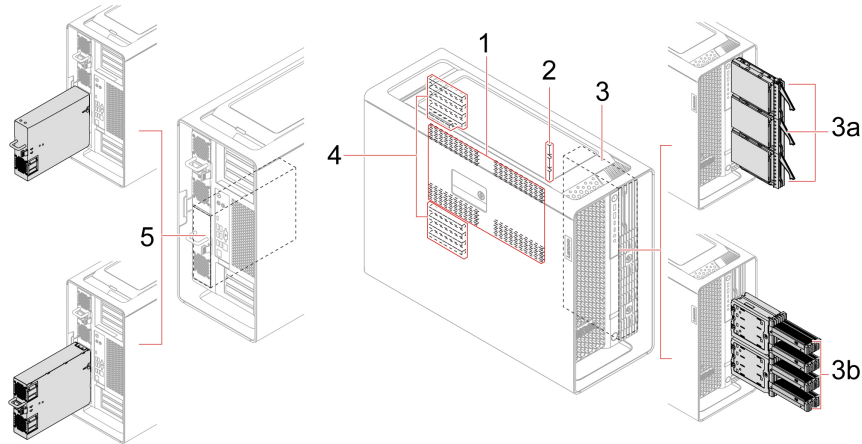
Refer to the following information about the system memory speed:

- **Memory module types:** DDR5 ECC RDIMMs
- **Memory module speed:** 4800 MT/s

Expand your computer

You can enhance your computer capacity and performance by adding various devices according to the following rules:

Note: To add or replace a device, see Chapter 5 “CRU replacement” on page 29.



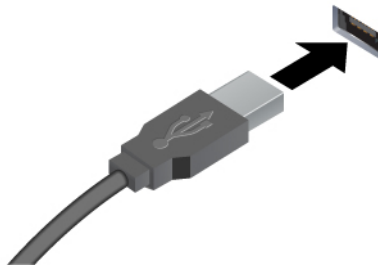
Item	Description
1. Memory slots	Up to sixteen memory modules are installed in selected models.
2. On-board M.2 solid-state drive slots	Up to three M.2 solid-state drives are installed in selected models.
3. Front access bays (1 to 6)	<p>You can install the following storage drives in front access bays:</p> <ul style="list-style-type: none"> • Up to three 3.5-inch hard disk drives* • Up to four M.2 solid-state drive* or E1.S solid-state drives* <p>Note: The dual M.2 or E1.S SSD enclosure priority is higher than the 3.5-inch hard disk drive.</p>
3a. Front access bay 1 to 3	You can install up to three 3.5-inch hard disk drives* in selected models.
3b. Front access bay 2+5 and 3+6	You can install up to two dual M.2 or E1.S SSD enclosures* in selected models. Each dual M.2 or E1.S SSD enclosure supports up to two M.2 solid-state drives* or two E1.S solid-state drives*.
4. PCIe slots	You can install compatible PCIe cards (up to nine) in the PCIe card slots.
5. Power supply unit bay 2	<p>You can install a power supply assembly or a PSU bay storage enclosure with a 3.5-inch hard disk drive in this bay.</p> <p>Note: The PSU bay storage enclosure priority is higher than the power supply assembly.</p>

* for selected models



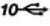
USB specifications

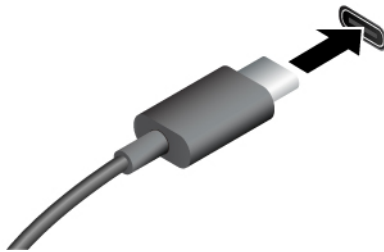
Note: Depending on the model, some USB connectors might not be available on your computer.

Connector name	Description
----------------	-------------

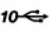
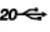


Connect USB-A compatible devices, such as a USB-A keyboard, USB-A mouse, USB-A storage device, or USB-A printer.

-  USB-A 2.0 connector
-  USB-A 3.2 Gen 1 connector
-  USB-A 3.2 Gen 2 connector



- Charge USB-C compatible devices with the output voltage and current of 5 V and 3 A.
- Connect to USB-C accessories to help expand your computer functionality. To purchase USB-C accessories, go to <https://www.lenovo.com/accessories>.

-  USB-C (3.2 Gen 2) connector
-  USB-C (3.2 Gen 2x2) connector

The Vantage app

The preinstalled Vantage app is a customized one-stop solution to help you maintain your computer with automated updates and fixes, configure hardware settings, and get personalized support.

To access the Vantage app, type Vantage in the Windows search box.

Key features

The Vantage app enables you to:

- Know the device status easily and customize device settings.
- Download and install UEFI BIOS, firmware and driver updates to keep your computer up-to-date.
- Monitor your computer health, and secure your computer against outside threats.
- Scan your computer hardware and diagnose hardware problems.
- Look up warranty status (online).
- Access *User Guide* and helpful articles.

Notes:

- The available features vary depending on the computer model.
- The Vantage app makes periodic updates of the features to keep improving your experience with your computer. The description of features might be different from that on your actual user interface.

Chapter 2. Get started with your computer

Connect an external display

Connect a projector or a monitor to your computer to give presentations or expand your workspace.

Connect a wireless display

Ensure that both your computer and the wireless display support Miracast®.

Press Windows logo key + K and then select a wireless display to connect.

Change display settings

1. Right-click a blank area on the desktop and select display settings.
2. Select the display that you want to configure and change display settings of your preference.

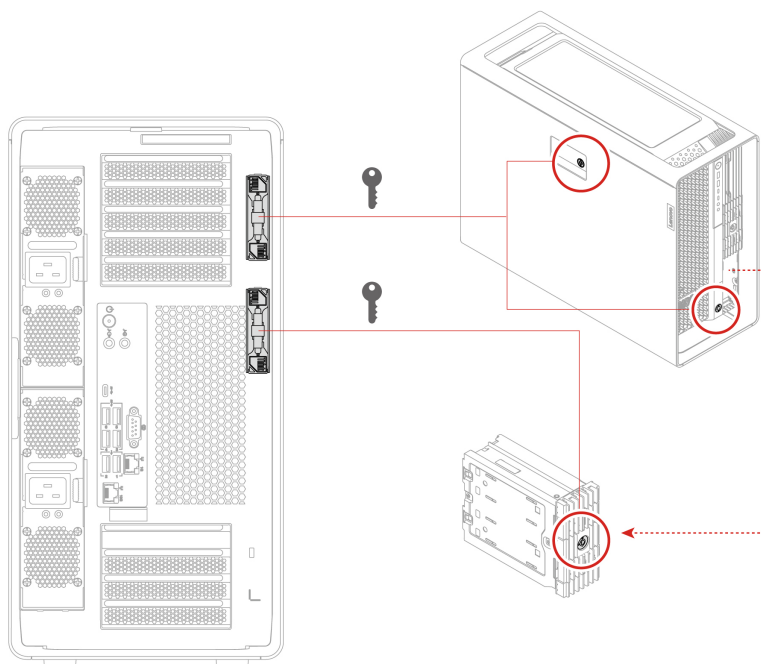
Lock the computer

Note: Lenovo makes no comments, judgments, or warranties about the function, quality, or performance of the locking device and security feature. You can purchase computer locks from Lenovo.

Key lock

Locking the side cover, front access bay, or dual M.2 or E1.S SSD enclosure through a key lock prevents unauthorized access to the inside of your computer or storage drives. The keys for the key lock are attached to the rear of the machine. For security, store the keys in a secure place when you are not using them.

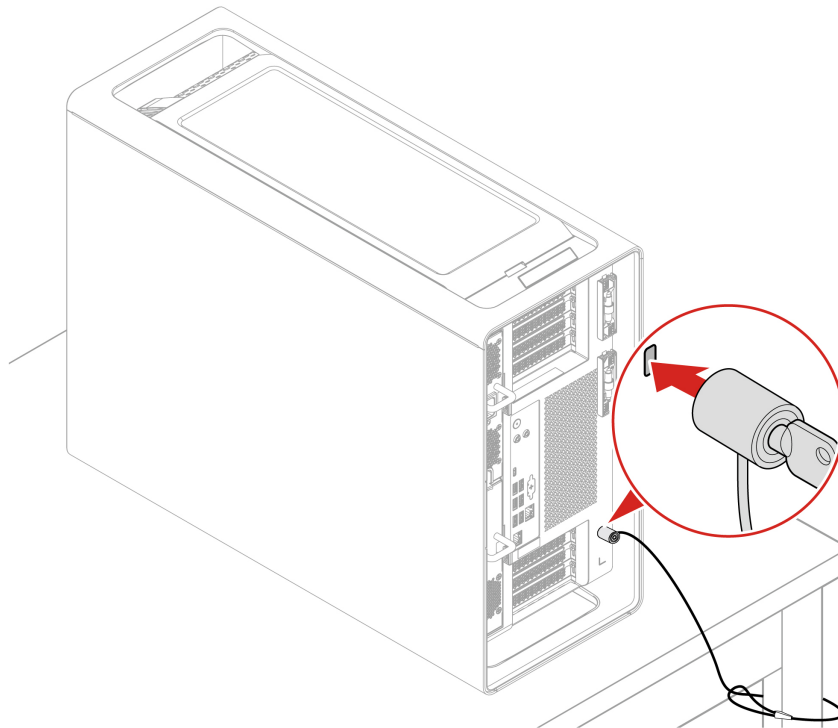
Note: The key can be common or random, that is, use one key for multiple locks or one key for one lock. For details, see the table below:



Lock location	Key description
Left side cover	<p>The key for the left side cover might be one of the following:</p> <ul style="list-style-type: none"> • Common key carved with 00: The same key can open locks for side cover and front access bays on the same computer or on different computers. • Random key carved with R and xx, for example, 01, 02, and 03: The same key can open locks for side cover and front access bays on the same computer, but cannot open locks for side cover and front access bays on other PX computers.
Front bezel (for front access bays)	<p>The key for the front access bays might be one of the following:</p> <ul style="list-style-type: none"> • Common key carved with 00: The same key can open locks for side cover and front access bays on the same computer or on different computers. • Random key carved with R and xx, for example, 01, 02, and 03: The same key can open locks for side cover and front access bays on the same computer, but cannot open locks for side cover and front access bays on other PX computers.
Dual M.2 or E1.S SSD enclosure	<p>Common key carved with 00: The same key can open locks for multiple dual M.2 or E1.S SSD enclosures on the same PX computer or on other PX computers.</p>

Security lock

Lock your computer to a desk, table, or other fixtures through a security lock.



Access networks

This section helps you access networks through connecting to a wired or wireless network.

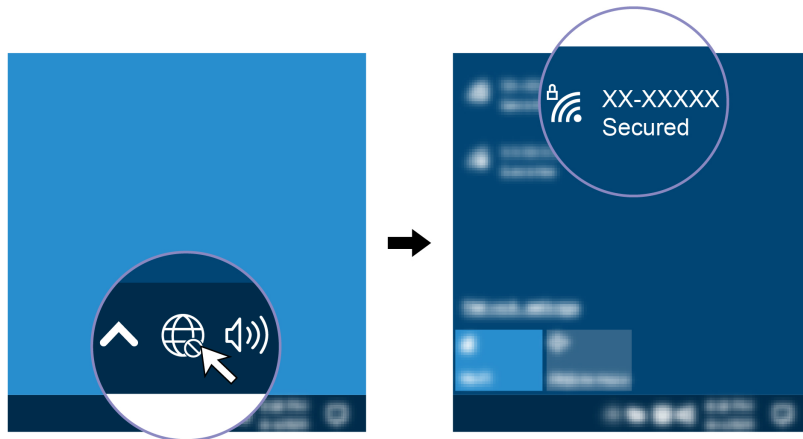
Connect to the wired Ethernet

Connect your computer to a local network through the Ethernet connector on your computer with an Ethernet cable.

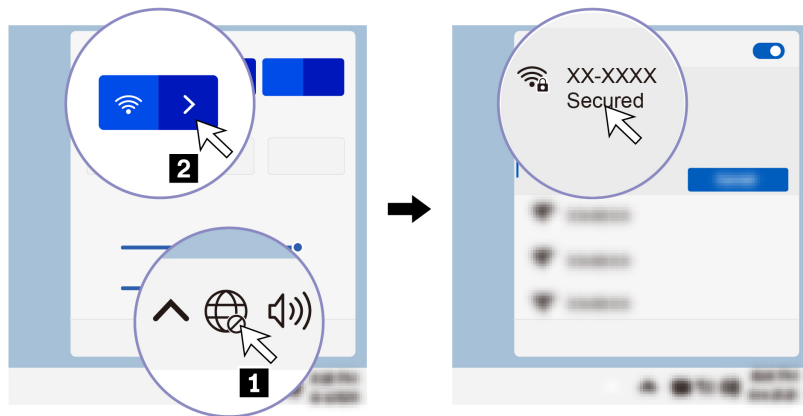
Connect to Wi-Fi networks (for selected models)

Click the network icon in the Windows® notification area, and then select a network for connection. Provide required information, if needed.

- For models with Windows 10:



- For models with Windows 11:

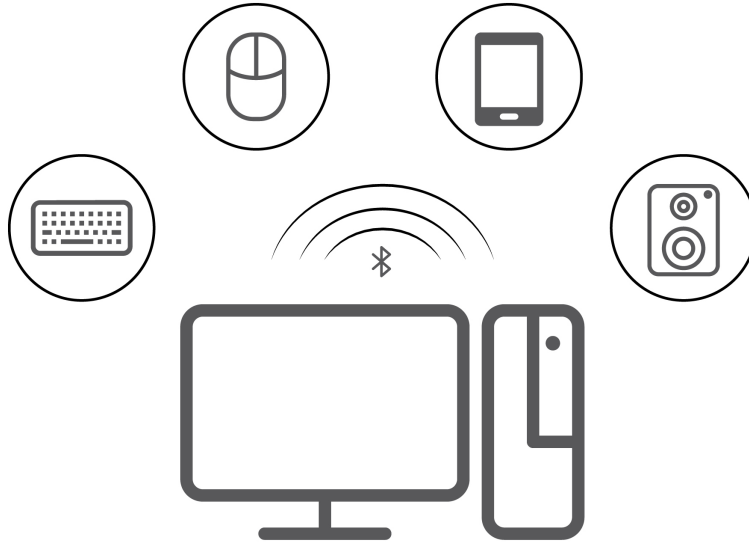


Transfer data

Quickly share your files using the built-in Bluetooth technology among devices with the same features.

Connect to a Bluetooth-enabled device (for selected models)

You can connect all types of Bluetooth-enabled devices to your computer, such as a keyboard, a mouse, a smartphone, or speakers. Place the device that you are attempting to connect to less than 10 meters (33 feet) from the computer.



1. Type Bluetooth in the Windows search box and then press Enter.
2. Turn on Bluetooth, if it is off.
3. Select a Bluetooth device, and then follow the on-screen instructions.

Diagnostics

Use diagnostic solutions to test hardware components and report operating-system-controlled settings that interfere with the correct operation of your computer.

When an error message pops up in the Windows notification area, a four-digit error code is displayed on the diagnostic LCD (for selected models) on the front panel, or the diagnostic indicator on the front panel turns on, do one of the following:

- If ThinkStation Diagnostics can be launched properly:
 1. Click the error message or the ThinkStation Diagnostics icon to launch the program.
 2. All events are logged locally in the program. Locate the related event and view the event log to find possible solutions.
 3. Record the four-digit error code displayed on the diagnostic LCD (for selected models) or in ThinkStation Diagnostics, and then decode the error at <https://www.thinkworkstationsoftware.com/codes>.

Note: You can download ThinkStation Diagnostics at <https://pcsupport.lenovo.com/lenovodiagnosicsolutions/downloads>.

- If your computer does not function:
 1. Use your smartphone to scan the QR code displayed on the diagnostic LCD to open <https://www.thinkworkstationsoftware.com/codes>.
 2. Decode the error according to the four-digit error code displayed on the diagnostic LCD.

For more information, go to <https://www.thinkworkstationsoftware.com/diags>.

The Vantage app

The Vantage app is preinstalled on your computer. To diagnose problems with the Vantage app:

1. Type Vantage in the Windows search box and press Enter.

2. Follow the on-screen instructions and run a hardware scan.

If you are unable to isolate and resolve the problem after running the Vantage app, save and print the log files created by the program. You might need the log files when you speak to a Lenovo technical support representative.

Troubleshooting and FAQs

This section lists online access to troubleshoot your computer and to frequently asked questions in Lenovo forums. For more information, go to: <https://www.lenovo.com/tips>, or <https://forums.lenovo.com>.

Recovery

Use the following recovery options to reset or restore your computer when your computer comes with issues.

- Use Lenovo recovery options.
 1. Go to <https://support.lenovo.com/HowToCreateLenovoRecovery>.
 2. Follow the on-screen instructions.
- Use Windows recovery options.
 1. Go to <https://pcsupport.lenovo.com>.
 2. Detect your computer or manually select your computer model.
 3. Navigate to the troubleshooting menu to diagnose the operating system for recovery instructions.

Chapter 3. Advanced configurations

Set the power plan

For ENERGY STAR® compliant computers, the following power plan takes effect when your computers have been idle for a specified duration:

- Turn off the display: After 10 minutes
- Put the computer to sleep: After 25 minutes

To awaken the computer from Sleep mode, press any key on your keyboard.

To reset the power plan:

1. Type **Power Options** in the Windows search box and then press **Enter**.
2. Choose or customize a power plan of your preference.

Use software security solutions

The following software solutions help secure your computer and information.

- **Windows Security**

Windows Security is a software built-in to the operating system. It continually scans for malicious software, viruses, and other security threats. Besides, Windows updates are downloaded automatically to help keep your computer safe. Windows Security also enables you to manage tools including firewall, account protection, application and browser control, and so on.

- **Antivirus programs**

Lenovo preinstalls a full-version antivirus software on selected models of computer. It helps defend the computer against viruses, safeguard your identity, and keep your personal information secured.

- **Absolute Persistence**

Absolute Persistence technology is embedded in firmware. It detects changes that happen on the hardware, software, or the call-in location. It keeps you always knowing what condition the computer is in. To activate the technology, you have to purchase a subscription to Absolute.

Note: For more information about how to use these software solutions, refer to their help systems respectively.

Use BIOS security solutions

This section provides BIOS solutions to secure your computer and information.

Wipe the storage drive data

It is recommended that you wipe the storage drive data before recycling the storage drive or the computer.

To wipe the storage drive data:

1. Restart the computer. When the logo screen is displayed, press **F1** or **Fn+F1**.
2. Select **Security** → **secure wipe** → **Enabled**.
3. Press **F10** or **Fn+F10** to save the changes and exit.
4. Restart the computer. When the logo screen is displayed, press **F12** or **Fn+F12**.

5. Select **App Menu** → **secure wipe** and press Enter.
6. Select the storage drive you will wipe and click **NEXT**.
7. Select the entire storage drive or partition to wipe as desired.
8. Select the method as desired and click **NEXT**.
9. Click **Yes** to confirm your option when the prompting window is displayed.
10. If you have set a hard disk password for the storage drive, enter the password. Otherwise, set a temporary password following the on-screen instructions. Then, click **NEXT**. The wiping process begins.

Note: Duration of the wiping process varies depending on the storage drive capacity.

11. Click **Reboot** when you are prompted to reset the system, and then one of the following will happen:
 - If the system storage drive data is wiped, you will be prompted that no operating system is found.
 - If the non-system storage drive data is wiped, the computer restarts automatically.

Cover presence switch

The cover presence switch prevents the computer from logging in to the operating system when the computer cover is not properly installed or closed.

To enable the cover presence switch connector on the system board:

1. Restart the computer. When the logo screen is displayed, press F1 or Fn+F1.
2. Select **Security** → **Cover Tamper Detected** and press Enter.
3. Select **Enabled** and press Enter.
4. Press F10 or Fn+F10 to save the changes and exit.

If the cover presence switch is enabled and the computer cover is not correctly installed or closed, an error message will be displayed when you turn on the computer. To bypass the error message and log in to the operating system:

1. Properly install or close the computer cover.
2. Enter the BIOS menu, save and then exit.

Intel BIOS guard

The Intel® BIOS Guard module cryptographically verifies all BIOS updates. This hardware-based security helps prevent software and malware attacks on the computers BIOS.

Smart USB Protection

The Smart USB Protection function is a security function that helps prevent data from being copied from the computer to USB storage devices connected to the computer. You can set the Smart USB Protection function to one of the following modes:

- **Disabled** (default setting): You can use the USB storage devices without limitation.
- **Read Only**: You cannot copy data from the computer to the USB storage devices. However, you can access data on the USB storage devices.
- **No Access**: You cannot access the USB storage devices from the computer.

To configure the Smart USB Protection function:

1. Restart the computer. When the logo screen is displayed, press F1 or Fn+F1.
2. Select **Security** → **Smart USB Protection** and press Enter.
3. Select the desired setting and press Enter.

4. Press F10 or Fn+F10 to save the changes and exit.

UEFI BIOS passwords

You can set passwords in UEFI (Unified Extensible Firmware Interface) BIOS (Basic Input/Output System) to strengthen the security of your computer.

Password types

You can set a power-on password, supervisor password, system management password, or hard disk password in UEFI BIOS to prevent unauthorized access to your computer. However, you are not prompted to enter any UEFI BIOS password when your computer resumes from sleep mode.

- Power-on password

When a power-on password is set, you are prompted to enter a valid password each time the computer is turned on.

- Supervisor password

Setting a supervisor password deters unauthorized users from changing configuration settings. If you are responsible for maintaining the configuration settings of several computers, you might want to set a supervisor password.

When a supervisor password is set, you are prompted to enter a valid password each time you try to enter the BIOS menu.

If both the power-on password and supervisor password are set, you can enter either password. However, you must use your supervisor password to change any configuration settings.

- Hard disk password

Setting a hard disk password prevents unauthorized access to the data on the storage drive. When a hard disk password is set, you are prompted to enter a valid password each time you try to access the storage drive.

Note: After you set a hard disk password, your data on the storage drive is protected even if the storage drive is removed from one computer and installed in another.

- System management password (for selected models)

You can enable the system management password to have the same authority as the supervisor password to control security related features. To customize the authority of the system management password through the UEFI BIOS menu:

1. Restart the computer. When the logo screen is displayed, press F1 or Fn+F1.
2. Select **Security** → **System Management Password Access Control**.
3. Follow the on-screen instructions.

If you have set both the supervisor password and the system management password, the supervisor password overrides the system management password.

Set, change, and remove a password

Before you start, print these instructions.

1. Restart the computer. When the logo screen is displayed, press F1 or Fn+F1.
2. Select **Security**.
3. Depending on the password type, select **Set Supervisor Password**, **Set Power-On Password**, **Set System Management Password**, or **Hard Disk Password** and press Enter.
4. Follow the on-screen instructions to set, change, or remove a password.
5. Press F10 or Fn+F10 to save the changes and exit.

You should record your passwords and store them in a safe place. If you forget the passwords, contact a Lenovo-authorized service provider to have the passwords removed.

Note: If the hard disk password is forgotten, Lenovo cannot remove the password or recover data from the storage drive.

Certificate-based BIOS management

Certificate-based BIOS authentication (also called the password-less management mode) provides more secure UEFI BIOS management with password-free solution. It is used to replace the supervisor password / system management password for authentication if you have set one.

Note: Supervisor password / system management password are disabled automatically when certificate mode is enabled. But the power-on password / hard disk password still can be used normally in certificate mode if you have set one.

For certificate enrollment, see *Certificate Enrollment Guide* at: https://support.lenovo.com/docs/certificate_enrollment_guide

Enter the BIOS menu with certificate

Once you have enrolled the certificate, you can enter the BIOS menu with the certificate.

1. Restart the computer. When the logo screen is displayed, press F1 or Fn+F1 to enter the BIOS menu.
2. The QR code is displayed. Scan the QR code to save the request data and send the request data to IT admin by e-mail or phone.

Note: If you choose to authenticate without the QR code, save the request data in a USB key and send the request data to IT admin by e-mail or phone.

3. Enter the unlock code provided by IT admin and click **OK**.

Notes:

- The unlock encode is a one-time password and is valid only during logon prompt (in one power-on cycle) for up to two hours.
- If you click **Skip**, you can enter the BIOS setup menu without BIOS management authority. But certificate reset is allowed.

Reset certificate

The enrolled certificate cannot be disabled. You can reset or remove it:

1. Restart the computer. When the logo screen is displayed, press F1 or Fn+F1.
2. Enter the BIOS menu with the certificate or skip the certification authentication process.
3. Select **Security** → **Certificate-based BIOS Authentication** → **Reset Certificate**.
4. Follow the on-screen instructions to enter the reset code provided by IT admin.

What is UEFI BIOS

Note: The operating system settings might override any similar settings in UEFI BIOS.

UEFI BIOS is the first program that the computer runs when the computer is turned on. UEFI BIOS initializes the hardware components and loads the operating system and other programs. Your computer comes with a setup program with which you can change UEFI BIOS settings.

Enter the BIOS menu

Restart the computer. When the logo screen is displayed, press F1 or Fn+F1 to enter the BIOS menu.

Note: If you have set BIOS passwords, enter the correct passwords when prompted. You also can select **No** or press Esc to skip the password prompt and enter the BIOS menu. However, you cannot change the system configurations that are protected by passwords.

Navigate in the BIOS interface

Attention: The default configurations are already optimized for you in **boldface**. Improper change of the configurations might cause unexpected results.

Depending on your keyboard, you can navigate in the BIOS interface by pressing the following keys, or combinations of Fn and the following keys:

Key	Function
F1 or Fn+F1	General Help
Esc or Fn+Esc	Exit the submenu
↑ ↓ or Fn+↑ ↓	Locate an item
← → or Fn+← →	Move keyboard focus
+/- or Fn++/-	Change value
Enter	Enter the submenu
F9 or Fn+F9	Setup Defaults
F10 or Fn+F10	Save and exit

Change the display language of UEFI BIOS

UEFI BIOS supports three or four display languages: English, French, simplified Chinese, and Russian (for selected models).

To change the display language of UEFI BIOS:

1. Select **Main → Language** and press Enter.
2. Set the display language as desired.

Change the display mode of UEFI BIOS (for selected models)

You can use UEFI BIOS in the graphic mode or the text mode according to your needs.

The keys on the keyboard used to perform various tasks are displayed at the bottom of the screen. In addition to the keyboard, you also can use the mouse to make selections.

To change the display mode of UEFI BIOS:

1. Restart the computer. When the logo screen is displayed, press F1 or Fn+F1.
2. Select **Main → Setup Mode Select** and press Enter.
3. Set the display mode as desired.

Set the system date and time

1. Restart the computer. When the logo screen is displayed, press F1 or Fn+F1.
2. Select **Main → System Time & Date** and press Enter.
3. Set the system date and time as desired.
4. Press F10 or Fn+F10 to save the changes and exit.

Change the priority boot order

If the computer does not boot from a device as expected, you can change the boot priority order permanently or select a temporary boot device.

Change the priority boot order permanently

1. Depending on the type of the storage device, do one of the following:
 - If the storage device is internal, go to step 2.
 - If the storage device is a disc, ensure that the computer is on or turn on the computer. Then, insert the disc into the optical drive.
 - If the storage device is an external device other than a disc, connect the storage device to the computer.
2. Restart the computer. When the logo screen is displayed, press F1 or Fn+F1.
3. Select **Startup → Priority Boot Order**, and then follow the on-screen instructions to change the boot priority order.
4. You can also select the first priority device group by selecting **Startup → First Boot Device**, and then follow the on-screen instructions to select the first boot device within this group. Your computer will boot from the first boot device before trying the boot priority order you set in the previous step.
5. Press F10 or Fn+F10 to save the changes and exit.

Select a temporary boot device

Note: Not all discs and storage drives are bootable.

1. Depending on the type of the storage device, do one of the following:
 - If the storage device is internal, go to step 2.
 - If the storage device is a disc, ensure that the computer is on or turn on the computer. Then, insert the disc into the optical drive.
 - If the storage device is an external device other than a disc, connect the storage device to the computer.
2. Restart the computer. When the logo screen is displayed, press F12 or Fn+F12.
3. Select the storage device as desired and press Enter.

If you want to change the boot priority order permanently, select **Enter Setup** on Startup Device Menu and press Enter to enter the BIOS menu.

Enable or disable the configuration change detection feature

If you enable configuration change detection, when the POST detects configuration changes of some hardware devices (such as storage drives or memory modules), an error message will be displayed when you turn on the computer.

To enable or disable the configuration change detection feature:

1. Restart the computer. When the logo screen is displayed, press F1 or Fn+F1.
2. Select **Security** → **Configuration Change Detection** and press Enter.
3. Enable or disable the feature as desired.
4. Press F10 or Fn+F10 to save the changes and exit.

To bypass the error message and log in to the operating system, press F2 or Fn+F2. To clear the error message, enter the BIOS menu, save and then exit.

Enable or disable the automatic power-on feature

The Automatic Power On item in UEFI BIOS provides various options for you to make your computer start up automatically.

To enable or disable the automatic power-on feature:

1. Restart the computer. When the logo screen is displayed, press F1 or Fn+F1.
2. Select **Power** → **Automatic Power On** and press Enter.
3. Select the feature as desired and press Enter.
4. Enable or disable the feature as desired.
5. Press F10 or Fn+F10 to save the changes and exit.

Enable or disable the ErP LPS compliance mode

Lenovo computers meet the eco-design requirements of the ErP Lot 3 regulation. For more information, go to:

<https://www.lenovo.com/us/en/compliance/eco-declaration>

You can enable the ErP LPS compliance mode to reduce the consumption of electricity when the computer is off or in sleep mode.

To enable or disable the ErP LPS compliance mode:

1. Restart the computer. When the logo screen is displayed, press F1 or Fn+F1.
2. Select **Power** → **Enhanced Power Saving Mode** and press Enter.
3. Depending on whether you select **Enabled** or **Disabled**, do one of the following:
 - If you select **Enabled**, press Enter. Then, select **Power** → **Automatic Power On** and press Enter. Check whether the Wake on LAN feature is disabled automatically. If no, disable it.
 - If you select **Disabled**, press Enter. Then, go to the next step.
4. Press F10 or Fn+F10 to save the changes and exit.

When the ErP LPS compliance mode is enabled, you can wake up the computer by doing one of the following:

- Press the power button.
- Enable the Wake Up on Alarm feature to make the computer wake up at a set time.

To meet the off mode requirement of ErP compliance, you need to disable the Fast Startup function.

1. Go to **Control Panel** and view by large icons or small icons.
2. Click **Power Options** → **Choose what the power buttons do** → **Change settings that are currently unavailable**.

3. Clear the **Turn on fast startup (recommended)** option from the **Shutdown settings** list.

Change BIOS settings before installing a new operating system

BIOS settings vary by operating system. Change the BIOS settings before installing a new operating system.

Microsoft constantly makes updates to the Windows operating system. Before installing a particular Windows version, check the compatibility list for the Windows version. For details, go to:

<https://support.lenovo.com/us/en/solutions/windows-support>

To change the BIOS settings:

1. Restart the computer. When the logo screen is displayed, press F1 or Fn+F1.
2. From the main interface, select **Security** → **Secure Boot** and press Enter.
3. Depending on the operating system to be installed, do one of the following:
 - To install a Windows operating system that supports secure boot, select **Enabled** for **Secure Boot**.
 - To install an operating system that does not support secure boot, such as some Linux operating systems, select **Disabled** for **Secure Boot**.
4. Press F10 or Fn+F10 to save the changes and exit.

Update UEFI BIOS

When you install a new program, device driver, or hardware component, you might need to update UEFI BIOS. You can update the BIOS from your operating system or a flash update disc (supported only on selected models).

Download and install the latest UEFI BIOS update package by one of the following methods:

- From the Vantage app:

Open the Vantage app to check the available update packages. If the latest UEFI BIOS update package is available, follow the on-screen instructions to download and install the package.
- From the Lenovo Support Web site:
 1. Go to <https://pcsupport.lenovo.com>.
 2. Download the flash BIOS update driver for the operating system version or the ISO image version (used to create a flash update disc). Then, download the installation instructions for the flash BIOS update driver you have downloaded.
 3. Print the installation instructions and follow the instructions to update the BIOS.

Reset system to factory default

This feature allows you to reset the UEFI BIOS to the factory default settings, including all UEFI BIOS settings and internal data. It helps you wipe user data in case that you want to dispose of or reuse your computer.

1. Restart the computer. When the logo screen is displayed, press F1 to enter the UEFI BIOS menu.
2. Select **Security** → **Reset system to Factory Default** and press Enter.
3. Several warning windows might be displayed. Do the following before resetting the system to the factory default settings:
 - a. Reset the Certificate-based BIOS Authentication. Refer to “Certificate based BIOS management” on page 18.
 - b. Deactivate the Absolute Persistence Module.

- c. Remove the NVMe password if you have set one.
4. For computer models with RAID settings, a window is displayed to remind you of data damage. Select **Yes** to proceed.
5. A window is displayed to confirm all UEFI BIOS settings will be reset. Select **Yes** to proceed.

Note: If the **Intel AMT control** and **Absolute Persistence(R) Module** are permanently disabled, these settings cannot be reset successfully.

6. Enter the supervisor password, system management password or power-on password in the window prompted.

Your computer will restart immediately. It takes a few minutes to complete the initialization process. Your computer screen might be blank during this process. This is normal and you should not interrupt it.

View UEFI BIOS Event logs

The UEFI BIOS Event log viewer provides the brief information about UEFI BIOS events. Do the following to view the logs:

1. Restart the computer. When the logo screen is displayed, press F1.
2. Select **Main → BIOS Event log**. Then, press Enter. The UEFI BIOS Event log interface is displayed.
3. Navigate the interface by pressing the following keys, and then check details by selecting each item.
 - ↑ ↓: Move keyboard focus
 - PgUp / PgDn: Scroll page
 - Enter: Select
 - F3: Exit

The following UEFI BIOS event logs might be listed on your screen depending on UEFI BIOS activities. Each log consists of a date, a time, and a description of the event.

- **Power On** event: This log shows the Power On Self Test (POST) routine has started with the power-on process. It includes the power-on reason, the boot mode, and the shutdown reason.
- **Subcomponent Code Measurement** event: This log shows the subcomponent code measurement has worked. It includes the validation result of each component.
- **System Preboot Authentication** event: This log shows what credential is provided to gain preboot authentication. It includes the installed password, the password type, the input device, and the authentication result.
- **BIOS Password Change** event: This log shows the change history of the UEFI BIOS passwords. It includes the password type, the type and result of the event.
- **Subcomponent Self-healing** event: This log shows the information about the subcomponent where the recovery event occurred. It includes the cause and result of the event, and the recovered firmware version.
- **BIOS Setup Configuration Change** event: This log shows the change history of the UEFI BIOS Setup configuration. It includes the item name and value.
- **Device Change** event: This log shows the change history of devices. It includes the cause and type of the event.
- **System Boot** event: This log shows which device was utilized to boot the system. It includes the boot option, the description, and the file path list.
- **System Tamper** event: This log shows the occurrence of system tamper events. It includes the cause and type of the event.
- **POST Error** event: This log shows the occurrence of errors during the POST routine. It includes the error code.

- **Flash Update** event: This log shows the occurrence of flash update. It includes the cause and result of the event, and the updated firmware version.
- **Capsule Update** event: This log shows the occurrence of UEFI capsule firmware update. It includes the cause and result of the event, and the updated firmware version.
- **Log Cleared** event: This log shows UEFI BIOS event logs are cleared. It includes the cause and result of the event.
- **Shutdown / Reboot** event: This log shows the UEFI BIOS is successfully shut down or the system is rebooted. It includes the cause and type of the event.

Chapter 4. RAID

What is RAID

Redundant Array of Independent Disks (RAID) is a technology that provides increased storage functions and reliability through redundancy. It also can improve data storage reliability and fault tolerance compared with single-drive storage systems. Data loss resulting from a drive failure can be prevented by reconstructing missing data from the remaining drives.

When a group of independent physical storage drives is set up to use RAID technology, they are in a RAID array. This array distributes data across multiple storage drives, but the array appears to the host computer as one single storage unit. Creating and using RAID arrays provides high performance, such as the expedited I/O performance, because several drives can be accessed simultaneously.

Configure RAID with AVAGO MegaRAID Configuration Utility

To configure RAID with AVAGO MegaRAID Configuration Utility, ensure that:

- An AVAGO MegaRAID adapter is installed in your computer.
- The storage drives used for RAID configuration are connected to the installed AVAGO MegaRAID adapter instead of the system board.

Storage drive requirements for RAID levels

Your computer supports the following RAID levels:

- RAID 0: striped disk array
 - Consists of at least two NVMe storage drives
 - Supported strip size: 64 KB, 128 KB, 256 KB, 512 KB, or 1 MB
 - Better performance without fault tolerance
- RAID 1: mirrored disk array
 - Consists of two or four NVMe storage drives
 - Improved read performance and 100% redundancy
- RAID 10: striped and mirrored disk array (a combination of RAID 0 and RAID 1)
 - Consists of four NVMe storage drives
 - Data being striped across storage drive groups
 - Provides both high data transfer rates and complete data redundancy
- RAID 5: block-level striped disk array with distributed parity
 - Consists of at least three NVMe storage drives
 - Supported strip size: 64 KB, 128 KB, 256 KB, 512 KB, or 1 MB
 - Better performance and fault tolerance
 - Available only on selected models of AVAGO MegaRAID adapters
- RAID 6: block-level striped disk array with dual distributed parity
 - Consists of at least four NVMe storage drives
 - Supported strip size: 64 KB, 128 KB, 256 KB, 512 KB, or 1 MB
 - Better performance and fault tolerance that can stand up to loss of two storage drives

- Available only on selected models of AVAGO MegaRAID adapters

Create a RAID volume

Attention: All the existing data stored on the selected drives will be erased while the RAID volume is being created.

To create a RAID volume:

1. Restart the computer. When the logo screen is displayed, press F1 or Fn+F1.
2. Select **Advanced** → **AVAGO MegaRAID Configuration Utility** and press Enter.
3. Select **Main Menu** and press Enter.
4. Select **Configuration Management** and press Enter.
5. Select **Create Virtual Drive** and press Enter.
6. Select and configure the options one by one.
 - a. **Select RAID Level:** You can set the RAID level to one of the following:
 - **RAID0**
 - **RAID1**
 - **RAID5**
 - **RAID6**
 - **RAID10**
 - b. **Select Drives From:** Select **Unconfigured capacity** or **Free capacity** depending on your needs and press Enter.
 - c. **Select Drives:** Select a storage drive and press Enter. After selecting all storage drives for creating the RAID volume, select **Apply Changes** and press Enter. When promoted, select **Confirm** and press Enter. Then, select **Yes** and press Enter to save the storage drive selection. Finally, select **OK** and press Enter.
 - d. **Virtual Drive Name:** You can type a preferred name for the volume name.
 - e. **Strip Size** (if applicable): Select a strip size and press Enter.
7. Select **Save Configuration** and press Enter. When promoted, select **Confirm** and press Enter. Then, select **Yes** and press Enter to confirm the creation of the RAID volume.
8. Press F10 or Fn+F10 to save the changes and exit.

View the information about a RAID volume

To view the information about a RAID volume:

1. Restart the computer. When the logo screen is displayed, press F1 or Fn+F1.
2. Select **Advanced** → **AVAGO MegaRAID Configuration Utility** and press Enter.
3. Select **Main Menu** and press Enter.
4. Select **Virtual Drive Management** and press Enter.
5. Select a RAID volume and press Enter to view the detailed information.
6. Press F10 or Fn+F10 to save the changes and exit.

Delete a RAID volume

Attention: All the existing data stored on the selected drives will be erased after you delete RAID volumes.

To delete a RAID volume:

1. Restart the computer. When the logo screen is displayed, press F1 or Fn+F1.
2. Select **Advanced** → **AVAGO MegaRAID Configuration Utility**.
3. Select **Main Menu** and press Enter.
4. Select **Virtual Drive Management** and press Enter.
5. Select the RAID volume that is not needed and press Enter.
6. Under **Operation**, select **Delete Virtual Drive** and press Enter.
7. Select **Go** and press Enter. When prompted, select **Confirm** and press Enter. Then, select **Yes** and press Enter to delete the RAID volume.
8. Press F10 or Fn+F10 to save the changes and exit.

Chapter 5. CRU replacement

Customer Replaceable Units (CRUs) are parts that can be replaced by the customer. Lenovo computers contain the following types of CRUs:

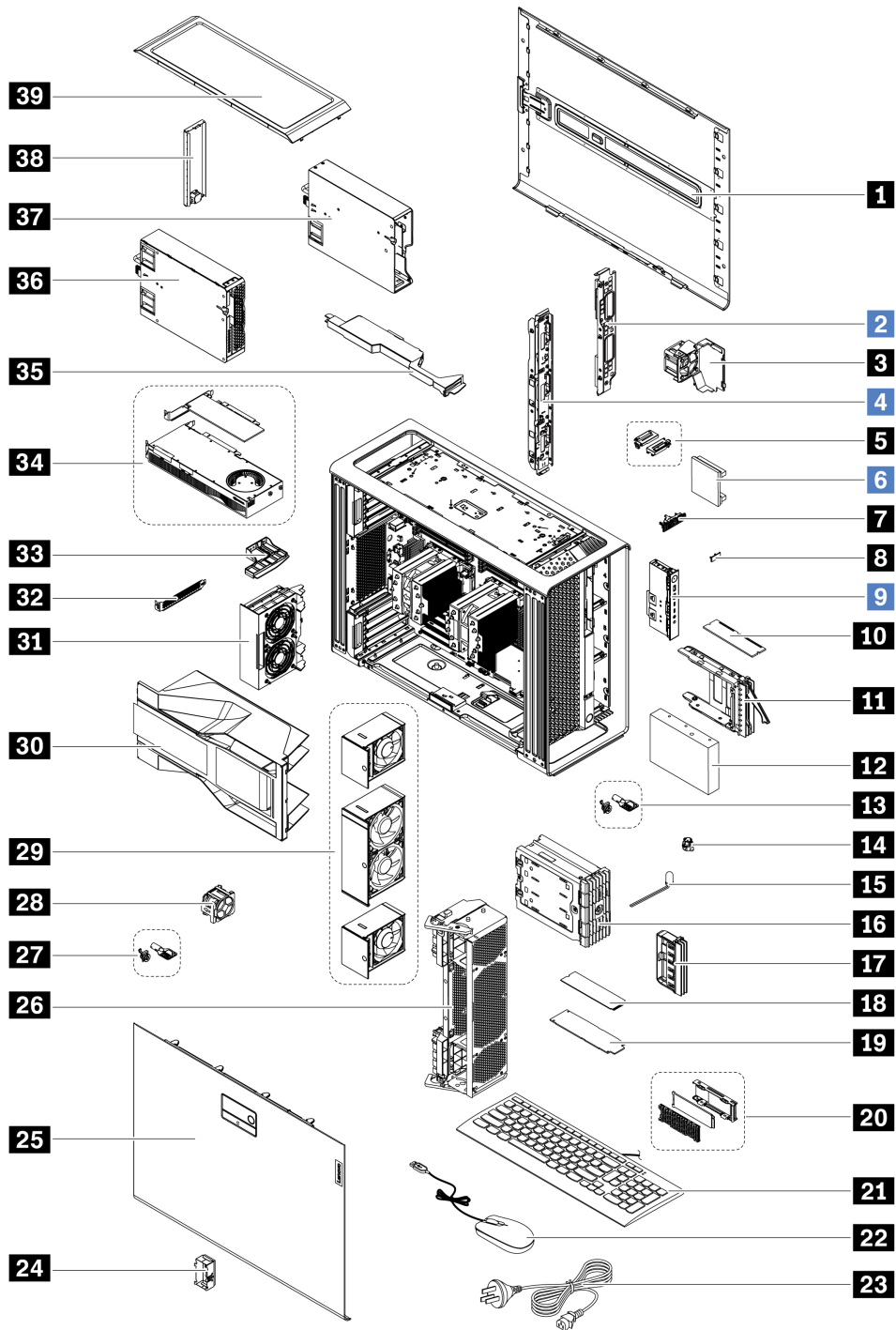
- **Self-service CRUs:** Refer to parts that can be replaced easily by customer themselves or by trained service technicians at an additional cost.
- **Optional-service CRUs:** Refer to parts that can be replaced by customers with a greater skill level. Trained service technicians can also provide service to replace the parts under the type of warranty designated for the customer's machine.

If you intend on installing the CRU, Lenovo will ship the CRU to you. CRU information and replacement instructions are shipped with your product and are available from Lenovo at any time upon request. You might be required to return the defective part that is replaced by the CRU. When return is required: (1) return instructions, a prepaid shipping label, and a container will be included with the replacement CRU; and (2) you might be charged for the replacement CRU if Lenovo does not receive the defective CRU within thirty (30) days of your receipt of the replacement CRU. For full details, see the Lenovo Limited Warranty documentation at:

https://www.lenovo.com/warranty/llw_02

CRU list

The following is the CRU list of your computer.



Number	Description	Self-service CRU	Optional-service CRU
1	Right side cover	Yes	No
2	Power distribution board and bracket	No	Yes
3	Storage fan assembly	Yes	No
4	BCB board and bracket	No	Yes
5	Wi-Fi antenna cover	Yes	No

Number	Description	Self-service CRU	Optional-service CRU
6	NVLINK bridge*	No	Yes
7	ThinkStation logo badge	Yes	No
8	ID badge	Yes	No
9	Front panel IO assembly	No	Yes
10	Memory module	Yes	No
11	Hard disk drive bracket*	Yes	No
12	Hard disk drive*	Yes	No
13	Lock kit for the front access bay*	Yes	No
14	Think LED holder	Yes	No
15	Think LED cable	Yes	No
16	Dual M.2 or E1.S SSD enclosure*	Yes	No
17	Blank bezel	Yes	No
18	M.2 solid-state drive*	Yes	No
19	E1.S solid-state drive*	Yes	No
20	On board M.2 solid-state drive heatsink kit*	Yes	No
21	Keyboard	Yes	No
22	Mouse	Yes	No
23	Power cord	Yes	No
24	NVLINK retainer*	Yes	No
25	Left side cover	Yes	No
26	Front fan bracket	Yes	No
27	Lock kit for the left side cover*	Yes	No
28	Memory fan	Yes	No
29	Front fan assembly	Yes	No
30	CPU duct	Yes	No
31	Rear fan assembly	Yes	No
32	PCIe bracket	Yes	No
33	PCIe extender*	Yes	No
34	PCIe card	Yes	No
35	Super capacitor module*	Yes	No
36	Power supply assembly	Yes	No
37	PSU bay storage enclosure	Yes	No
38	Dummy cover for the upper PSU bay	Yes	No
39	Top cover	Yes	No

* for selected models

System board

Note: The system board might look slightly different from the illustration.

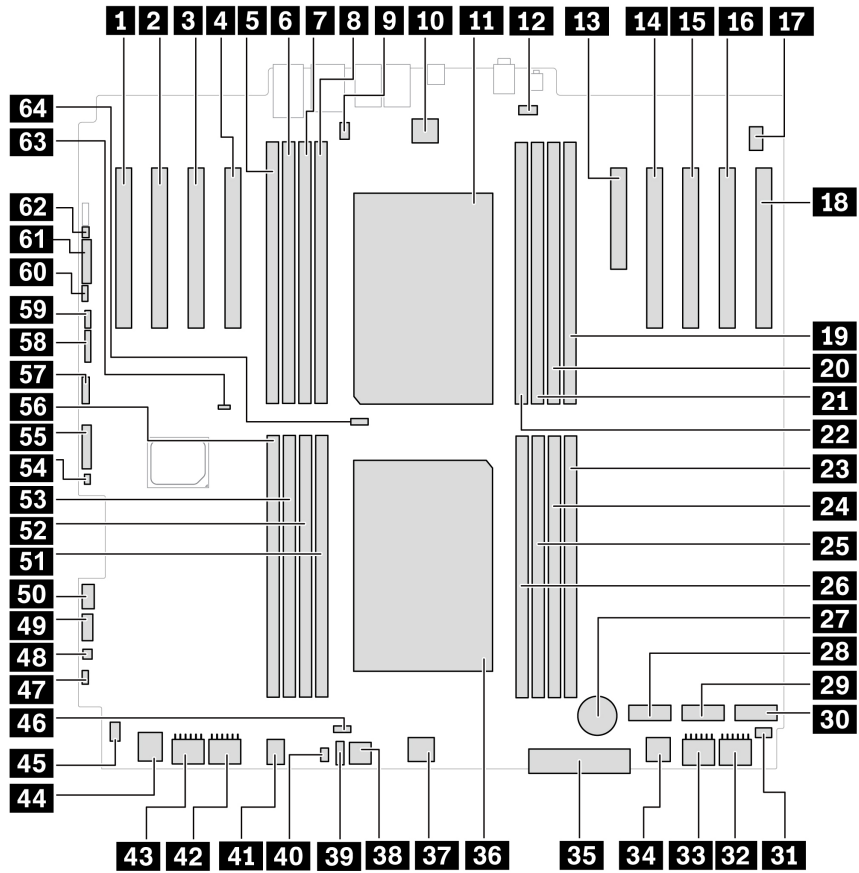


Figure 1. System board (front) part locations

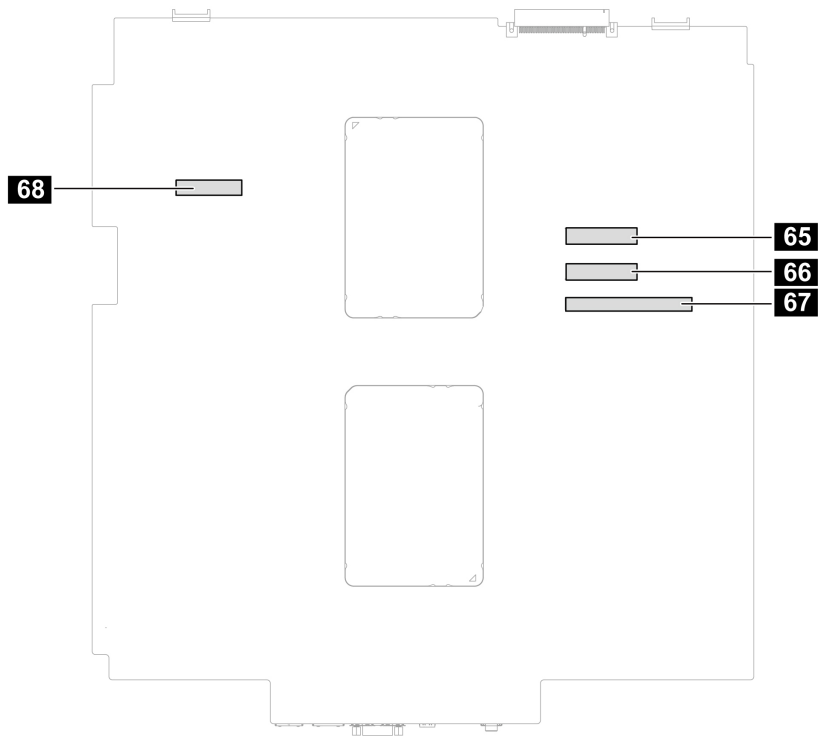


Figure 2. System board (back) part locations

Item	Item
1 PCIe card slot 9 (x 16, Gen4, Microprocessor 1)	21 PCIe card slot 8 (x 16, Gen5, Microprocessor 1)
3 PCIe card slot 7 (x 16, Gen4, Microprocessor 1)	4 PCIe card slot 6 (x 16, Gen5, Microprocessor 1)
5 Memory slot 9	6 Memory slot 10
7 Memory slot 11	8 Memory slot 12
9 Serial port (COM) connector	10 Rear-fan-assembly connector
11 Microprocessor 2*	12 Top memory-fan connector
13 PCIe card slot 5 (x 8, Gen4, Microprocessor 2)	14 PCIe card slot 4 (x 16, Gen5, Microprocessor 2)
15 PCIe card slot 3 (x 16, Gen5, Microprocessor 2)	16 PCIe card slot 2 (x 16, Gen4, Microprocessor 2)
17 Internal-speaker connector	18 PCIe card slot 1 (x 16, Gen4, Microprocessor 2)
19 Memory slot 16	20 Memory slot 15
21 Memory slot 14	22 Memory slot 13
23 Memory slot 1	24 Memory slot 2
25 Memory slot 3	26 Memory slot 4
27 Coin-cell battery	28 M.2 solid-state drive slot 3
29 M.2 solid-state drive slot 2	30 M.2 solid-state drive slot 1
31 Right cover presence switch connector (intrusion switch connector)	32 Graphics card power connector 4

Item	Item
33 Graphics card power connector 3	34 Front fan assembly connector 2
35 Front panel connector	36 Microprocessor 1
37 Front fan assembly connector 1	38 Misc power connector
39 Thermal sensor connector	40 Logo LED connector
41 Bottom memory-fan connector	42 Graphics card power connector 1
43 Graphics card power connector 2	44 Front fan assembly connector 3
45 Left cover presence switch connector (intrusion switch connector)	46 Microprocessor 1 fan connector
47 Power button header	48 Thunderbolt™ power connector
49 Thunderbolt control connector	50 USB 3.2 Gen1
51 Memory slot 5	52 Memory slot 6
53 Memory slot 7	54 Drive_ACT
55 Alternative Trusted Platform Module (TPM) header	56 Memory slot 8
57 USB 2.0	58 BMC
59 VROC	60 CLR_RTC
61 APS	62 Reset header
63 Clear CMOS jumper	64 Microprocessor 2 fan connector
65 MCIO connector 2	66 MCIO connector 1
67 Power distribution board connector	68 Drive_backplane

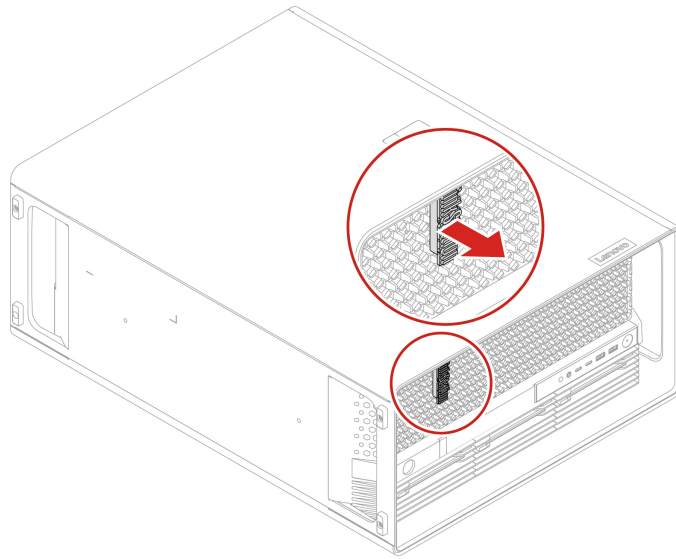
ThinkStation logo badge

Prerequisite

Before you start, read *Generic Safety and Compliance Notices*, and print the following instructions.

Removal steps

Remove the ThinkStation logo badge.



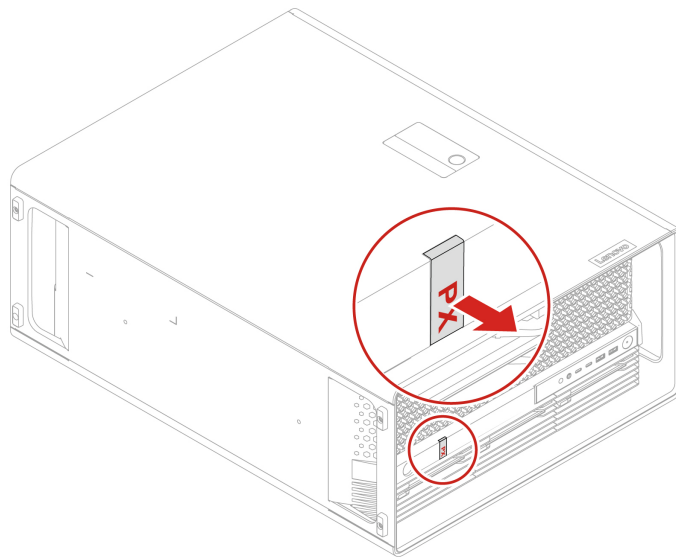
ID badge

Prerequisite

Before you start, read *Generic Safety and Compliance Notices*, and print the following instructions.

Removal steps

Remove the ID badge.



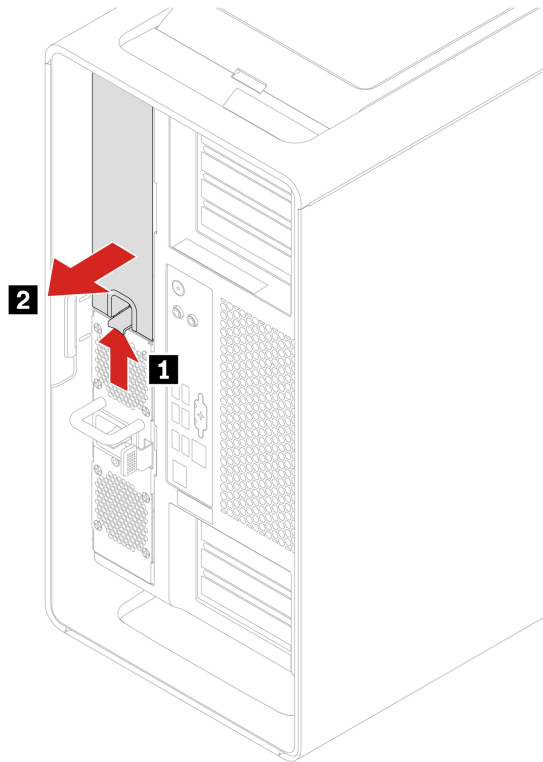
Dummy cover for the upper PSU bay

Prerequisite

Before you start, read *Generic Safety and Compliance Notices*, and print the following instructions.

Removal steps

Remove the dummy cover for the upper PSU bay.



Power supply assembly

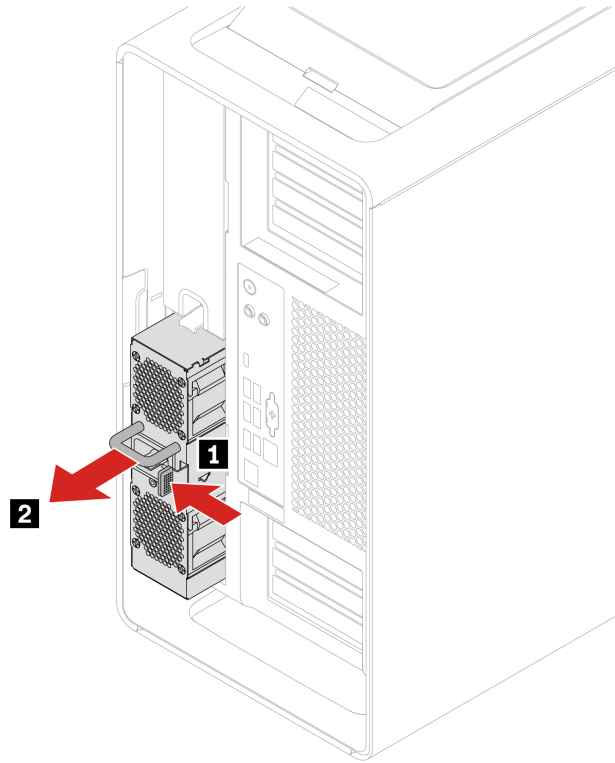
Prerequisite

Before you start, read *Generic Safety and Compliance Notices*, and print the following instructions.

The power supply assembly is hot-swappable.

Removal steps

Remove the power supply assembly.



Top cover

Prerequisite

Before you start, read *Generic Safety and Compliance Notices*, and print the following instructions.



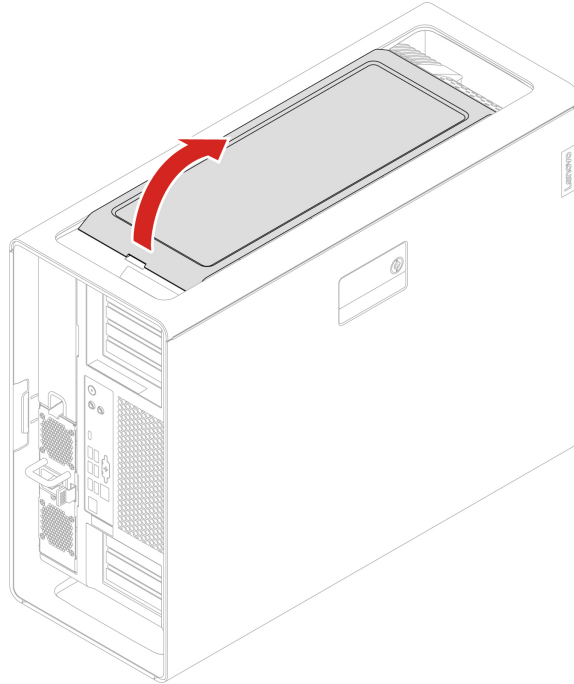
Before you open the computer cover, turn off the computer and wait several minutes until the computer is cool.

For access, do the following:

1. Remove any media from the drives and turn off all connected devices and the computer.
2. Disconnect all power cords from electrical outlets and disconnect all cables from the computer.

Removal steps

Remove the top cover.



Wi-Fi antenna cover

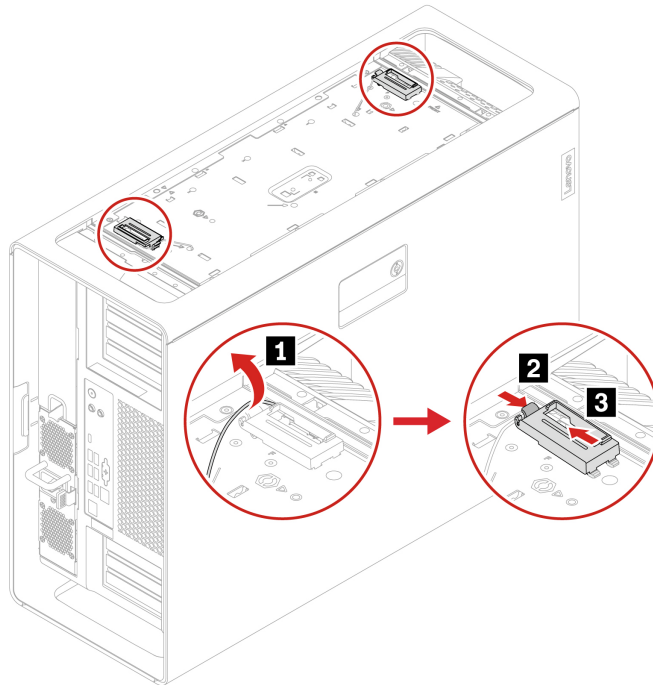
Prerequisite

Before you start, read *Generic Safety and Compliance Notices*, and print the following instructions.

For access, remove the top cover. See “Top cover” on page 37.

Removal steps

Remove the Wi-Fi antenna cover.



Left side cover

Prerequisite

Before you start, read *Generic Safety and Compliance Notices*, and print the following instructions.



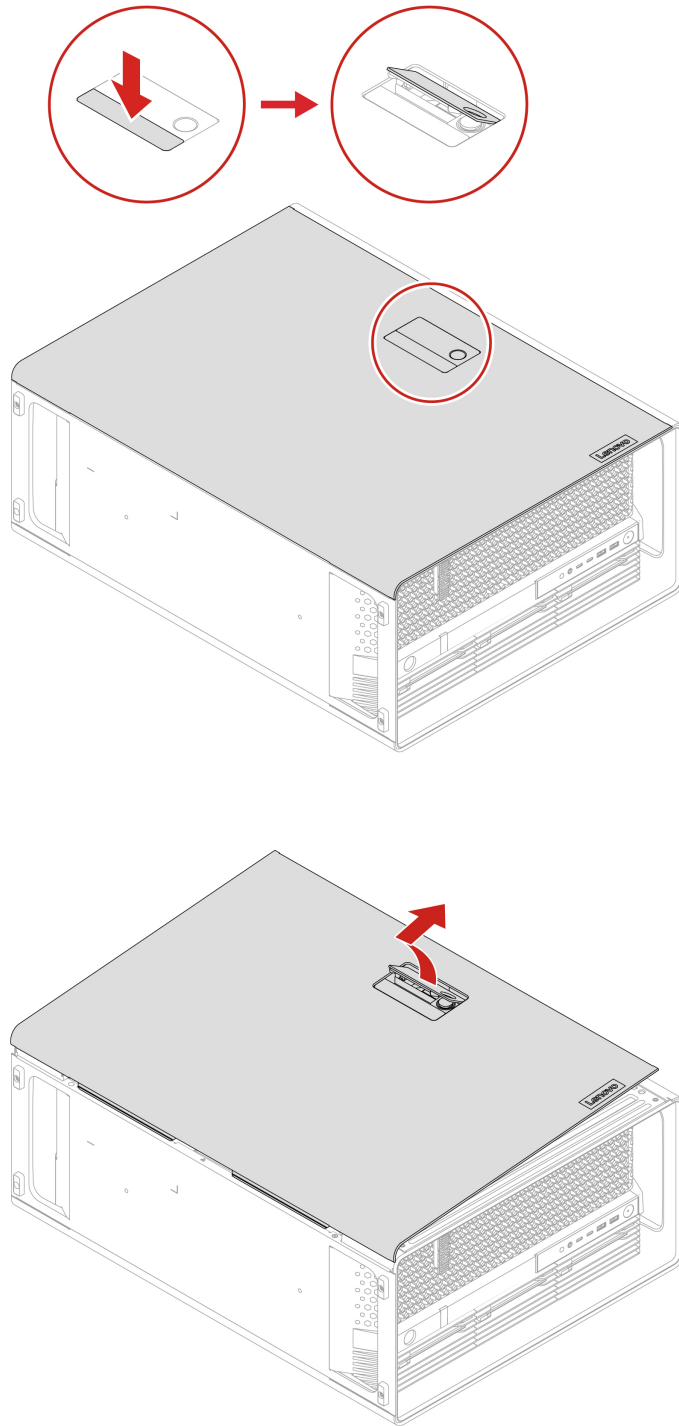
Before you open the computer cover, turn off the computer and wait several minutes until the computer is cool.

For access, do the following:

1. Remove any media from the drives and turn off all connected devices and the computer.
2. Disconnect all power cords from electrical outlets and disconnect all cables from the computer.
3. Unlock any locking device that secures the computer cover.
4. Lay the computer on its side for easier access to the left side cover.

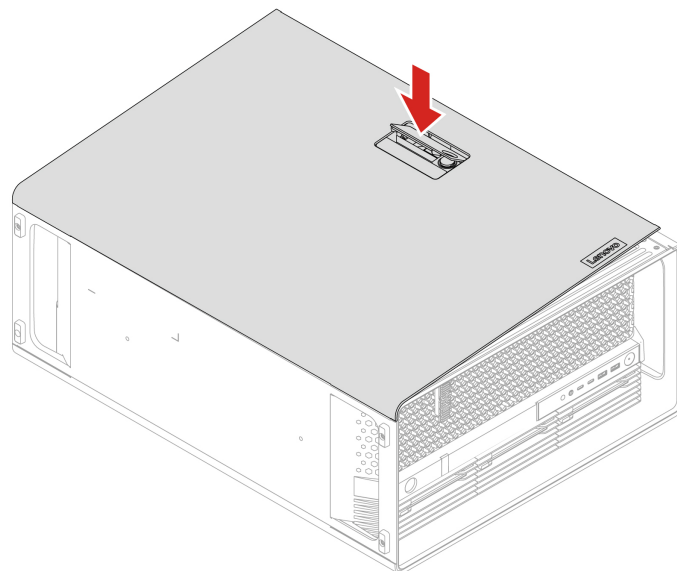
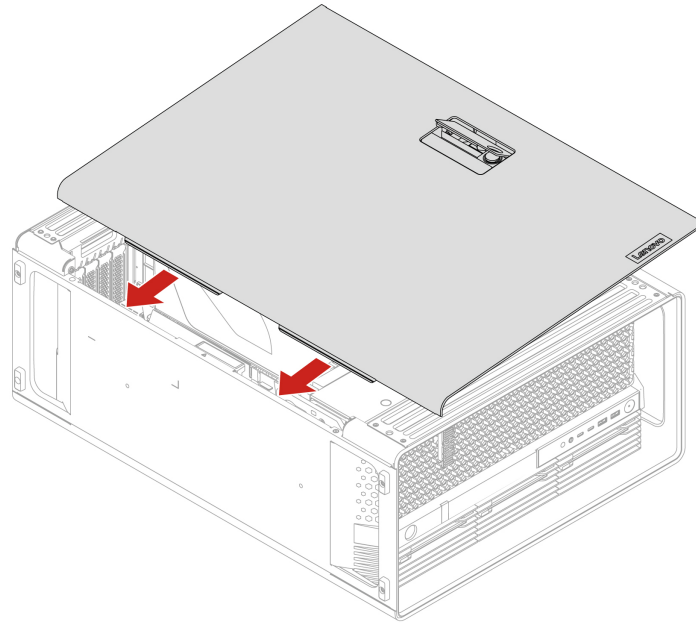
Removal steps

Remove the left side cover.



Installation steps

Install the left side cover.



Note: If a locking device is available, use it to lock the computer after installing the computer cover.

NVLINK retainer

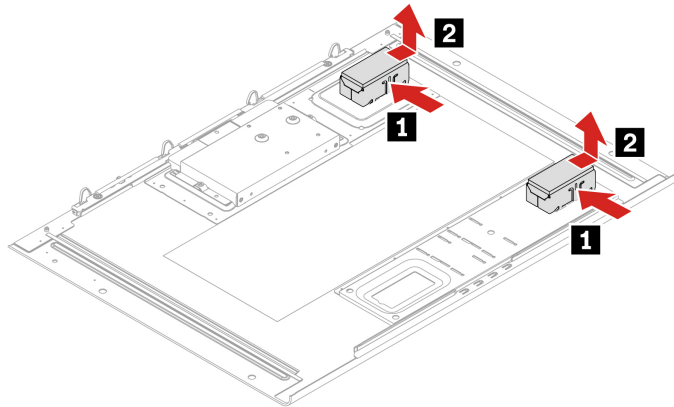
Prerequisite

Before you start, read *Generic Safety and Compliance Notices*, and print the following instructions.

For access, remove the left side cover. See “Left side cover” on page 39.

Removal steps

Remove the NVLINK retainer.



CPU duct

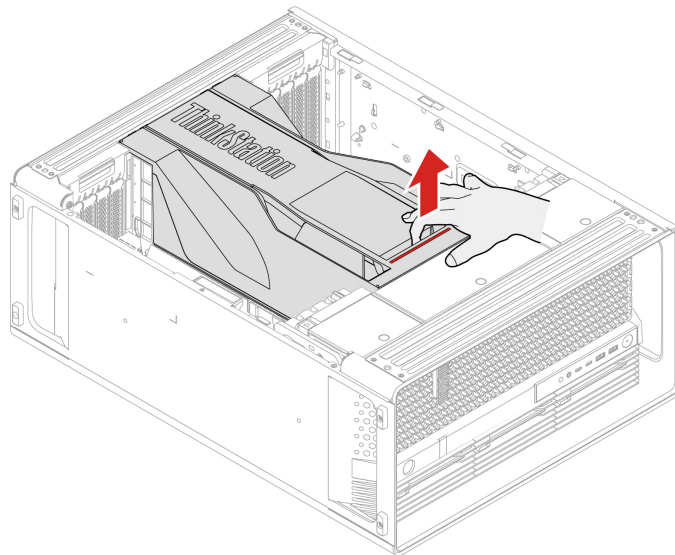
Prerequisite

Before you start, read *Generic Safety and Compliance Notices*, and print the following instructions.

For access, remove the left side cover. See “Left side cover” on page 39.

Removal steps

Remove the CPU duct.



Front fan assembly

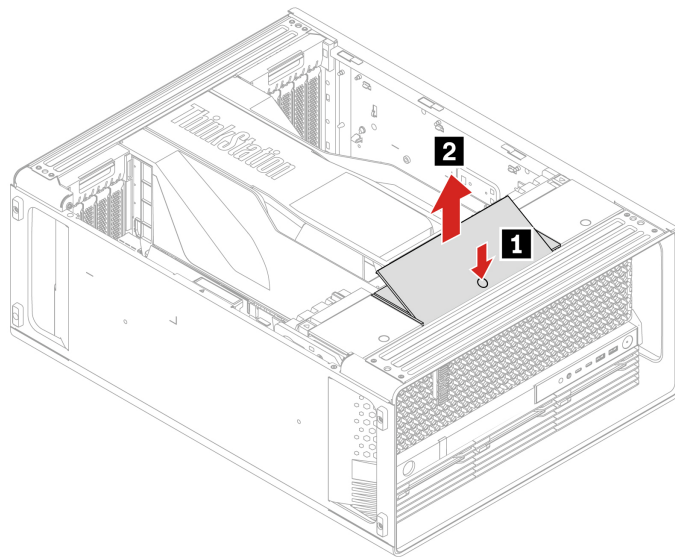
Prerequisite

Before you start, read *Generic Safety and Compliance Notices*, and print the following instructions.

For access, remove the left side cover. See “Left side cover” on page 39.

Removal steps

Remove the front fan assembly.



NVLINK bridge

Prerequisite

Before you start, read *Generic Safety and Compliance Notices*, and print the following instructions.

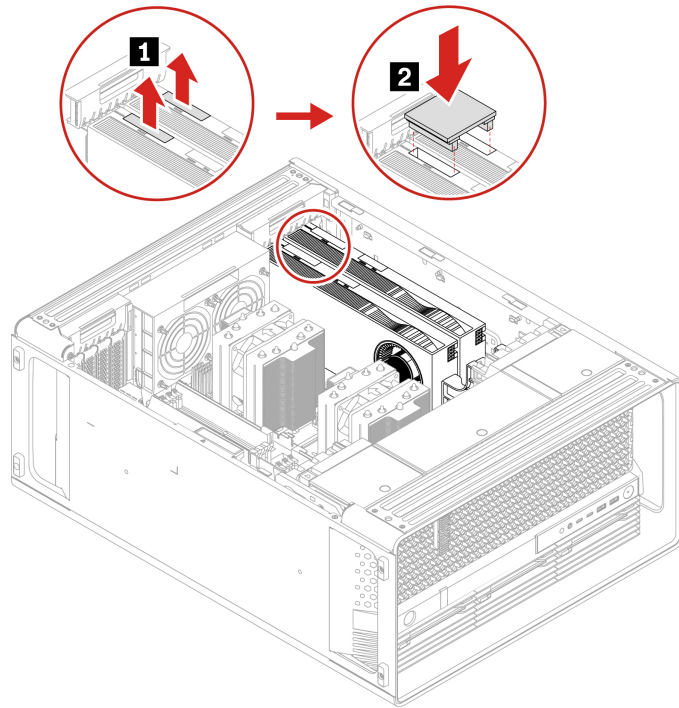
Note: The NVLINK bridge is shipped in an accessory box within the computer carton box. You need to take it out from the packaging and install it by yourself.

For access, do the following:

1. Remove the left side cover. See “Left side cover” on page 39.
2. Remove the CPU duct. See “CPU duct” on page 42.

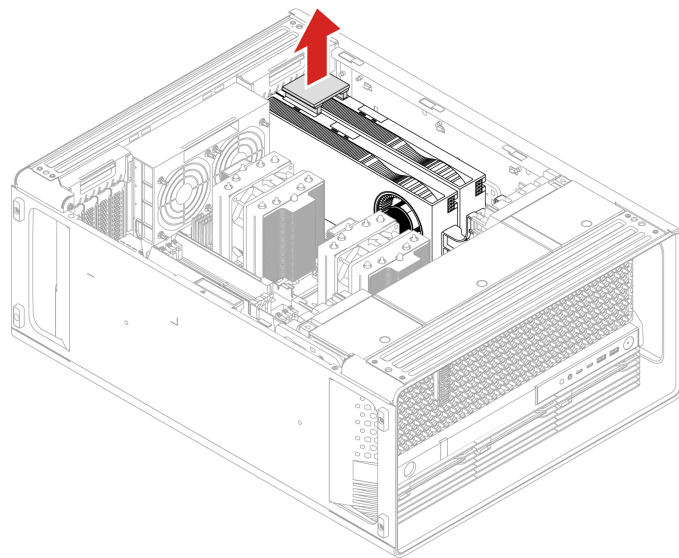
Installation steps

Install the NVLINK bridge.



Removal steps

Remove the NVLINK bridge.



Front fan bracket

Prerequisite

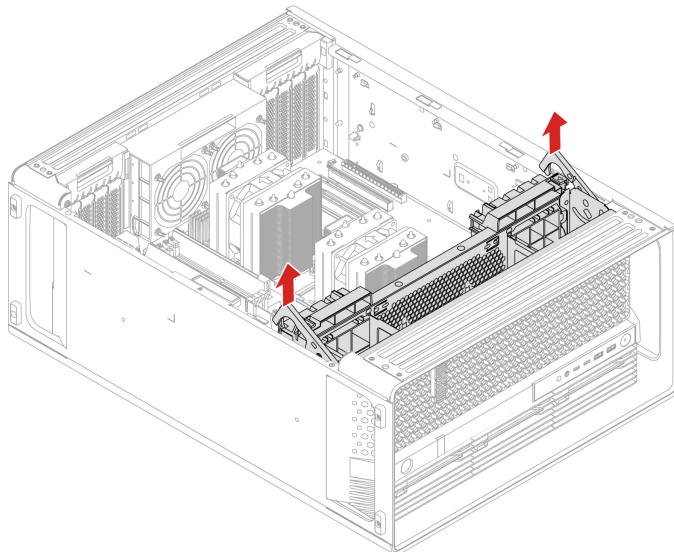
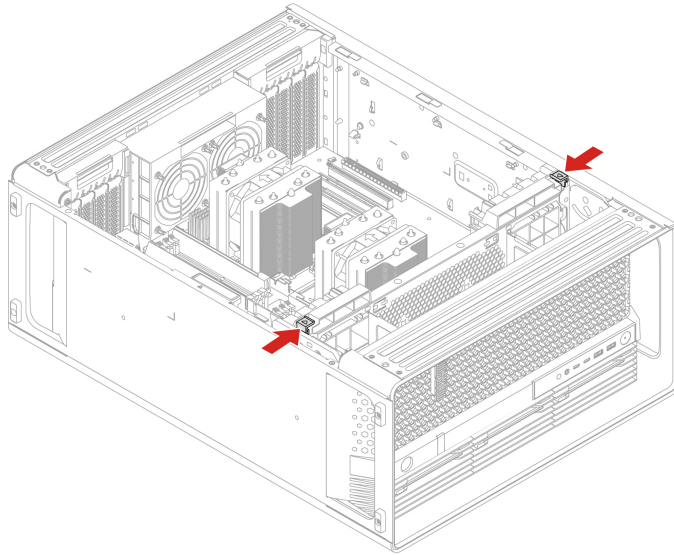
Before you start, read *Generic Safety and Compliance Notices*, and print the following instructions.

For access, do the following:

1. Remove the left side cover. See “Left side cover” on page 39.
2. Remove the CPU duct. See “CPU duct” on page 42.
3. Remove the front fan assembly. See “Front fan assembly” on page 43.

Removal steps

Remove the front fan bracket.



Rear fan assembly

Prerequisite

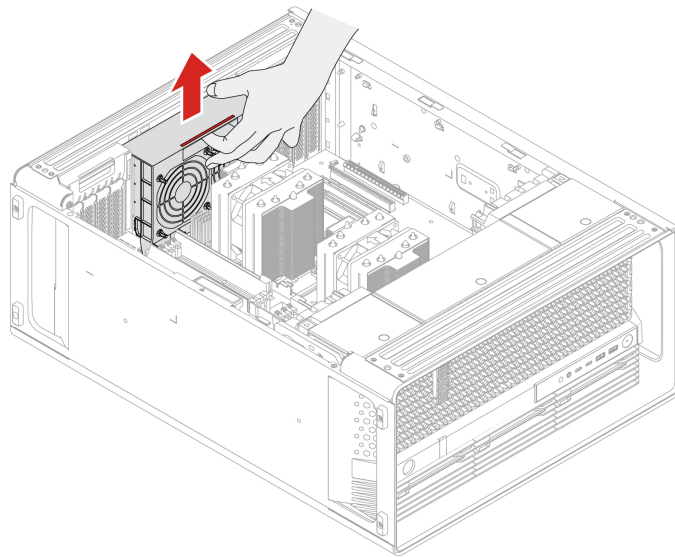
Before you start, read *Generic Safety and Compliance Notices*, and print the following instructions.

For access, do the following:

1. Remove the left side cover. See “Left side cover” on page 39.
2. Remove the CPU duct. See “CPU duct” on page 42.

Removal steps

Remove the rear fan assembly.



Blank bezel

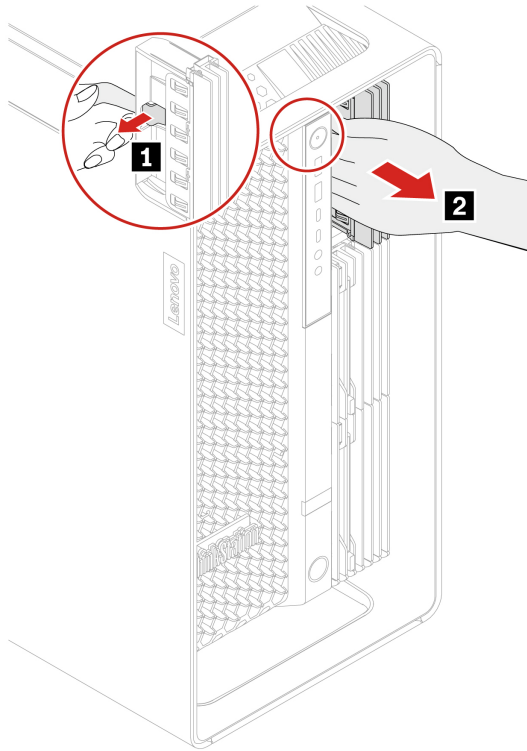
Prerequisite

Before you start, read *Generic Safety and Compliance Notices*, and print the following instructions.

For access, remove the hard disk drive bracket beside the blank bezel. See “Hard disk drive in the front access bay” on page 54.

Removal steps

Remove the blank bezel.



Front panel IO assembly

Prerequisite

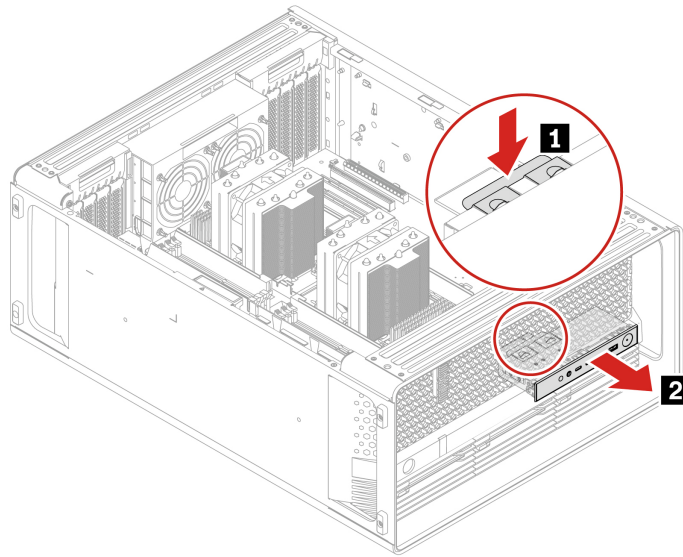
Before you start, read *Generic Safety and Compliance Notices*, and print the following instructions.

For access, do the following:

1. Remove the left side cover. See “Left side cover” on page 39.
2. Remove the CPU duct. See “CPU duct” on page 42.
3. Remove the front fan assembly. See “Front fan assembly” on page 43.
4. Remove the front fan bracket. See “Front fan bracket” on page 44.

Removal steps

Remove the front panel IO assembly.



Lock kit for the front access bay

Prerequisite

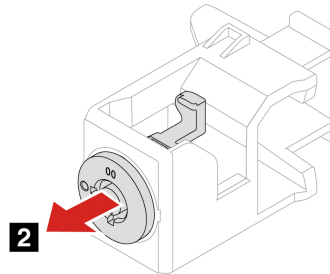
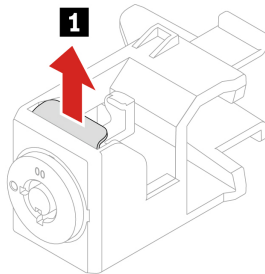
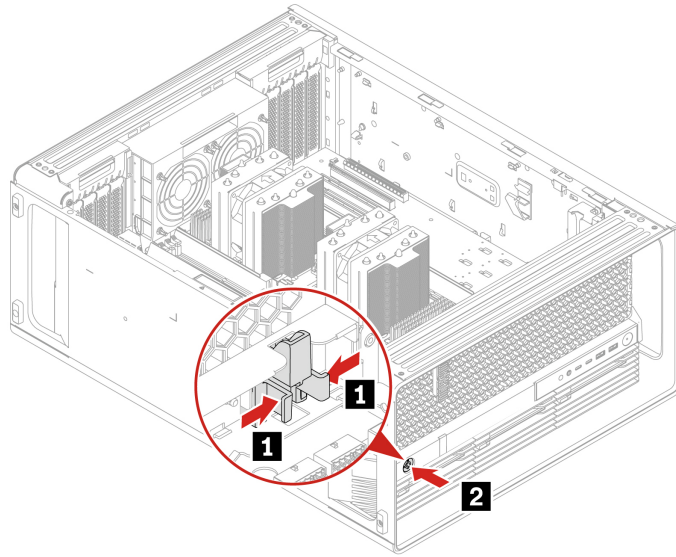
Before you start, read *Generic Safety and Compliance Notices*, and print the following instructions.

For access, do the following:

1. Remove the left side cover. See “Left side cover” on page 39.
2. Remove the CPU duct. See “CPU duct” on page 42.
3. Remove the front fan assembly. See “Front fan assembly” on page 43.
4. Remove the front fan bracket. See “Front fan bracket” on page 44.

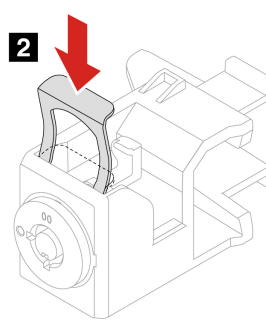
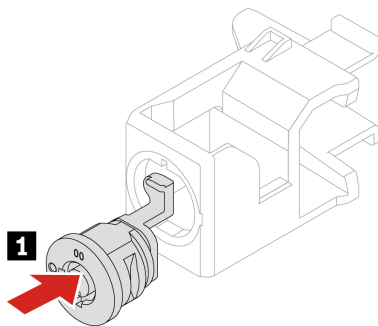
Removal steps

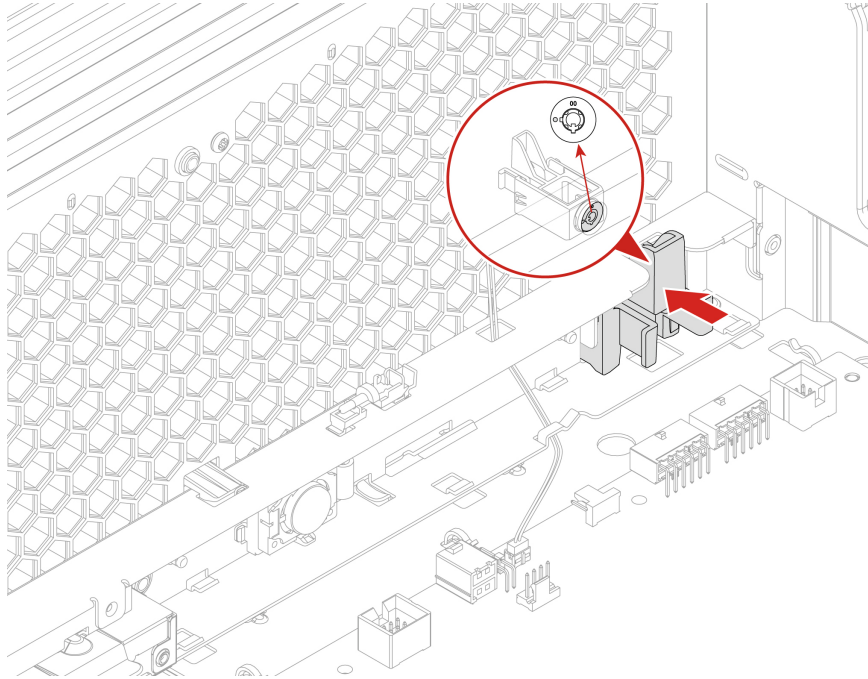
Remove the front access bay lock.



Installation steps

Install the front access bay lock.





Think LED holder and cable

Prerequisite

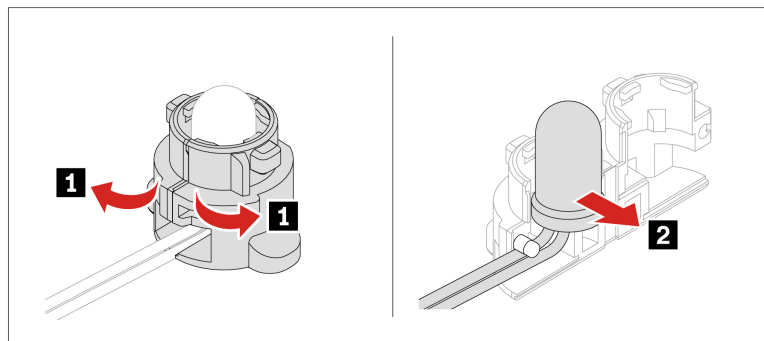
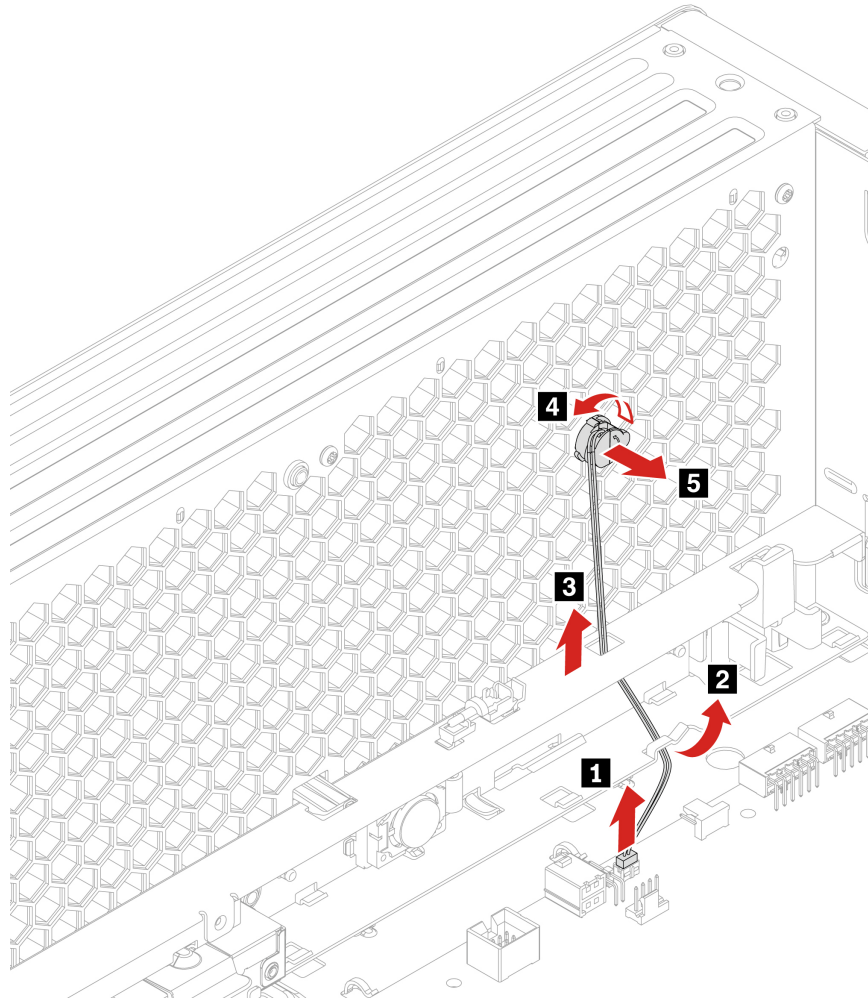
Before you start, read *Generic Safety and Compliance Notices*, and print the following instructions.

For access, do the following:

1. Remove the left side cover. See “Left side cover” on page 39.
2. Remove the CPU duct. See “CPU duct” on page 42.
3. Remove the front fan assembly. See “Front fan assembly” on page 43.
4. Remove the front fan bracket. See “Front fan bracket” on page 44.

Removal steps

Remove the Think LED holder and cable.



Lock kit for the left side cover

Prerequisite

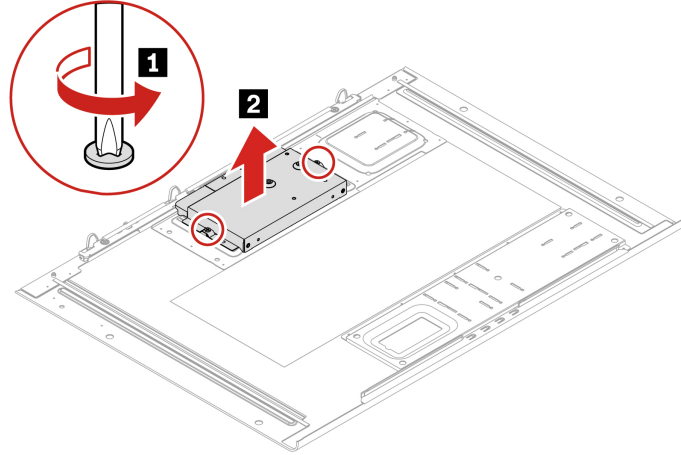
Before you start, read *Generic Safety and Compliance Notices*, and print the following instructions.

For access, remove the left side cover. See “Left side cover” on page 39.

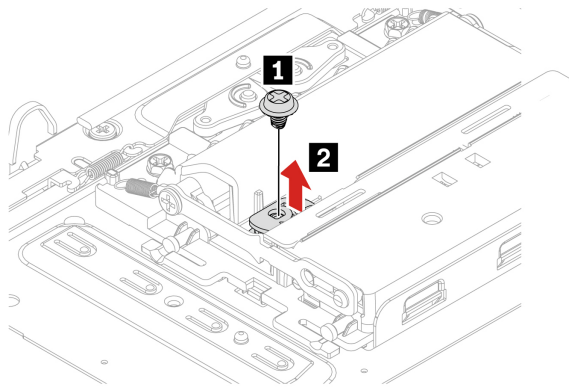
Removal steps

Remove the left side cover lock.

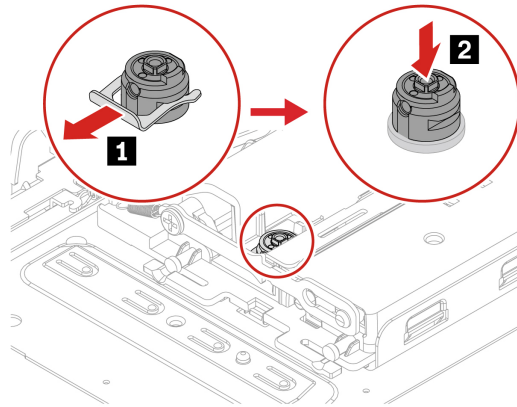
Note: Loosen the two screws that secure the lock handle cover. The two screws cannot be removed from the lock handle cover.



Screw (quantity)	Color	Torque
6-32*3.8 mm, Zn coated (2)	Blue	3.0 ± 0.5 lb/in

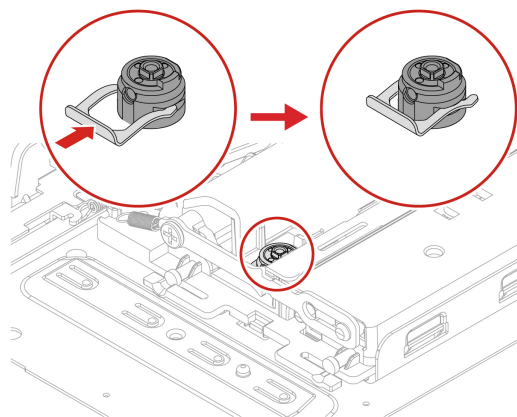
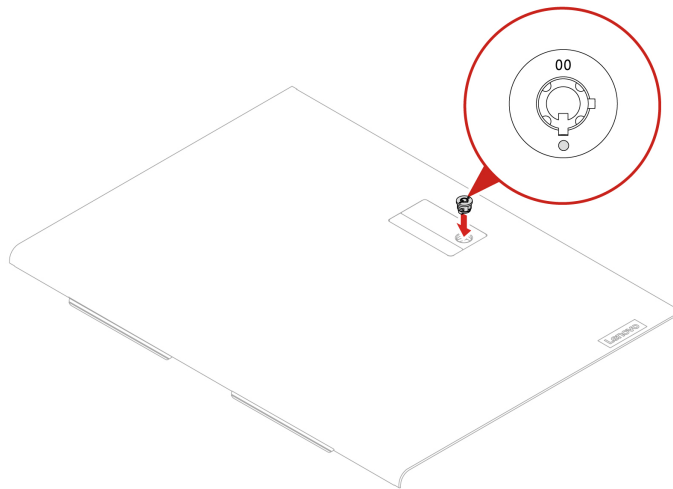


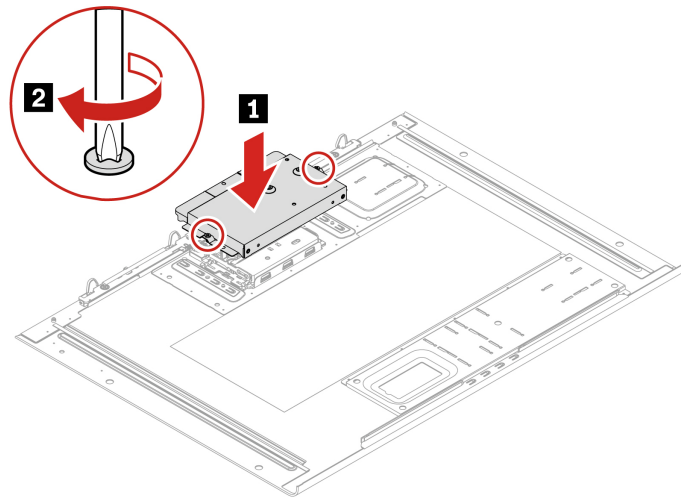
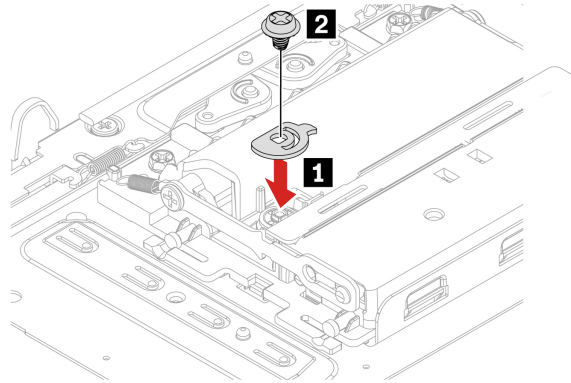
Screw (quantity)	Color	Torque
M3 x 4.2 mm, Zn coated (1)	Blue	5.0 ± 0.5 lb/in



Installation steps

Install the left side cover lock.





Hard disk drive in the front access bay

Prerequisite

Before you start, read *Generic Safety and Compliance Notices*, and print the following instructions.

Attention: The internal storage drive is sensitive. Inappropriate handling might cause damage and permanent loss of data. When handling the internal storage drive, observe the following guidelines:

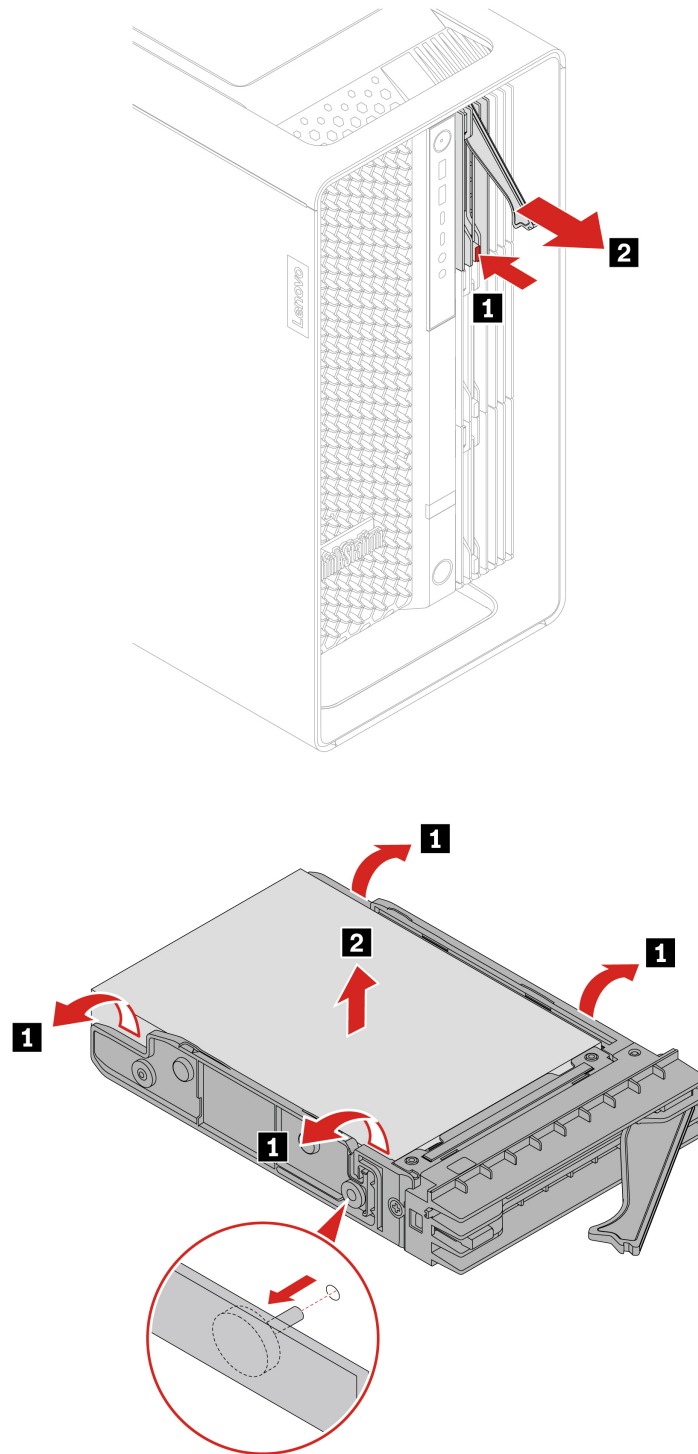
- Replace the internal storage drive only for repair. The internal storage drive is not designed for frequent changes or replacement.
- Before replacing the internal storage drive, make a backup copy of all the data that you want to keep.
- Do not touch the contact edge of the internal storage drive. Otherwise, the internal storage drive might get damaged.
- Do not apply pressure to the internal storage drive.
- Do not make the internal storage drive subject to physical shocks or vibration. Put the internal storage drive on a soft material, such as cloth, to absorb physical shocks.

For access, do the following:

1. Remove any media from the drives and turn off all connected devices and the computer.
2. Disconnect all power cords from electrical outlets and disconnect all cables from the computer.

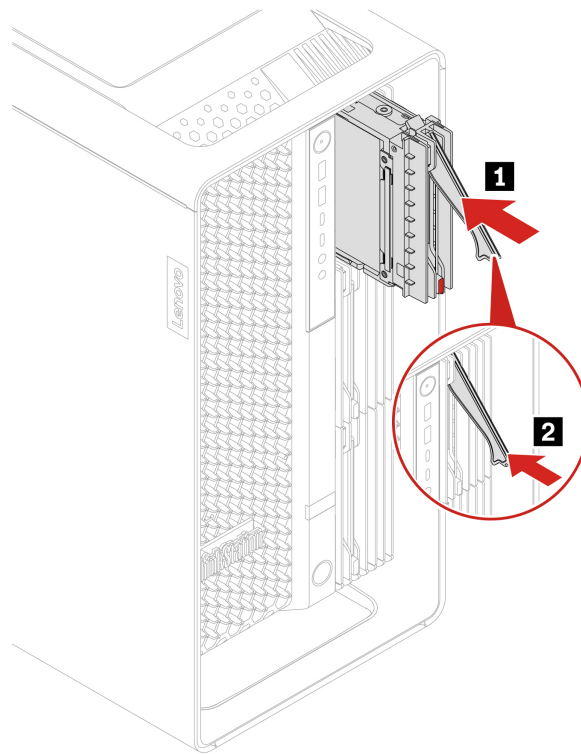
Removal steps of hard disk drive installed in the front access bay

You might need to use the key attached at the rear of the computer to unlock the front access bay and then remove the hard disk drive.



Installation steps of hard disk drive installed in the front access bay

Install the hard disk drive.



Hard disk drive in the PSU bay storage enclosure

Prerequisite

Before you start, read *Generic Safety and Compliance Notices*, and print the following instructions.

Attention: The internal storage drive is sensitive. Inappropriate handling might cause damage and permanent loss of data. When handling the internal storage drive, observe the following guidelines:

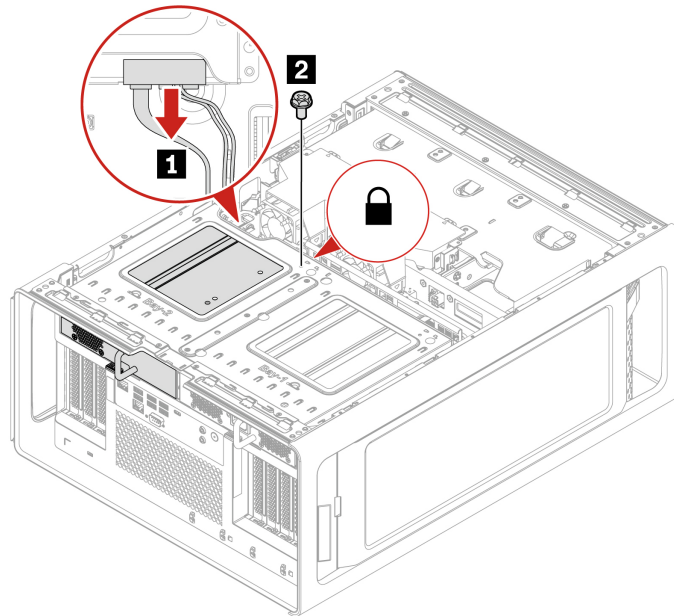
- Replace the internal storage drive only for repair. The internal storage drive is not designed for frequent changes or replacement.
- Before replacing the internal storage drive, make a backup copy of all the data that you want to keep.
- Do not touch the contact edge of the internal storage drive. Otherwise, the internal storage drive might get damaged.
- Do not apply pressure to the internal storage drive.
- Do not make the internal storage drive subject to physical shocks or vibration. Put the internal storage drive on a soft material, such as cloth, to absorb physical shocks.

For access, do the following:

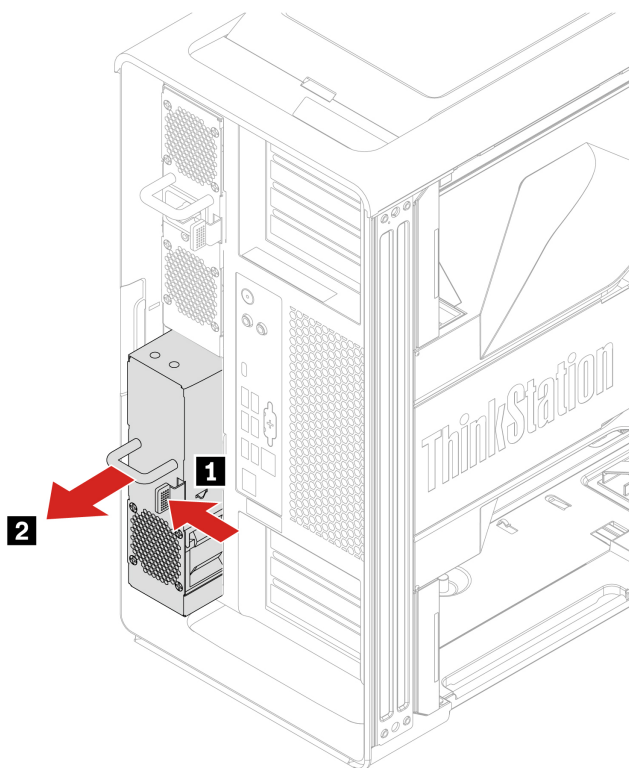
1. Remove the left side cover. See “Left side cover” on page 39.
2. Remove the right side cover. See “Right side cover” on page 58.

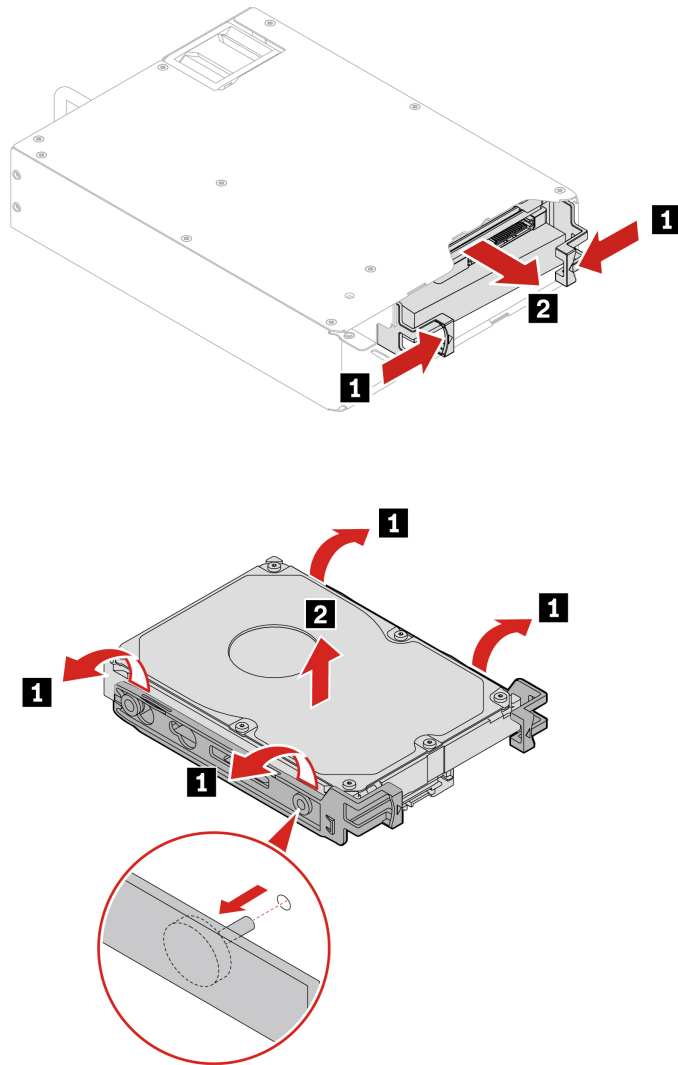
Removal steps

Remove the hard disk drive in the PSU bay storage enclosure.



Screw (quantity)	Color	Torque
M3 x 5 mm, Nickel coated (1)	Black	5.0 ± 0.5 lb/in





Right side cover

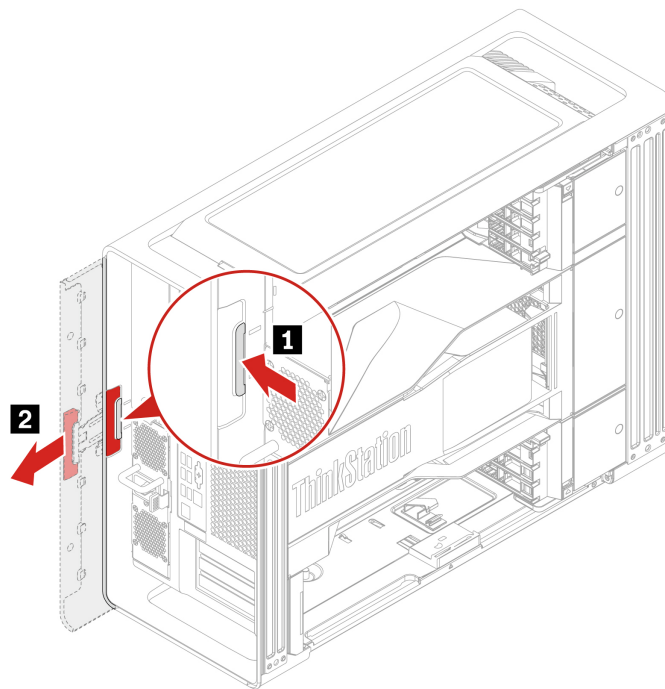
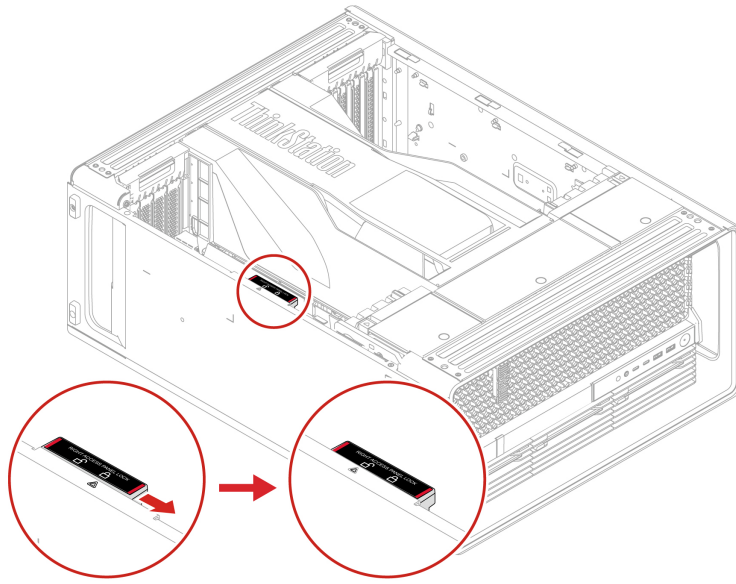
Prerequisite

Before you start, read *Generic Safety and Compliance Notices*, and print the following instructions.

For access, remove the left side cover. See “Left side cover” on page 39.

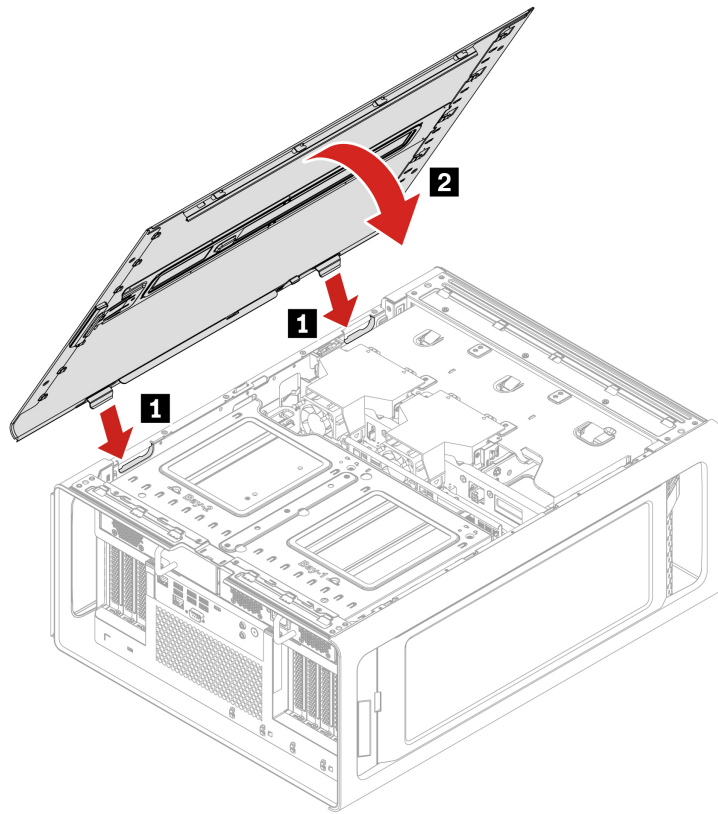
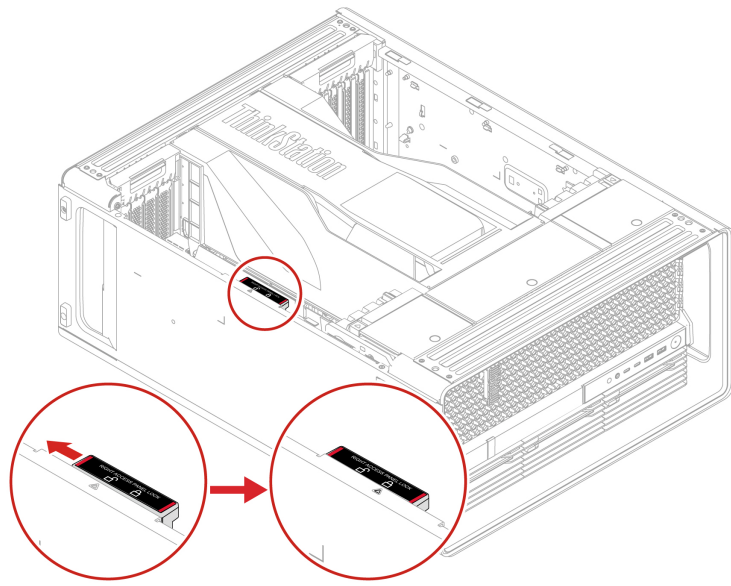
Removal steps

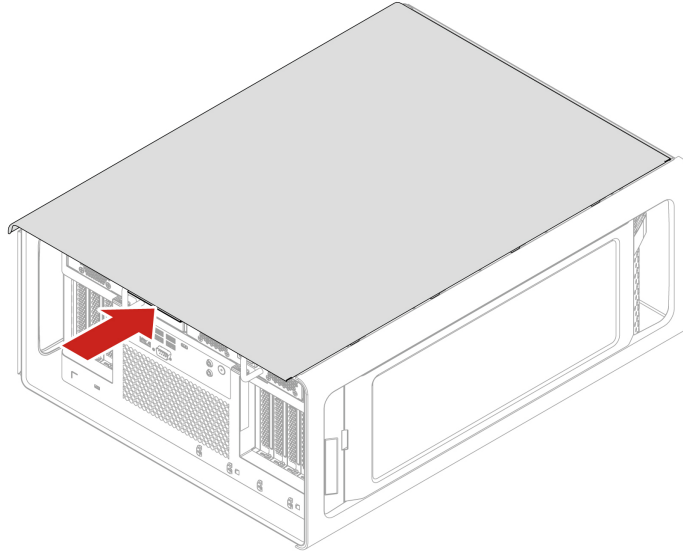
Remove the right side cover.



Installation steps

Install the right side cover.





Power distribution board and bracket

Prerequisite

Before you start, read *Generic Safety and Compliance Notices*, and print the following instructions.

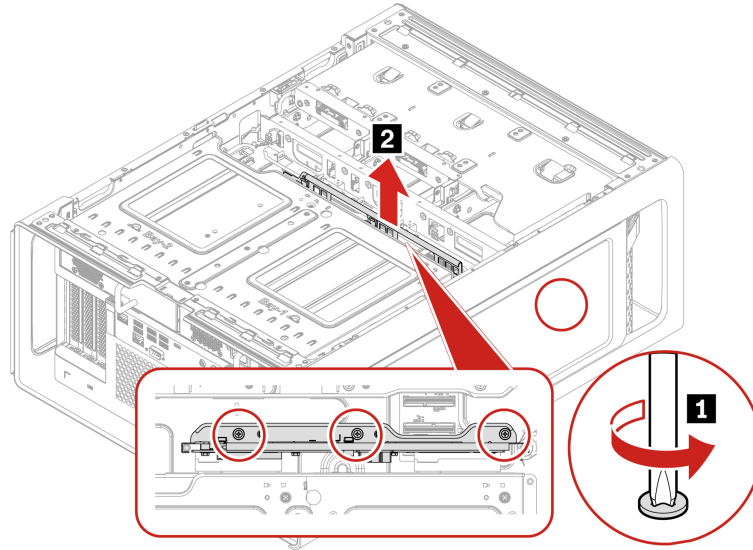
For access, do the following:

1. Remove the power supply assembly. See “Power supply assembly” on page 36.
2. Remove the left side cover. See “Left side cover” on page 39.
3. Remove the right side cover. See “Right side cover” on page 58.
4. Remove the PSU bay storage enclosure. See “Hard disk drive in the PSU bay storage enclosure” on page 56.

Removal steps

Loosen the three screws to remove the power distribution board and bracket.

Note: The three screws cannot be removed from the power distribution board bracket.



Screw (quantity)	Color	Torque
6-32*3.8 mm, Zn coated (3)	Blue	3.0 ± 0.5 lb/in

BCB board and bracket

Prerequisite

Before you start, read *Generic Safety and Compliance Notices*, and print the following instructions.

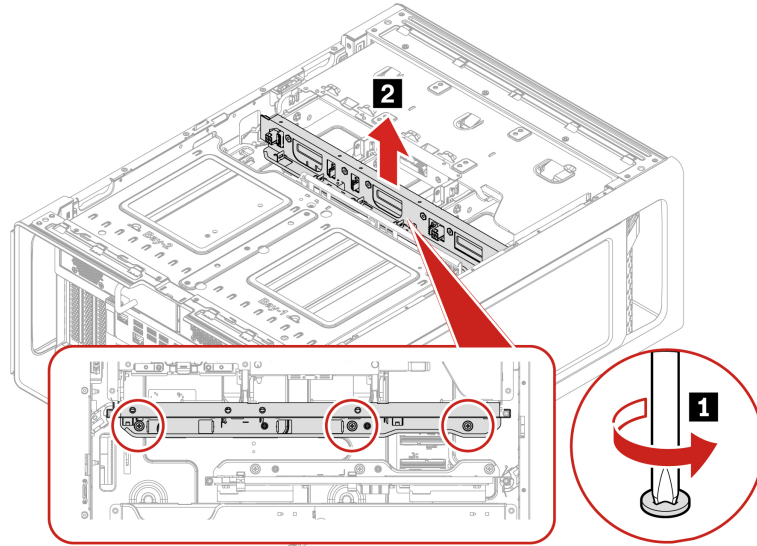
For access, do the following:

1. Remove the storage drives installed in the front access bay (if any). See “Hard disk drive in the front access bay” on page 54, “M.2 solid-state drive in the front access bay” on page 64, and “E1.S solid-state drive in the front access bay” on page 66.
2. Remove the left side cover. See “Left side cover” on page 39.
3. Remove the right side cover. See “Right side cover” on page 58.
4. Remove the storage drive fan. See “Storage fan assembly” on page 63.

Removal steps

Loosen the three screws to remove the BCB board and bracket.

Note: The three screws cannot be removed from the BCB board bracket.



Screw (quantity)	Color	Torque
6-32*3.8 mm, Zn coated (3)	Blue	3.0 ± 0.5 lb/in

Storage fan assembly

Prerequisite

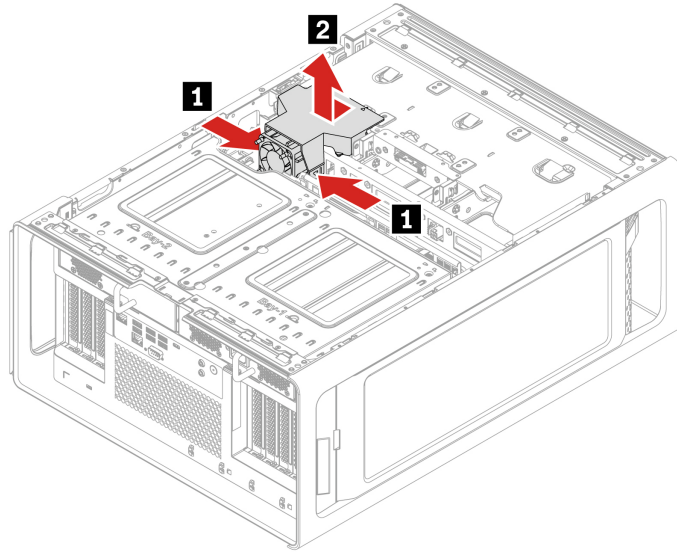
Before you start, read *Generic Safety and Compliance Notices*, and print the following instructions.

For access, do the following:

1. Remove the left side cover. See “Left side cover” on page 39.
2. Remove the right side cover. See “Right side cover” on page 58.
3. Disconnect the storage fan cable from the system board. See “System board” on page 32.

Removal steps

Remove the storage fan assembly.



M.2 solid-state drive in the front access bay

Prerequisite

Before you start, read *Generic Safety and Compliance Notices*, and print the following instructions.

Attention: The internal storage drive is sensitive. Inappropriate handling might cause damage and permanent loss of data. When handling the internal storage drive, observe the following guidelines:

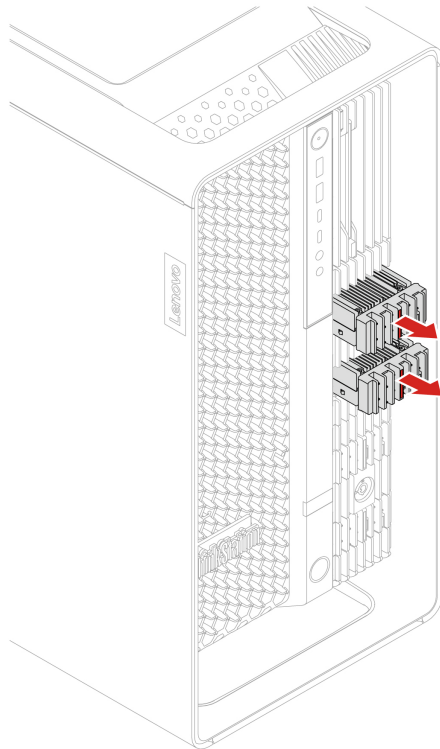
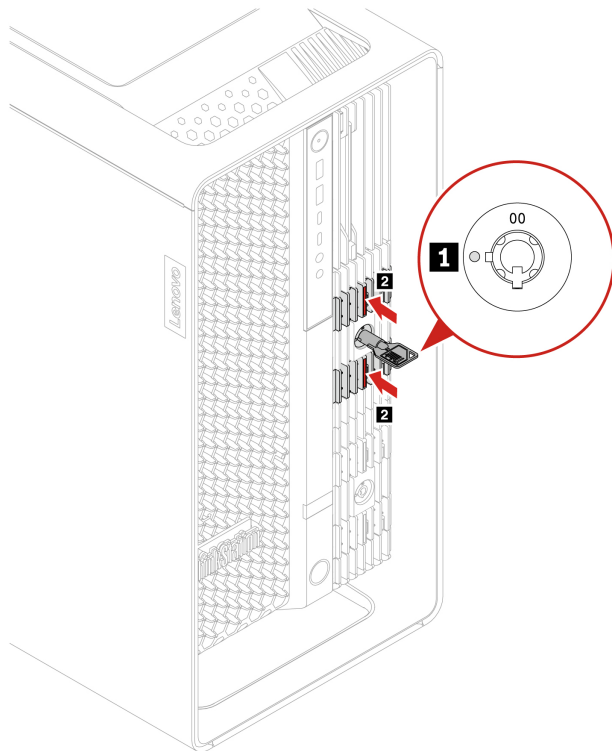
- Replace the internal storage drive only for repair. The internal storage drive is not designed for frequent changes or replacement.
- Before replacing the internal storage drive, make a backup copy of all the data that you want to keep.
- Do not touch the contact edge of the internal storage drive. Otherwise, the internal storage drive might get damaged.
- Do not apply pressure to the internal storage drive.
- Do not make the internal storage drive subject to physical shocks or vibration. Put the internal storage drive on a soft material, such as cloth, to absorb physical shocks.

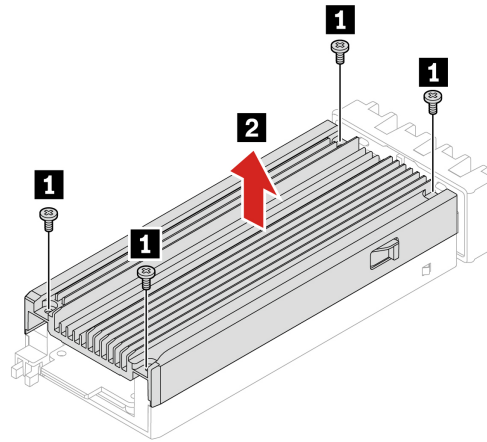
For access, do the following:

1. Remove any media from the drives and turn off all connected devices and the computer.
2. Disconnect all power cords from electrical outlets and disconnect all cables from the computer.

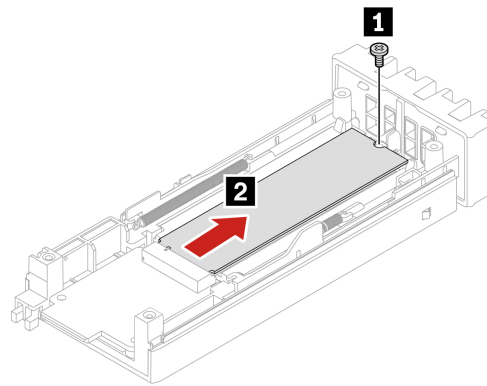
Removal steps

Remove the M.2 solid-state drive.





Screw (quantity)	Color	Torque
M2 x 4.5 mm, Zn coated (4)	Black	1.5 ± 0.2 lb/in



Screw (quantity)	Color	Torque
M2 x 4.5 mm, Zn coated (1)	Black	1.5 ± 0.2 lb/in

E1.S solid-state drive in the front access bay

Prerequisite

Before you start, read *Generic Safety and Compliance Notices*, and print the following instructions.

Attention: The internal storage drive is sensitive. Inappropriate handling might cause damage and permanent loss of data. When handling the internal storage drive, observe the following guidelines:

- Replace the internal storage drive only for repair. The internal storage drive is not designed for frequent changes or replacement.
- Before replacing the internal storage drive, make a backup copy of all the data that you want to keep.
- Do not touch the contact edge of the internal storage drive. Otherwise, the internal storage drive might get damaged.
- Do not apply pressure to the internal storage drive.

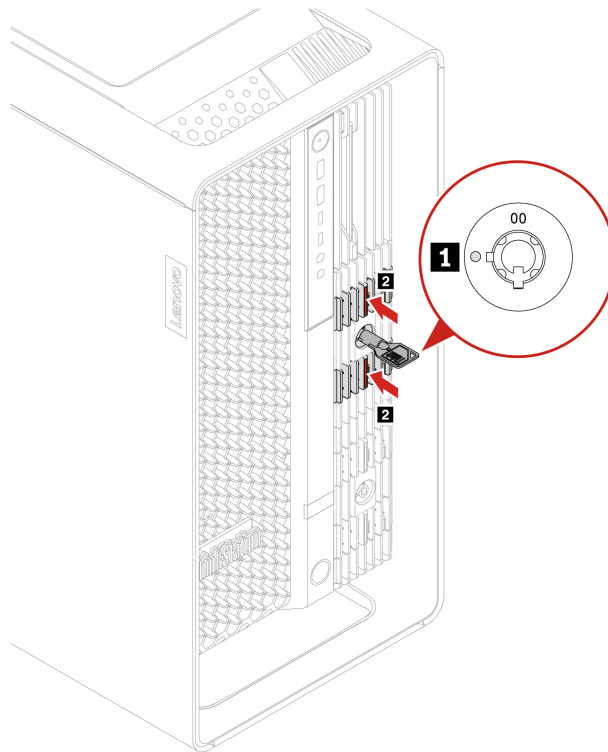
- Do not make the internal storage drive subject to physical shocks or vibration. Put the internal storage drive on a soft material, such as cloth, to absorb physical shocks.

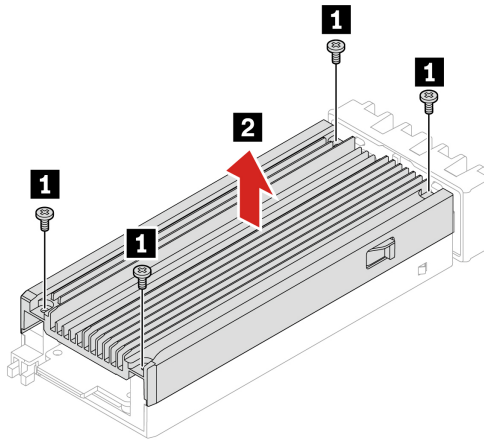
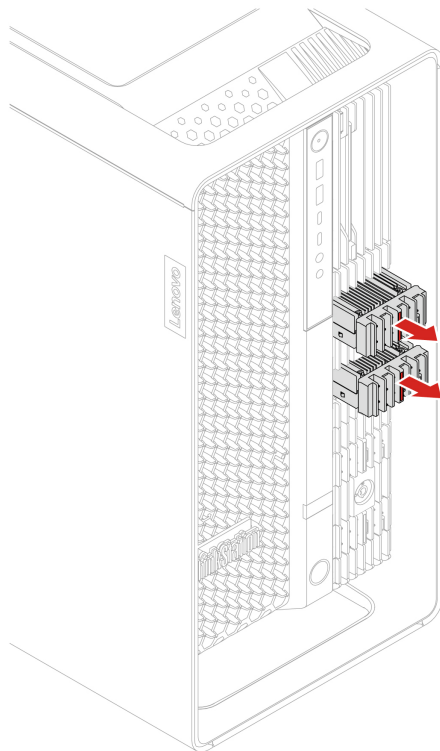
For access, do the following:

1. Remove any media from the drives and turn off all connected devices and the computer.
2. Disconnect all power cords from electrical outlets and disconnect all cables from the computer.

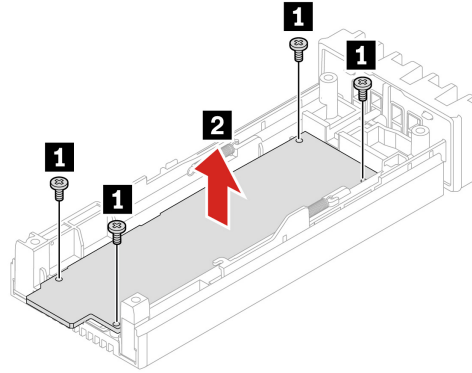
Removal steps

Remove the E1.S solid-state drive.





Screw (quantity)	Color	Torque
M1.6 x 4 mm, Zn coated (4)	Black	0.8± 0.1 lb/in



Screw (quantity)	Color	Torque
M1.6 x 4 mm, Zn coated (4)	Black	0.8± 0.1 lb/in

Dual M.2 or E1.S SSD enclosure

Prerequisite

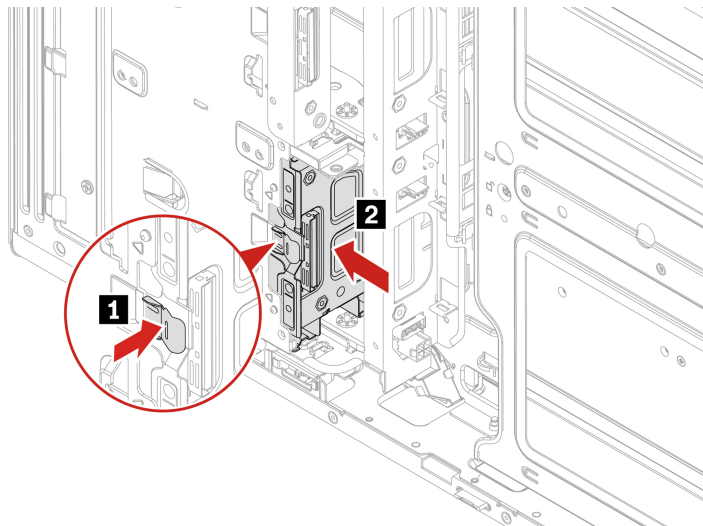
Before you start, read *Generic Safety and Compliance Notices*, and print the following instructions.

For access, do the following:

1. Remove the M.2 solid-state drive and E1.S solid-state drive installed in the front access bay (if any). See “M.2 solid-state drive in the front access bay” on page 64 and “E1.S solid-state drive in the front access bay” on page 66.
2. Remove the left side cover. See “Left side cover” on page 39.
3. Remove the right side cover. See “Right side cover” on page 58.
4. Remove the storage fan assembly. See “Storage fan assembly” on page 63.
5. Disconnect the cable from the dual M.2 or E1.S SSD enclosure. See “System board” on page 32.

Removal steps

Remove the dual M.2 or E1.S SSD enclosure.



Onboard M.2 solid-state drive and its heatsink kit

Prerequisite

Before you start, read *Generic Safety and Compliance Notices*, and print the following instructions.

Attention: The internal storage drive is sensitive. Inappropriate handling might cause damage and permanent loss of data. When handling the internal storage drive, observe the following guidelines:

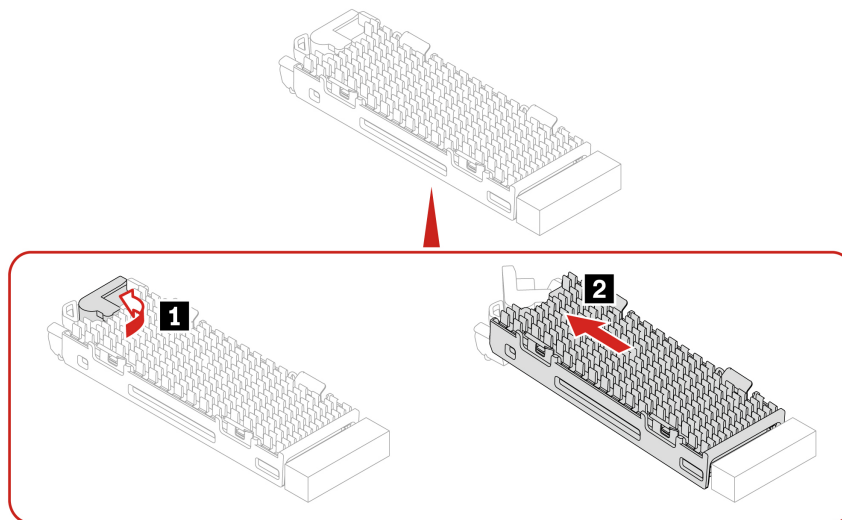
- Replace the internal storage drive only for repair. The internal storage drive is not designed for frequent changes or replacement.
- Before replacing the internal storage drive, make a backup copy of all the data that you want to keep.
- Do not touch the contact edge of the internal storage drive. Otherwise, the internal storage drive might get damaged.
- Do not apply pressure to the internal storage drive.
- Do not make the internal storage drive subject to physical shocks or vibration. Put the internal storage drive on a soft material, such as cloth, to absorb physical shocks.

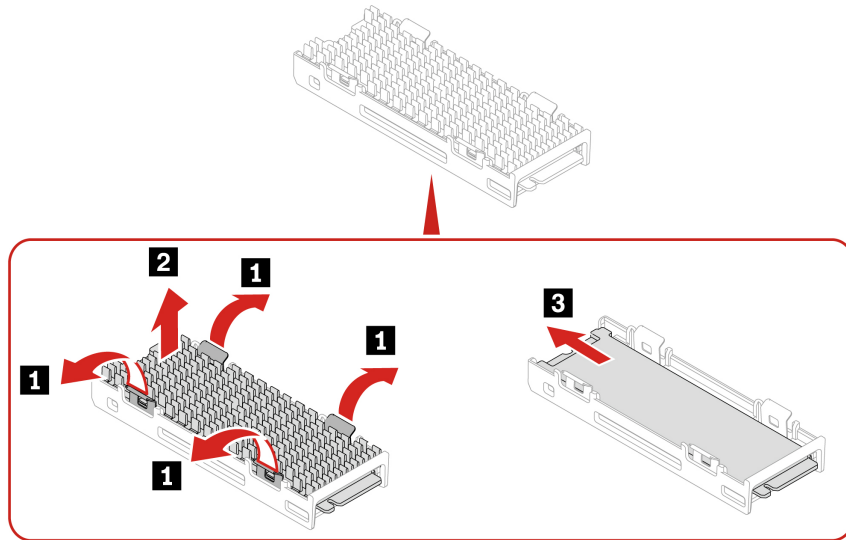
For access, do the following:

1. Remove the left side cover. See “Left side cover” on page 39.
2. Remove the CPU duct. See “CPU duct” on page 42.
3. Remove the front fan assembly. See “Front fan assembly” on page 43.
4. Remove the front fan bracket. See “Front fan bracket” on page 44.

Removal steps

Remove the onboard M.2 solid-state drive.



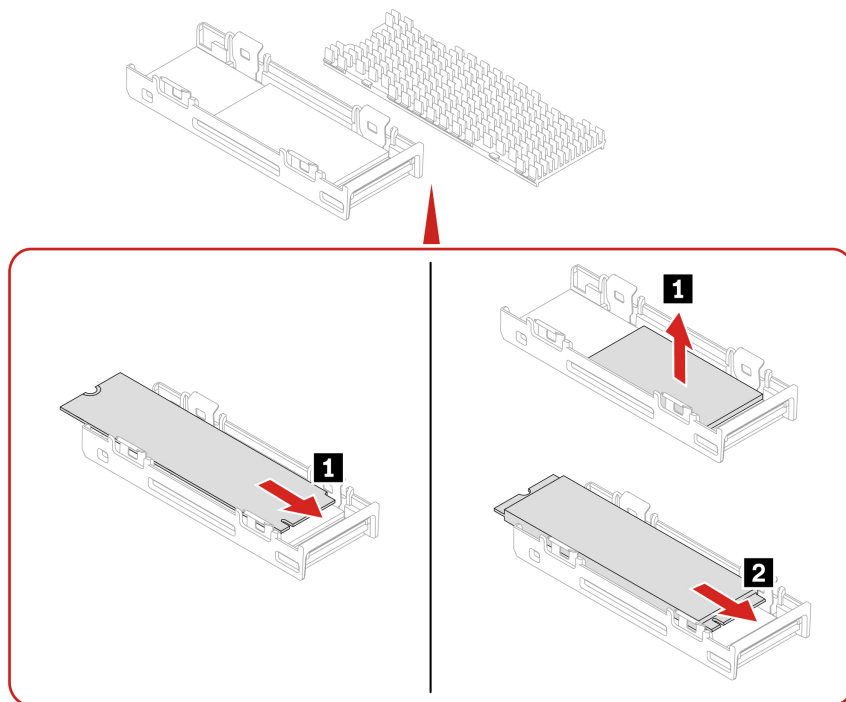


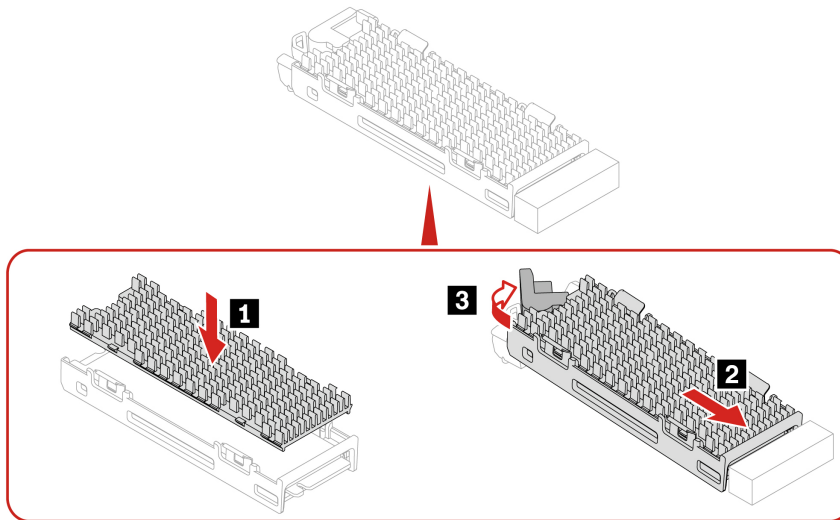
Installation steps

Install the onboard M.2 solid-state drive.

Notes:

- Remove the protective film from both heatsink and thermal pad before installing the onboard M.2 solid-state drive.
- If the new M.2 solid-state drive is double-sided, remove the 1.5-mm thick thermal pad upward first.





Memory fan

Prerequisite

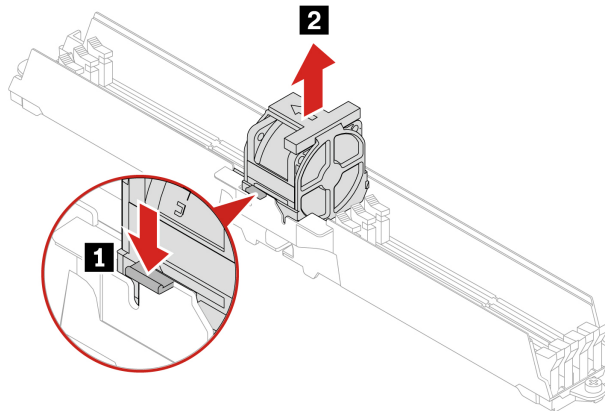
Before you start, read *Generic Safety and Compliance Notices*, and print the following instructions.

For access, remove the following parts in order:

1. Remove the left side cover. See “Left side cover” on page 39.
2. Remove the CPU duct. See “CPU duct” on page 42.
3. Remove the front fan assembly. See “Front fan assembly” on page 43.
4. Remove the front fan bracket. See “Front fan bracket” on page 44.
5. Remove the rear fan assembly. See “Rear fan assembly” on page 46.
6. Disconnect the memory fan cable from the system board. See “System board” on page 32.

Replacement steps

Remove the memory fan.



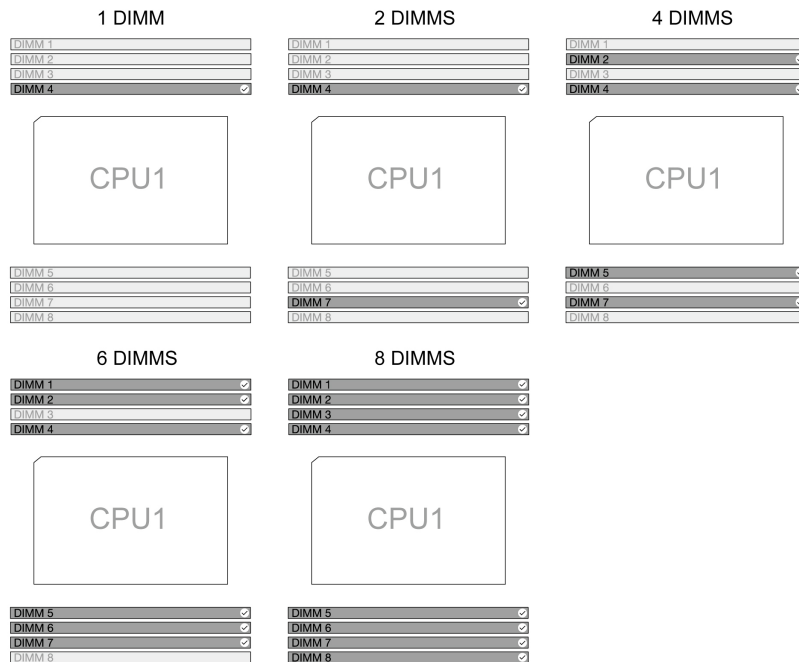
Memory module

Prerequisite

Before you start, read *Generic Safety and Compliance Notices*, and print the following instructions.

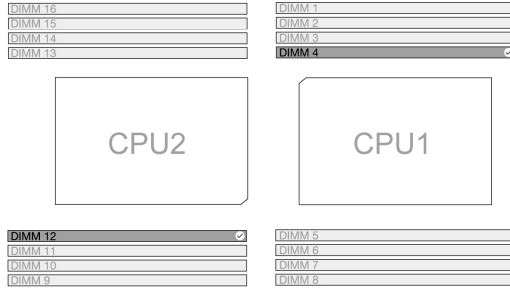
Ensure that you follow the installation order for memory modules shown in the following illustration.

- **1 CPU**

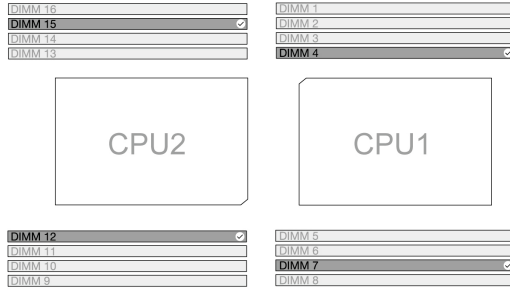


- **2 CPUs**

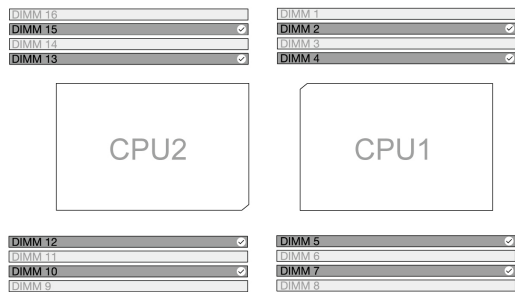
2 DIMMS



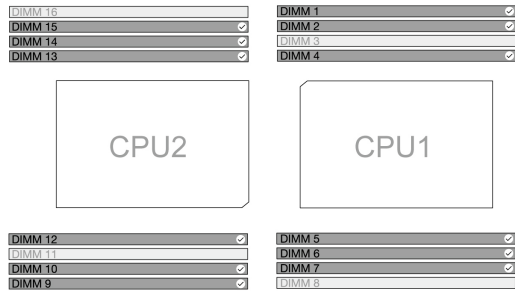
4 DIMMS

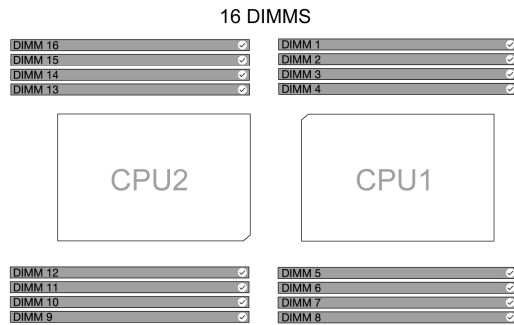


8 DIMMS



12 DIMMS



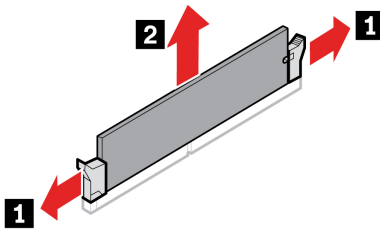


For access, remove the following parts in order:

- Remove the left side cover. See “Left side cover” on page 39.
- Remove the CPU duct. See “CPU duct” on page 42.
- Remove the front fan assembly. See “Front fan assembly” on page 43.
- Remove the front fan bracket. See “Front fan bracket” on page 44.
- Remove the rear fan assembly. See “Rear fan assembly” on page 46.
- Remove the memory fan duct. See “Memory fan” on page 72.

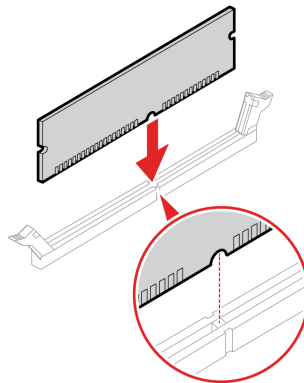
Removal steps

Remove the memory module.



Installation steps

Install the memory module.



PCIe bracket

Prerequisite

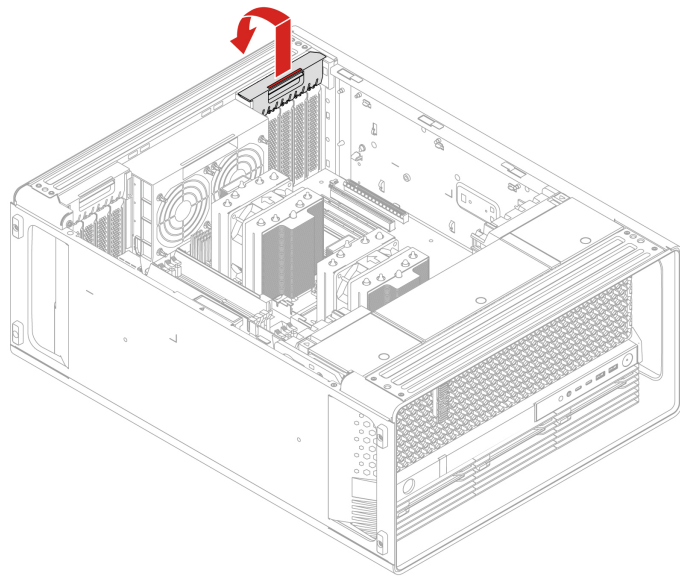
Before you start, read *Generic Safety and Compliance Notices*, and print the following instructions.

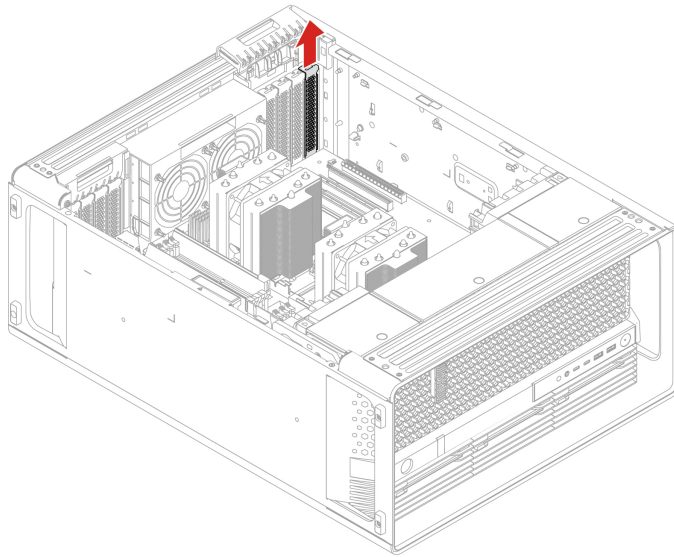
For access, do the following:

1. Remove the left side cover. See “Left side cover” on page 39.
2. Remove the CPU duct. See “CPU duct” on page 42.

Removal steps

Remove the PCIe bracket.





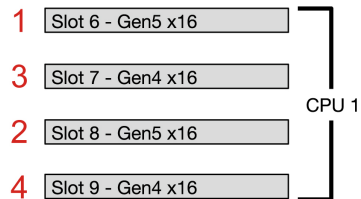
PCIe card

Prerequisite

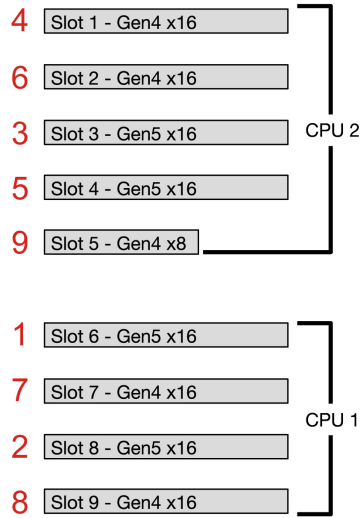
Before you start, read *Generic Safety and Compliance Notices*, and print the following instructions.

Install PCIe cards according to the corresponding slot types and the following illustrated installation order:

- **1 CPU**



- **2 CPUs**



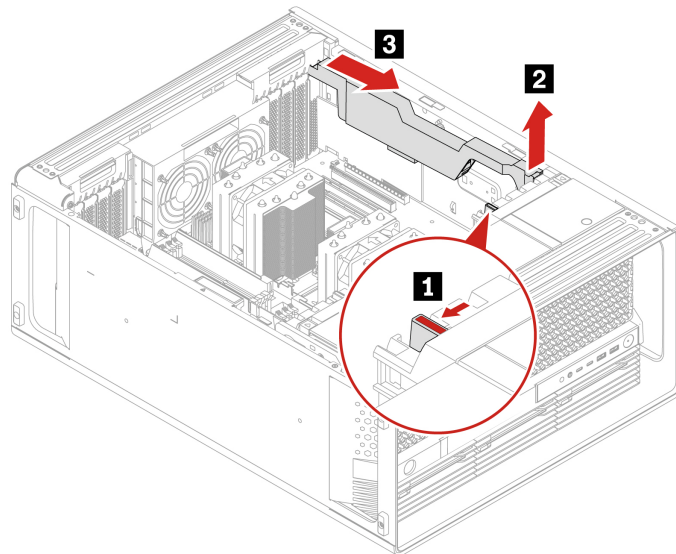
For access, do the following:

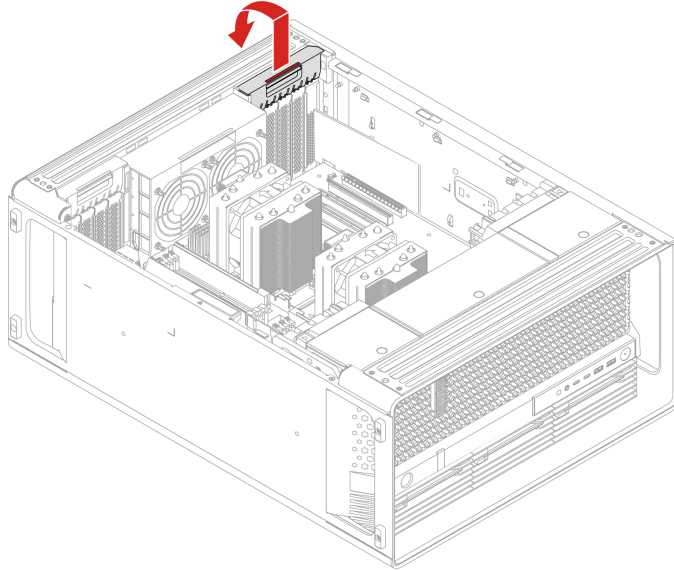
1. Remove the left side cover. See “Left side cover” on page 39.
2. Remove the CPU duct. See “CPU duct” on page 42.
3. Remove the power cable from the PCIe card, if any.

Removal steps

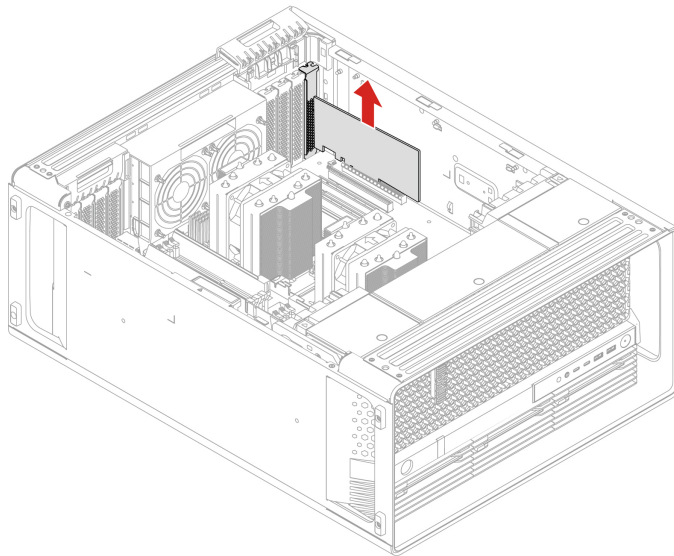
Remove the PCIe card.

Note: The PCIe card retainer is only available on some Graphics cards.





Note: The card might fit tightly into the slot. If necessary, alternately move each side of the card a small amount until the card is removed from the slot.



For cable connection guide, see “Cable connection” on page 83.

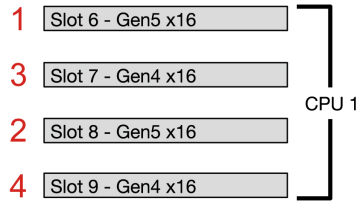
Full-length PCIe card

Prerequisite

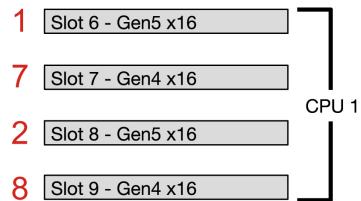
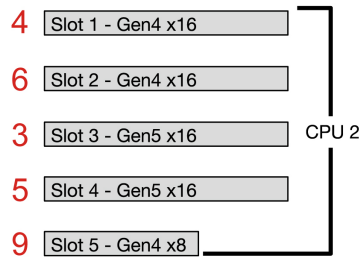
Before you start, read *Generic Safety and Compliance Notices*, and print the following instructions.

Install PCIe cards according to the corresponding slot types and the following illustrated installation order:

- 1 CPU



• **2 CPUs**

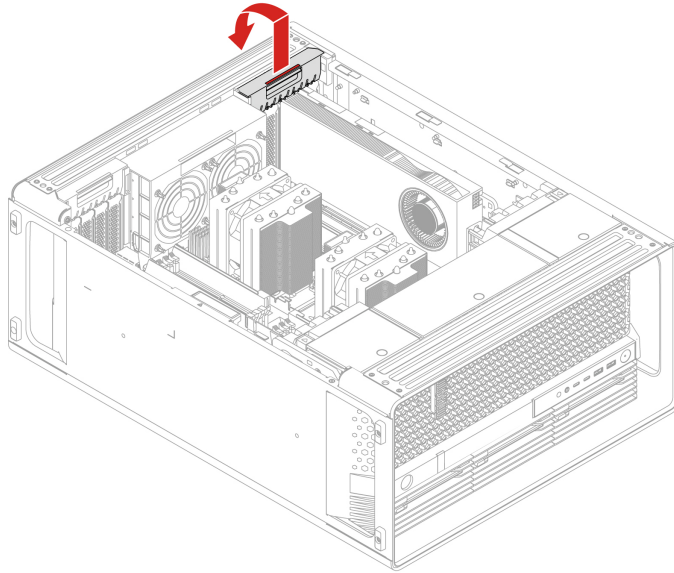


For access, do the following:

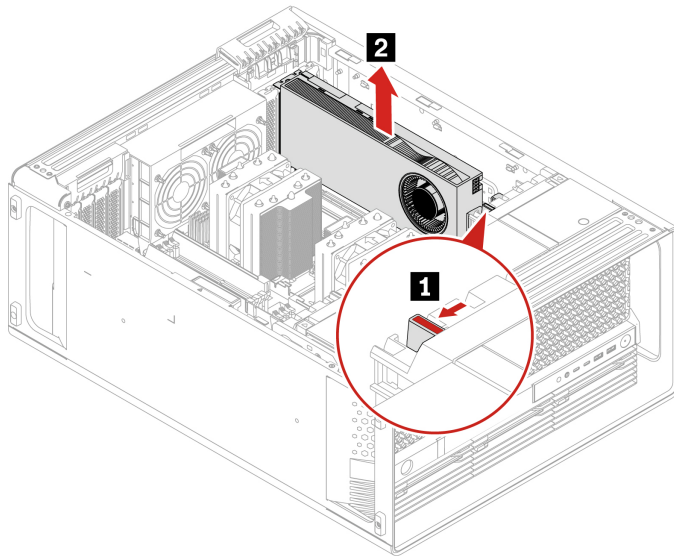
1. Remove the left side cover. See “Left side cover” on page 39.
2. Remove the CPU duct. See “CPU duct” on page 42.
3. Remove the power cable from the PCIe card, if any.

Removal steps

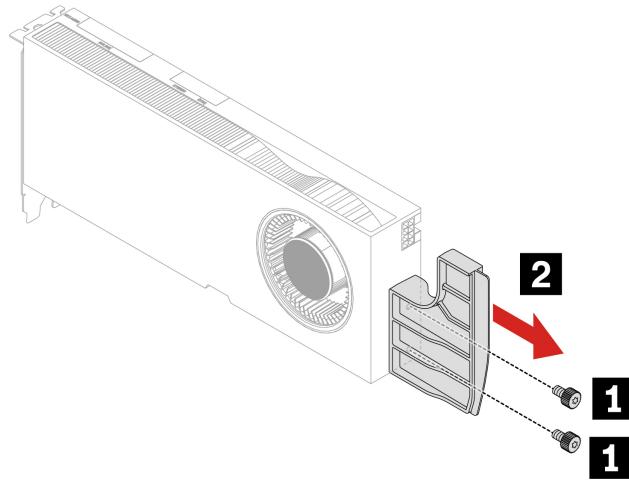
Remove the full-length PCIe card.



Note: The card might fit tightly into the slot. If necessary, alternately move each side of the card a small amount until the card is removed from the slot.



Note: The PCIe card extender is only available on some models.



Screw (quantity)	Color	Torque
M3 x 5.5 mm, Nickel coated (2)	Black	5.5 ± 0.5 lb/in

For cable connection guide, see “Cable connection” on page 83.

Super capacitor module

Prerequisite

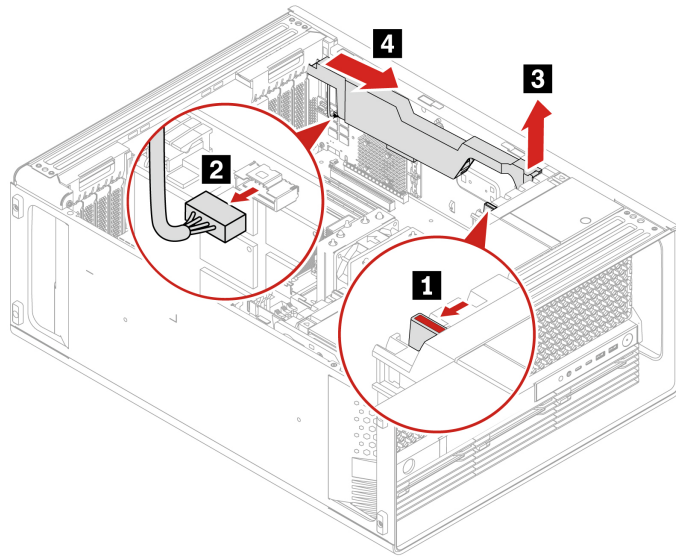
Before you start, read *Generic Safety and Compliance Notices*, and print the following instructions.

For access, do the following:

1. Remove the left side cover. See “Left side cover” on page 39.
2. Remove the CPU duct. See “CPU duct” on page 42.

Removal steps

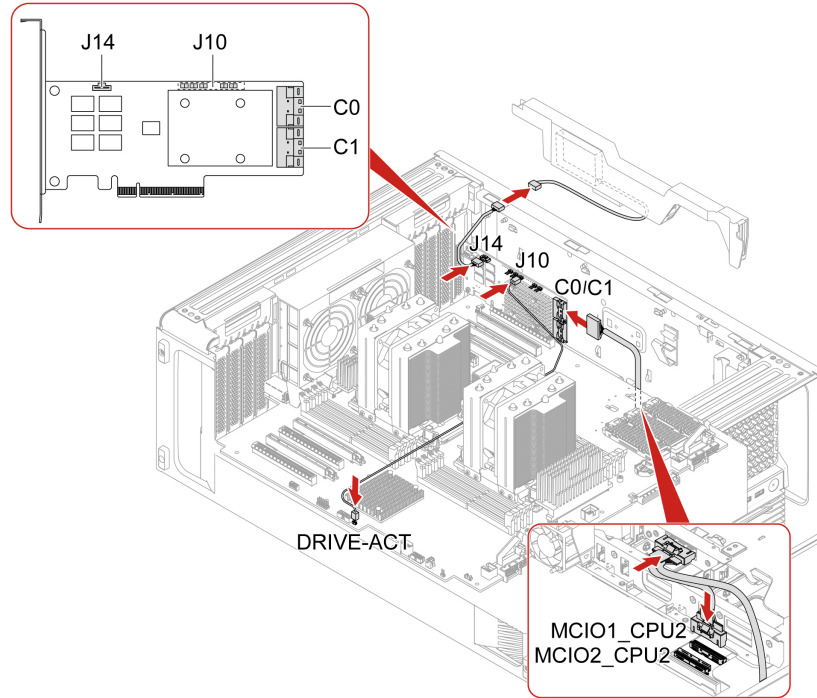
Remove the super capacitor module.



Note: When installing a new super capacitor module, connect the super capacitor module cable to the super capacitor module connector (J14) on the RAID card.

Cable connection

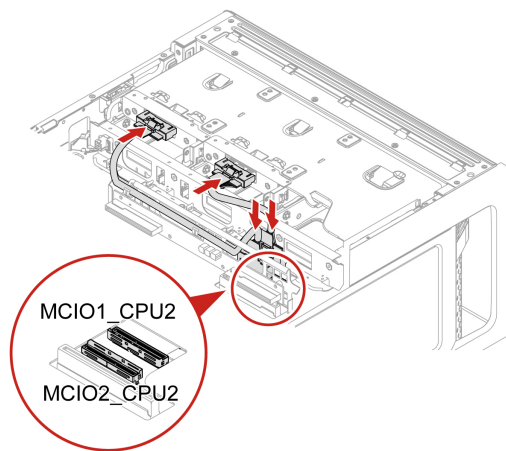
Note: The connectors on the cards or system board might look slightly different from the illustrations.



Notes:

- C0 connector priority is higher than C1 connector.
- MCI0 connector 1 priority is higher than MCI0 connector 2.
- Front access bay 2+5 priority is higher than front access bay 3+6 .

Figure 3. Cable connection for BCM9560 RAID AIC



Notes:

- MCI0 connector 1 priority is higher than MCI0 connector 2.
- Front access bay 2+5 priority is higher than front access bay 3+6.

Figure 4. Cable connection for M.2/E1.S SSD enclosure

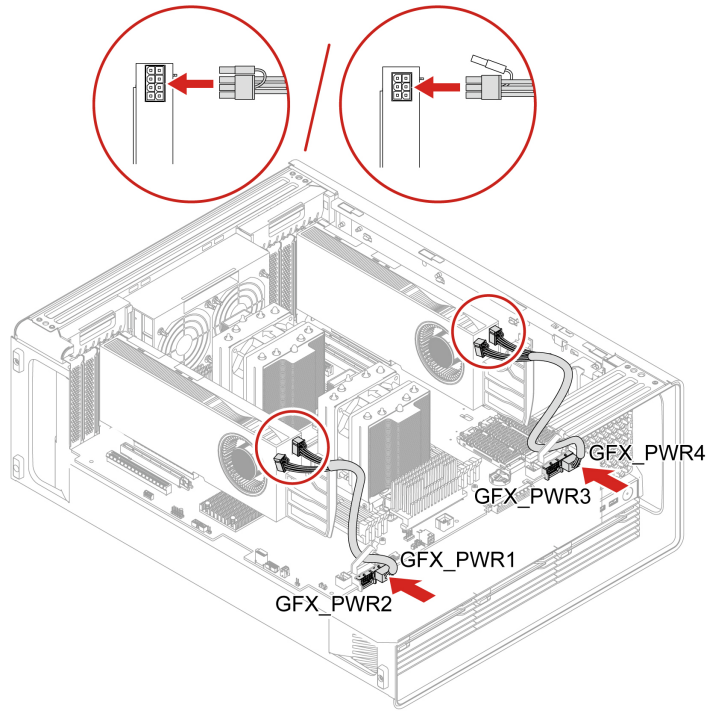


Figure 5. GFX GV100/RTX A550/RTX A450 Aux power connection

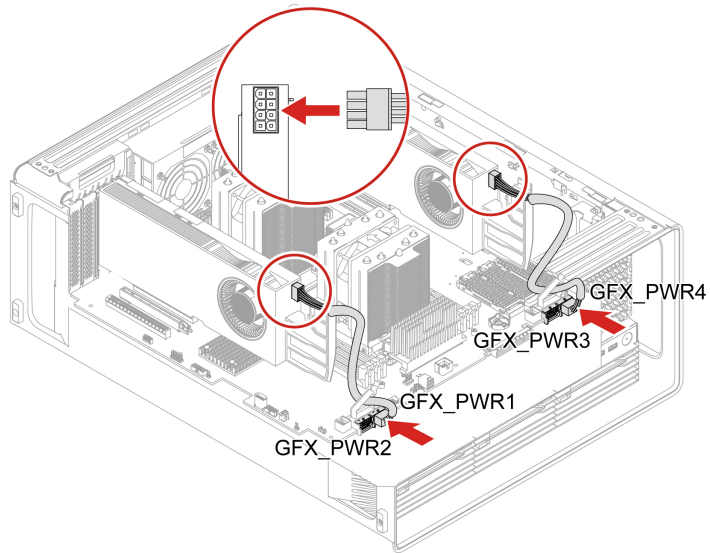
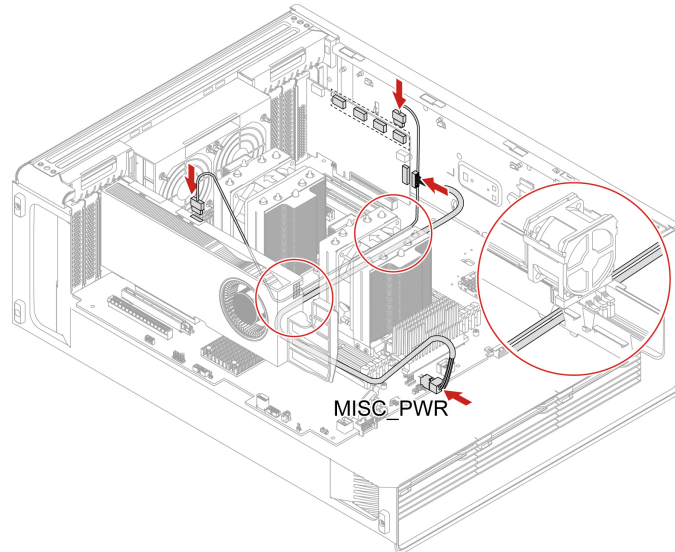


Figure 6. GFX RTX A6000 Aux power connection



Note: When the NVIDIA Quadro SYNC II card and the graphics card are located in the upper PCIe card area and lower PCIe card area respectively, ensure that you remove the memory fan duct to route the SYNC II card cable and power cable through the hole of the memory fan duct as illustrated above. See “Memory fan” on page 72.

Figure 7. Cable connection for NVIDIA Quadro SYNC II card

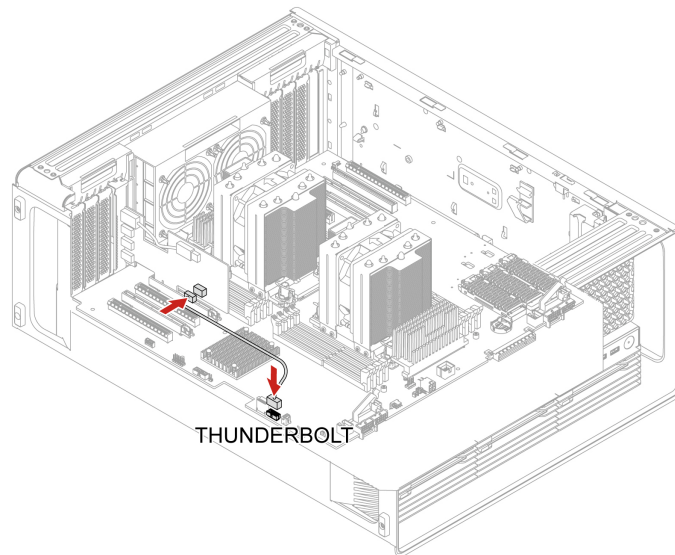


Figure 8. Cable connection for Thunderbolt card

Chapter 6. Help and support

Self-help resources

Use the following self-help resources to learn more about the computer and troubleshoot problems.

Resources	How to access?
Troubleshooting and frequently asked questions	<ul style="list-style-type: none">• https://www.lenovo.com/tips• https://forums.lenovo.com
Accessibility information	https://www.lenovo.com/accessibility
Reset or restore Windows	<ul style="list-style-type: none">• Use Lenovo recovery options.<ol style="list-style-type: none">1. Go to https://support.lenovo.com/HowToCreateLenovoRecovery.2. Follow the on-screen instructions.• Use Windows recovery options.<ol style="list-style-type: none">1. Go to https://pcsupport.lenovo.com.2. Detect your computer or manually select your computer model.3. Navigate to the troubleshooting menu to diagnose the operating system for recovery instructions.
Use the Vantage app to:	
<ul style="list-style-type: none">• Configure device settings.• Download and install UEFI BIOS, drivers and firmware updates.• Secure your computer from outside threats.• Diagnose hardware problems.• Check the computer warranty status.• Access <i>User Guide</i> and helpful articles.	Type Vantage in the Windows search box.
Note: The available features vary depending on the computer model.	
Product documentation:	
<ul style="list-style-type: none">• <i>Safety and Warranty Guide</i>• <i>Generic Safety and Compliance Notices</i>• <i>Setup Guide</i>• <i>This User Guide</i>• <i>Regulatory Notice</i>	Go to https://pcsupport.lenovo.com . Then, follow the on-screen instructions to filter out the documentation you want.

Resources	How to access?
Lenovo Support Web site with the latest support information of the following:	
<ul style="list-style-type: none"> • Drivers and software • Diagnostic solutions • Product and service warranty • Product and parts details • Knowledge base and frequently asked questions 	https://pcsupport.lenovo.com
Windows help information	<ul style="list-style-type: none"> • Type Get Help or Tips in the Windows search box. • Use Windows Search or the Cortana® personal assistant. • Microsoft support Web site: https://support.microsoft.com

Call Lenovo

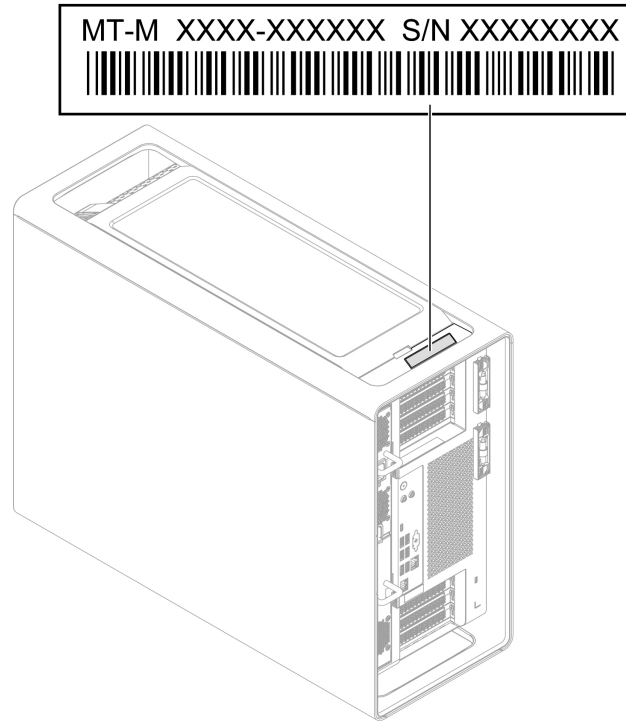
If you have tried to correct the problem yourself and still need help, you can call Lenovo Customer Support Center.

Before you contact Lenovo

Prepare the following before you contact Lenovo:

1. Record the problem symptoms and details:
 - What is the problem? Is it continuous or intermittent?
 - Any error message or error code?
 - What operating system are you using? Which version?
 - Which software applications were running at the time of the problem?
 - Can the problem be reproduced? If so, how?
2. Record the system information:
 - Product name
 - Machine type and serial number

The following illustration shows where to find the machine type and serial number of your computer.



Lenovo Customer Support Center

During the warranty period, you can call Lenovo Customer Support Center for help.

Telephone numbers

For a list of the Lenovo Support phone numbers for your country or region, go to:

<https://pcsupport.lenovo.com/supportphonenumberlist>

Note: Phone numbers are subject to change without notice. If the number for your country or region is not provided, contact your Lenovo reseller or Lenovo marketing representative.

Certification-related information

Product name: ThinkStation PX

Machine types: 30EU and 30EV

Further compliance information related to your product is available at <https://www.lenovo.com/compliance>.

Compliance information

For more compliance information, refer to *Regulatory Notice* at <https://pcsupport.lenovo.com> and *Generic Safety and Compliance Notices* at https://pcsupport.lenovo.com/docs/generic_notices.

Purchase accessories

Lenovo has a number of hardware accessories and upgrades to help expand the capabilities of your computer. Options include memory modules, storage devices, network cards, power adapters, keyboards, mice, and more.

To shop at Lenovo, go to <https://www.lenovo.com/accessories>.

Purchase additional services

During and after the warranty period, you can purchase additional services from Lenovo at: <https://pcsupport.lenovo.com/warrantyupgrade>

Service availability and service name might vary by country or region.

Appendix A. Notices and trademarks

Notices

Lenovo may not offer the products, services, or features discussed in this document in all countries. Consult your local Lenovo representative for information on the products and services currently available in your area. Any reference to a Lenovo product, program, or service is not intended to state or imply that only that Lenovo product, program, or service may be used. Any functionally equivalent product, program, or service that does not infringe any Lenovo intellectual property right may be used instead. However, it is the user's responsibility to evaluate and verify the operation of any other product, program, or service.

Lenovo may have patents or pending patent programs covering subject matter described in this document. The furnishing of this document does not give you any license to these patents. You can send license inquiries, in writing, to:

*Lenovo (United States), Inc.
8001 Development Drive
Morrisville, NC 27560
U.S.A.
Attention: Lenovo Director of Licensing*

LENOVO PROVIDES THIS PUBLICATION "AS IS" WITHOUT WARRANTY OF ANY KIND, EITHER EXPRESS OR IMPLIED, INCLUDING, BUT NOT LIMITED TO, THE IMPLIED WARRANTIES OF NON-INFRINGEMENT, MERCHANTABILITY OR FITNESS FOR A PARTICULAR PURPOSE. Some jurisdictions do not allow disclaimer of express or implied warranties in certain transactions, therefore, this statement may not apply to you.

Changes are made periodically to the information herein; these changes will be incorporated in new editions of the publication. To provide better service, Lenovo reserves the right to improve and/or modify the products and software programs described in the manuals included with your computer, and the content of the manual, at any time without additional notice.

The software interface and function and hardware configuration described in the manuals included with your computer might not match exactly the actual configuration of the computer that you purchase. For the configuration of the product, refer to the related contract (if any) or product packing list, or consult the distributor for the product sales. Lenovo may use or distribute any of the information you supply in any way it believes appropriate without incurring any obligation to you.

The products described in this document are not intended for use in implantation or other life support applications where malfunction may result in injury or death to persons. The information contained in this document does not affect or change Lenovo product specifications or warranties. Nothing in this document shall operate as an express or implied license or indemnity under the intellectual property rights of Lenovo or third parties. All information contained in this document was obtained in specific environments and is presented as an illustration. The result obtained in other operating environments may vary.

Lenovo may use or distribute any of the information you supply in any way it believes appropriate without incurring any obligation to you.

Any references in this publication to non-Lenovo Web sites are provided for convenience only and do not in any manner serve as an endorsement of those Web sites. The materials at those Web sites are not part of the materials for this Lenovo product, and use of those Web sites is at your own risk.

Any performance data contained herein was determined in a controlled environment. Therefore, the result obtained in other operating environments may vary significantly. Some measurements may have been made on development-level systems and there is no guarantee that these measurements will be the same on generally available systems. Furthermore, some measurements may have been estimated through extrapolation. Actual results may vary. Users of this document should verify the applicable data for their specific environment.

This document is copyrighted by Lenovo and is not covered by any open source license, including any Linux agreement(s) which may accompany software included with this product. Lenovo may update this document at any time without notice.

For the latest information or any questions or comments, contact or visit the Lenovo Web site:

<https://pcsupport.lenovo.com>

Trademarks

Lenovo, Lenovo logo, ThinkStation, and ThinkStation logo are trademarks of Lenovo. Intel and Thunderbolt are trademarks of Intel Corporation or its subsidiaries in the U.S. and/or other countries. Microsoft, Windows, Direct3D, and Cortana are trademarks of the Microsoft group of companies. Mini DisplayPort (mDP) and DisplayPort are trademarks of the Video Electronics Standards Association. Wi-Fi and Miracast are registered trademarks of Wi-Fi Alliance. USB-C is a registered trademark of USB Implementers Forum. All other trademarks are the property of their respective owners.

Lenovo