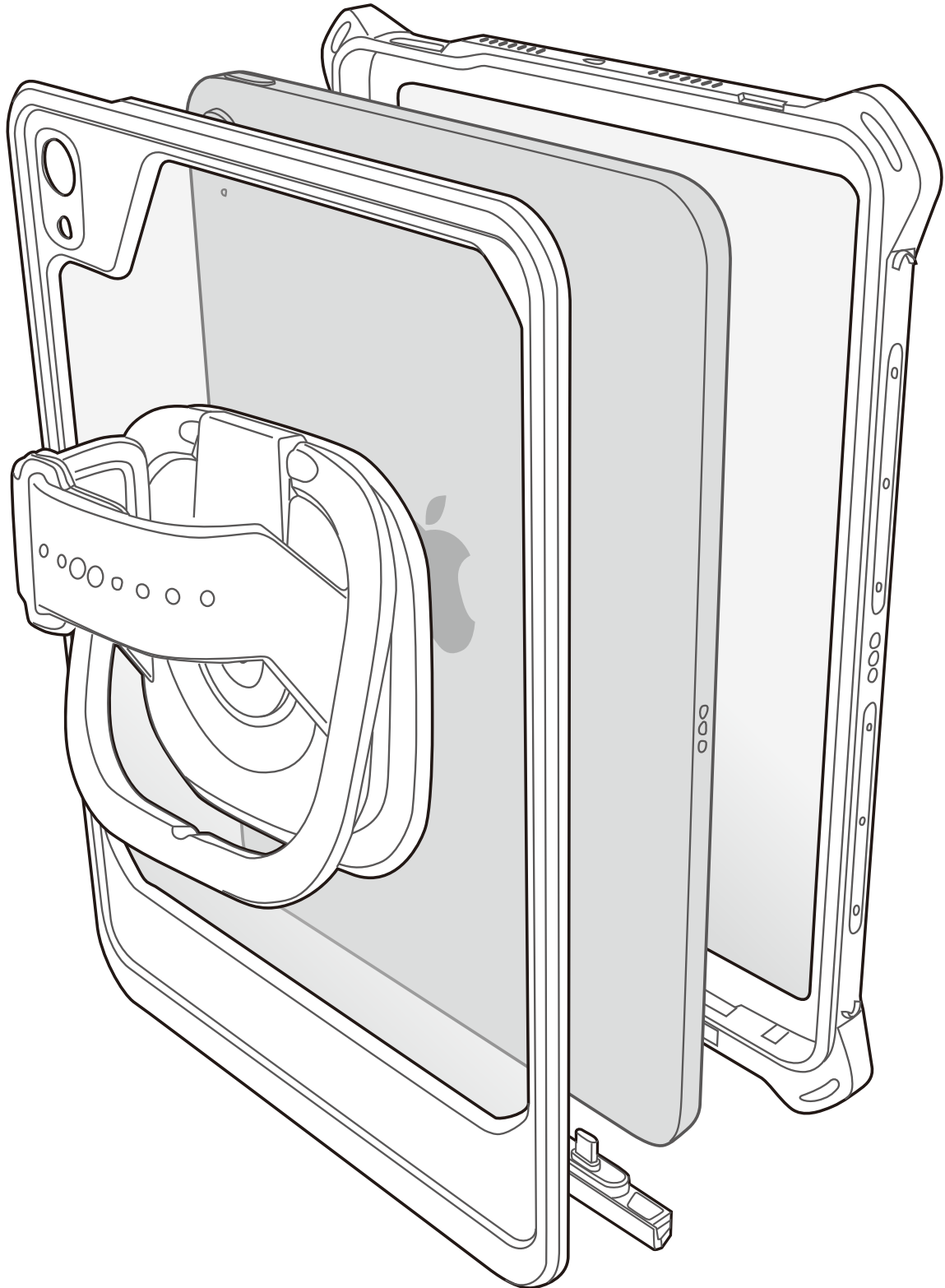


action[®] **Volt**

Dock and Charge Case

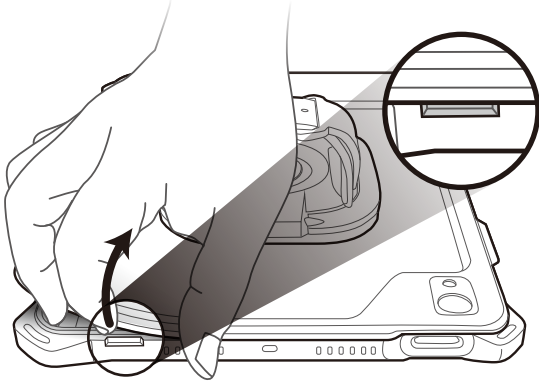
— Installation Guide Guide d'installation ご利用ガイド —



action[®] Volt

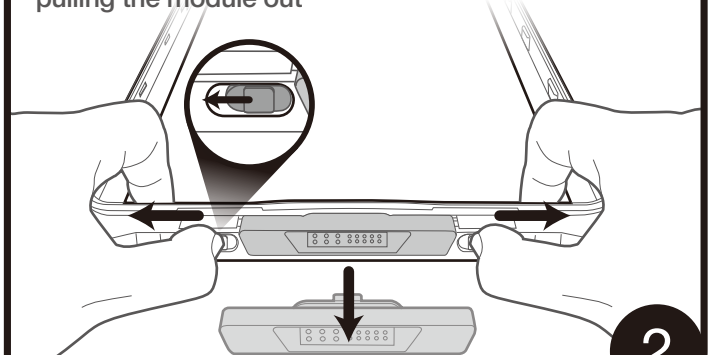
Installation Guide Guide d'installation ご利用ガイド

Separate the inner plastic frame from the back cover



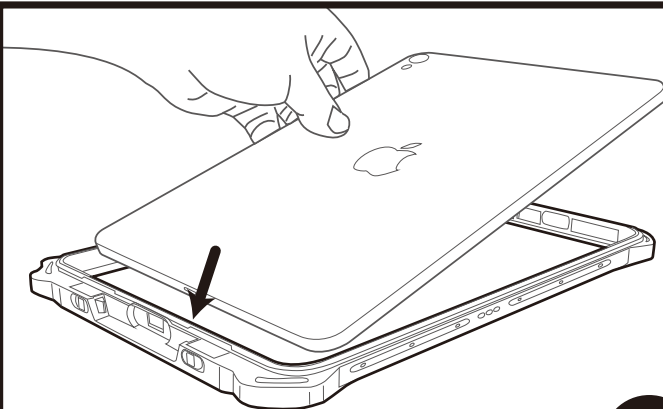
1

Remove the module from the case by sliding the switch with both hands at the same time, then slightly pulling the module out



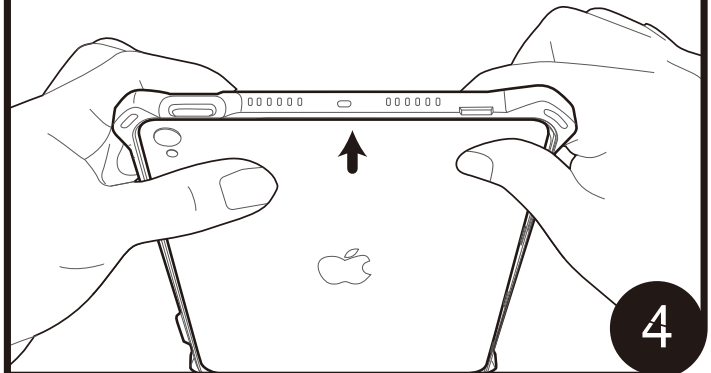
2

Lay the bottom of the device down into the plastic frame



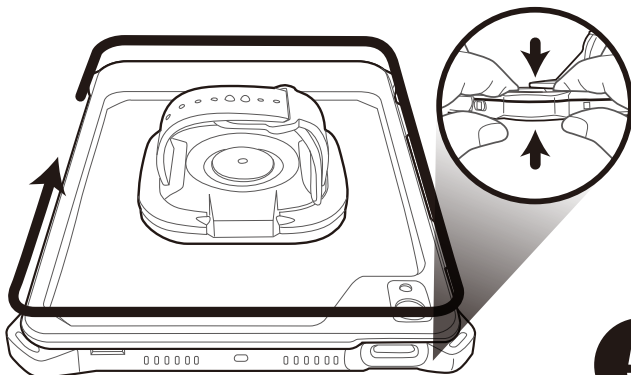
3

Using both hands, apply slight pressure to the top right and left of the device to insert it into the frame



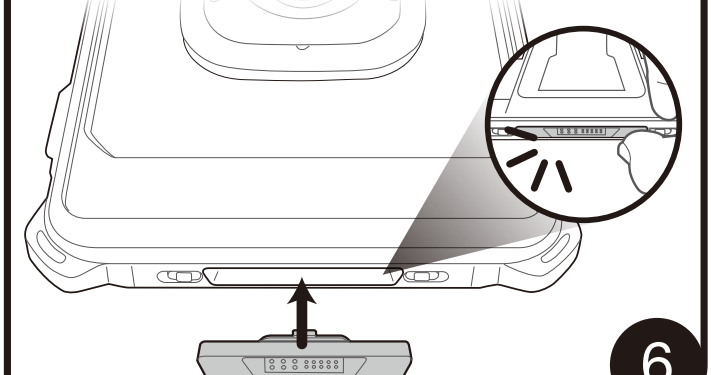
4

Close the back cover and the plastic frame. Make sure the gap is closed completely.



5

Re-install the module by aligning and firmly pressing down until you hear both switches "click"



6



Cleaning Instructions for aXtion Volt

We recommend cleaning the case after every use cycle. Most hospital-grade disinfectant-wipes with high alcohol concentrate are safe to use on the **aXtion Volt** case. A few that we recommend are:

- Sani-Cloth AF3
- Super Sani-Cloth
- Cavi-Wipes
- Clorox Healthcare Bleach Germicidal Wipes
- Oxivir TB

Follow these steps:

1. Clean the back cover with a hospital-grade wipe, using a small stroking motion. Pay special attention to the crevices.
2. Use a new hospital-grade wipe to clean the front cover and screen protector.
3. Let the case air dry before using.

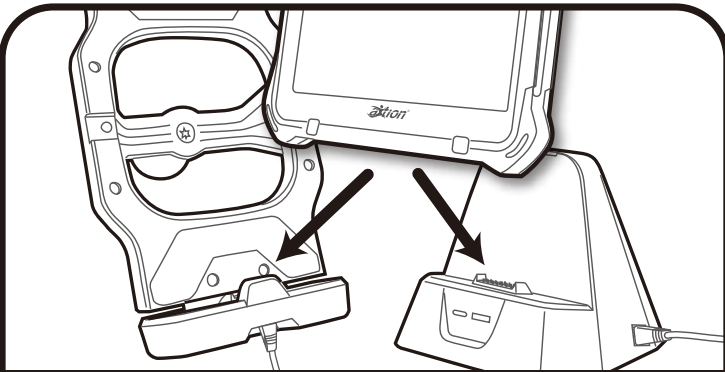
Internal cleaning may be done as needed following these steps

1. Remove the tablet from the case and set aside.
2. Clean the inside back cover with a hospital-grade wipe, using a small stroking motion. Pay special attention to the crevices.
3. Use a new hospital-grade wipe to clean the inside front cover and screen protector.
4. Let the case air dry before putting the tablet into the case.

* Hospital-grade disinfectant wipes may have more detailed instructions for use. Please refer to the manufacturer's instructions.

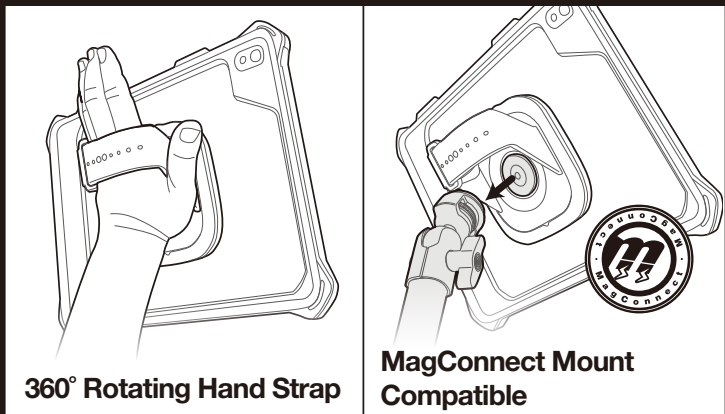
* These instructions are **only** for cleaning cases by The Joy Factory. To clean the tablet, please refer to the manufacturer's instructions.

Contact us | support@thejoyfactory.com



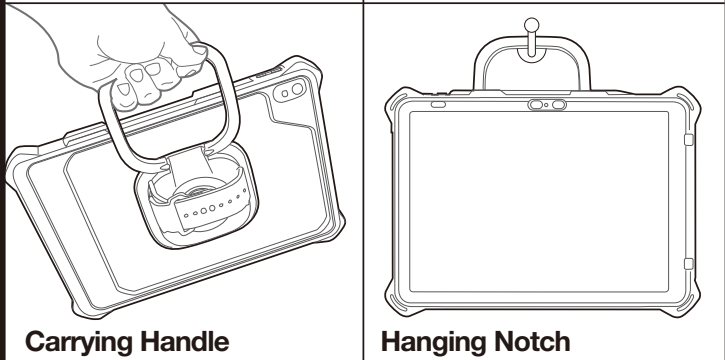
Compatible with aXtion Volt Syncing & Charging Bases and Cradles

MP Plus 2 Module Application



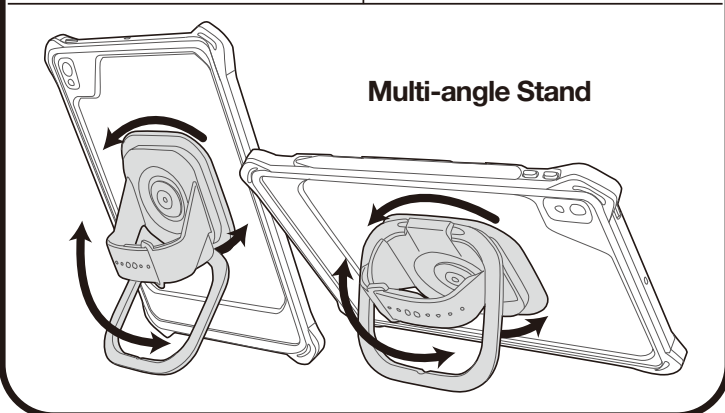
360° Rotating Hand Strap

MagConnect Mount Compatible



Carrying Handle

Hanging Notch



Multi-angle Stand



DISCLAIMER FOR aXtion® Volt Military Grade Charging Cases

Congratulations on the purchase of your new aXtion Volt case from The Joy Factory Inc!

INSTRUCTIONS

BEFORE USE READ ALL INSTRUCTIONS CAREFULLY. IMPROPER USE OF THE CASE COULD RESULT IN DAMAGE TO YOUR DEVICE.

This aXtion Volt case is designed only for the device type listed on the box. Thus, it is only intended for and only warranted for proper use with that specific tablet and not for use with another tablet type. Because different generations of tablets have different specifications, please refer to the packaging for your aXtion Volt case to determine whether your tablet will be compatible with the aXtion Volt case you have purchased.

If you are not certain whether the device you intend to use with the aXtion Volt case is compatible with the tablet model you have, please contact us to determine whether it is a model supported by this aXtion Volt case.

Do not use your aXtion Volt case with your device without first ensuring you are readily familiar with your aXtion Volt case and how it functions. It is especially important to ensure the case is properly closed and does not have significant damage or wear and tear that could cause water leakage when exposing it to water. An improperly closed or damaged case will render it non-water-resistant and may damage the device within the case. Do not charge the device when the case and charging system is being exposed to water.

CERTIFICATIONS

All aXtion Volt cases are certified IP55 water and dust resistant. If you have any questions about whether your case will protect against water or dust in certain situations, contact The Joy Factory prior to using the case in those situations. The IP55 rating means that the aXtion Volt case is certified as "dust resistant" (that is, no dust will enter the case under normal conditions when it is properly installed and used) and water-resistant (can withstand normal water jets aimed at it from any direction). The IP55 rating is for the case with a device enclosed in it only. All aXtion Volt cases are also designed to be drop or shock resistant. That is, these cases are designed to provide a degree of confidence that your aXtion Volt case can physically and functionally withstand the relatively infrequent, non-repetitive shocks encountered in various environments.

NO ALTERATIONS

Any alteration to your aXtion Volt case will void any and all warranties and guarantees, whether expressed or implied, and The Joy Factory disclaims any and all liability for damages arising from use of an altered aXtion Volt case.

Using the aXtion Volt case with any other device could lead to an improper seal of the case and may render the case non-water-resistant. The Joy Factory disclaims all liability and all warranties, whether expressed or implied, for use of the aXtion Volt case with any other device.

EXPRESS WARRANTY

If the aXtion Volt case is damaged or not functioning properly for any reason; immediately stop use. The Joy Factory expressly disclaims all liability and all warranties, whether expressed or implied, for use of an aXtion Volt case that has been damaged for any reason. The case is covered under our three-year manufacturing warranty and can be replaced free of charge for any manufacturing defects. If you believe the case has a manufacturing defect, cease use immediately and contact The Joy Factory by email at support@thejoyfactory.com or by telephone at +1 (949) 216-8888, Monday through Friday, 9:00 a.m. to 5:00 p.m., Pacific Standard Time. The Joy Factory will not replace an aXtion Volt case that is damaged, other than one with a manufacturing defect. The Joy Factory is not liable to replace or pay for replacement of your device or any additional items which may be damaged from use of a case with manufacturing defects.

The Joy Factory disclaims all liability for lost or stolen aXtion Volt cases and any device stored in a lost or stolen case.

Do not use your aXtion Volt case with any other case or bumper. Use of an additional case or bumper may render the aXtion Volt case non-water-resistant, and The Joy Factory disclaims all liability from such use and will void any and all warranties, expressed or implied.

WARRANTY DISCLAIMER

EXCEPT TO THE EXTENT SET FORTH IN THE EXPRESS WARRANTY ABOVE AND AS PERMITTED BY LAW, THE JOY FACTORY INC. PROVIDES THE CASES ON AN "AS IS" BASIS, AND DISCLAIMS ALL WARRANTIES AND CONDITIONS WITH RESPECT TO THE CASES, WHETHER ORAL, WRITTEN, STATUTORY, OR IMPLIED, INCLUDING THE IMPLIED WARRANTIES OF MERCHANTABILITY, FITNESS FOR A PARTICULAR PURPOSE, TITLE, AND NON-INFRINGEMENT OF THIRD-PARTY RIGHTS.

The Joy Factory Inc. does not provide a warranty for the tablet computer installed into the aXtion Volt Case.

LIMITATION OF LIABILITY

IN ADDITION TO THE ABOVE WARRANTY DISCLAIMER, TO THE MAXIMUM EXTENT PERMITTED BY LAW, IN NO EVENT WILL: (A) THE JOY FACTORY, INC., ITS PARTNERS, OFFICERS, DIRECTORS, AGENTS, EMPLOYEES, AFFILIATES, PARENTS, SUCCESSORS, ASSIGNS, LICENSORS, SUPPLIERS, AND RESELLERS (COLLECTIVELY, "THE JOY FACTORY PARTIES") BE LIABLE FOR ANY CONSEQUENTIAL, EXEMPLARY, SPECIAL, OR INCIDENTAL DAMAGES, INCLUDING ANY DAMAGES FOR PERSONAL INJURY OR LOST DATA, PROFITS, EQUIPMENT OR PROPERTY, ARISING FROM OR RELATING TO THE CASES, EVEN IF THE JOY FACTORY PARTIES KNEW OF, SHOULD HAVE KNOWN OF, OR WERE ADVISED OF THE POSSIBILITY OF SUCH DAMAGES; AND (B) THE TOTAL CUMULATIVE LIABILITY OF THE JOY FACTORY PARTIES ARISING FROM OR RELATED TO THE CASES, WHETHER IN CONTRACT, TORT OR OTHERWISE, EXCEED THE AMOUNT OF \$100.00. THIS LIMITATION APPLIES NO MATTER HOW MANY CASES YOU OWN, AND WILL NOT BE INCREASED BY THE EXISTENCE OF MORE THAN ONE INCIDENT OR CLAIM.

CALIFORNIA PROPOSITION 65 NOTICE

The State of California requires that all manufacturers notify their consumers of certain chemicals that may be found in their products, even if the amount is very slight. This is so because, if ingested, exposure to these chemicals could contribute to higher risks of cancer or birth defects. The general Proposition 65 notice is as follows:

WARNING: This product contains a chemical known to the State of California to cause cancer, birth defects or other reproductive harm.

All of The Joy Factory Inc.'s Cases are safe and are required to meet applicable federal health and safety standards. A variety of products on the market today contain safe levels of these chemicals, and when used as intended, do not expose the consumer to any greater risks.

For more information on California's Proposition 65, please see: <https://oehha.ca.gov/proposition-65/law/proposition-65-law-and-regulations>