

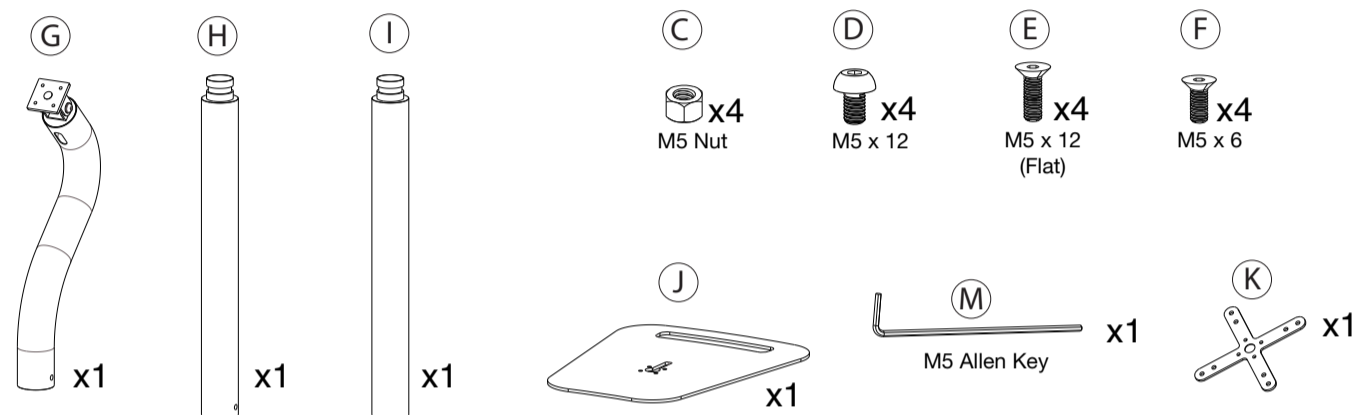


Premium Security Swan Neck Stand w/ VESA plate

ADD-PARASWW / ADD-PARASW

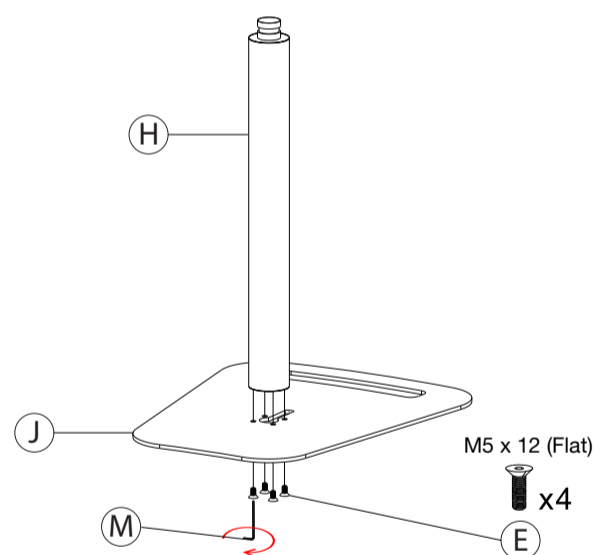
INSTRUCTION - MANUAL

Package Contents:



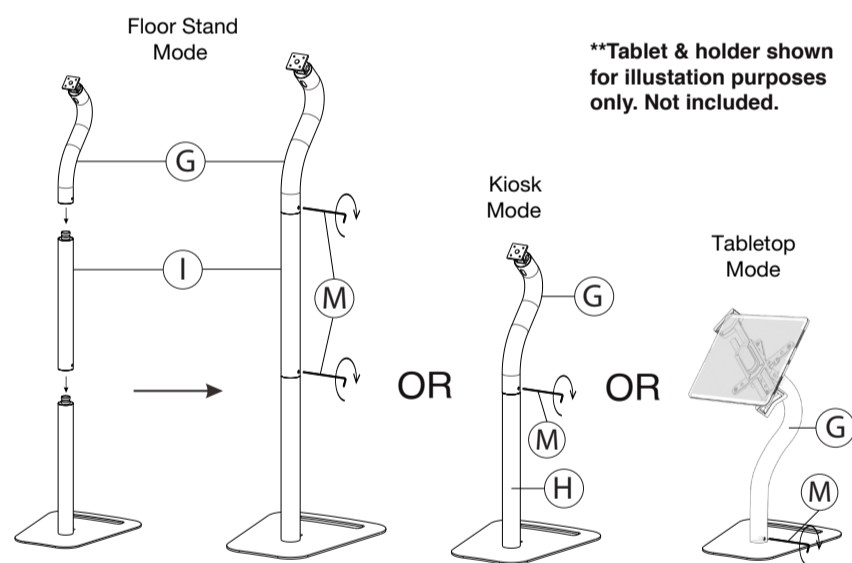
Intructions:

1. Assembling the Base Stand



1A. Take the base plate (J) and attach the base pole (H) to setup the bottom portion of the floor stand. Rotate in (4) screws (E) using the provided tool (M) until securely tightened.

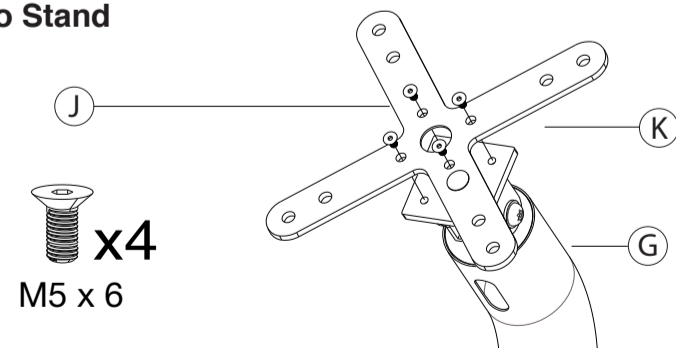
2. Setup in Floor Stand, Kiosk or Tabletop Mode



**Tablet & holder shown for illustration purposes only. Not included.

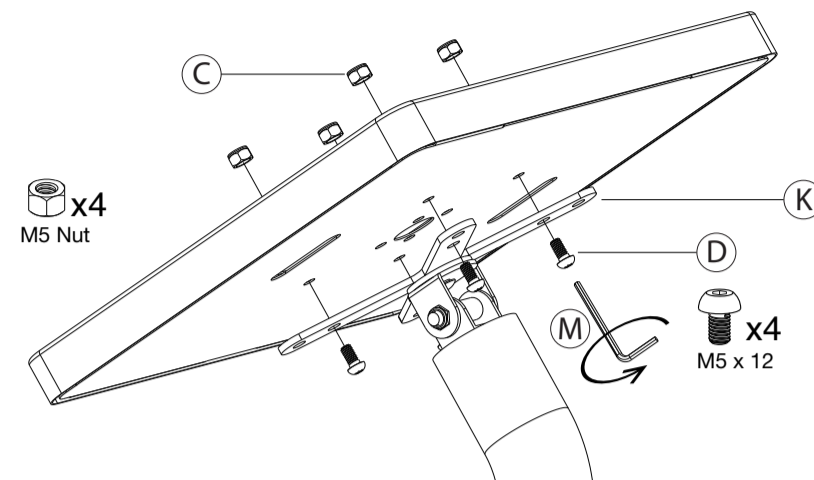
2A. Use a combination of body pole (I), (H) and swan neck (G) to create the preferred setup of Floor Stand, Kiosk or Tabletop. When the proper desired pieces are linked, tighten the joint as shown with the provided tool (M). A combination of (G, I, H, J) for floor stand, (G, H, J) for kiosk mode and (G, J) for tabletop setup as shown above. Loosen joint connection for swivel adjustability.

3. Assembling VESA Plate to Stand



3A. Align the VESA plate (K) holes to curved swan neck (G) holes. Then insert the (4) screws (J) and rotate in with the provided tool (M) until securely tightened.

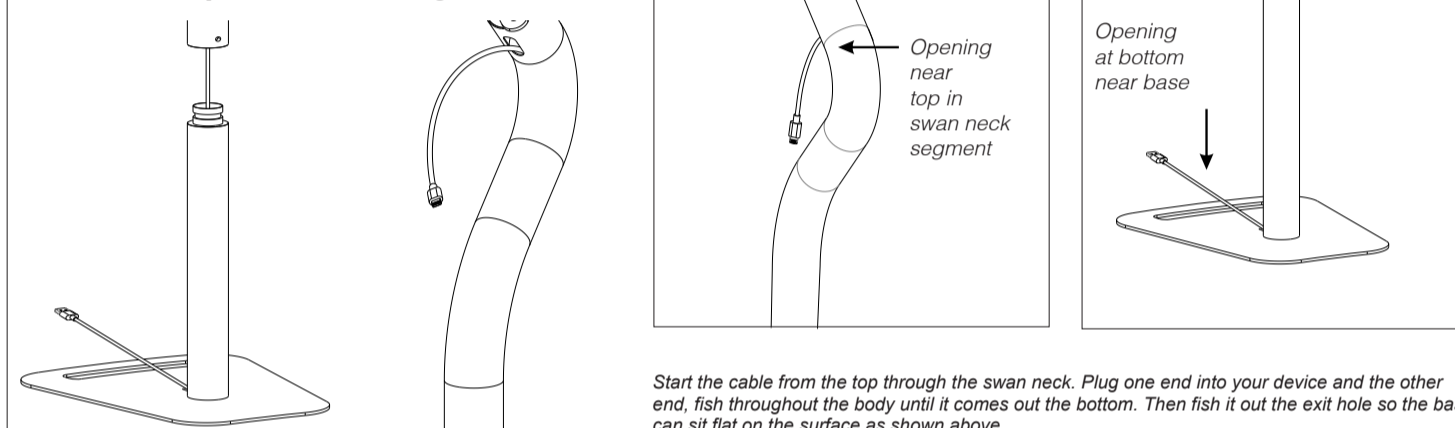
4. Attaching Device to VESA Plate



**Enclosure shown for illustration purposes only. Not included.

4A. Align the enclosure (not included) holes with the VESA plate (K) holes which is now attached to the body. Using the (4) screws (D), rotate in using provided tool (M), while holding from behind the hex nut (C) with your hands. Rotate in screws until securely tightened.

How to Setup Cable Routing



Start the cable from the top through the swan neck. Plug one end into your device and the other end, fish throughout the body until it comes out the bottom. Then fish it out the exit hole so the base can sit flat on the surface as shown above.