



Rocbolt USB Type-A Security Cable Keyed Lock for PC Laptop or Desktop - Includes 2 Keys - 6 ft Carbon Steel Cable - TAA Compliant - Silver



Compatible for have 2 grooves USB port



Incompatible for no grooves USB port

Congratulations!

On your new Rocbolt® USB Keyed Lock. Rocbolt Premium USB® Type-A Security Cable Keyed Lock for PC Laptop or Desktop Connects to a PC USB Type-A Port Includes 2 Keys – Heavy-Duty 6 ft Carbon Steel, Zinc Alloy Galvanized Steel Cable – TAA Compliant - Silver

Rocbolt Security Lock Register & Access

Enregistrement et accès au verrou de sécurité Rocbolt
Registro y acceso a la cerradura de seguridad Rocbolt



locks.rocstor.com

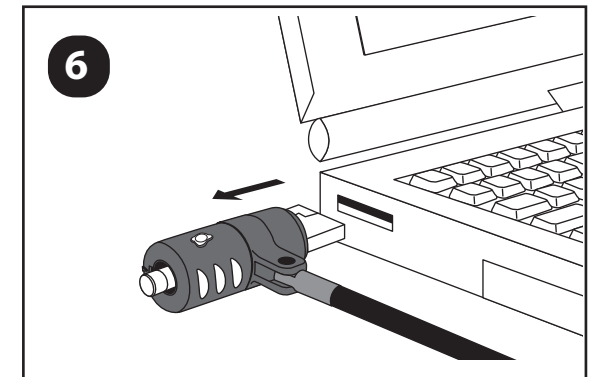
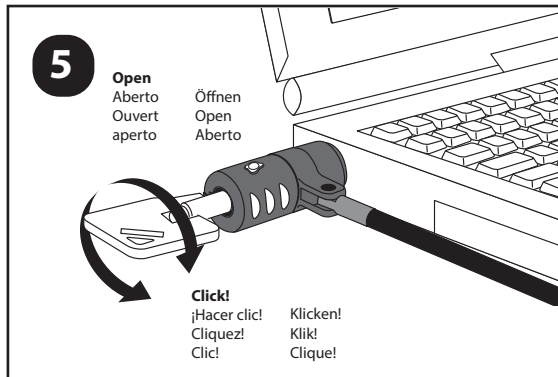
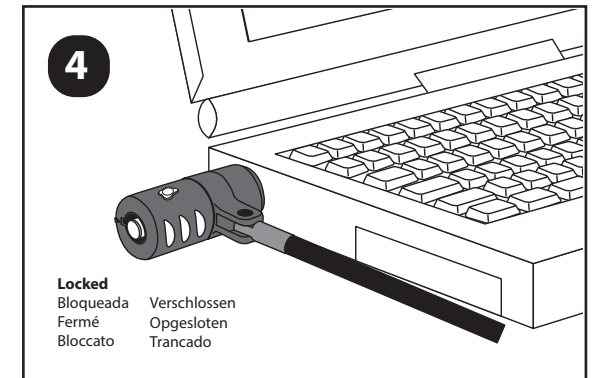
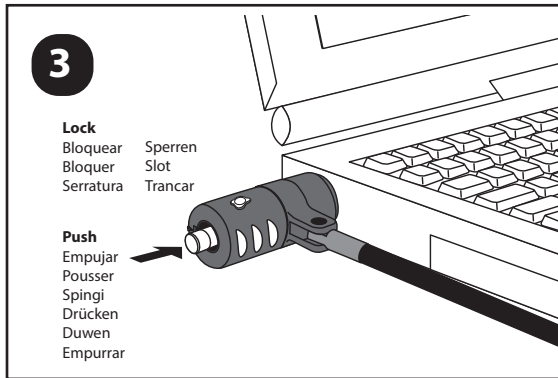
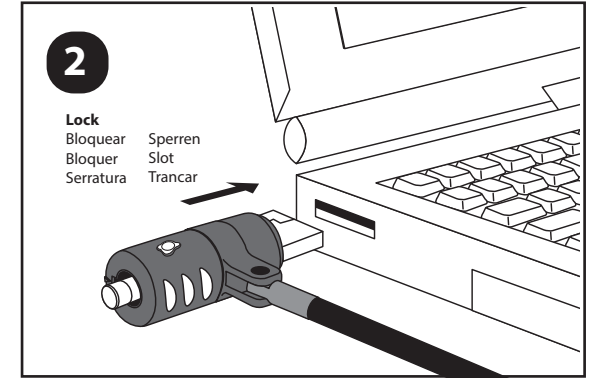
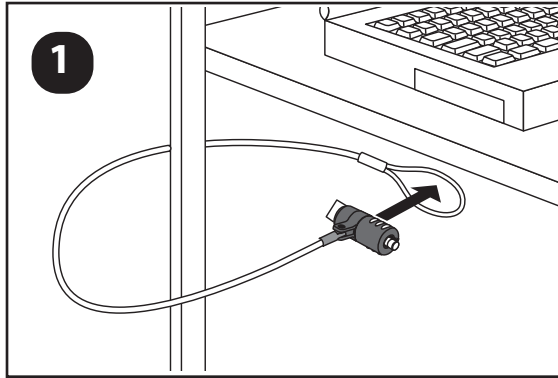


Instruction Guide

Y1RB021-B1

- Designed to secure most USB 2.0 or USB 3.0 of Notebook & Slim Notebook.
- Incompatible with Apple® computers.

Manual de usuario
Manuel utilisateur
Manuale utente
Benutzerhandbuch
Handleiding
Manual do usuário



Registering Your Rocstor Product

To help remember your personalized combination code please register your Lock and code online at www.rocstor.com/locks

Technical Support

Technical support is available to all registered users of Rocstor products. Technical Support contact information can be found on www.rocstor.com

Telephone Support

There is no charge for technical support except long-distance charges where applicable. Please visit www.rocstor.com Monday to Friday 9:00 am to 6:00 pm Pacific Standard Time.

Technical Support**United States**

1 818 727 7000

Please note the following when calling support:

Be prepared to provide the following information:

- Name, address, and telephone number
- The name of the Rocstor Rocbolt product
- Symptoms of the problem and how it led to this issue

Limited Two Year Warranty

Rocstor warrants this product against defects in material and workmanship for two years. Rocstor will supply, at its option, comparable new and rebuilt replacements for defective parts and will pay the labor charges to repair the product found to be defective. The dated bill of sale as evidence of the original purchase price along with the defective product is required.

