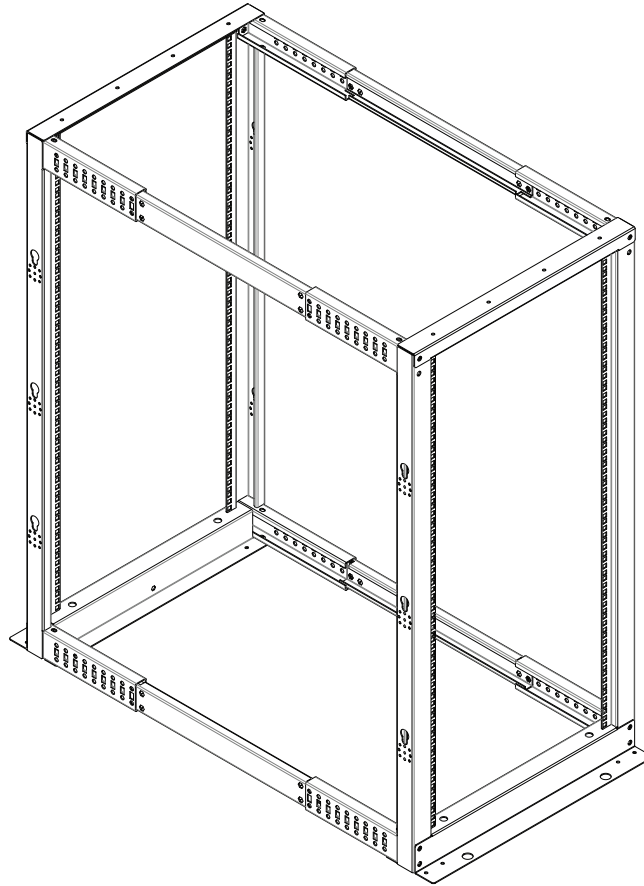


SolidRack Adjustable 4 Post Open Frame Server Rack



# User Manual

## 4-Post Oprn Frame Rack

# Table of Contents

	<u>Page</u>
<b>Rocstor Legal Disclaimer</b> - - - - -	<b>1</b>
<b>Important Safety Information</b> - - - - -	<b>2</b>
<b>Safety Instructions</b> - - - - -	<b>3</b>
<b>Introduction</b> - - - - -	<b>4</b>
<b>Component Identification</b> - - - - -	<b>5</b>
<b>Hardware and Accessories</b> - - - - -	<b>6,7</b>
<b>Installation Guide &amp; Requirement</b> - - - - -	<b>8,9</b>
<b>Assemble the Rack</b> - - - - -	<b>10,11, 12</b>
<b>Leveling Feet instruction</b> - - - - -	<b>13</b>
<b>Installing the Casters</b> - - - - -	<b>14</b>
<b>Cable Management Hook Installation</b> - - - - -	<b>14</b>
<b>Rack Grounding Instruction</b> - - - - -	<b>15</b>
<b>Leveling Feet Adjustment</b> - - - - -	<b>15</b>
<b>Warranty</b> - - - - -	<b>16</b>
<b>Contact Information</b> - - - - -	<b>17</b>

# Rocstor Legal Disclaimer

The information presented in this manual is not warranted by Rocstor to be totally authoritative, error free, or complete. This publication is not meant to be a substitute for a detailed operational and a site-specific development plan for the use of the product. Therefore, Rocstor assumes no liability for damages, violations of codes, improper installation, system failures, or any other problems that could arise based on the use of this Manual.

THE WARRANTY AND REMEDIES SET FORTH ABOVE ARE LIMITED IN TIME TO THE DURATION OF THE WARRANTY AS STATED HEREIN AND IS EXCLUSIVE IN LIEU OF ALL OTHER WARRANTIES, LEGAL THEORIES, REMEDIES AND CONDITIONS, WHETHER ORAL OR WRITTEN, EXPRESS OR IMPLIED. IN NO EVENT SHALL ROCSTOR, OR ANY PARENT, AFFILIATE OR SUBSIDIARY COMPANY OF ROCSTOR OR THEIR RESPECTIVE OFFICERS, DIRECTORS, OR EMPLOYEES BE LIABLE FOR ANY DIRECT, INDIRECT, CONSEQUENTIAL, PUNITIVE, SPECIAL, OR INCIDENTAL DAMAGES, INCLUDING, WITHOUT LIMITATION, DAMAGES FOR LOSS OF BUSINESS, CONTRACTS, REVENUE, LOST PROFITS, DATA, INFORMATION, GOODWILL OR BUSINESS INTERRUPTION RESULTING FROM OR ARISING OUT OF THE USE OF THE PRODUCT OR FAILURE TO FOLLOW INSTRUCTIONS IN THE MANUAL.

FURTHERMORE, ROCSTOR SPECIFICALLY DISCLAIMS ANY AND ALL IMPLIED WARRANTIES INCLUDING, WITHOUT LIMITATION, WARRANTIES OF MERCHANTABILITY AND FITNESS FOR A PARTICULAR PURPOSE. IF ROCSTOR CANNOT LAWFULLY DISCLAIM SUCH IMPLIED WARRANTIES, THOSE IMPLIED WARRANTIES WILL BE LIMITED IN DURATION TO THE DURATION SET FORTH ABOVE.

FURTHER STILL, ROCSTOR RESERVES THE RIGHT TO MAKE CHANGES OR UPDATES WITH RESPECT TO THE CONTENT OF THE PUBLICATION OR THE FORMAT THEREOF AT ANY TIME AFTER PURCHASE WITHOUT NOTICE.

Some states and provinces do not allow the exclusion or limitation of incidental or consequential damages or exclusions or limitations on the duration of implied warranties or conditions, so the above limitations or exclusions may not apply to you. This warranty gives you specific legal rights and you may also have other rights that vary by state or province.

Copyright, intellectual, and all other proprietary rights in the content of the manual (including but not limited to software, audio, video, text, and photographs) rests with Rocstor or its licensor. All rights in the content are the property of Rocstor and are not granted, licensed, assigned or otherwise passed to the purchaser of the product or to persons having access to the information in the manual

PHILLIPS® is a registered trademark of Phillips Screw Company in the United States or other countries.

# Important Safety Information

Please review and read the instructions very carefully in order to understand the specification of the equipment. This is essential information before installing, operating, service or maintaining your equipment. These messages or alerts may appear throughout this publication and manual for your purchased equipment. The messages are designed to warn you of possible hazards or to bring to your attention the information that would assist and clarifies steps and procedures.



This symbol and label provides Danger or Warning safety which indicates an electrical hazard exists. If instructions are not fully followed, it may result in personal injury.



This is a safety alert symbol. It is used to alert you to potential personal injury hazards. Please follow the instructions very carefully and obey all safety messages that follow this symbol to avoid possible injury or death.

## **DANGER**

**DANGER** This symbol represents an imminently hazardous situation which, if not avoided, will result in death or serious injury. Please follow instructions carefully.

## **WARNING**

**WARNING** This symbol represents a potentially hazardous situation which, if not avoided, can result in death or serious injury. Please follow instructions carefully.

## **CAUTION**

**CAUTION** This symbol indicates a potentially hazardous situation which, if not avoided, can result in minor or moderate injury.

## **CAUTION**

**CAUTION**, This symbol is used without the safety alert symbol, indicates a potentially hazardous situation which, if not avoided, can result in equipment damage. Please follow instructions carefully. Please follow instructions carefully.

## **NOTICE**

**NOTICE** This symbol provides informations and practices not related to physical injury including certain environmental hazards, potential damage or loss of data. Please follow instructions carefully.

# Safety Instructions

Please follow the essential and important instructions in this manual. The information provides you useful instructions for installation and customization of the rack or equipment.

## **WARNING**

### **TIP/ HEAVY EQUIPMENT HAZARD**

- The content of this packaging is easily tipped. Please be extra careful and use extreme caution when moving or unpacking this cabinet.
- Two people are preferred and are required to move, unpack and install the cabinet.
- Not following these instructions carefully, can result in death, serious injury, or equipment damage. Please follow the assembly instructions very carefully.
- This cabinet enclosure has a stationary weight capacity of 1200 lb. (544 kg) and a Rolling weight capacity of 660 lb. (300 kg). Please do not exceed the weight capacity limit of this enclosure. Overloading the capacity of this enclosure may result in bodily and property damage.
- This product is designed for indoor use. Do not use this cabinet outdoors or in an open area. • **DO NOT** push the cabinet from its sides.
- This enclosure is not designed to be stacked. Do not place any items or liquids on top or around the enclosure.
- It is important to survey the area that this enclosure will be installed to assure the area is able to handle the total weight of the cabinet and the equipment inside the cabinet after all equipment installation.
- Please note that each cabinet should be bonded directly to a common ground using one of the designated grounding points at the bottom of the cabinet. Failure to Ground the enclosure may result in hazard of electric shock.

***Not following these instructions carefully, it can result in death, serious injury, or equipment damage***

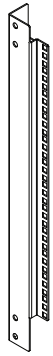
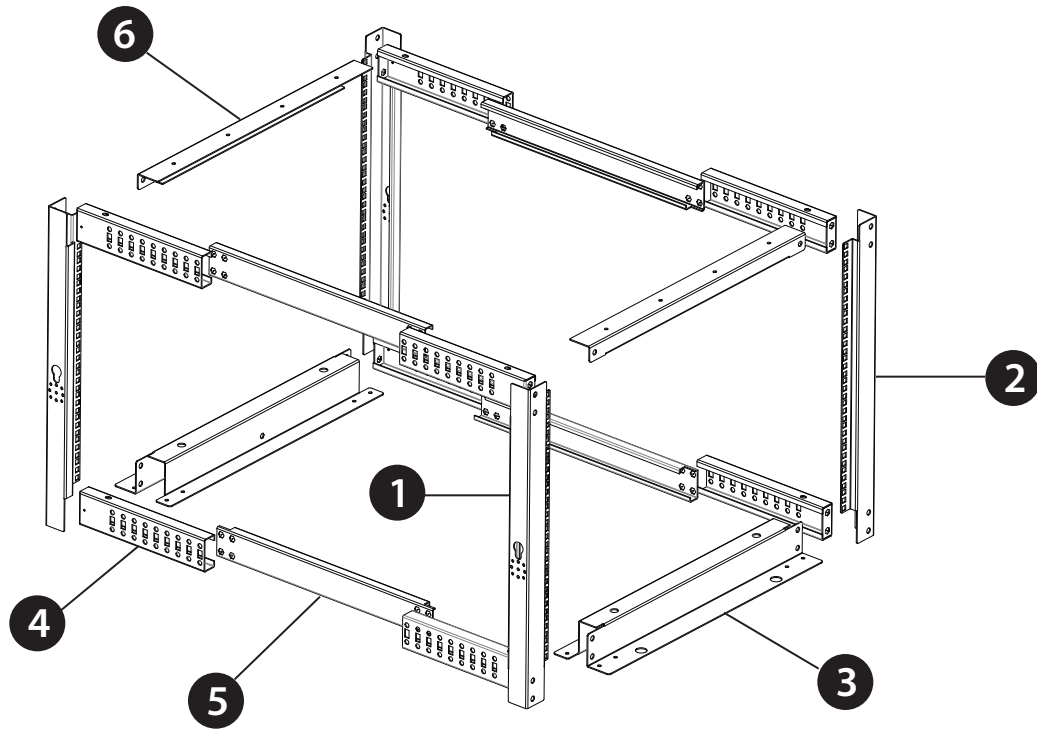
# Introduction

Rocstor SolidRack Adjustable Depth Open Frame 4 Post Rack with Casters - Adjustable mounting depth – Includes Casters - 1200 lb Static/Stationary Weight Capacity - Assembly Required - For Server, Storage, Patch Panel, A/V Equipment, Networking & Telecommunications Equipment - Mobile Data IT rack w/casters, cage nuts, & screws – Heavy-duty Steel - 19in EIA/ECA-310 rated – Black -

OPEN POST ADJUSTABLE DEPTH 4POST RACK

# Component Identification

## Cabinet



1

Left Vertical Rail

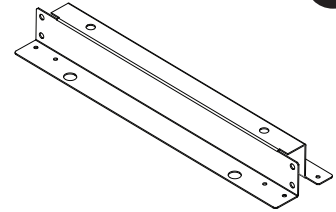
x2



2

Right Vertical Rail

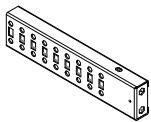
x2



3

Base Bracket

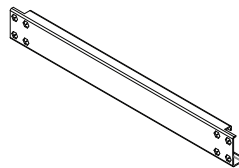
x2



4

Corner Section

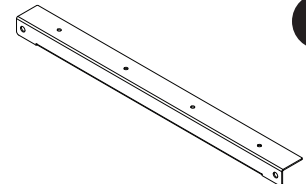
x8



5

Center Section

x4

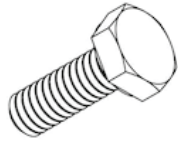


6

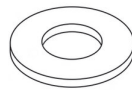
Top Bracket

x2

# Hardware and Accessories



M8 Bolt  
**x48**



M8 Washer  
**x48**



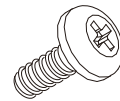
M8 (13mm) Wrench  
**x1**



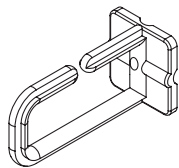
M6 Cage Nut  
**x50**



M6 Plastic Washers  
**x50**



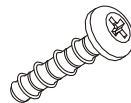
M6 Phillips Head Screw  
**x50**



Cable Management Rings

**Qty Varies**

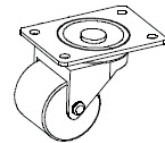
from **4x** for 8U to **24x** for 45U



Hook Mounting Screws

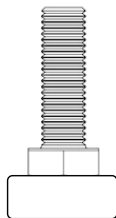
**Qty Varies**

from **4x** for 8U to **24x** for 45U



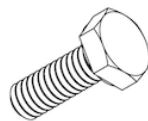
Casters

**x4**



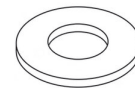
Leveling Feet

**x4**



M6 Screws

**x16**

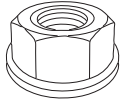


M6 Flat Washers

**x16**



# Hardware and Accessories



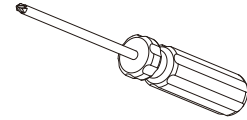
M6 Flange Nut

x16



M6(10mm) Wrench

x1



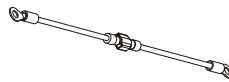
Phillips Screwdriver

x1



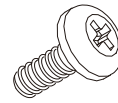
Toothed Lock Washer

x4



Toothed Lock Washer

x1



M6 Phillips-Head Screw

x4

**To ensure proper and secure installation, cage nuts need to be installed horizontally as shown below. Installing cage nuts in the incorrect orientation can cause injury or equipment damage.**



# Installation Guide & Requirements

1. Locate the Corner Sections (x2) and align them with the Center Section (x1) by sliding the Corner Sections into the Center Section. (see the following illustration)

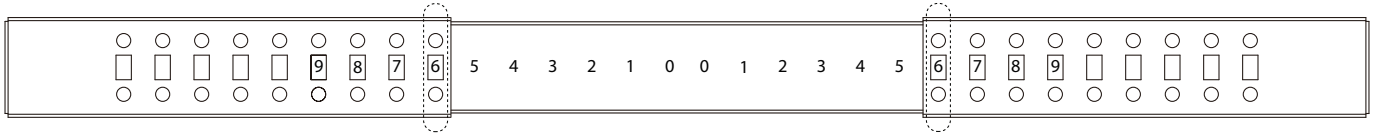


2. Refer to the following Mounting Depth Chart and choose the required Setting Numbers that is recommended for your equipment. Choose your maximum required mounting depth for your rackmount equipment.

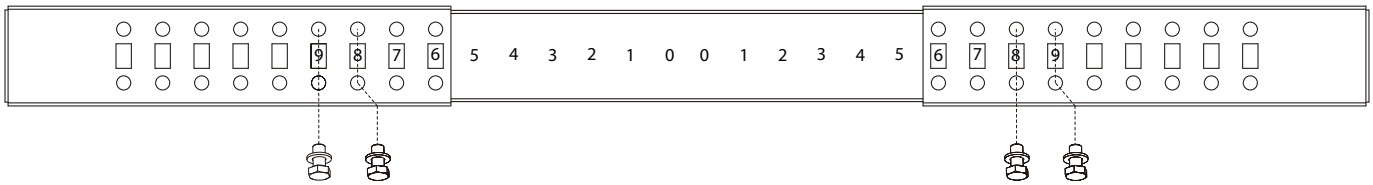
Mounting Depth	Index Numbers	Mounting Depth	Index Numbers
22 in.	0 and 0	31 in.	4 and 5
23 in.	1 and 0	32 in.	5 and 5
24 in.	1 and 1	33 in.	5 and 6
25 in.	1 and 2	34 in.	6 and 6
26 in.	2 and 2	35 in.	6 and 7
27 in.	2 and 3	36 in.	7 and 7
28 in.	3 and 3	37 in.	7 and 8
29 in.	3 and 4	38 in.	8 and 8
30 in.	4 and 4	39 in.	8 and 9
		40 in.	9 and 9

# Installation Guide & Requirments

**3.** Locate the Corner Sections (x 2) and then slide them inward into the Center Sections (x1). At this time, you may align the Setting Numbers on the Center Sections with the first Rectangular Cutout on the Corner Sections (x 2).

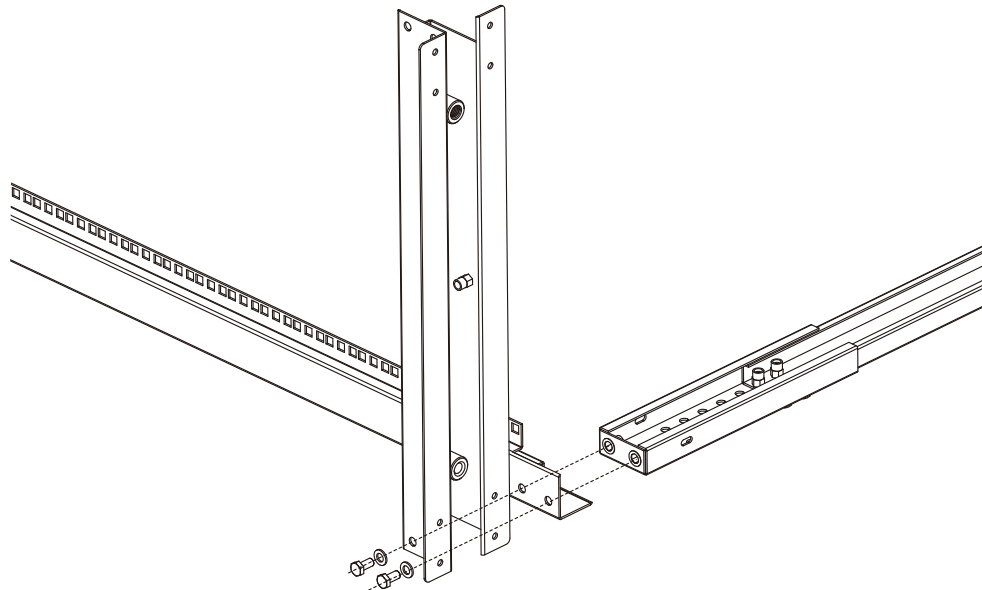


**4.** At this time, you may Insert the supplied (8) eight M8 Bolts through eight M8 Washers. Insert the Bolts and the Washers into the holes in the Corner Sections (x2) and Center Sections. After completing this, please tighten the M8 Bolts on the Center Section Assembly by using the 13 mm Wrench.



# Assemble the Rack

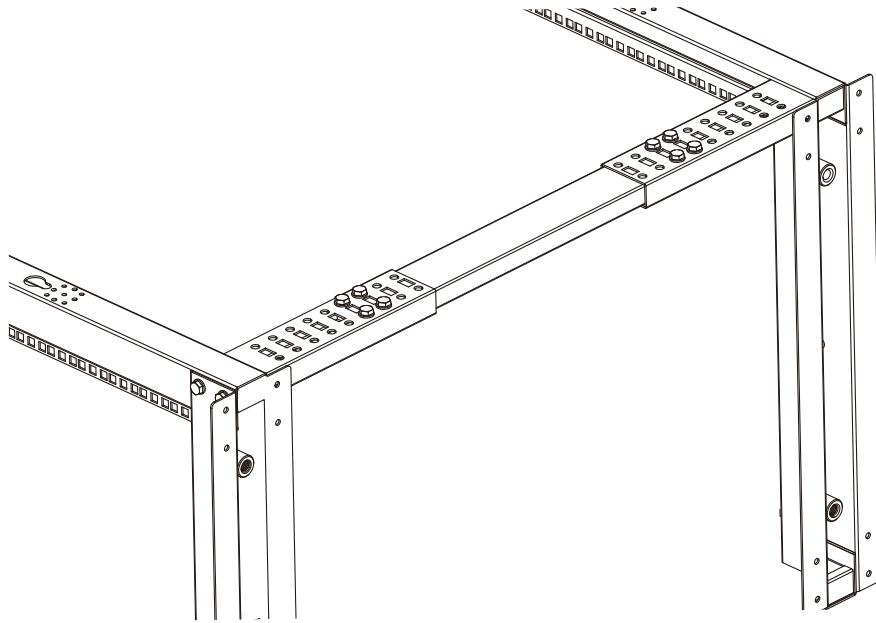
- 1.** Locate the Left Vertical Rail and Right Vertical Rail. Make sure the rack height numbers are faced outwards and facing up. Then Place the two Right and Left Rail on the ground in a parallel setting.
- 2.** Insert one Center Section Assembly between the bottom of the Left Vertical Rail and the Right Vertical Rail. Ensure the holes in the ends of the Center Section Assembly align with the holes in the bottom of the Left Vertical Rail and the Right Vertical Rail. Make sure the Center Section Assembly numbers face the ground.
- 3.** Gently Lift the Base Bracket and have it vertically aligned with the two holes in the side with the two holes in the Vertical Rail and Center Section Assembly.
- 4.** For both sides of the Base Bracket, use the M8 washers and the bolts. Insert two M8 Bolts into two M8 Washers and then into the holes of the Base Vertical Rails, Base Bracket, and into the Center Section Assembly.



- 5.** Using the 13 mm Wrench, carefully tighten the M8 Bolts.
- 6.** For the second Base Bracket, please repeat steps 3 to 5.
- 7.** At this time, please lift the assembly of parts into upright position.

## Assemble the Rack

**8.** For the other side of the Base Bracket, please locate the second Center Section Assembly and slide it between the other side of the base bracket. Please make sure on the Center Section Assembly that the Setting Numbers face outside the Rack.



**9.** Locate the Base Bracket and Center Section Assembly. Then Slide the Left Vertical Rail Between these two Bracket and the Assembly units. Please note the Left Vertical Rail should have the height numbers face upright.

**10.** At this time, locate and Insert two M8 Bolts through two M8 Washers and into the holes in the Base Bracket that align with the Vertical Rails and the Center Section Assembly.

**11.** Using the 13 mm Wrench, carefully tighten the M8 Bolts.

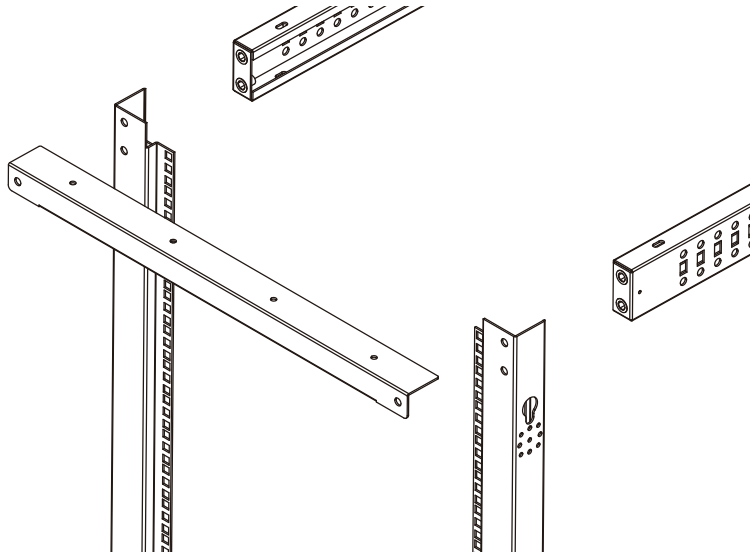
**12.** For the Right Vertical Rail, please repeat steps **9** to **11**.

# Assemble the Rack

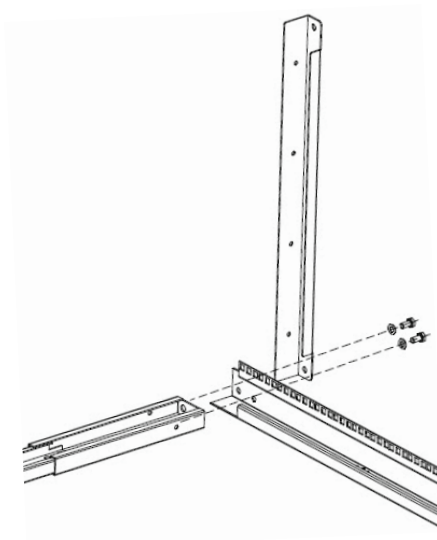
**13.** On the left hand side of the Rack, install the Center Section Assembly by sliding it between the top of the left side Vertical Rails.

**14.** Now on the right-hand side of the Rack, slide a Center Section Assembly by sliding it between the top of the right side Vertical Rails.

**15.** At this time, install and place one Top Bracket on top Front side and the other Top Bracket on the top Rear side of the Rack.



**16.** Use and tighten with the 13mm Wrench the supplied M8 Washers and Bolts into the holes located in the Top Brackets and the top Vertical Rails.



# Leveling Feet Instructions

## **WARNING**



**Use at least two people to unpack the enclosure.**



## **Move the Cabinet**

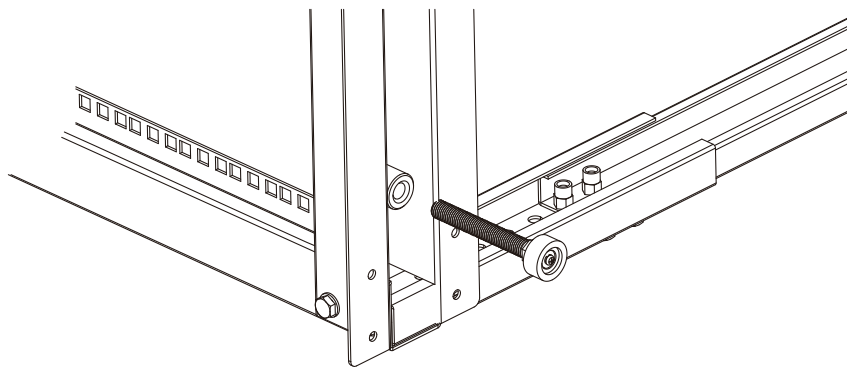
### **TIP/ HEAVY EQUIPMENT HAZARD**

- Be extremely cautious when moving or unpacking this rack/cabinet.
- When moving or unpacking this rack/cabinet, Two people are preferred and are required to move and unpack.
- Make sure the leveling feet are up when moving or pushing the Rack.

**Not following these instructions carefully, it can result in death, serious injury, or equipment damages.**

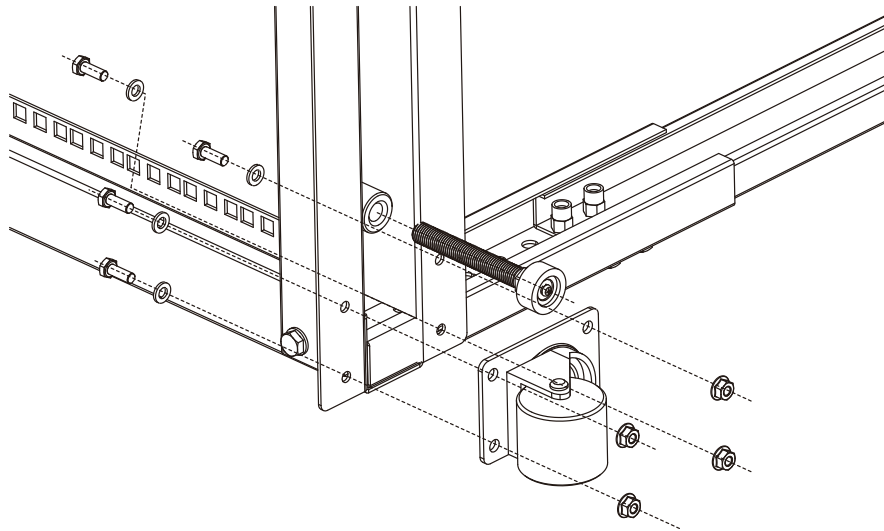
## **Leveling Feet Instructions**

1. Change the position of the Rack and place it onto its side for installation of the Leveling Feet.
2. Insert the four Leveling Feet into the four holes located in the bottom of each Base Bracket. Then insert the Leveling Feet into each of the Base Bracket holes. Tighten each of the Feet.



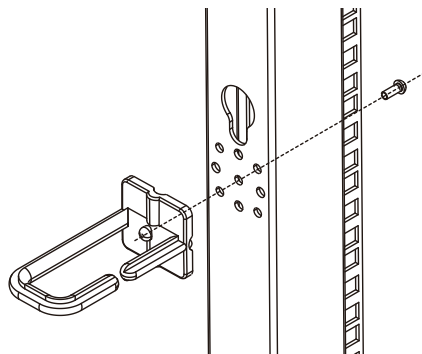
# Installing the Casters

1. Locate the four holes in the bottom of the Rack and align them with the holes in each Caster. Then insert the four (4) supplied M6 Screws in the four M6 Washers. Continue by inserting the M6 Screws through the Caster holes at the base.
2. Insert four M6 Screws through four M6 Flat Washers and down through the holes in the Rack.
3. At this time using the M6 Flange Nuts, thread them in the M6 Screws. Thread four M6 Flange Nuts onto the M6 Screws. Continue by tightening the M6 Screws to the base and the Flange Nuts. You may use the supplied 10mm Wrench to fully tighten the screws. Continue to repeat this procedure for all 4 Casters.



# Cable Management Hooks Installation

1. Locate the Cable Mounting Screw Holes on the back of the Rack. Hold the Cable Management Hooks and align them with the corresponding holes on the Rack. At this time insert the Mounting Screws into the Rack and the Cable Management Hook.



2. Tighten the Hook Mounting Screws with the Phillips Head Screwdriver. Then install the other Cable Management Hooks by repeating the same steps.



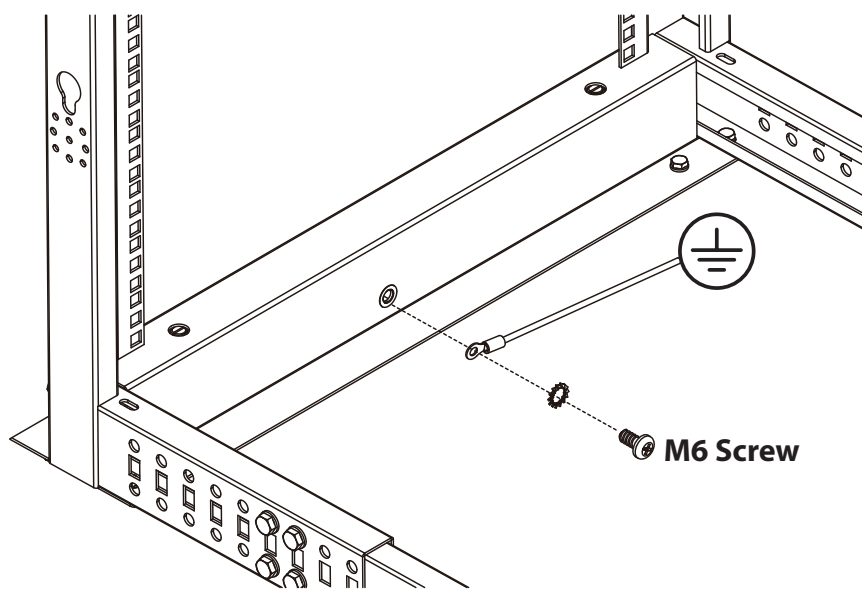
# Rack Grounding Instruction

**⚠ ⚡ DANGER**

## HAZARD OF ELECTRIC SHOCK

Connection of the cabinet to building Common Bonding Network (CBN) is required.  
**Failure to follow these instructions will result in death or serious injury.**

Locate the Ground Hole located on the bottom of the Rack. Use the supplied M6 Screw through the Grounding Point and use a Grounding Wire that will run under the Rack Frame. At this time, connect the Grounding Wire to your designated and safe Earth Ground Connection.



## Leveling Feet Adjustments

To provide full stability for the rack enclosure, you must level the feet by hand first and then use a 14 mm Wrench on all the four Leveling Feet. Use a Spirit or Bubble Level for proper Rack leveling measurement. Make sure all the Feet have the same height and they are firmly touching the floor.

# Five-Year Factory Warranty

Rocstor provides a Limited Factory Warranty which applies to products you have purchased for commercial or industrial use in the ordinary course of your business.

## Terms of warranty

Rocstor warrants its SolidRack product series to be free from defects in materials and workmanship for a period of five years from the date of purchase. Rocstor's obligation under this warranty coverage is limited to repairing or replacing, at its sole discretion, any such defective products. This warranty does not apply to equipment that has been damaged by accident, negligence, or misapplication or has been altered or modified in any way. In the event Rocstor repairs or provide a replacement of a defective product or part, the warranty does not extend the original warranty period. Rocstor reserves the right to repair or replace any parts under warranty as new or factory re manufactured.

## Non-transferable warranty

This warranty extends only to the original purchaser who must have properly registered the product. The product may be registered at the Rocstor Web site, [https://rocstor.com/customer-support/warranty registration](https://rocstor.com/customer-support/warranty-registration).

## Exclusions

If Rocstor tests or examines the alleged defect in the product and finds that the damages or defects do not exist or were caused by a third party or an end user's misuse, improper installation or testing, or negligence, then Rocstor shall not be liable under the warranty. Furthermore, unauthorized attempts to repair or modify the product by wrong or inadequate electrical connection or voltage, inadequate or inappropriate site operation conditions, repair, installation corrosive area or atmosphere, a change in location or operating conditions or use, repair by non-Rocstor designated personnel, exposure to the elements, fire, Acts of God, theft, or equipment installation not recommended or contrary to Rocstor's specifications or recommendations. Warranties will be void and Rocstor will not be liable if the product serial number is tampered with, altered, removed, defaced or any other cause beyond the range of intended use.

# Contact Information

## Corporate Headquarters

12979 Arroyo Ave  
San Fernando, CA 91340 - USA

Office: +1 (818) 727-7000  
Fax: +1 (818) 875-0002  
Email: info@Rocstor.com

## Technical Support / RMA

Hours: 9:00 am - 5:00 pm PST  
Mon - Fri (excluding holidays)

Tell: +1 (818) 727-7000 (Domestic and Internationals)  
Fax: +1 (818) 875-0002  
Email: support@Rocstor.com

## Sales Info

Hours: 8:00 am - 5:00 pm PST  
Mon - Fri (excluding holidays)

Tell: +1 (818) 727-7000 (Domestic and Internationals)  
Fax: +1 (818) 875-0002  
Email: support@Rocstor.com

## Corporate, Government and Academic Customers

Our Corporate Sales Team's goal is to help our U.S.A. and Canadian customers find a storage solution that best serves their needs. We will help you determine your best purchasing options. For more information please contact the appropriate department below or call us at +1 (818) 727-7000.

General sales information:	sales@Rocstor.com
Corporate sales information:	corporate_sales@Rocstor.com
Educational sales information:	academic_sales@Rocstor.com
Federal, State & Local government sales information:	government_sales@Rocstor.com

## Resellers/Business Development/OEM Partners

All Channel National and International Resellers, VARs, Consultants ...

contact Rocstor Channel Sales: call: +1 (818) 727-7000  
Email: reseller\_info@Rocstor.com