

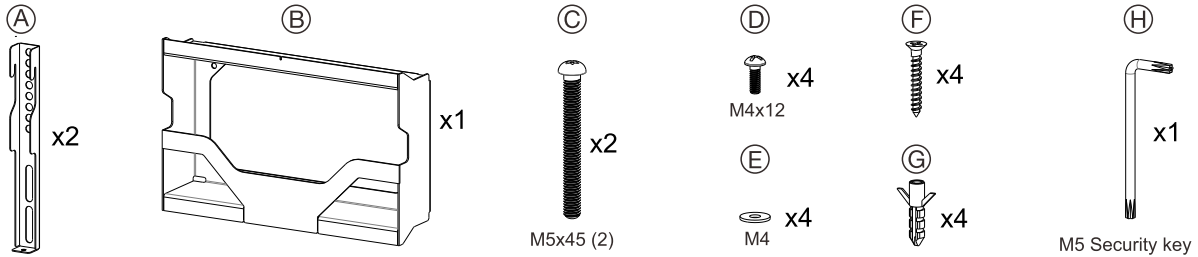


# TV & Monitor Wall Mount with Storage Compartment for 14"-42" Displays

TV-WMSC

## INSTRUCTION - MANUAL

### Package Contents

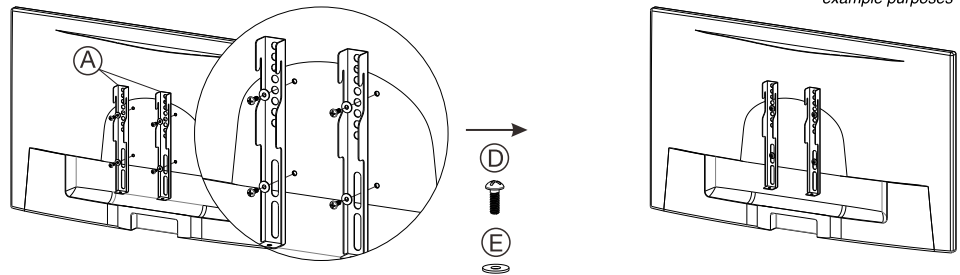


### Instructions

#### 1. Setting Up Brackets onto Monitor

1A. Align VESA holes of TV or Monitor (not included) with that of the VESA holes of the brackets as illustrated to the right.

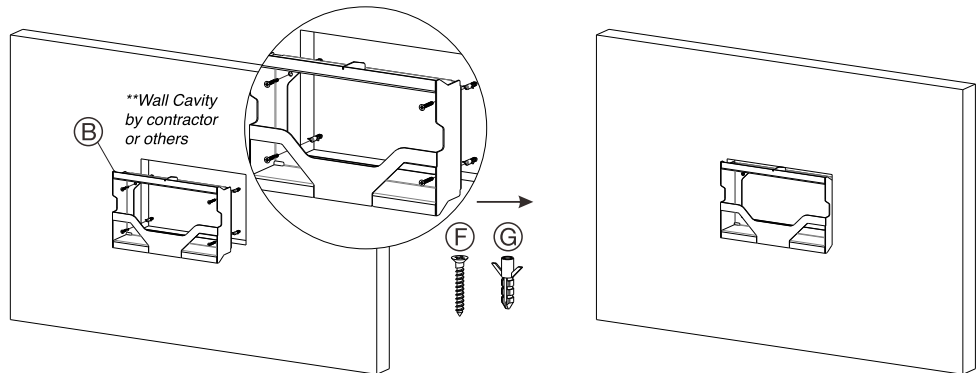
1B. Using a screwdriver (not provided), rotate in 4 screws (D) and 4 washers (E) from behind through the bracket into the monitor until securely fastened.



#### 2. Setting Up Storage Compartment into Wall Cavity

2A. Identify wall cavity which is created by contractor or others in line with storage compartment's measurements and features.

2B. Measure and identify locations to pre-drill to locate anchors and screws into. Using a screwdriver (not provided), rotate in screws (F) and anchors (G) through compartment (B) into wall as illustrated until securely fastened.



#### 3. Setting Up Bracket & Monitor Assembly to Storage Compartment Assembly

3A. Identify the hook features at the top of the brackets (A). Hook the back of both brackets onto the top bar of the storage compartment (B) as illustrated. Using provided tool (H), rotate in 2 screws (C) from bottom of bracket as illustrated to secure assembly in place.

