



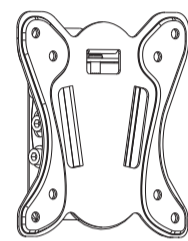
# Slim VESA Wall Mount For Monitors

## ADD-MVWM

### INSTRUCTION MANUAL

Thank you for choosing CTA Digital's product. We hope that you will enjoy using it. Please follow the guidelines and instructions as laid out in this instruction manual.

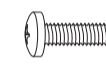
#### Package Contents:



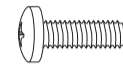
A (x1)



B (x1)



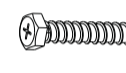
M4x14 (x4)  
M-A



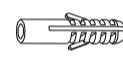
M5x14 (x4)  
M-B



D5 (x4)  
M-C



W-A (x2)



W-B (x2)



W-C (x2)

#### Tools Needed (Not Included):



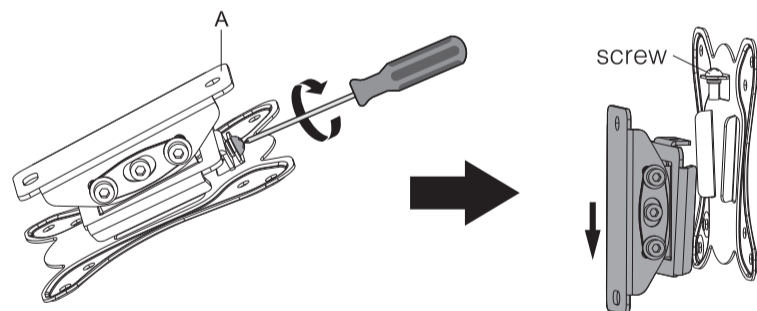
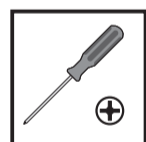
#### Instructions:

VESA Compatible  
75x75 100x100

27"  
MAX  
FLAT/CURVED

2-7kg  
(4.4-15.4lbs)  
RATED

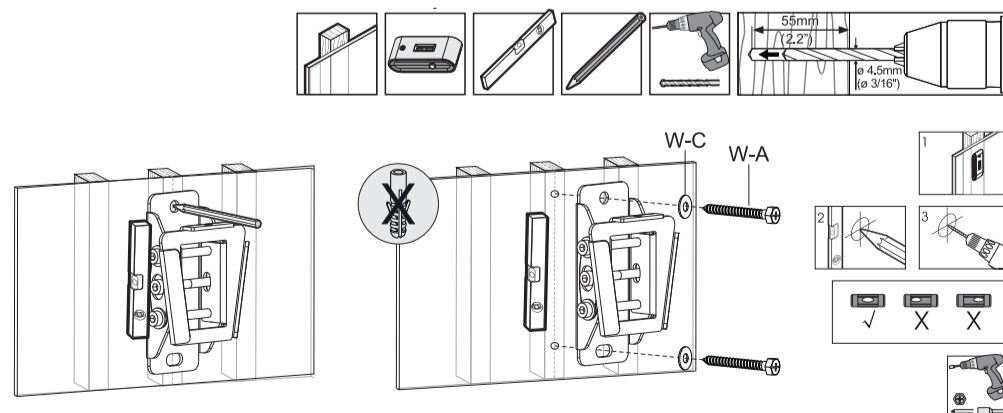
#### 1 Separating Wall Mount into Separate Components



1.1 Identify screw on top. Using a screwdriver (not included), loosen the screw. Gently remove the VESA component of wall mount in an upward motion until completely removed.

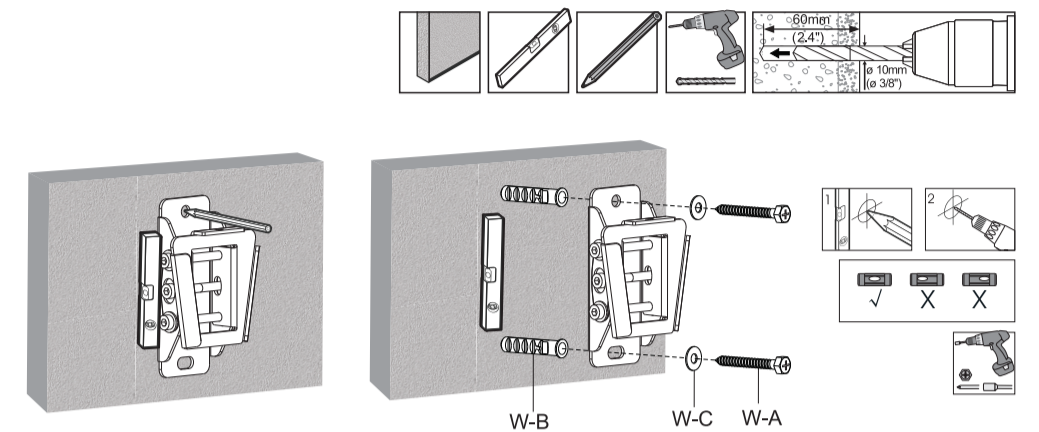
#### 2A Wall Mounting to a Stud

2A.1 - First locate studs behind wall. Take the canopy half of the wall mount and align it along the wall where the stud is. Use a level (not provided) to check the vertical alignment. Using a pencil (not provided) to mark in the holes for drilling. No anchors are needed. Take the screw (W-A) and the washer (W-B) and drill into the canopy holes as illustrated until securely fastened. Drill bits (not included) should be 3/16" diameter and drilling 2.2" into the stud.

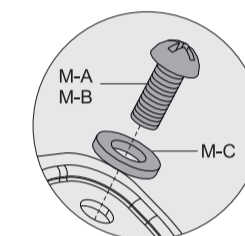


#### 2B Wall Mounting to Solid Wall

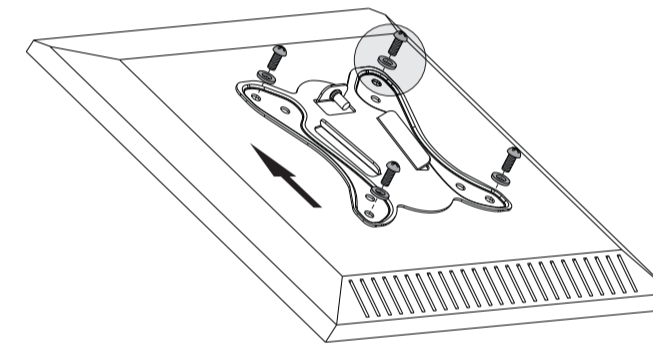
2B.1 - Identify location to be mounted. Take the canopy half of the wall mount and align it along the wall where the stud is. Use a level (not provided) to check the vertical alignment. Using a pencil (not provided) to mark in the holes for drilling. Drill into the wall where was marked using a 3/8" diameter drill bit and drill in 2.4" into the wall. Insert the (2) anchors (W-B). Take the screw (W-A) and the washer (W-C) and drill into the canopy holes as illustrated until securely fastened. Drill bits (not included) should be 3/8" diameter and drilling in 2.4" into the stud.



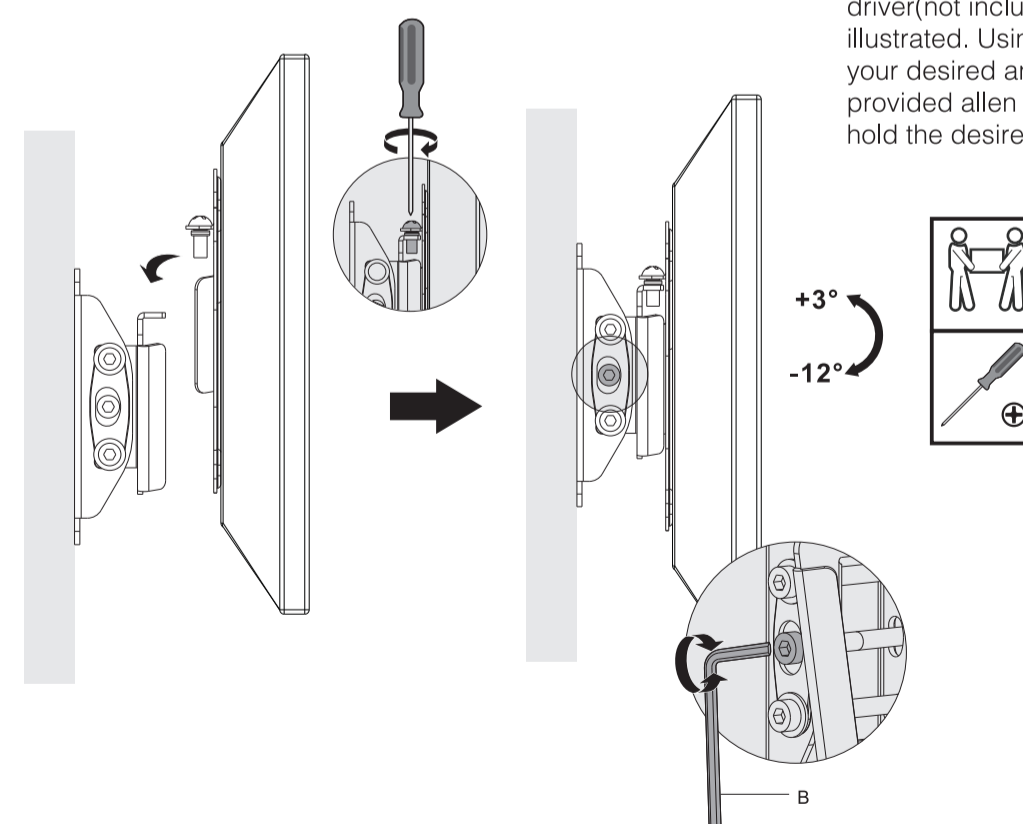
#### 3



3.1 - Take the VESA component of the mount and align it to the VESA holes of your device. Using a screwdriver (not provided) rotate in screws (M-A) or (M-B) along with washer (M-C). Use the screw that closely matches the holes of your device between the (M-A) or (M-B) options.



#### 4



4.1 - Take the now attached VESA plate with device and in a diagonal downward motion, hook onto the wall counterpart. Using a screwdriver (not included), tighten the top screw as illustrated. Using your hands, tilt up or down to your desired angle preference. Afterwards, use provided allen key tool (B) to tighten joint and hold the desired angle in place.