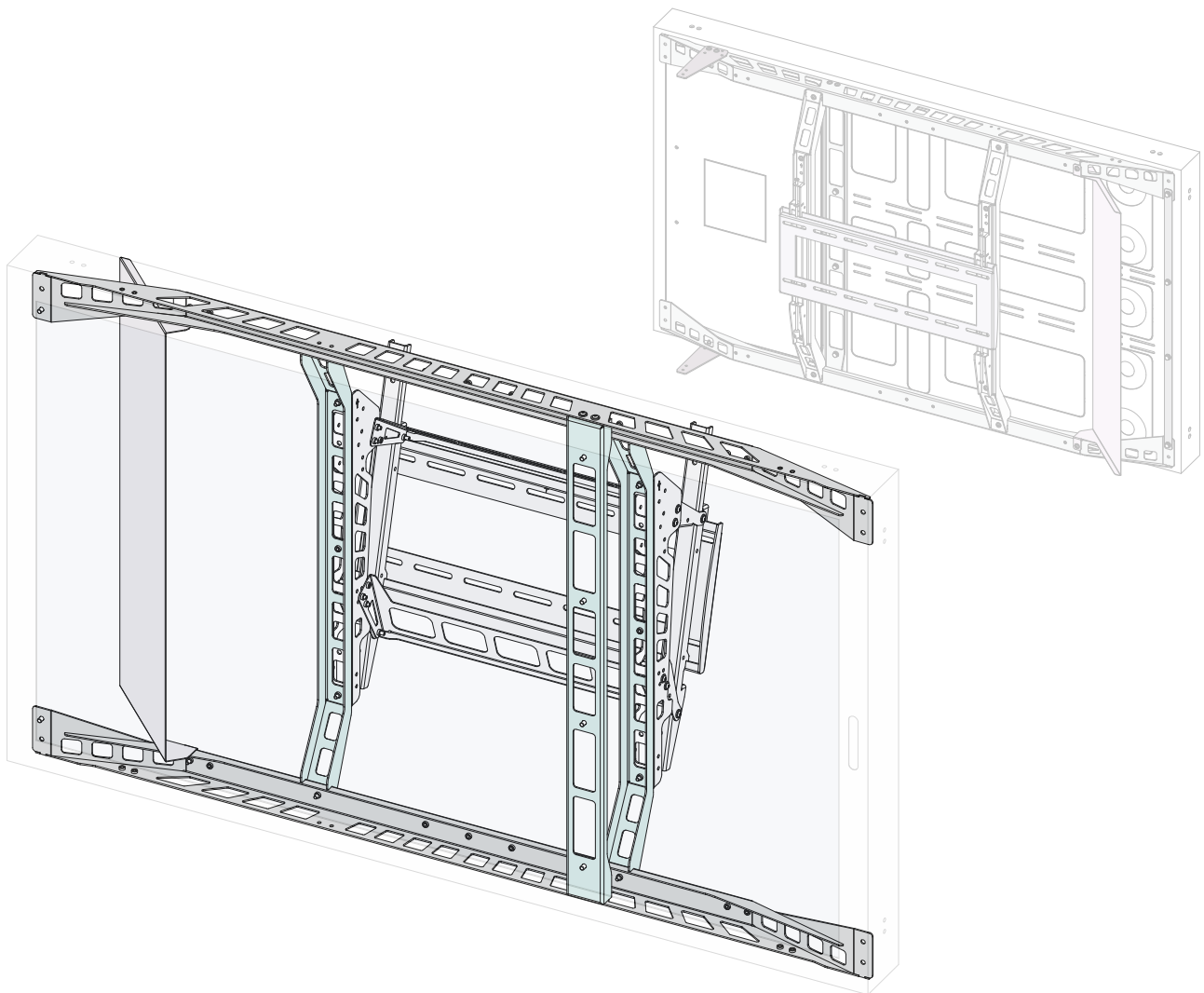


7170-0978 Series
Installation Guide

**Outdoor Flat/Tilt Wall Mount
in landscape for Samsung OH75**





7170-0978 Landscape

Installation Guide

BASIC INFORMATION

Wall mount model	7170-0978-00 (Flat) 7170-0978-01 (Tilt)
Display Model	OH75
Installation Configuration	Landscape
Tilt feature	Available by model Fixed at flat, 5 deg, 10 deg , 15 deg
Environment Temperature	Negative 30 Celsius to 50 Celsius, 24/7 operation
Wall application	Solid concrete, Hollow Brick, or 3/4" plywood-backed wall
Product Weight	53.3 lbs [20.6kg] for flat model 72.3 lbs [32.8kg] for tilt model
OA Weight (Mount & Flat-Panel)	366.4 lbs [166.2 kg] (flat) 385.4 lbs [174.8 kg] (Tilt)
OA Width x Depth x Height (Landscape)	69.87" x (12.59" flat to 23.066" tilt) x 41.47"

INSTALLATION ENVIRONMENT

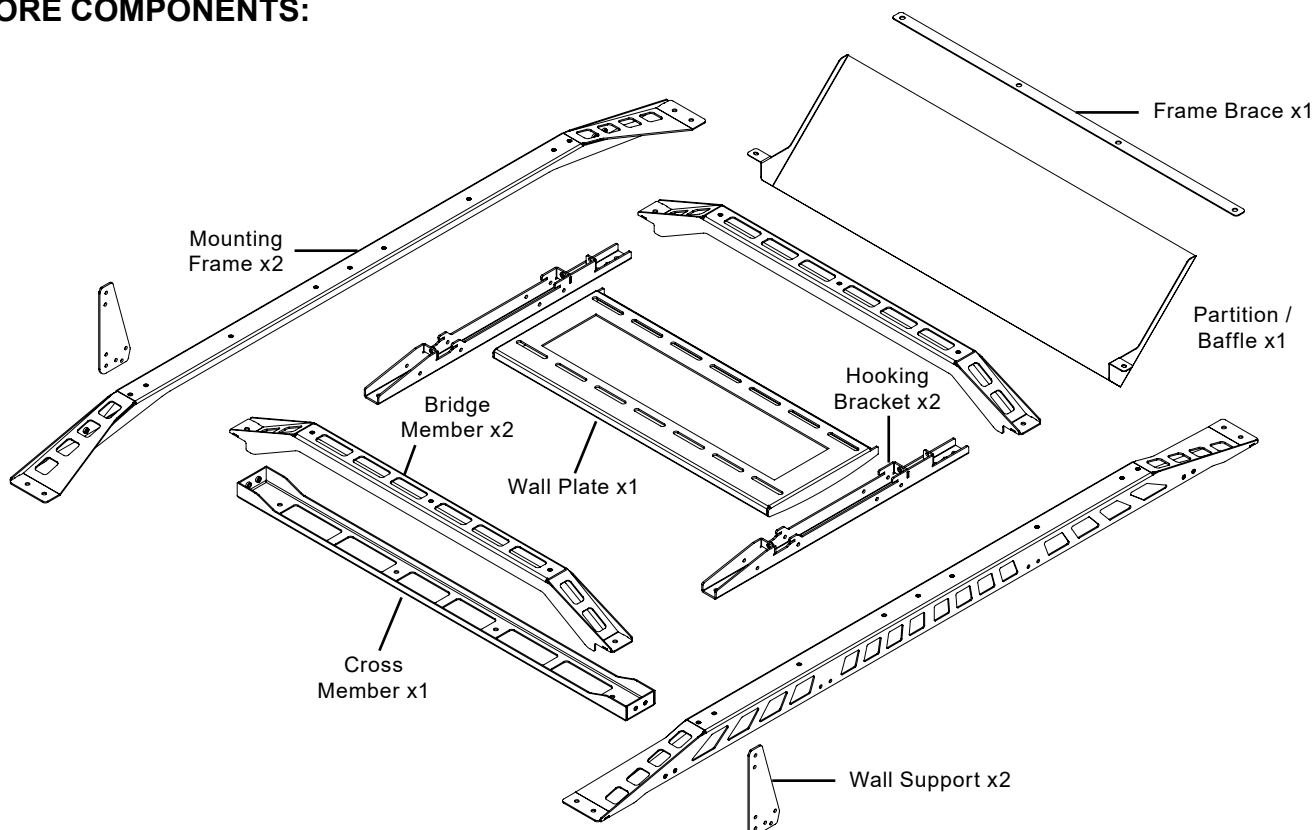
Beach	Must not be placed in areas where seawater is accessible
Wind	Must not be placed in areas with strong winds caused by storms or other natural phenomenon
Snow	Awning or cover is needed to avoid snow piling directly onto inlet
Iron Dust	Suitable, (e.g. train or subway station)

ENCLOSED OR RECESS AREA

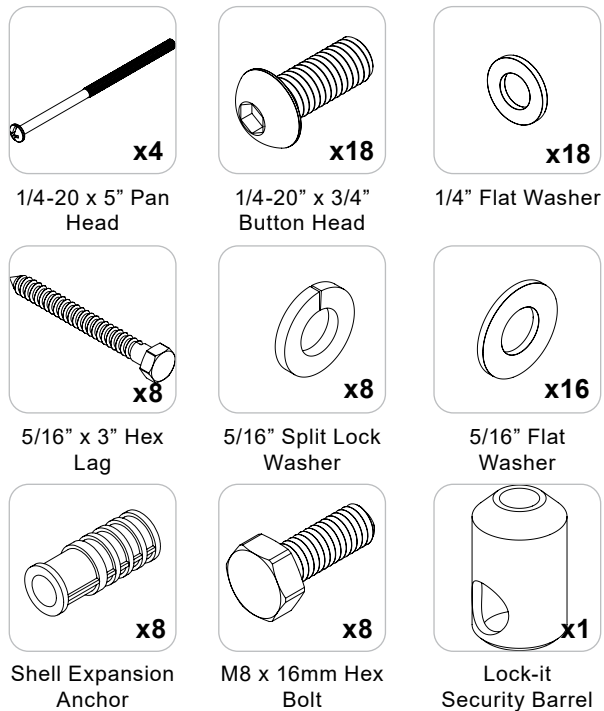
Clearance	200mm (7.88") minimum all around
Additional front glass	Prohibited in any enclosed area



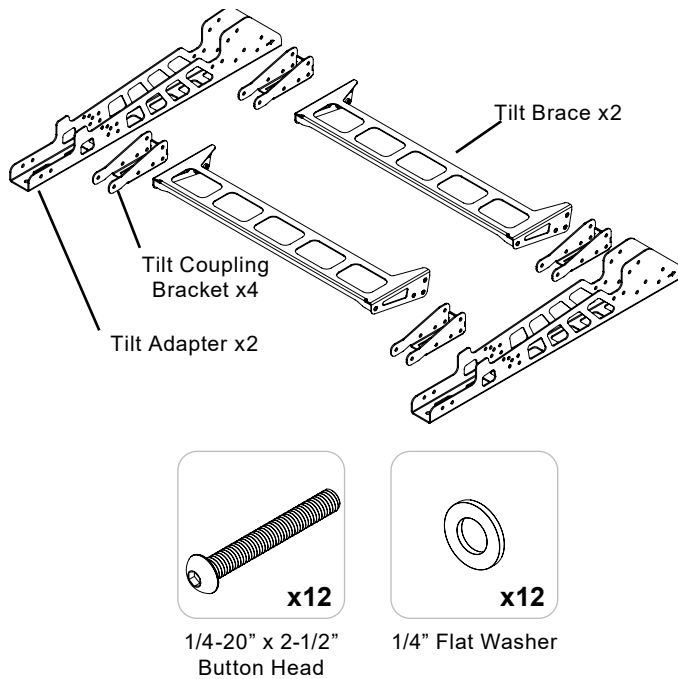
CORE COMPONENTS:



HARDWARE:



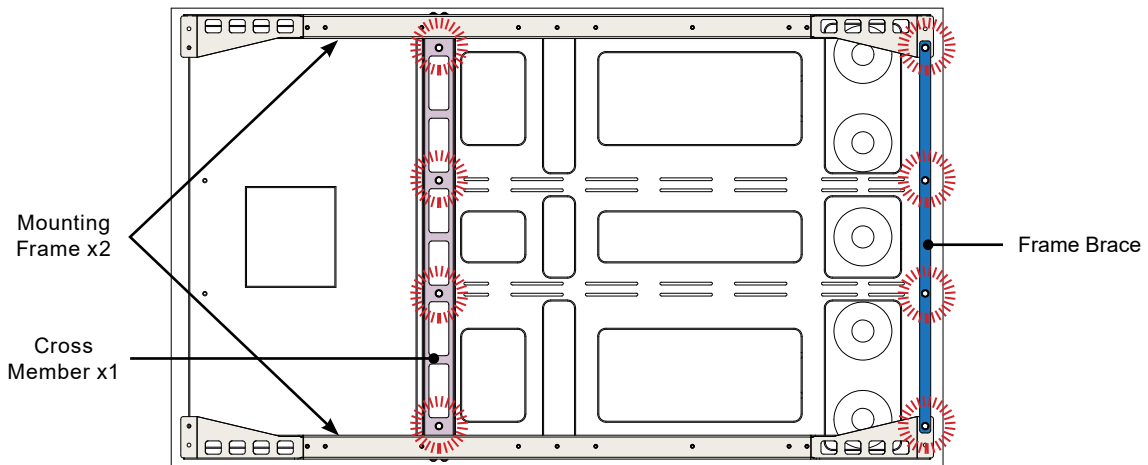
TILT ADAPTER (OPTION):





7170-0978 Landscape Installation Guide

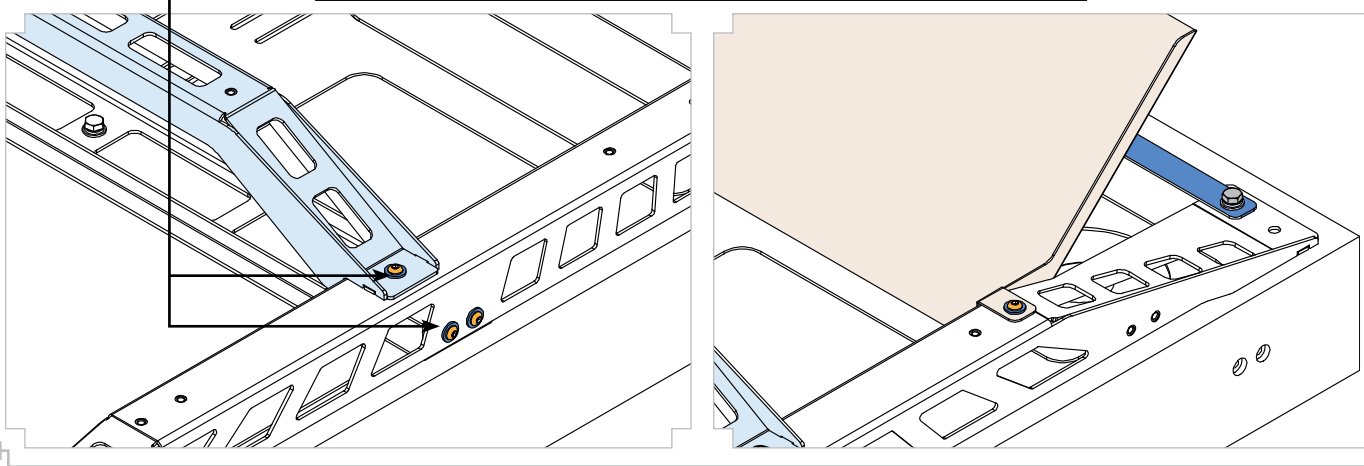
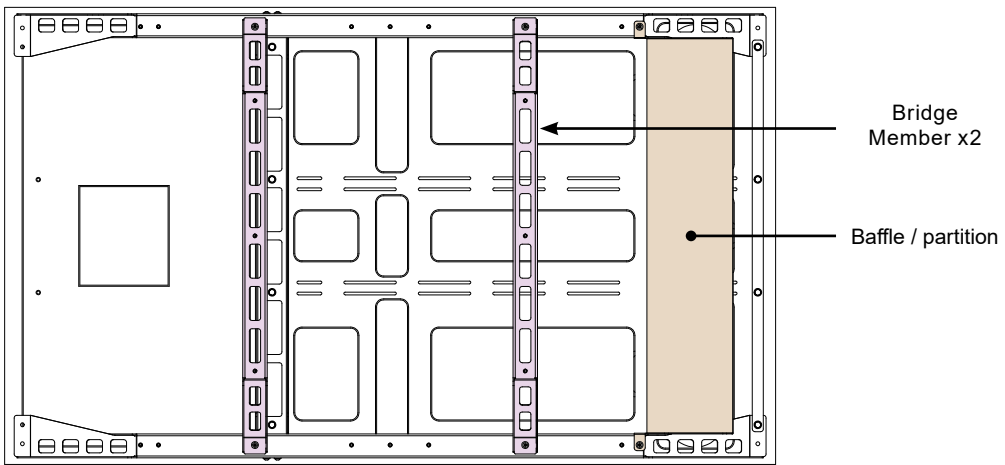
1



Torque: 12 to 15 kgf/cm 67 to 84 lbf/in 8 Places	 M8 x 16mm Hex Bolt	 5/16" Split Lock Washer	 5/16" Flat Washer
--	---------------------------	--------------------------------	--------------------------

2

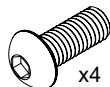
 x10 1/4-20" x 3/4" BH	 x10 1/4" Flat Washer
---------------------------------	--------------------------------





3

Install flat or tilt brackets in landscape.



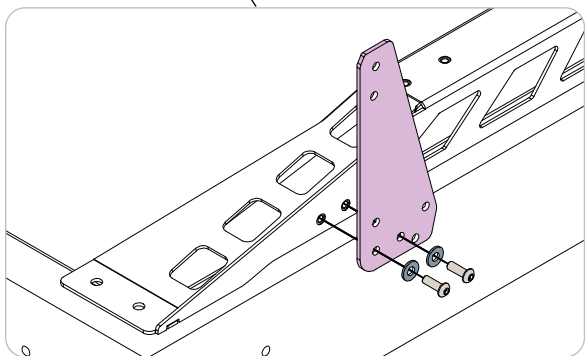
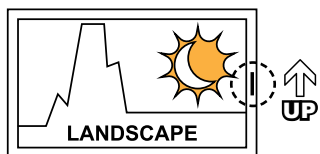
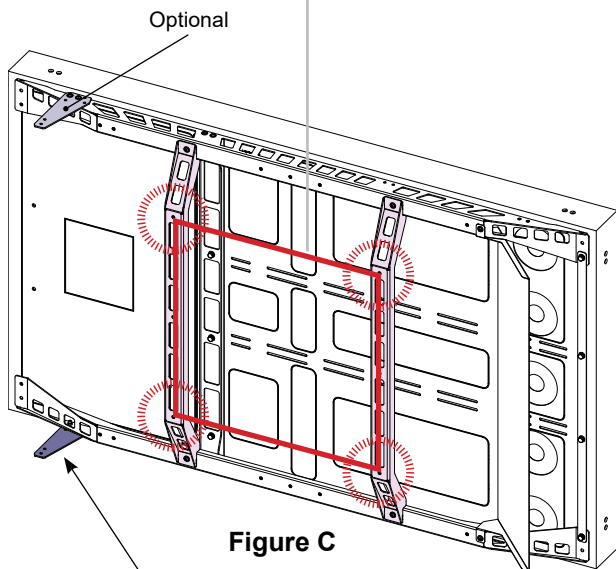
1/4-20" x
3/4" BH

x4



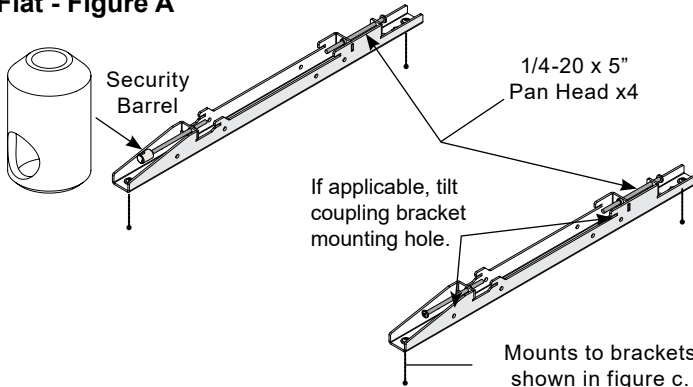
1/4" Flat
Washer

x4



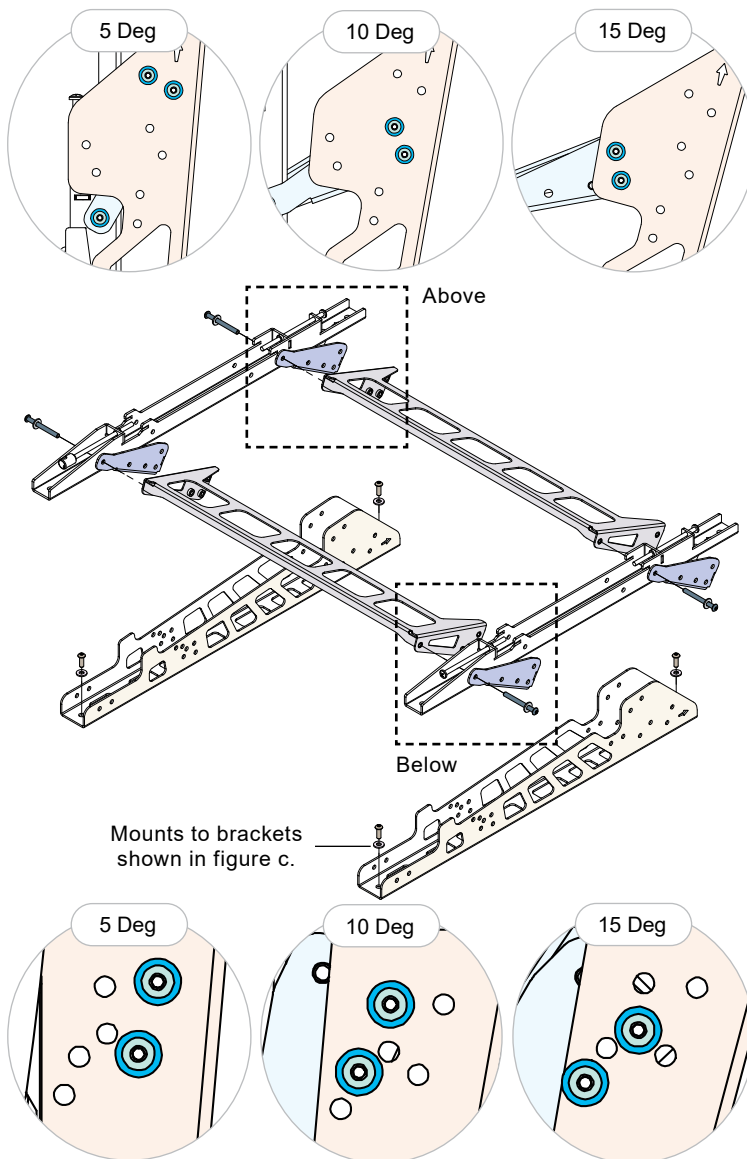
Use 1/4-20" x 3/4" button head screw with washer to secure the support bracket into the frame.

Flat - Figure A



Tilt - Figure B

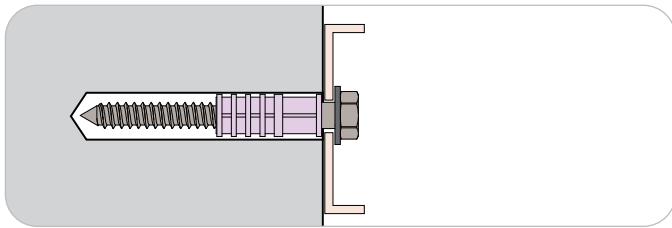
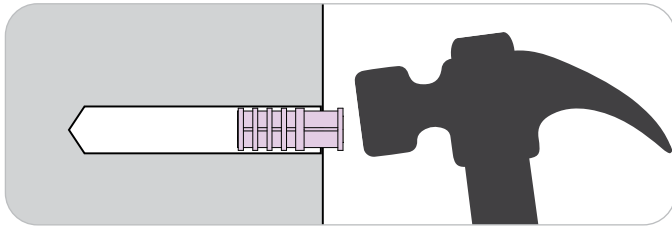
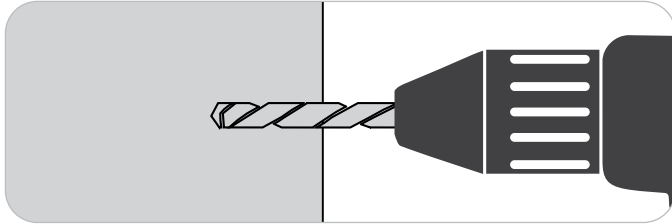
All hardware shown are 1/4-20" x 3/4" BH screw w/ washer.





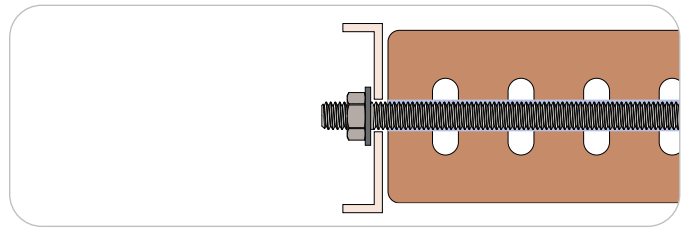
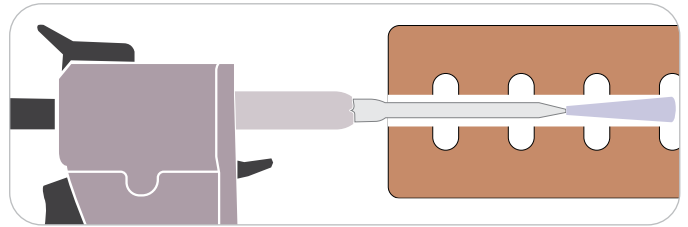
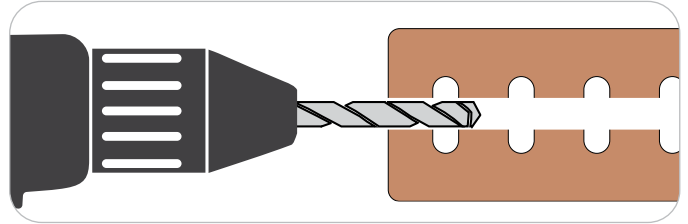
Solid Concrete/Brick

Use proper mounting guideline per state code.



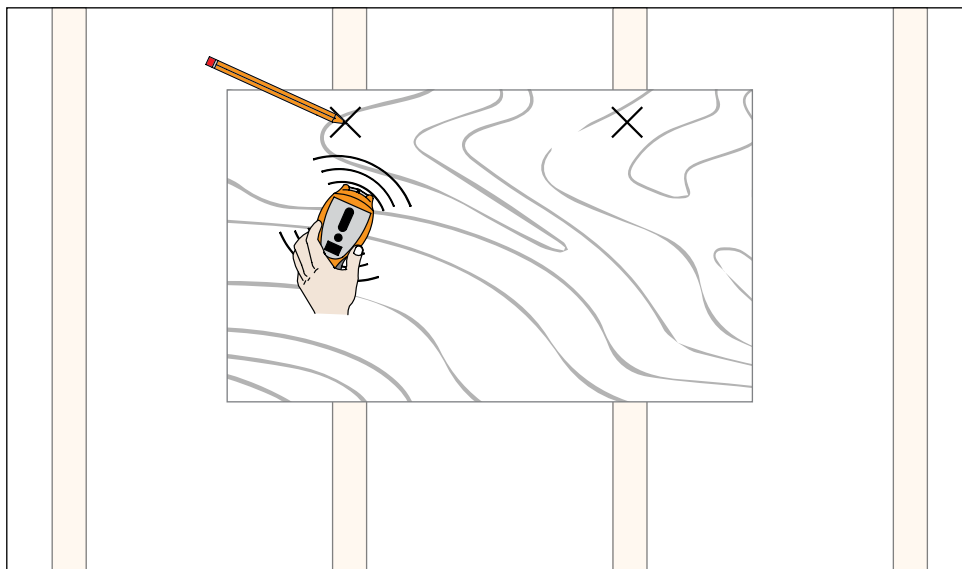
Brick (Alternative)

All hardware, threaded rod, epoxy, and other mounting hardware are not supplied. Shown for reference only.



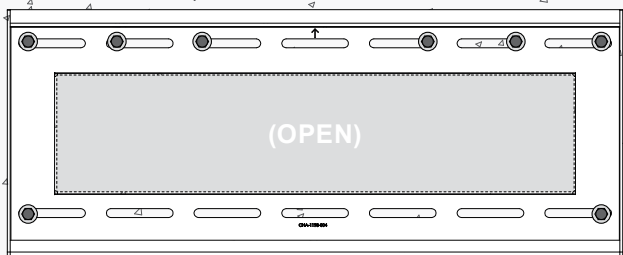
Wood Application

Use a stud finder to determine the center of the wall studs in the vicinity of the mount and mark the wall. Drywood wall must be backed with at least **3/4" plywall** to support the weight of the mount and flat-panel.



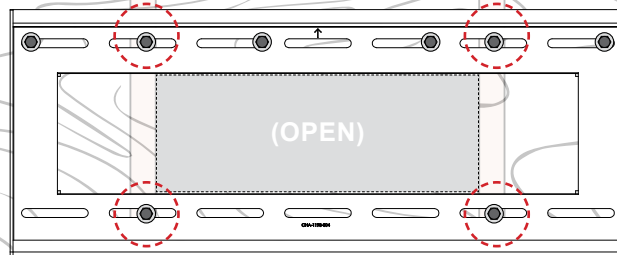
4

CONCRETE/BRICK



Requires a minimum of 6 mounting screws on upper slots and 2 on bottom slots. Shell expansion anchors are suitable for both concrete and brick.

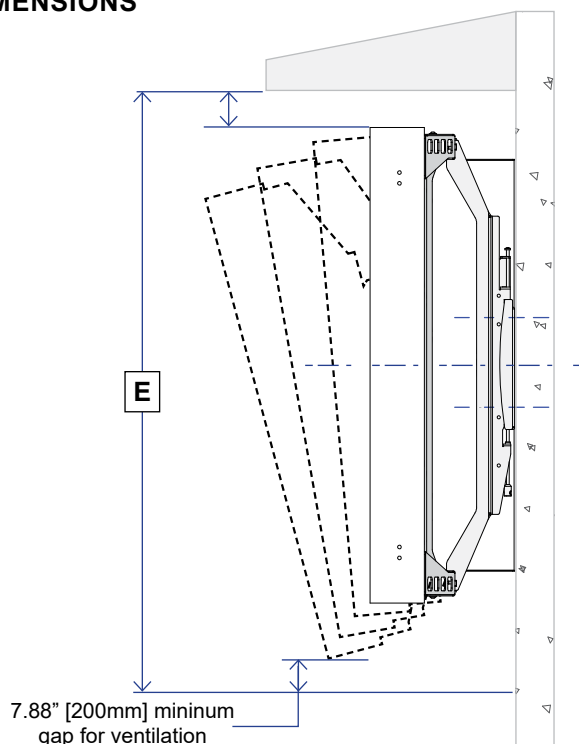
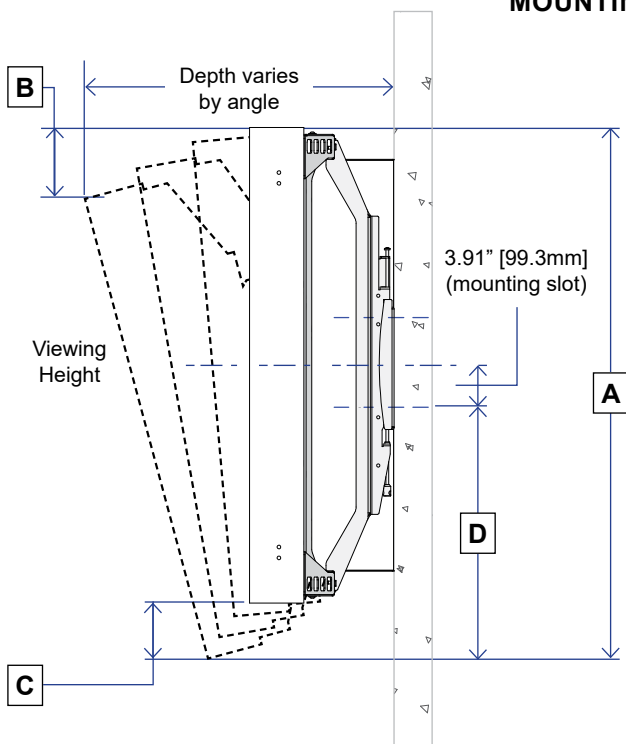
3/4" PLYWOOD-BACKED



Requires at least 6 mounting screws into wood stud and 4 mounting screws on the upper slots. Shell expansion anchors are not used for this application.

5

MOUNTING DIMENSIONS



Letter	Description	Portrait
A	Net Height	44.66" [1134.4mm]
B	Tilt offset (Top)	4.59" [116.6mm]
C	Tilt offset (Bottom)	3.19" [81.1mm]
D	Bottom to mounting slot of the wall plate	20.27" [514.86mm]
E	Minimum clearance of recess area	60.43" [1532.9mm]

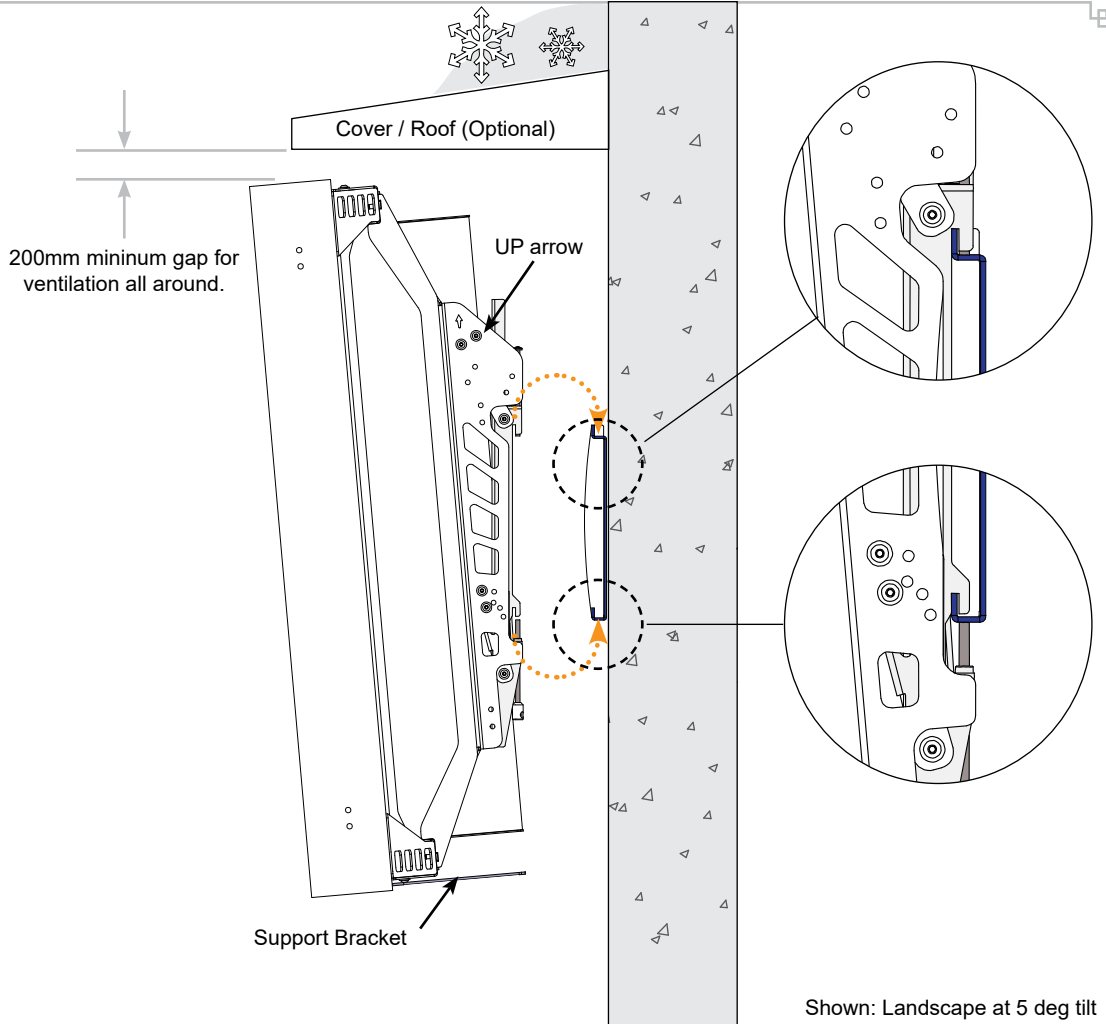
Angle	Depth
Flat	12.59" [319.8mm]
5	16.18" [411.0mm]
10	19.71" [500.6mm]
15	23.07" [586.0mm]



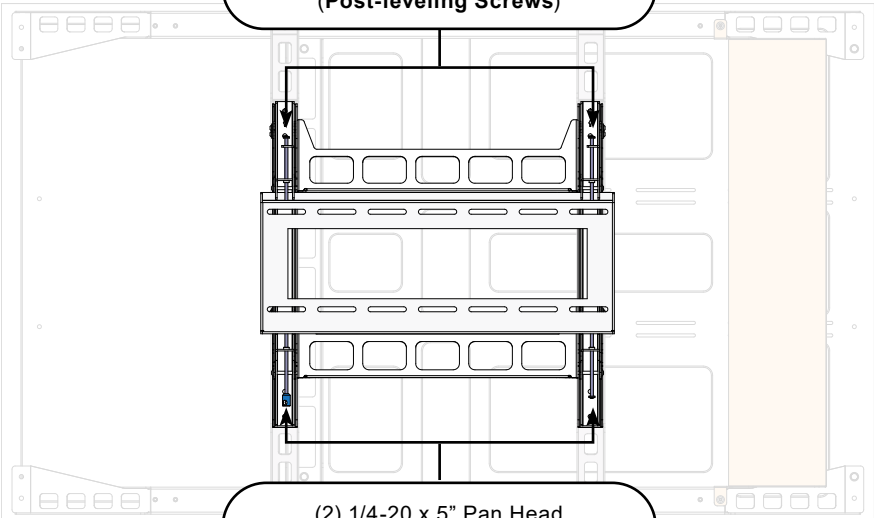
7170-0978 Landscape

Installation Guide

6

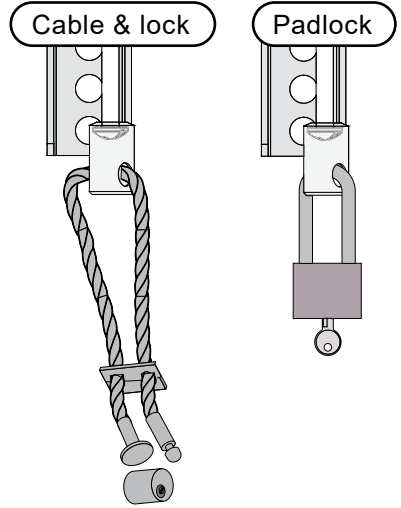


(2) 1/4-20 x 5" Pan Head (Post-leveling Screws)



(2) 1/4-20 x 5" Pan Head (Locking Screws)

SECURITY FEATURE



Lock the security barrel to prevent the mount from being tampered or disengaged.

