

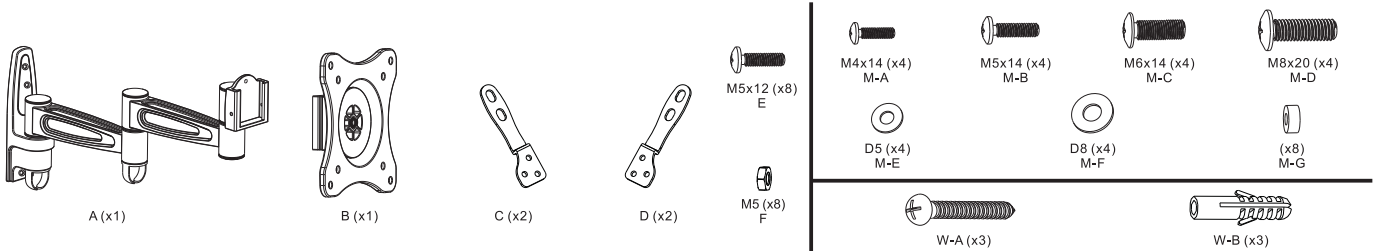


Universal VESA Articulating Wall Mount For TV and Monitors

TV-UVAWM

INSTRUCTION - MANUAL

CONTENTS:



INSTALLATION:

****BELOW : TOOLS REQUIRED FOR INSTALLATION BUT NOT INCLUDED**

1.1 Setting up Wall Mount Bracket on Dry Wall

75x75/100x100
200x100/200x200

42" MAX

20kg (44lbs) RATED

1.1A : Identify the wall studs and locate where you want to place your mount. Place the wall bracket (A) on the wall and with a level (not included), mark off the location of the drill points as illustrated. Key point is to align any of the holes to the spacing of the studs. Afterwards use a powerdrill (not included) with a 5/32" diameter drill bit, and drill 2" deep into where was it marked with (3) screws provided (W-A).

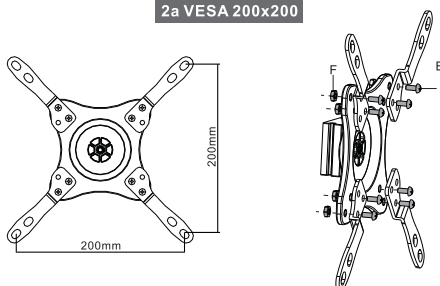
1.2 Setting up Wall Mount Bracket on Solid Wall

1.2A : Place the wall bracket (A) on the desired location on the wall and with a level (not included), mark off the location of the drill points as illustrated. Afterwards use a powerdrill (not included) with a 3/8" diameter drill bit, and drill 2.2" deep where was marked with (3) screws provided (W-A).

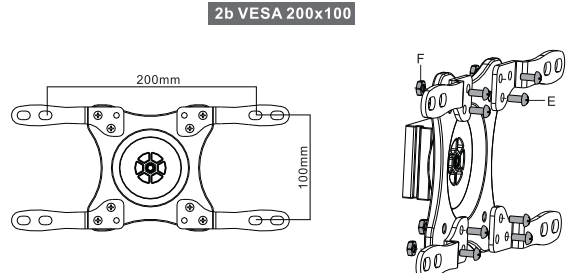
2 Setting Up Your VESA Mount to the Correct Configuration

2A: Identify whether your monitor or TV device has mounting holes in the 200x200 or 200x100 configuration. Arrange the arm pieces in the right configuration. After, take the screws (E) and hex nuts (F) and align them with the holes. Using a screwdriver (Not provided), rotate in the screws while holding the hex nuts from behind with your hands.

2a VESA 200x200



2b VESA 200x100

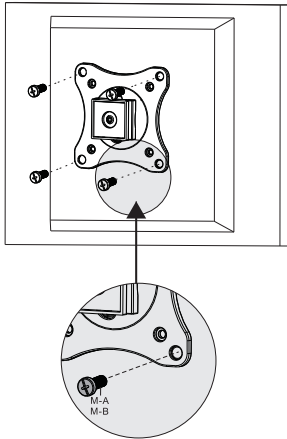


3 Mounting TV to Wall Brackets

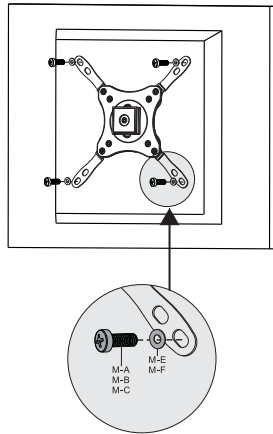
3A: Align your now arranged VESA bracket to the back of your TV / Monitor device (Not Included). Then use the proper combination of screws, washers, nuts as illustrated below based on what VESA configuration you are. Rotate in securely and make sure everything is tight and on right. Find the right image context for your setup below.



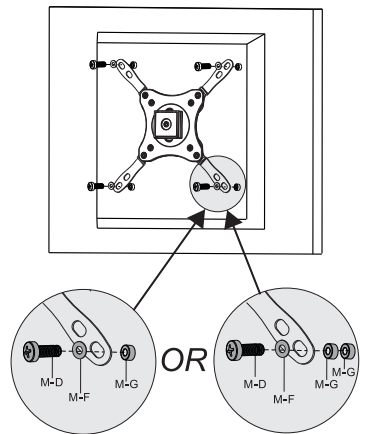
VESA 75x75, 100x100



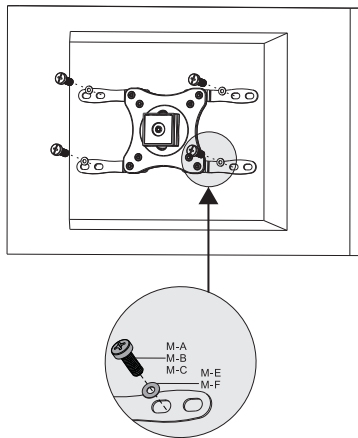
VESA 200x200



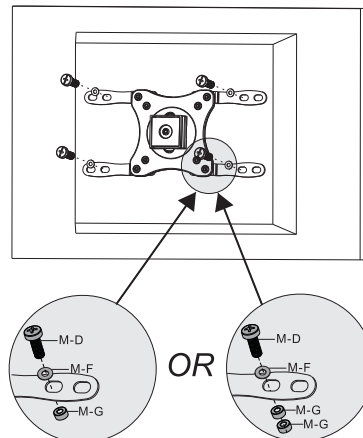
VESA 200x200



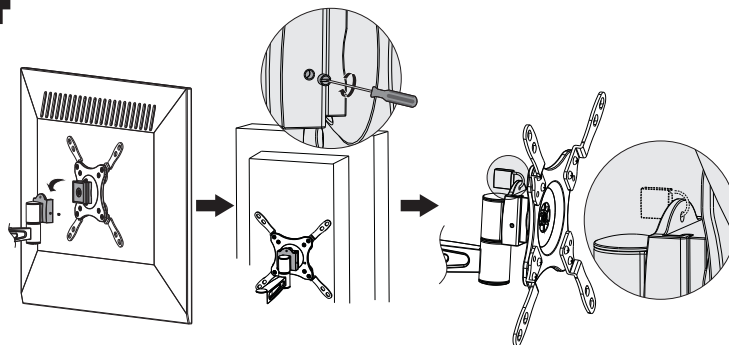
VESA 200x100



VESA 200x100



4 Attaching TV/Monitor/VESA Setup to Wall Arm



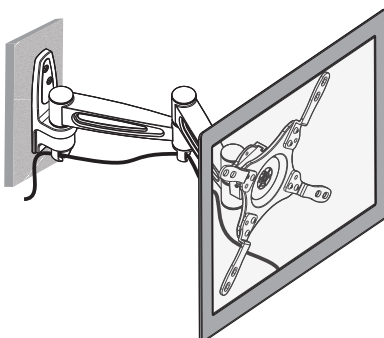
4A: Identify the connector adapter at the end of the wall arm. There should be a small screw on the edge which you need to first remove with a flat head screw driver tool (Not included) If it is already removed, then you don't need to do this step.

Attach the now combined TV/Monitor and VESA attached setup with the wall arm by sliding the TV/Monitor/VESA setup from above onto the end of the wall arm. After, take the small screw and rotate it back on with the flat head screw driver (Not included) until securely fastened.

Once everything is attached, you can use a small padlock or lock (Not included) as illustrated to secure your monitor/tv from theft.

5 Cable Routing

5A: Identify the clips on the under belly of the product as illustrated. Take the cord/cable from your device and insert through the clips down towards the last before fishing the wire to the power source or wherever the final plug-in maybe.



6 Adjustability

6A: Rotate / Turn / Tilt / Angle your mount at various joints to find the optimum desired angle and orientation as required.

