

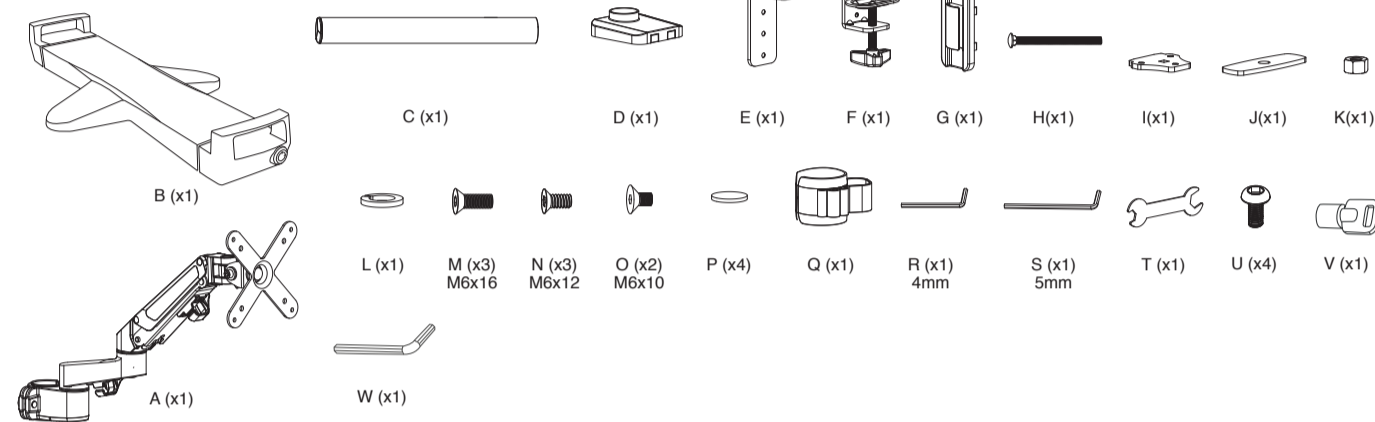


Counterbalance Monitor Arm w/ Universal Security Holder

PAD-DMCGHS

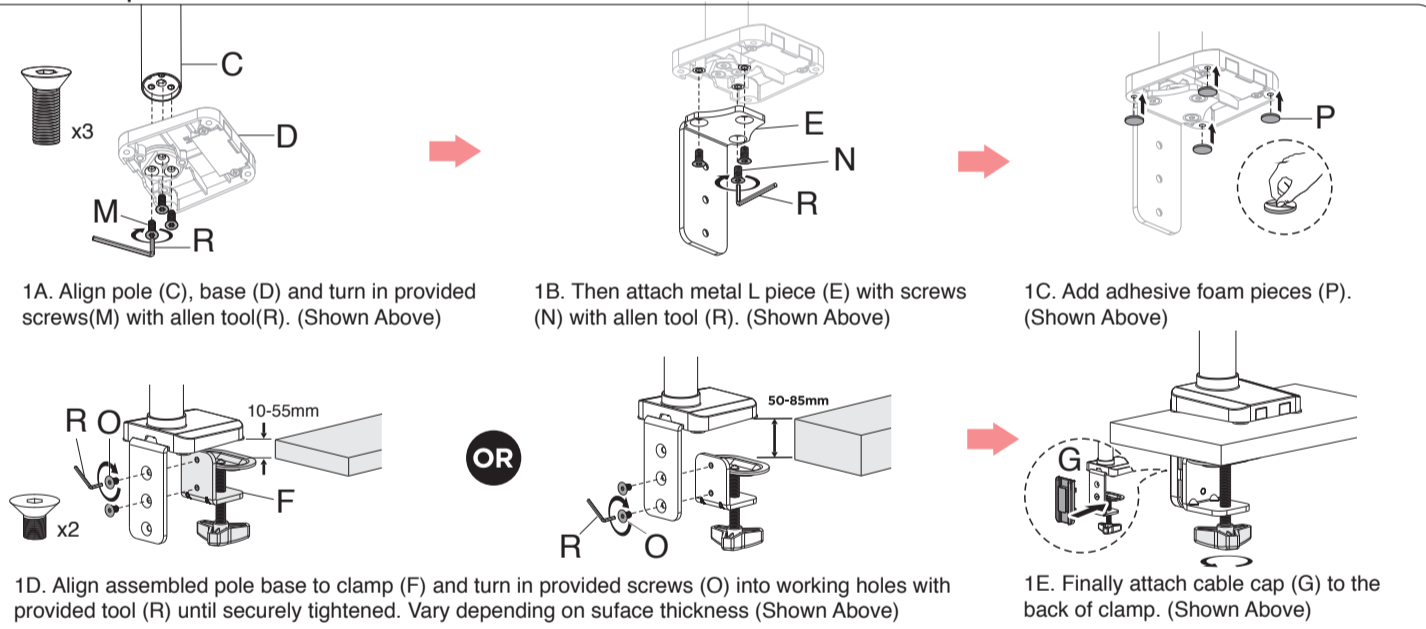
INSTRUCTION - MANUAL

CONTENTS:

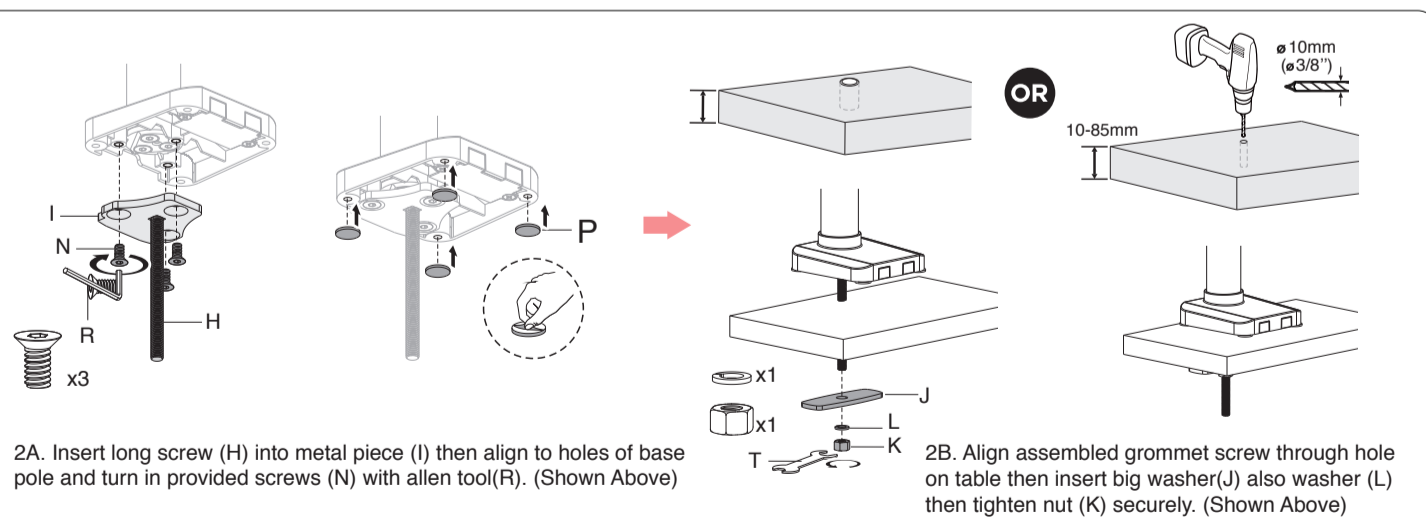


INSTALLATION:

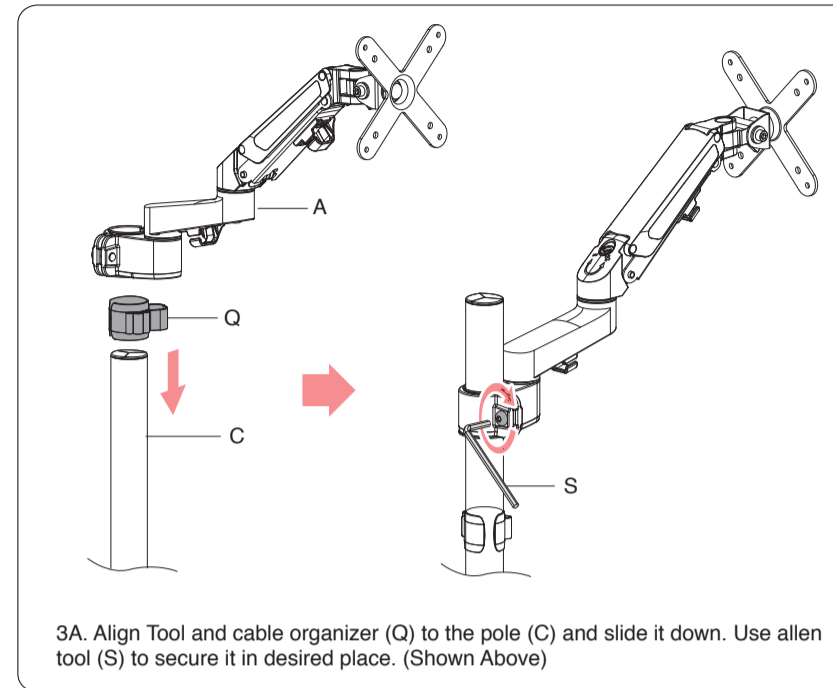
1. Clamp Mount Installation :



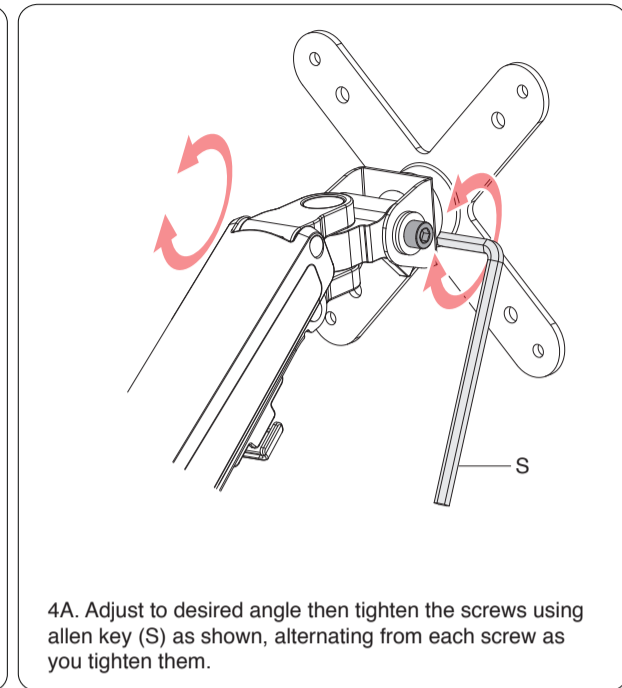
2. Grommet Mount Installation :



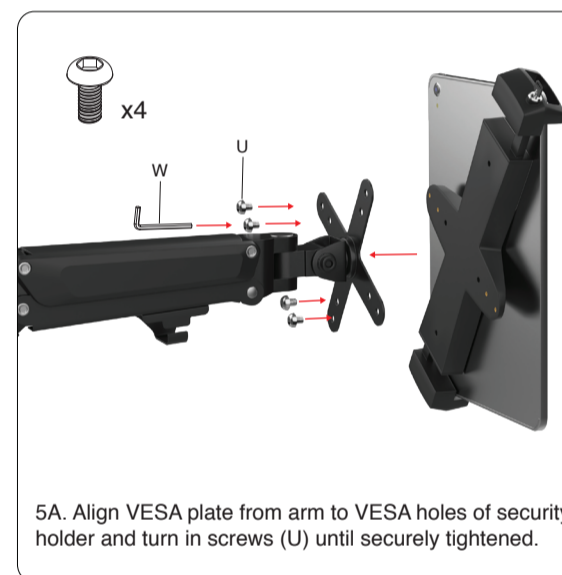
3. Mounting Arm to Pole :



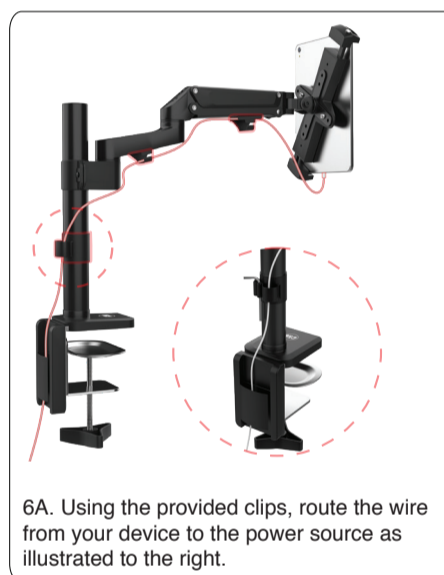
4. Tilt & Orientation Adjustability :



5. Connecting VESA Mount to Security Enclosure :



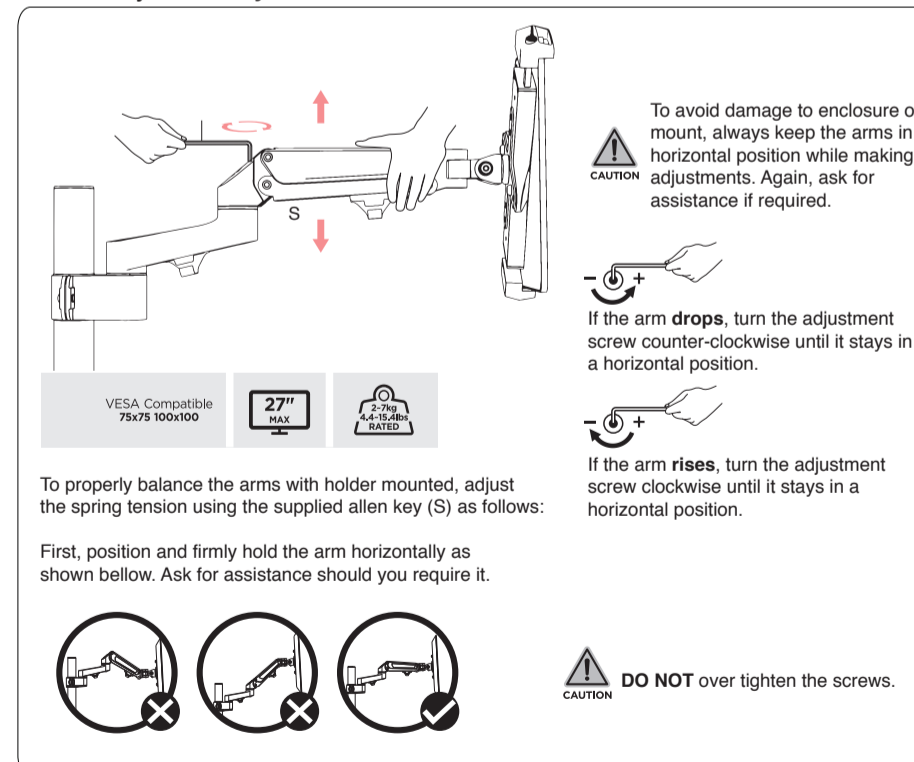
6. Cable Routing :



7. Security :



Arm Adjustability



Adjustable Angles

