



# Mini PC PN63-S1 Series

User Manual



**E21485**

**Revised Edition V2**

**November 2022**

## **COPYRIGHT INFORMATION**

No part of this manual, including the products and software described in it, may be reproduced, transmitted, transcribed, stored in a retrieval system, or translated into any language in any form or by any means, except documentation kept by the purchaser for backup purposes, without the express written permission of ASUSTeK COMPUTER INC. ("ASUS").

ASUS PROVIDES THIS MANUAL "AS IS" WITHOUT WARRANTY OF ANY KIND, EITHER EXPRESS OR IMPLIED, INCLUDING BUT NOT LIMITED TO THE IMPLIED WARRANTIES OR CONDITIONS OF MERCHANTABILITY OR FITNESS FOR A PARTICULAR PURPOSE. IN NO EVENT SHALL ASUS, ITS DIRECTORS, OFFICERS, EMPLOYEES OR AGENTS BE LIABLE FOR ANY INDIRECT, SPECIAL, INCIDENTAL, OR CONSEQUENTIAL DAMAGES (INCLUDING DAMAGES FOR LOSS OF PROFITS, LOSS OF BUSINESS, LOSS OF USE OR DATA, INTERRUPTION OF BUSINESS AND THE LIKE), EVEN IF ASUS HAS BEEN ADVISED OF THE POSSIBILITY OF SUCH DAMAGES ARISING FROM ANY DEFECT OR ERROR IN THIS MANUAL OR PRODUCT.

Products and corporate names appearing in this manual may or may not be registered trademarks or copyrights of their respective companies, and are used only for identification or explanation and to the owners' benefit, without intent to infringe.

SPECIFICATIONS AND INFORMATION CONTAINED IN THIS MANUAL ARE FURNISHED FOR INFORMATIONAL USE ONLY, AND ARE SUBJECT TO CHANGE AT ANY TIME WITHOUT NOTICE, AND SHOULD NOT BE CONSTRUED AS A COMMITMENT BY ASUS. ASUS ASSUMES NO RESPONSIBILITY OR LIABILITY FOR ANY ERRORS OR INACCURACIES THAT MAY APPEAR IN THIS MANUAL, INCLUDING THE PRODUCTS AND SOFTWARE DESCRIBED IN IT.

Copyright © 2022 ASUSTeK COMPUTER INC. All Rights Reserved.

## **LIMITATION OF LIABILITY**

Circumstances may arise where because of a default on ASUS' part or other liability, you are entitled to recover damages from ASUS. In each such instance, regardless of the basis on which you are entitled to claim damages from ASUS, ASUS is liable for no more than damages for bodily injury (including death) and damage to real property and tangible personal property; or any other actual and direct damages resulted from omission or failure of performing legal duties under this Warranty Statement, up to the listed contract price of each product.

ASUS will only be responsible for or indemnify you for loss, damages or claims based in contract, tort or infringement under this Warranty Statement.

This limit also applies to ASUS' suppliers and its reseller. It is the maximum for which ASUS, its suppliers, and your reseller are collectively responsible.

UNDER NO CIRCUMSTANCES IS ASUS LIABLE FOR ANY OF THE FOLLOWING: (1) THIRD-PARTY CLAIMS AGAINST YOU FOR DAMAGES; (2) LOSS OF, OR DAMAGE TO, YOUR RECORDS OR DATA; OR (3) SPECIAL, INCIDENTAL, OR INDIRECT DAMAGES OR FOR ANY ECONOMIC CONSEQUENTIAL DAMAGES (INCLUDING LOST PROFITS OR SAVINGS), EVEN IF ASUS, ITS SUPPLIERS OR YOUR RESELLER IS INFORMED OF THEIR POSSIBILITY.

## **SERVICE AND SUPPORT**

Visit our multi-language web site at <https://www.asus.com/support/>

# Contents

About this manual.....	5
Conventions used in this manual.....	6
Typography.....	6
Package contents .....	7

## Getting to know your Mini PC

Features.....	10
Front view.....	10
Rear view.....	14

## Using your Mini PC

Getting started .....	18
Connect the AC power adapter to your Mini PC.....	18
Connect a display panel to your Mini PC.....	20
Connect the USB cable from keyboard or mouse.....	23
Turn on your Mini PC.....	24
Turning off your Mini PC .....	25
Putting your Mini PC to sleep.....	25
Entering BIOS Setup .....	25
Load default BIOS settings.....	26

## Upgrading your Mini PC

Removing the bottom cover .....	29
Replacing the bottom cover.....	31
Installing memory modules.....	33
Installing a 2.5" HDD or SSD.....	34
Installing an M.2 SSD.....	36
Installing a wireless card.....	39

# Contents

## Appendix

Safety information.....	42
Setting up your system .....	43
Care during use.....	44
Regulatory notices .....	46
Service and Support .....	52

# About this manual

This manual provides information about the hardware and software features of your Mini PC, organized through the following chapters:

## **Chapter 1: Getting to know your Mini PC**

This chapter details the hardware components of your Mini PC.

## **Chapter 2: Using your Mini PC**

This chapter provides you with information on using your Mini PC.

## **Chapter 3: Upgrading your Mini PC**

This chapter provides you with information on how to upgrade the memory modules, wireless modules, and hard disk drive / solid state drive of your Mini PC.

## **Appendix**

This section includes notices and safety statements for your Mini PC.

## Conventions used in this manual

To highlight key information in this manual, some text are presented as follows:

---

**IMPORTANT!** This message contains vital information that must be followed to complete a task.

---

---

**NOTE:** This message contains additional information and tips that can help complete tasks.

---

---

**WARNING!** This message contains important information that must be followed to keep you safe while performing certain tasks and prevent damage to your Mini PC's data and components.

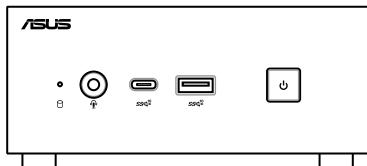
---

## Typography

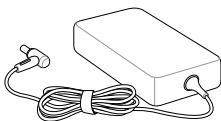
- |                  |   |
|------------------|---|
| <b>Bold text</b> | Indicates a menu or an item to select.                        |
| <i>Italic</i>    | This indicates sections that you can refer to in this manual. |

# Package contents

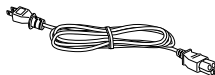
Your Mini PC package contains the following items:



ASUS Mini PC PN Series



AC power adapter\*



Power cord\*



Technical documentation

---

**NOTE:**

- \*The bundled power adapter may vary by model and territory.
  - Some bundled accessories may vary with different models. For details on these accessories, refer to their respective user manuals.
  - The device illustration is for reference only. Actual product specifications may vary depending on model.
  - If the device or its components fail or malfunction during normal and proper use within the warranty period, bring the warranty card to the ASUS Service Center for replacement of the defective components.
-

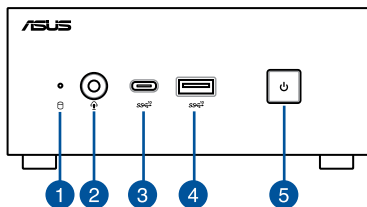


# 1

***Getting to know your Mini PC***

# Features

## Front view



1



### Drive activity indicator

This indicator lights up when your Mini PC is accessing the internal storage drive.

2



### Headphone/Headset/Microphone jack (optional)

This port allows you to connect amplified speakers or headphones. You can also use this port to connect your headset or an external microphone.

3



### USB 3.2 Gen 2 Type-C® port

This USB 3.2 Gen 2 Type-C® port provides the following:

- Transfer rate of up to 10 Gbit/s for USB 3.2 Gen 2 devices.
- Backward compatible to USB 2.0.
- USB power delivery with a maximum of 5V / 3A output.

4



#### **USB 3.2 Gen 2 port**

The USB 3.2 Gen 2 (Universal Serial Bus) port provides a transfer rate up to 10 Gbit/s.

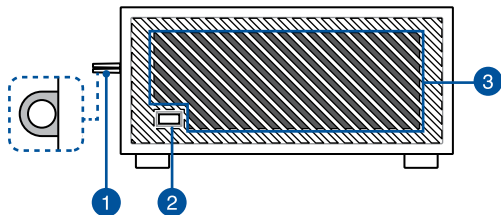
5



#### **Power button**

The power button allows you to turn the Mini PC on or off. You can use the power button to put your Mini PC to sleep mode or press it for four (4) seconds to force shutdown your Mini PC.

## Left view



1

### Padlock ring

This ring allows you to attach a standard padlock to prevent unauthorized disassembly of your Mini PC.

---

**NOTE:** The padlock is purchased separately.

---

2

### Kensington security slot

The Kensington security slot allows you to secure your Mini PC using Kensington® security products.

3

### Air vents (intake vent)

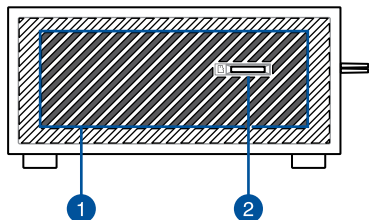
The air vents allow cooler air to enter your Mini PC chassis.

---

**IMPORTANT:** For an optimum heat dissipation and air ventilation, ensure that the air vents are free from obstructions.

---

## Right view



1

### Air vents (intake vent)

The air vents allow cooler air to enter your Mini PC chassis.

---

**IMPORTANT:** For an optimum heat dissipation and air ventilation, ensure that the air vents are free from obstructions.

---

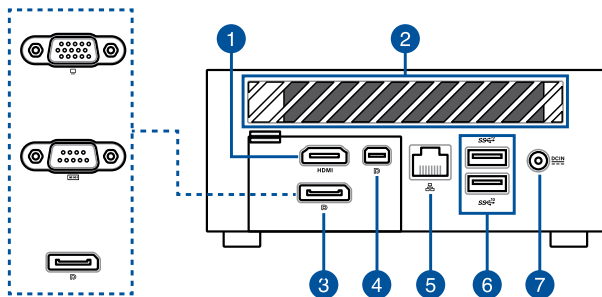
2



### Memory card slot (optional)

The built-in memory card reader enables your Mini PC to read and write data to and from Micro SD cards.

## Rear view



### 1 HDMI HDMI™ port

The HDMI™ (High Definition Multimedia Interface) port supports a Full-HD device such as an LCD TV or monitor to allow viewing on a larger external display.

---

**NOTE:** When using only this port as a display output source, this port will support a resolution of up to 4096 x 2304 @60Hz. The resolution may also be affected by the cabling and output device.

---

### 2 Air vents (exhaust vent)

The air vents allow your Mini PC chassis to expel hot air out.

---

**IMPORTANT:** For an optimum heat dissipation and air ventilation, ensure that the air vents are free from obstructions.

---

## Configurable port

This port varies between models and consists of the following port options:

---

**NOTE:** This port may vary depending on model.

---



### VGA port

This port allows you to connect your Mini PC to an external display.

---

**NOTE:** When using only this port as a display output source, this port will support a resolution of up to 1920 x 1200 @60Hz. The resolution may also be affected by the cabling and output device.

---



### Serial (COM) connector

The 9-pin serial (COM) connector allows you to connect devices that have serial ports, such as mouse, modem, and printers.



### DisplayPort

This port allows you to connect your Mini PC to an external display.

---

**NOTE:** When using only this port as a display output source, this port will support a resolution of up to 5120 x 2880 @60Hz. The resolution may also be affected by the cabling and output device.

---

4



### Mini DisplayPort

This port allows you to connect your Mini PC to an external display.

---

**NOTE:** When using only this port as a display output source, this port will support a resolution of up to 4096 x 2304 @60Hz. The resolution may also be affected by the cabling and output device.

---

5



### LAN port

The 8-pin RJ-45 LAN port supports a standard Ethernet cable for connection to a local network.

6



### USB 3.2 Gen 2 port

The USB 3.2 Gen 2 (Universal Serial Bus) port provides a transfer rate up to 10 Gbit/s.

7



### Power input

The supplied power adapter converts AC power to DC power for use with this jack. Power supplied through this jack supplies power to the Mini PC. To prevent damage to the Mini PC, always use the supplied power adapter.

---

**WARNING!** The power adapter may become warm to hot when in use. Do not cover the adapter and keep it away from your body.

---



# 2

## ***Using your Mini PC***

# Getting started

## Connect the AC power adapter to your Mini PC

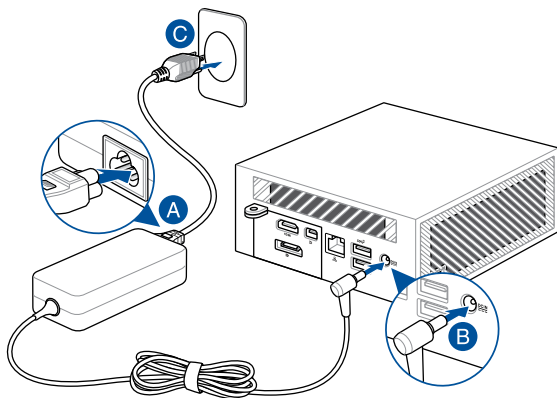
To connect the AC power adapter to your Mini PC:

- A. Connect the power cord to the AC power adapter.
- B. Connect the DC power connector into your Mini PC's power (DC) input.
- C. Plug the AC power adapter into a 100V~240V power source.

---

**NOTE:** The power adapter may vary in appearance, depending on models and your region.

---



---

**NOTE:**

Please refer to the following for more information on the adapter:

90W Power adapter

- Input voltage: 100-240 Vac
  - Input frequency: 50-60 Hz
  - Rating output current: 4.62A (90.0W)
  - Rating output voltage: 19.5V
-

## Connect a display panel to your Mini PC

You can connect a display panel or projector to your Mini PC that has the following port:

- HDMI™ port
- Mini DisplayPort
- VGA port
- DisplayPort

---

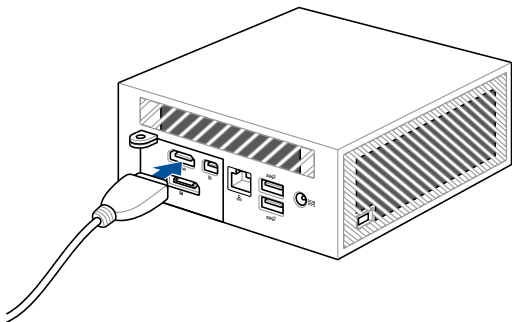
**NOTE:** These ports may vary depending on the model.

---

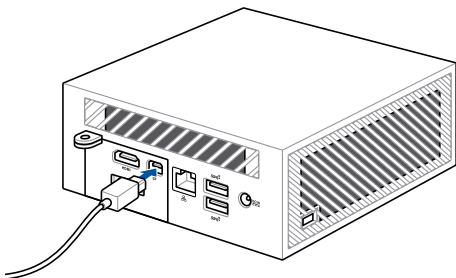
### To connect a display panel to your Mini PC:

Connect one end of an HDMI™, Mini DisplayPort, VGA, or DisplayPort cable to an external display, and the other end of the cable to your Mini PC's HDMI™ port, Mini DisplayPort, VGA port, or DisplayPort.

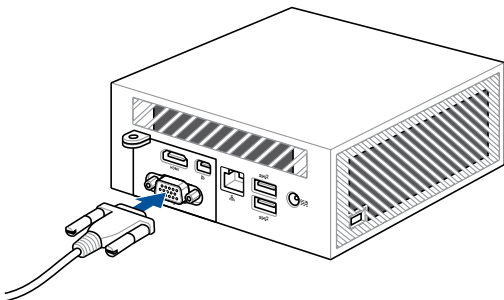
Connect display via HDMI™ port



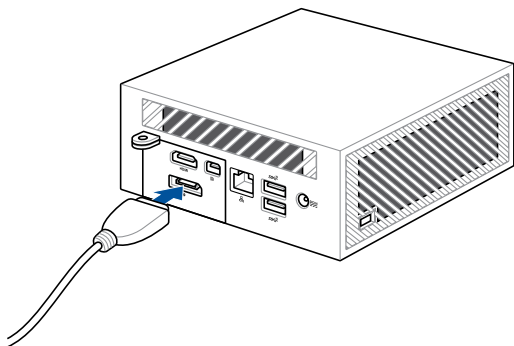
Connect display via Mini DisplayPort



Connect display via VGA port



Connect display via DisplayPort



## Connect the USB cable from keyboard or mouse

You can connect generally any USB keyboard and mouse to your Mini PC. You can also connect a USB dongle for a wireless keyboard and mouse set.

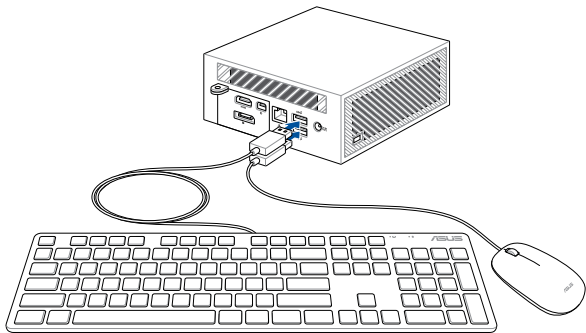
### To connect a keyboard and mouse to your Mini PC:

Connect the USB cable from your keyboard and mouse to any of the USB ports of your Mini PC.

---

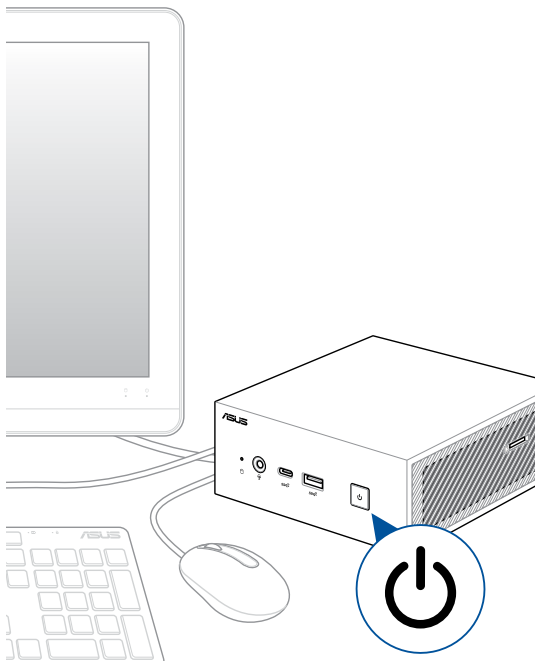
**NOTE:** The keyboard varies with country and/or region.

---



## Turn on your Mini PC

Press the power button to turn on your Mini PC.





## Turning off your Mini PC

If your Mini PC is unresponsive, press and hold the power button for at least four (4) seconds until your Mini PC turns off.

## Putting your Mini PC to sleep

To put your Mini PC in Sleep mode, press the power button once.

## Entering BIOS Setup

BIOS (Basic Input and Output System) stores system hardware settings that are needed for system startup on the Mini PC.

Under normal circumstances, the default BIOS settings apply to most conditions to ensure optimal performance. Do not change the default BIOS settings except in the following circumstances:

- An error message appears on the screen during the system bootup and requests you to run BIOS Setup.
- You have installed a new system component that requires further BIOS settings or update.

---

**WARNING!** Inappropriate BIOS settings may result in instability or boot failure. We strongly recommend that you change the BIOS settings only with the help of a trained service personnel.

---

## Load default BIOS settings

To load the default values for each of the parameters in your BIOS:

- Enter the BIOS by pressing <F2> or <DEL> from the POST screen.

---

**NOTE:** POST (Power-On Self Test) is a series of software controlled diagnostic tests that run when you turn on your Mini PC.

---

- Navigate to the **Exit** menu.
- Select the **Load Optimized Defaults** option or press <F5>.
- Select **OK** to load the default BIOS values.

3

***Upgrading your Mini PC***

---

**IMPORTANT!**

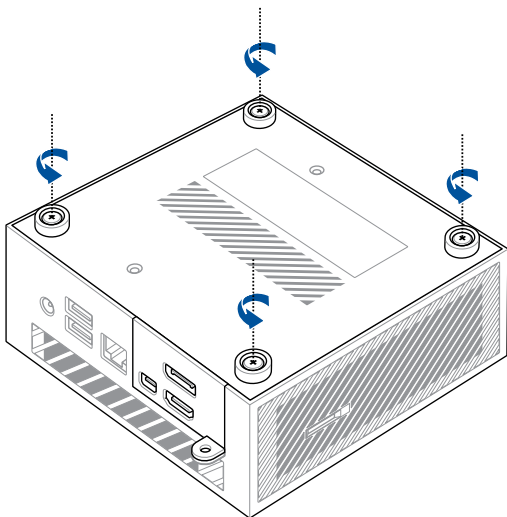
- It is recommended that you install or upgrade the memory modules, wireless card, and solid state drive (SSD) under professional supervision. Visit an ASUS service center for further assistance.
  - Ensure that your hands are dry before proceeding with the rest of the installation process. Before installing any of the features in this guide, use a grounded wrist strap or touch a safely grounded object or metal object to avoid damaging them due to static electricity.
- 

**NOTE:** The illustrations in this section are for reference only. The slots may vary depending on model.

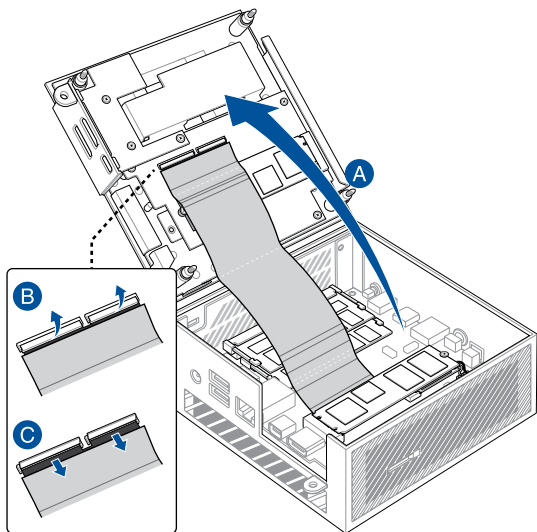
---

## Removing the bottom cover

1. Turn off your Mini PC then disconnect all cables and peripherals.
2. Place the Mini PC on a flat stable surface with its top side facing down.
3. Completely loosen the four (4) screws from the bottom cover.



4. Gently lift the bottom cover in the direction shown in the illustration (A), then flip the connector flaps open (B) and remove the cable (C).



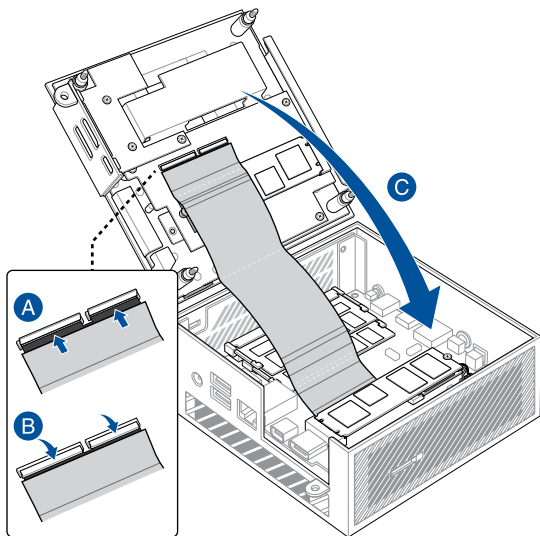
## Replacing the bottom cover

1. Insert the cable into the connectors (A), then close the flaps to secure the cables (B). Close the bottom cover (C).

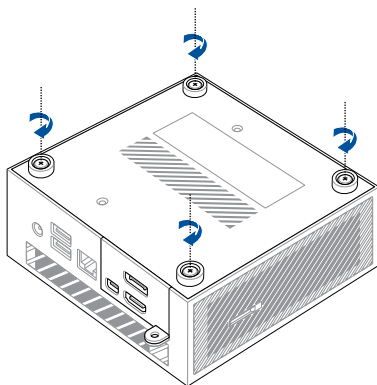
---

**IMPORTANT!** Ensure the golden fingers on the cable are facing the connectors.

---



2. Tighten the four (4) screws on the bottom cover to secure it in place.





## Installing memory modules

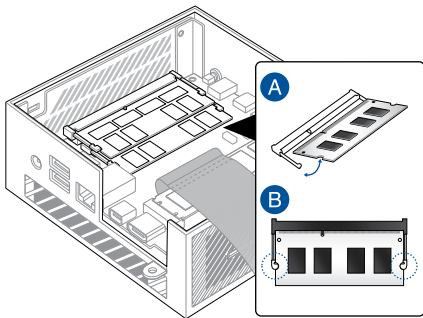
Your Mini PC comes with two SO-DIMM memory slots that allow you to install two DDR4 SO-DIMMs.

---

**IMPORTANT!** Refer to <http://www.asus.com> for a list of compatible DIMMs. You can only install DDR4 SO-DIMMs to the Mini PC's DIMM slots.

---

Align and insert the memory module into the slot (A) and press down (B) until it is securely seated in place. Repeat the same steps to install the other memory module.



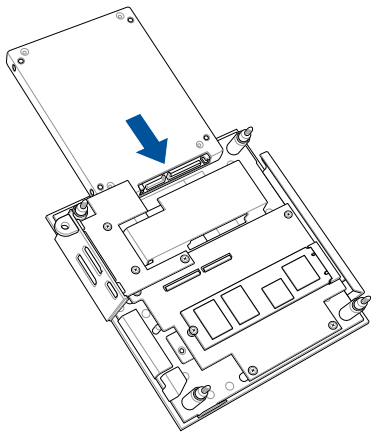
## Installing a 2.5" HDD or SSD

1. Prepare your 2.5" HDD or SSD, then align it with the storage bay on the bottom cover of your Mini PC.
2. Insert your HDD or SSD into the storage bay.

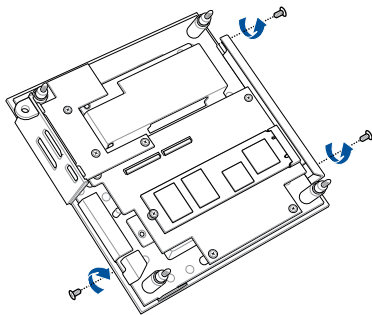
---

**IMPORTANT!** This device only supports 7mm 2.5" HDD or SSD.

---



- Secure the HDD or SSD with three (3) screws.



# Installing an M.2 SSD

Your Mini PC comes with two M.2 slots; one in the chassis and another on the bottom cover.

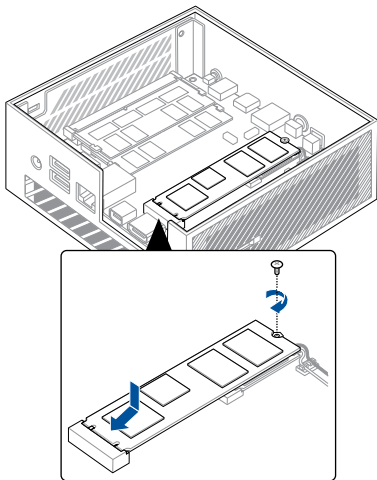
## To install an M.2 SSD into the chassis

1. Align and insert the 2280 M.2 SSD into its slot inside the Mini PC.
2. Gently push down the 2280 M.2 SSD on top of the screw hole and fasten it using one of the bundled 3mm round screws.

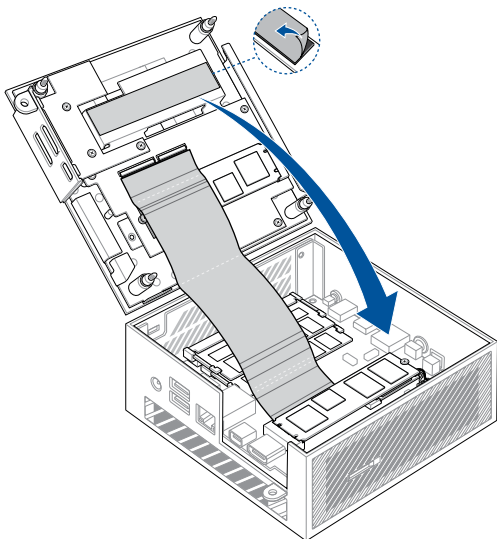
---

**NOTE:** If you wish to install a Gen 4 SSD, ensure to install it to the M.2 slot in the chassis.

---

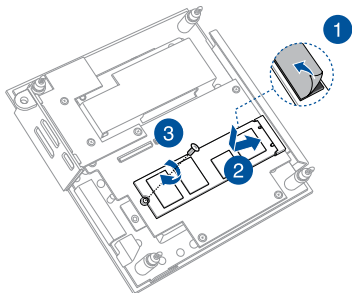


3. Before replacing the bottom cover, ensure to remove the plastic film on the thermal pad.



## To install an M.2 SSD to the bottom cover

1. Remove the plastic film from the thermal pad.
2. Align and insert the 2280 M.2 SSD into its slot on the bottom cover.
3. Gently push down the 2280 M.2 SSD on top of the screw hole and fasten it using one of the bundled 3mm round screws.



# Installing a wireless card

---

**NOTE:** Your Mini PC includes an M.2 slot for 2230 wireless and Bluetooth modules. Refer to <http://www.asus.com> for a list of compatible wireless and Bluetooth modules.

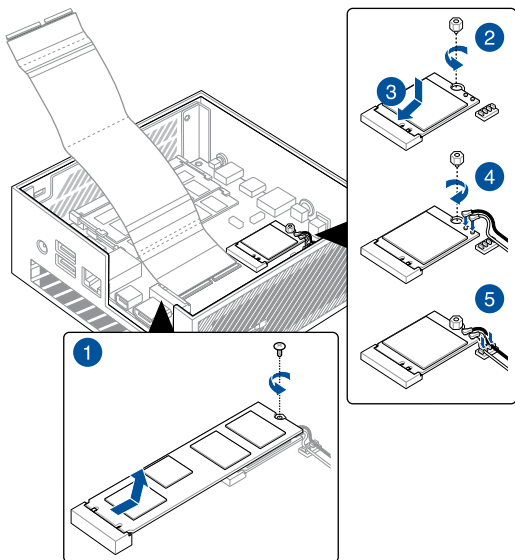
---

1. (optional) Remove the M.2 SSD if an M.2 SSD is installed. To remove the M.2 SSD, remove the screw from the screw hole, then remove the M.2 SSD.
2. Remove the M.2 stand screw.
3. Align and insert the wireless card into its slot inside the Mini PC, then gently push down the wireless card on top of the screw hole and fasten it using the previously removed stand screw.
4. (optional) Connect the antennas to your wireless card.
5. (optional) Organize your antenna cables with the cable holder clips.

---

**NOTE:**

- Connecting antennas to your wireless card may strengthen the wireless signal.
  - A soft clicking sound indicates that the antenna has been securely attached to the wireless card.
-





# ***Appendix***

## Safety information

Your Mini PC is designed and tested to meet the latest standards of safety for information technology equipment. However, to ensure your safety, it is important that you read the following safety instructions.



### WARNING

#### KEEP OUT OF REACH OF CHILDREN

Swallowing can lead to chemical burns, perforation of soft tissue, and death. Severe burns can occur within 2 hours of ingestion. Seek medical attention immediately.



**IMPORTANT!** If you suspect your child has swallowed or inserted a button battery, call the Poisons Information Center immediately. For Australia, call 13 11 26 for 24/7 fast, expert advice. If your child is having difficulty breathing, contact 000.



- Do not ingest battery, Chemical Burn Hazard.
- This product contains a coin / button cell battery. If the coin / button cell battery is swallowed, it can cause severe internal burns in just 2 hours and can lead to death.
- Keep new and used batteries away from children.
- If the battery compartment does not close securely, stop using the product and keep it away from children.
- If you think batteries might have been swallowed or placed inside any part of the body, seek immediate medical attention.

## Lithium-Ion Battery Warning

**CAUTION:** Danger of explosion if battery is incorrectly replaced. Replace only with the same or equivalent type recommended by the manufacturer. Dispose of used batteries according to the manufacturer's instructions.

## NO DISASSEMBLY

**The warranty does not apply to the products that have been disassembled by users**

### Setting up your system

- Read and follow all instructions in the documentation before you operate your system.
- Do not use this product near water or a heated source.
- Set up the system on a stable surface.
- Openings on the chassis are for ventilation. Do not block or cover these openings. Make sure you leave plenty of space around the system for ventilation. Never insert objects of any kind into the ventilation openings.
- Use this product in environments with ambient temperatures between 0°C and 35°C.
- If you use an extension cord, make sure that the total ampere rating of the devices plugged into the extension cord does not exceed its ampere rating.
- This product should be connected by means of a power cord to a socket-outlet with earthing connection.
- This equipment should be installed and operated with a minimum distance of 20cm between the radiator and your body.

## Care during use

- Do not walk on the power cord or allow anything to rest on it.
- Do not spill water or any other liquids on your system.
- When the system is turned off, a small amount of electrical current still flows. Always unplug the power cord from the power outlets before cleaning the system.
- If you encounter the following technical problems with the product, unplug the power cord and contact a qualified service technician or your retailer.
  - The power cord or plug is damaged.
  - Liquid has been spilled into the system.
  - The system does not function properly even if you follow the operating instructions.
  - The system was dropped or the cabinet is damaged.
  - The system performance changes.
- Avoid contact with hot components inside the Mini PC. During operation, some components become hot enough to burn the skin. Before you open the computer cover, turn off the computer, disconnect the power, and wait approximately 30 minutes for the components to cool.
- Disposal of a battery into fire or a hot oven, or mechanically crushing or cutting of a battery, that can result in an explosion;
- Leaving a battery in an extremely high temperature surrounding environment that can result in an explosion or the leakage of flammable liquid or gas;
- A battery subjected to extremely low air pressure that may result in an explosion or the leakage of flammable liquid or gas.

## Safety Precautions

Accessories that came with this product have been designed and verified for the use in connection with this product. Never use accessories for other products to prevent the risk of electric shock or fire.

## 安全上のご注意

付属品は当該専用品です。他の機器には使用しないでください。機器の破損もしくは、火災や感電の原因となることがあります。

# Regulatory notices

## COATING NOTICE

---

**IMPORTANT!** To provide electrical insulation and maintain electrical safety, a coating is applied to insulate the device except on the areas where the I/O ports are located.

---

## Federal Communications Commission Statement

This device complies with Part 15 of the FCC Rules. Operation is subject to the following two conditions:

- This device may not cause harmful interference, and
- This device must accept any interference received including interference that may cause undesired operation.

This equipment has been tested and found to comply with the limits for a Class B digital device, pursuant to Part 15 of the FCC Rules. These limits are designed to provide reasonable protection against harmful interference in a residential installation.

This equipment generates, uses and can radiate radio frequency energy and, if not installed and used in accordance with manufacturer's instructions, may cause harmful interference to radio communications. However, there is no guarantee that interference will not occur in a particular installation. If this equipment does cause harmful interference to radio or television reception, which can be determined by turning the equipment off and on, the user is encouraged to try to correct the interference by one or more of the following measures:

- Reorient or relocate the receiving antenna.
- Increase the separation between the equipment and receiver.
- Connect the equipment to an outlet on a circuit different from that to which the receiver is connected.
- Consult the dealer or an experienced radio/TV technician for help.

---

**IMPORTANT!** Outdoor operations in the 5.15~5.25 GHz band is prohibited. This device has no Ad-hoc capability for 5250~5350 and 5470~5725 MHz.

---

**CAUTION!** Any changes or modifications not expressly approved by the grantee of this device could void the user's authority to operate the equipment.

---

## RF exposure warning

This equipment must be installed and operated in accordance with provided instructions and the antenna(s) used for this transmitter must be installed to provide a separation distance of at least 20 cm from all persons and must not be co-located or operating in conjunction with any other antenna or transmitter. End-users and installers must be provide with antenna installation instructions and transmitter operating conditions for satisfying RF exposure compliance.

## ISED Radiation Exposure Statement for Canada

This equipment complies with ISED radiation exposure limits set forth for an uncontrolled environment. To maintain compliance with ISED RF exposure compliance requirements, please avoid direct contact to the transmitting antenna during transmitting. End users must follow the specific operating instructions for satisfying RF exposure compliance.

Operation is subject to the following two conditions:

- This device may not cause interference and
- This device must accept any interference, including interference that may cause undesired operation of the device.

## HDMI Trademark Notice

The terms HDMI, HDMI High-Definition Multimedia Interface, and the HDMI Logo are trademarks or registered trademarks of HDMI Licensing Administrator, Inc.

## Compliance Statement of Innovation, Science and Economic Development Canada (ISED)

This device complies with Innovation, Science and Economic Development Canada licence exempt RSS standard(s). Operation is subject to the following two conditions: (1) this device may not cause interference, and (2) this device must accept any interference, including interference that may cause undesired operation of the device.

CAN ICES-003(B)/NMB-003(B)

## Déclaration de conformité de Innovation, Sciences et Développement économique Canada (ISED)

Le présent appareil est conforme aux CNR d'Innovation, Sciences et Développement économique Canada applicables aux appareils radio exempts de licence. L'exploitation est autorisée aux deux conditions suivantes : (1) l'appareil ne doit pas produire de brouillage, et (2) l'utilisateur de l'appareil doit accepter tout brouillage radioélectrique subi, même si le brouillage est susceptible d'en compromettre le fonctionnement.

CAN ICES-003(B)/NMB-003(B)

## Wireless Operation Channel for Different Domains

N. America	2.412-2.462 GHz	Ch01 through CH11
Japan	2.412-2.484 GHz	Ch01 through Ch14
Europe ETSI	2.412-2.472 GHz	Ch01 through Ch13



## Declaration of compliance for product environmental regulation

ASUS follows the green design concept to design and manufacture our products, and makes sure that each stage of the product life cycle of ASUS product is in line with global environmental regulations. In addition, ASUS disclose the relevant information based on regulation requirements.

Please refer to <http://csr.asus.com/Compliance.htm> for information disclosure based on regulation requirements ASUS is complied with:

### EU REACH and Article 33

Complying with the REACH (Registration, Evaluation, Authorization, and Restriction of Chemicals) regulatory framework, we publish the chemical substances in our products at ASUS REACH website at

<http://csr.asus.com/english/REACH.htm>

### EU RoHS

This product complies with the EU RoHS Directive. For more details, see

<http://csr.asus.com/english/article.aspx?id=35>

### Japan JIS-C-0950 Material Declarations

Information on Japan RoHS (JIS-C-0950) chemical disclosures is available on

<http://csr.asus.com/english/article.aspx?id=19>

### India RoHS

This product complies with the “India E-Waste (Management) Rules, 2016” and prohibits use of lead, mercury, hexavalent chromium, polybrominated biphenyls (PBBs) and polybrominated diphenyl ethers (PBDEs) in concentrations exceeding 0.1% by weight in homogenous materials and 0.01% by weight in homogenous materials for cadmium, except for the exemptions listed in Schedule II of the Rule.

### Vietnam RoHS

ASUS products sold in Vietnam, on or after September 23, 2011, meet the requirements of the Vietnam Circular 30/2011/TT-BCT.

Các sản phẩm ASUS bán tại Việt Nam, vào ngày 23 tháng 9 năm 2011 trở về sau, đều phải đáp ứng các yêu cầu của Thông tư 30/2011/TT-BCT của Việt Nam.

## Türkiye RoHS

AEEE Yönetmeliğine Uygundur

## ASUS Recycling/Takeback Services

ASUS recycling and takeback programs come from our commitment to the highest standards for protecting our environment. We believe in providing solutions for you to be able to responsibly recycle our products, batteries, other components as well as the packaging materials. Please go to <http://csr.asus.com/english/Takeback.htm> for detailed recycling information in different regions.

## Ecodesign Directive

European Union announced a framework for the setting of ecodesign requirements for energy-related products (2009/125/EC). Specific Implementing Measures are aimed at improving environmental performance of specific products or across multiple product types. ASUS provides product information on the CSR website. The further information could be found at <https://csr.asus.com/english/article.aspx?id=1555>.



---

**DO NOT** throw the device in municipal waste. This product has been designed to enable proper reuse of parts and recycling. This symbol of the crossed out wheeled bin indicates that the product (electrical, electronic equipment, and mercury-containing button cell battery) should not be placed in municipal waste. Check local technical support services for product recycling.

---

## ENERGY STAR complied product

ENERGY STAR is a joint program of the U.S. Environmental Protection Agency and the U.S. Department of Energy helping us all save money and protect the environment through energy efficient products and practices.



All ASUS products with the ENERGY STAR logo comply with the ENERGY STAR standard, and the power management feature is enabled by default. The monitor and computer are automatically set to sleep after 10 and 30 minutes of user inactivity. To wake your computer, click the mouse or press any

key on the keyboard.

Please visit <http://www.energystar.gov/powermanagement> for detail information on power management and its benefits to the environment. In addition, please visit <http://www.energystar.gov> for detail information on the ENERGY STAR joint program.

---

**NOTE:** Energy Star is NOT supported on FreeDOS and Linux-based products.

---

## EPEAT (Electronic Product Environmental Assessment Tool) registered products

The public disclosure of key environmental information for ASUS EPEAT registered products is available on CSR web site <http://csr.asus.com/english/article.aspx?id=41>. More information about EPEAT program and purchaser guidance can be found on the EPEAT website [www.epeat.net](http://www.epeat.net).

## Service and Support

Visit our multi-language website at <https://www.asus.com/support/>.

