

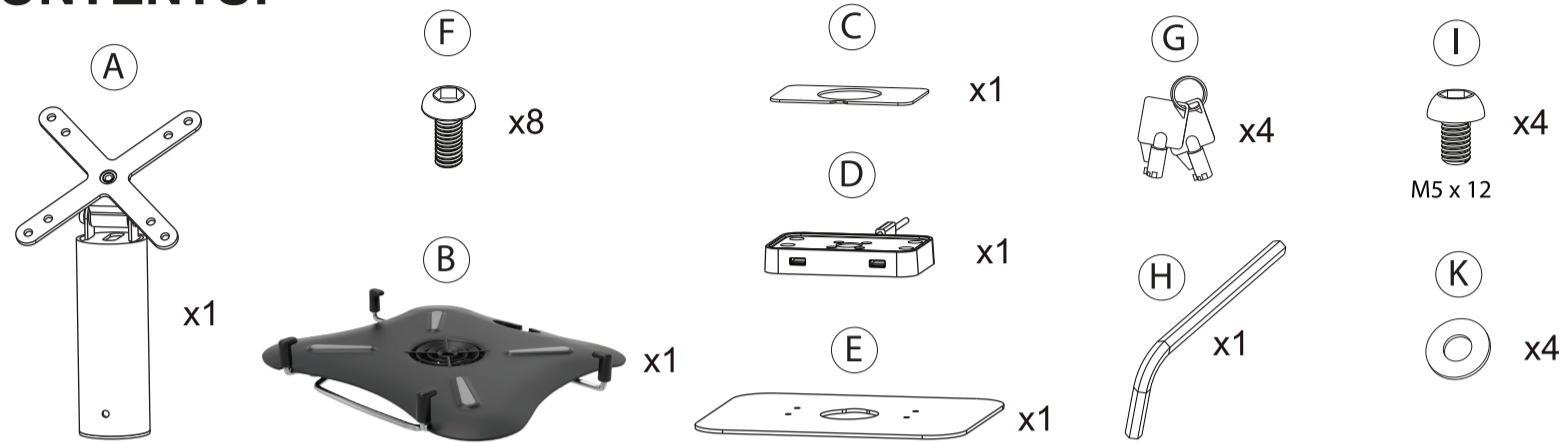


Laptop Desk Mount with USB Ports and Built-in Cooling Fan

LT-USBPOSB

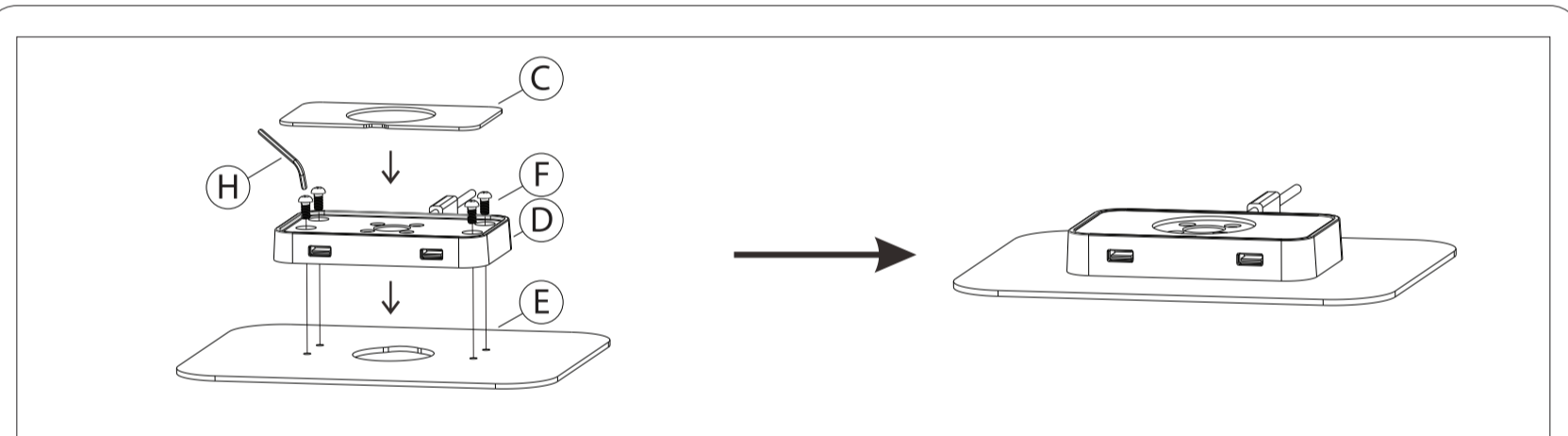
INSTALLATION - MANUAL

CONTENTS:



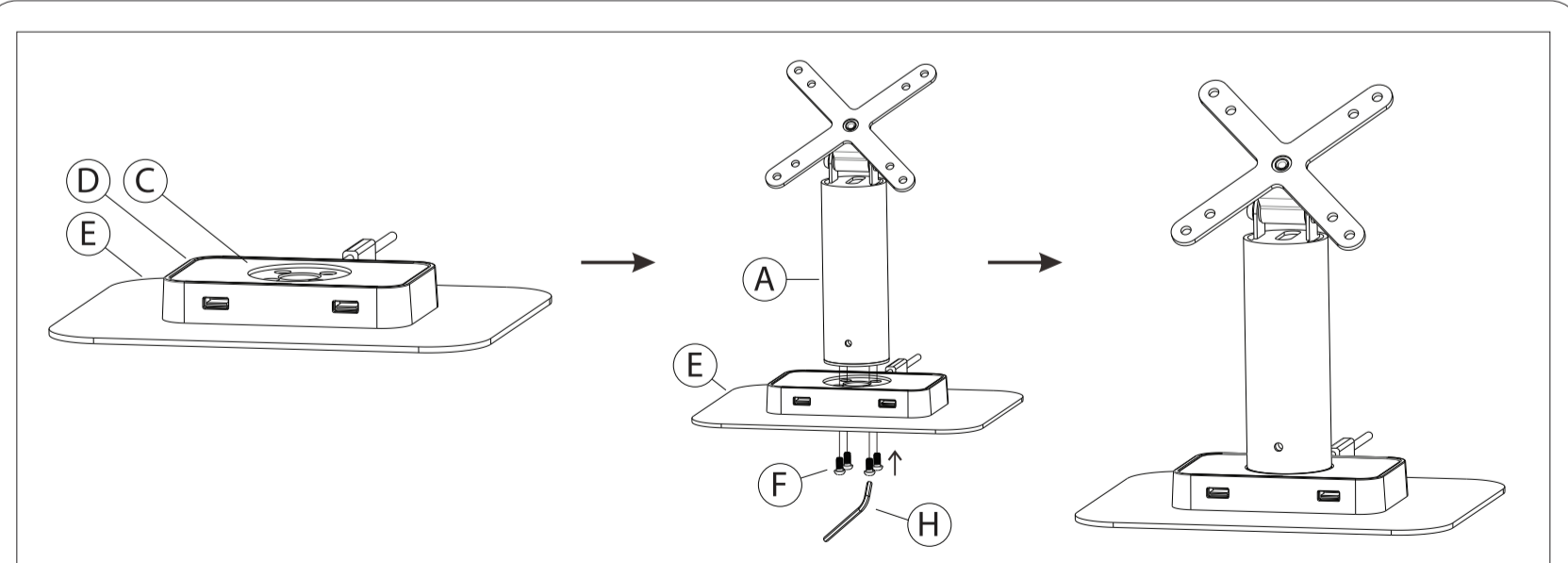
INSTALLATION:

1. Installing Desk Mount Base Platform Components



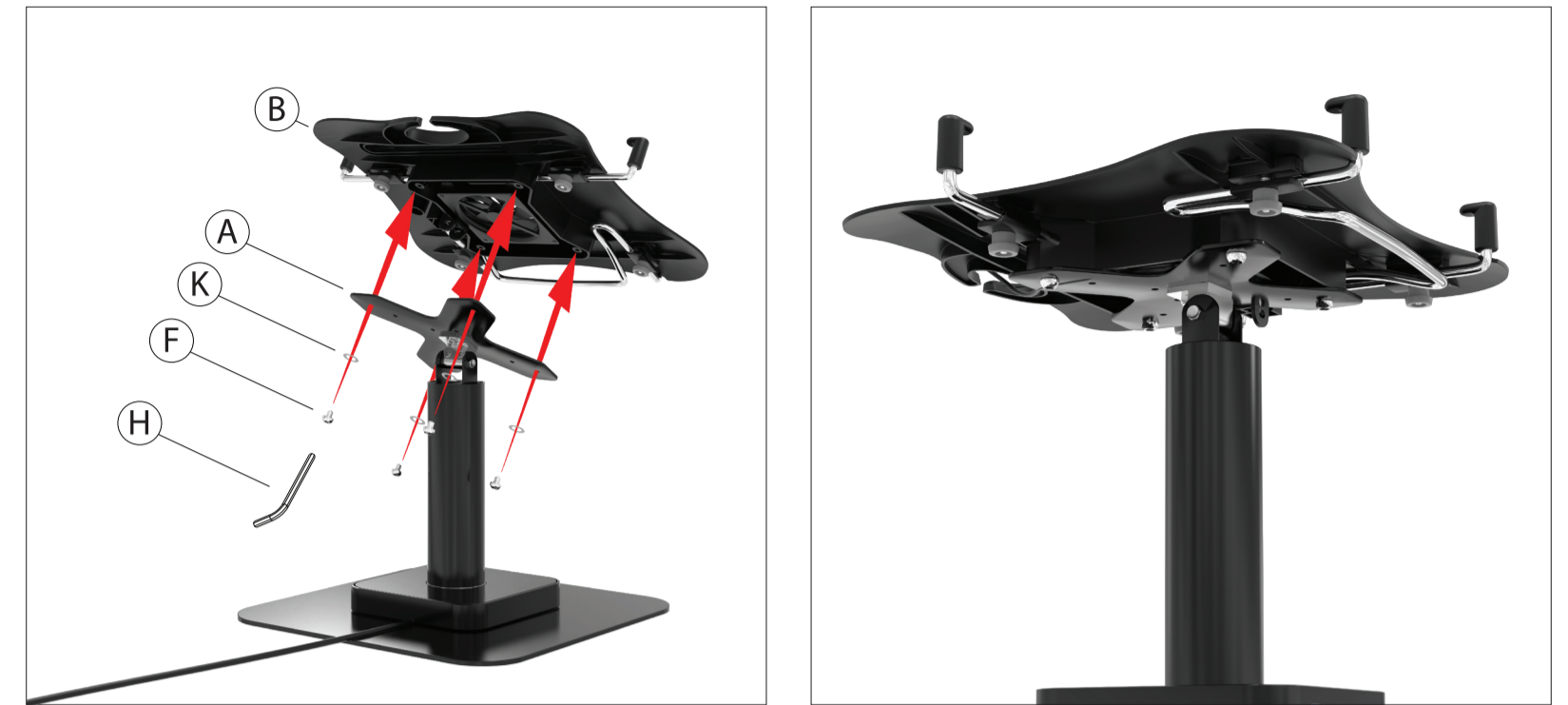
1A. Screw in USB platform (D) to the base (E) tightly using the screws (F) with tool (H), and place the top cover (C) as shown above.

2. Installing Desk Mount Main Body



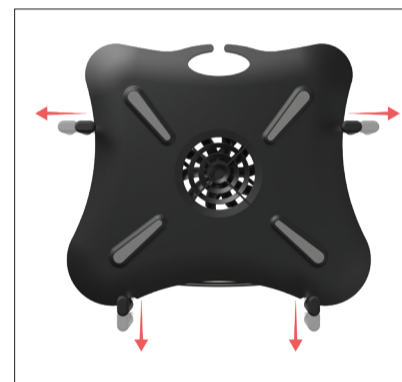
2A. Screw in the main kiosk body (A) to the assembled platform (C, D, E) with screws (F) from below using the provided allen tool (H) until securely tightened.

3. Mounting Laptop Holder to VESA Plate



3A. Install laptop holder (B) to VESA Base (A) by rotating in the provided screws (F) with washers (K) with the included allen key tool (H) as illustrated above.

4. How to Setup your Holder



4A. Extend the holder brackets.

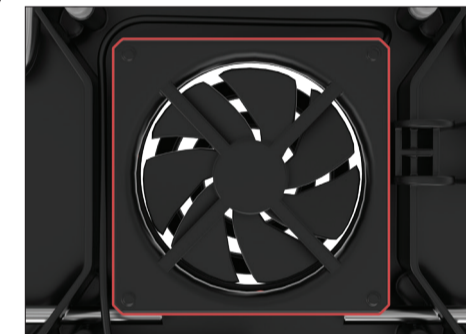


4B. Adjust the holder to your laptop by sliding the brackets towards it.

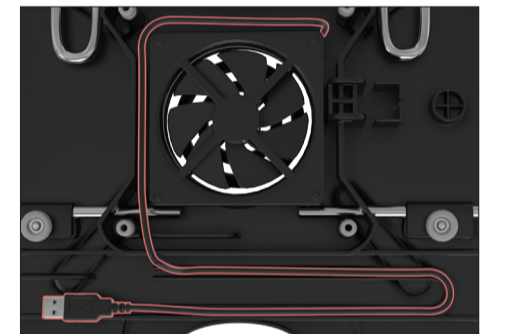


4C. Once laptop is securely in place, tighten four knobs as shown until securely fastened.

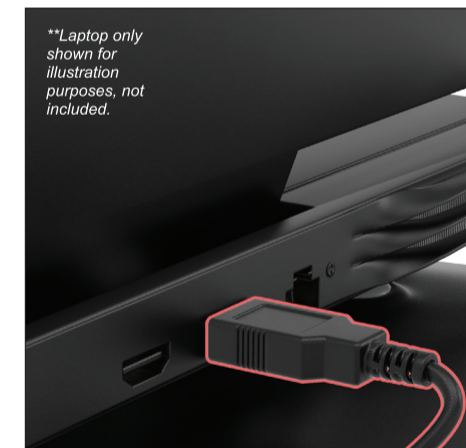
5. Powering Up Cooling Fan



5A. Locate the fan.

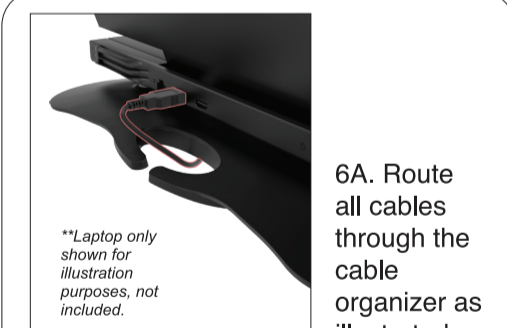


5B. Find the integral USB cable below.

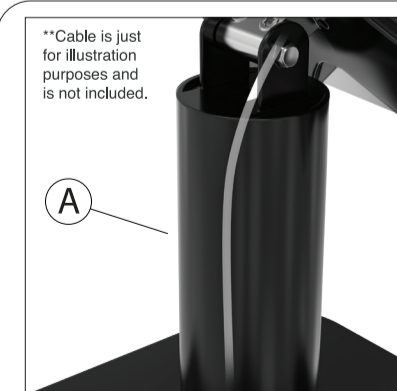


5C. Plug into your laptop to power the fan.

6. Cable Management



6A. Route all cables through the cable organizer as illustrated.



Cable Management

Fish the cable wire through the top end of the kiosk body and out of the other end at the bottom of the base.