

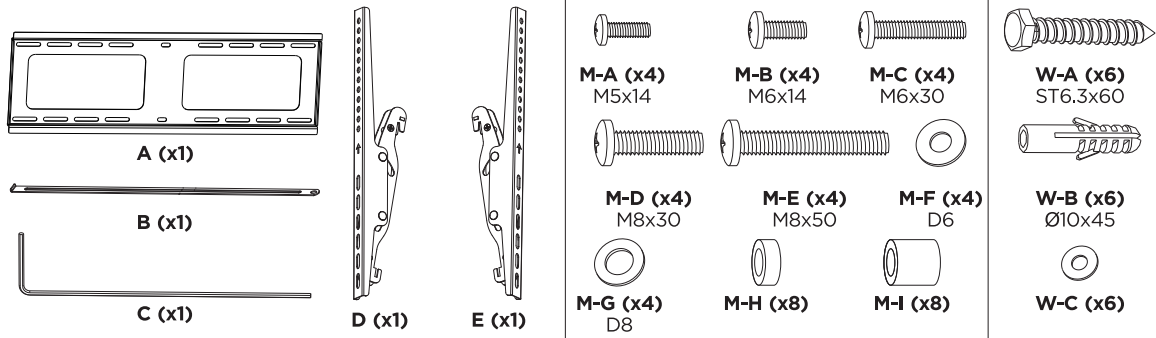


Anti-Theft Weatherproof Tilt TV Wall Mount

TV-WPTTM

INSTRUCTION - MANUAL

CONTENTS:



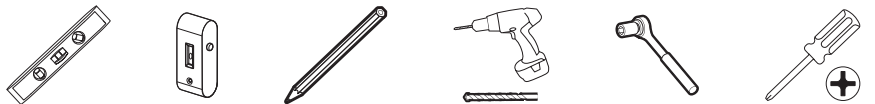
INSTALLATION:

VESA Compatible
200x200 300x200 300x300
400x200 400x300 400x400
600x400

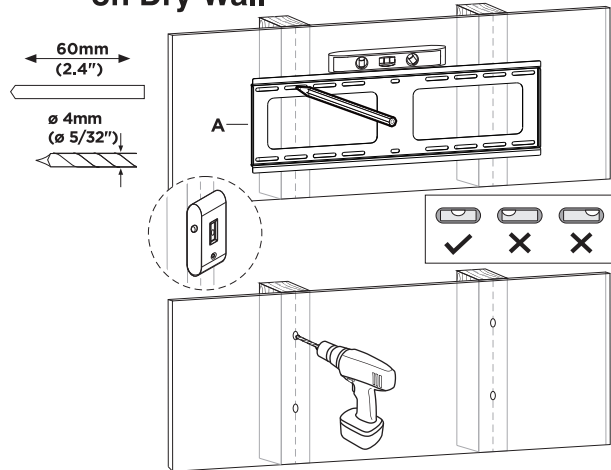
80" MAX

80kg (176lbs) RATED

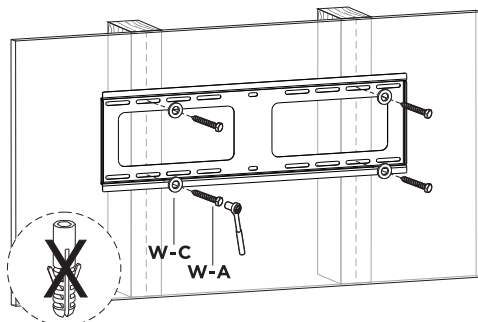
**BELOW : TOOLS REQUIRED FOR INSTALLATION BUT NOT INCLUDED



1.1 Setting up Wall Mount Bracket on Dry Wall

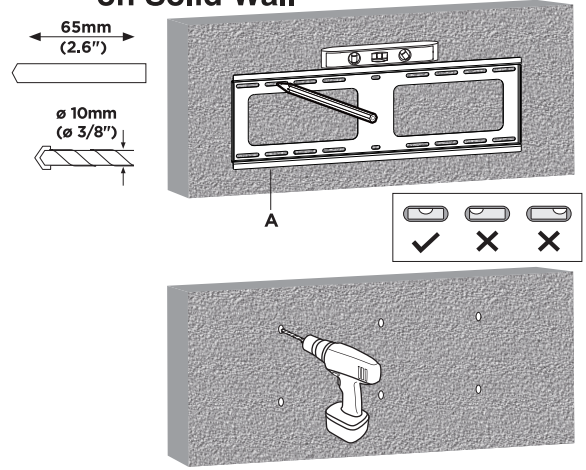


1.1A : Identify the wall studs and locate where you want to place your mount. Place the wall bracket (A) on the wall and with a level (not included), mark off the location of the drill points as illustrated above. Key point is to align any of the holes to the spacing of the studs. Afterwards use a powerdrill (not included) with a 2.4" length and a 5/32" diameter drill bit, and drill where was marked.

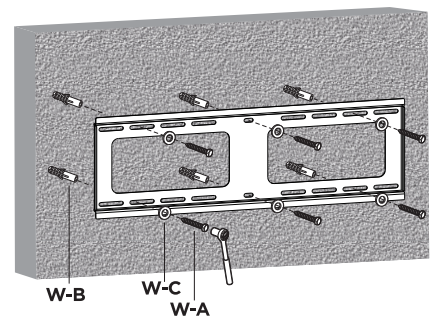


1.1B : While holding the wall bracket (A), align the 4 washers and screws (W-C, W-A) to the pre-drilled holes. Using a socket wrench tool (Not included), rotate in the screws until securely tightened.

1.2 Setting up Wall Mount Bracket on Solid Wall



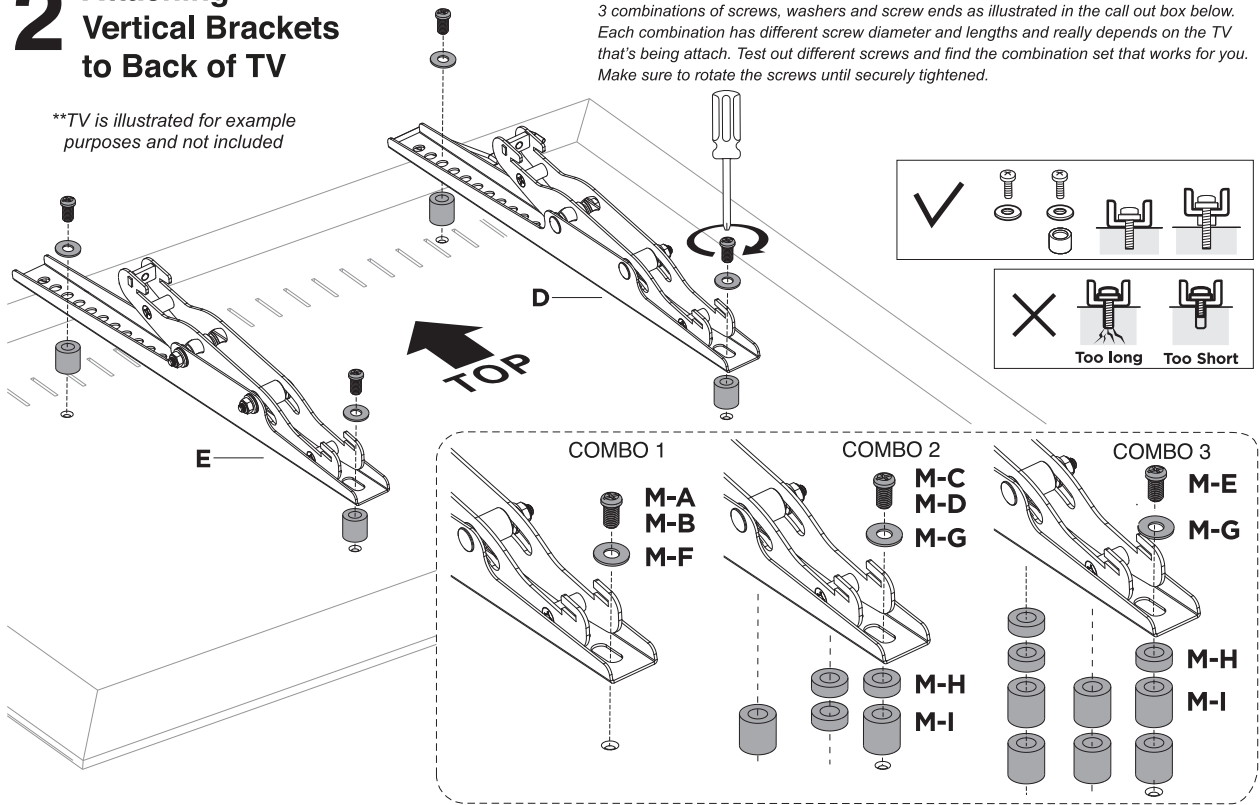
1.2A : Place the wall bracket (A) on the desired location on the wall and with a level (not included), mark off the location of the drill points as illustrated above. Afterwards use a powerdrill (not included) with a 2.6" length and a 3/8" diameter drill bit, and drill where was marked.



1.2B : Place the anchors (W-B) into the wall, and then align the 4 washers and screws (W-C, W-A) to the pre-drilled holes. Using a socket wrench tool (Not included), rotate in the screws until securely tightened.

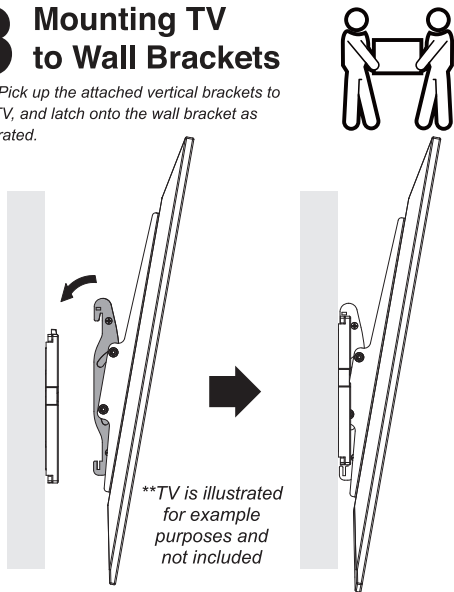
2 Attaching Vertical Brackets to Back of TV

**TV is illustrated for example purposes and not included

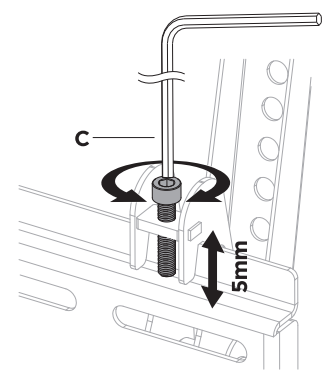
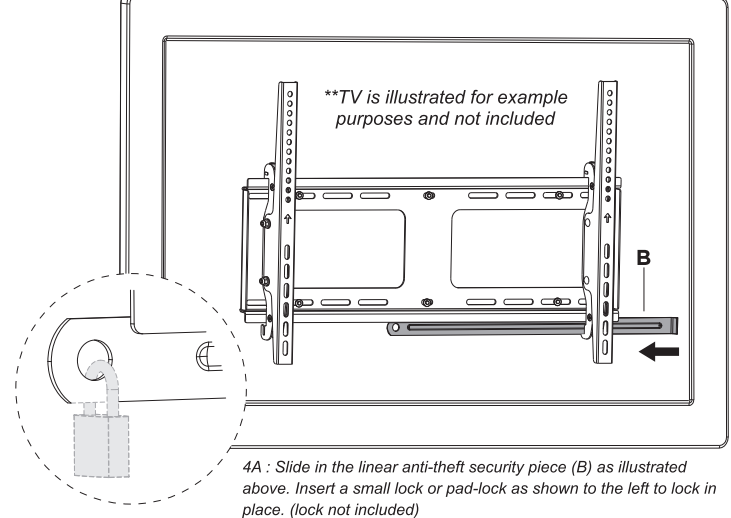


3 Mounting TV to Wall Brackets

3A : Pick up the attached vertical brackets to the TV, and latch onto the wall bracket as illustrated.



4 Inserting Anti-Theft Security Bar



5 Adjustability

