

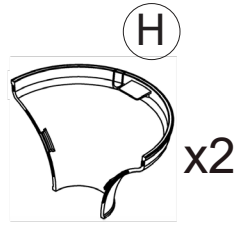
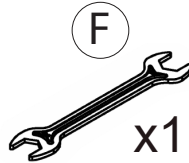
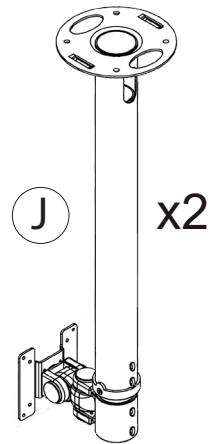
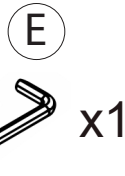


# Height Adjustable Ceiling Mount for Monitors and TVs

ADD-HACMMT

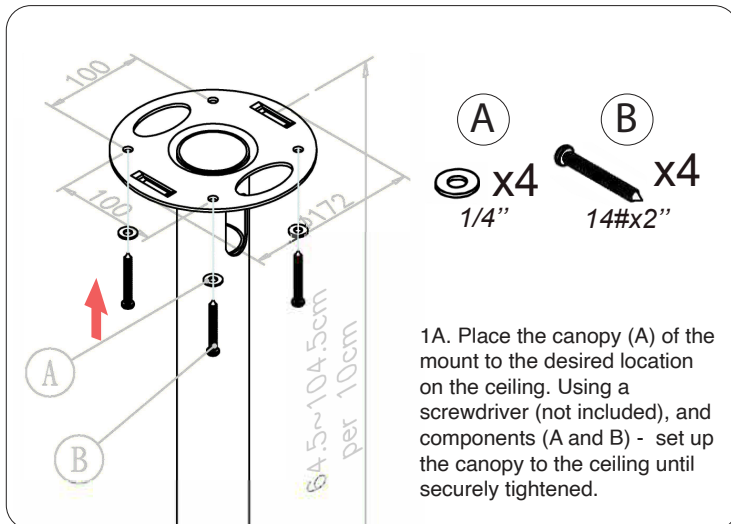
## INSTALLATION - MANUAL

### CONTENTS:

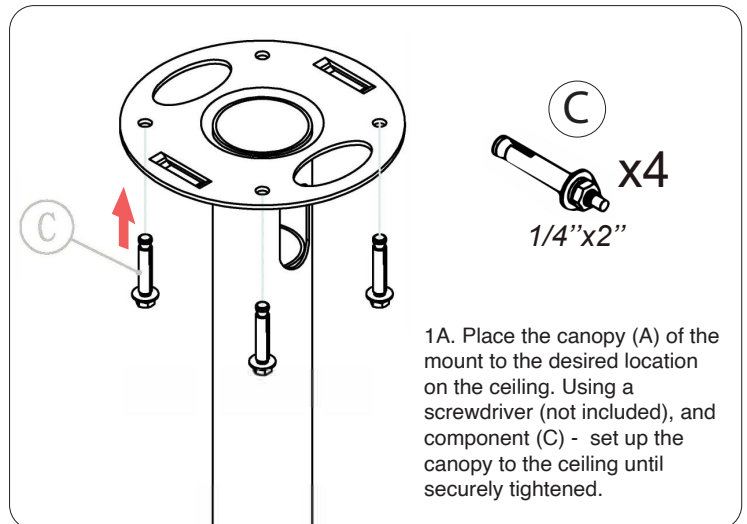


### INSTALLATION:

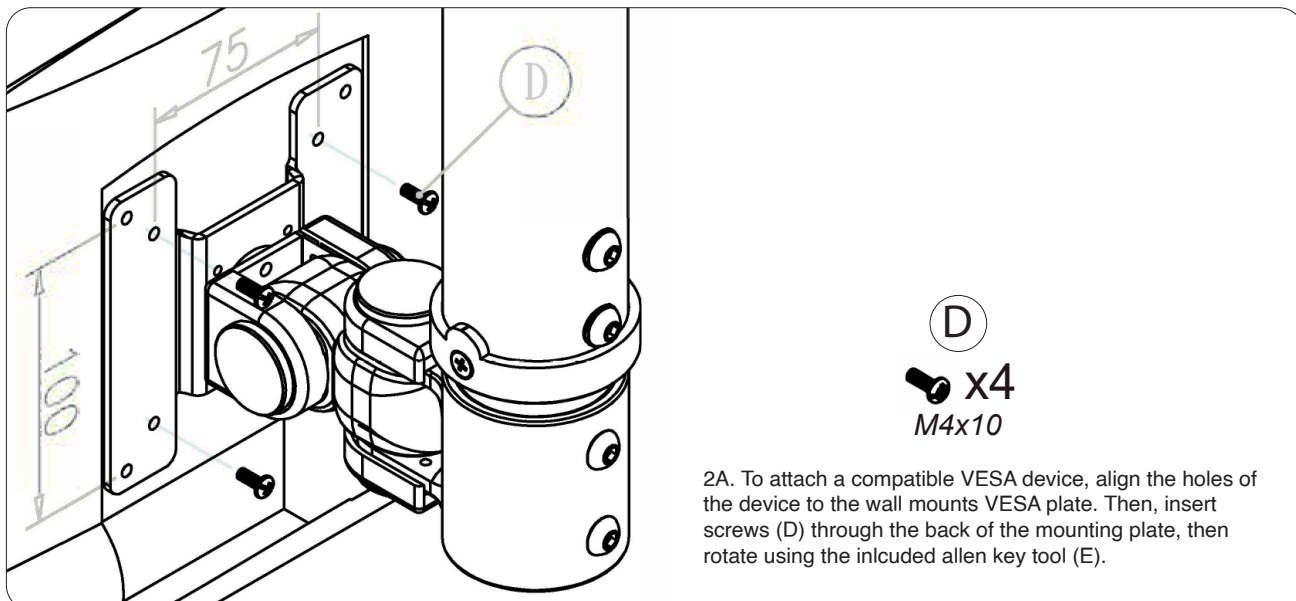
#### 1A. Mounting to Drywall Ceiling:



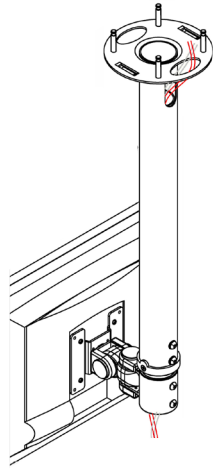
#### 1B. Mounting to Concrete Ceiling:



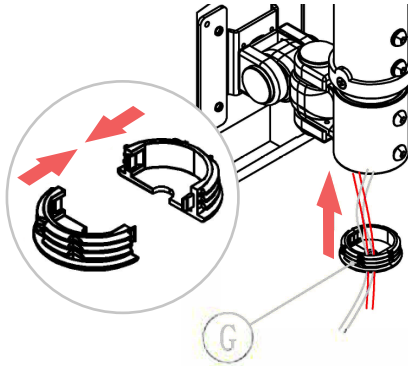
#### 2. Attaching VESA Compatible Device:



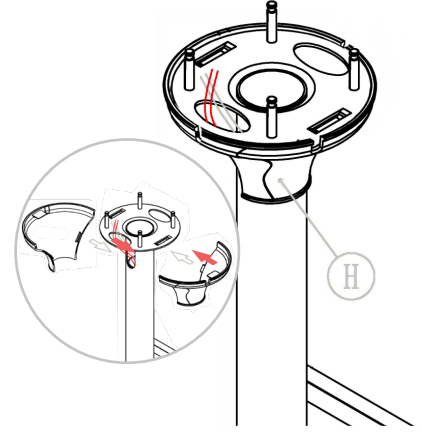
### 3. Setting Up Cable Management:



4A. Connect cables from your TV into the pole body as illustrated. Continue wiring through the body until the cable comes out from the hidden cutout in the ceiling into whatever connection is made (by others).

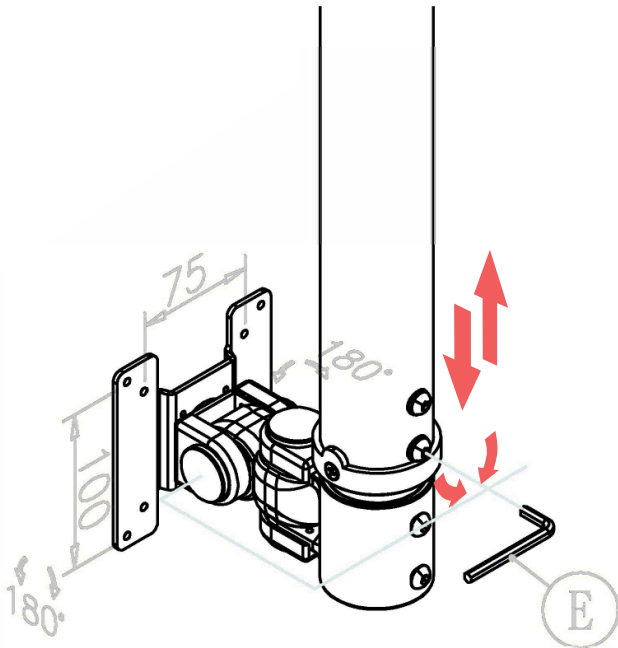


4B. Once all the wiring has been routed, use the end cap and canopy for a clean and organized seamless look. Click together the two pieces (G) and insert them in the bottom end as shown.



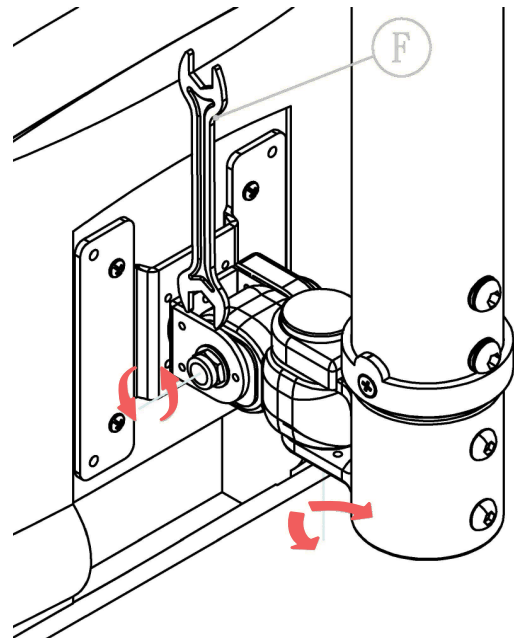
4C. Take the canopy cover pieces (H) and place them over the mounting base by clamping them together as shown above.

### Height Adjustability



Turn screw with allen key (E) to loosen, then extend or retract pole to adjust to the desired height. Turn pole knob clockwise to tighten.

### Tilt Adjustability



Turn bolt with wrench (F) to loosen connection, allowing adjusting ease of tilting in the VESA plate. Turn it clockwise to tighten the connection.