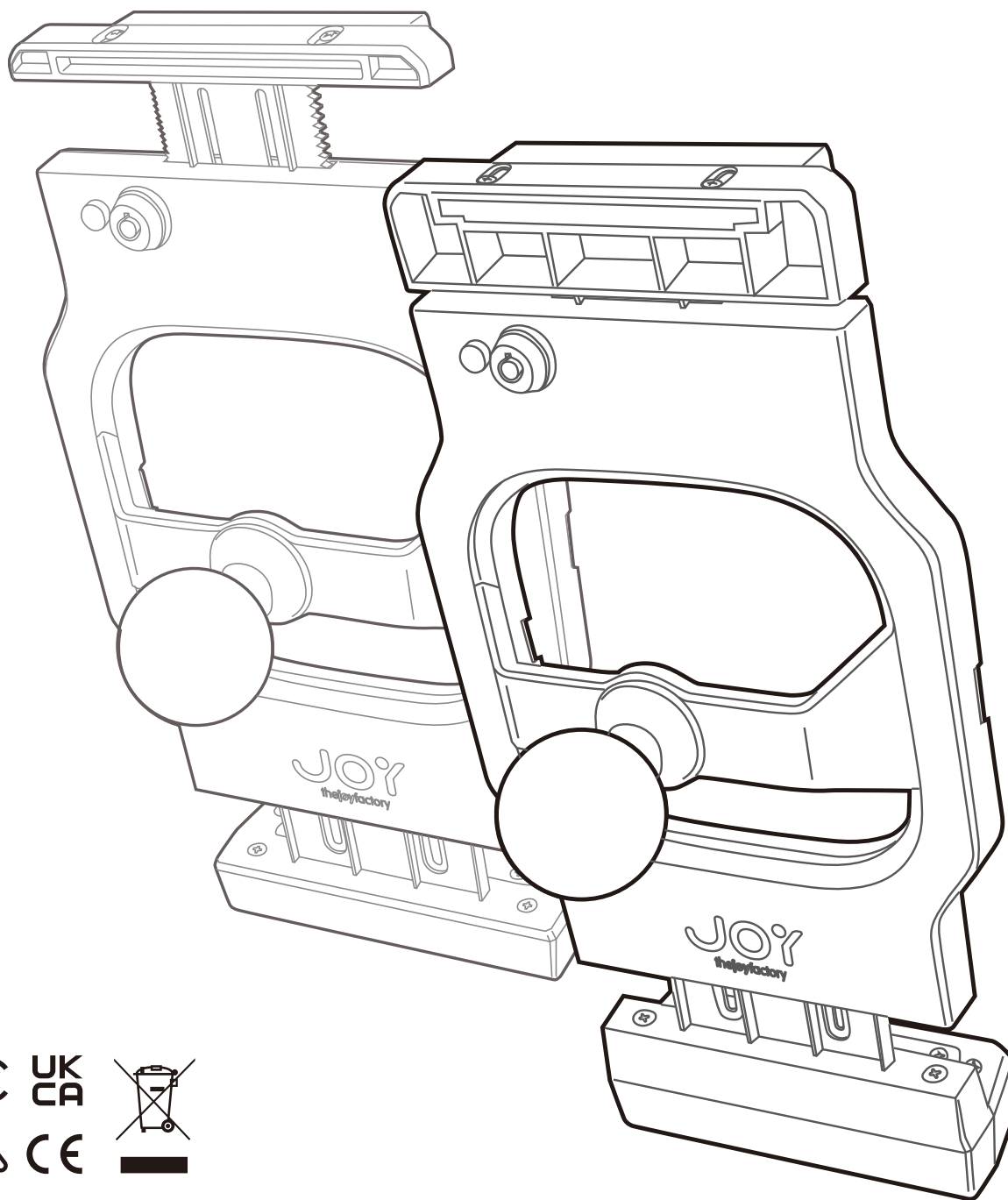


action[®] Volt

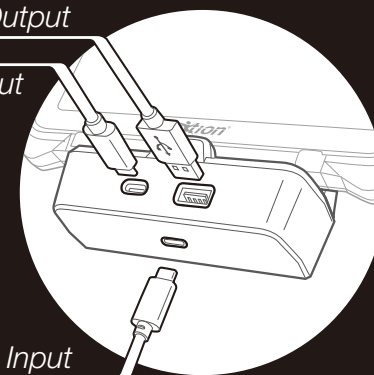
Sync and Charging Cradle

Installation Guide
Guide d'installation
ご利用ガイド



USB-A Device Output

USB-C Device Output



External Power Input



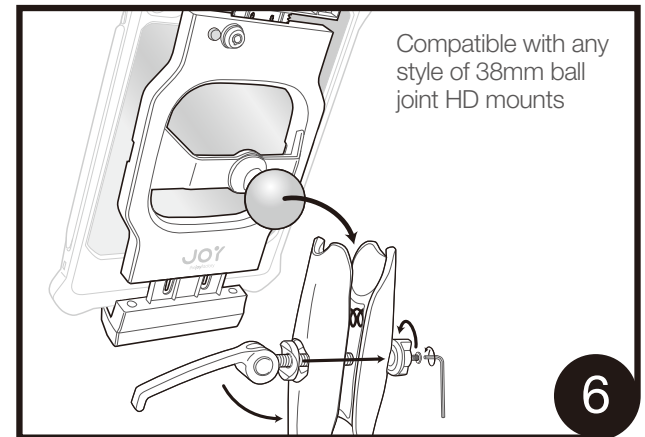
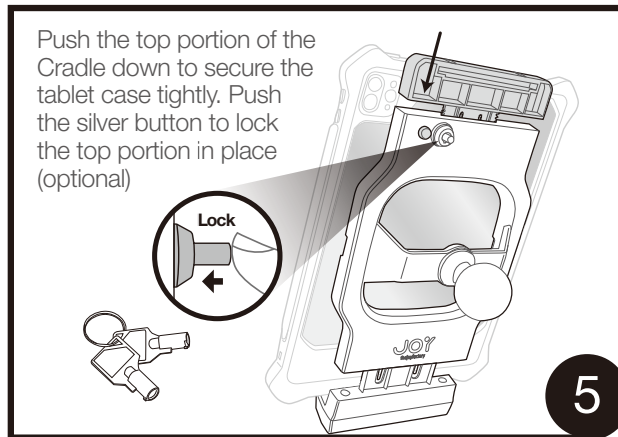
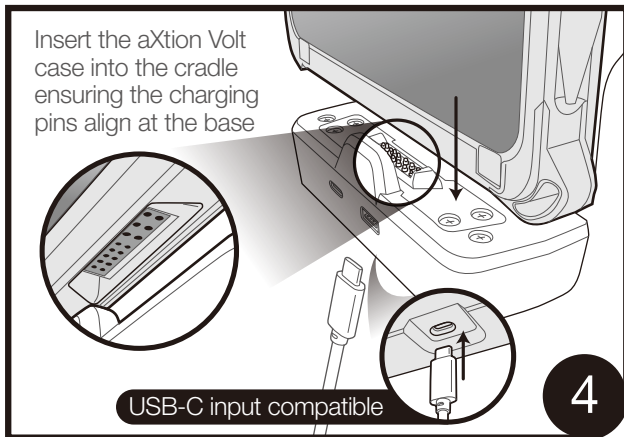
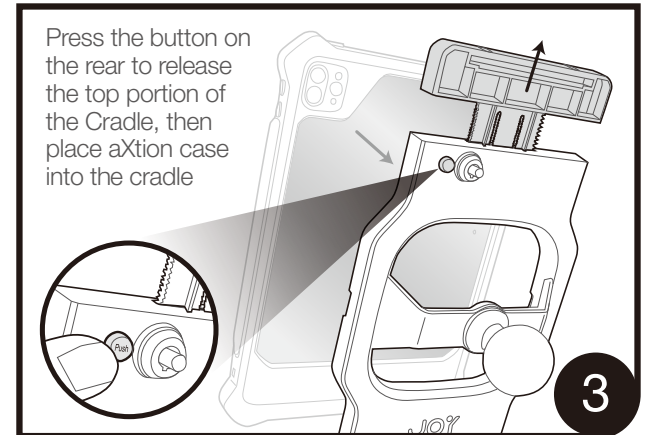
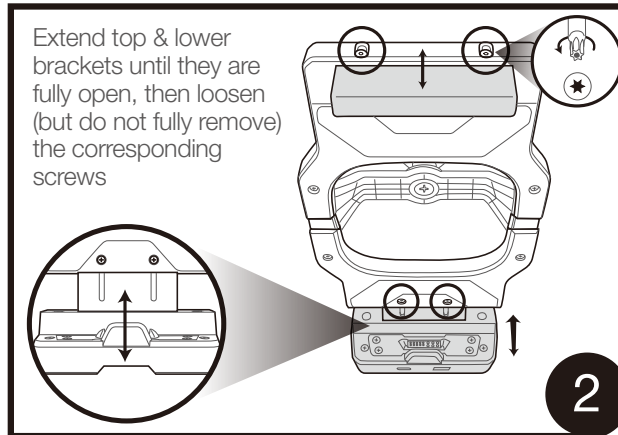
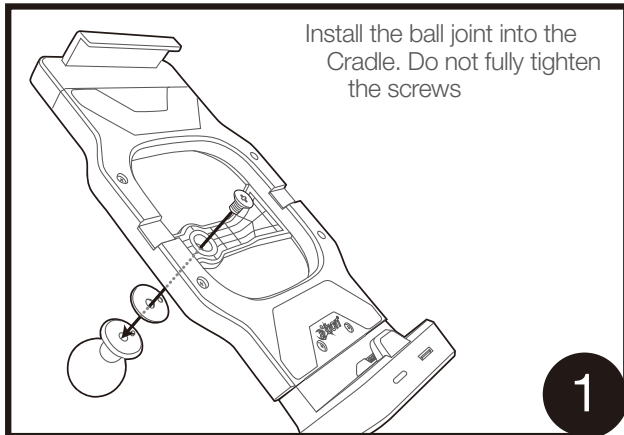
Input: 20V = 3A

DEU321
for
8.1"-10"
Tablets

DEU322
for
9.4"-11.3"
Tablets

aXtion® Volt Sync and Charging Cradle

Installation Guide Guide d'installation ご利用ガイド



DISCLAIMER FOR aXtion® Volt Charging Docks and Cradles

Congratulations on the purchase of your new aXtion Volt Dock or Cradle from The Joy Factory Inc!

INSTRUCTIONS

BEFORE USE READ ALL INSTRUCTIONS CAREFULLY. IMPROPER USE OF THE PRODUCT COULD RESULT IN DAMAGE TO YOUR DEVICE.

The aXtion Volt Dock and Cradle are specifically designed to be used with our aXtion Volt cases and accessories, if you are not certain whether the aXtion Volt Dock or Cradle is compatible with the case or accessory you have, please contact us to determine whether it is a model supported by this aXtion Volt series product.

Do not use your aXtion Volt Dock or Cradle with your device without first ensuring you are readily familiar with your aXtion Volt Dock or Cradle and how it functions. It is especially important to ensure the Dock or Cradle does not have significant damage or wear and tear that could cause electrical shock when plugged in. Do not charge the device when the case and charging system is being exposed to water.

NO ALTERATIONS

Any alteration to your aXtion Volt Dock or Cradle will void any and all warranties and guarantees, whether expressed or implied, and The Joy Factory disclaims any and all liability for damages arising from use of an altered aXtion Volt Dock or Cradle.

EXPRESS WARRANTY

If the aXtion Volt Dock or Cradle is not functioning properly for any reason; immediately stop use. The Joy Factory expressly disclaims all liability and all warranties, whether expressed or implied, for use of an aXtion Volt Dock or Cradle that has been damaged for any reason. The Dock or Cradle is covered under our three-year manufacturing warranty and can be replaced free of charge for any manufacturing defects. If you believe the Dock or Cradle has a manufacturing defect, cease use immediately and contact The Joy Factory by email at support@thejoyfactory.com or by telephone at +1 (949) 216-8888, Monday through Friday, 9:00 a.m. to 5:00 p.m., Pacific Standard Time. The Joy Factory will not replace an aXtion Volt Dock or Cradle that is damaged, other than one with a manufacturing defect. The Joy Factory is not liable to replace or pay for replacement of your device or any additional items which may be damaged from use of a Dock or Cradle with manufacturing defects.

The Joy Factory disclaims all liability for lost or stolen aXtion Volt Docks and Cradles and any device stored in a lost or stolen Dock or Cradle.

WARRANTY DISCLAIMER

EXCEPT TO THE EXTENT SET FORTH IN THE EXPRESS WARRANTY ABOVE AND AS PERMITTED BY LAW, THE JOY FACTORY INC. PROVIDES THE CASES ON AN "AS IS" BASIS, AND DISCLAIMS ALL WARRANTIES AND CONDITIONS WITH RESPECT TO THE CASES, WHETHER ORAL, WRITTEN, STATUTORY, OR IMPLIED, INCLUDING THE IMPLIED WARRANTIES OF MERCHANTABILITY, FITNESS FOR A PARTICULAR PURPOSE, TITLE, AND

NONINFRINGEMENT OF THIRD-PARTY RIGHTS.

The Joy Factory Inc. does not provide a warranty for the tablet computer installed into the aXtion Extreme Volt Case.

LIMITATION OF LIABILITY

IN ADDITION TO THE ABOVE WARRANTY DISCLAIMER, TO THE MAXIMUM EXTENT PERMITTED BY LAW, IN NO EVENT WILL: (A) THE JOY FACTORY, INC., ITS PARTNERS, OFFICERS, DIRECTORS, AGENTS, EMPLOYEES, AFFILIATES, PARENTS, SUCCESSORS, ASSIGNS, LICENSORS, SUPPLIERS AND RESELLERS (COLLECTIVELY, "THE JOY FACTORY PARTIES") BE LIABLE FOR ANY CONSEQUENTIAL, EXEMPLARY, SPECIAL, OR INCIDENTAL DAMAGES, INCLUDING ANY DAMAGES FOR PERSONAL INJURY OR LOST DATA, PROFITS, EQUIPMENT OR PROPERTY, ARISING FROM OR RELATING TO THE CASES, EVEN IF THE JOY FACTORY PARTIES KNEW OF, SHOULD HAVE KNOWN OF, OR WERE ADVISED OF THE POSSIBILITY OF SUCH DAMAGES; AND (B) THE TOTAL CUMULATIVE LIABILITY OF THE JOY FACTORY PARTIES ARISING FROM OR RELATED TO THE CASES, WHETHER IN CONTRACT, TORT OR OTHERWISE, EXCEED THE AMOUNT OF \$100.00. THIS LIMITATION APPLIES NO MATTER HOW MANY CASES YOU OWN, AND WILL NOT BE INCREASED BY THE EXISTENCE OF MORE THAN ONE INCIDENT OR CLAIM.

CALIFORNIA PROPOSITION 65 NOTICE

The State of California requires that all manufacturers notify their consumers of certain chemicals that may be found in their products, even if the amount is very slight. This is so because, if ingested, exposure to these chemicals could contribute to higher risks of cancer or birth defects. The general Proposition 65 notice is as follows:

WARNING: This product contains a chemical known to the State of California to cause cancer, birth defects or other reproductive harm.

All of The Joy Factory Inc.'s Cases are safe and are required to meet applicable federal health and safety standards. A variety of products on the market today contain safe levels of these chemicals, and when used as intended, do not expose the consumer to any greater risks.

For more information on California's Proposition 65, please see: <https://oehha.ca.gov/proposition-65/law/proposition-65-law-and-regulations>

For more information, please visit www.thejoyfactory.com.

© The Joy Factory, Inc.

Designed in Irvine, California, USA. Made in Taiwan. Reproduction in whole or in part is prohibited. All other trademarks

are the properties of their respective owners.

Patent: www.thejoyfactory.com/ip

