

Europe, Middle East

ENGLISH

FRANÇAIS

DEUTSCH

NEDERLANDS

ITALIANO

ESPAÑOL

PORTUGUÊS

РУССКИЙ

ČESTINA

TÜRKÇE

POLSKI

SVENSKA

SUOMI

SLOVENCINA

MAGYAR NYELV

עברית

العربية

North America/

Norteamérica

ENGLISH

FRANÇAIS

ESPAÑOL

Latin America/

América Latina

ENGLISH

ESPAÑOL

PORTUGUÊS

Asia Pacific

日本語

简体中文

繁體中文

한국어

ENGLISH

THRUSTMASTER®



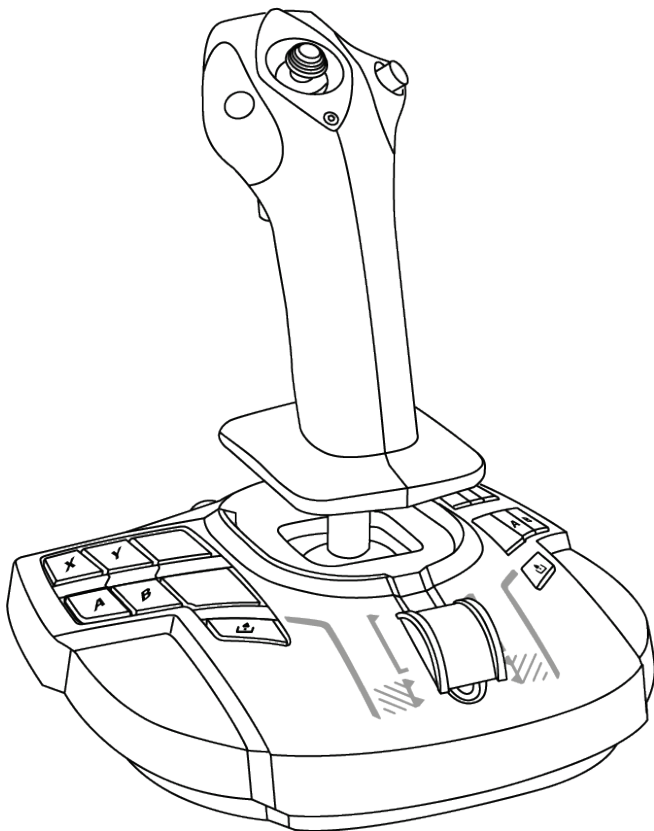
SIDESTICK X

AIRBUS EDITION

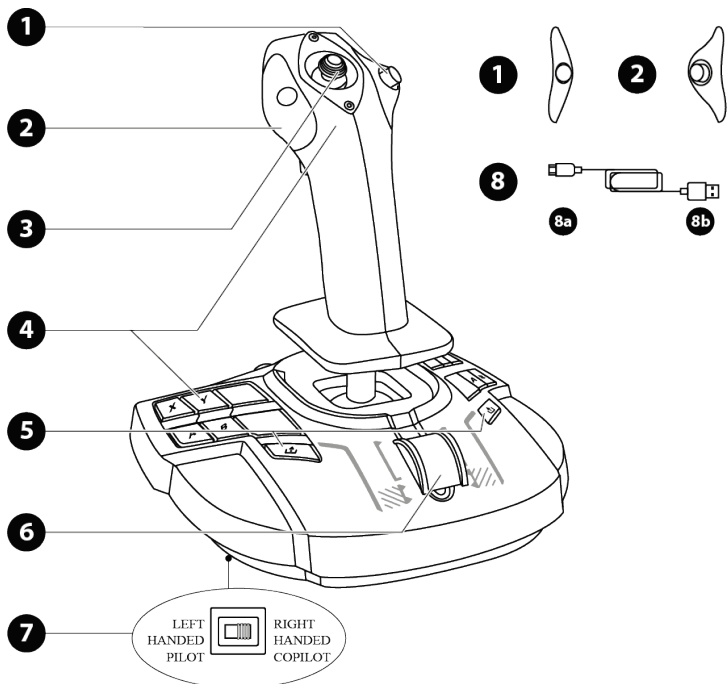
TCA SIDESTICK X AIRBUS EDITION

XBOX SERIES X|S - XBOX ONE - PC

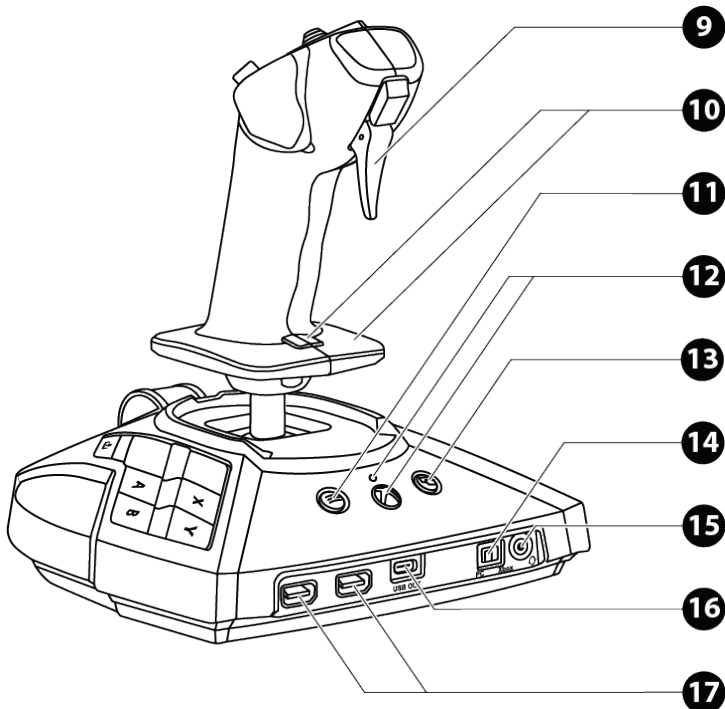
User Manual



TECHNICAL FEATURES



1. Right button modules
2. Left button modules
3. Multidirectional "Point of View" hat switch
4. 21 action buttons on Xbox, 22 action buttons on PC
5. Share buttons (Xbox)
6. Throttle + one virtual button (only on PC)
7. Selector switch: LEFT HANDED PILOT / RIGHT HANDED COPILOT
8. USB-C (8a) — USB-A (8b) cable



9. Digital trigger
10. Rudder control via rotating handle with hand rest + lock button
11. Menu button (Xbox)
12. Xbox button + LED
13. View button (Xbox)
14. Xbox / PC selector switch
15. 1/8" / 3.5 mm mini-jack microphone connector for gaming headset*
16. Type-C USB port
17. Type-A USB ports for TCA Quadrant Airbus Edition* or TPR rudder*

*sold separately

GETTING TO KNOW YOUR JOYSTICK

EXCLUSIVE PRECISION TECHNOLOGY

H.E.A.R.T: HallEffect AccuRate Technology

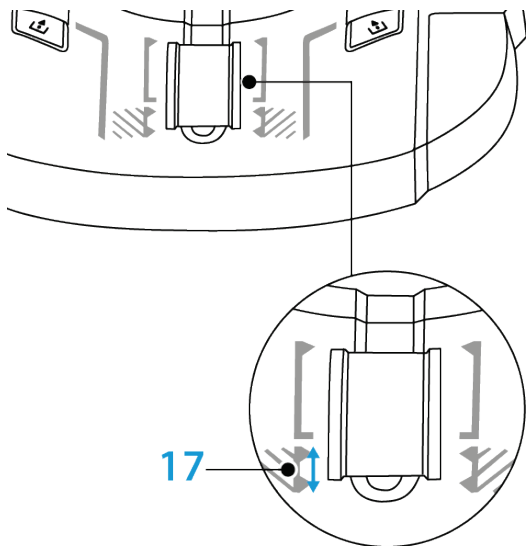
Your TCA Sidestick X Airbus Edition joystick features high-precision technology, with:

- 3D (Hall effect) magnetic sensors on the stick;
- a magnet: no friction, for unlimited precision and incredible responsiveness that will last;
- a coil spring on the stick (2.8 mm): for firm, linear and ultra-fluid tension.

THROTTLE

Your joystick features a throttle (6), which you can use to easily control your aircraft's engine thrust.

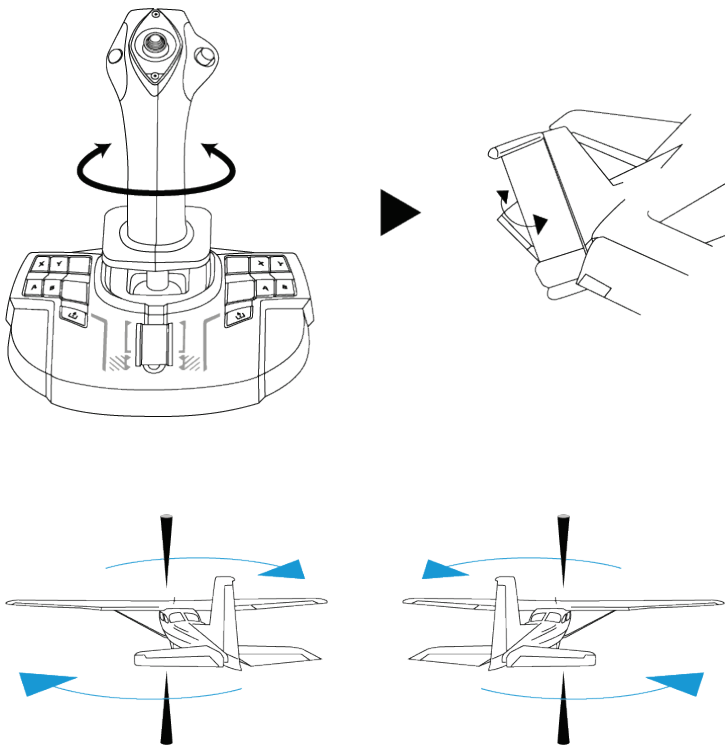
A virtual button only available on PC (number 17 in the PC mapping) is enabled on the first 20 percent of the throttle's travel, in order to activate the thrust reversers.



RUDDER FUNCTION

Your joystick features a rudder function (10). In an airplane, the pilot manipulates the rudder to pivot the plane around its vertical axis (making the plane turn to the left or to the right).

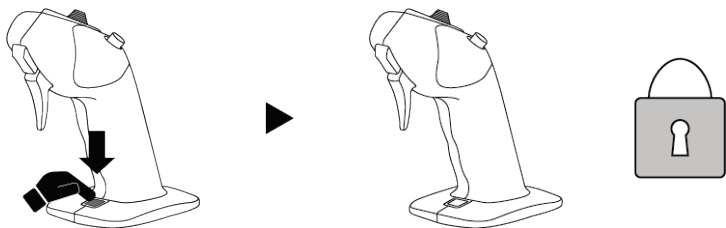
This rudder function is available on your joystick by rotating (i.e. twisting) the stick to the left or right.



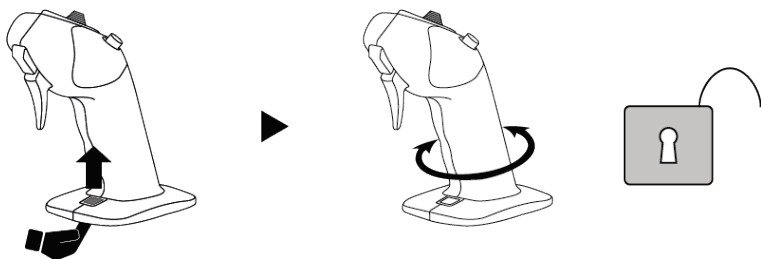
LOCKING/UNLOCKING THE RUDDER FUNCTION

The rudder function can be disabled using the lock button on the back of the joystick handle.

Press this button in order to lock the rudder's axis.



Bring this button back into the upper position to unlock the rudder's axis.



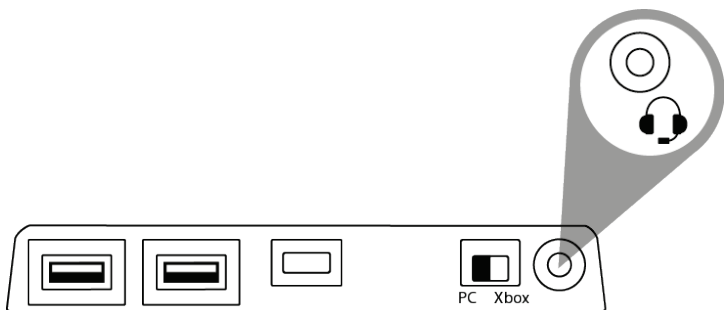
MULTIDIRECTIONAL “POINT OF VIEW” HAT SWITCH

Your joystick features a “Point of View” hat switch **(3)** which allows you to instantly view everything that is going on around your aircraft (in games where this feature is enabled). To use this feature, simply go into your game’s setup menu, and program the different views (rear view, view to the left, view to the right, external views) onto the directions of the “Point of View” hat switch.

If you wish, you can also reserve the “Point of View” hat switch for other uses instead (firing, etc.).

MICROPHONE CONNECTOR FOR GAMING HEADSET

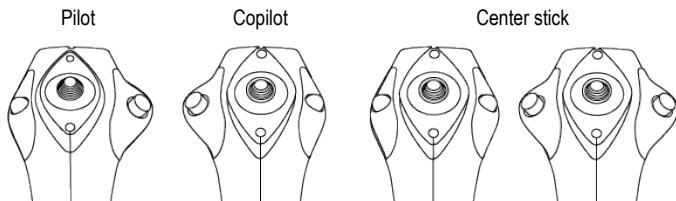
Your joystick features a 1/8" / 3.5 mm mini-jack microphone connector **(15)** allowing for the use of a gaming headset with a built-in microphone for a more immersive experience.



AMBIDEXTROUS SYSTEM AND ADJUSTING THE MODULES

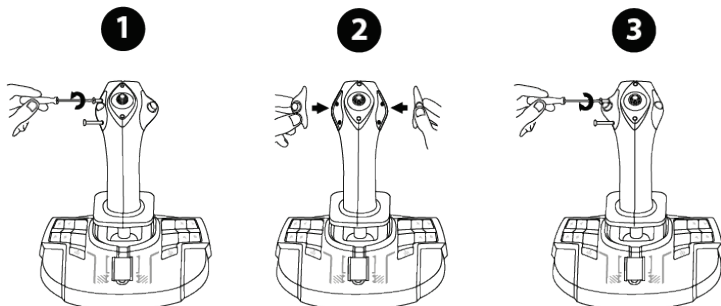
Your TCA Sidestick X Airbus Edition joystick has the advantage of being ambidextrous, allowing it to perfectly adapt to all players, whether they are right-handed or left-handed.

By default, the joystick is configured in pilot mode. Four configurations are possible:



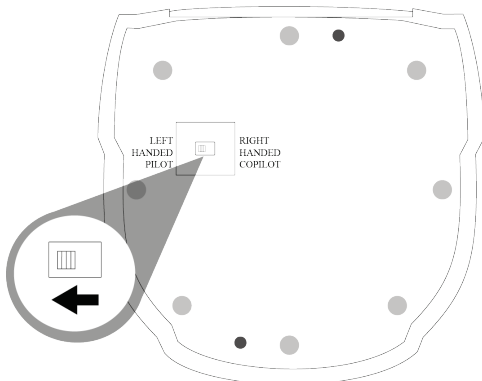
To modify the configuration of your joystick:

1. Using a small screwdriver, carefully unscrew and remove the two screws for each button module.
2. Change the modules according to your preferred configuration.
3. Put the screws back in and completely retighten them.



CONFIGURING THE STICK IN LEFT-HANDED (PILOT) MODE

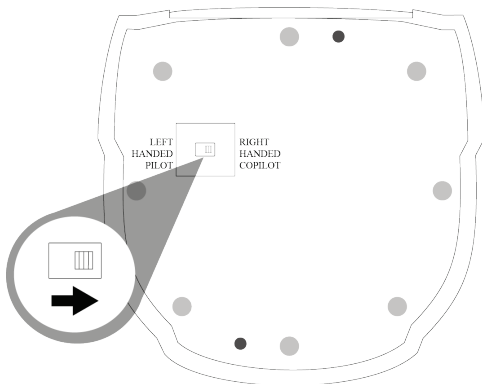
To identify the joystick as being in LEFT-HANDED (PILOT) mode, set the selector switch (7) located under the joystick's base to LEFT HANDED — PILOT before connecting the joystick. Your product will then be recognized as a TCA Sidestick X Pilot.



CONFIGURING THE STICK IN RIGHT-HANDED (COPILOT) MODE

To identify the joystick as being in RIGHT-HANDED (COPILOT) mode, set the selector switch (7) located under the joystick's base to RIGHT HANDED — COPILOT before connecting the joystick.

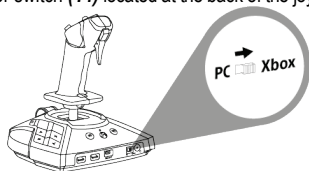
Your product will then be recognized as a TCA Sidestick X Copilot.



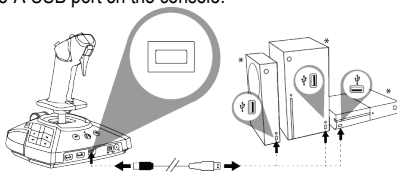
XBOX SERIES X|S / XBOX ONE

INSTALLATION ON XBOX SERIES X|S* / XBOX ONE*

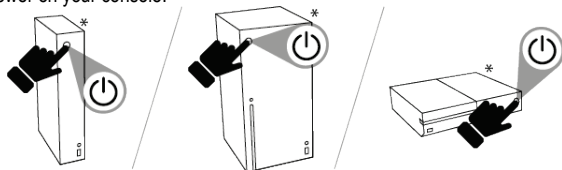
1. Set the selector switch (14) located at the back of the joystick to the Xbox position.



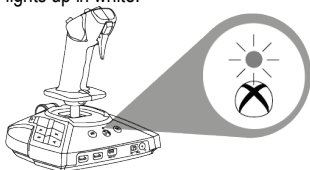
2. Connect the USB-C – USB-A cable (8) to the Type-C USB port (16) on the joystick and to a Type-A USB port on the console.



3. Power on your console.



4. The joystick's LED lights up in white.



5. Start up a compatible game supporting Flight Stick mode.

You are now ready to play!

**sold separately*

LIST OF COMPATIBLE XBOX SERIES X|S / XBOX ONE GAMES

On Xbox Series X|S* / Xbox One*, TCA Sidestick X Airbus Edition:

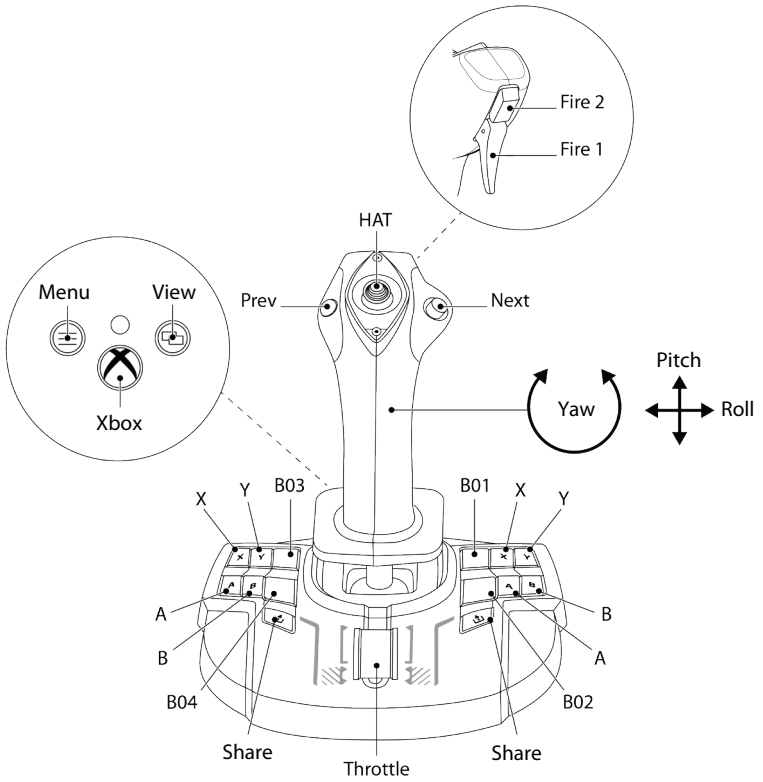
- is only compatible with games supporting Flight Stick mode.
- is recognized in games as a joystick and not as a gamepad, for maximum responsiveness and precision, as well as to be able to access the joystick options available in these games.

The list of Xbox Series X|S / Xbox One games compatible with the joystick is available at <https://support.thrustmaster.com> in the **Joysticks / TCA Sidestick X Airbus Edition** section.

This list will be added to regularly with the arrival of new Xbox Series X|S / Xbox One games compatible with TCA Sidestick X Airbus Edition.

**sold separately*

XBOX MAPPING



TCA SIDESTICK X AIRBUS EDITION CONNECTIVITY ON XBOX SERIES X|S* / XBOX ONE*

TCA Sidestick X Airbus Edition features four axes, but allows you to directly connect the TCA Quadrant Airbus Edition* throttle system, the TCA Quadrant Add-On Airbus Edition* modules and a TPR* rudder system at the back of the joystick.

On Xbox Series X|S* / Xbox One* only, a second throttle system can be connected to TCA Quadrant Airbus Edition*, allowing the joystick to manage up to nine additional axes.

On Xbox Series X|S* / Xbox One*, compatible Thrustmaster devices connected via the Type-A USB port will be merged with TCA Sidestick X Airbus Edition.



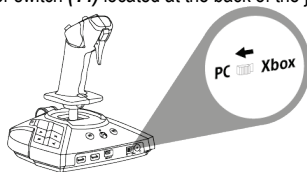
The only devices supported on Xbox Series X|S* / Xbox One* are TCA Quadrant Airbus Edition*, TCA Quadrant Add-On Airbus Edition*, and the TPR* and TFRP* rudder systems.

**sold separately*

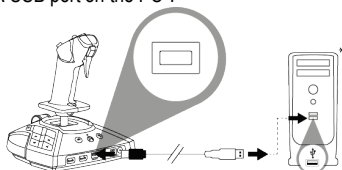
PC

INSTALLATION ON PC*

1. Go to <https://support.thrustmaster.com>. Click **Joysticks / TCA Sidestick X Airbus Edition**, and select **Drivers**. Download and install the PC driver and its customized interface for the Windows Control Panel.
2. Set the selector switch **(14)** located at the back of the joystick to the PC position.



3. Connect the USB-C — USB-A cable **(8)** to the Type-C USB port **(16)** on the joystick, and to a Type-A USB port on the PC*.



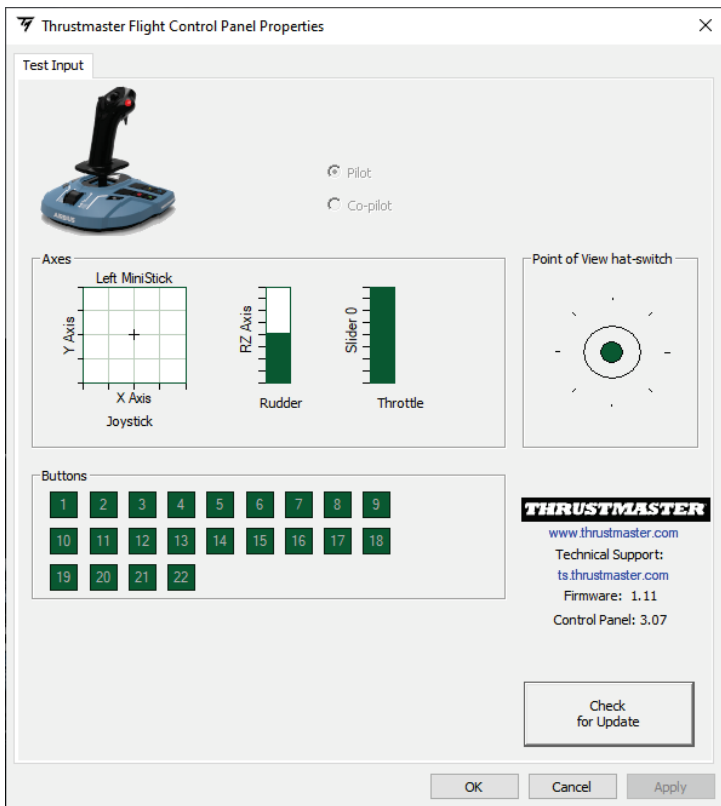
4. Start up a compatible game supporting HID flight peripherals.

You are now ready to play!

**sold separately*

CUSTOMIZED INTERFACE

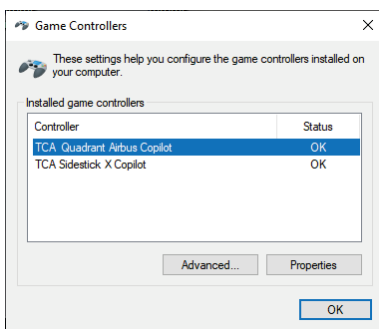
- To access the customized Control Panel interface, select **Start / Apps / Thrustmaster / Control Panel** (in Windows® 10/11).
The **Game Controllers** dialog box is displayed. The device appears onscreen with the name **TCA Sidestick X** and **OK** status.
- In the **Game Controllers** dialog box, click **Properties** to test and view all features.



TCA SIDESTICK X AIRBUS EDITION CONNECTIVITY ON PC*

TCA Sidestick X Airbus Edition features four axes, but allows you to directly connect the TCA Quadrant Airbus Edition* throttle system, the TCA Quadrant Add-On Airbus Edition* modules and a TPR* rudder system at the back of the joystick.

When TCA Quadrant Airbus Edition* and the TPR* rudder system or TFRP* rudder system are connected, they appear independently in the **Game Controllers** dialog box as virtual devices:

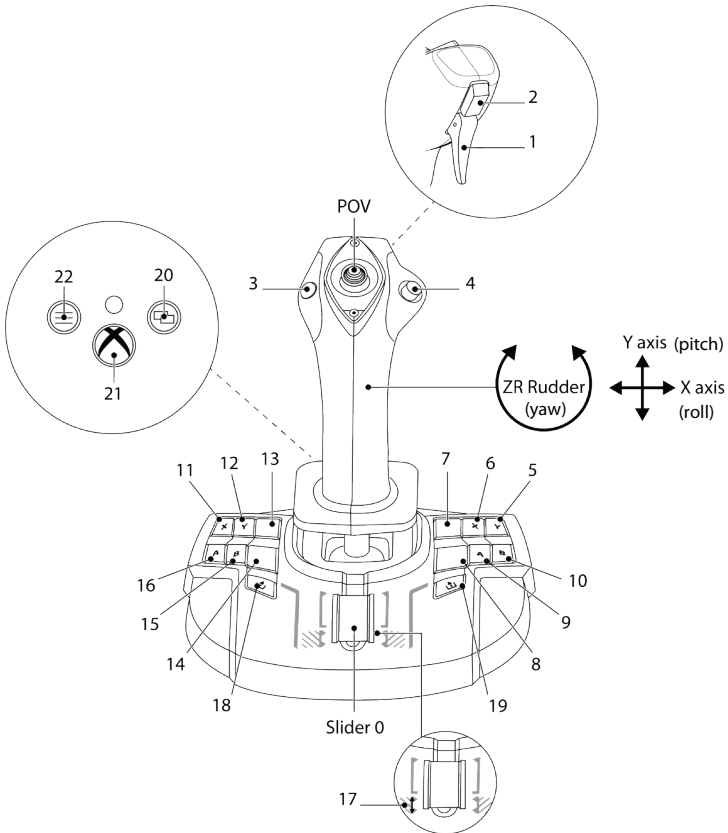


Connecting the TPR* rudder system or TFRP* rudder system:

- The driver must be installed in order for the devices to function properly.
- If the rudder system is connected to the joystick or to the throttle system connected to the joystick, the rudder system's three axes are merged with the virtual quadrant (TCA Quadrant Airbus Copilot).

**sold separately*

PC MAPPING

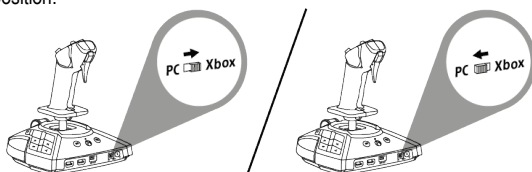


INSTALLING TCA SIDESTICK X AIRBUS EDITION COMBINED WITH TCA QUADRANT AIRBUS EDITION* AND THE TPR* AND TFRP* RUDDER SYSTEMS

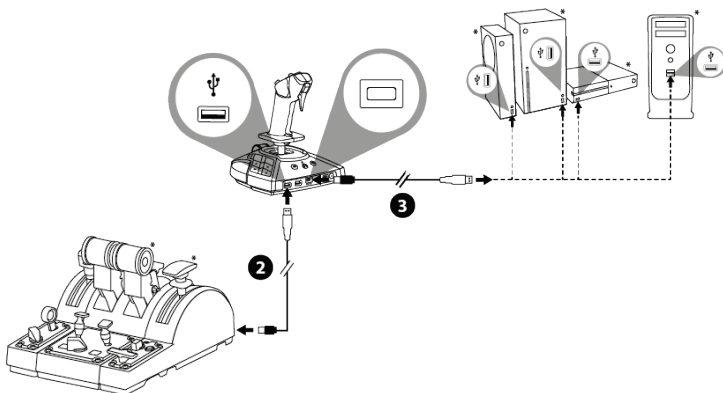
THROTTLE AND ADD-ON MODULES

TCA Quadrant Airbus Edition* associated with the TCA Quadrant Add-On Airbus Edition* modules connects to the joystick.

1. Set the selector switch **(14)** located at the back of the joystick to the Xbox or PC position.



2. Connect a USB-C — USB-A cable **(8)** to the Type-C USB port on the throttle, and to a Type-A USB port **(17)** located at the back of the joystick.
3. Connect a second USB-C — USB-A cable **(8)** to the Type-C USB port **(16)** on the joystick, and to a Type-A USB port on the console or PC.



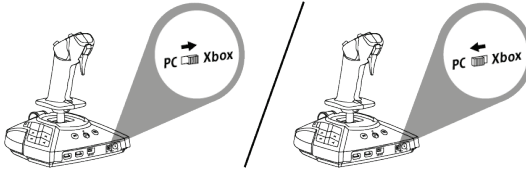
*sold separately

RUDDER SYSTEM

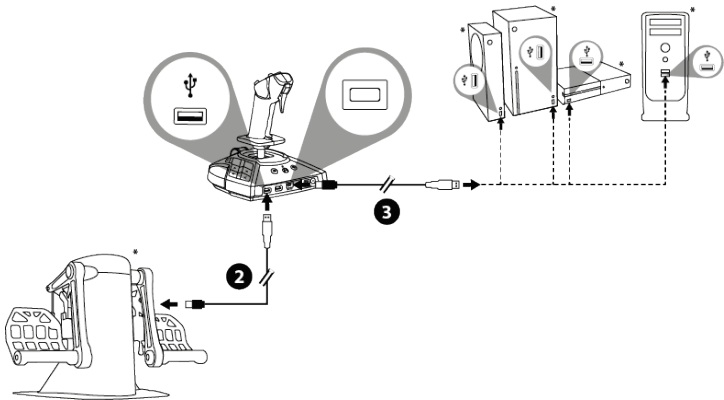
Three axes are reserved for the TPR* and TFRP* rudder systems.

The TPR* rudder system connects to the joystick.

1. Set the selector switch **(14)** located at the back of the joystick to the Xbox or PC position.



2. Connect the rudder system's USB-A — USB-B cable to the Type-B USB port on the rudder system, and to a Type-A USB port **(17)** located at the back of the joystick.
3. Connect the USB-C — USB-A cable **(8)** to the Type-C USB port **(16)** on the joystick, and to a Type-A USB port on the console or PC.

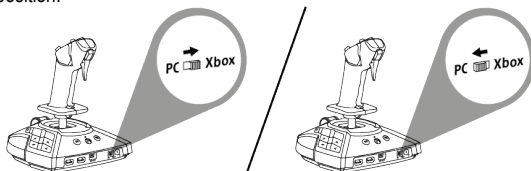


On Xbox Series XIS* / Xbox One*, it is not possible to connect a TPR* rudder system when two TCA Quadrant Airbus Edition* throttle systems are already connected to TCA Sidestick X Airbus Edition.

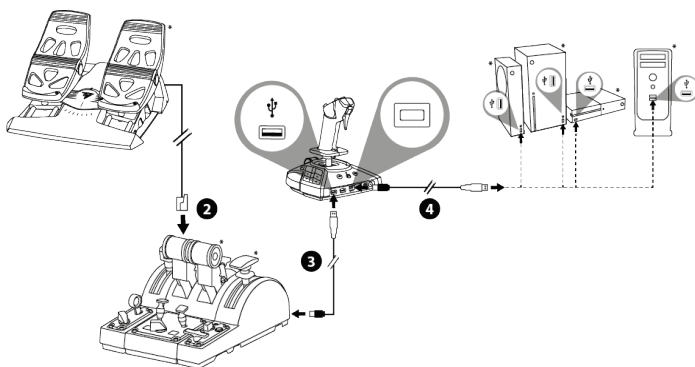
*sold separately

The TFRP* rudder system connects to the throttle system when you are using TCA Quadrant Airbus Edition*.

1. Set the selector switch (14) located at the back of the joystick to the Xbox or PC position.



2. Connect the rudder system's RJ12 connector to the RJ12 port located at the back of the TCA Quadrant Airbus Edition throttle system*.
3. Connect a USB-C — USB-A cable (8) to the Type-C USB port on the throttle system, and to a Type-A USB port (17) located at the back of the joystick.
4. Connect a second USB-C — USB-A cable (8) to the Type-C USB port (16) on the joystick, and to a Type-A USB port on the console or PC.



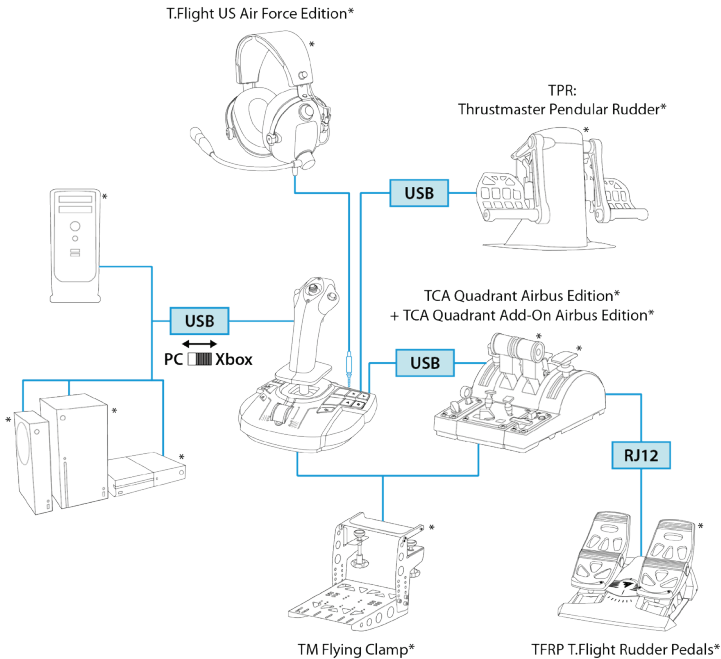
Automatic calibration of the axes:

- When connecting the rudder system to the joystick or the throttle system, always leave the rudder's axis centered. Do not put your feet on the rudder.
- The pedals' three axes calibrate automatically after a few movements, and once the physical stops for the rudder axis and the two differential brake axes have been reached.

*sold separately

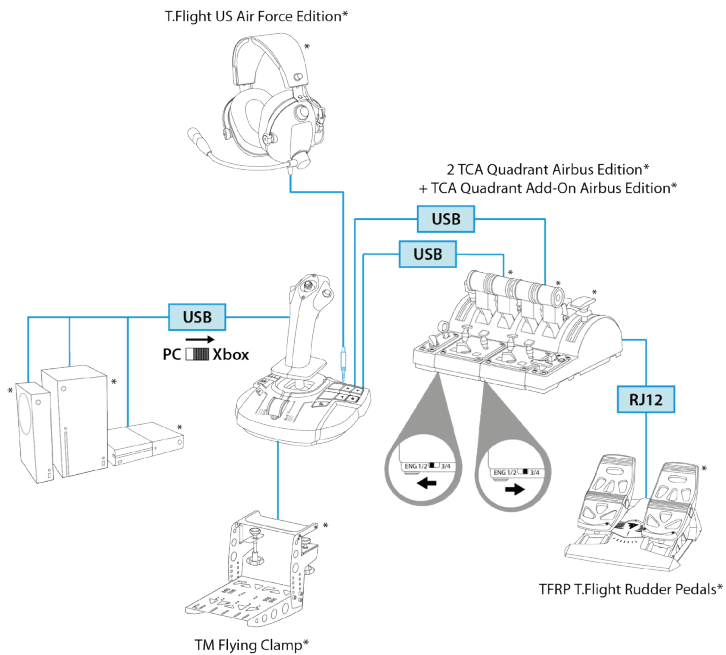
CONNECTING TCA SIDESTICK X AIRBUS EDITION WITH ALL COMPATIBLE PRODUCTS

XBOX SERIES X|S – XBOX ONE – PC



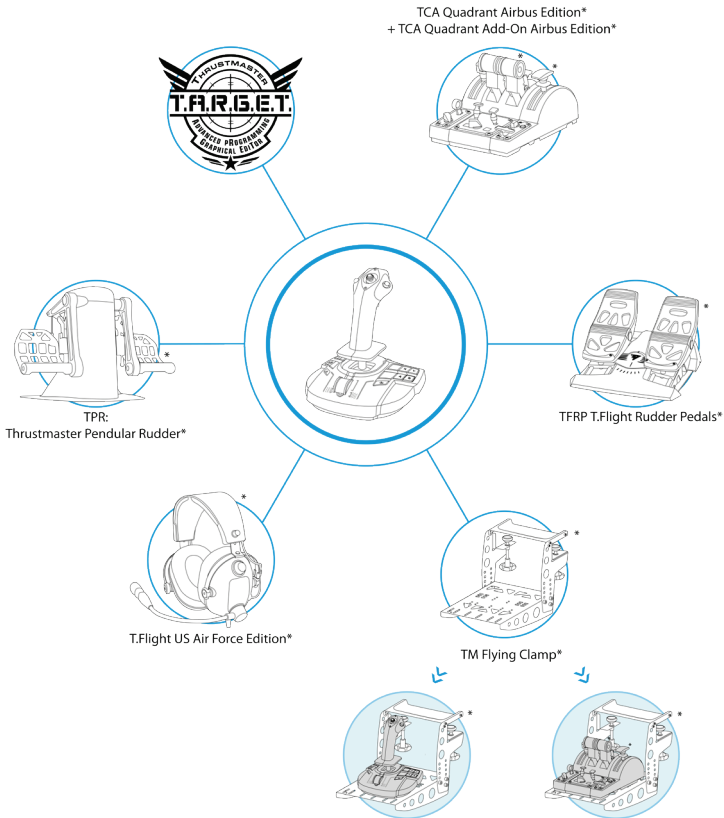
*sold separately

XBOX SERIES X|S – XBOX ONE



**sold separately*

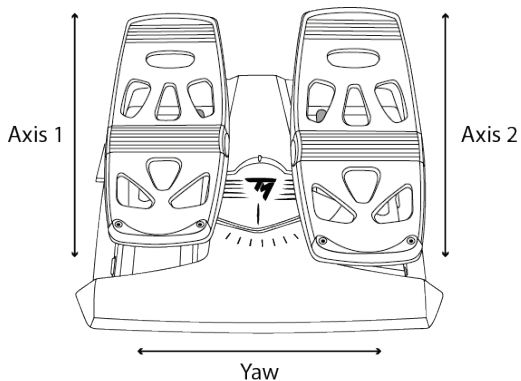
TCA ECOSYSTEM



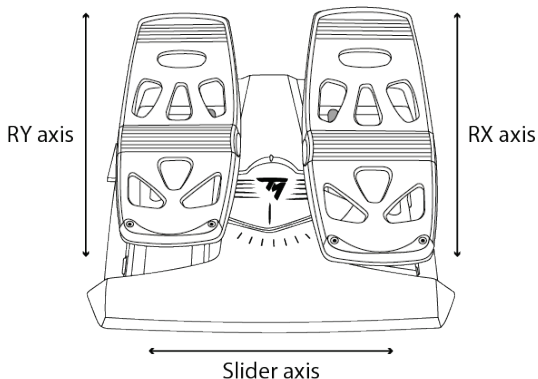
*sold separately

MAPPING FOR TFRP* RUDDER SYSTEM CONNECTED TO TCA SIDESTICK X AIRBUS EDITION VIA TCA QUADRANT AIRBUS EDITION*

XBOX MAPPING



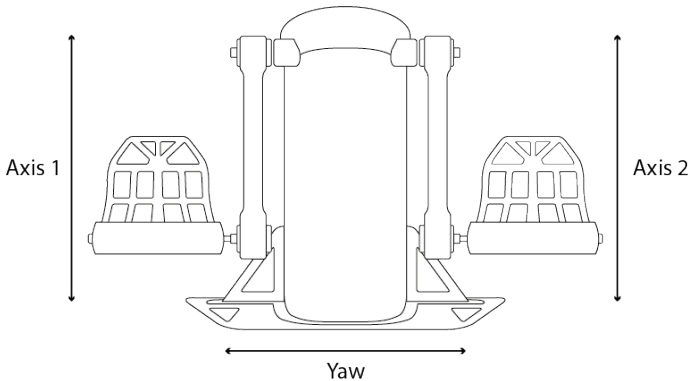
PC MAPPING



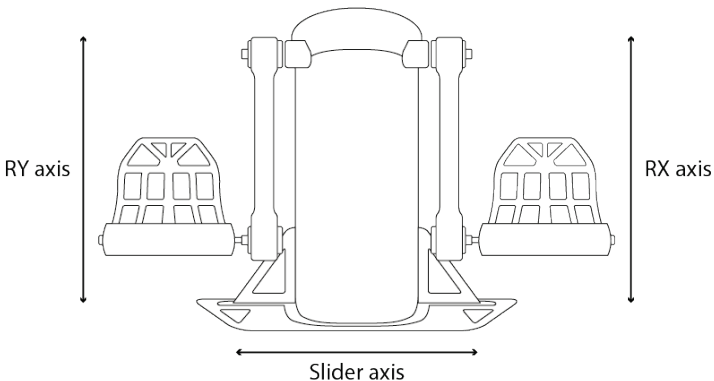
**sold separately*

MAPPING FOR TPR* RUDDER SYSTEM CONNECTED TO TCA SIDESTICK X AIRBUS EDITION

XBOX MAPPING



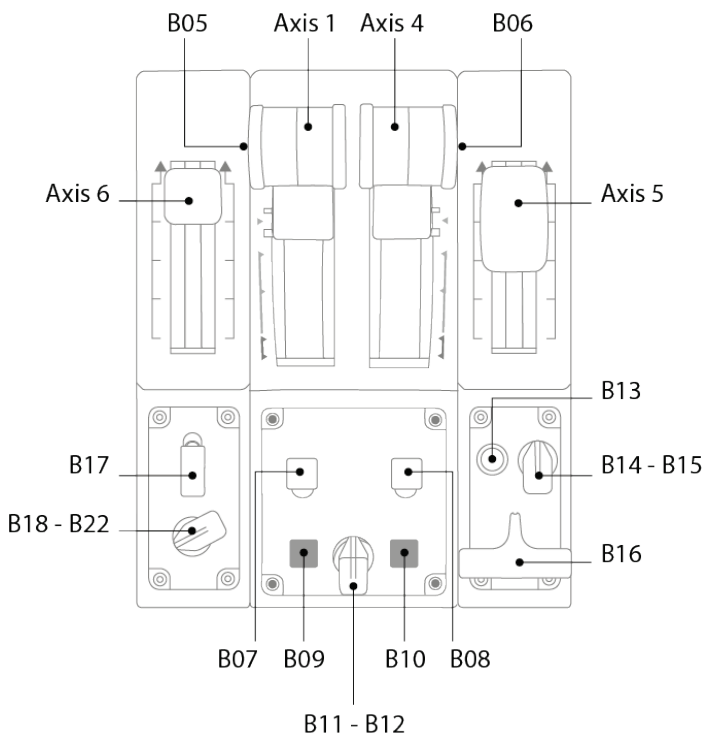
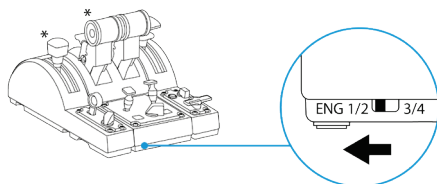
PC MAPPING



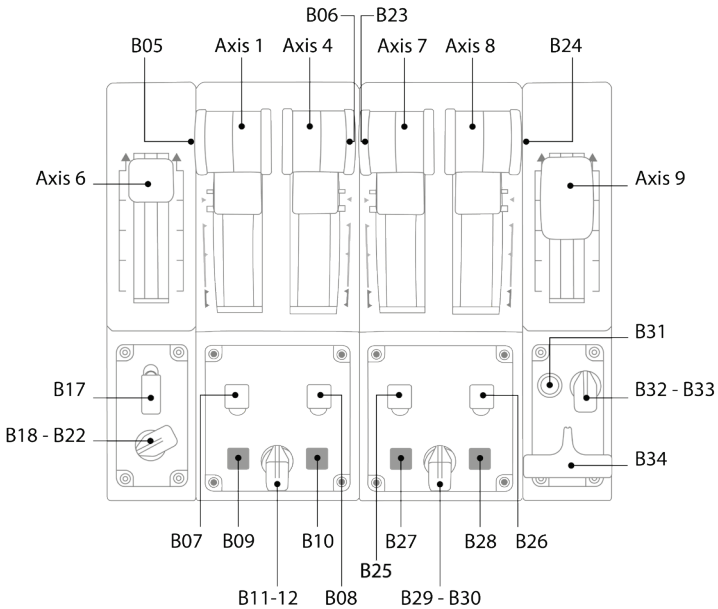
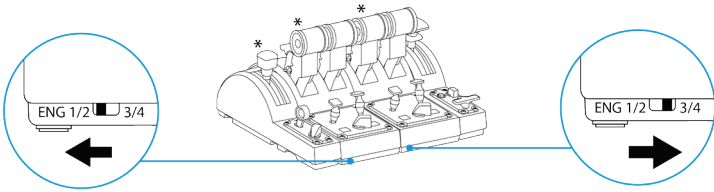
*sold separately

MAPPING FOR TCA QUADRANT AIRBUS EDITION* AND TCA QUADRANT ADD-ON AIRBUS EDITION* CONNECTED TO TCA SIDESTICK X AIRBUS EDITION

XBOX MAPPING

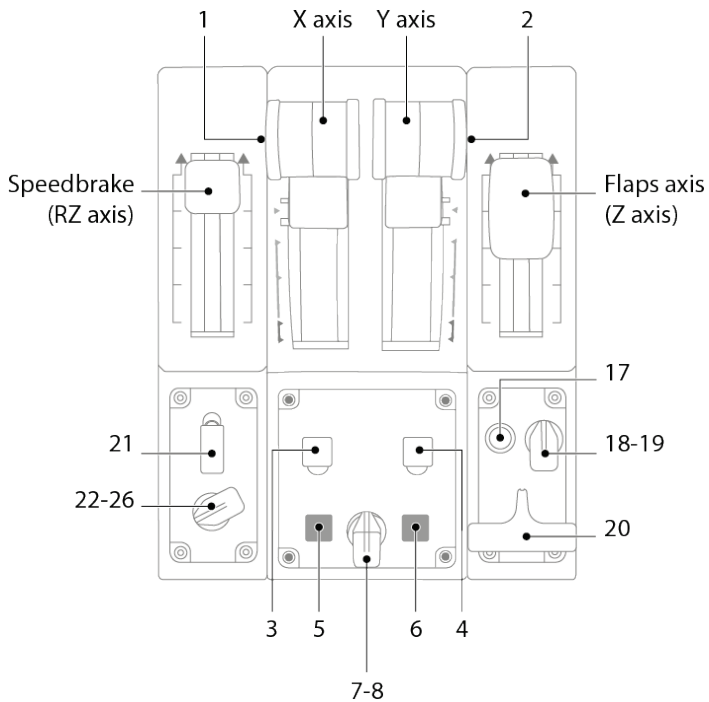
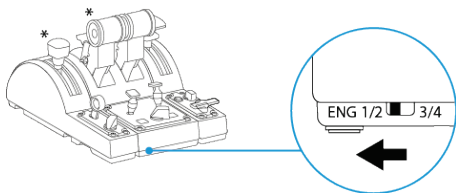


*sold separately



**sold separately*

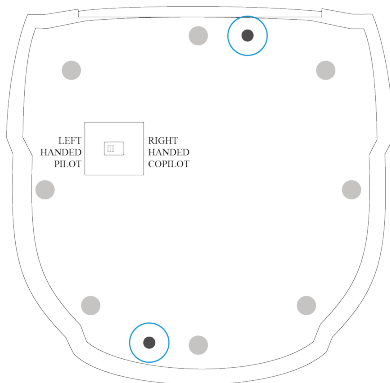
PC MAPPING



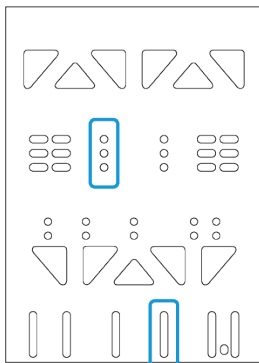
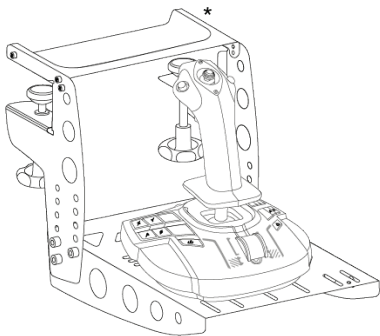
**sold separately*

INSTALLING TCA SIDESTICK X AIRBUS EDITION ON TM FLYING CLAMP*, A COCKPIT OR ANOTHER STATIONARY SUPPORT

You can use the two perforations located on the underside of TCA Sidestick X Airbus Edition to attach the joystick to a stationary support using M6 screws (not included).



INSTALLING TCA SIDESTICK X AIRBUS EDITION ON TM FLYING CLAMP*:



*sold separately

UPDATING THE TCA SIDESTICK X AIRBUS EDITION FIRMWARE

The firmware included in the joystick can be updated, in order to take advantage of product improvements.

To display your joystick's firmware version and update it if necessary: on PC, go to <https://support.thrustmaster.com>. Click **Joysticks / TCA Sidestick X Airbus Edition / Firmware**, then follow the instructions and the downloading and installation procedure.



The only devices supported are the TCA Quadrant Airbus Edition* throttle system combined with the TCA Quadrant Add-On Airbus Edition* modules and the TPR* and TFRP* rudder systems.

You are now ready to play!

**sold separately*

T.A.R.G.E.T ADVANCED PROGRAMMING SOFTWARE (Thrustmaster Advanced pROgramming Graphical EdiTor)

T.A.R.G.E.T (Thrustmaster Advanced pROgramming Graphical EdiTor) is an innovative, high-performance software suite allowing for improvements to most Thrustmaster flight controllers, and the sharing of profiles with the Thrustmaster community.

DOWNLOADING T.A.R.G.E.T

Go to <https://support.thrustmaster.com>. Click **Joysticks / TCA Sidestick X Airbus Edition**, then select **Software**. Download and install the T.A.R.G.E.T advanced programming software.

MAIN FEATURES OF T.A.R.G.E.T:

- Different possible configurations for the axes.
- Different possible programming levels: Basic, Advanced and Script.
- Use of the Drag and Drop principle.
- Ability to combine TCA Sidestick X Airbus Edition with other Thrustmaster joysticks (Hotas Cougar*, Hotas Warthog*, T.16000M*, MFD Cougar Pack*, also compatible with T.A.R.G.E.T), allowing them to be recognized as a single USB device.
- Access to advanced profiles created by the Thrustmaster community.



**sold separately*

IMPORTANT NOTES

When connecting your joystick, always leave the stick and the rudder centered and avoid moving them, to avoid any potential calibration problems.

TROUBLESHOOTING AND WARNING

My joystick isn't working properly, or seems to be improperly calibrated.

- Verify that the selector switch **(14)** is in the proper position (Xbox or PC) before connecting the USB cable to the console or PC.
- Power off your console or your PC, disconnect your joystick, reconnect it and then restart your game.
- When connecting your joystick, leave the stick and the rudder centered and avoid moving them, to avoid any potential calibration problems.

I can't configure my joystick.

- In your game's **Options / Controller / Gamepad** or **Joystick** menu, select the appropriate configuration or completely reconfigure the controller's options.
- For more information, please refer to your game's user manual or online help.

My joystick is too sensitive, or not sensitive enough.

- TCA Sidestick X Airbus Edition automatically self-calibrates after a few movements on the different axes.
- In your game's **Options / Controller / Gamepad** or **Joystick** menu, adjust the sensitivity and dead zones for your controller (if these options are available).

The TCA Sidestick X Airbus Edition microphone connector isn't working properly.

- TCA Sidestick X Airbus Edition features a USB audio device. When connecting a USB audio device to Windows for the first time, the default volume for all microphones is set to zero.
- To resolve the problem, access the Windows audio settings for the TCA Sidestick X Airbus Edition microphone connector and set the audio level to 100%.

On PC, the connected devices aren't working properly.

- Install the PC driver. Go to <https://support.thrustmaster.com>. Click **Joysticks / TCA Sidestick X Airbus Edition**, and select **Drivers**. Download and install the PC driver and its customized interface for the Windows Control Panel.



This device is intended for use with respect to gaming entertainment purposes only. It is strictly forbidden to use this device for professional training activities.

CONSUMER WARRANTY INFORMATION

Worldwide, Guillemot Corporation S.A., whose registered office is located at Place du Granier, B.P. 97143, 35571 Chantepie, France (hereinafter "Guillemot") warrants to the consumer that this Thrustmaster product shall be free from defects in materials and workmanship, for a warranty period which corresponds to the time limit to bring an action for conformity with respect to this product. In the countries of the European Union, this corresponds to a period of two (2) years from delivery of the Thrustmaster product. In other countries, the warranty period corresponds to the time limit to bring an action for conformity with respect to the Thrustmaster product according to applicable laws of the country in which the consumer was domiciled on the date of purchase of the Thrustmaster product (if no such action exists in the corresponding country, then the warranty period shall be one (1) year from the original date of purchase of the Thrustmaster product).

Should the product appear to be defective during the warranty period, immediately contact Technical Support, who will indicate the procedure to follow. If the defect is confirmed, the product must be returned to its place of purchase (or any other location indicated by Technical Support).

Within the context of this warranty, the consumer's defective product shall, at Technical Support's option, be either replaced or returned to working order. If, during the warranty period, the Thrustmaster product is subject to such reconditioning, any period of at least seven (7) days during which the product is out of use shall be added to the remaining warranty period (this period runs from the date of the consumer's request for intervention or from the date on which the product in question is made available for reconditioning, if the date on which the product is made available for reconditioning is subsequent to the date of the request for intervention). If permitted under applicable law, the full liability of Guillemot and its subsidiaries (including for consequential damages) is limited to the return to working order or the replacement of the Thrustmaster product. If permitted under applicable law, Guillemot disclaims all warranties of merchantability or fitness for a particular purpose.

This warranty shall not apply: (1) if the product has been modified, opened, altered, or has suffered damage as a result of inappropriate or abusive use, negligence, an accident, normal wear, or any other cause unrelated to a material or manufacturing defect (including, but not limited to, combining the Thrustmaster product with any unsuitable element, including in particular power supplies, rechargeable batteries, chargers, or any other elements not supplied by Guillemot for this product); (2) if the product has been used for any use other than home use, including for professional or commercial purposes (game rooms, training, competitions, for example); (3) in the event of failure to comply with the instructions provided by Technical Support; (4) to software, said software being subject to a specific warranty; (5) to consumables (elements to be replaced over the product's lifespan: disposable batteries, audio headset or headphone ear pads, for example); (6) to accessories (cables, cases, pouches, bags, wrist-straps, for example); (7) if the product was sold at public auction.

This warranty is nontransferable.

The consumer's legal rights with respect to laws applicable to the sale of consumer goods in his or her country are not affected by this warranty.

Additional warranty provisions

During the warranty period, Guillemot shall not provide, in principle, any spare parts, as Technical Support is the only party authorized to open and/or recondition any Thrustmaster product (with the exception of any reconditioning procedures which Technical Support may request that the consumer carry out, by way of written instructions – for example, due to the simplicity and the lack of confidentiality of the reconditioning process – and by providing the consumer with the required spare part(s), where applicable).

Given its innovation cycles and in order to protect its know-how and trade secrets, Guillemot shall not provide, in principle, any reconditioning notification or spare parts for any Thrustmaster product whose warranty period has expired.

In the United States of America and in Canada, this warranty is limited to the product's internal mechanism and external housing. In no event shall Guillemot or its affiliates be held liable to any third party for any consequential or incidental damages resulting from the breach of any express or implied warranties. Some States/Provinces do not allow limitation on how long an implied warranty lasts or exclusion or limitation of liability for consequential or incidental damages, so the above limitations or exclusions may not apply to you. This warranty gives you specific legal rights, and you may also have other rights which vary from State to State or Province to Province.

Liability

If permitted under applicable law, Guillemot Corporation S.A. (hereinafter "Guillemot") and its subsidiaries disclaim all liability for any damages caused by one or more of the following: (1) the product has been modified, opened or altered; (2) failure to comply with assembly instructions; (3) inappropriate or abusive use, negligence, an accident (an impact, for example); (4) normal wear; (5) the use of the product for any use other than home use, including for professional or commercial purposes (game rooms, training, competitions, for example). If permitted under applicable law, Guillemot and its subsidiaries disclaim all liability for any damages unrelated to a material or manufacturing defect with respect to the product (including, but not limited to, any damages caused directly or indirectly by any software, or by combining the Thrustmaster product with any unsuitable element, including in particular power supplies, rechargeable batteries, chargers, or any other elements not supplied by Guillemot for this product).

DECLARATION OF CONFORMITY

CANADIAN COMPLIANCE NOTICE: this Class B digital apparatus meets all requirements of the Canadian Interference-Causing Equipment Regulations.

USA COMPLIANCE NOTICE: this equipment has been tested and found to comply with the limits for a Class B digital device, pursuant to Part 15 of the FCC rules. Operation is subject to the following two conditions:

- (1) This device may not cause harmful interference, and
- (2) This device must accept any interference received, including interference that may cause undesired operation.

These limits are designed to provide reasonable protection against harmful interference in a residential installation. This equipment generates, uses and can radiate radio frequency energy and, if not installed and used in accordance with the instructions, may cause harmful interference to radio communications. However, there is no guarantee that interference will not occur in a particular installation. If this equipment does cause harmful interference to radio or television reception, which can be determined by turning the equipment on and off, the user is encouraged to try to correct the interference by one or more of the following measures:

- Reorient or relocate the receiving antenna.
- Increase the separation between the equipment and receiver.
- Connect the equipment into an outlet on a circuit different from that to which the receiver is connected.
- Consult the dealer or an experienced radio/TV technician for help.

THRUSTMASTER®

TECHNICAL SUPPORT

<https://support.thrustmaster.com>

UK: 020 3147 4889

US: (866) 889-5036

Canada: 866-889-2181



COPYRIGHT

©2022 Guillemot Corporation S.A. All rights reserved. Thrustmaster® is a registered trademark of Guillemot Corporation S.A. Manufactured and distributed by Guillemot Corporation S.A.

AIRBUS, its logo and trade and service marks are registered trademarks of Airbus. All rights reserved.

©Airbus 2022. All rights reserved. Officially licensed by Airbus.

Microsoft, Xbox, Xbox "Sphere" Design, Xbox Series X|S, Xbox One and Windows 10/11 are trademarks of the Microsoft group of companies.

All other trademarks and brand names are hereby acknowledged and are the property of their respective owners. Contents, design, and specifications are subject to changes without notice and may vary from one country to another. Photos and illustrations not binding. Designed in North America and Europe, made in China.



WARNING: this product can expose you to chemicals including Bisphenol A (BPA), which is known to the State of California to cause birth defects or other reproductive harm. For more information go to www.P65Warnings.ca.gov

ENVIRONMENTAL PROTECTION RECOMMENDATION



* In the European Union, the UK and Turkey: At the end of its working life, this product should not be disposed of with standard household waste, but rather dropped off at a collection point for the disposal of Waste Electrical and Electronic Equipment (WEEE) for recycling.

This is confirmed by the symbol found on the product, user manual or packaging.

Depending on their characteristics, the materials may be recycled. Through recycling and other forms of processing Waste Electrical and Electronic Equipment,

you can make a significant contribution towards helping to protect the environment.

Please contact your local authorities for information on the collection point nearest you.

For all other countries: Please adhere to local recycling laws for electrical and electronic equipment.

Retain this information. Colors and decorations may vary.

Plastic fasteners and adhesives should be removed from the product before it is used.

www.thrustmaster.com

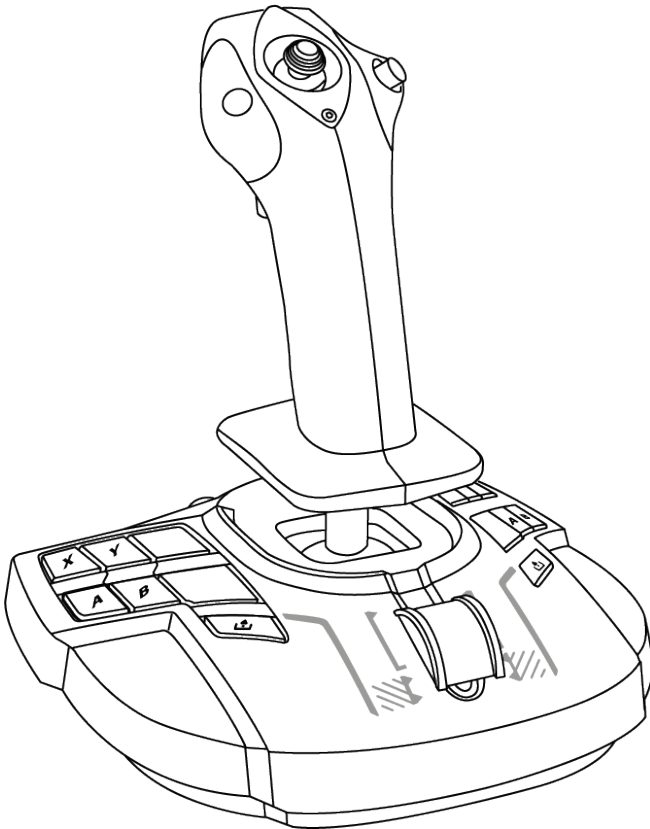
**Applicable to EU, UK and Turkey only*



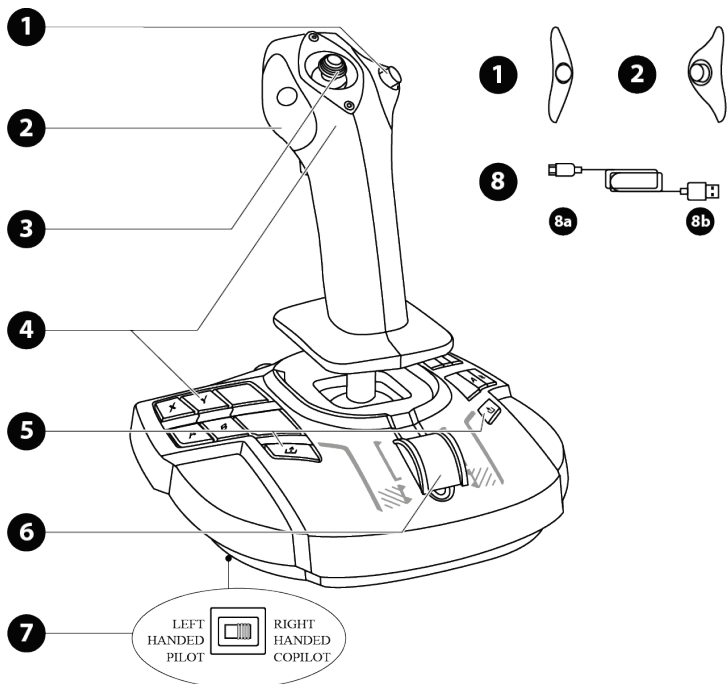
TCA SIDESTICK X AIRBUS EDITION

XBOX SERIES X|S – XBOX ONE – PC

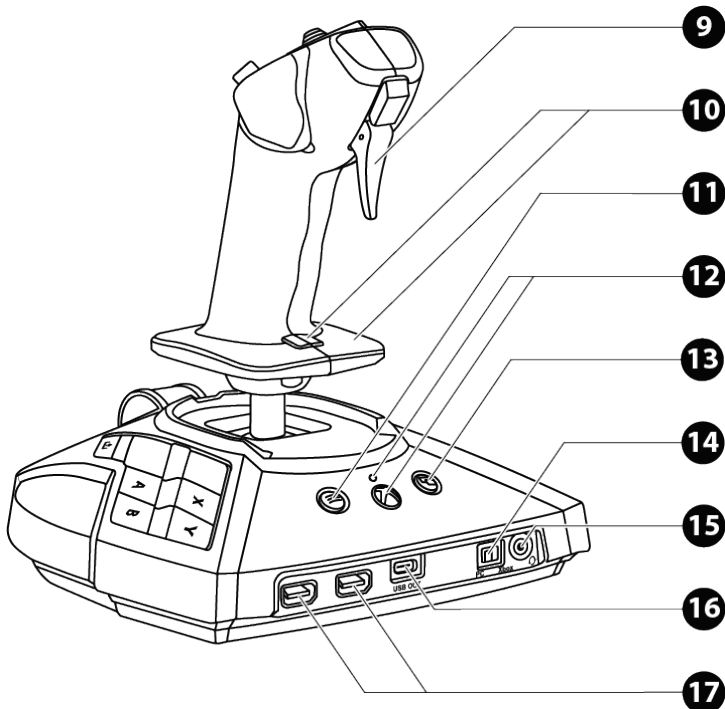
Manuel de l'utilisateur



CARACTÉRISTIQUES TECHNIQUES



1. Modules bouton droit
2. Modules bouton gauche
3. Croix multidirectionnelle point de vue
4. 21 boutons d'action sur Xbox, 22 boutons d'action sur PC
5. Touches Partager (Xbox)
6. Manette des gaz + un bouton virtuel (uniquement sur PC)
7. Sélecteur LEFT HANDED – PILOT (gaucher - pilote) / RIGHT HANDED – COPILOT (droitier - copilote)
8. Câble USB-C (8a) – USB-A (8b)



- 9. Dé détente numérique
- 10. Palonnier par rotation du manche avec repose-main + bouton de verrouillage
- 11. Touche Menu (Xbox)
- 12. Touche Xbox + voyant lumineux
- 13. Touche Affichage (Xbox)
- 14. Sélecteur Xbox / PC
- 15. Prise microphone mini-jack 3,5 mm pour casque audio*
- 16. Port USB Type-C
- 17. Ports USB Type-A pour TCA Quadrant Airbus Edition* ou palonnier TPR*

*vendu séparément

À LA DÉCOUVERTE DE VOTRE JOYSTICK

TECHNOLOGIE DE PRÉCISION EXCLUSIVE

H.E.A.R.T: Halleffect AccuRate Technology

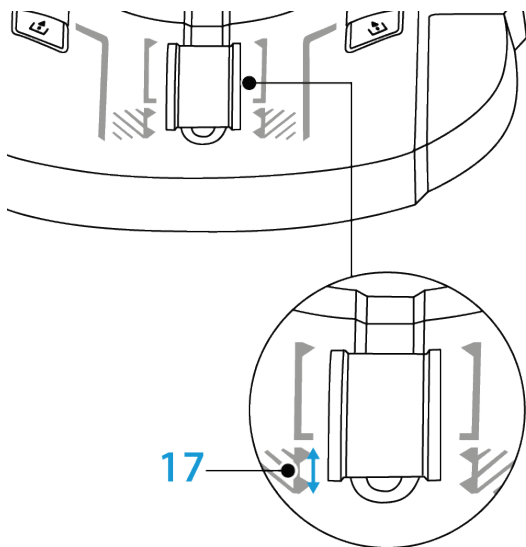
Votre joystick TCA Sidestick X Airbus Edition dispose d'une technologie de précision avec :

- des capteurs magnétiques 3D à effet Hall sur le manche ;
- un aimant pour éviter toute friction et garantir une précision illimitée dans le temps ;
- un ressort de manche hélicoïdal de 2,8 mm, pour une tension ferme, linéaire et ultra fluide.

MANETTE DES GAZ

Votre joystick dispose d'une manette des gaz (6) grâce à laquelle vous pouvez aisément contrôler la poussée de votre moteur.

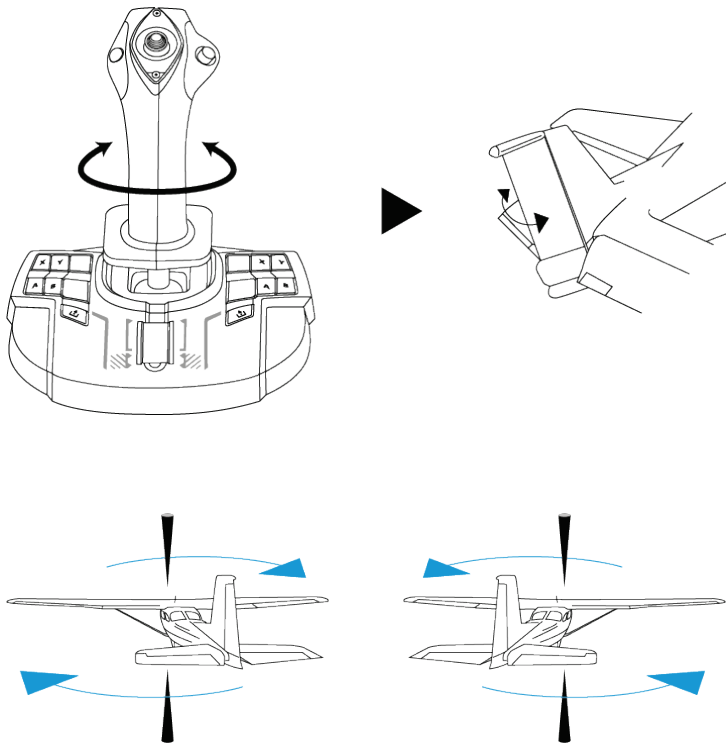
Un bouton virtuel uniquement disponible sur PC (n°17 sur le mapping PC) s'active sur les 20 premiers pourcents afin d'activer les inverseurs de poussée.



FONCTION PALONNIER

Votre joystick dispose d'une fonction palonnier (**10**). Dans un avion, le pilote actionne le palonnier pour braquer la gouverne de direction et faire pivoter l'avion autour de son axe vertical, entraînant ainsi un virage vers la gauche ou la droite.

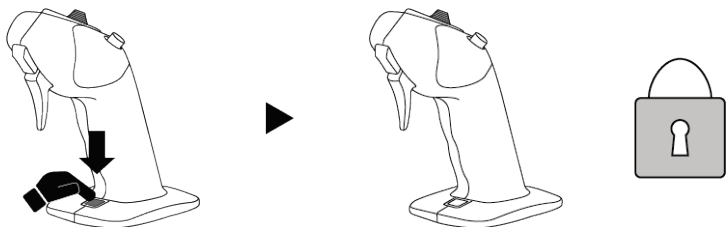
Cette fonction palonnier est accessible sur votre joystick par rotation du manche vers la gauche ou la droite.



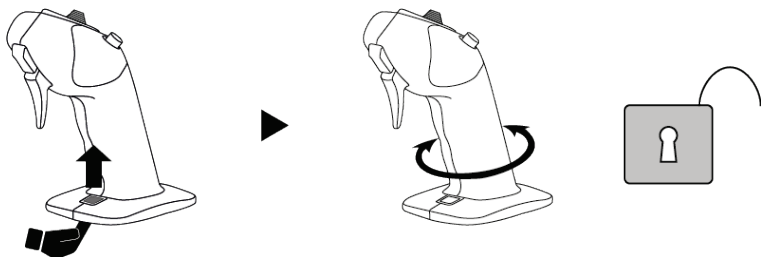
VERROUILLAGE ET DÉVERROUILLAGE DE LA FONCTION PALONNIER

La fonction palonnier est désactivable via le bouton de verrouillage intégré à l'arrière du manche.

Appuyez sur le bouton pour verrouiller l'axe de palonnier.



Remontez le bouton pour déverrouiller l'axe de palonnier.



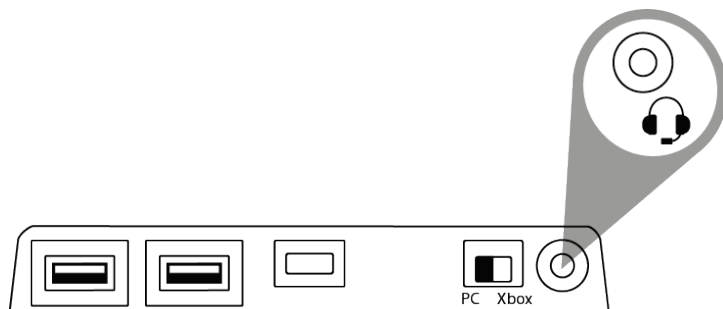
CROIX MULTIDIRECTIONNELLE POINT DE VUE

Votre joystick est doté d'une croix multidirectionnelle point de vue **(3)** qui vous permet de surveiller instantanément tout ce qui se passe autour de votre avion (dans les jeux le permettant). Il vous suffit pour cela, depuis le menu de configuration de votre jeu, de programmer les différentes vues (vue arrière, vue sur la gauche, vue sur la droite, vues externes) sur les directions de la croix multidirectionnelle point de vue.

Vous pouvez réserver la croix multidirectionnelle point de vue à d'autres utilisations (tir, etc.).

PRISE MICROPHONE POUR CASQUE AUDIO

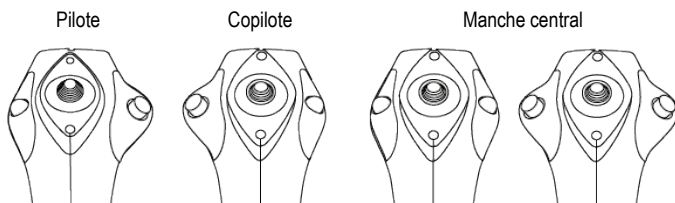
Votre joystick dispose d'une prise microphone mini-jack 3,5 mm **(15)** permettant l'utilisation d'un casque avec microphone pour une expérience plus immersive.



SYSTÈME AMBIDEXTRE ET AJUSTEMENT DES MODULES

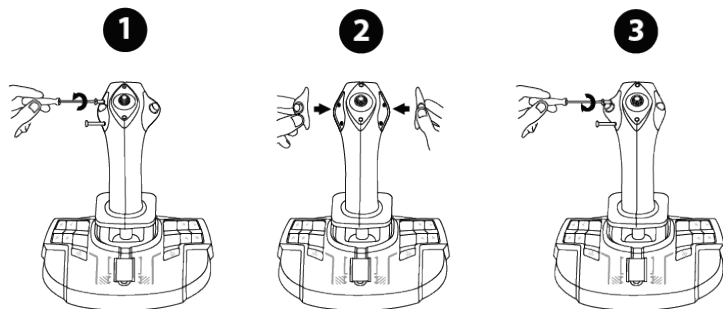
Votre joystick TCA Sidestick X Airbus Edition a l'avantage d'être ambidextre afin de s'adapter parfaitement à tous les joueurs, qu'ils soient droitiers ou gauchers.

Par défaut, le joystick est configuré en mode pilote. Quatre configurations sont possibles :



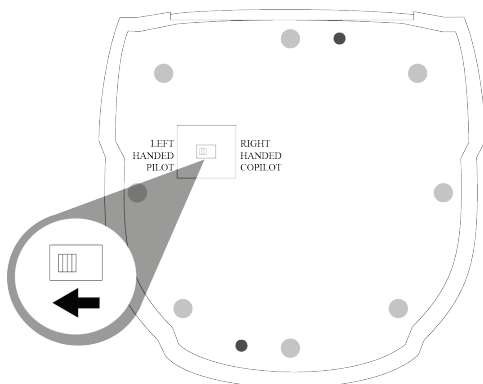
Pour modifier la configuration de votre joystick :

1. À l'aide d'un petit tournevis, dévissez les deux vis de chaque module bouton.
2. Échangez les modules selon la configuration souhaitée.
3. Revissez complètement les vis.



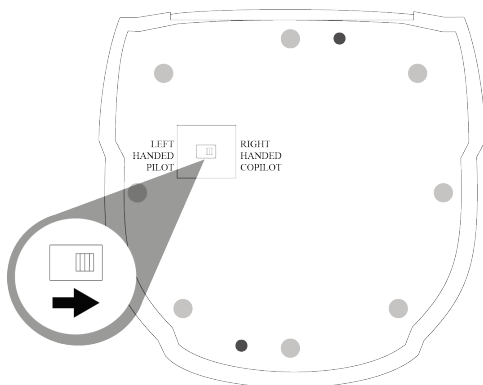
CONFIGURATION DU MANCHE EN MODE GAUCHER (PILOTE)

Pour identifier le joystick en mode GAUCHER (PILOTE), positionnez le sélecteur (7) situé sous la base du joystick sur LEFT HANDED – PILOT avant de le brancher.
Votre produit est reconnu en tant que TCA Sidestick X Pilot.



CONFIGURATION DU MANCHE EN MODE DROITIER (COPILOTE)

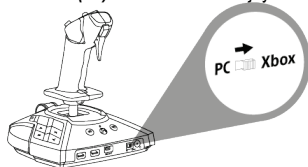
Pour identifier le joystick en mode DROITIER (COPILOTE), positionnez le sélecteur (7) situé sous la base du joystick sur RIGHT HANDED – COPILOT avant de le brancher.
Votre produit est reconnu en tant que TCA Sidestick X Copilot.



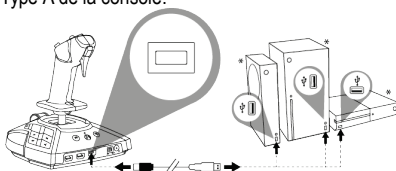
XBOX SERIES X|S / XBOX ONE

INSTALLATION SUR XBOX SERIES X|S* / XBOX ONE*

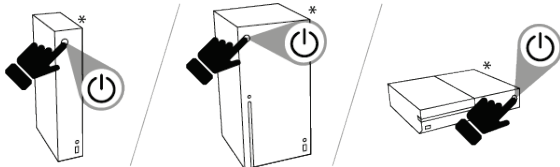
1. Positionnez le sélecteur **(14)** situé à l'arrière du joystick sur la position Xbox.



2. Branchez le câble USB-C – USB-A **(8)** sur le port USB Type-C **(16)** du joystick et sur un port USB Type-A de la console.



3. Allumez votre console.



4. Le voyant lumineux du joystick s'allume en blanc.



5. Lancez un jeu compatible supportant le mode Flight Stick.

Vous êtes maintenant prêt à jouer !

**vendu séparément*

LISTE DES JEUX XBOX SERIES X|S / XBOX ONE COMPATIBLES

Sur Xbox Series X|S* / Xbox One*, le TCA Sidestick X Airbus Edition :

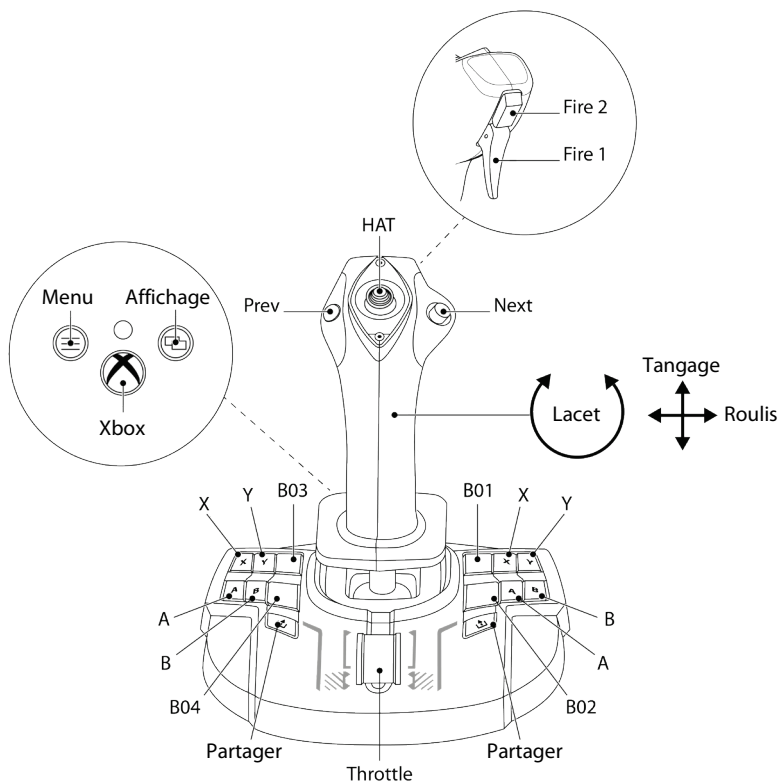
- est uniquement compatible avec les jeux supportant le mode Flight Stick.
- est reconnu dans les jeux comme un joystick et non comme une manette, pour une réactivité et une précision maximales ainsi que pour accéder aux options joystick disponibles dans ces jeux.

La liste des jeux Xbox Series X|S / Xbox One compatibles avec le joystick est disponible sur <https://support.thrustmaster.com> dans la rubrique **Joysticks / TCA Sidestick X Airbus Edition**.

Cette liste s'étoffera régulièrement avec l'arrivée des nouveaux jeux Xbox Series X|S / Xbox One compatibles avec le TCA Sidestick X Airbus Edition.

**vendu séparément*

MAPPING Xbox



CONNECTIVITÉ DU TCA SIDESTICK X AIRBUS EDITION SUR XBOX SERIES X|S* / XBOX ONE*

Le TCA Sidestick X Airbus Edition possède quatre axes, mais offre la possibilité de connecter directement la manette des gaz TCA Quadrant Airbus Edition*, les modules TCA Quadrant Add-On Airbus Edition* et un palonnier TPR* à l'arrière du joystick.

Sur Xbox Series X|S* / Xbox One* uniquement, une seconde manette des gaz peut être connectée au TCA Quadrant Airbus Edition*, permettant au joystick de gérer jusqu'à neuf axes supplémentaires.

Sur Xbox Series X|S* / Xbox One*, les périphériques Thrustmaster compatibles connectés via le port USB Type-A seront fusionnés dans le périphérique TCA Sidestick X Airbus Edition.



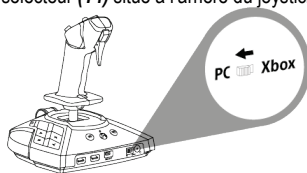
Les seuls périphériques pris en charge sur Xbox Series X|S* / Xbox One* sont le TCA Quadrant Airbus Edition*, le TCA Quadrant Add-On Airbus Edition* et les palonniers TPR* et TFRP*.

**vendu séparément*

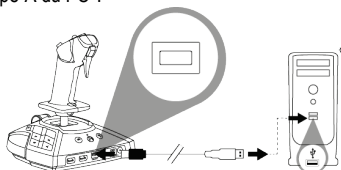
PC

INSTALLATION SUR PC*

1. Allez sur <https://support.thrustmaster.com>. Cliquez sur **Joysticks / TCA Sidestick X Airbus Edition**, puis sélectionnez **Pilotes**. Téléchargez et installez le pilote PC et son interface personnalisée du Control Panel Windows.
2. Positionnez le sélecteur **(14)** situé à l'arrière du joystick sur la position PC.



3. Branchez le câble USB-C – USB-A **(8)** sur le port USB Type-C **(16)** du joystick et sur un port USB Type-A du PC*.



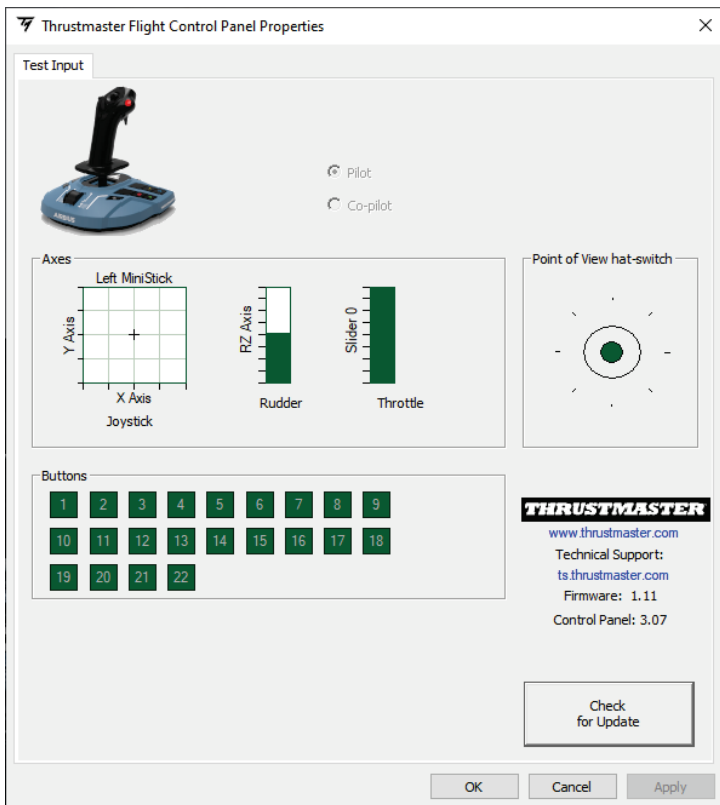
4. Lancez un jeu compatible supportant les périphériques de vol HID.

Vous êtes maintenant prêt à jouer !

**vendu séparément*

INTERFACE PERSONNALISÉE

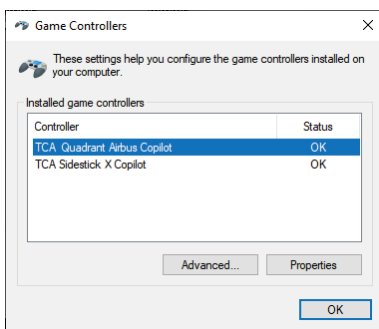
1. Pour accéder à l'interface personnalisée du Control Panel, sélectionnez **Démarrer / Applications / Thrustmaster / Panneau de configuration** (sous Windows® 10/11). La boîte de dialogue **Contrôleurs de jeu** s'affiche. Le périphérique apparaît à l'écran sous le nom **TCA Sidestick X** et l'état **OK**.
2. Dans la boîte de dialogue **Contrôleurs de jeu**, cliquez sur **Propriétés** pour tester et visualiser l'ensemble des fonctions.



CONNECTIVITÉ DU TCA SIDESTICK X AIRBUS EDITION SUR PC*

Le TCA Sidestick X Airbus Edition possède quatre axes, mais offre la possibilité de connecter directement la manette des gaz TCA Quadrant Airbus Edition*, les modules TCA Quadrant Add-On Airbus Edition* et un palonnier TPR* à l'arrière du joystick.

Lorsque le TCA Quadrant Airbus Edition* et les palonniers TPR* ou TFRP* sont connectés, ils apparaissent indépendamment dans la boîte de dialogue **Contrôleurs de jeu** en tant que périphériques virtuels :

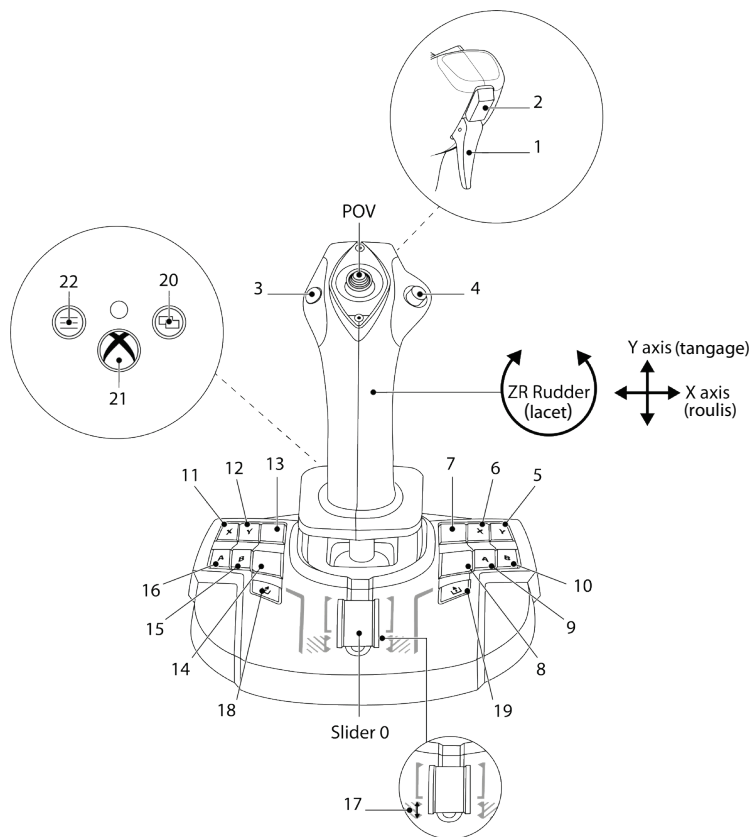


Connexion des palonniers TPR* et TFRP* :

- L'installation du pilote est obligatoire pour le bon fonctionnement des périphériques.
- Si le palonnier est connecté au joystick ou à la manette des gaz reliée au joystick, les trois axes du palonnier sont fusionnés dans le quadrant virtuel (TCA Quadrant Airbus Copilot).

*vendu séparément

MAPPING PC

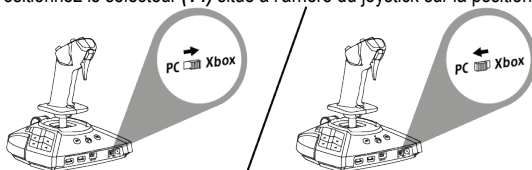


INSTALLATION DU TCA SIDESTICK X AIRBUS EDITION COMBINÉ AUX TCA QUADRANT AIRBUS EDITION* ET AUX PALONNIERS TPR* ET TFRP*

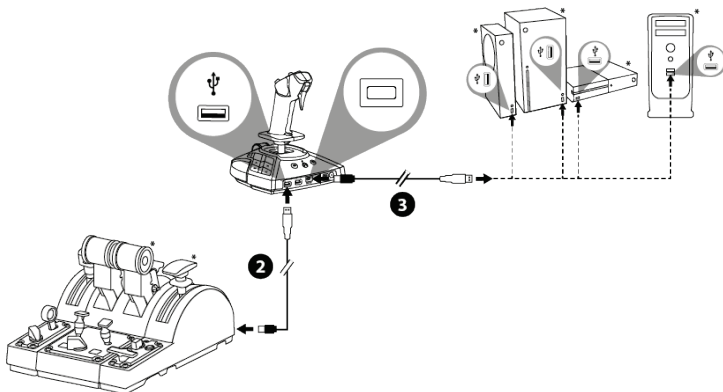
MANETTE DES GAZ ET MODULES ADD-ON

Le TCA Quadrant Airbus Edition* associé aux modules TCA Quadrant Add-On Airbus Edition* se branche sur le joystick.

1. Positionnez le sélecteur **(14)** situé à l'arrière du joystick sur la position Xbox ou PC.



2. Branchez un câble USB-C – USB-A **(8)** sur le port USB Type-C de la manette des gaz et sur un port USB Type-A **(17)** situé à l'arrière du joystick.
3. Branchez un deuxième câble USB-C – USB-A **(8)** sur le port USB Type-C **(16)** du joystick et sur un port USB Type-A de la console ou du PC.



*vendu séparément

PALONNIER

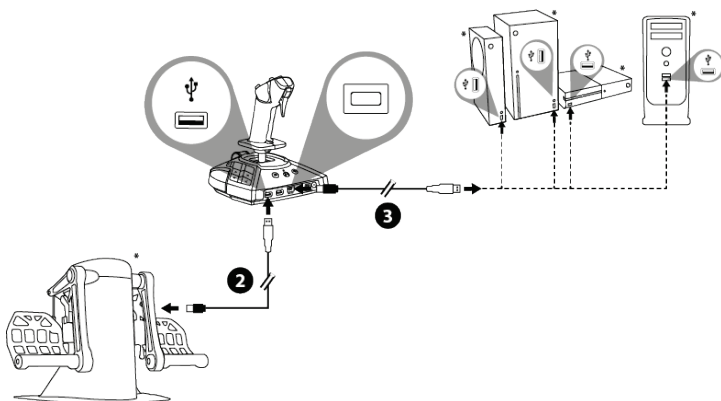
Trois axes sont réservés aux palonniers TPR* et TFRP*.

Le palonnier **TPR*** se branche sur le joystick.

1. Positionnez le sélecteur **(14)** situé à l'arrière du joystick sur la position Xbox ou PC.



2. Branchez le câble USB-A – USB-B du palonnier sur le port USB Type-B du palonnier et sur un port USB Type-A **(17)** situé à l'arrière du joystick.
3. Branchez le câble USB-C – USB-A **(8)** sur le port USB Type-C **(16)** du joystick et sur un port USB Type-A de la console ou du PC.



Sur Xbox Series X|S* / Xbox One*, il est impossible de brancher un palonnier TPR* lorsque deux manettes des gaz TCA Quadrant Airbus Edition* sont déjà branchées sur le TCA Sidestick X Airbus Edition.

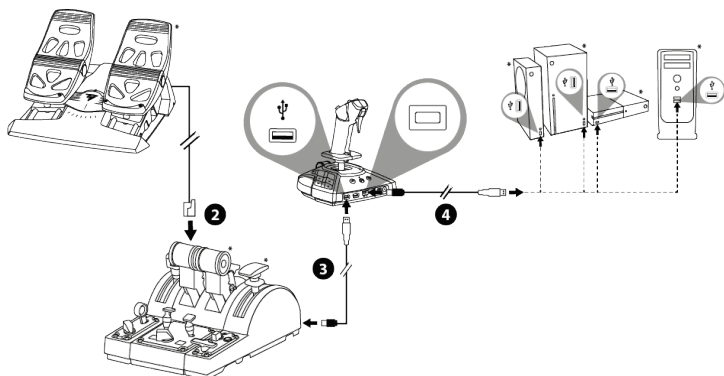
*vendu séparément

Le palonnier TFRP* se branche sur la manette des gaz lorsque vous utilisez le TCA Quadrant Airbus Edition*.

1. Positionnez le sélecteur **(14)** situé à l'arrière du joystick sur la position Xbox ou PC.



2. Branchez le connecteur RJ12 du palonnier sur le port RJ12 situé à l'arrière de la manette des gaz TCA Quadrant Airbus Edition*.
3. Branchez un câble USB-C – USB-A **(8)** sur le port USB Type-C de la manette des gaz et sur un port USB Type-A **(17)** situé à l'arrière du joystick.
4. Branchez un deuxième câble USB-C – USB-A **(8)** sur le port USB Type-C **(16)** du joystick et sur un port USB Type-A de la console ou du PC.



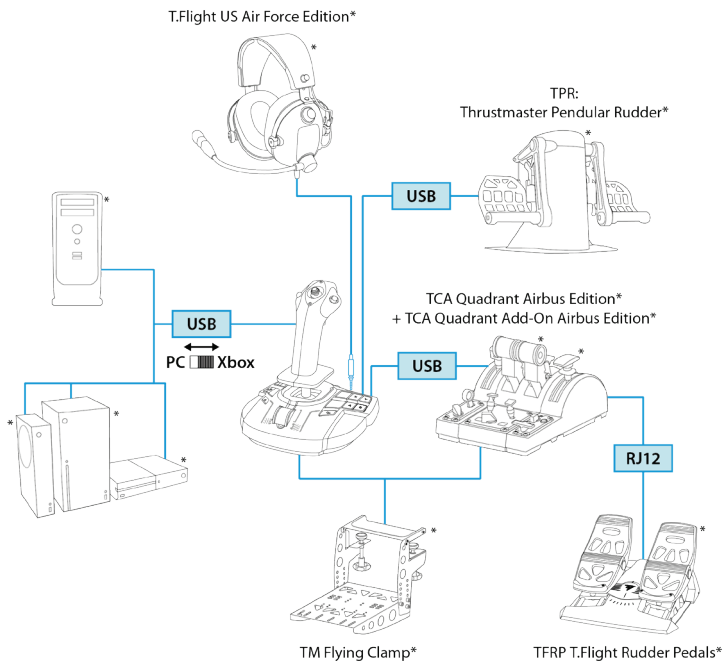
Calibration automatique des axes :

- Lorsque vous branchez le palonnier sur le joystick ou la manette des gaz, laissez toujours l'axe du palonnier centré. Ne posez pas les pieds sur le palonnier.
- Les trois axes des pédales se calibrent automatiquement après quelques mouvements et une fois que les butées physiques de l'axe du palonnier et des deux axes de freins différentiels sont atteintes.

*vendu séparément

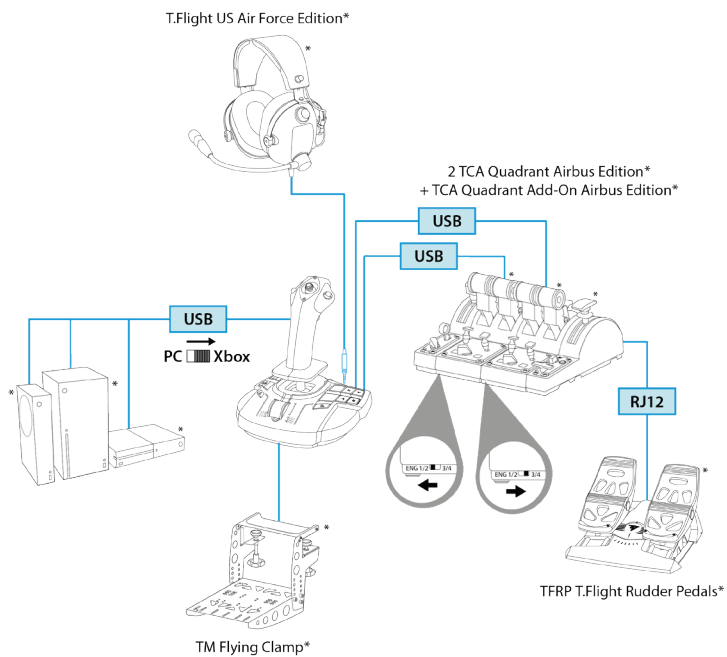
BRANCHEMENT DU TCA SIDESTICK X AIRBUS EDITION AVEC L'ENSEMBLE DES PRODUITS COMPATIBLES

XBOX SERIES X|S – XBOX ONE – PC



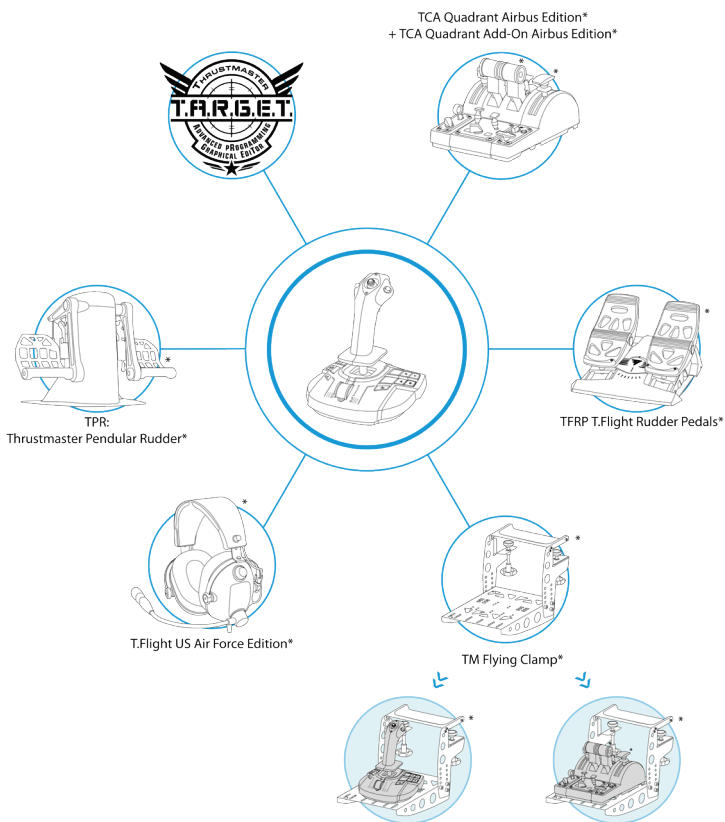
*vendu séparément

XBOX SERIES X|S – XBOX ONE



*vendu séparément

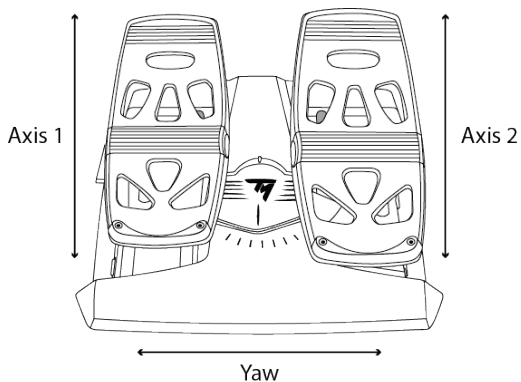
ÉCOSYSTÈME TCA



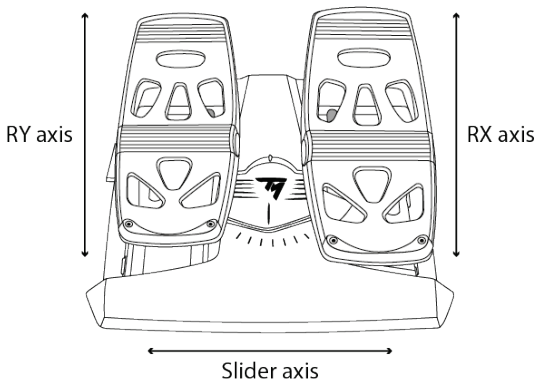
*vendu séparément

MAPPING DU PALONNIER TFRP* CONNECTÉ AU TCA SIDESTICK X AIRBUS EDITION VIA LE TCA QUADRANT AIRBUS EDITION*

MAPPING XBOX



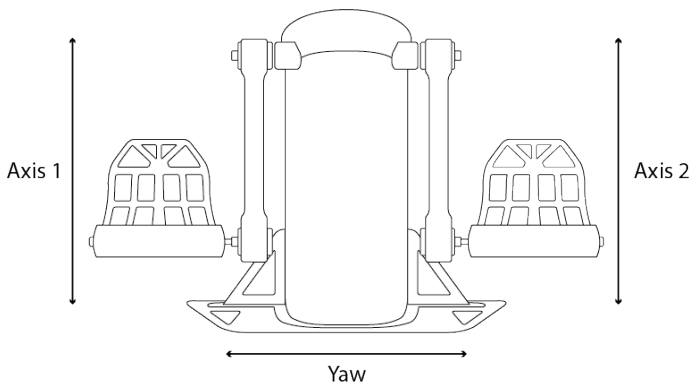
MAPPING PC



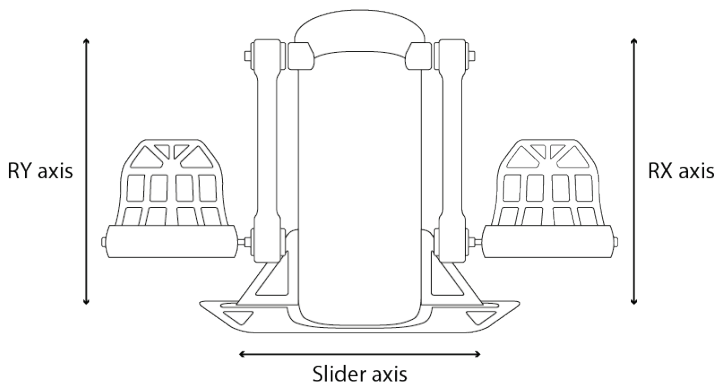
**vendu séparément*

MAPPING DU PALONNIER TPR* CONNECTÉ AU TCA SIDESTICK X AIRBUS EDITION

MAPPING XBOX



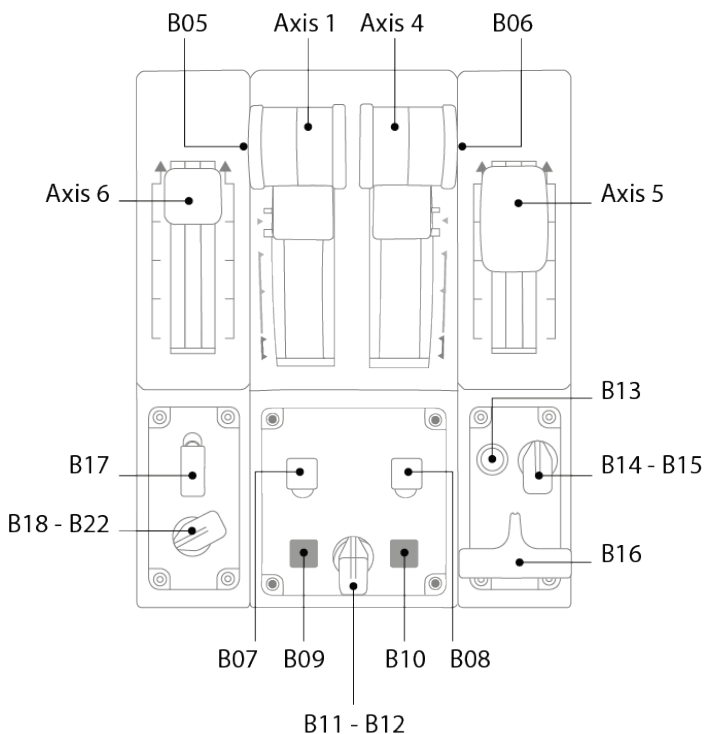
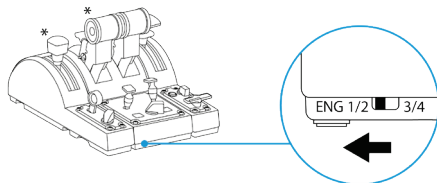
MAPPING PC



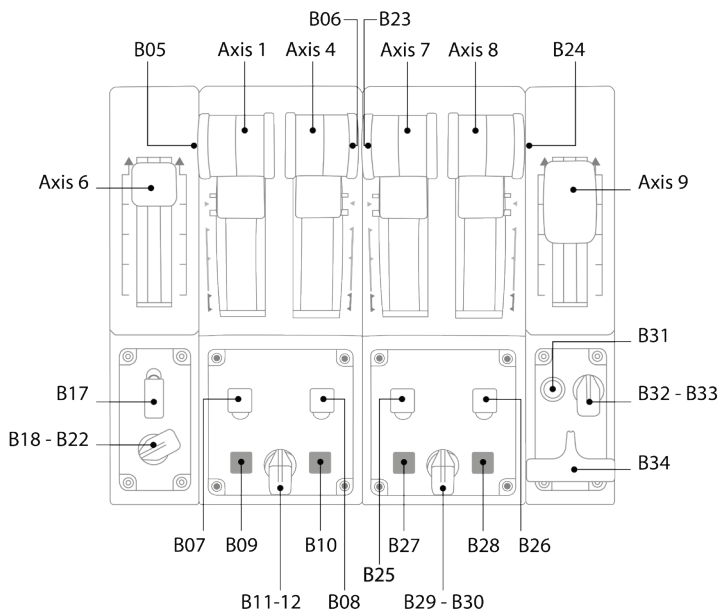
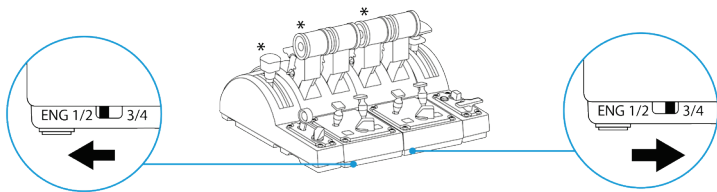
*vendu séparément

MAPPING DU TCA QUADRANT AIRBUS EDITION* ET DU TCA QUADRANT ADD-ON AIRBUS EDITION* CONNECTÉS AU TCA SIDESTICK X AIRBUS EDITION

MAPPING XBOX

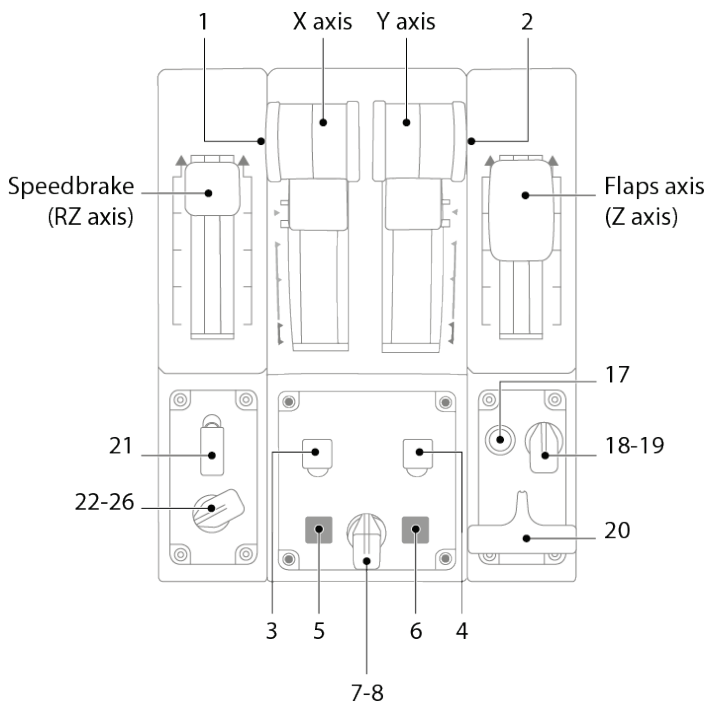
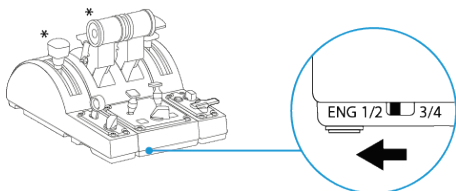


*vendu séparément



*vendu séparément

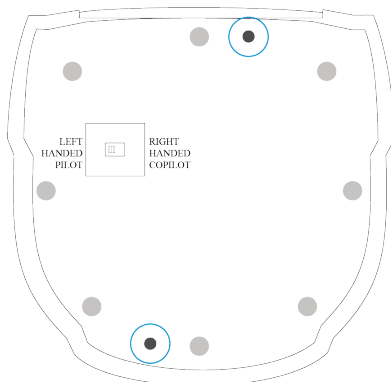
MAPPING PC



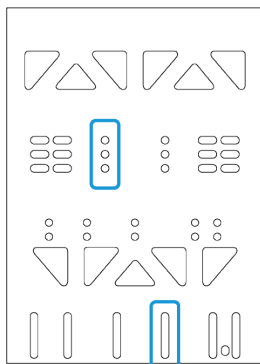
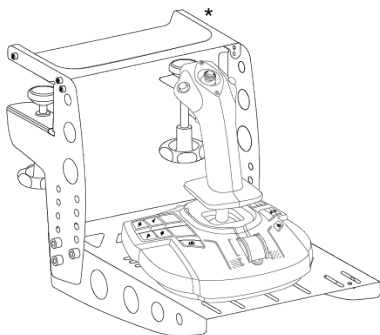
**vendu séparément*

INSTALLATION DU TCA SIDESTICK X AIRBUS EDITION SUR LE TM FLYING CLAMP*, UN COCKPIT OU UN AUTRE SUPPORT FIXÉ

Vous pouvez utiliser les deux perforations situées en dessous du TCA Sidestick X Airbus Edition pour fixer le joystick sur un support fixe à l'aide de vis M6 (non fournies).



INSTALLATION DU TCA SIDESTICK X AIRBUS EDITION SUR LE TM FLYING CLAMP* :



*vendu séparément

MISE À JOUR DU FIRMWARE DU TCA SIDESTICK X AIRBUS EDITION

Le firmware inclus dans le joystick peut être mis à jour afin d'obtenir des améliorations du produit.

Pour afficher la version du firmware de votre joystick et le mettre à jour si nécessaire, sur PC, allez sur <https://support.thrustmaster.com>. Cliquez sur **Joysticks / TCA Sidestick X Airbus Edition / Firmware**, puis suivez les instructions et la procédure de téléchargement et d'installation.



Les seuls périphériques pris en charge sont la manette des gaz TCA Quadrant Airbus Edition* combinée aux modules TCA Quadrant Add-On Airbus Edition* et les palonniers TPR* et TFRP*.

Vous êtes maintenant prêt à jouer !

**vendu séparément*

LOGICIEL DE PROGRAMMATION AVANCÉE T.A.R.G.E.T (Thrustmaster Advanced pRogramming Graphical EdiTor)

T.A.R.G.E.T (Thrustmaster Advanced pRogramming Graphical EdiTor) est une suite logicielle innovante et performante permettant d'améliorer la plupart des contrôleurs de vol Thrustmaster et de partager des profils avec la communauté Thrustmaster.

TÉLÉCHARGEMENT DE T.A.R.G.E.T

Allez sur <https://support.thrustmaster.com>. Cliquez sur **Joysticks / TCA Sidestick X Airbus Edition**, puis sélectionnez **Logiciel**. Téléchargez et installez le logiciel de programmation avancée T.A.R.G.E.T.

PRINCIPALES CARACTÉRISTIQUES DE T.A.R.G.E.T

- Diverses configurations possibles des axes.
- Plusieurs niveaux de programmation possibles : Basic, Advanced et Script.
- Utilisation du principe Drag and Drop.
- Fusion possible du TCA Sidestick X Airbus Edition avec les autres joysticks Thrustmaster (Hotas Cougar*, Hotas Warthog*, T.16000M*, MFD Cougar Pack*, également compatibles avec T.A.R.G.E.T) permettant la reconnaissance d'un seul périphérique USB.
- Accès aux profils avancés créés par la communauté Thrustmaster.



*vendu séparément

REMARQUES IMPORTANTES

Lorsque vous branchez votre joystick, laissez toujours le manche et le palonnier centrés et évitez de les déplacer pour éviter tout problème de calibration.

DÉPANNAGE ET AVERTISSEMENT

Mon joystick ne fonctionne pas correctement ou semble mal calibré.

- Vérifiez que le sélecteur (**14**) est dans la bonne position (Xbox ou PC) avant de brancher le câble USB sur la console ou le PC.
- Éteignez votre console ou votre PC, déconnectez votre joystick, rebranchez et relancez votre jeu.
- Lorsque vous branchez votre joystick, laissez le manche et le palonnier centrés et évitez de les déplacer pour éviter tout problème de calibration.

Je n'arrive pas à configurer mon joystick.

- Dans le menu **Options / Contrôleur / Manettes** ou **Joystick** de votre jeu, choisissez la configuration appropriée ou reconfigurez complètement les options du contrôleur.
- Reportez-vous au manuel de l'utilisateur ou à l'aide en ligne de votre jeu pour plus d'informations.

Mon joystick est trop ou pas assez sensible.

- Le TCA Sidestick X Airbus Edition s'auto-calibre de manière autonome après quelques mouvements effectués sur les différents axes.
- Dans le menu **Options / Contrôleur / Manettes** ou **Joystick** de votre jeu, ajustez la sensibilité et les zones mortes de votre contrôleur (si l'option est disponible).

Le microphone du TCA Sidestick X Airbus Edition ne fonctionne pas.

- Le TCA Sidestick X Airbus Edition contient un périphérique audio USB. Lors de la première connexion d'un périphérique audio USB à Windows, le volume par défaut de tous les microphones est défini sur 0.
- Pour résoudre le problème, accédez aux paramètres audios de Windows du microphone TCA Sidestick X Airbus Edition et réglez le niveau audio sur 100 %.

Sur PC, les périphériques connectés ne fonctionnent pas.

- Installez le pilote PC. Allez sur <https://support.thrustmaster.com>. Cliquez sur **Joysticks / TCA Sidestick X Airbus Edition**, puis sélectionnez **Pilotes**. Téléchargez et installez le pilote PC et son interface personnalisée du Control Panel Windows.



Ce périphérique est destiné à un usage de jeu de divertissement uniquement. Il est strictement interdit de l'utiliser dans le cadre d'activités de formation professionnelle.

INFORMATIONS RELATIVES À LA GARANTIE AUX CONSOMMATEURS

Dans le monde entier, Guillemot Corporation S.A., ayant son siège social Place du Granier, B.P. 97143, 35571 Chantepie, France (ci-après « Guillemot ») garantit au consommateur que le présent produit Thrustmaster est exempt de défaut matériel et de vice de fabrication, et ce, pour une période de garantie qui correspond au délai pour intenter une action en conformité de ce produit. Dans les pays de l'Union Européenne, ce délai est de deux (2) ans à compter de la délivrance du produit Thrustmaster. Dans les autres pays, la durée de la période de garantie correspond au délai pour intenter une action en conformité du produit Thrustmaster selon la législation en vigueur dans le pays où le consommateur avait son domicile lors de l'achat du produit Thrustmaster (si une telle action en conformité n'existe pas dans ce pays alors la période de garantie est de un (1) an à compter de la date d'achat d'origine du produit Thrustmaster).

Si, au cours de la période de garantie, le produit semble défectueux, contactez immédiatement le Support Technique qui vous indiquera la procédure à suivre. Si le défaut est confirmé, le produit devra être retourné à son lieu d'achat (ou tout autre lieu indiqué par le Support Technique).

Dans le cadre de la garantie, le consommateur bénéficiera, au choix du Support Technique, d'un remplacement ou d'une remise en état de marche du produit défectueux. Si, pendant la période de garantie, le produit Thrustmaster fait l'objet d'une telle remise en état, toute période d'immobilisation d'au moins sept jours vient s'ajouter à la durée de la garantie qui restait à courir (cette période court à compter de la demande d'intervention du consommateur ou de la mise à disposition pour remise en état du produit en cause, si cette mise à disposition est postérieure à la demande d'intervention). Lorsque la loi applicable l'autorise, toute responsabilité de Guillemot et ses filiales (y compris pour les dommages indirects) se limite à la remise en état de marche ou au remplacement du produit Thrustmaster. Lorsque la loi applicable l'autorise, Guillemot exclut toutes garanties de qualité marchande ou d'adaptation à un usage particulier.

Cette garantie ne s'appliquera pas : (1) si le produit a été modifié, ouvert, altéré, ou a subi des dommages résultant d'une utilisation inappropriée ou abusive, d'une négligence, d'un accident, de l'usure normale, ou de toute autre cause non liée à un défaut matériel ou à un vice de fabrication (y compris, mais non limitativement, une combinaison du produit Thrustmaster avec tout élément inadapté, notamment alimentations électriques, batteries, chargeurs, ou tous autres éléments non-fournis par Guillemot pour ce produit) ; (2) si le produit a été utilisé en dehors du cadre privé, à des fins professionnelles ou commerciales (salles de jeu, formations, compétitions, par exemple). (3) en cas de non-respect des instructions du Support Technique ; (4) aux logiciels, lesdits logiciels faisant l'objet d'une garantie spécifique ; (5) aux consommables (éléments à remplacer pendant la durée de vie du produit : piles, coussinets de casque audio, par exemple) ; (6) aux accessoires (câbles, étuis, housses, sacs, dragonnes, par exemple) ; (7) si le produit a été vendu aux enchères publiques.

Cette garantie n'est pas transférables.

Les droits légaux du consommateur au titre de la législation applicable dans son pays à la vente de biens de consommation ne sont pas affectés par la présente garantie.

Par exemple, en France, indépendamment de la présente garantie, le vendeur reste tenu de la garantie légale de conformité mentionnée aux articles L. 217-4 à L.217-12 du code de la consommation et de celle relative aux défauts (vices cachés) de la chose vendue, dans les conditions prévues aux articles 1641 à 1648 et 2232 du code civil. La loi applicable (c'est-à-dire la loi française) impose de reproduire les extraits de la loi française suivants :

Article L. 217-4 du code de la consommation :

Le vendeur livre un bien conforme au contrat et répond des défauts de conformité existant lors de la délivrance.

Il répond également des défauts de conformité résultant de l'emballage, des instructions de montage ou de l'installation lorsque celle-ci a été mise à sa charge par le contrat ou a été réalisée sous sa responsabilité.

Article L. 217-5 du code de la consommation :

Le bien est conforme au contrat :

1° S'il est propre à l'usage habituellement attendu d'un bien semblable et, le cas échéant :

- s'il correspond à la description donnée par le vendeur et possède les qualités que celui-ci a présentées à l'acheteur sous forme d'échantillon ou de modèle ;

- s'il présente les qualités qu'un acheteur peut légitimement attendre eu égard aux déclarations publiques faites par le vendeur, par le producteur ou par son représentant, notamment dans la publicité ou l'étiquetage ;

2° Ou s'il présente les caractéristiques définies d'un commun accord par les parties ou est propre à tout usage spécial recherché par l'acheteur, porté à la connaissance du vendeur et que ce dernier a accepté.

Article L. 217-12 du code de la consommation :

L'action résultant du défaut de conformité se prescrit par deux ans à compter de la délivrance du bien.

Article L. 217-16 du code de la consommation :

Lorsque l'acheteur demande au vendeur, pendant le cours de la garantie commerciale qui lui a été consentie lors de l'acquisition ou de la réparation d'un bien meuble, une remise en état couverte par la garantie, toute période d'immobilisation d'au moins sept jours vient s'ajouter à la durée de la garantie qui restait à courir.

Cette période court à compter de la demande d'intervention de l'acheteur ou de la mise à disposition pour réparation du bien en cause, si cette mise à disposition est postérieure à la demande d'intervention.

Article L. 1641 du code civil :

Le vendeur est tenu de la garantie à raison des défauts cachés de la chose vendue qui la rendent impropre à l'usage auquel on la destine, ou qui diminuent tellement cet usage que l'acheteur ne l'aurait pas acquise, ou n'en aurait donné qu'un moindre prix, s'il les avait connus.

Article L. 1648 alinéa 1^{er} du code civil :

L'action résultant des vices rédhibitoires doit être intentée par l'acquéreur dans un délai de deux ans à compter de la découverte du vice.

Stipulations additionnelles à la garantie

Pendant la période de garantie, Guillemot ne fournira, en principe, pas de pièce détachée car le Support Technique est seul habilité tant à ouvrir qu'à remettre en état tout produit Thrustmaster (à l'exception des remises en état que le Support Technique demanderait, par instructions écrites, au consommateur d'effectuer -par exemple en raison de la simplicité et de l'absence de confidentialité du processus de remise en état-, en lui fournissant, le cas échéant, la ou les pièces détachées nécessaires).

Compte tenu de ses cycles d'innovation et pour préserver ses savoir-faire et secrets, Guillemot ne fournira, en principe, ni notice de remise en état, ni pièce détachée pour tout produit Thrustmaster dont la période de garantie est expirée.

Aux États-Unis d'Amérique et au Canada, la présente garantie est limitée au mécanisme interne et au boîtier externe du produit. En aucun cas, Guillemot ou ses sociétés affiliées ne sauraient être tenues responsables envers qui que ce soit de tous dommages indirects ou dommages accessoires résultant du non-respect des garanties expresses ou implicites. Certains États/Provinces n'autorisent pas la limitation sur la durée d'une garantie implicite, ou l'exclusion ou la limitation de responsabilité pour les dommages indirects ou accessoires, de sorte que les limitations ou exclusions ci-dessus peuvent ne pas vous être applicables. Cette garantie vous confère des droits spécifiques ; vous pouvez également bénéficier d'autres droits qui peuvent différer d'un État/Province à l'autre.

Responsabilité

Lorsque la loi applicable l'autorise, Guillemot Corporation S.A. (ci-après « Guillemot ») et ses filiales excluent toute responsabilité pour tous dommages causés par un ou plusieurs des faits suivants: (1) le produit a été modifié, ouvert, altéré, (2) l'irrespect des instructions de montage, (3) l'utilisation inappropriée ou abusive, la négligence, l'accident (un choc, par exemple), (4) l'usure normale du produit, (5) l'utilisation du produit en dehors du cadre privé, à des fins professionnelles ou commerciales (salles de jeu, formations, compétitions, par exemple). Lorsque la loi applicable l'autorise, Guillemot et ses filiales excluent toute responsabilité pour tout dommage dont la cause n'est pas liée à un défaut matériel ou à un vice de fabrication du produit (y compris, mais non limitativement, tout dommage causé directement ou indirectement par tout logiciel, ou par une combinaison du produit Thrustmaster avec tout élément inadapté, notamment alimentations électriques, batteries, chargeurs, ou tous autres éléments non-fournis par Guillemot pour ce produit).

THRUSTMASTER®

SUPPORT TECHNIQUE

<https://support.thrustmaster.com>



Déclaration de conformité

UTILISATEURS CANADIENS :

Cet appareil numérique de la classe B respecte toutes les exigences du Règlement sur le matériel brouilleur du Canada.

COPYRIGHT

© 2022 Guillemot Corporation S.A. Tous droits réservés. Thrustmaster® est une marque déposée de Guillemot Corporation S.A.

AIRBUS, son logo et les marques de produit et de service sont des marques déposées d'Airbus. Tous droits réservés. © Airbus 2022. Tous droits réservés. Sous licence officielle Airbus.

Microsoft, Xbox, le design de la « Sphère » Xbox, Xbox Series X|S, Xbox One et Windows 10/11 sont des marques du groupe Microsoft.

Toutes les autres marques sont la propriété de leurs propriétaires respectifs. Illustrations non contractuelles. Le contenu, la conception et les spécifications sont susceptibles de changer sans préavis et de varier selon les pays. Fabriqué en Chine.

RECOMMANDATION RELATIVE À LA PROTECTION DE L'ENVIRONNEMENT



* Dans l'Union Européenne : En fin de vie, ce produit ne doit pas être éliminé avec les déchets ménagers normaux mais déposé à un point de collecte des déchets d'équipements électriques et électroniques en vue de son recyclage.

Ceci est confirmé par le symbole figurant sur le produit, le manuel utilisateur ou l'emballage.

En fonction de leurs caractéristiques, les matériaux peuvent être recyclés. Par le recyclage et par les autres formes de valorisation des déchets d'équipements électriques et électroniques, vous contribuez de manière significative à la protection de l'environnement. Veuillez consulter les autorités locales qui vous indiqueront le point de collecte concerné.

Dans les autres pays : Veuillez vous reporter aux législations locales relatives au recyclage des équipements électriques et électroniques.

Informations à conserver. Les couleurs et décorations peuvent varier.

Il est recommandé de retirer les attaches en plastique et les adhésifs avant d'utiliser le produit.

www.thrustmaster.com

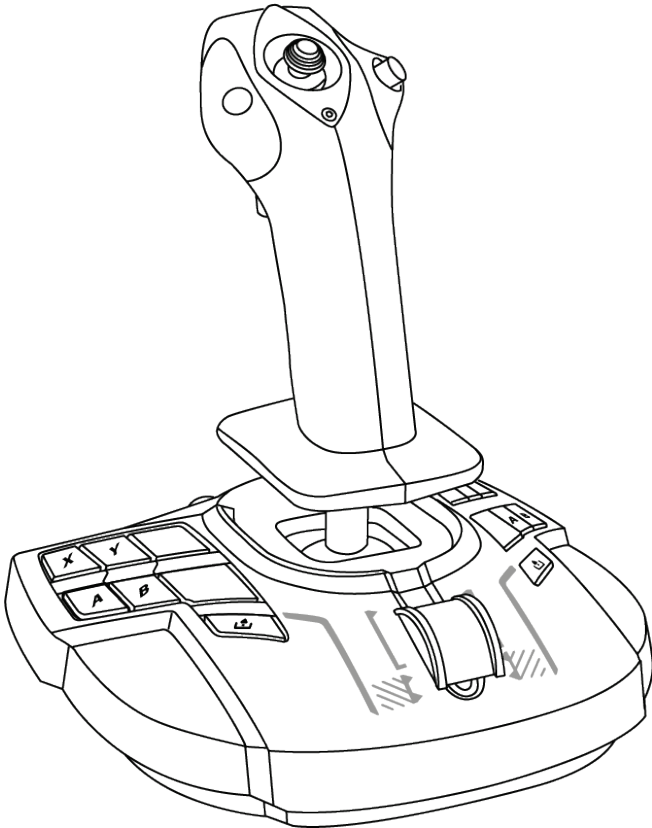
**Applicable à l'UE, au RU et la Turquie uniquement*



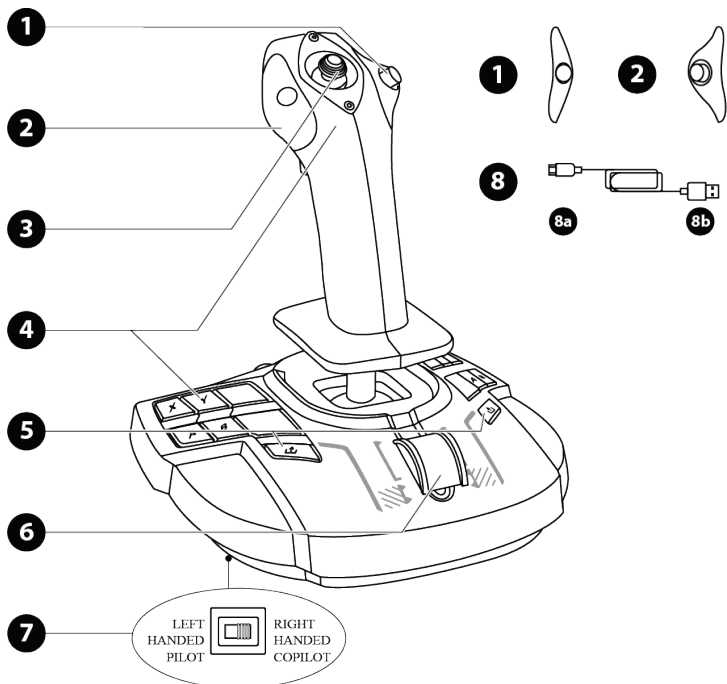
TCA SIDESTICK X AIRBUS EDITION

XBOX SERIES X|S – XBOX ONE – PC

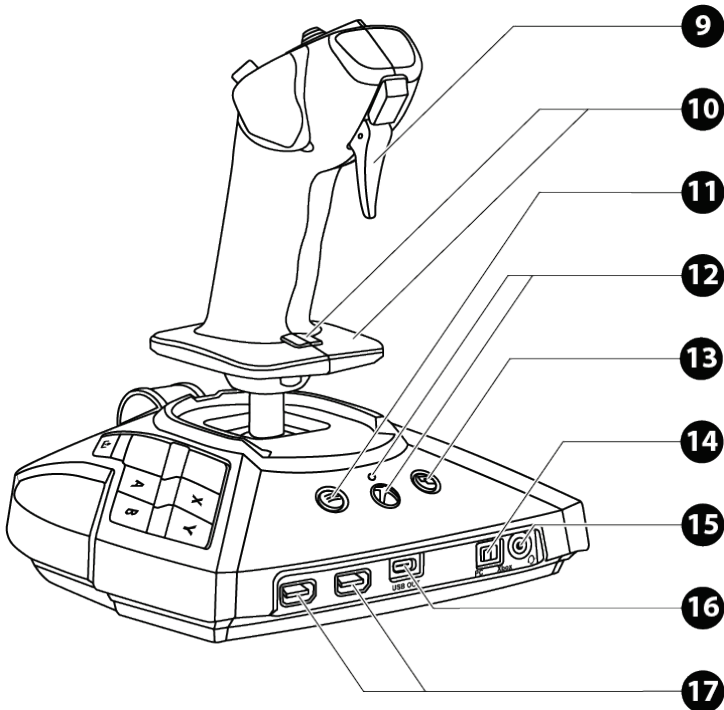
Benutzerhandbuch



TECHNISCHE MERKMALE



1. Tastenmodul rechts
2. Tastenmodul links
3. Mehrwege-“Point of View“-Kopfschalter
4. 21 Action-Buttons bei Xbox, 22 Action-Buttons bei PC
5. Share-Taste (Xbox)
6. Schubregler + eine virtuelle Taste (nur bei PC)
7. Auswahlschalter: LEFT HANDED — PILOT (linkshändig – Pilot) / RIGHT HANDED — COPILOT (rechtshändig – Co-Pilot)
8. USB-C (8a) – USB-A- (8b) Kabel



- 9. Digitaler Trigger
- 10. Drehruder mit drehbarem Steuerknüppel mit Handablage + Verschlussystem
- 11. Menü-Taste (Xbox)
- 12. Xbox-Taste + LED
- 13. View-Taste (Xbox)
- 14. Xbox- / PC-Wählschalter
- 15. 3,5-mm-Miniklinken-Mikrofonanschluss für Gaming-Headset*
- 16. USB-C-Anschluss
- 17. USB-A-Anschluss für TCA Quadrant Airbus Edition* oder TPR-Steuerruder*

* separat erhältlich

DEN JOYSTICK KENNENLERNEN

EXKLUSIVE PRÄZISIONS-TECHNOLOGIE

H.E.A.R.T: Halleffect AccuRate Technology

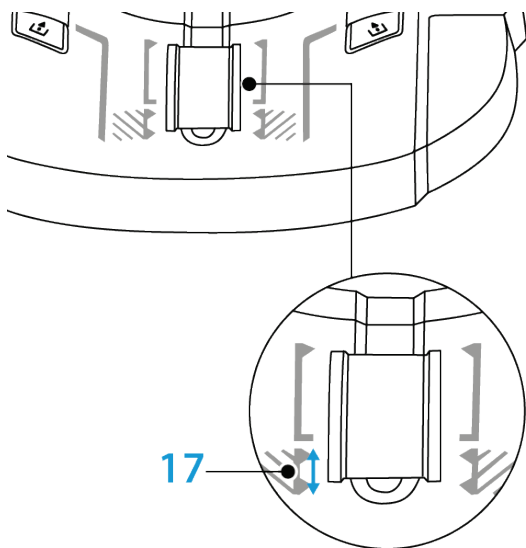
Ihr TCA Sidestick X Airbus Edition-Joystick verfügt über Hochpräzisions-Technologie mit:

- 3D- (Hall effect) Magnetsensoren am Stick;
- einem Magneten: keine Reibung, für unbegrenzte Präzision und unglaubliche Reaktionsfähigkeit, die nicht nachlässt;
- einer Sprungfeder am Joystick (2,8 mm): für kräftiges, lineares und besonders flüssiges Feedback.

SCHUBHEBEL

Der Joystick verfügt über einen Schubhebel (6), mit dem der Turbinenschub des Luftfahrzeugs ganz einfach gesteuert werden kann.

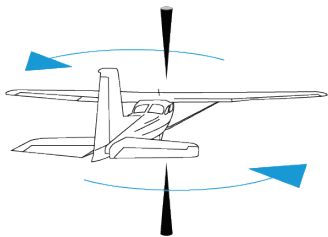
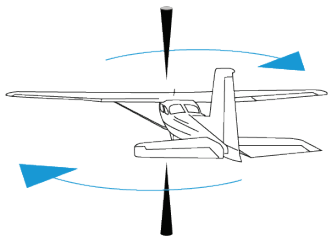
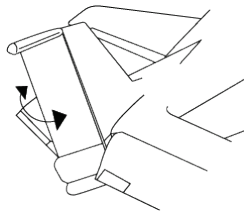
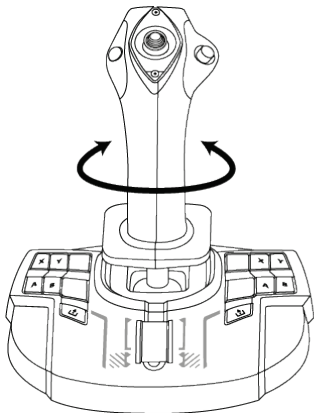
Eine virtuelle Taste, die nur auf dem PC verfügbar ist (Nummer 17 im PC-Mapping), ermöglicht die Aktivierung der Schubumkehr auf den ersten 20 Prozent des Schubhebelwegs.



STEUERRUDER-FUNKTION

Ihr Joystick verfügt über eine Steuerruder-Funktion (**10**). In einem Flugzeug betätigt der Pilot das Steuerruder, um das Flugzeug um seine vertikale Achse zu drehen (so dass das Flugzeug nach links oder rechts dreht).

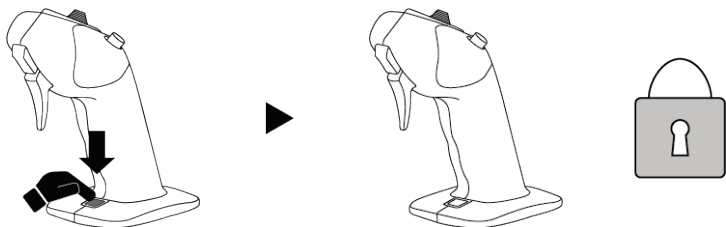
Diese Ruderfunktion ist auf Ihrem Joystick durch Drehen (d.h. Rotation) des Knüppels nach links oder rechts verfügbar.



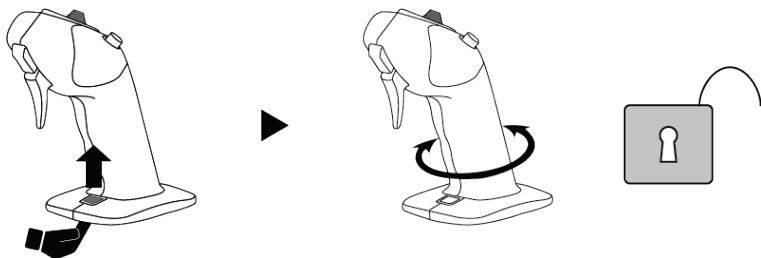
VERRIEGELUNG/ENTRIEGELUNG DER STEUERRUDER-FUNKTION

Die Steuerruder-Funktion kann durch die Verschluss-taste auf der Rückseite des Joystickgriffs deaktiviert werden.

Drücken Sie diese Taste nach unten, um die Ruderachse zu verriegeln.



Bringen Sie diese Taste wieder nach oben in die Ausgangsposition, um die Ruderachse zu entriegeln.



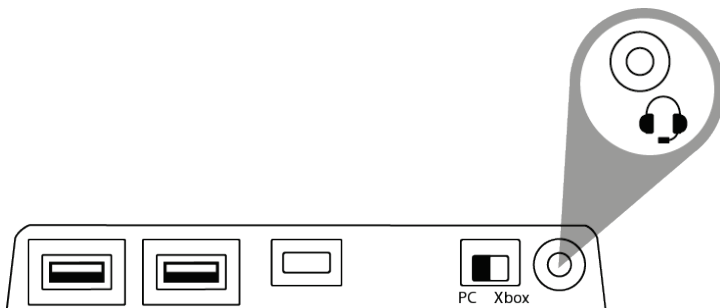
MEHRWEGE-“POINT OF VIEW”-KOPFSCHALTER

Der Joystick verfügt über einen “Point of View”-Kopfschalter **(3)**, der es Ihnen ermöglicht augenblicklich die Außenansicht des Luftfahrzeuges anzuzeigen (in Spielen, die diese Funktion unterstützen). Um diese Funktion verwenden zu können, rufen Sie das Menü mit den Einstellungen im Spiel auf und programmieren Sie die unterschiedlichen Ansichten (Rückansicht, Blick nach links, Blick nach rechts, Außenansichten) passend zu den Richtungen am “Point of View”-Kopfschalter.

Auf Wunsch kann der “Point of View”-Kopfschalter auch für andere Zwecke verwendet werden (z.B. Feuerm usw.).

MIKROFON-ANSCHLUSS FÜR GAMING-HEADSET

Ihr Joystick verfügt über einen 3,5-mm-Miniklinken-Mikrofonschluss **(15)**, der die Verwendung eines Gaming-Headsets mit integriertem Mikrofon für ein noch intensiveres und realistischeres Spielerlebnis ermöglicht.

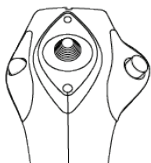


BEIDHÄNDIGES SYSTEM UND KONFIGURIERUNG DER MODULE

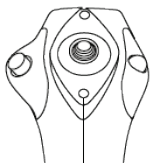
Ihr TCA Sidestick X Airbus Edition-Joystick hat den Vorteil der vollständigen beidhändigen Bedienbarkeit. Dadurch kann dieser an jeden Spieler angepasst werden, egal ob Rechts- oder Linkshänder.

Standardmäßig ist der Joystick im Piloten-Modus konfiguriert. Es sind vier Konfigurationen möglich:

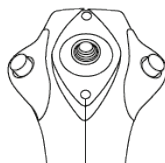
Pilot



Co-Pilot



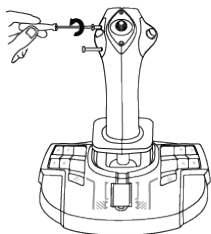
In zentraler Position



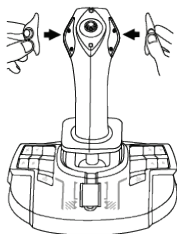
So ändern Sie die Konfiguration Ihres Joysticks:

1. Lösen Sie mit einem kleinen Schraubendreher vorsichtig die beiden Schrauben für jedes Tastenmodul und nehmen Sie diese heraus.
2. Tauschen Sie die Module entsprechend Ihrer bevorzugten Konfiguration aus.
3. Setzen Sie die Schrauben wieder ein und schrauben Sie diese fest.

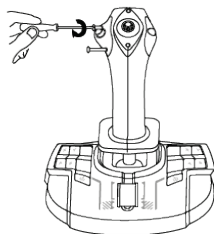
1



2



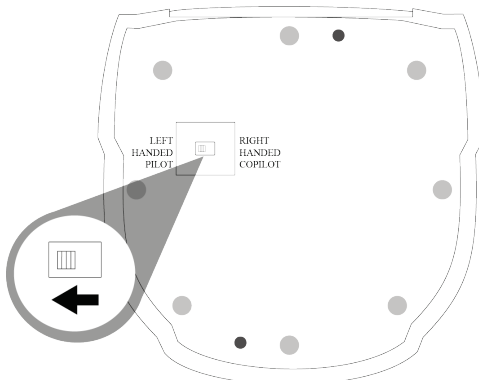
3



KONFIGURIEREN DES STICKS IM LINKSHÄNDIGEN (PILOTEN-)MODUS

Um den Joystick als LINKSHÄNDIG (PILOT) zu definieren, stellen Sie den Wählschalter (7), der sich unter dem Sockel des Joysticks befindet, auf LEFT HANDED – PILOT, bevor Sie den Joystick anschließen.

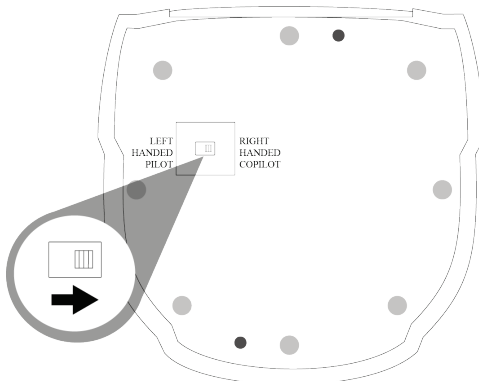
Ihr Produkt wird dann als TCA Sidestick X Pilot erkannt.



KONFIGURIEREN DES STICKS IM RECHTSHÄNDIGEN (CO-PILOTEN-)MODUS

Um den Joystick als RECHTSHÄNDIG (CO-PILOT) zu definieren, stellen Sie den Wählschalter (7), der sich unter dem Sockel des Joysticks befindet, auf RIGHT HANDED – COPILOT, bevor Sie den Joystick anschließen.

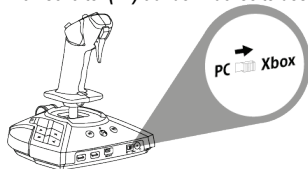
Ihr Produkt wird dann als TCA Sidestick X Copilot erkannt.



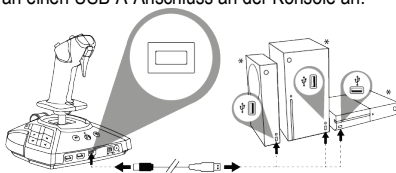
XBOX SERIES X|S / XBOX ONE

INSTALLATION AUF XBOX SERIES X|S* / XBOX ONE*

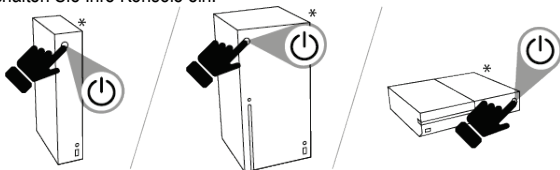
1. Stellen Sie den Wählschalter **(14)** auf der Rückseite des Joysticks auf die Position Xbox.



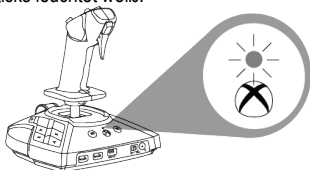
2. Schließen Sie das USB-C – USB-A-Kabel **(8)** an den USB-C-Anschluss **(16)** am Joystick und an einen USB-A-Anschluss an der Konsole an.



3. Schalten Sie Ihre Konsole ein.



4. Die LED des Joysticks leuchtet weiß.



5. Starten Sie ein kompatibles Spiel, das den Flight Stick-Modus unterstützt.

Jetzt können Sie mit dem Spielen beginnen!

**separat erhältlich*

LISTE DER KOMPATIBLEN SPIELE FÜR XBOX SERIES X|S / XBOX ONE

Auf der Xbox Series X|S* / Xbox One* gilt für den TCA Sidestick X Airbus Edition folgendes:

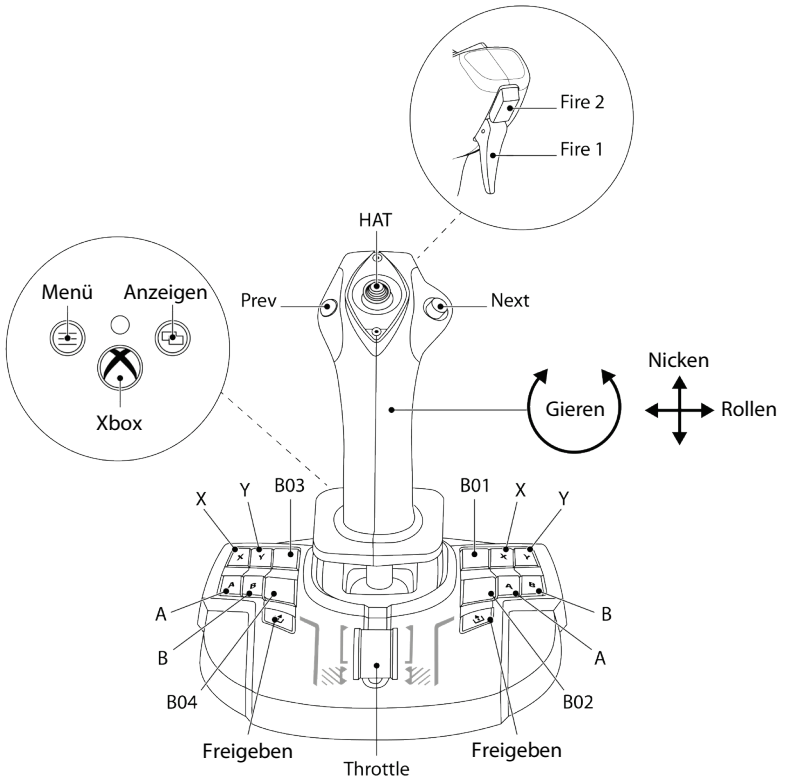
- er ist nur mit Spielen kompatibel, die den Flight Stick-Modus unterstützen.
- er wird in Spielen als Joystick und nicht als Gamepad erkannt, um maximale Reaktionsfähigkeit und Präzision zu gewährleisten und um auf die in diesen Spielen verfügbaren Joystick-Optionen zugreifen zu können.

Die Liste der Spiele für Xbox Series X|S / Xbox One, die mit dem Joystick kompatibel sind, finden Sie unter <https://support.thrustmaster.com> im Kapitel **Joysticks / TCA Sidestick X Airbus Edition**.

Diese Liste wird regelmäßig ergänzt, sobald neue Xbox Series X|S- / Xbox One-Spiele erscheinen, die mit dem TCA Sidestick X Airbus Edition kompatibel sind.

**separat erhältlich*

XBOX-MAPPING



KONNEKTIVITÄT DES TCA SIDESTICK X AIRBUS EDITION AUF XBOX SERIES X|S* / XBOX ONE*

Der TCA Sidestick X Airbus Edition verfügt über vier Achsen, ermöglicht aber auf der Rückseite des Joysticks den direkten Anschluss des TCA Quadrant Airbus Edition*-Schubhebelsystems, der TCA Quadrant Add-On Airbus Edition*-Module oder eines TPR* - Steuerrudersystems.

Nur bei der Xbox Series X|S* / Xbox One* kann ein zweites Schubhebelsystem an den TCA Quadrant Airbus Edition* angeschlossen werden, so dass der Joystick bis zu neun zusätzliche Achsen steuern kann.

Auf der Xbox Series X|S* / Xbox One* werden kompatible Thrustmaster-Geräte, die über den USB-A-Anschluss verbunden sind, mit dem TCA Sidestick X Airbus Edition zusammengeführt.



Die einzigen Geräte, die auf Xbox Series X|S* / Xbox One* unterstützt werden, sind TCA Quadrant Airbus Edition*, TCA Quadrant Add-On Airbus Edition* und die Steuerrudersysteme TPR* und TFRP*.

**separat erhältlich*

EN

FR

DE

NL

IT

ES

PT

RU

CS

TR

PL

日本語

繁體中文

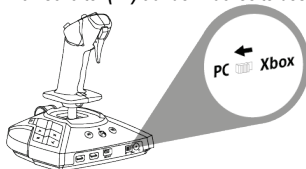
한국어

العربية

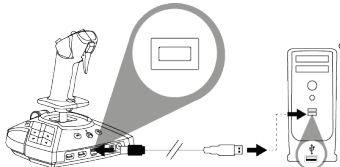
PC

INSTALLATION AUF PC*

1. Gehen Sie zu <https://support.thrustmaster.com>. Klicken Sie auf **Joysticks / TCA Sidestick X Airbus Edition** und wählen Sie **Treiber** aus. Laden Sie den PC-Treiber und seine angepasste Benutzeroberfläche für die Windows-Systemsteuerung herunter und installieren Sie diesen.
2. Stellen Sie den Wählschalter **(14)** auf der Rückseite des Joysticks auf die Position PC.



3. Stecken Sie das USB-C – USB-A-Kabel **(8)** in den USB-C-Anschluss **(16)** des Joysticks und in einen USB-A-Anschluss des PCs*.



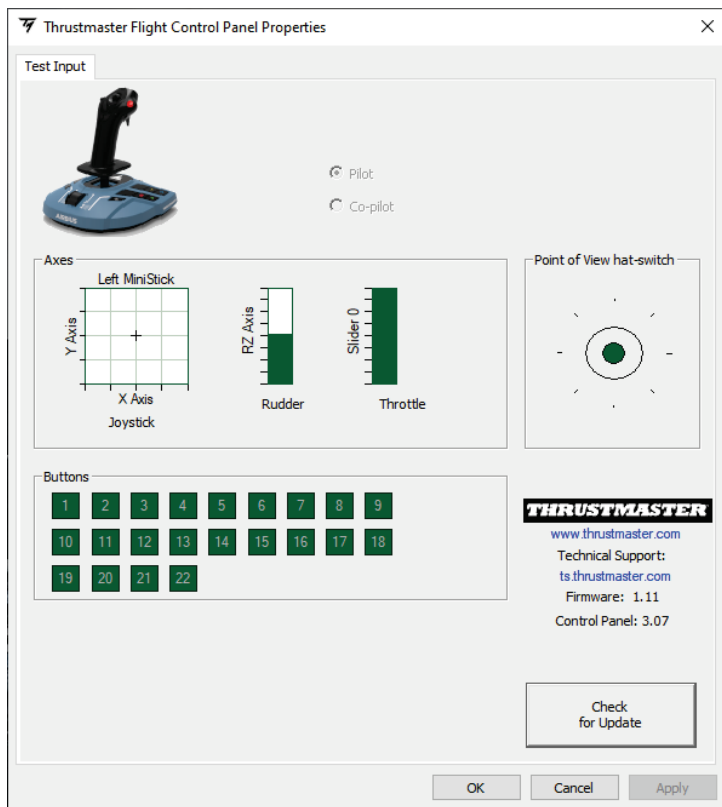
4. Starten Sie ein kompatibles Spiel, das HID-Flug-Peripheriegeräte unterstützt.

Jetzt können Sie mit dem Spielen beginnen!

**separat erhältlich*

ANGEPASSTE BENUTZEROBERFLÄCHE

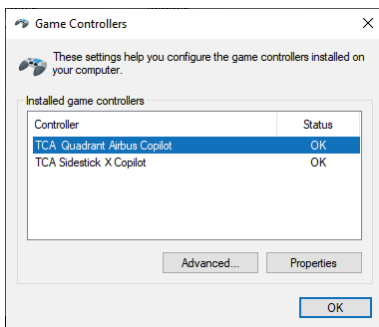
- Um auf die benutzerdefinierte Oberfläche der Systemsteuerung zuzugreifen, wählen Sie **Start / Apps / Thrustmaster / Systemsteuerung** (in Windows® 10/11). Das Dialogfeld für Gamecontroller wird geöffnet. Das Gerät erscheint auf dem Bildschirm mit dem Namen **TCA Sidestick X** und dem Status **OK**.
- Klicken Sie im Dialogfeld **Gamecontroller** auf **Eigenschaften**, um alle Funktionen zu testen und anzuzeigen.



KONNEKTIVITÄT DES TCA SIDESTICK X AIRBUS EDITION AUF DEM PC*

Der TCA Sidestick X Airbus Edition verfügt über vier Achsen, ermöglicht aber auf der Rückseite des Joysticks den direkten Anschluss des Schubhebelsystems TCA Quadrant Airbus Edition*, der TCA Quadrant Add-On Airbus Edition*-Module und eines TPR* - Seitenrudersystems.

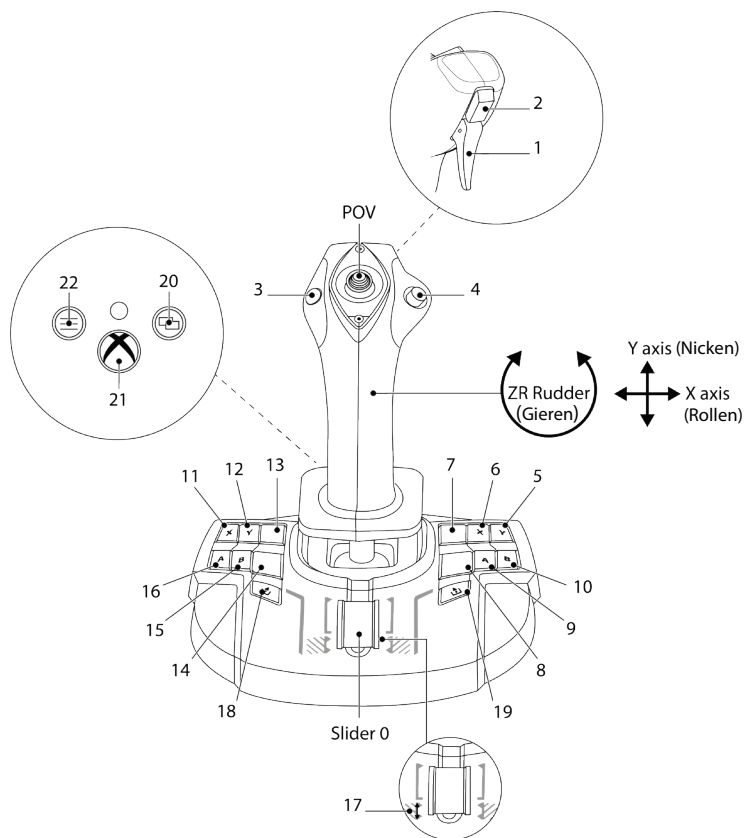
Wenn TCA Quadrant Airbus Edition* und das TPR*- oder das TFRP*-Steuerrudersystem angeschlossen sind, erscheinen sie unabhängig voneinander im Dialogfeld **Gamecontroller** als virtuelle Geräte:



Anschluss des TPR* Steuerrudersystems oder des TFRP*-Steuerrudersystems:

- Der Treiber muss installiert sein, damit die Geräte richtig funktionieren.
- Wenn das Steuerrudersystem an den Joystick oder an das mit dem Joystick verbundene Schubhebelsystem angeschlossen ist, werden die drei Achsen des Steuerrudersystems mit dem virtuellen Quadranten zusammengeführt (TCA Quadrant Airbus Copilot).

**separat erhältlich*

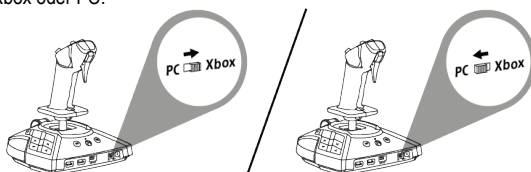


INSTALLATION DES TCA SIDESTICK X AIRBUS EDITION IN KOMBINATION MIT TCA QUADRANT AIRBUS EDITION* UND DEN TPR*- UND TFRP*-STEUERRUDERSYSTEMEN

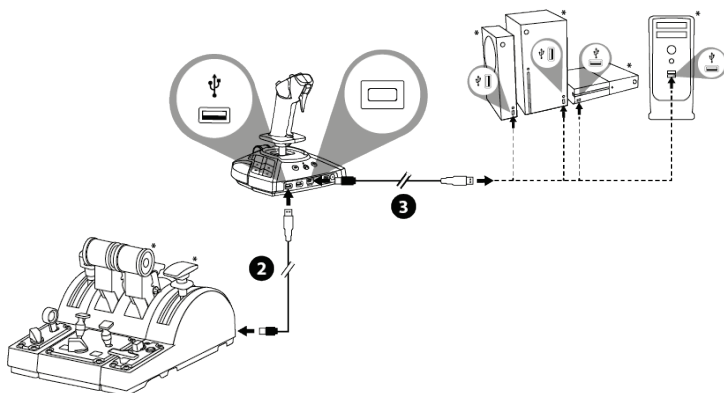
SCHUBHEBEL UND ADD-ON-MODULE

TCA Quadrant Airbus Edition* in Verbindung mit den TCA Quadrant Add-On Airbus Edition*-Modulen wird an den Joystick angeschlossen.

1. Stellen Sie den Wählschalter **(14)** auf der Rückseite des Joysticks auf die Position Xbox oder PC.



2. Verbinden Sie mit einem USB-C – USB-A-Kabel **(8)** den USB-C-Anschluss des Schubhebels mit dem USB-A-Anschluss **(17)** auf der Rückseite des Joysticks.
3. Schließen Sie ein zweites USB-C – USB-A-Kabel **(8)** an den USB-C-Anschluss **(16)** des Joysticks und an einen USB-A-Anschluss an der Konsole oder dem PC an.



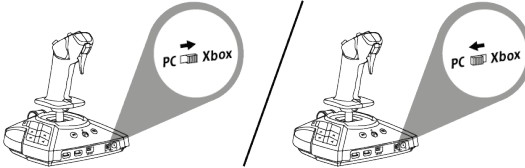
*separat erhältlich

STEUERRUDERSYSTEM

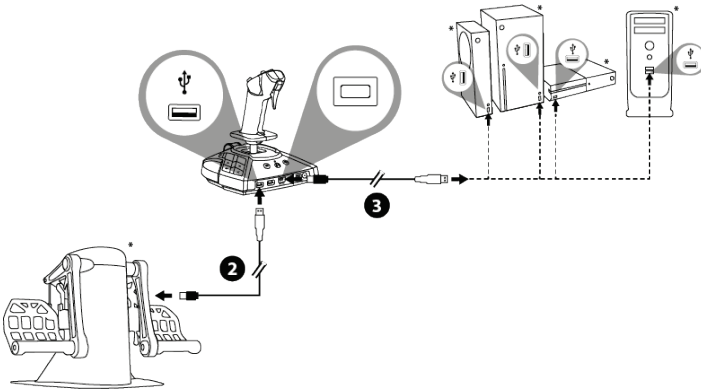
Drei Achsen sind für die Steuerrudersysteme TPR* und TFRP* reserviert.

Das Steuerrudersystem TPR* wird mit dem Joystick verbunden.

1. Stellen Sie den Wählschalter (14) auf der Rückseite des Joysticks auf die Position Xbox oder PC



2. Verbinden Sie mit dem USB-A – USB-B-Kabel des Steuerrudersystems den USB-B-Anschluss des Steuerrudersystems mit einem USB-A-Anschluss (17) auf der Rückseite des Joysticks.
3. Schließen Sie das USB-C – USB-A-Kabel (8) an den USB-C-Anschluss (16) des Joysticks und an einen USB-A-Anschluss an der Konsole oder dem PC an.

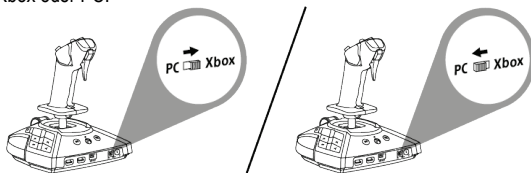


Auf Xbox Series X|S* / Xbox One* ist es nicht möglich, ein TPR*-Rudersystem anzuschließen, wenn bereits zwei TCA Quadrant Airbus Edition*-Schubhebelsysteme an den TCA Sidestick X Airbus Edition angeschlossen sind.

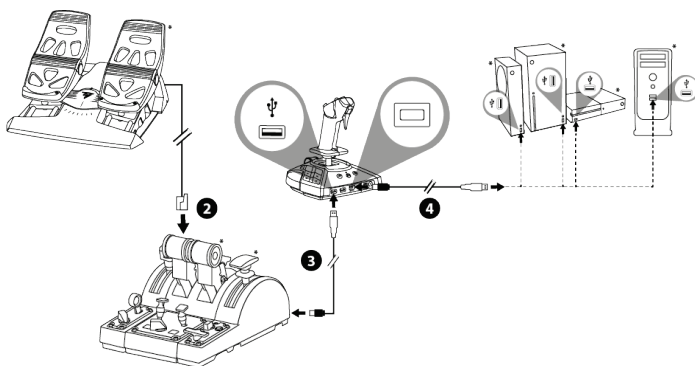
*separat erhältlich

Das TFRP*-Steuerrudersystem wird mit dem Schubhebelsystem verbunden, wenn Sie TCA Quadrant Airbus Edition* verwenden.

1. Stellen Sie den Wählschalter (14) auf der Rückseite des Joysticks auf die Position Xbox oder PC.



2. Verbinden Sie den RJ12-Stecker des Steuerrudersystems mit dem RJ12-Anschluss auf der Rückseite des TCA Quadrant Airbus Edition-Schubhebelsystems*.
3. Schließen Sie ein USB-C – USB-A-Kabel (8) an den USB-C-Anschluss am Schubhebelsystem und an einen USB-A-Anschluss (17) auf der Rückseite des Joysticks an.
4. Verbinden Sie ein zweites USB-C – USB-A-Kabel (8) mit dem USB-C-Anschluss (16) am Joystick und mit einem USB-A-Anschluss an der Konsole oder dem PC.



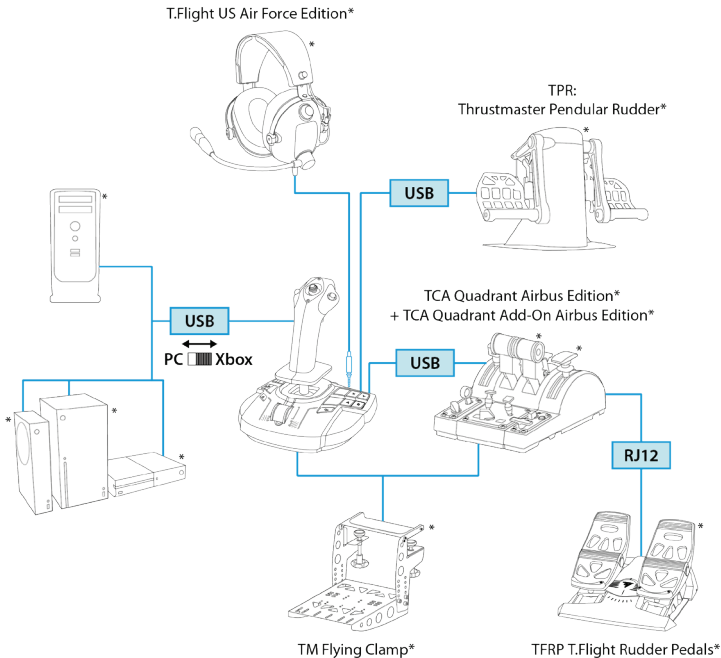
Automatische Kalibrierung der Achsen:

- Wenn Sie das Steuerrudersystem mit dem Joystick oder dem Schubhebelsystem verbinden, lassen Sie die Ruderachse immer zentriert. Stellen Sie Ihre Füße nicht auf das Ruder.
- Die drei Achsen der Pedale kalibrieren sich nach einigen Bewegungen automatisch, sobald die physischen Anschläge für die Steuerruderachse und die beiden Achsen der Differentialbremse erreicht sind.

*separat erhältlich

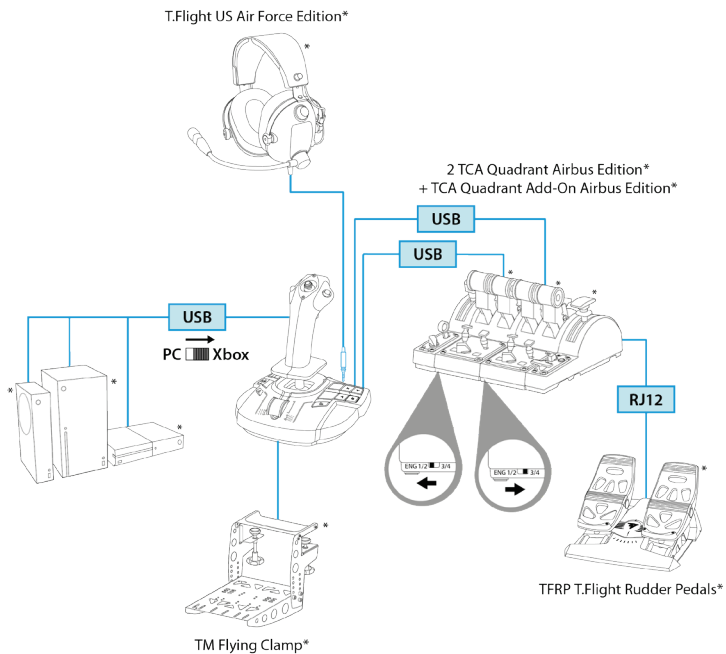
VERBINDUNG DES TCA SIDESTICK X AIRBUS EDITION MIT ALLEN KOMPATIBLEN PRODUKTEN

XBOX SERIES X|S – XBOX ONE – PC



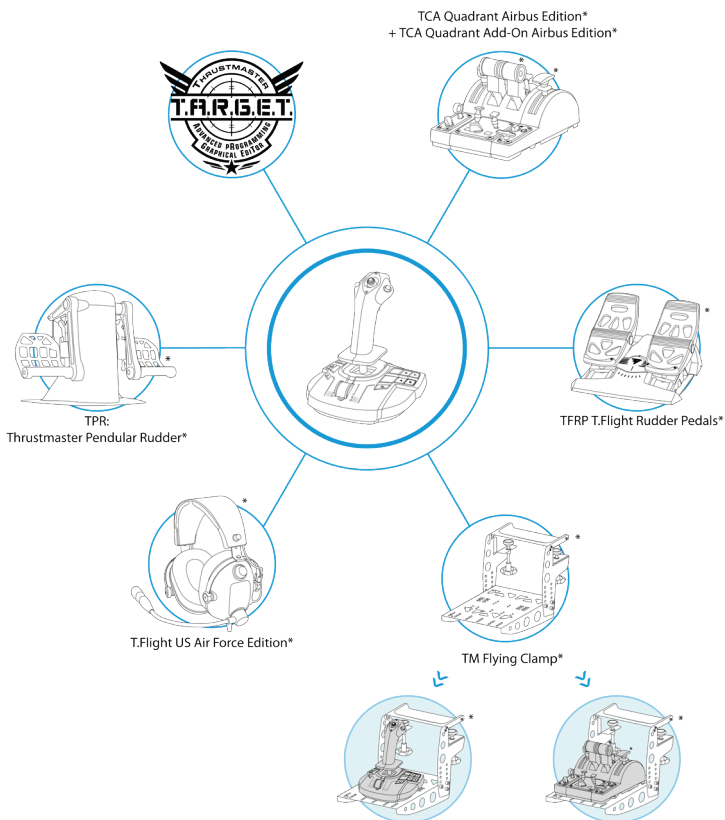
*separat erhältlich

XBOX SERIES X|S – XBOX ONE



*separat erhältlich

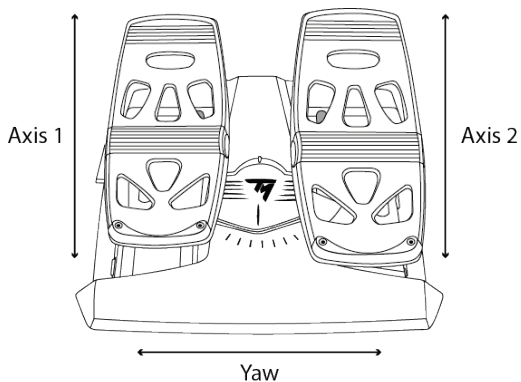
TCA-ECOSYSTEM



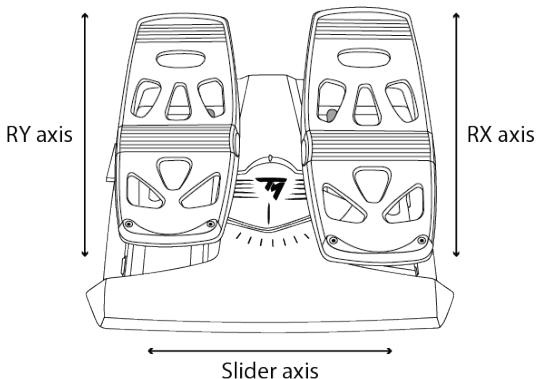
*separat erhältlich

MAPPING FÜR DAS TFRP*-STEUERRUDERSYSTEM VERBUNDEN MIT TCA SIDESTICK X AIRBUS EDITION ÜBER TCA QUADRANT AIRBUS EDITION*

XBOX-MAPPING



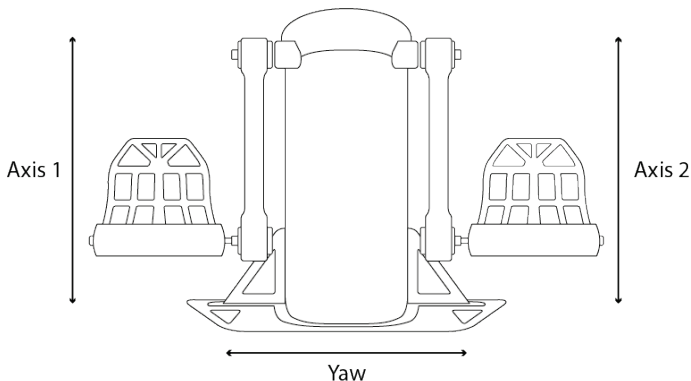
PC-MAPPING



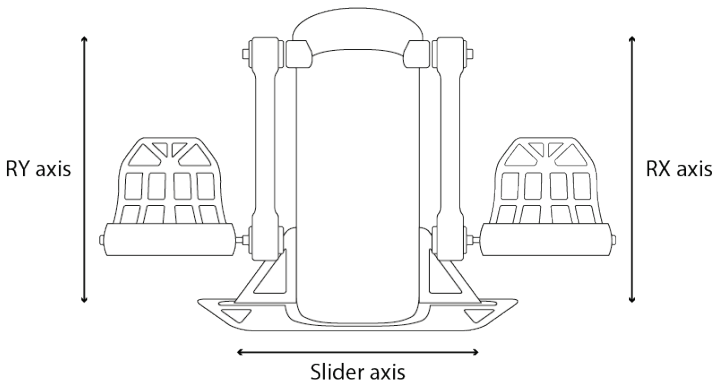
**separat erhältlich*

MAPPING FÜR DAS TPR*-STEUERRUDERSYSTEM VERBUNDEN MIT DEM TCA SIDESTICK X AIRBUS EDITION

XBOX-MAPPING



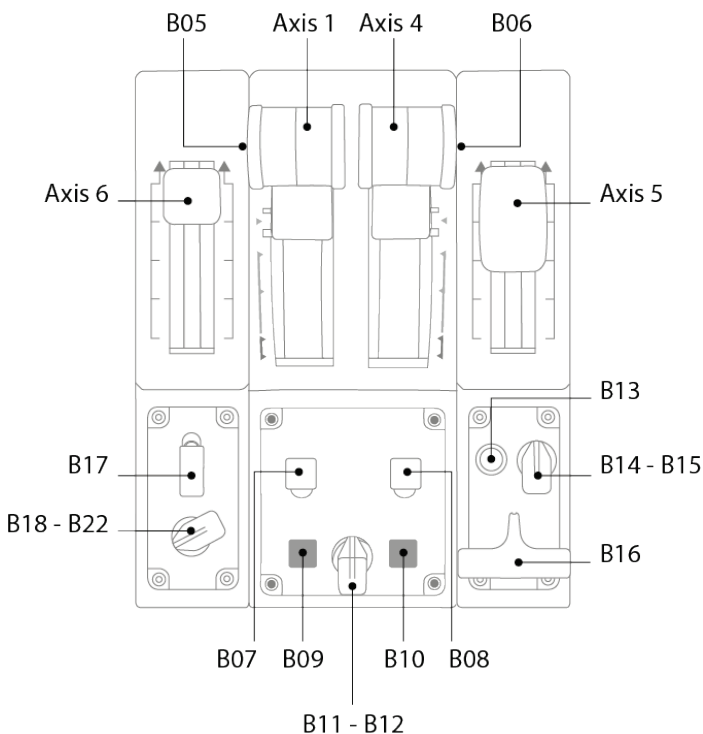
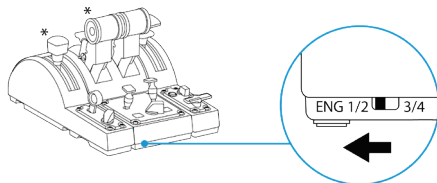
PC-MAPPING



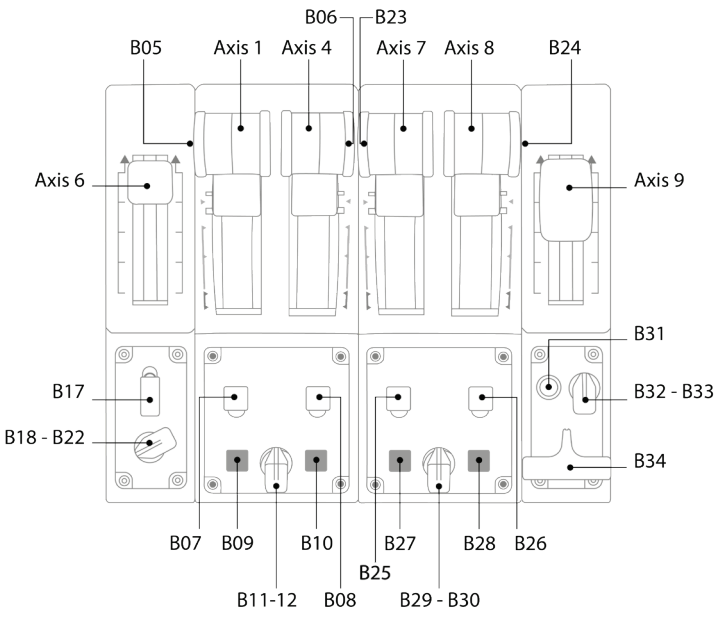
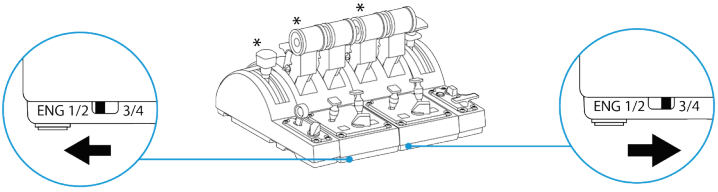
*separat erhältlich

MAPPING FÜR TCA QUADRANT AIRBUS EDITION* UND TCA QUADRANT ADD-ON AIRBUS EDITION* VERBUNDEN MIT DEM TCA SIDESTICK X AIRBUS EDITION

XBOX-MAPPING

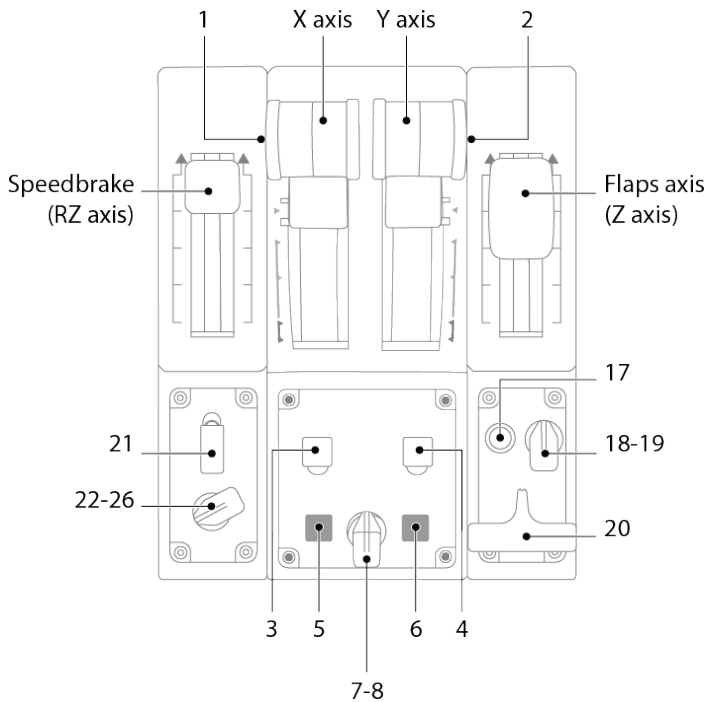
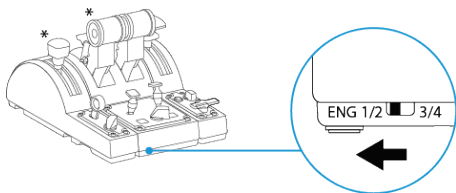


*separat erhältlich



**separat erhältlich*

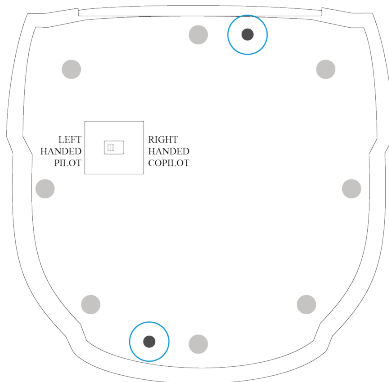
PC-MAPPING



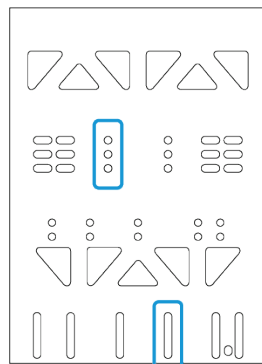
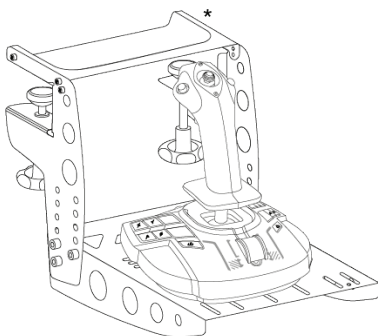
**separat erhältlich*

MONTAGE DES TCA SIDESTICK X AIRBUS EDITION AN EINER TM FLYING CLAMP*, IN EIN COCKPIT ODER AN EINER ANDEREN STATIONÄREN HALTERUNG

Sie können die beiden Bohrungen auf der Unterseite des TCA Sidestick X Airbus Edition verwenden, um den Joystick mit M6-Schrauben (nicht im Lieferumfang enthalten) an einer festen Halterung zu befestigen.



MONTAGE DES TCA SIDESTICK X AIRBUS EDITION AN EINER TM FLYING CLAMP*:



*separat erhältlich

AKTUALISIERUNG DER TCA SIDESTICK X AIRBUS EDITION-FIRMWARE

Die mit dem Joystick mitgelieferte Firmware kann aktualisiert werden, um Produktverbesserungen zu nutzen.

So können Sie die Firmware-Version Ihres Joysticks überprüfen und ggf. aktualisieren: Gehen Sie auf dem PC auf <https://support.thrustmaster.com>. Klicken Sie auf **Joysticks / TCA Sidestick X Airbus Edition / Firmware** und folgen Sie anschließend den Anweisungen zum Herunterladen und Installieren.



Die einzigen unterstützten Geräte sind das TCA Quadrant Airbus Edition*-Schubhebelsystem in Kombination mit den TCA Quadrant Add-On Airbus Edition*-Modulen und den Steuerrudersystemen TPR* und TFRP*.

Jetzt können Sie mit dem Spielen beginnen!

**separat erhältlich*

ERWEITERTE PROGRAMMIERUNGS-SOFTWARE T.A.R.G.E.T (Thrustmaster Advanced pRogramming Graphical EdiTor)

T.A.R.G.E.T (Thrustmaster Advanced pRogramming Graphical EdiTor) ist eine innovative, leistungsstarke Software-Suite, die Verbesserungen an den meisten Flugsteuerungen von Thrustmaster und den Austausch von Profilen mit der Thrustmaster-Community ermöglicht.

T.A.R.G.E.T HERUNTERLADEN

Bitte besuchen Sie <https://support.thrustmaster.com>. Klicken Sie auf **Joysticks / TCA Sidestick X Airbus Edition** und wählen dann **Software**. Laden Sie die erweiterte Programmierungs-Software T.A.R.G.E.T herunter und installieren Sie diese anschließend.

DIE WICHTIGSTEN FUNKTIONEN VON T.A.R.G.E.T:

- Unterschiedliche Konfigurationsmöglichkeiten der Achsen.
- Unterschiedliche Möglichkeiten der Programmierung: Basic, Advanced und Script.
- Nutzung des Drag-and-Drop-Prinzips.
- Kombinationsmöglichkeit des TCA Sidestick X Airbus Edition mit anderen Thrustmaster-Joysticks (Hotas Cougar*, Hotas Warthog*, T.16000M*, MFD Cougar Pack*, die ebenfalls mit T.A.R.G.E.T kompatibel sind), wodurch sie als ein einzelnes USB-Gerät erkannt werden können.
- Zugang zu weiterführenden Profildaten, die von der Thrustmaster-Community erstellt wurden.



**separat erhältlich*

WICHTIGE HINWEISE

Wenn Sie Ihren Joystick anschließen, lassen Sie den Stick und das Steuerruder immer in der Mitte und bewegen Sie diese nicht, um mögliche Kalibrierungsprobleme zu vermeiden.

FEHLERBEHEBUNG UND WARNUNG

Mein Joystick funktioniert nicht richtig oder scheint nicht richtig kalibriert zu sein.

- Vergewissern Sie sich, dass sich der Wählschalter (14) in der richtigen Position (Xbox oder PC) befindet, bevor Sie das USB-Kabel an die Konsole oder den PC anschließen.
- Schalten Sie Ihre Konsole oder Ihren PC aus und trennen Sie den Joystick. Schließen Sie den Joystick wieder an und starten Sie das Spiel erneut.
- Wenn Sie Ihren Joystick anschließen, lassen Sie den Stick und das Steuerruder immer in der Mitte und bewegen Sie diese nicht, um mögliche Kalibrierungsprobleme zu vermeiden.

Ich kann meinen Joystick nicht konfigurieren.

- Wählen Sie im Spielmenü **Optionen / Controller / Gamepad** oder **Joystick** die entsprechende Konfiguration oder konfigurieren Sie die Optionen des Controllers komplett neu.
- Weitere Informationen finden Sie im Benutzerhandbuch Ihres Spiels oder in der Online-Hilfe.

Mein Joystick reagiert zu empfindlich oder nicht empfindlich genug.

- Der TCA Sidestick X Airbus Edition kalibriert sich automatisch, sobald Sie ein paar Bewegungen auf den verschiedenen Achsen ausgeführt haben.
- Stellen Sie im Menü **Optionen / Controller / Gamepad** oder **Joystick** Ihres Spiels die Empfindlichkeit und die Totzonen für Ihren Controller ein (falls diese Optionen verfügbar sind).

Der Mikrofonanschluss des TCA Sidestick X Airbus Edition funktioniert nicht.

- Der TCA Sidestick X Airbus Edition verfügt über ein USB-Audiogerät. Wenn Sie ein USB-Audiogerät zum ersten Mal an Windows anschließen, ist die Standardlautstärke für alle Mikrofone auf Null eingestellt.
- Um das Problem zu beheben, gehen Sie zu den Audioeinstellungen in Windows für den Mikrofonanschluss des TCA Sidestick X Airbus Edition und stellen den Mikrofonpegel auf 100 %.

Auf dem PC funktionieren die angeschlossenen Geräte nicht richtig.

- Installieren Sie den PC-Treiber. Besuchen Sie <https://support.thrustmaster.com>. Klicken Sie auf **Joysticks / TCA Sidestick X Airbus Edition** und wählen Sie Treiber. Laden Sie den PC-Treiber und seine angepasste Benutzeroberfläche für die Windows-Systemsteuerung herunter und installieren Sie ihn.



Dieses Gerät ist ausschließlich für den Gebrauch zu Unterhaltungszwecken bestimmt. Es ist strengstens untersagt, diese Geräte für professionelle Trainingsaktivitäten zu verwenden.

Kunden-Garantie-Information

Guillemot Corporation S.A. mit Hauptfirmensitz in Place du Granier, B.P. 97143, 35571 Chantepie, France (fortfolgend "Guillemot") garantiert Kunden weltweit, daß dieses Thrustmaster Produkt frei von Mängeln in Material und Verarbeitung für eine Gewährleistungsfrist ist, die mit der Frist für eine Mängelrüge bezüglich des Produktes übereinstimmt. In den Ländern der Europäischen Union entspricht diese einem Zeitraum von zwei (2) Jahren ab Kaufdatum des Thrustmaster Produktes. In anderen Ländern entspricht die Gewährleistungsfrist der zeitlichen Begrenzung für eine Mängelrüge bezüglich des Thrustmaster Produktes in Übereinstimmung mit anwendbarem Recht des Landes, in dem der Kunde zum Zeitpunkt des Erwerbs eines Thrustmaster Produktes wohnhaft ist. Sollte eine entsprechende Regelung in dem entsprechenden Land nicht existieren, umfasst die Gewährleistungspflicht einen Zeitraum von einem (1) Jahr ab dem originären Kaufdatum des Thrustmaster Produktes.

Sollten bei dem Produkt innerhalb der Gewährleistungsfrist Defekte auftreten, kontaktieren Sie unverzüglich den technischen Kundendienst, der die weitere Vorgehensweise anzeigt. Wurde der Defekt bestätigt, muß das Produkt an die Verkaufsstelle (oder an eine andere Stelle, je nach Maßgabe des technischen Kundendienstes) retourniert werden.

Im Rahmen dieser Garantie sollte das defekte Produkt des Kunden, je nach Entscheidung des technischen Kundendienstes, entweder ausgetauscht oder repariert werden. Sollte während der Garantiezeit das Thrustmaster Produkt einer derartigen Instandsetzung unterliegen und das Produkt während eines Zeitraums von mindestens sieben (7) Tagen nicht benutzbar sein, wird diese Zeit der restlichen Garantiezeit hinzugefügt. Diese Frist läuft ab dem Zeitpunkt, an dem der Wunsch des Verbrauchers bezüglich einer Intervention vorliegt oder ab dem Tag, an dem das fragliche Produkt zur Instandsetzung zur Verfügung steht, falls das Datum, an dem das Produkt zur Instandsetzung zur Verfügung steht, dem Datum des Antrags auf Intervention nachfolgt. Wenn nach geltendem Recht zulässig, beschränkt sich die volle Haftung von Guillemot und ihrer Tochtergesellschaften auf die Reparatur oder den Austausch des Thrustmaster Produktes (inklusive Folgeschäden). Wenn nach geltendem Recht zulässig, lehnt Guillemot alle Gewährleistungen der Marktgängigkeit oder Eignung für einen bestimmten Zweck ab.

Der Gewährleistungsanspruch verfällt: (1) Falls das Produkt modifiziert, geöffnet, verändert oder ein Schaden durch unsachgemäßen oder missbräuchlichen Gebrauch hervorgerufen wurde, sowie durch Fahrlässigkeit, einen Unfall, Verschleiß oder irgendeinem anderen Grund – aber nicht durch Material- oder Herstellungsfehler (einschließlich, aber nicht beschränkt auf, die Kombination der Thrustmaster Produkte mit ungeeigneten Elementen, insbesondere Netzteile, Akkus, Ladegeräte, oder andere Elemente, die von Guillemot für dieses Produkt nicht mitgeliefert wurden); (2) Falls das Produkt für eine andere Nutzung als zum privaten Hausgebrauch, einschließlich für professionelle oder kommerzielle Zwecke (z. B. Spielhallen, Training, Wettkämpfe) verwendet wird; (3) Im Falle der Nichteinhaltung der durch den technischen Support erteilten Anweisungen; (4) Durch Software. Die besagte Software ist Gegenstand einer speziellen Garantie; (5) Bei Verbrauchsmaterialien (Elemente, die während der Produktlebensdauer ausgetauscht werden, wie z. B. Einwegbatterien, Ohrpolster für ein Audioheadset oder für Kopfhörer); (6) Bei Accessoires (z. B. Kabel, Etais, Taschen, Beutel, Handgelenk-Riemen); (7) Falls das Produkt in einer öffentlichen Versteigerung verkauft wurde. Diese Garantie ist nicht übertragbar. Die Rechte des Kunden in Übereinstimmung mit anwendbarem Recht bezüglich des Verkaufs auf Konsumgüter im Land der/der Kunden/Kundin wird durch diese Garantie nicht beeinträchtigt.

Zusätzliche Gewährleistungsbestimmungen

Während der Garantiezeit bietet Guillemot grundsätzlich keine Ersatzteile an, da der technische Kundendienst der einzige autorisierte Partner zum Öffnen und/oder Instandsetzen jedweden Thrustmaster-Produkts ist (mit Ausnahme von irgendwelchen Instandsetzungsverfahren, die der Kunde nach Maßgabe des technischen Kundendienstes und durch schriftliche Instruktionen sowie der Zurverfügungstellung des/der eventuell erforderlichen Ersatzteil(s)(e) selbst in der Lage ist durchzuführen – zum Beispiel aufgrund der Einfachheit und einer nicht erforderlichen Geheimhaltung des Instandsetzungsverfahrens).

Aufgrund seiner Innovationszyklen und um sein Know-how und seine Geschäftsgeheimnisse zu schützen, bietet Guillemot grundsätzlich keine Instandsetzungs-Benachrichtigung oder Ersatzteile für alle Thrustmaster Produkte an, deren Garantiezeit abgelaufen ist.

Haftung

Wenn nach dem anwendbaren Recht zulässig, lehnen Guillemot Corporation S.A. (fortfolgend "Guillemot") und ihre Tochtergesellschaften jegliche Haftung für Schäden, die auf eine oder mehrere der folgenden Ursachen zurückzuführen sind, ab: (1) das Produkt wurde modifiziert, geöffnet oder geändert; (2) Nichtbefolgung der Montageanleitung; (3) unangebrachte Nutzung, Fahrlässigkeit, Unfall (z. B. ein Aufprall); (4) normalem Verschleiß; (5) Die Verwendung des Produkts für jedwede andere Nutzung als zum privaten Hausgebrauch, einschließlich professioneller oder kommerzieller Zwecke (z. B. Spielhallen, Training, Wettkämpfe). Wenn nach anwendbarem Recht zulässig, lehnen Guillemot und seine Niederlassungen jegliche Haftung für Schäden, die nicht auf einen Material- oder Herstellungsfehler in Bezug auf das Produkt beruhen (einschließlich, aber nicht beschränkt auf, etwaige Schäden, die direkt oder indirekt durch Software oder durch die Kombination der Thrustmaster Produkte mit ungeeigneten Elementen, insbesondere Netzteile, Akkus, Ladegeräte, oder andere Elemente, die von Guillemot für dieses Produkt nicht geliefert wurden), ab.

THRUSTMASTER®

TECHNISCHER SUPPORT

<https://support.thrustmaster.com>



COPYRIGHT

©2022 Guillemot Corporation S.A. Alle Rechte vorbehalten. Thrustmaster® ist eine eingetragene Marke von Guillemot Corporation S.A. Hergestellt und vertrieben von Guillemot Corporation S.A.

AIRBUS, dessen Logo sowie Handels- und Dienstleistungszeichen sind eingetragene Marken von Airbus. Alle Rechte vorbehalten. © Airbus 2022. Alle Rechte vorbehalten. Offiziell von Airbus lizenziert.

Microsoft, Xbox, Xbox "Sphere" Design, Xbox Series X|S, Xbox One und Windows 10/11 sind Marken der Microsoft-Firmengruppe.

Alle anderen Marken sind im Besitz Ihrer jeweiligen Eigentümer. Inhalte, Designs und Spezifikationen können ohne vorherige Ankündigung geändert werden und können von Land zu Land unterschiedlich sein. Fotos und Illustrationen nicht verbindlich. Entwickelt in Nordamerika und Europa. Hergestellt in China.

HINWEISE ZUM UMWELTSCHUTZ



* In der Europäischen Union, dem Vereinigten Königreich und der Türkei: Dieses Produkt darf nach Ende seiner Lebensdauer nicht über den Hausmüll entsorgt werden, sondern muss an einem Sammelpunkt für das Recycling von elektrischen und elektronischen Geräten abgegeben werden.

Das Symbol auf dem Produkt, der Gebrauchsanleitung oder der Verpackung weist darauf hin.

Die Werkstoffe sind gemäß ihrer Kennzeichnung wiederverwertbar. Mit der Wiederverwertung, der stofflichen Verwertung oder anderen Formen von Altgeräten leisten Sie einen wichtigen Beitrag zum Schutz unserer Umwelt. Bitte erfragen Sie bei der Gemeindeverwaltung die zuständige Entsorgungsstelle.

Für alle anderen Länder: Bitte beachten Sie die lokalen Entsorgungsrichtlinien/-Gesetze bezüglich elektrischen und elektronischen Equipments.

Wichtige Informationen. Die Farben und Verzierungen können abweichen.
Plastikhalterungen und Aufkleber bitte vor der Nutzung des Produktes entfernen.

www.thrustmaster.com

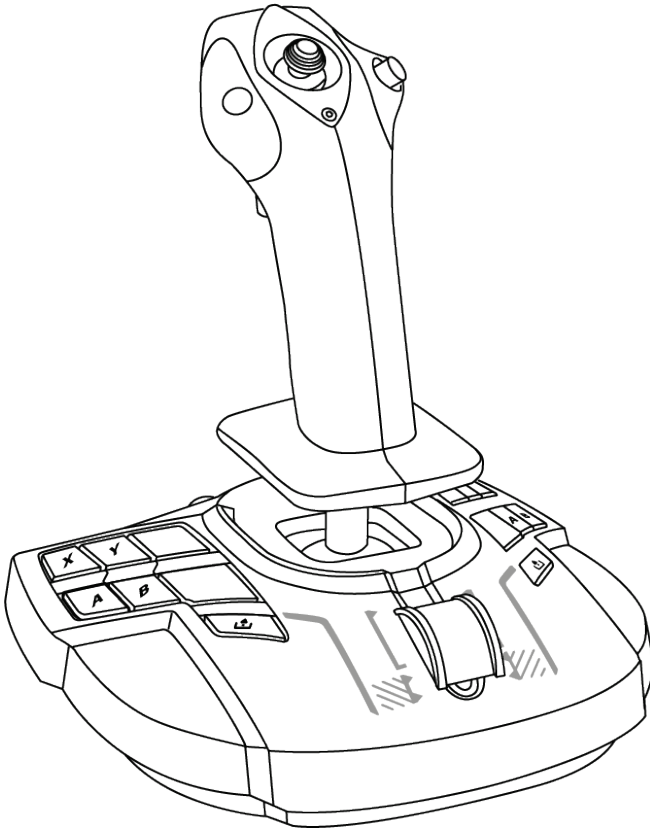
* Nur in der EU, dem Vereinigten Königreich und der Türkei anwendbar



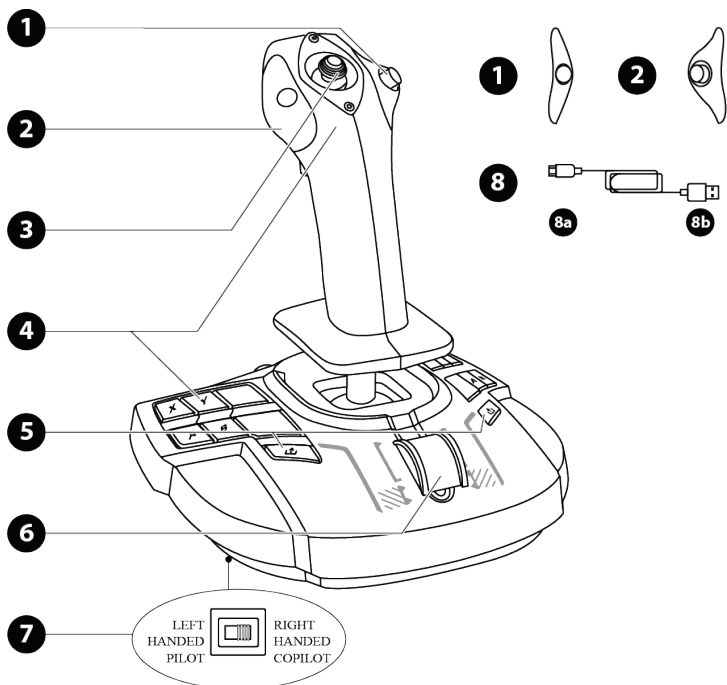
TCA SIDESTICK X AIRBUS EDITION

XBOX SERIES X|S – XBOX ONE – PC

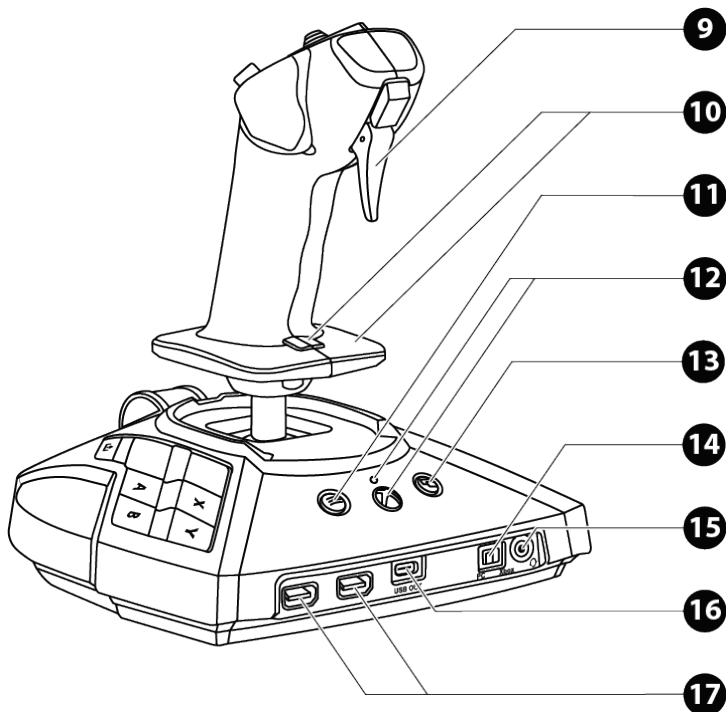
Handleiding



TECHNISCHE KENMERKEN



1. Rechterknopmodules
2. Linkerknopmodules
3. Multidirectionele Point of View-hat-switch
4. 21 actieknoppen op de Xbox, 22 actieknoppen op de PC
5. Knoppen voor delen (Xbox)
6. Throttle + één virtuele knop (alleen op de PC)
7. Keuzeschakelaar: LEFT HANDED — PILOT (linkshandig - piloot) / RIGHT HANDED — COPILOT (rechtshandig - copiloot)
8. Kabel voor USB-C (**8a**) naar USB-A (**8b**)



9. Digitale trigger
10. Roerbediening via draaihendel met handsteun + vergrendelknop
11. Knop voor menu (Xbox)
12. Xbox-knop + LED
13. Knop voor bekijken (Xbox)
14. Xbox / PC-keuzeschakelaar
15. 3,5 mm mini-jack microfoonaansluiting voor gaming-headset*
16. USB-poort type C
17. USB-poorten type A voor TCA Quadrant Airbus Edition* of TPR-roer*

*wordt apart verkocht

DE DIVERSE FUNCTIES VAN DE JOYSTICK

EXCLUSIEVE PRECISIETECHNOLOGIE

H.E.A.R.T: Halleffect AccuRate Technology

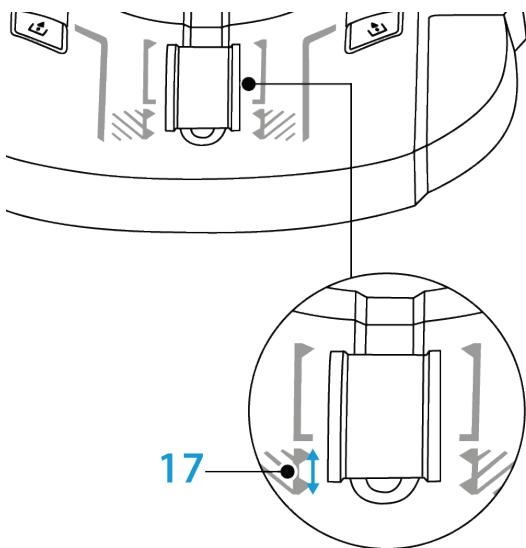
Uw TCA Sidestick X Airbus Edition-joystick is voorzien van uiterst nauwkeurige technieken, met:

- 3D (Hall Effect) magnetische sensoren op de stick;
- magneet: geen wrijving, voor blijvende onbeperkte nauwkeurigheid en ongelooflijk snelle reacties;
- spiraalveer op de stick (2,8 mm): voor stevige, lineaire en uiterste vloeiende weerstand.

THROTTLE

De joystick heeft een throttle (6) die zeer geschikt is om de stuwkracht van een vliegtuigmotor te bedienen.

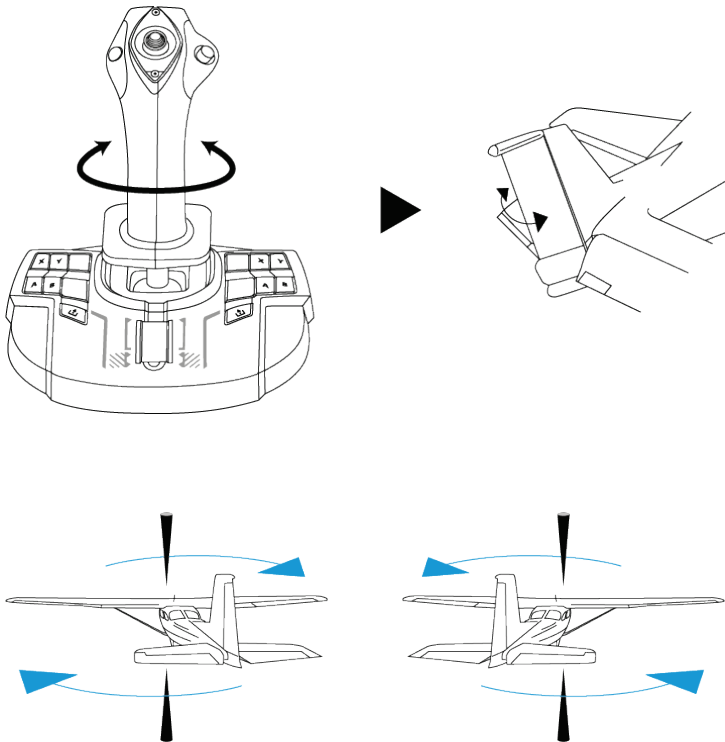
Op de eerste 20 procent van de throttle-beweging wordt een virtuele knop (nummer 17 in de PC-mapping) geactiveerd waarmee de stuwkrachtomkeerders kunnen worden bediend. Deze virtuele knop is alleen beschikbaar op de PC.



ROERFUNCTIE

De joystick heeft een roerfunctie (10). Het roer wordt in een vliegtuig door de piloot gebruikt om het toestel om de verticale as te kantelen om een bocht naar links of rechts te maken.

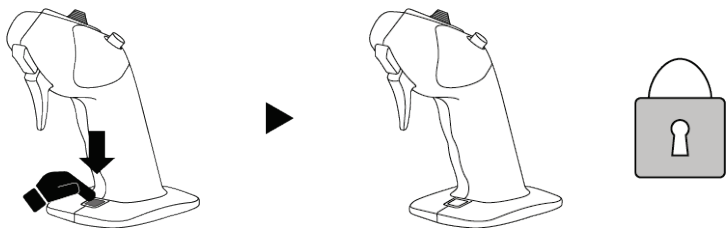
Deze roerfunctie is beschikbaar op de joystick door de stick naar links of rechts te draaien.



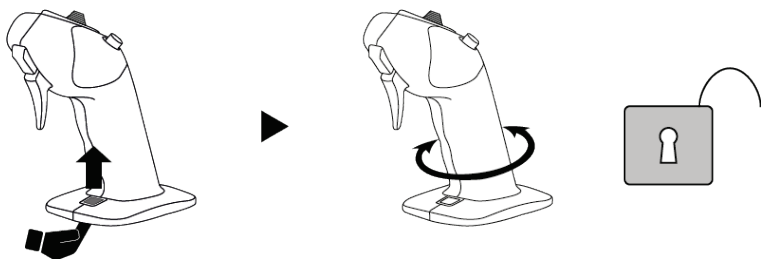
DE ROERFUNCTIE VERGRENDELEN/ONTGRENDELEN

De roerfunctie kan worden uitgeschakeld met de vergrendelknop achterop de joystickgreep.

Druk deze knop in om de roeras te vergrendelen.



Druk deze knop weer omhoog om de roeras te ontgrendelen.



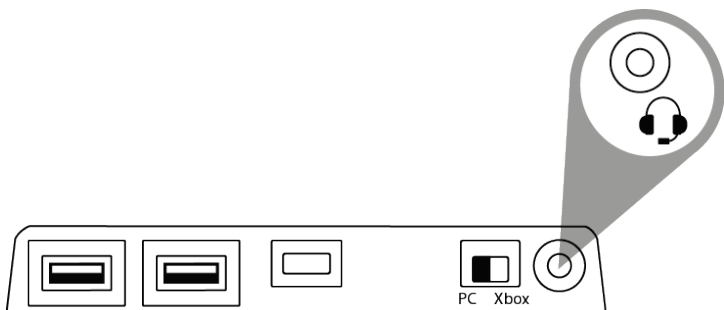
MULTIDIRECTIONELE POINT OF VIEW-HAT-SWITCH

De joystick heeft een Point of View-hat-switch **(3)** waarmee u in één keer een overzicht krijgt van alles wat zich rondom het vliegtuig afspeelt (als deze functie is ingeschakeld in de game). Als u deze functie wilt gebruiken, hoeft u alleen maar in het setup-menu van de game de verschillende weergaven (links, rechts, naar achteren, externe weergaven) op de richtingen van de Point of View-hat-switch te programmeren.

De Point of View-hat-switch kan desgewenst ook voor andere functies worden gebruikt, bijvoorbeeld om te schieten.

MICROFOONCONNECTOR VOOR GAMING-HEADSET

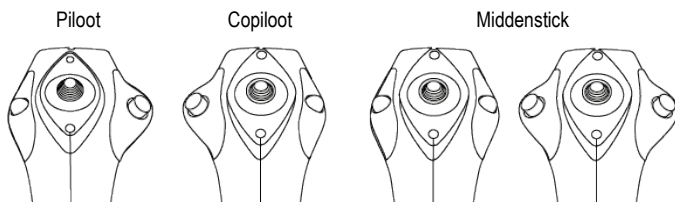
De joystick is voorzien van een 3,5 mm mini-jack microfoonconnector **(15)** voor het gebruik van een gaming-headset met een ingebouwde microfoon die een meer intense ervaring levert.



SYSTEEM GESCHIKT VOOR LINKS- EN RECHTSHANDIGEN EN AFSTELLEN VAN DE MODULES

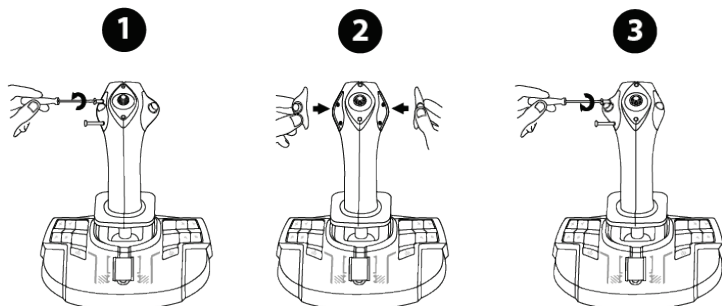
De TCA Sidestick X Airbus Edition-joystick heeft het voordeel dat hij instelbaar is voor links- of rechtshandig gebruik en daarmee geschikt is voor alle gamers.

Standaard staat de joystick in piloot-modus. Er zijn vier configuraties mogelijk.



Als u de configuratie van uw joystick wilt aanpassen:

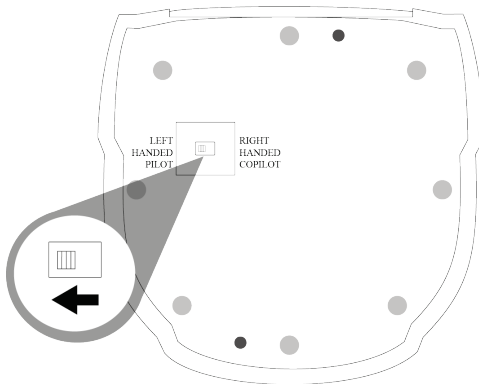
1. Draai met een kleine schroevendraaier de twee schroeven van elke knopmodule voorzichtig los en verwijder ze.
2. Wijzig de modules in de door u gewenste configuratie.
3. Zet de schroeven weer terug en draai ze goed vast.



DE STICK CONFIGUREREN IN LINKSHANDIGE MODUS (PILOOT)

Om te bepalen of de joystick zich in de modus LINKSHANDIG (PILOOT) bevindt, zet u de keuzeschakelaar (7) onderop de voet van de joystick op LEFT HANDED — PILOT voordat u de joystick aansluit.

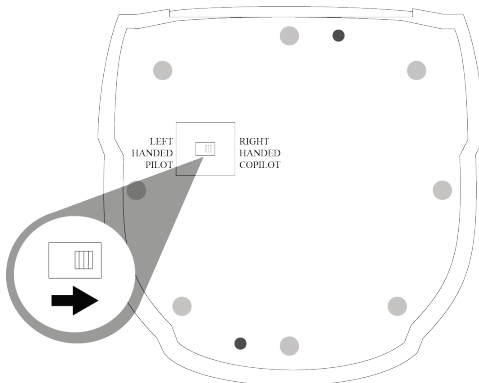
Uw product wordt vervolgens herkend als een TCA Sidestick X Pilot.



DE STICK CONFIGUREREN IN RECHTSHANDIGE MODUS (COPILOOT)

Om te bepalen of de joystick zich in de modus RECHTSHANDIG (COPILOOT) bevindt, zet u de keuzeschakelaar (7) onderop de voet van de joystick op RIGHT HANDED — COPILOT voordat u de joystick aansluit.

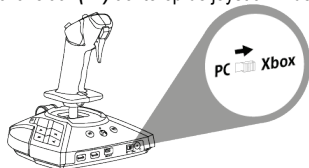
Uw product wordt vervolgens herkend als een TCA Sidestick X Copilot.



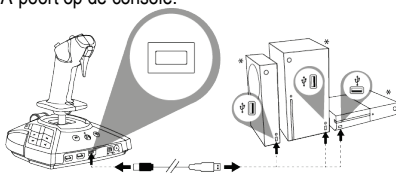
XBOX SERIES X|S / XBOX ONE

INSTALLATIE OP DE XBOX SERIES X|S* / XBOX ONE

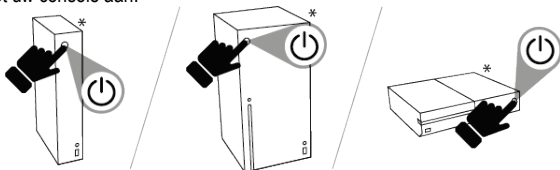
1. Zet de keuzeschakelaar (14) achterop de joystick in de stand Xbox.



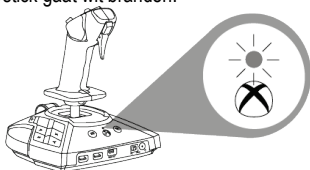
2. Sluit de USB-C naar USB-A-kabel (8) aan op de USB-C-poort (16) op de joystick en op een USB-A-poort op de console.



3. Zet uw console aan.



4. De LED van de joystick gaat wit branden.



5. Start een compatibele game die de Flight Stick-modus ondersteunt.

Nu kan er gespeeld worden!

**wordt apart verkocht*

LIJST MET COMPATIBELE GAMES VOOR DE XBOX SERIES X|S / XBOX ONE

De TCA Sidestick X Airbus Edition, op de Xbox Series X|S* / Xbox One*:

- is alleen compatibel met games die de Flight Stick-modus ondersteunen.
- wordt in games herkend als een joystick in plaats van een gamepad. Dit zorgt voor een maximale respons en nauwkeurigheid, en maakt het mogelijk de joystick-opties in deze games te gebruiken.

De lijst van games voor de Xbox Series X|S / Xbox One die compatibel zijn met de joystick is beschikbaar op <https://support.thrustmaster.com> in de sectie **Joysticks / TCA Sidestick X Airbus Edition**.

Deze lijst wordt regelmatig bijgewerkt met nieuw uitgebrachte games voor de Xbox Series X|S / Xbox One die compatibel zijn met de TCA Sidestick X Airbus Edition.

**wordt apart verkocht*

EN

FR

DE

NL

IT

ES

PT

RU

CS

TR

PL

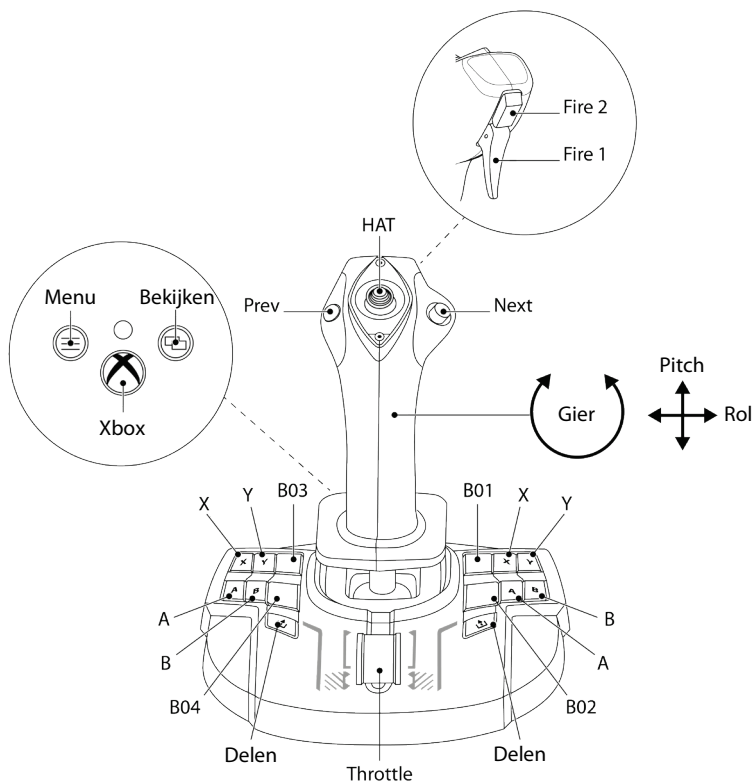
日本語

繁體中文

한국어

العربية

XBOX-MAPPING



CONNECTIVITEIT VAN DE TCA SIDESTICK X AIRBUS EDITION OP DE XBOX SERIES X|S* / XBOX ONE*

De TCA Sidestick X Airbus Edition beschikt over vier assen, maar u kunt het TCA Quadrant Airbus Edition*-throttle-systeem, de TCA Quadrant Add-On Airbus Edition*-modules en een TPR*-roersysteem direct aansluiten aan de achterkant van de joystick.

Alleen op de Xbox Series X|S* / Xbox One* kan een tweede throttle-systeem worden aangesloten op de TCA Quadrant Airbus Edition*, waardoor de joystick maximaal negen extra assen kan bedienen.

Op de Xbox Series X|S* / Xbox One worden compatibele Thrustmaster-apparaten die zijn aangesloten via de USB-A-poort, samengevoegd met de TCA Sidestick X Airbus Edition.



De enige apparaten die op de Xbox Series X|S* / Xbox One* worden ondersteund, zijn de TCA Quadrant Airbus Edition*, de TCA Quadrant Add-On Airbus Edition* en de TPR*- en TFRP*-roersystemen.

**wordt apart verkocht*

EN

FR

DE

NL

IT

ES

PT

RU

CS

TR

PL

日本語

繁體中文

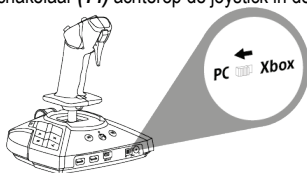
한국어

العربية

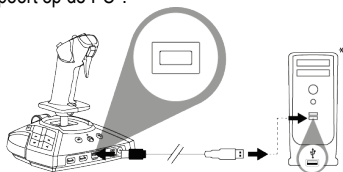
PC

INSTALLATIE OP DE PC*

1. Ga naar <https://support.thrustmaster.com>. Klik op **Joysticks / TCA Sidestick X Airbus Edition** en selecteer **Drivers**. Download en installeer de PC-driver en de speciaal aangepaste interface voor het Windows-configuratiescherm.
2. Zet de keuzeschakelaar **(14)** achterop de joystick in de stand PC.



3. Sluit de USB-C naar USB-A-kabel **(8)** aan op de USB-C-poort **(16)** op de joystick en op een USB-A-poort op de PC*.



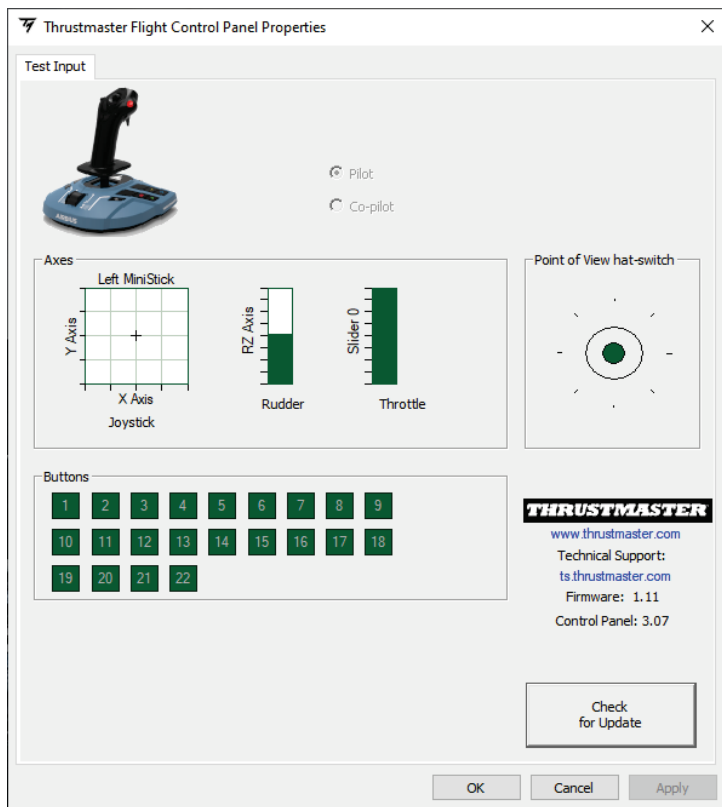
4. Start een compatibele game die HID-flightapparatuur ondersteunt.

Nu kan er gespeeld worden!

**wordt apart verkocht*

AANGEPASTE INTERFACE

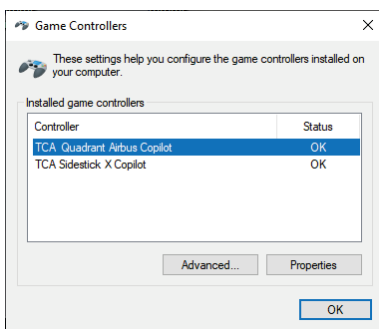
- U krijgt toegang tot de aangepaste Configuratiescherm-interface door **Start / Apps / Thrustmaster / Configuratiescherm** te selecteren (in Windows® 10/11). Het dialoogvenster **Spelbesturingen** wordt weergegeven. Het apparaat wordt op het scherm weergegeven met de naam **TCA Sidestick X** en de status **OK**.
- Klik op **Eigenschappen** in het dialoogvenster **Spelbesturingen** om alle functies te bekijken en te testen.



CONNECTIVITEIT VAN DE TCA SIDESTICK X AIRBUS EDITION OP DE PC*

De TCA Sidestick X Airbus Edition beschikt over vier assen, maar u kunt het TCA Quadrant Airbus Edition*-throttle-systeem, de TCA Quadrant Add-On Airbus Edition*-modules en een TPR*-roersysteem direct aansluiten aan de achterkant van de joystick.

Wanneer de TCA Quadrant Airbus Edition en het TPR*- of TFRP*-roersysteem is aangesloten, worden ze apart weergegeven in het dialoogvenster **Spelbesturingen** als virtuele apparaten:

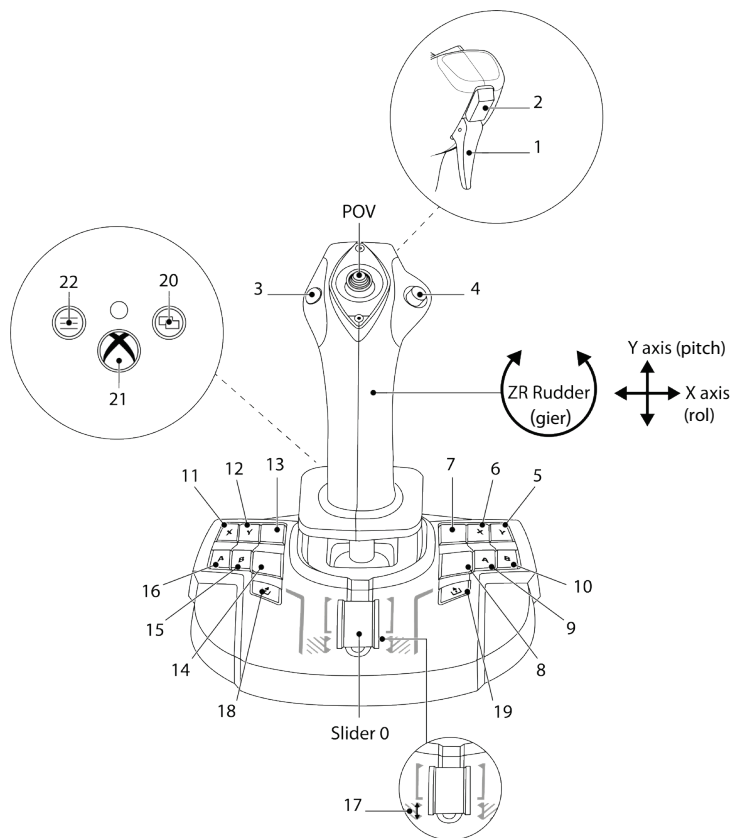


Aansluiten van het TPR*- of TFRP*-roersysteem:

- De driver moet worden geïnstalleerd om de apparaten goed te laten functioneren.
- Als het roersysteem is aangesloten op de joystick of op het throttle-systeem dat is aangesloten op de joystick, worden de drie assen van het roersysteem samengevoegd met het virtuele kwadrant (TCA Quadrant Airbus Copilot).

**wordt apart verkocht*

PC-MAPPING



EN

FR

DE

NL

IT

ES

PT

RU

CS

TR

PL

日本語

繁體中文

한국어

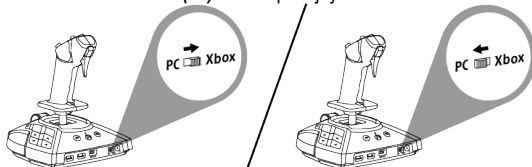
العربية

DE TCA SIDESTICK X AIRBUS EDITION INSTALLEREN IN COMBINATIE MET DE TCA QUADRANT AIRBUS EDITION* EN DE TPR*- EN TFRP*-ROERSYSTEMEN

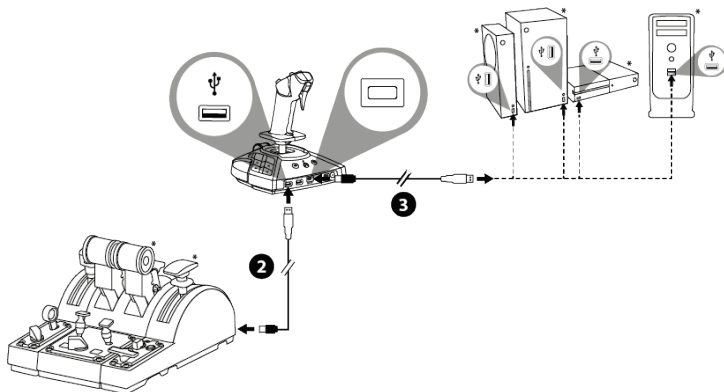
THROTTLE EN ADD-ON-MODULES

De TCA Quadrant Airbus Edition* gerelateerd aan de TCA Quadrant Add-On Airbus Edition*- modules kan wordt aangesloten op de joystick.

1. Zet de keuzeschakelaar **(14)** achterop de joystick in de stand Xbox of PC.



2. Sluit een USB-C naar USB-A-kabel **(8)** aan op de USB-C-poort van de throttle en op een USB-A-poort **(17)** achterop de joystick.
3. Sluit een tweede USB-C naar USB-A-kabel **(8)** aan op de USB-C-poort **(16)** op de joystick en op een USB-A-poort op de console of de PC.



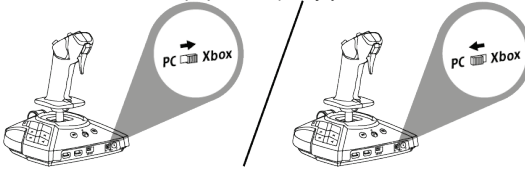
*wordt apart verkocht

ROERSYSTEEM

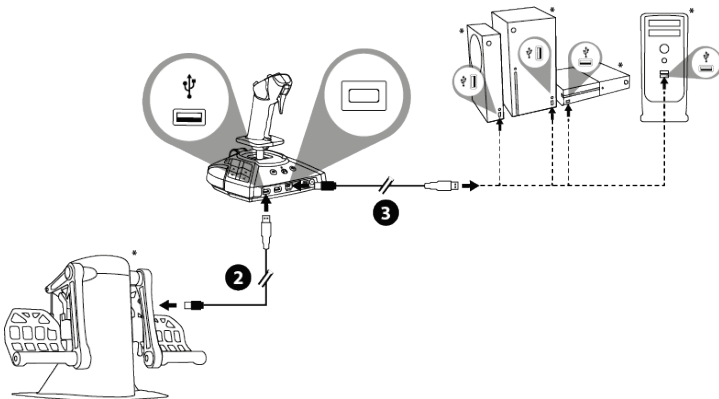
Drie assen zijn gereserveerd voor de TPR*- en TFRP*-roersystemen.

Het TPR*-roersysteem wordt aangesloten op de joystick.

1. Zet de keuzeschakelaar **(14)** achterop de joystick in de stand Xbox of PC.



2. Sluit de USB-A naar USB-C-kabel van het roersysteem aan op de USB-B-poort op het roersysteem en op een USB-A-poort **(17)** achterop de joystick.
3. Sluit de USB-C naar USB-A-kabel **(8)** aan op de USB-C-poort **(16)** op de joystick en op een USB-A-poort op de console of PC.

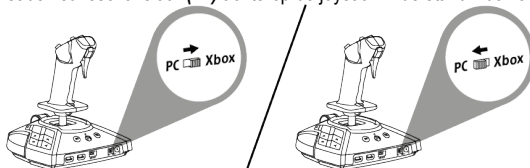


Op de Xbox Series X|S* / Xbox One* is het niet mogelijk om een TPR*-roersysteem aan te sluiten wanneer al twee TCA Quadrant Airbus Edition*-throttle-systemen zijn aangesloten op de TCA Sidestick X Airbus Edition.

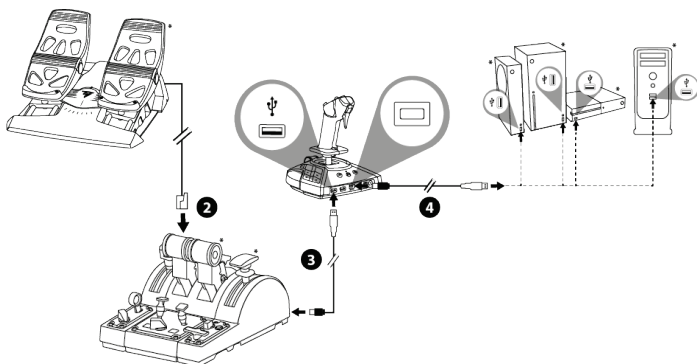
*wordt apart verkocht

Het TFRP*-roersysteem wordt aangesloten op het throttle-systeem wanneer u de TCA Quadrant Airbus Edition* gebruikt.

1. Zet de keuzeschakelaar (14) achterop de joystick in de stand Xbox of PC.



2. Sluit de RJ12-connector van het roersysteem aan op de RJ12-poort achterop het TCA Quadrant Airbus Edition-throttle-systeem*.
3. Sluit een USB-C naar USB-A-kabel (8) aan op de USB-C-poort van het throttle-systeem en op een USB-A-poort (17) achterop de joystick.
4. Sluit een tweede USB-C naar USB-A-kabel (8) aan op de USB-C-poort (16) op de joystick en op een USB-A-poort op de console of de PC.



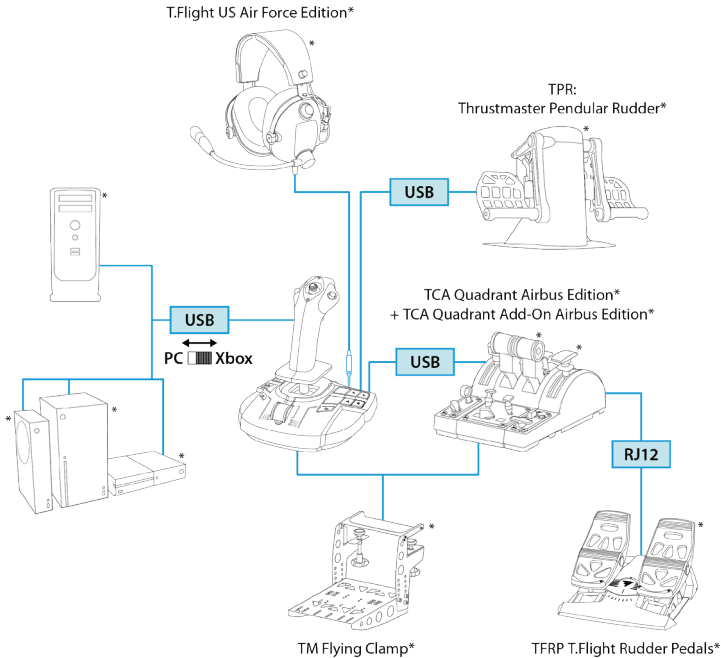
Automatisch kalibreren van de assen:

- Laat bij het aansluiten van het roer op de joystick of op het throttle-systeem, de as van het roer altijd in de middenstand staan. Haal uw voeten van het roer af.
- De 3 assen van de pedalen kalibreren zich automatisch na een paar bewegingen en nadat de fysieke eindpunten voor de roeras en de 2 assen van de differentieelremmen zijn bereikt.

*wordt apart verkocht

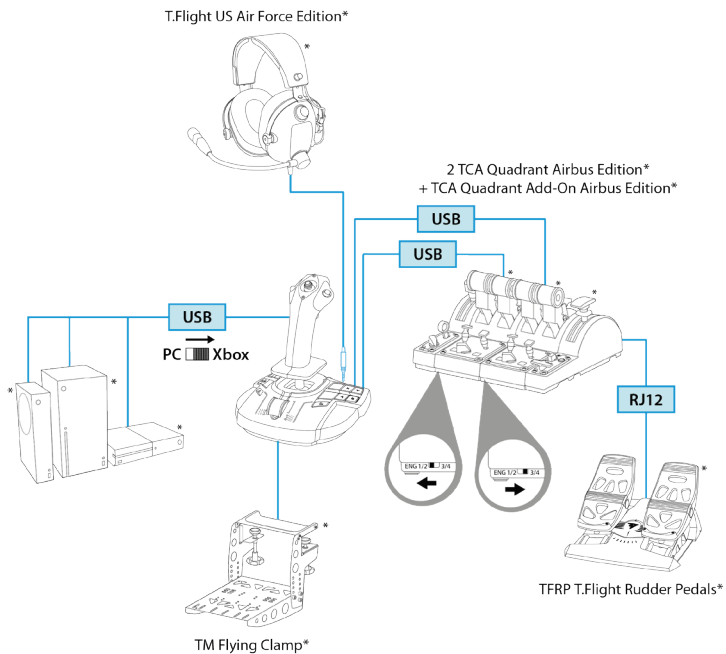
DE TCA SIDESTICK X AIRBUS EDITION VERBINDEN MET ALLE COMPATIBELE PRODUCTEN

XBOX SERIES X|S – XBOX ONE – PC



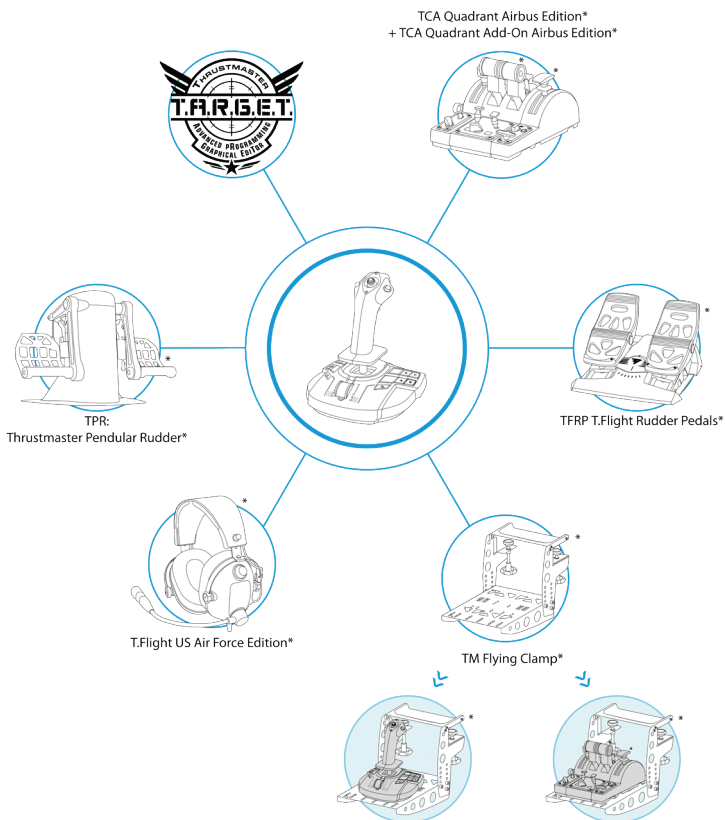
*wordt apart verkocht

XBOX SERIES X|S – XBOX ONE



*wordt apart verkocht

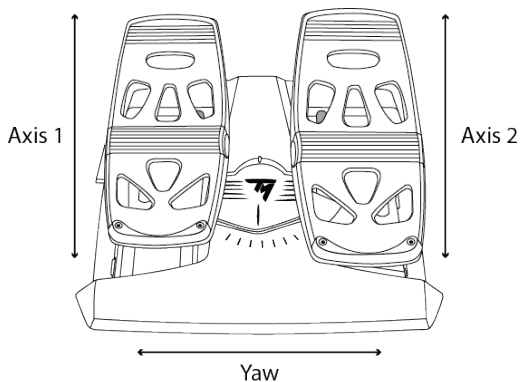
HET TCA-ECOSYSTEEM



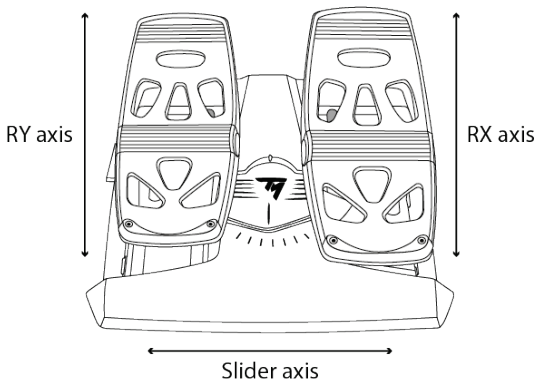
*wordt apart verkocht

MAPPING VOOR HET TFRP*-ROERSYSTEEM AANGESLOTEN OP DE TCA SIDESTICK X AIRBUS EDITION VIA DE TCA QUADRANT AIRBUS EDITION*

XBOX-MAPPING



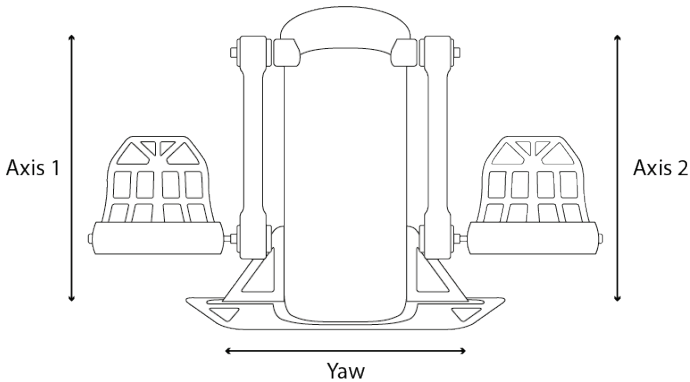
PC-MAPPING



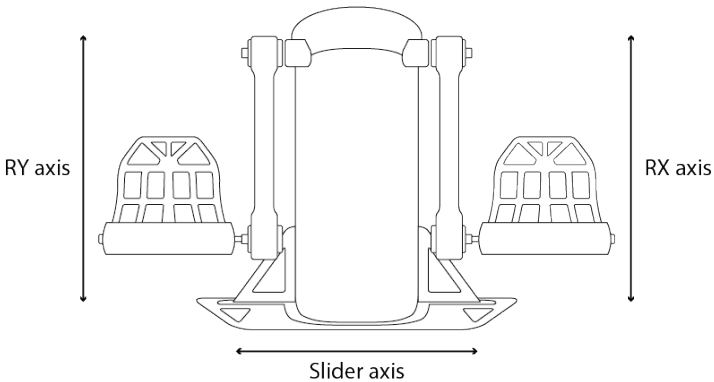
**wordt apart verkocht*

MAPPING VOOR HET TPR* ROERSYSTEEM AANGESLOTEN OP DE TCA SIDESTICK X AIRBUS EDITION

XBOX-MAPPING



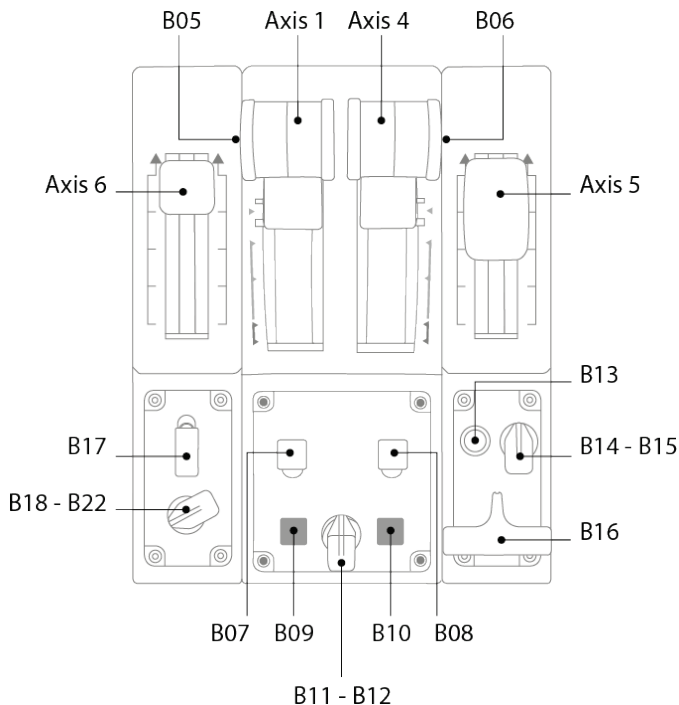
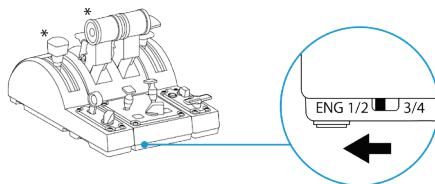
PC-MAPPING



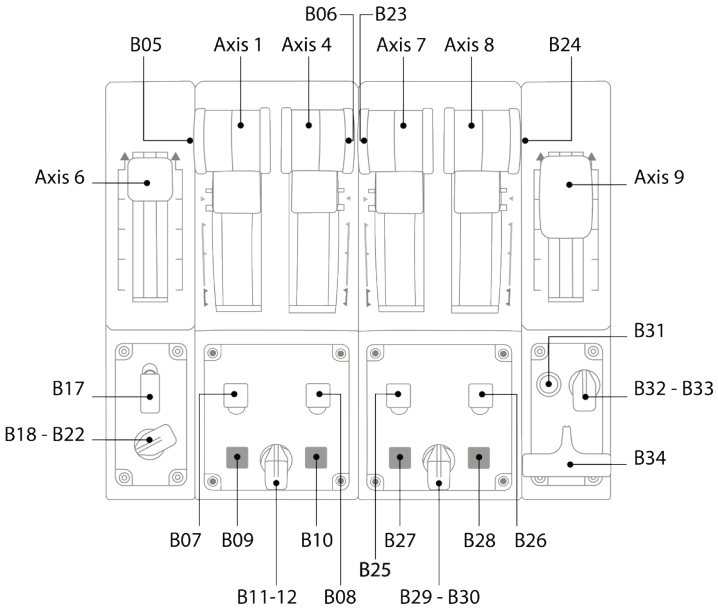
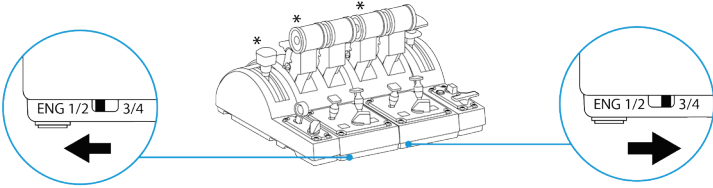
*wordt apart verkocht

MAPPING VOOR DE TCA QUADRANT AIRBUS EDITION* EN DE TCA QUADRANT ADD-ON AIRBUS EDITION* AANGESLOTEN OP DE TCA SIDESTICK X AIRBUS EDITION

XBOX-MAPPING

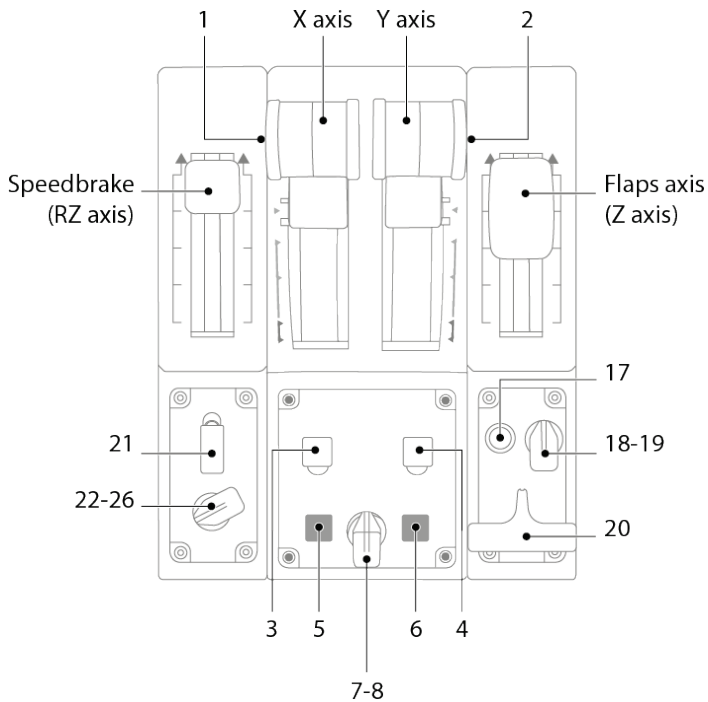
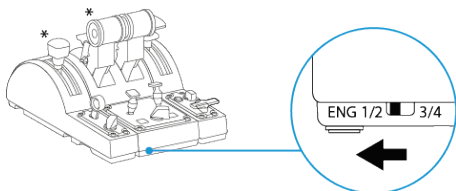


*wordt apart verkocht



*wordt apart verkocht

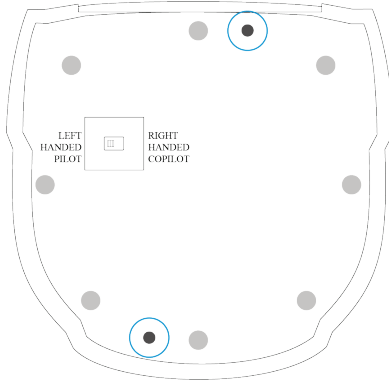
PC-MAPPING



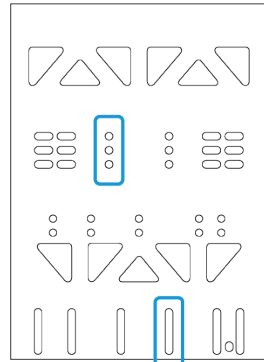
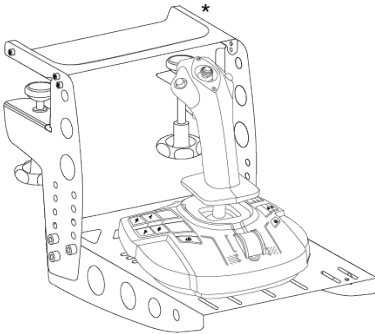
**wordt apart verkocht*

DE TCA SIDESTICK X AIRBUS EDITION INSTALLEREN OP DE TM FLYING CLAMP*, EEN COCKPIT OF EEN ANDERE VASTE STEUN

U kunt de twee openingen onderop de TCA Sidestick X Airbus Edition gebruiken om de joystick vast te maken aan een vaste steun met behulp van M6-boutjes (niet meegeleverd).



DE TCA SIDESTICK X AIRBUS EDITION INSTALLEREN OP DE TM FLYING CLAMP*:



*wordt apart verkocht

DE FIRMWARE VAN DE TCA SIDESTICK X AIRBUS EDITION BIJWERKEN

De firmware in de joystick kan worden bijgewerkt om te profiteren van productverbeteringen.

Om de versie van firmware van uw joystick weer te geven en deze firmware indien nodig bij te werken, gaat u op de PC naar <https://support.thrustmaster.com>. Klik op **Joysticks / TCA Sidestick X Airbus Edition / Firmware** en volg de instructies en de download- en installatieprocedure.



De enige apparaten die worden ondersteund, zijn het TCA Quadrant Airbus Edition*-throttle-systeem in combinatie met de TCA Quadrant Add-On Airbus Edition*-modules en de TPR*- en TFRP*-roersystemen.

Nu kan er gespeeld worden!

**wordt apart verkocht*

T.A.R.G.E.T GEAVANCEERDE PROGRAMMEER-SOFTWARE (Thrustmaster Advanced pRogramming Graphical EdiTor)

T.A.R.G.E.T (Thrustmaster Advanced pRogramming Graphical EdiTor) is een innovatieve en hoog presterende softwarebundel waarmee het gebruik van de meeste Thrustmaster-flightcontrollers geoptimaliseerd kan worden en profielen gedeeld kunnen worden met de Thrustmaster-community.

DOWNLOADEN VAN T.A.R.G.E.T

Ga naar <https://support.thrustmaster.com>. Klik op **Joysticks / TCA Sidestick X Airbus Edition** en selecteer **Software**. Download en installeer de T.A.R.G.E.T. geavanceerde programmeersoftware.

BELANGRIJKSTE KENMERKEN VAN T.A.R.G.E.T:

- Verschillende mogelijke configuraties voor de assen.
- Verschillende mogelijke programmeerniveaus: Basic, Advanced en Script.
- Gebruik van "Drag and Drop".
- De mogelijkheid om de TCA Sidestick X Airbus Edition te combineren met andere Thrustmaster-joysticks (Hotas Cougar*, Hotas Warthog*, T.16000M*, MFD Cougar Pack*, ook compatibel met T.A.R.G.E.T), waardoor ze worden herkend als één enkel USB-apparaat.
- Toegang tot geavanceerde profielen gemaakt door de Thrustmaster-community.



**wordt apart verkocht*

BELANGRIJKE OPMERKINGEN

Plaats bij het aansluiten van de joystick de stick en het roer altijd in de middenstand en beweeg ze niet, om kalibratieproblemen te voorkomen.

PROBLEMEN OPLOSSEN EN WAARSCHUWINGEN

Mijn joystick werkt niet goed of lijkt slecht gekalibreerd te zijn.

- Controleer dat de keuzeschakelaar (**14**) in de correcte stand (Xbox of PC) staat voordat de USB-kabel wordt aangesloten op de console of de PC.
- Schakel uw PC of console uit, koppel uw joystick los, sluit de joystick opnieuw aan en start de game opnieuw op.
- Plaats bij het aansluiten van de joystick de stick en het roer altijd in de middenstand en beweeg ze niet, om kalibratieproblemen te voorkomen.

Ik kan mijn joystick niet configureren.

- Selecteer de meest geschikte configuratie in het menu **Opties / Controller / Gamepad** of **Joystick** van de game, of configureer de opties van de controller helemaal opnieuw.
- Raadpleeg de handleiding of de online help van de game voor meer informatie.

Mijn joystick reageert te gevoelig of reageert niet gevoelig genoeg.

- De TCA Sidestick X Airbus Edition kalibreert zichzelf automatisch na een paar bewegingen op de verschillende assen.
- Pas in het menu **Opties / Controller / Gamepad** of **Joystick** van de game de gevoeligheid en dode zones aan voor de controller (als deze opties beschikbaar zijn).

De microfoonconnector van de TCA Sidestick X Airbus Edition werkt niet goed.

- De TCA Sidestick X Airbus Edition heeft een USB-geluidsapparaat. De eerste keer dat een USB-geluidsapparaat wordt aangesloten in Windows wordt het standaardvolume voor alle microfoons op nul gezet.
- Om het probleem op te lossen, opent u de Windows-geluidsinstellingen voor de TCA Sidestick X Airbus Edition-microfoonconnector en stelt u het geluidsniveau in op 100%.

Op de PC werken de aangesloten apparaten niet goed.

- Installeer de PC-driver. Ga naar <https://support.thrustmaster.com>. Klik op **Joysticks / TCA Sidestick X Airbus Edition** en selecteer **Drivers**. Download en installeer de PC-driver en de speciaal aangepaste interface voor het Windows-configuratiescherm.



Dit apparaat is louter bestemd voor recreatief gamen. Het is ten zeerste verboden dit apparaat te gebruiken voor professionele trainingsactiviteiten.

Informatie met betrekking tot kopersgarantie

Wereldwijd garandeert Guillemot Corporation S.A., het statutair adres gevestigd aan de Place du Granier, B.P. 97143, 35571 Chantepie, Frankrijk, (hierna te noemen "Guillemot") aan de koper dat dit Thrustmaster-product vrij zal zijn van materiaal- en fabricagefouten gedurende een garantieperiode gelijk aan de tijd maximaal vereist om een restitutie/vervanging voor dit product te claimen. In landen van de Europese Unie komt dit overeen met een periode van twee (2) jaar vanaf het moment van levering van het Thrustmaster-product. In andere landen komt de garantieperiode overeen met de tijd maximaal vereist om een restitutie/vervanging voor dit Thrustmaster-product te claimen zoals wettelijk is vastgelegd in het land waarin de koper woonachtig was op de datum van aankoop van het Thrustmaster-product. Indien een dergelijk claimrecht niet wettelijk is vastgelegd in het betreffende land, geldt een garantieperiode van één (1) jaar vanaf datum aankoop van het Thrustmaster-product.

Indien u in de garantieperiode een defect meent te constateren aan dit product, neem dan onmiddellijk contact op met Technical Support die u zal informeren over de te volgen procedure. Als het defect wordt bevestigd, dient het product te worden geretourneerd naar de plaats van aankoop (of een andere locatie die wordt opgegeven door Technical Support).

Binnen het gestelde van deze garantie wordt het defecte product van de koper gerepareerd of vervangen, zulks ter beoordeling van Technical Support. Indien het Thrustmaster-product tijdens de garantieperiode is onderworpen aan een dergelijk herstel, wordt elke periode van ten minste zeven (7) dagen waarin het product niet in gebruik is, opgeteld bij de resterende garantieperiode (deze periode loopt vanaf de datum van verzoek van de consument voor interventie of vanaf de datum waarop het product in kwestie beschikbaar is gesteld voor herstel als de datum waarop het product ter beschikking wordt gesteld voor herstel later is dan de datum van het verzoek om interventie). Indien toegestaan door van toepassing zijnde wetgeving, beperkt de volledige aansprakelijkheid van Guillemot en haar dochterondernemingen (inclusief de aansprakelijkheid voor vervolgschade) zich tot het repareren of vervangen van het Thrustmaster-product. Indien toegestaan door van toepassing zijnde wetgeving, wijst Guillemot elke garantie af met betrekking tot verhandelbaarheid of geschiktheid voor enig doel.

Deze garantie is niet van kracht: (1) indien het product aangepast, geopend of gewijzigd is, of beschadigd is ten gevolge van oneigenlijk of onvoorzichtig gebruik, verwaarlozing, een ongeluk, normale slijtage, of enige andere oorzaak die niet gerelateerd is aan een materiaal- of fabricagefout (inclusief maar niet beperkt tot het combineren van het Thrustmaster-product met enig ongeschikt element waaronder in het bijzonder voedingsadapters, oplaadbare batterijen, opladers of enig ander element niet geleverd door Guillemot voor dit product); (2) als het product is gebruikt voor enig ander doel dan thuisgebruik, zoals maar niet exclusief een professioneel of commercieel doel (bijvoorbeeld game rooms, training, wedstrijden); (3) indien u zich niet houdt aan de instructies zoals verstrekt door Technical Support; (4) op software die onder een specifieke garantie valt; (5) op verbruiksartikelen (elementen die tijdens de levensduur van het product worden vervangen zoals bijvoorbeeld batterijen of pads van een headset of koptelefoon); (6) op accessoires (zoals bijvoorbeeld kabels, behuizingen, hoesjes, etuis, draagtassen of polsbandjes); (7) indien het product werd verkocht op een openbare veiling.

Deze garantie is niet overdraagbaar.

De wettelijke rechten van de koper die in zijn/haar land van toepassing zijn op de verkoop van consumentenproducten worden op generlei wijze door deze garantie beperkt.

Aanvullende garantiebepalingen

Gedurende de garantieperiode zal Guillemot in principe nooit reserveonderdelen leveren omdat Technical Support de enige partij is die bevoegd is een Thrustmaster-product te openen en/of te herstellen (met uitzondering van een herstelprocedure die de klant door Technical Support gevraagd wordt uit te voeren met behulp van schriftelijke instructies – omdat deze procedure bijvoorbeeld eenvoudig is en het herstelproces niet vertrouwelijk is – en door het verstrekken aan de consument van de benodigde onderdelen, indien van toepassing).

Gezien de innovatiecycli en om haar knowhow en handelsgeheimen te beschermen, zal Guillemot in principe nooit een herstelbeschrijving of reserveonderdelen verstrekken voor een Thrustmaster-product waarvan de garantieperiode is verstreken.

Aansprakelijkheid

Indien toegestaan door van toepassing zijnde wetgeving, wijzen Guillemot Corporation S.A. (hierna te noemen "Guillemot") en haar dochterondernemingen alle aansprakelijkheid af voor enige schade veroorzaakt door één van de volgende oorzaken: (1) indien het product aangepast, geopend of gewijzigd is; (2) de montage-instructies niet zijn opgevolgd; (3) oneigenlijk of onvoorzichtig gebruik, verwaarlozing, een ongeluk (bijvoorbeeld stoten); (4) normale slijtage; (5) het gebruik van het product voor enig ander doel dan thuisgebruik, zoals maar niet exclusief een professioneel of commercieel doel (bijvoorbeeld game-rooms, training, wedstrijden). Indien toegestaan onder van toepassing zijnde wetgeving, wijzen Guillemot en haar dochterondernemingen alle aansprakelijkheid af voor enige schade aan dit product niet gerelateerd aan een materiaal- of fabricagefout (inclusief maar niet beperkt tot enige schade direct of indirect veroorzaakt door enige software, of door het combineren van het Thrustmaster-product met enig ongeschikt element waaronder in het bijzonder voedingsadapters, oplaadbare batterijen, opladers of enig ander element niet geleverd door Guillemot voor dit product).

THRUSTMASTER®

TECHNISCHE ONDERSTEUNING

<https://support.thrustmaster.com>



COPYRIGHT

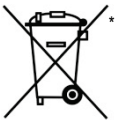
©2022 Guillemot Corporation S.A. Alle rechten voorbehouden. Thrustmaster® is een geregistreerd handelsmerk van Guillemot Corporation S.A. Gefabriceerd en gedistribueerd door Guillemot Corporation S.A.

AIRBUS, haar logo en haar product- en servicemarkeringen zijn geregistreerde handelsmerken van Airbus. Alle rechten voorbehouden. © Airbus 2022. Alle rechten voorbehouden. Met officiële licentie van Airbus.

Microsoft, Xbox, het Xbox "Sphere" Design, Xbox Series X|S, Xbox One en Windows 10/11 zijn handelsmerken van de Microsoft groep bedrijven.

Alle andere handelsmerken en merknamen worden hierbij erkend en zijn eigendom van de respectieve eigenaren. Inhoud, ontwerp en specificaties kunnen zonder voorafgaande kennisgeving worden gewijzigd en kunnen per land verschillen. Aan foto's en illustraties kunnen geen rechten worden ontleend. Ontworpen in Europa en Noord-Amerika. Gefabriceerd in China.

AANBEVELINGEN VOOR DE BESCHERMING VAN HET MILIEU



In de Europese Unie, het Verenigd Koninkrijk en Turkije: gooi dit product na het einde van de levensduur niet weg met het normale afval, maar breng het naar het door uw gemeente aangewezen inzamelpunt voor elektrische en/of computerapparatuur.

Ter herinnering is hiertoe op het product, de gebruikshandleiding of de verpakking een symbool aangebracht.

De meeste materialen kunnen worden gerecycled. Door recycling en andere methoden voor verantwoorde verwerking van afgedankte elektrische en elektronische apparaten kunt u een belangrijke bijdrage leveren aan de bescherming van het milieu.

Neem contact op met uw gemeente voor informatie over een inzamelpunt bij u in de buurt.

In alle andere landen: houd u aan de plaatselijk milieuwetgeving voor elektrische en elektronische apparaten.

Bewaar deze informatie. De kleuren en bestickering kunnen variëren.

Plastic bevestigingen en hechtmaterialen moeten van het product worden verwijderd voordat het wordt gebruikt.

www.thrustmaster.com

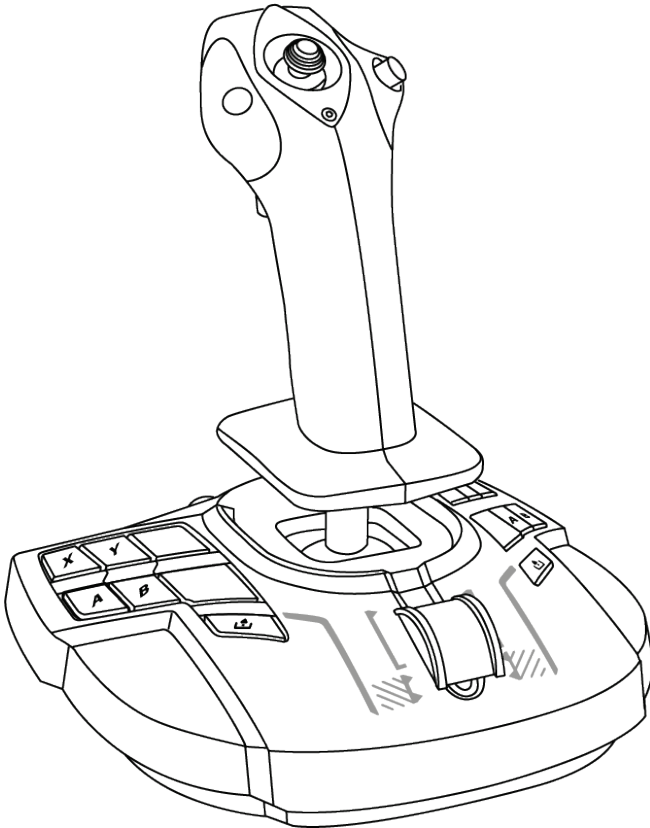
**Alleen van toepassing in de EU, het VK en Turkije*



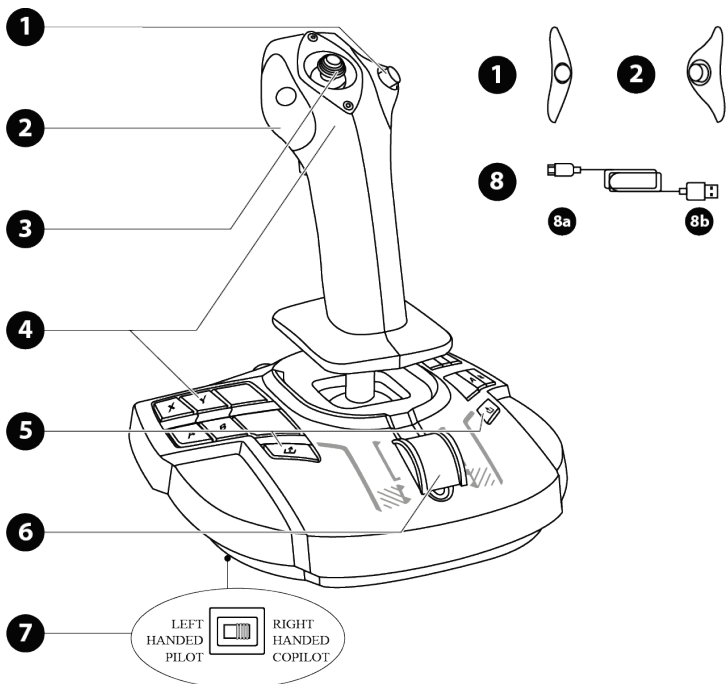
TCA SIDESTICK X AIRBUS EDITION

XBOX SERIES X|S – XBOX ONE – PC

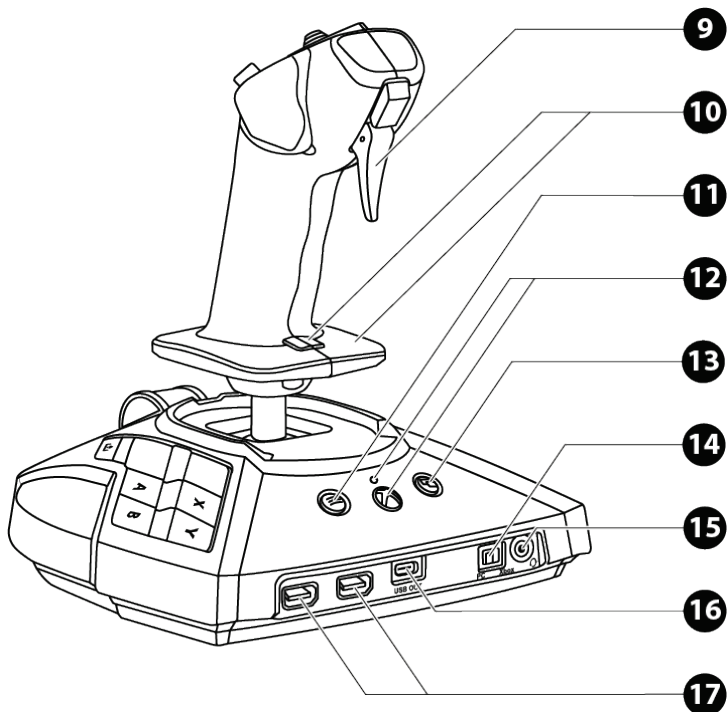
Manuale d'uso



CARATTERISTICHE TECNICHE



1. Moduli pulsante destro
2. Moduli pulsante sinistro
3. Pomello multidirezionale "Angolo di Visuale"
4. 21 pulsanti azione su Xbox, 22 pulsanti azione su PC
5. Pulsanti condivisione (Xbox)
6. Manetta + un pulsante virtuale (solo su PC)
7. Selettore: LEFT HANDED — PILOT (mancino — pilota) / RIGHT HANDED — COPILOT (destrimane — copilota)
8. Cavo USB-C (8a) — USB-A (8b)



9. Grilletto digitale
10. Controllo del timone tramite impugnatura rotante con poggia-mano + pulsante di blocco
11. Pulsante menu (Xbox)
12. Pulsante Xbox + LED
13. Pulsante Visualizza (Xbox)
14. Selettore Xbox / PC
15. Connettore microfono mini-jack da 3,5 mm per cuffie per videogiochi*
16. Porta USB tipo C
17. Porte USB tipo A per TCA Quadrant Airbus Edition* o timone TPR*

*venduti separatamente

CONOSCERE IL TUO JOYSTICK

ESCLUSIVA TECNOLOGIA DI PRECISIONE H.E.A.R.T: Halleffect AccuRate Technology

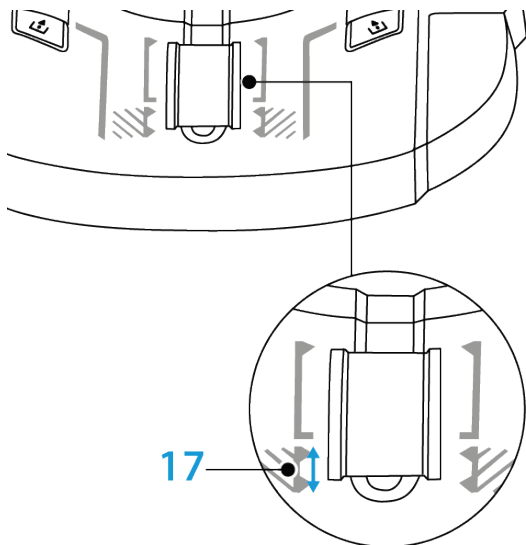
Il tuo joystick TCA Sidestick X Airbus Edition è caratterizzato da una tecnologia ad alta precisione, con:

- sensori magnetici 3D (effetto Hall) nella leva;
- un magnete: niente attrito, per una precisione illimitata e un'incredibile reattività che dureranno nel tempo;
- una molla elicoidale nella leva (2,8 mm): per una tensione decisa, lineare e fluidissima.

MANETTA

Il tuo joystick è dotato di una manetta **(6)**, che puoi utilizzare per controllare facilmente la spinta del motore del tuo aereo.

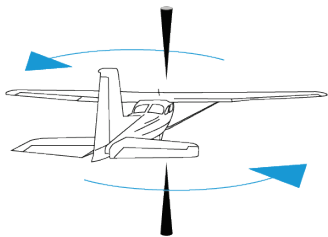
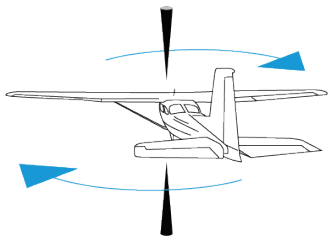
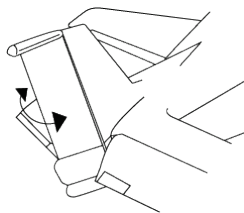
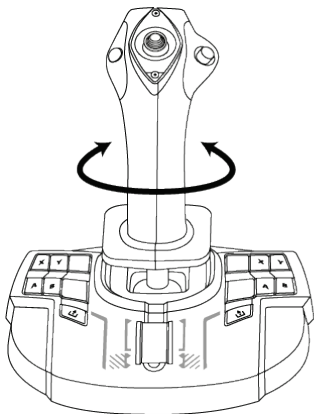
Per poter attivare gli inversori di spinta, un pulsante virtuale, disponibile solo su PC (corrispondente al numero 17 nella mappatura PC), è attivo nel primo 20 per cento della corsa della manetta.



FUNZIONE TIMONE

Il tuo joystick è dotato di una funzione timone (**10**). In un aeroplano, il pilota agisce sul timone per inclinare l'aereo lungo il suo asse verticale (facendo virare l'aereo verso destra o verso sinistra).

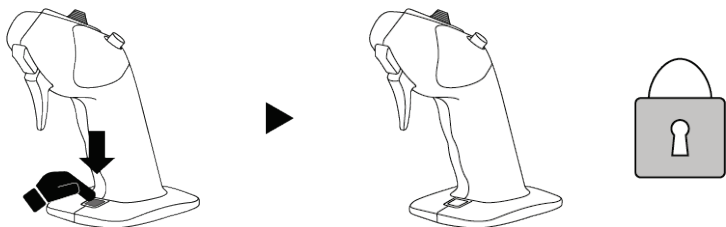
Sul tuo joystick, questa funzione timone è disponibile ruotando (ovvero torcendo) la leva verso destra o sinistra.



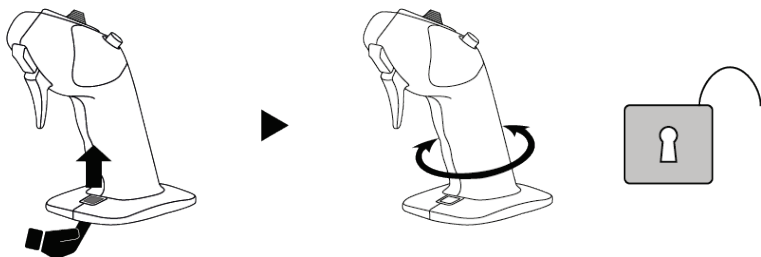
BLOCCARE/SBLOCCARE LA FUNZIONE TIMONE

La funzione timone può essere disattivata tramite il pulsante di bloccaggio presente sul retro dell'impugnatura del joystick.

Premi questo pulsante per bloccare l'asse del timone.



Riporta questo pulsante nella posizione più in alto per sbloccare l'asse del timone.



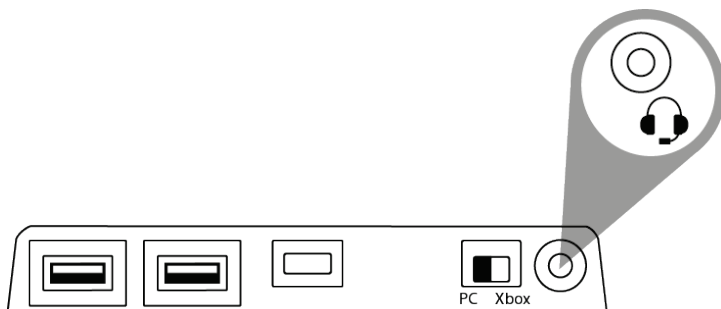
POMELLO MULTIDIREZIONALE “ANGOLO DI VISUALE”

Il tuo joystick è dotato di un pomello “Angolo di Visuale” **(3)** che ti permette di vedere istantaneamente tutto ciò che accade attorno al tuo aereo (nei giochi in cui questa funzione è attiva). Per utilizzare questa funzione, non devi far altro che accedere al menu delle impostazioni del tuo gioco e associare le varie visuali (visuale posteriore, visuale a sinistra, visuale a destra, visuali esterne) alle direzioni del pomello “Angolo di Visuale”.

Se lo desideri, puoi anche destinare il pomello “Angolo di Visuale” ad altri scopi (sparare, ecc.).

CONNETTORE MICROFONO PER CUFFIE PER VIDEOGIOCHI

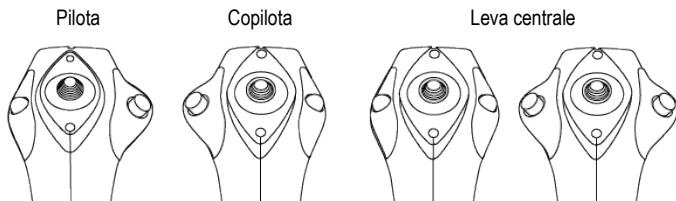
Il tuo joystick è dotato di un connettore microfono mini-jack da 3,5 mm **(15)** che consente l'uso di una cuffia per videogiochi con microfono integrato, per un'esperienza ancor più coinvolgente.



SISTEMA AMBIDESTRO E REGOLAZIONE DEI MODULI

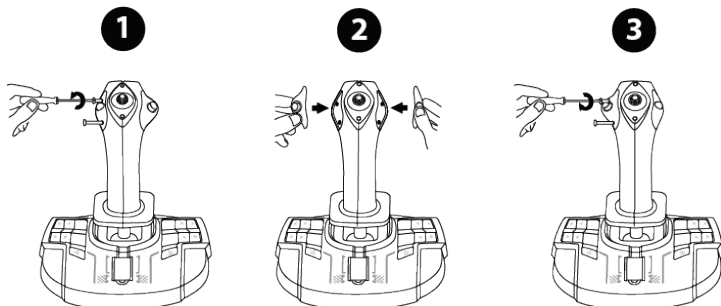
Il tuo joystick TCA Sidestick X Airbus Edition ha il vantaggio di essere ambidestro, in modo tale da adattarsi perfettamente a tutti i giocatori, sia essi destrimani o mancini.

Per default, il joystick è configurato in modalità pilota. Sono disponibili quattro configurazioni:



Per modificare la configurazione del tuo joystick:

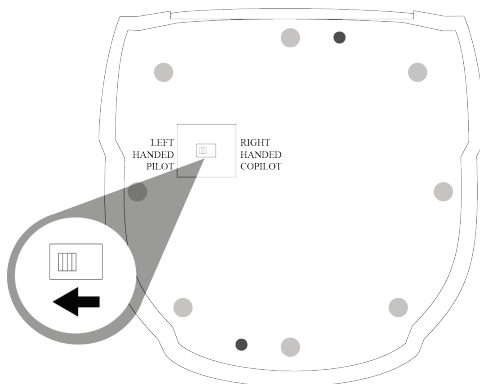
1. Utilizzando un piccolo cacciavite, svita delicatamente e rimuovi le due viti di ciascuno dei due moduli pulsanti.
2. Sostituisci i moduli in base alla tua configurazione preferita.
3. Reinserisci le viti e stringile nuovamente a fondo.



CONFIGURARE LA LEVA IN MODALITÀ MANCINO (PILOTA)

Affinché il joystick venga rilevato con modalità MANCINO (PILOTA) attivata, sposta il selettore presente sotto la base del joystick (7) su LEFT HANDED — PILOT prima di collegare il joystick.

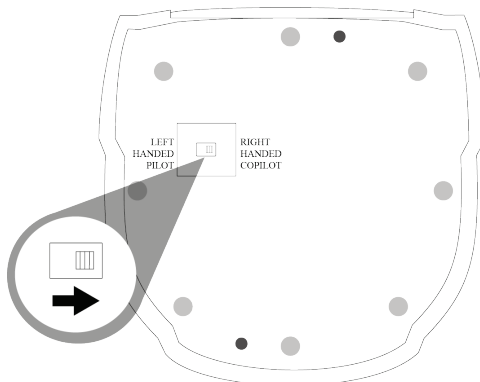
Il tuo prodotto verrà riconosciuto come un TCA Sidestick X Pilot.



CONFIGURARE LA LEVA IN MODALITÀ DESTRI MANE (COPILOTA)

Affinché il joystick venga rilevato con modalità DESTRI MANE (COPILOTA) attivata, sposta il selettore presente sotto la base del joystick (7) su RIGHT HANDED — COPILOT prima di collegare il joystick.

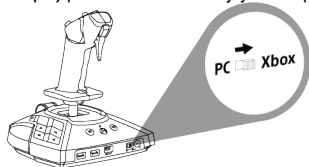
Il tuo prodotto verrà riconosciuto come un TCA Sidestick X Copilot.



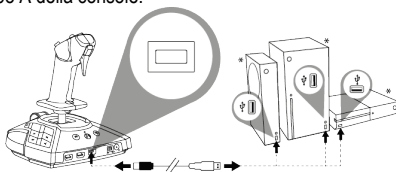
XBOX SERIES X|S / XBOX ONE

INSTALLAZIONE SU XBOX SERIES X|S* / XBOX ONE*

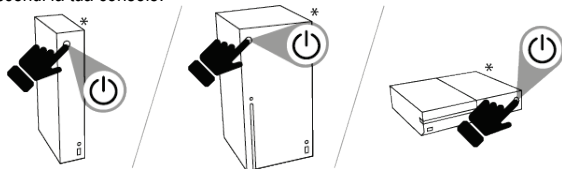
1. Sposta il selettore **(14)** presente sul retro del joystick in posizione Xbox.



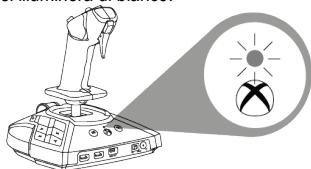
2. Collega il cavo USB-C – USB-A **(8)** alla porta USB tipo C del joystick **(16)** e a una porta USB tipo A della console.



3. Accendi la tua console.



4. Il LED del joystick si illuminerà di bianco.



5. Avvia un gioco compatibile che supporti la modalità Flight Stick.

Ora sei pronto per giocare!

**vendute separatamente*

ELENCO DEI GIOCHI XBOX SERIES X|S / XBOX ONE COMPATIBILI

Su Xbox Series X|S* / Xbox One*, TCA Sidestick X Airbus Edition:

- è compatibile solo con i giochi che supportano la modalità Flight Stick.
- nei giochi, viene riconosciuto come un joystick e non come un gamepad, per la massima reattività e la massima precisione, oltre a poter accedere alle opzioni per il joystick disponibili in questi giochi.

L'elenco dei giochi Xbox Series X|S / Xbox One compatibili con il joystick, è disponibile sul sito <https://support.thrustmaster.com> nella sezione **Joystick / TCA Sidestick X Airbus Edition**.

A questo elenco verranno regolarmente aggiunti i nuovi giochi per Xbox Series X|S / Xbox One compatibili con il TCA Sidestick X Airbus Edition.

**vendute separatamente*

EN

FR

DE

NL

IT

ES

PT

RU

CS

TR

PL

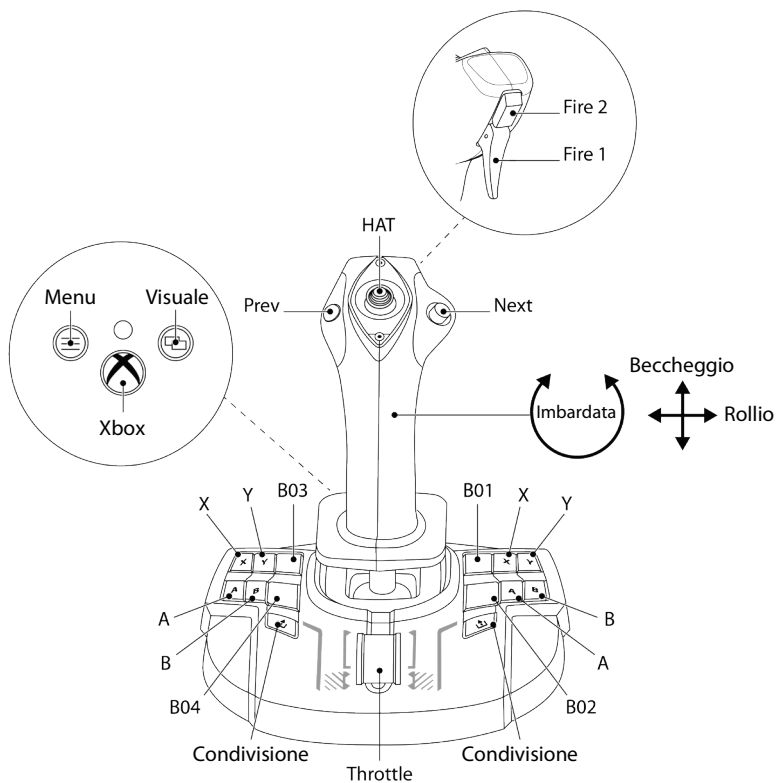
日本語

繁體中文

한국어

العربية

MAPPATURA XBOX



CONNETTIVITÀ DEL TCA SIDESTICK X AIRBUS EDITION SU XBOX SERIES X|S* / XBOX ONE*

Il TCA Sidestick X Airbus Edition dispone di quattro assi, ma ti permette di collegare direttamente al retro del joystick, il sistema manetta TCA Quadrant Airbus Edition*, i moduli TCA Quadrant Add-On Airbus Edition* e un sistema di timonaggio a TPR*.

Solo su Xbox Series X|S* / Xbox One*, è possibile collegare al TCA Quadrant Airbus Edition* un secondo sistema manetta TCA Quadrant Airbus Edition*, che permette al joystick di gestire fino a nove assi aggiuntivi.

Su Xbox Series X|S* / Xbox One*, le periferiche Thrustmaster compatibili, collegate alla porta USB tipo A, verranno accorpate al TCA Sidestick X Airbus Edition.



Le uniche periferiche supportate su Xbox Series X|S* / Xbox One* sono: TCA Quadrant Airbus Edition*, TCA Quadrant Add-On Airbus Edition* e i sistemi di timonaggio TPR* e TFRP*.

**venduti separatamente*

EN

FR

DE

NL

IT

ES

PT

RU

CS

TR

PL

日本語

繁體中文

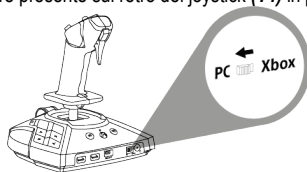
한국어

العربية

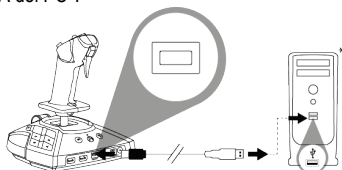
PC

INSTALLAZIONE SU PC*

1. Vai su <https://support.thrustmaster.com>. Clicca su **Joystick / TCA Sidestick X Airbus Edition** e seleziona **Driver**. Scarica e installa il driver PC e la relativa interfaccia personalizzata per il Pannello di Controllo di Windows.
2. Porta il selettore presente sul retro del joystick (**14**) in posizione PC.



3. Collega il cavo USB-C — USB-A (**8**) alla porta USB tipo C del joystick (**16**) e a una porta USB tipo A del PC*.



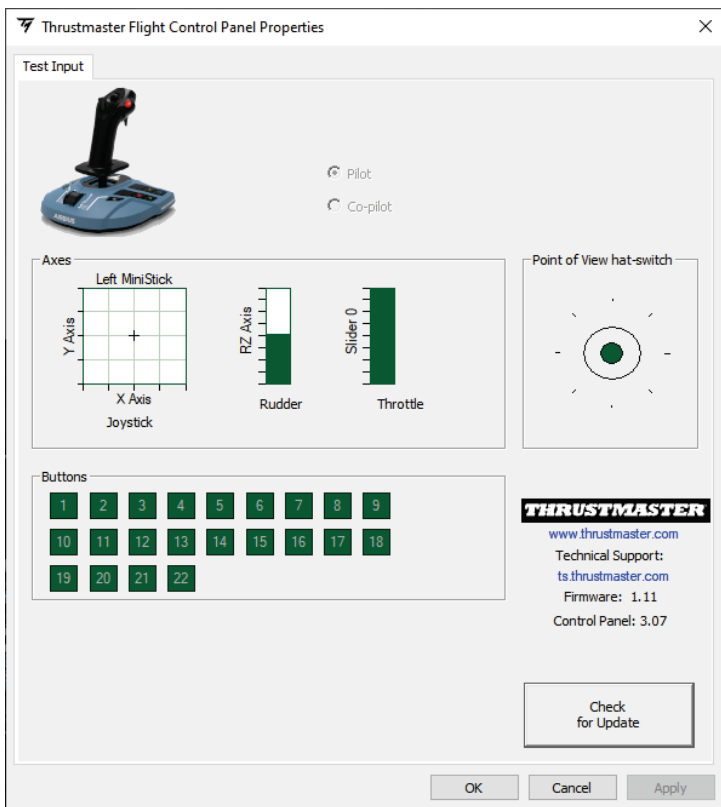
4. Avvia un gioco compatibile che supporti le periferiche di volo HID.

Ora sei pronto per giocare!

**venduto separatamente*

INTERFACCIA PERSONALIZZATA

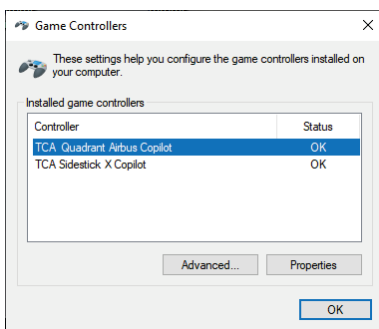
1. Per accedere all'interfaccia personalizzata del Pannello di Controllo, seleziona **Start / App / Thrustmaster / Pannello di Controllo** (in Windows® 10/11). Appare la finestra di dialogo **Periferiche di gioco**. La periferica comparirà sullo schermo con il nome di **TCA Sidestick X** e lo stato di **OK**.
2. In the **Periferiche di gioco**, clicca su **Proprietà** per visualizzare e testare tutte le funzioni.



CONNETTIVITÀ DEL TCA SIDESTICK X AIRBUS EDITION SU PC*

Il TCA Sidestick X Airbus Edition dispone di quattro assi, ma ti permette di collegare, direttamente al retro del joystick, il sistema manetta TCA Quadrant Airbus Edition*, i moduli TCA Quadrant Add-On Airbus Edition* e un sistema di timonaggio a TPR*.

Quando viene collegato un TCA Quadrant Airbus Edition*, nonché un sistema di timonaggio TPR* o TFRP*, questi compaiono nella finestra di dialogo **Periferiche di gioco** come periferiche virtuali indipendenti:

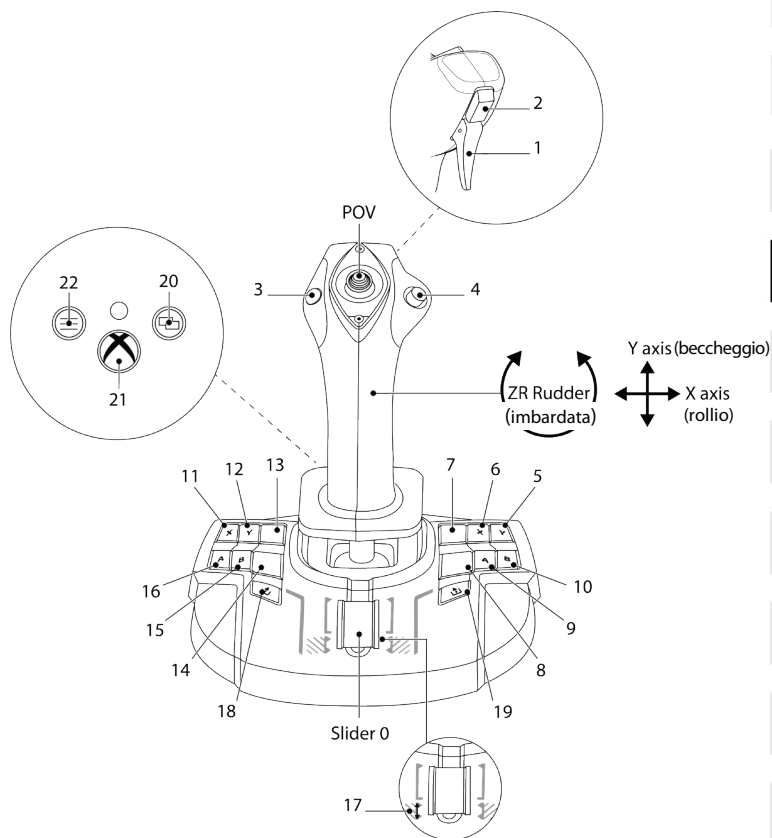


Collegamento del sistema di timonaggio TPR* o TFRP*:

- Affinché le periferiche funzionino correttamente, è necessario installarne il driver.
- Qualora il sistema di timonaggio venisse collegato al joystick o al sistema manetta collegato al joystick, i tre assi del sistema di timonaggio corrisponderanno al quadrante virtuale (TCA Quadrant Airbus Copilot).

**venduti separatamente*

MAPPATURA PC



INSTALLAZIONE DEL TCA SIDESTICK X AIRBUS EDITION ASSIEME AL TCA QUADRANT AIRBUS EDITION* E AI SISTEMI DI TIMONAGGIO TPR* E TFRP*

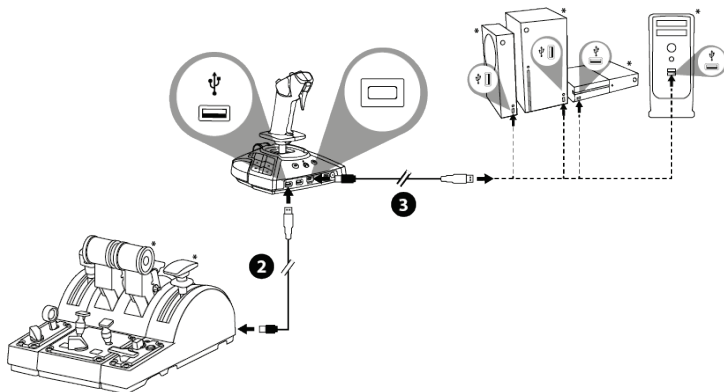
MODULI MANETTA E ADD-ON

TCA Quadrant Airbus Edition* abbinato ai moduli TCA Quadrant Add-On Airbus Edition* collegati al joystick.

1. Porta il selettore presente sul retro del joystick (**14**) in posizione Xbox o PC.



2. Collega un cavo USB-C — USB-A (**8**) alla porta USB tipo C della manetta e ad una porta USB tipo A presente sul retro del joystick (**17**).
3. Collega un secondo cavo USB-C — USB-A (**8**) alla porta USB tipo C del joystick (**16**) e ad una porta USB tipo A della console o del PC.



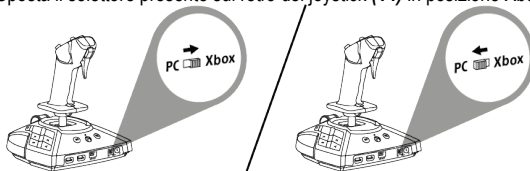
*venduti separatamente

SISTEMA DI TIMONAGGIO

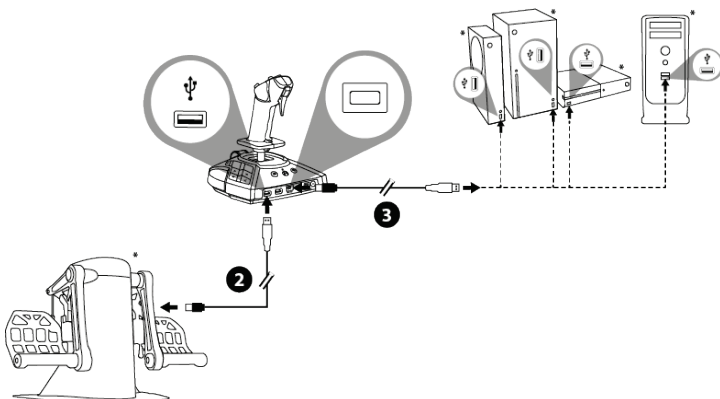
Sono tre gli assi riservati ai sistemi di timonaggio TPR* e TFRP*.

Il sistema di timonaggio **TPR*** si collega al joystick.

1. Sposta il selettore presente sul retro del joystick (**14**) in posizione Xbox o PC.



2. Collega il cavo USB-A — USB-B del sistema di timonaggio alla porta USB tipo B del sistema di timonaggio e ad una porta USB tipo A presente sul retro del joystick (**17**).
3. Collega il cavo USB-C — USB-A (**8**) alla porta USB tipo C del joystick (**16**) e ad una porta USB tipo A della console o del PC.



Su Xbox Series X|S* / Xbox One*, non è possibile collegare un sistema di timonaggio TPR* qualora risultano già collegati al TCA Sidestick X Airbus Edition due sistemi manetta TCA Quadrant Airbus Edition*.

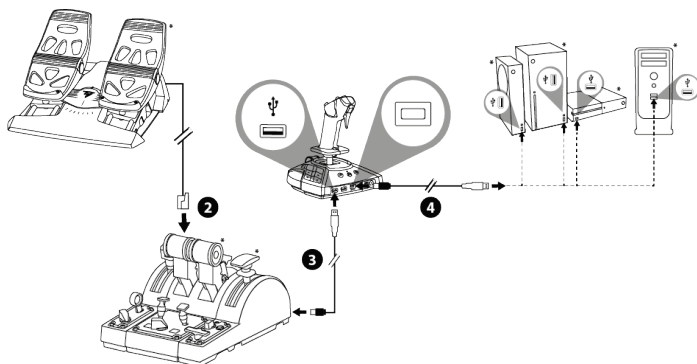
*venduti separatamente

Quando utilizzi il TCA Quadrant Airbus Edition*, il sistema di timonaggio TFRP* si collega al sistema manetta.

1. Sposta il selettore presente sul retro del joystick (**14**) in posizione Xbox o PC.



2. Collega il connettore RJ12 del sistema di timonaggio alla porta RJ12 presente sul retro del sistema manetta TCA Quadrant Airbus Edition*.
3. Collega un cavo USB-C — USB-A (**8**) alla porta USB tipo C del sistema manetta e ad una porta USB tipo A presente sul retro del joystick (**17**).
4. Collega un secondo cavo USB-C — USB-A (**8**) alla porta USB tipo C (**16**) del joystick e ad una porta USB tipo A della console o del PC.



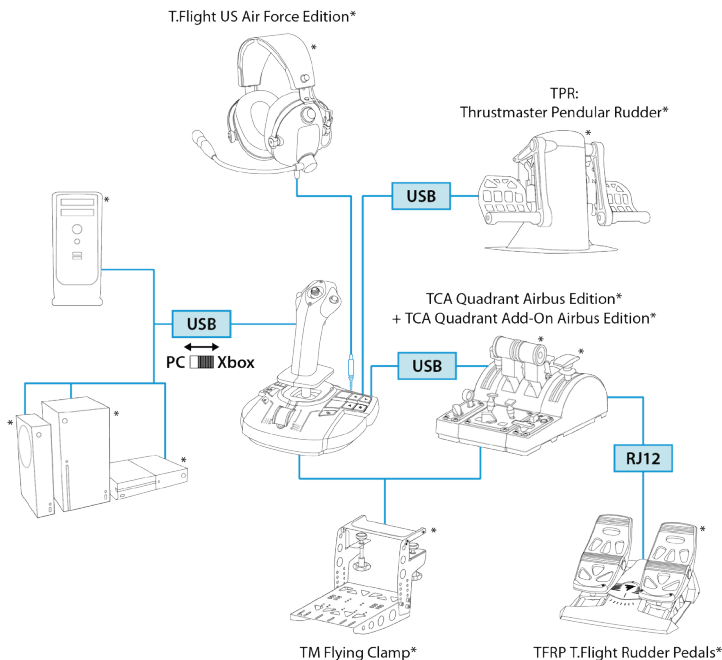
Calibrazione automatica degli assi:

- Quando colleghi il sistema di timonaggio al joystick o al sistema manetta, lascia sempre al centro l'asse del timone. Non poggiare i tuoi piedi sul timone.
- I tre assi dei pedali verranno calibrati automaticamente dopo pochi movimenti e dopo che saranno stati raggiunti i blocchi fisici dell'asse del timone e dei due assi del freno differenziale.

*venduti separatamente

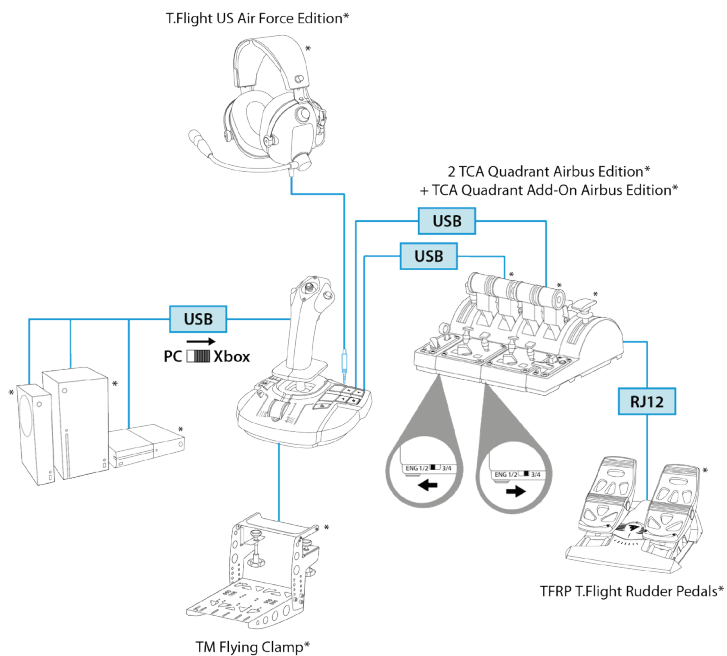
COLLEGAMENTO DEL TCA SIDESTICK X AIRBUS EDITION CON TUTTI I PRODOTTI COMPATIBILI

XBOX SERIES X|S – XBOX ONE – PC



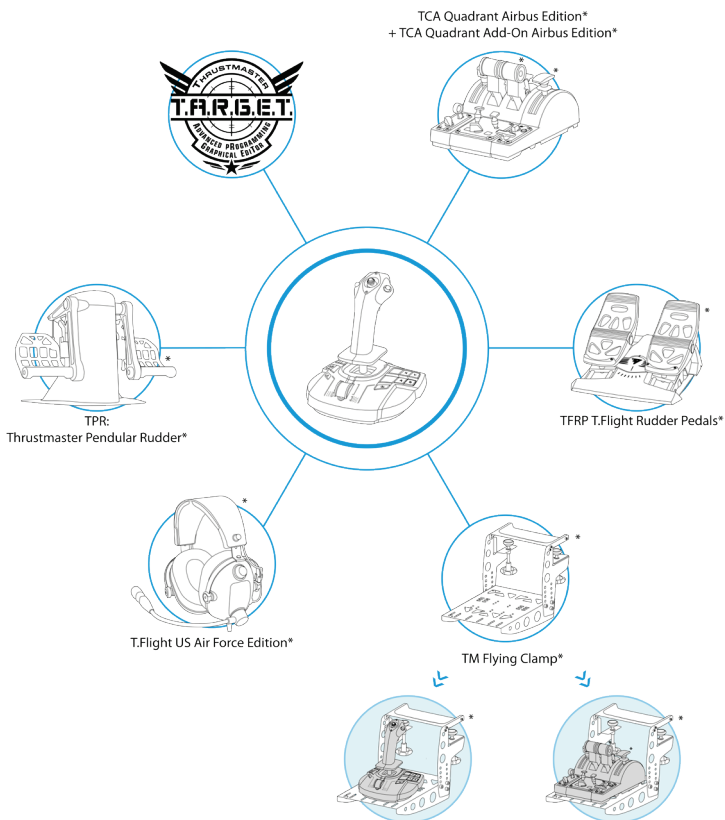
*venduti separatamente

XBOX SERIES X|S – XBOX ONE



**venduti separatamente*

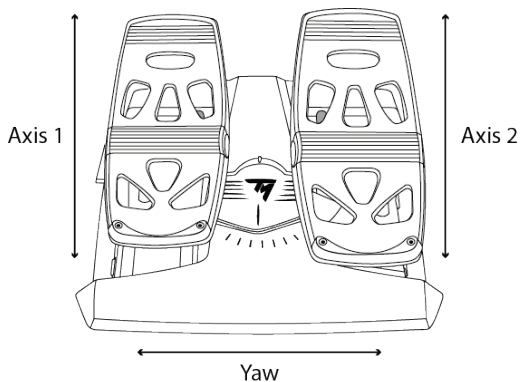
ECOSISTEMA TCA



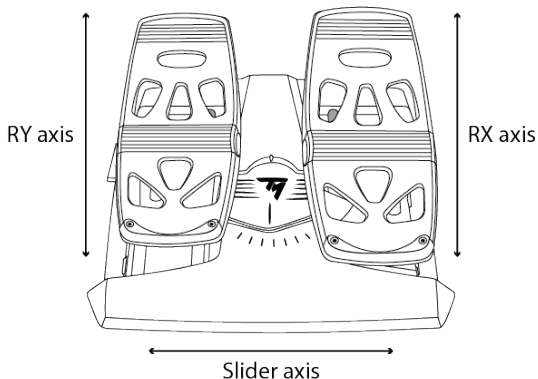
*venduti separatamente

MAPPATURA DEL SISTEMA DI TIMONAGGIO TFRP* COLLEGATO AL TCA SIDESTICK X AIRBUS EDITION TRAMITE TCA QUADRANT AIRBUS EDITION*

MAPPATURA XBOX



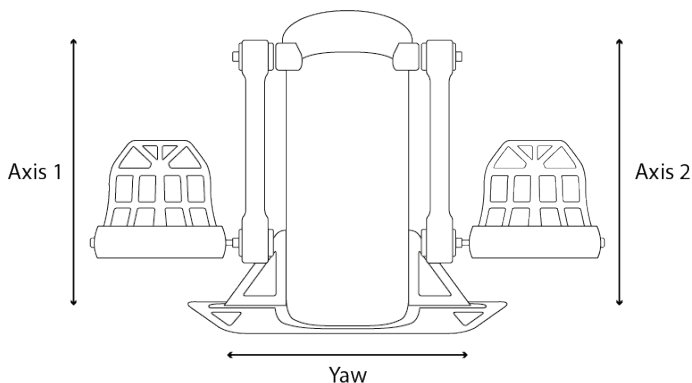
MAPPATURA PC



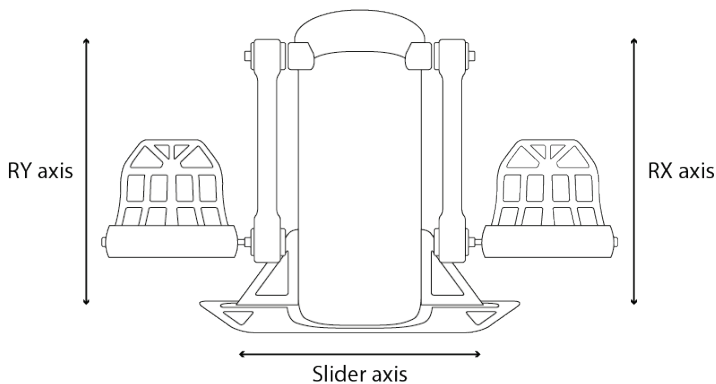
**venduti separatamente*

MAPPATURA DEL SISTEMA DI TIMONAGGIO TPR* COLLEGATO AL TCA SIDESTICK X AIRBUS EDITION

MAPPATURA XBOX



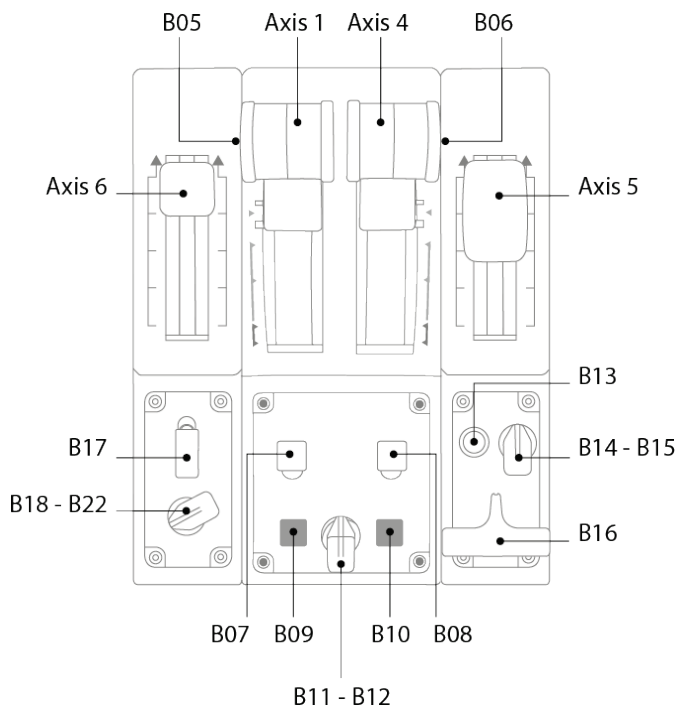
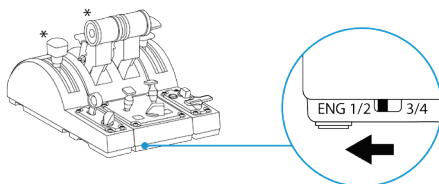
MAPPATURA PC



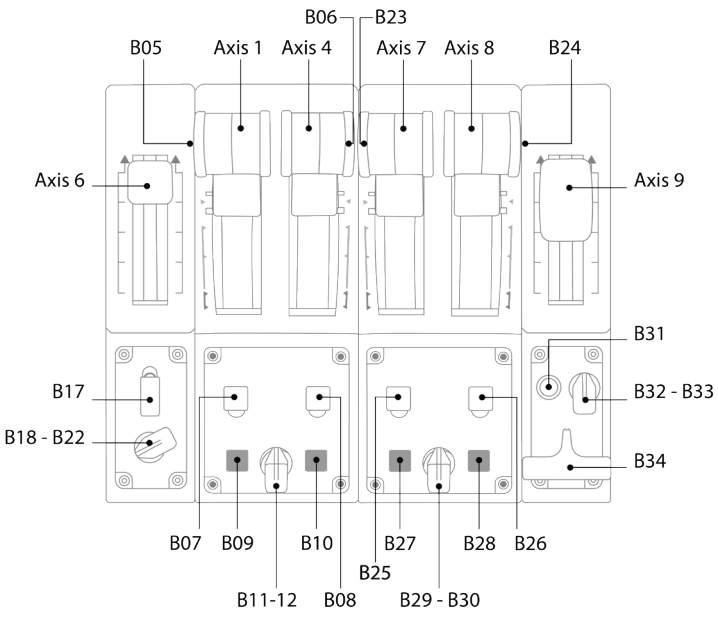
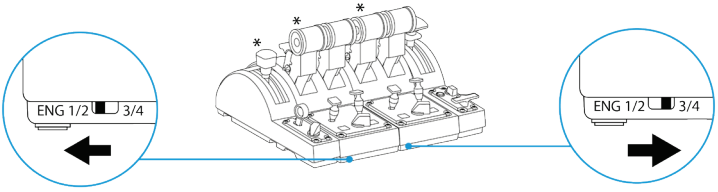
*venduti separatamente

MAPPATURA DEL TCA QUADRANT AIRBUS EDITION* E DEL TCA QUADRANT ADD-ON AIRBUS EDITION* COLLEGATI AL TCA SIDESTICK X AIRBUS EDITION

MAPPATURA XBOX

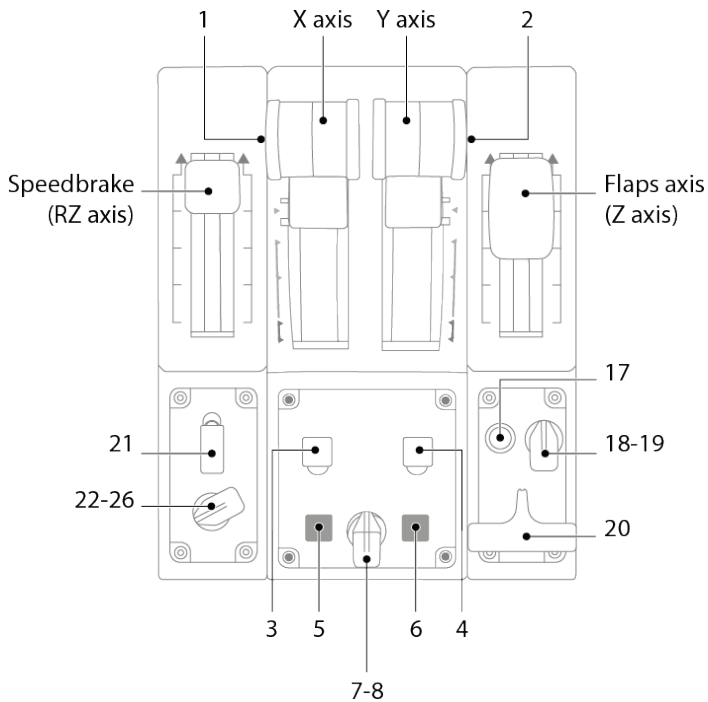
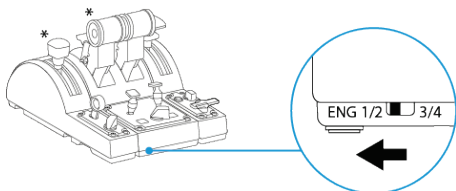


*venduti separatamente



**venduti separatamente*

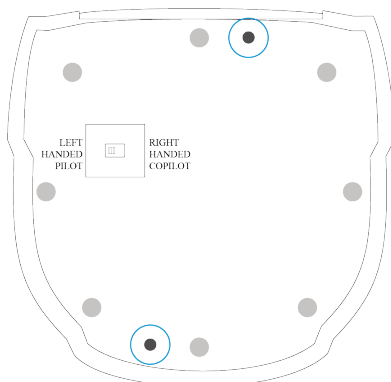
MAPPATURA PC



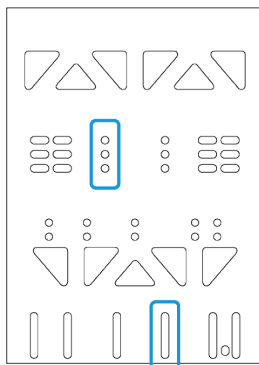
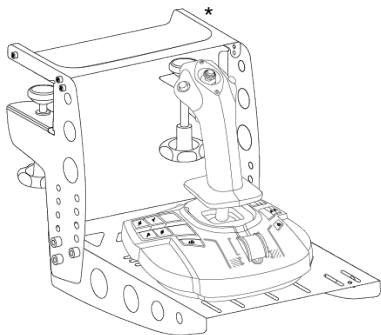
**venduti separatamente*

INSTALLAZIONE DEL TCA SIDESTICK X AIRBUS EDITION SU UNA TM FLYING CLAMP*, SU UN ABITACOLO O SU ALTRO SUPPORTO FISSO

Per fissare il joystick a un supporto fisso, puoi sfruttare i due fori presenti sotto la base del TCA Sidestick X Airbus Edition, utilizzando delle viti M6 (non incluse).



INSTALLAZIONE DEL TCA SIDESTICK X AIRBUS EDITION SULLA TM FLYING CLAMP*:



*venduta separatamente

AGGIORNAMENTO DEL FIRMWARE DEL TCA SIDESTICK X AIRBUS EDITION

Il firmware presente nel joystick è aggiornabile, per poter sfruttare migliorie al prodotto.

Per visualizzare la versione del firmware del tuo joystick e, se necessario, aggiornarla: su PC, vai su <https://support.thrustmaster.com>. Clicca su **Joystick / TCA Sidestick X Airbus Edition / Firmware**, quindi segui le istruzioni e attieniti alla procedura di scaricamento e installazione.



Le uniche periferiche supportate sono il sistema manetta TCA Quadrant Airbus Edition* unito ai moduli TCA Quadrant Add-On Airbus Edition* e ai sistemi di timonaggio TPR* e TFRP*.

Ora sei pronto per giocare!

**venduti separatamente*

SOFTWARE DI PROGRAMMAZIONE AVANZATA T.A.R.G.E.T (Thrustmaster Advanced pRogramming Graphical EdiTor)

T.A.R.G.E.T (Thrustmaster Advanced pRogramming Graphical EdiTor) è un software innovativo ad alte prestazioni che permette di perfezionare la maggior parte dei controller di volo Thrustmaster e di condividere i profili con la community Thrustmaster.

DOWNLOAD DI T.A.R.G.E.T

Vai su <https://support.thrustmaster.com>. Clicca su **Joystick / TCA Sidestick X Airbus Edition**, dopodiché seleziona **Software**. Scarica e installa il software di programmazione avanzata T.A.R.G.E.T.

CARATTERISTICHE PRINCIPALI DI T.A.R.G.E.T:

- Molteplici possibili configurazioni degli assi.
- Molteplici possibili livelli di programmazione: Basic (Basico), Advanced (Avanzato) e Script.
- Utilizzo del principio del Drag and Drop.
- Possibilità di abbinare il TCA Sidestick X Airbus Edition ad altri joystick Thrustmaster (Hotas Cougar*, Hotas Warthog*, T.16000M*, MFD Cougar Pack*, anch'essi compatibili con T.A.R.G.E.T), in modo tale che vengano riconosciuti come una singola periferica USB.
- Accesso a profili avanzati creati dalla community Thrustmaster.



**venduti separatamente*

NOTE IMPORTANTI

Quando colleghi il tuo joystick, per evitare qualsiasi potenziale problema di calibrazione, lascia sempre la leva e il timone in posizione centrale, evitando di muoverli.

AVVISI E RISOLUZIONE DEI PROBLEMI

Il mio joystick non funziona correttamente o sembra non essere correttamente calibrato.

- Prima di collegare il cavo USB alla console o al PC, verifica che il selettore **(14)** si trovi in posizione corretta (Xbox o PC).
- Spegni la tua console o il tuo PC, scollega il tuo joystick, ricollegalo e riavvia il tuo gioco.
- Quando colleghi il tuo joystick, per evitare qualsiasi potenziale problema di calibrazione, lascia sempre la leva e il timone in posizione centrale, evitando di muoverli.

Non riesco a configurare il mio joystick.

- Nel menu **Opzioni / Controller / Gamepad o Joystick** del tuo gioco, seleziona la configurazione appropriata oppure riconfigura completamente le opzioni del controller.
- Per ulteriori informazioni, consulta il manuale o l'aiuto online del tuo gioco.

Il mio joystick è troppo sensibile o non sufficientemente sensibile.

- Il TCA Sidestick X Airbus Edition si calibra automaticamente dopo pochi movimenti lungo i vari assi
- Nel menu **Opzioni / Controller / Gamepad o Joystick** del tuo gioco, regola la sensibilità e le zone morte del tuo controller (qualora queste opzioni fossero disponibili).

Il connettore del microfono del TCA Sidestick X Airbus Edition non funziona correttamente.

- Il TCA Sidestick X Airbus Edition è dotato di una periferica audio USB. Quando colleghi a Windows, per la prima volta, una periferica audio, il volume predefinito di tutti i microfoni viene impostato a zero.
- Per risolvere il problema, accedi alle impostazioni audio di Windows per il connettore del microfono del TCA Sidestick X Airbus Edition e impostane il relativo livello sonoro al 100%.

Su PC, le periferiche collegate non funzionano correttamente.

- Installa il driver per PC. Vai su <https://support.thrustmaster.com>. Clicca su **Joystick / TCA Sidestick X Airbus Edition**, quindi scegli **Driver**. Scarica e installa il driver per PC e la relativa interfaccia personalizzata per il Pannello di Controllo di Windows.



L'uso di questa periferica è da intendersi a solo scopo di intrattenimento ludico. È severamente proibito utilizzare questa periferica per attività di allenamento professionale.

Informazioni sulla garanzia al consumatore

A livello mondiale, Guillemot Corporation S.A., avente sede legale in Place du Granier, B.P. 97143, 35571 Chantepie, Francia (d'ora in avanti "Guillemot") garantisce al consumatore che il presente prodotto Thrustmaster sarà privo di difetti relativi ai materiali e alla fabbricazione, per un periodo di garanzia corrispondente al limite temporale stabilito per la presentazione di un reclamo riguardante la conformità del prodotto in questione. Nei paesi della Comunità Europea, tale periodo equivale a due (2) anni a partire dalla consegna del prodotto Thrustmaster. In altri paesi, la durata della garanzia corrisponde al limite temporale stabilito per la presentazione di un reclamo riguardante la conformità del prodotto Thrustmaster in base alle leggi applicabili nel paese in cui il consumatore risiedeva alla data di acquisto del prodotto Thrustmaster (qualora nel paese in questione non esistesse alcuna norma a riguardo, il periodo di garanzia corrisponderà a un (1) anno a partire dalla data originale di acquisto del prodotto Thrustmaster). Qualora, durante il periodo di garanzia, il prodotto dovesse apparire difettoso, contatti immediatamente l'Assistenza Tecnica, che le indicherà la procedura da seguire. Qualora il difetto dovesse essere confermato, il prodotto dovrà essere riportato al luogo di acquisto (o qualsiasi altro luogo indicato dall'Assistenza Tecnica).

Nel contesto della presente garanzia, il prodotto difettoso di proprietà del consumatore potrà essere sostituito o reso nuovamente funzionante, a discrezione dell'Assistenza Tecnica. Se, durante il periodo coperto dalla garanzia, il prodotto Thrustmaster fosse oggetto di tale rimessa in operatività, alla rimanente durata della garanzia dovrà essere aggiunto un periodo di almeno sette (7) giorni, durante il quale il prodotto risulta non utilizzabile (tale periodo intercorre dalla data della richiesta di intervento da parte del consumatore o dalla data in cui il prodotto in questione è reso disponibile per la rimessa in operatività, questo nel caso in cui tale data sia successiva alla data di richiesta di intervento). Qualora le leggi applicabili in materia lo consentano, la totale responsabilità di Guillemot e delle sue controllate (compresi i danni conseguenti) si limita alla rimessa in operatività o alla sostituzione del prodotto Thrustmaster. Qualora le leggi applicabili in materia lo consentano, Guillemot declina ogni garanzia sulla commerciabilità o la conformità a finalità particolari.

La presente garanzia non potrà essere applicata: (1) se il prodotto è stato modificato, aperto, alterato o ha subito danni derivanti da un uso inappropriato o non autorizzato, da negligenza, da un incidente, dalla semplice usura, o da qualsiasi altra causa non riconducibile a difetti nei materiali o nell'assemblaggio (compresi, ma non i soli, prodotti Thrustmaster combinati con elementi inadatti, tra cui, in particolare, batterie ricaricabili, caricatori o qualsiasi altro elemento non fornito da Guillemot per questo prodotto); (2) nel caso in cui il prodotto sia stato utilizzato per qualsiasi altro scopo al di fuori dell'uso domestico, comprese finalità professionali o commerciali (esempio: sale giochi, allenamenti, concorsi); (3) in caso di mancato rispetto delle istruzioni fornite dall'Assistenza Tecnica; (4) in caso di software, ovvero software soggetto a una specifica garanzia; (5) ai materiali di consumo (elementi che richiedono la loro sostituzione al termine della loro durata di esercizio come, ad esempio, batterie di tipo convenzionale o cuscinetti protettivi per auricolari o cuffie); (6) agli accessori (ad esempio, cavi, custodie, borsette, borse, cinturini); (7) se il prodotto è stato venduto ad un'asta pubblica.

La presente garanzia non è trasferibile.

I diritti legali del consumatore, stabiliti dalle leggi vigenti in materia di vendita di beni di consumo nel relativo paese, non vengono intaccati dalla presente garanzia.

Disposizioni addizionali sulla garanzia

Per tutta la durata della garanzia, in linea di principio, Guillemot non fornirà alcuna parte di ricambio, in quanto la sola Assistenza Tecnica è la parte autorizzata ad aprire e/o rimettere in funzionamento tutti i prodotti Thrustmaster (fatta eccezione per eventuali procedure di rimessa in operatività che l'Assistenza Tecnica potrebbe richiedere al consumatore, attraverso istruzioni scritte – viste, ad esempio, la semplicità e la mancanza di riservatezza della procedura di rimessa in operatività – e fornendo al consumatore le necessarie parti di ricambio, se ve ne fosse l'esigenza).

Considerando i propri cicli di innovazione e per proteggere il proprio know-how e i propri segreti commerciali, in linea di principio, Guillemot non fornirà alcuna notifica o parte di ricambio finalizzata alla rimessa in attività di un qualunque prodotto Thrustmaster il cui periodo di garanzia risultasse scaduto.

Responsabilità

Qualora le leggi applicabili in materia lo consentano, Guillemot Corporation S.A. (d'ora in avanti "Guillemot") e le sue controllate declinano ogni responsabilità per qualsiasi danno derivante da almeno una delle seguenti condizioni: (1) il prodotto è stato modificato, aperto o alterato; (2) mancato rispetto delle istruzioni di installazione; (3) uso inappropriato o non permesso, negligenza, incidente (come, ad esempio, un impatto); (4) semplice usura; (5) utilizzo del prodotto per qualsiasi altro scopo al di fuori dell'uso domestico, comprese finalità professionali o commerciali (esempio: sale giochi, allenamenti, concorsi). Qualora le leggi applicabili in materia lo consentano, Guillemot e le sue controllate declinano ogni responsabilità per qualsiasi danno non riconducibile a difetti nei materiali o nella fabbricazione del prodotto (compresi, ma non i soli, potenziali danni causati direttamente o indirettamente da un qualunque software, oppure dall'uso del prodotto Thrustmaster in combinazione con elementi inadatti, tra cui, in particolare, batterie ricaricabili, caricatori o qualsiasi altro elemento non fornito da Guillemot per questo prodotto).

THRUSTMASTER®

ASSISTENZA TECNICA

<https://support.thrustmaster.com>



COPRIGHT

©2022 Guillemot Corporation S.A. Tutti i diritti riservati. Thrustmaster® è un marchio registrato di proprietà di Guillemot Corporation S.A. Fabbricato e distribuito da Guillemot Corporation S.A.

AIRBUS, il suo logo e i relativi marchi commerciali e di servizi, sono marchi registrati di proprietà di Airbus. Tutti i diritti riservati. © Airbus 2022. Tutti i diritti riservati. Prodotto accompagnato da licenza ufficiale Airbus.

Microsoft, Xbox, il Disegno "Sfera" Xbox, Xbox Serie X|S, Xbox One e Windows 10/11 sono marchi di proprietà del gruppo Microsoft.

Tutti gli altri marchi e nomi commerciali vengono qui citati previa autorizzazione e appartengono ai legittimi proprietari. Contenuti, design e caratteristiche possono essere oggetto di modifiche senza preavviso e potrebbero variare da una nazione all'altra. Foto e illustrazioni puramente indicative. Progettato in Europa e Nord America, fabbricato in Cina.

RACCOMANDAZIONI SULLA TUTELA DELL'AMBIENTE



- * Nell'Unione Europea, Regno Unito e Turchia: Al termine della sua vita operativa, questo prodotto non dovrebbe essere gettato assieme ai comuni rifiuti, ma dovrebbe essere portato ad un apposito punto di raccolta destinato al riciclaggio del Materiale Elettrico ed Elettronico.

Ciò è confermato dal simbolo riportato sul prodotto, nel manuale d'uso o sulla confezione.

A seconda delle proprie caratteristiche, i materiali potrebbero essere riciclati. Tramite il riciclaggio ed altre forme di trattamento del Materiale Elettrico ed Elettronico, è possibile fornire un importante contributo per la salvaguardia dell'ambiente.

Per conoscere i punti di raccolta più vicini a te, contatta le autorità locali competenti.

In tutti gli altri Paesi: per favore, rispetta le leggi locali sul riciclo dei materiali elettrici ed elettronici.

Informazioni da conservare. I colori e le decorazioni possono variare.

I ganci di plastica e gli adesivi dovrebbero essere rimossi dal prodotto prima che quest'ultimo venga utilizzato.

www.thrustmaster.com

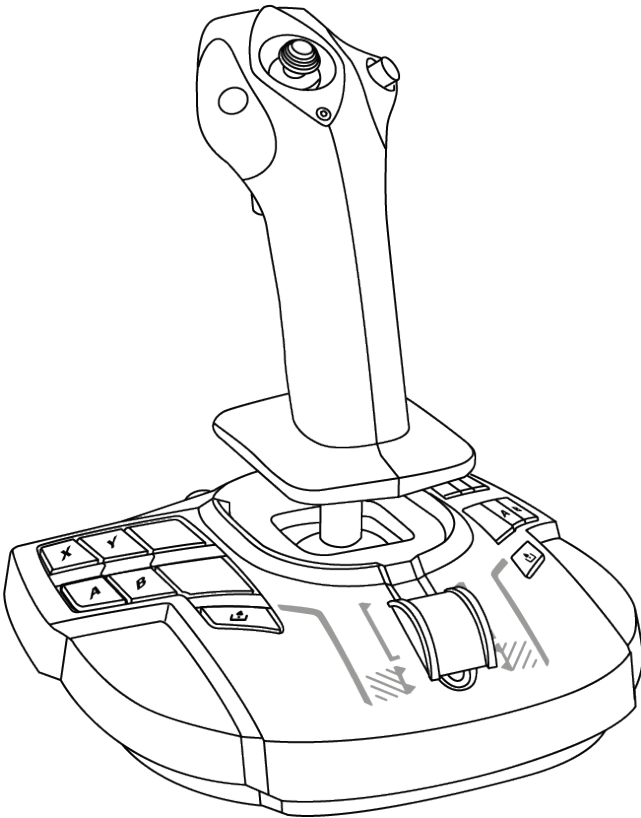
**Valido solo in UE, Regno Unito e Turchia*



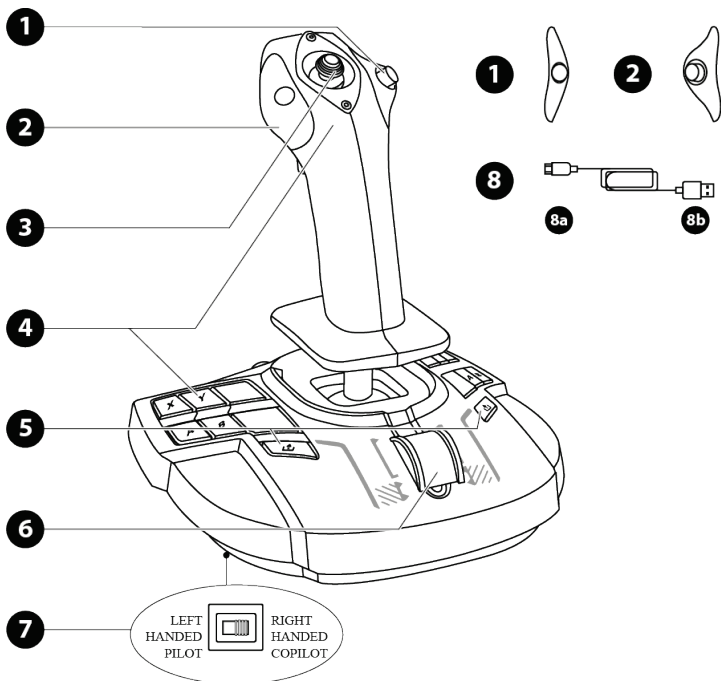
TCA SIDESTICK X AIRBUS EDITION

XBOX SERIES X|S – XBOX ONE – PC

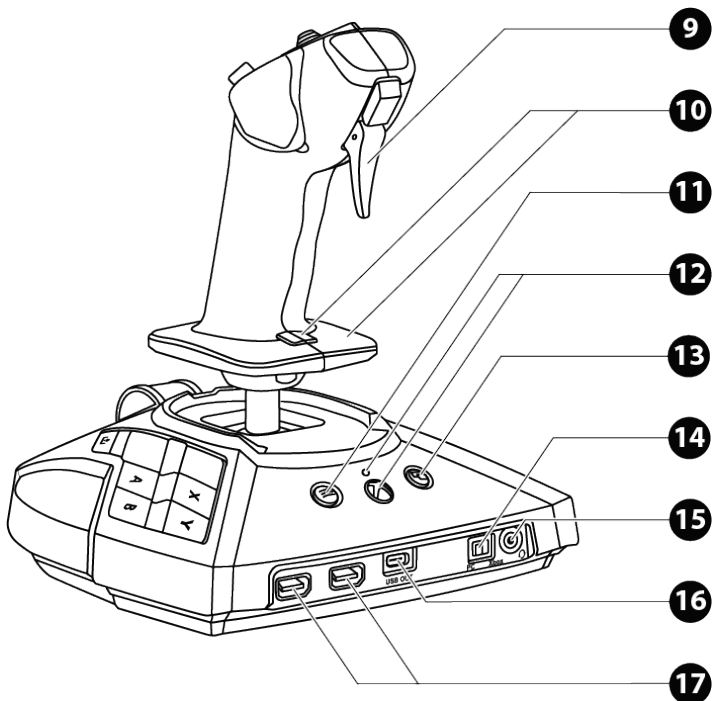
Manual del usuario



CARACTERÍSTICAS TÉCNICAS



1. Módulos del botón derecho
2. Módulos del botón izquierdo
3. Hat switch multidireccional "Punto de vista"
4. 21 botones de acción en Xbox, 22 botones de acción en PC
5. Botones Compartir (Xbox)
6. Mando de potencia + un botón virtual (sólo en PC)
7. Interruptor selector: LEFT HANDED — PILOT (zurdo — piloto) / RIGHT HANDED — COPILOT (diestro — copiloto)
8. Cable USB-C (**8a**) — USB-A (**8b**)



9. Gatillo digital
10. Control de timón mediante mango giratorio con reposamanos + botón de bloqueo
11. Botón Menú (Xbox)
12. Botón Xbox + LED
13. Botón Vista (Xbox)
14. Interruptor selector de Xbox / PC
15. Conector de micrófono mini-jack de 3,5 mm para auriculares* de gaming
16. Puerto USB tipo C
17. Puertos USB tipo A para TCA Quadrant Airbus Edition* o timón* TPR

*se vende por separado

INTRODUCCIÓN AL JOYSTICK

TECNOLOGÍA DE PRECISIÓN EXCLUSIVA H.E.A.R.T: Halleffect AccuRate Technology

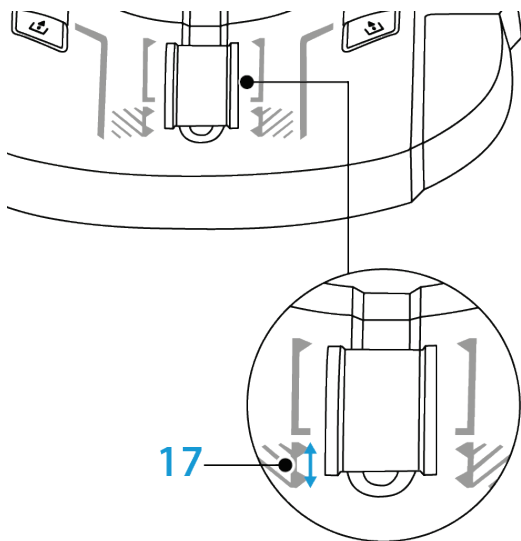
El joystick TCA Sidestick X Airbus Edition cuenta con tecnología de alta precisión, con:

- sensores magnéticos 3D (efecto Hall) en el stick;
- un imán: sin fricción, para una precisión ilimitada y una capacidad de respuesta increíble que perdurará;
- un resorte helicoidal en el stick (2,8 mm): para una tensión firme, lineal y ultrafluida.

MANDO DE POTENCIA

El joystick incorpora un mando de potencia **(6)**, que puedes usar para controlar fácilmente el empuje del motor del avión.

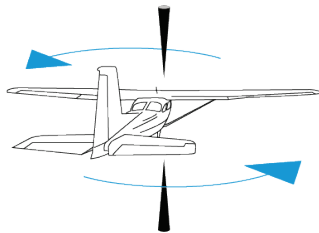
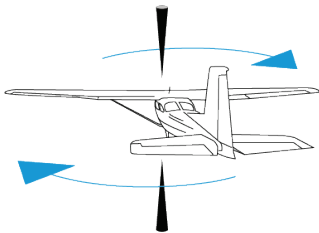
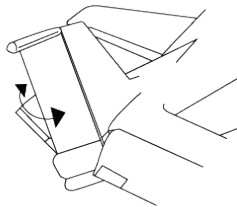
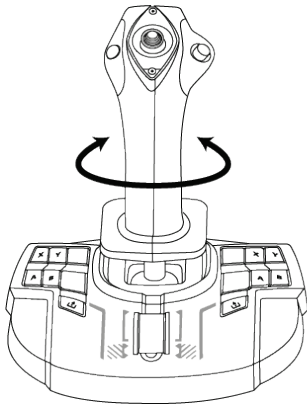
Un botón virtual sólo disponible en PC (número 17 en el mapeado de PC) está habilitado en el primer 20 por ciento del recorrido del mando de potencia, para activar los inversores de empuje.



FUNCIÓN DE TIMÓN

El joystick cuenta con una función de timón (**10**). En un avión, el piloto manipula el timón para girar el avión alrededor de su eje vertical (haciendo que el avión gire hacia la izquierda o hacia la derecha).

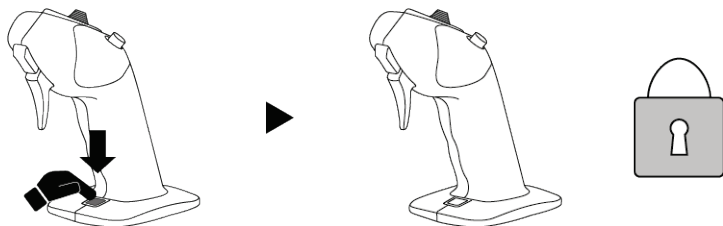
Esta función de timón está disponible en el joystick rotando (es decir, girando) el stick a la izquierda o a la derecha.



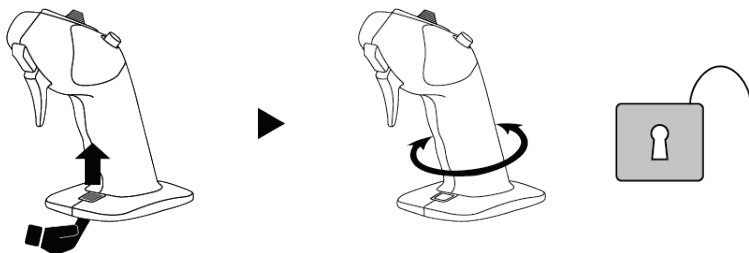
BLOQUEO/DESBLOQUEO DE LA FUNCIÓN DE TIMÓN

La función de timón se puede desactivar usando el botón de bloqueo en la parte posterior del mango del joystick.

Pulsa este botón para bloquear el eje del timón.



Vuelve a colocar este botón en la posición superior para desbloquear el eje del timón.



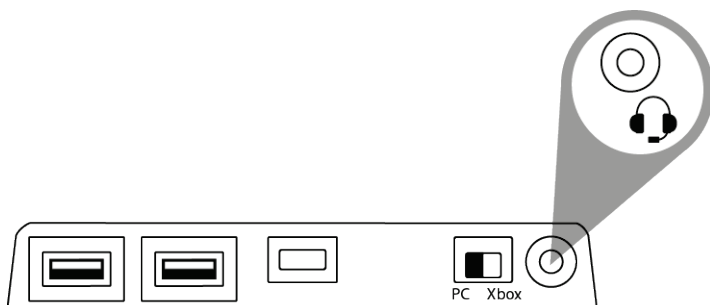
HAT SWITCH MULTIDIRECCIONAL "PUNTO DE VISTA"

El joystick cuenta con un hat switch "Punto de vista" **(3)** que te permite ver instantáneamente todo lo que sucede alrededor de la aeronave (en juegos donde esta función está habilitada). Para usar esta función, no tienes más que dirigirte al menú de configuración del juego y programar las diferentes vistas (vista trasera, vista a la izquierda, vista a la derecha y vistas externas) en las direcciones del hat switch "Punto de vista".

Si lo deseas, también puedes reservar el hat switch "Punto de vista" para otros usos (disparar, etc.).

CONECTOR DE MICRÓFONO PARA AURICULARES GAMING

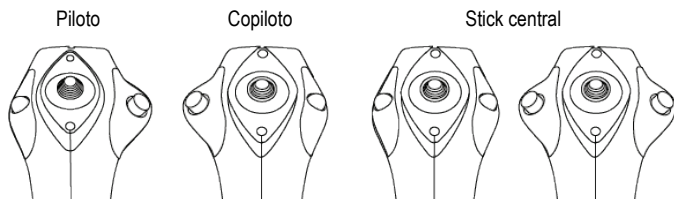
El joystick cuenta con un conector de micrófono mini-jack de 3,5 mm **(15)** que permite el uso de auriculares gaming con micrófono incorporado para una experiencia más inmersiva.



SISTEMA AMBIDEXTRO Y AJUSTE DE LOS MÓDULOS

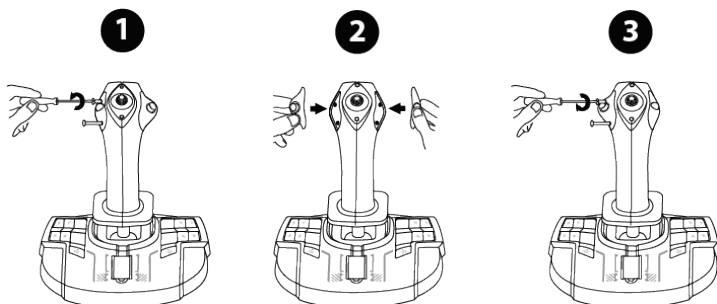
El joystick TCA Sidestick X Airbus Edition tiene la ventaja de ser ambidextro, lo que le permite adaptarse a todos los jugadores, tanto si son diestros como zurdos.

De forma predeterminada, el joystick está configurado en modo piloto. Pueden realizarse cuatro configuraciones:



Para modificar la configuración del joystick:

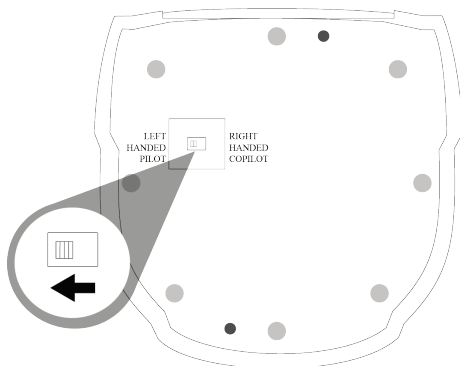
1. Con un destornillador pequeño, desenrosca y retira con cuidado los dos tornillos de cada módulo de botones.
2. Cambia los módulos según tu configuración preferida.
3. Vuelve a colocar los tornillos y vuelve a apretarlos por completo.



CONFIGURACIÓN DEL STICK EN MODO PARA ZURDOS (PILOTO)

Para identificar que el joystick esté en modo para ZURDOS (PILOTO), configura el interruptor selector (7) ubicado debajo de la base del joystick en LEFT HANDED — PILOT antes de conectar el joystick.

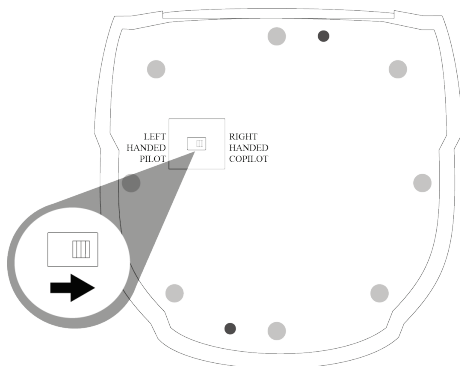
El producto se reconocerá como un TCA Sidestick X Pilot.



CONFIGURACIÓN DEL STICK EN MODO PARA DIESTROS (COPILOTO)

Para identificar que el joystick esté en modo para DIESTROS (COPILOTO), configura el interruptor selector (7) ubicado debajo de la base del joystick en RIGHT HANDED — COPILOT antes de conectar el joystick.

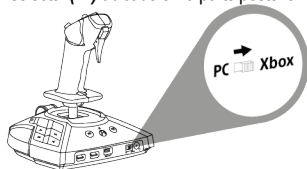
El producto se reconocerá como un TCA Sidestick X Copilot.



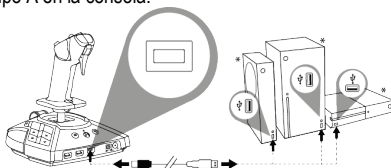
XBOX SERIES X|S / XBOX ONE

INSTALACIÓN EN XBOX SERIES X|S* / XBOX ONE*

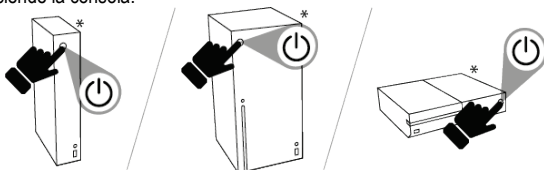
1. Pon el interruptor selector **(14)** ubicado en la parte posterior del joystick en la posición Xbox.



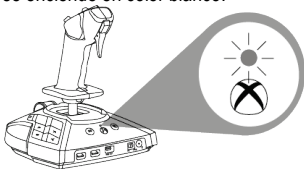
2. Conecta el cable USB-C – USB-A **(8)** al puerto USB tipo C **(16)** en el joystick y a un puerto USB tipo A en la consola.



3. Enciende la consola.



4. El LED del joystick se enciende en color blanco.



5. Inicia un juego compatible que admita el modo Flight Stick.

¡Ya estás preparado para jugar!

**se vende por separado*

LISTA DE JUEGOS COMPATIBLES DE XBOX SERIES X|S / XBOX ONE

En Xbox Series X|S* / Xbox One*, TCA Sidestick X Airbus Edition:

- sólo es compatible con juegos que admitan el modo Flight Stick.
- se reconoce en los juegos como un joystick y no como un gamepad, para una máxima capacidad de respuesta y precisión, así como para poder acceder a las opciones de joystick disponibles en estos juegos.

La lista de juegos de Xbox Series X|S / Xbox One compatibles con el joystick está disponible en <https://support.thrustmaster.com> en la sección **Joysticks / TCA Sidestick X Airbus Edition**.

Esta lista se ampliará periódicamente con la llegada de nuevos juegos de Xbox Series X|S / Xbox One compatibles con TCA Sidestick X Airbus Edition.

**se vende por separado*

EN

FR

DE

NL

IT

ES

PT

RU

CS

TR

PL

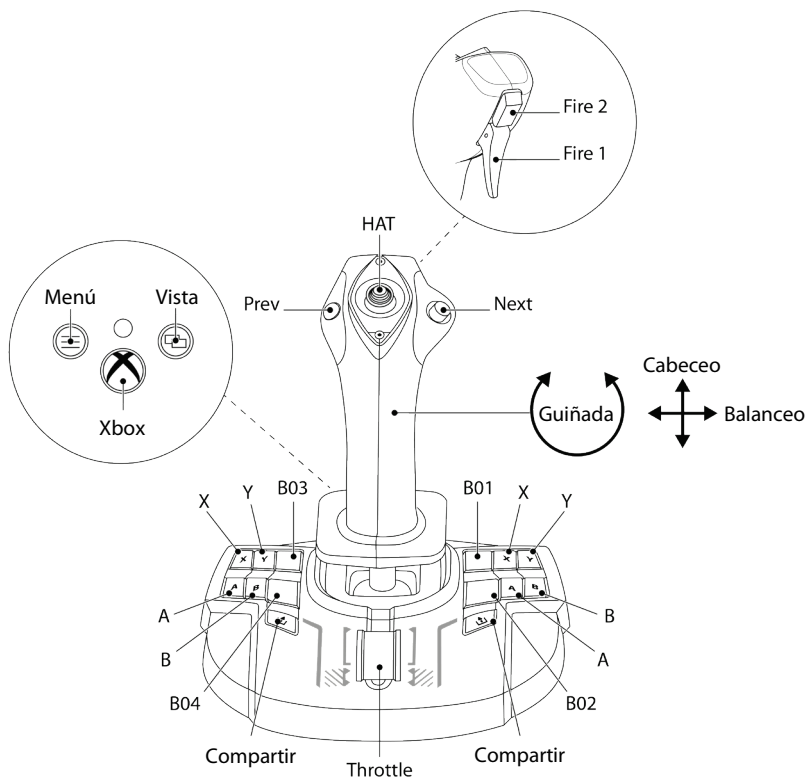
日本語

繁體中文

한국어

العربية

MAPEADO EN XBOX



CONECTIVIDAD DE TCA SIDESTICK X AIRBUS EDITION EN XBOX SERIES X|S* / XBOX ONE*

TCA Sidestick X Airbus Edition incorpora cuatro ejes, pero te permite conectar directamente el sistema de potencia TCA Quadrant Airbus Edition*, los módulos TCA Quadrant Add-On Airbus Edition* y un sistema de timón TPR* en la parte posterior del joystick.

Sólo en Xbox Series X|S* / Xbox One*, se puede conectar un segundo sistema de potencia a TCA Quadrant Airbus Edition*, lo que permite que el joystick gestione hasta nueve ejes adicionales.

En Xbox Series X|S* / Xbox One*, los dispositivos Thrustmaster compatibles conectados a través del puerto USB tipo A se fusionarán con TCA Sidestick X Airbus Edition.



Los únicos dispositivos compatibles con Xbox Series X|S* / Xbox One* son TCA Quadrant Airbus Edition*, TCA Quadrant Add-On Airbus Edition* y los sistemas de timón TPR* y TFRP*.

**se vende por separado*

EN

FR

DE

NL

IT

ES

PT

RU

CS

TR

PL

日本語

繁體中文

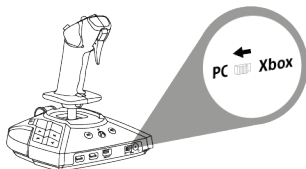
한국어

العربية

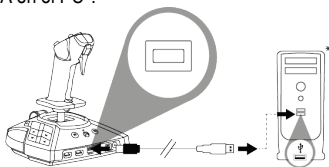
PC

INSTALACIÓN EN PC*

1. Dirígete a <https://support.thrustmaster.com>. Haz clic en **Joysticks / TCA Sidestick X Airbus Edition** y selecciona **Controladores**. Descarga e instala el controlador para PC y su interfaz personalizada para el Panel de control de Windows.
2. Pon el interruptor selector **(14)** ubicado en la parte posterior del joystick en la posición PC.



3. Conecta el cable USB-C – USB-A **(8)** al puerto USB tipo C **(16)** en el joystick y a un puerto USB tipo A en el PC*.



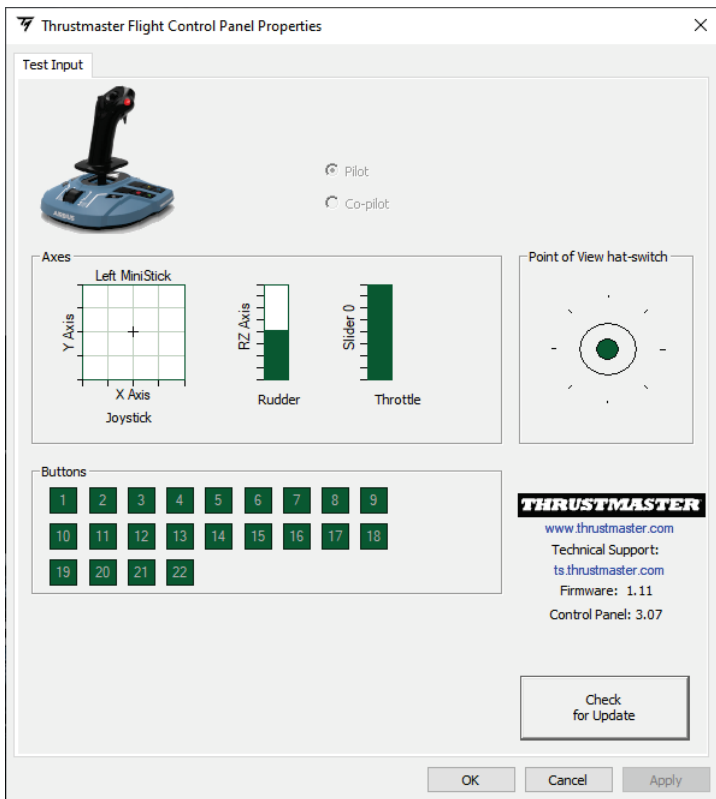
4. Inicia un juego compatible que admita periféricos de vuelo HID.

¡Ya estás preparado para jugar!

**se vende por separado*

INTERFAZ PERSONALIZADA

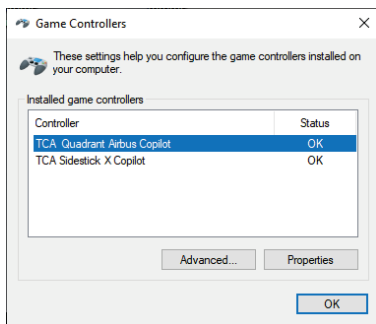
1. Para acceder a la interfaz personalizada del Panel de control, selecciona **Inicio / Aplicaciones / Thrustmaster / Panel de control** (en Windows® 10/11). Se muestra el cuadro de diálogo **Dispositivos de juego**. El dispositivo aparece en pantalla con el nombre **TCA Sidestick X** y el estado **OK**.
2. En el cuadro de diálogo **Dispositivos de juego**, haz clic en **Propiedades** para probar y ver todas las funciones.



CONECTIVIDAD DE TCA SIDESTICK X AIRBUS EDITION EN PC*

TCA Sidestick X Airbus Edition incorpora cuatro ejes, pero te permite conectar directamente el sistema de potencia TCA Quadrant Airbus Edition*, los módulos TCA Quadrant Add-On Airbus Edition* y un sistema de timón TPR* en la parte posterior del joystick.

Cuando TCA Quadrant Airbus Edition* y el sistema de timón TPR* o el sistema de timón TFRP* están conectados, aparecen de forma independiente en el cuadro de diálogo **Dispositivos de juego** como dispositivos virtuales:

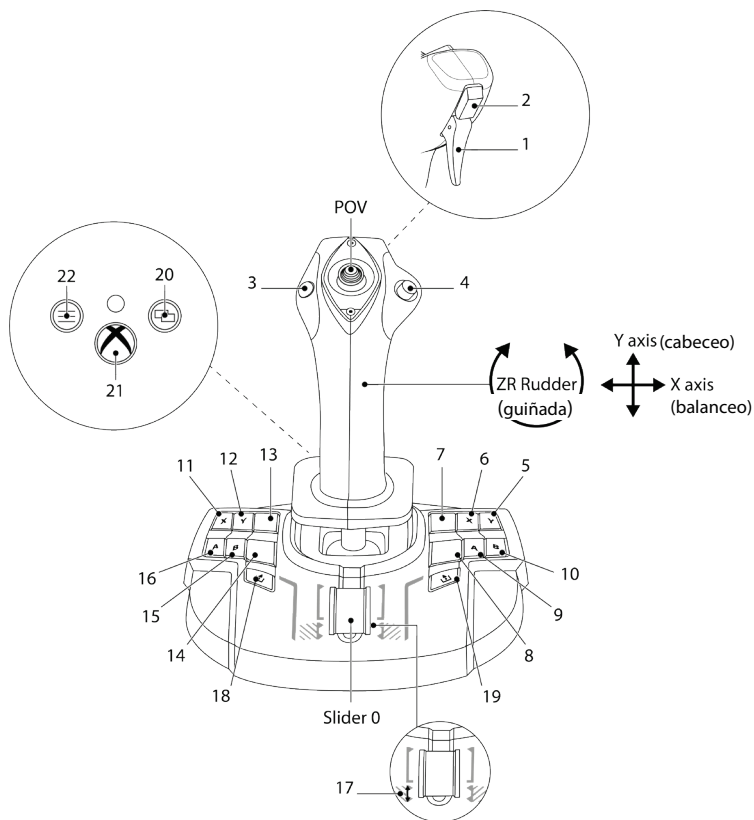


Conexión del sistema de timón TPR* o el sistema de timón TFRP*:

- El controlador debe estar instalado para que los dispositivos funcionen correctamente.
- Si el sistema de timón está conectado al joystick o al sistema de potencia conectado al joystick, los tres ejes del sistema de timón se fusionan con el cuadrante virtual (TCA Quadrant Airbus Copilot).

**se vende por separado*

MAPEADO EN PC

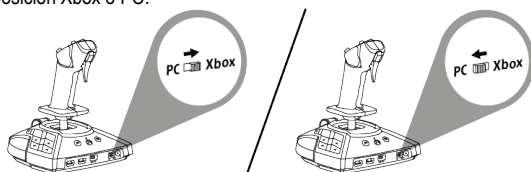


INSTALACIÓN DE TCA SIDESTICK X AIRBUS EDITION COMBINADO CON TCA QUADRANT AIRBUS EDITION* Y LOS SISTEMAS DE TIMÓN TPR* Y TFRP*

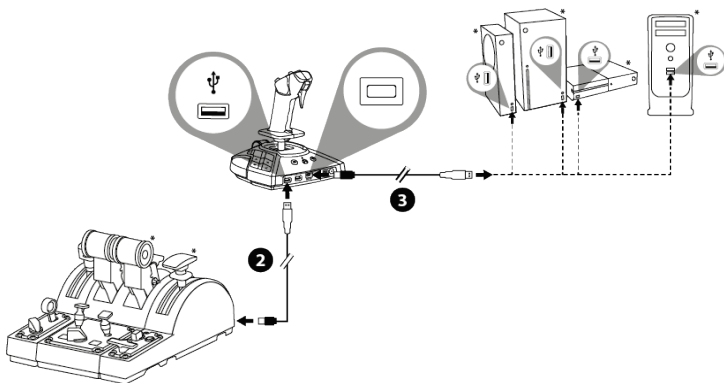
MANDO DE POTENCIA Y MÓDULOS ADD-ON

TCA Quadrant Airbus Edition* asociado con los módulos TCA Quadrant Add-On Airbus Edition* se conecta al joystick.

1. Pon el interruptor selector **(14)** ubicado en la parte posterior del joystick en la posición Xbox o PC.



2. Conecta un cable USB-C – USB-A **(8)** al puerto USB tipo C en el mando de potencia y a un puerto USB tipo A **(17)** ubicado en la parte posterior del joystick.
3. Conecta un segundo cable USB-C – USB-A **(8)** al puerto USB tipo C **(16)** en el joystick y a un puerto USB tipo A en la consola o el PC.



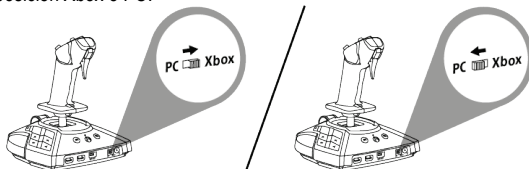
*se vende por separado

SISTEMA DE TIMÓN

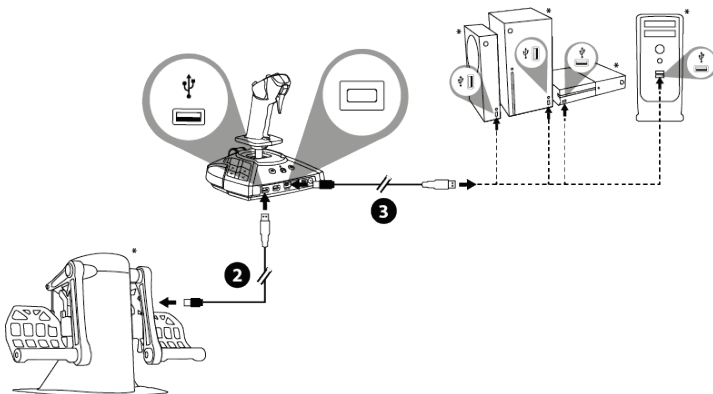
Se reservan tres ejes para los sistemas de timón TPR* y TFRP*.

El sistema de timón **TPR*** se conecta al joystick.

1. Pon el interruptor selector (**14**) ubicado en la parte posterior del joystick en la posición Xbox o PC.



2. Conecta el cable USB-A – USB-B del sistema de timón al puerto USB tipo B en el sistema de timón y a un puerto USB tipo A (**17**) ubicado en la parte posterior del joystick.
3. Conecta el cable USB-C – USB-A (**8**) al puerto USB tipo C (**16**) en el joystick y a un puerto USB tipo A en la consola o en el PC.

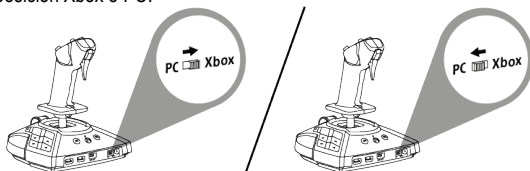


En Xbox Series X|S* / Xbox One*, no es posible conectar un sistema de timón TPR* cuando dos sistemas de potencia TCA Quadrant Airbus Edition* ya están conectados a TCA Sidestick X Airbus Edition.

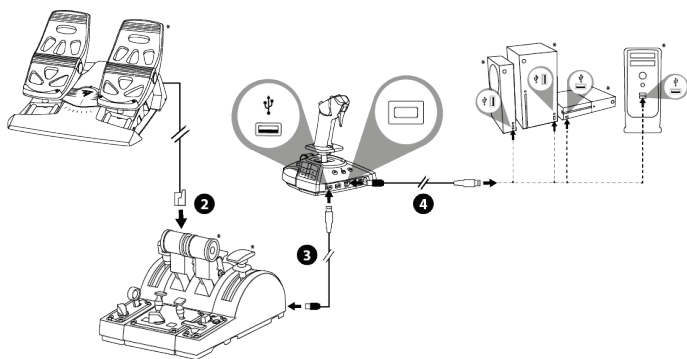
*se vende por separado

El sistema de timón **TFRP*** se conecta al sistema de potencia cuando utilizas TCA Quadrant Airbus Edition*.

1. Pon el interruptor selector (**14**) ubicado en la parte posterior del joystick en la posición Xbox o PC.



2. Conecta el conector RJ12 del sistema de timón al puerto RJ12 ubicado en la parte posterior del sistema de potencia TCA Quadrant Airbus Edition*.
3. Conecta un cable USB-C – USB-A (**8**) al puerto USB tipo C en el sistema de potencia y a un puerto USB tipo A (**17**) ubicado en la parte posterior del joystick.
4. Conecta un segundo cable USB-C – USB-A (**8**) al puerto USB tipo C (**16**) en el joystick y a un puerto USB tipo A en la consola o el PC.



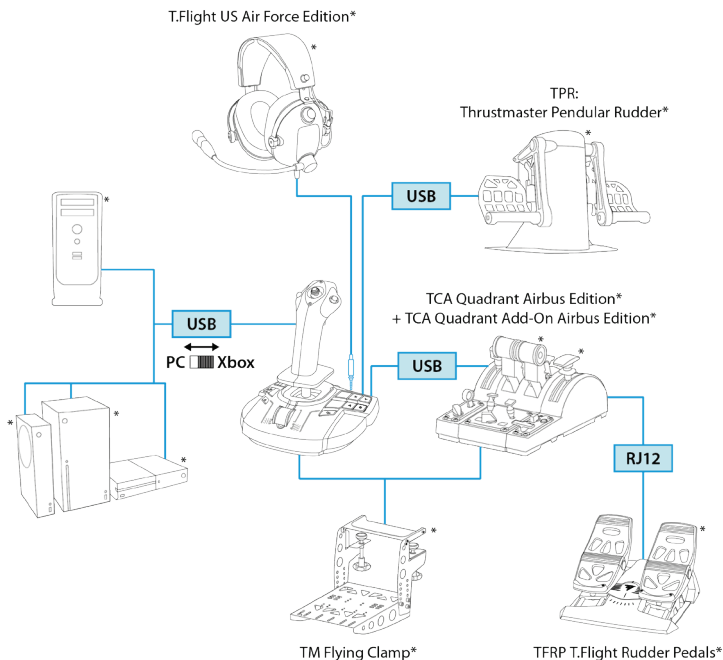
Calibración automática de los ejes:

- Cuando conectes el sistema de timón al joystick o al sistema de potencia, deja siempre centrado el eje del timón. No pongas los pies sobre el timón.
- Los tres ejes de los pedales se calibran automáticamente después de algunos movimientos y una vez alcanzados los topes físicos del eje del timón y los dos ejes del freno diferencial.

*se vende por separado

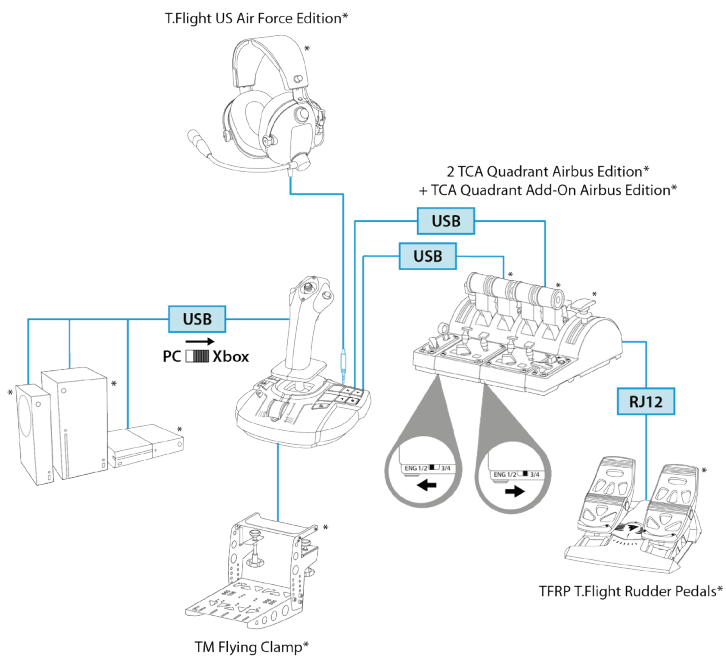
CONEXIÓN DE TCA SIDESTICK X AIRBUS EDITION CON TODOS LOS PRODUCTOS COMPATIBLES

XBOX SERIES X|S – XBOX ONE – PC



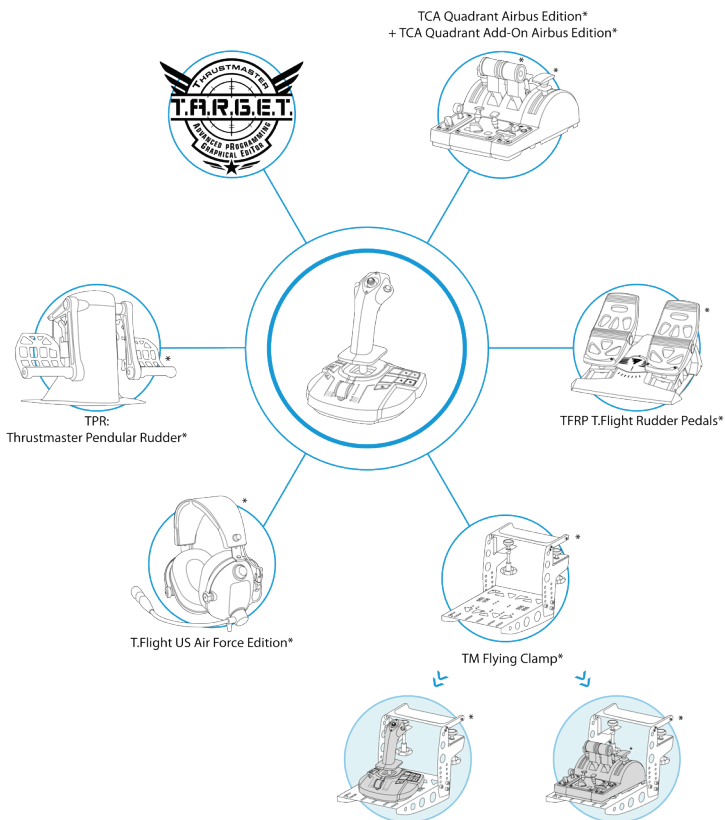
**se vende por separado*

XBOX SERIES X|S – XBOX ONE



*se vende por separado

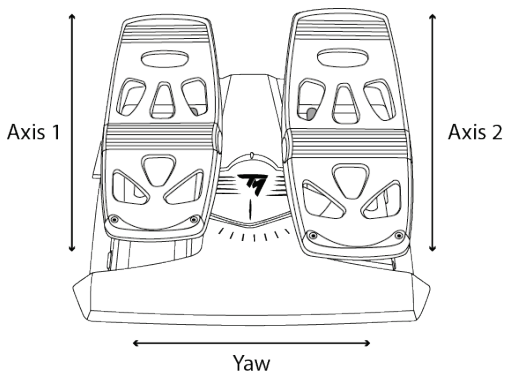
ECOSISTEMA TCA



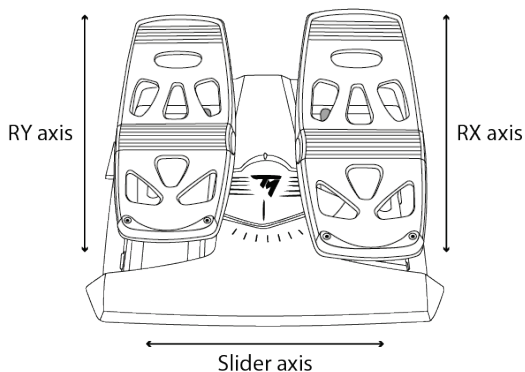
*se vende por separado

MAPEADO PARA SISTEMA DE TIMÓN TFRP* CONECTADO A TCA SIDESTICK X AIRBUS EDITION A TRAVÉS DE TCA QUADRANT AIRBUS EDITION*

MAPEADO EN XBOX



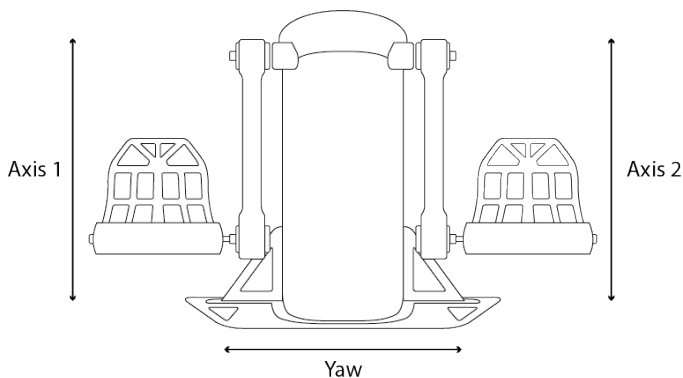
MAPEADO EN PC



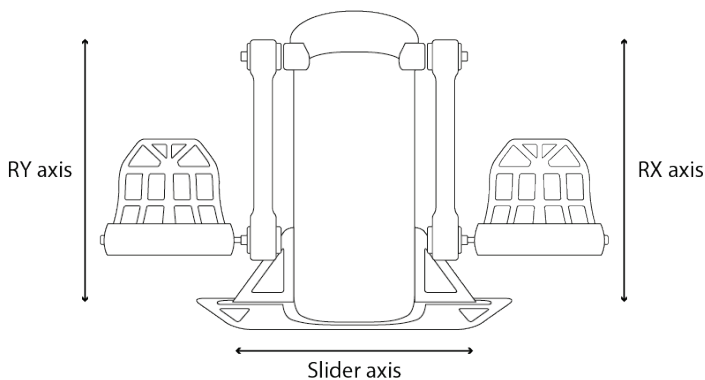
**se vende por separado*

MAPEADO PARA SISTEMA DE TIMÓN TPR* CONECTADO A TCA SIDESTICK X AIRBUS EDITION

MAPEADO EN XBOX



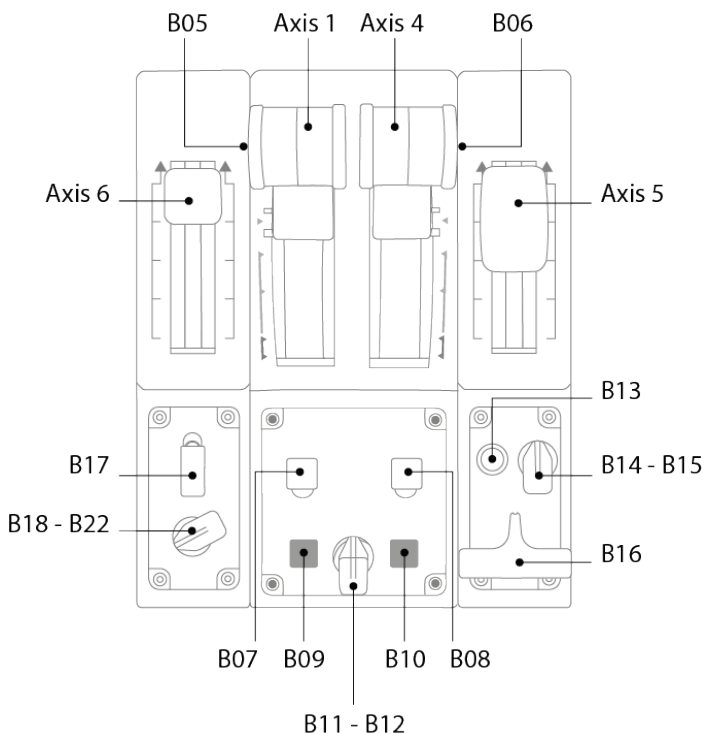
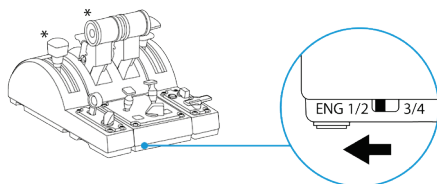
MAPEADO EN PC



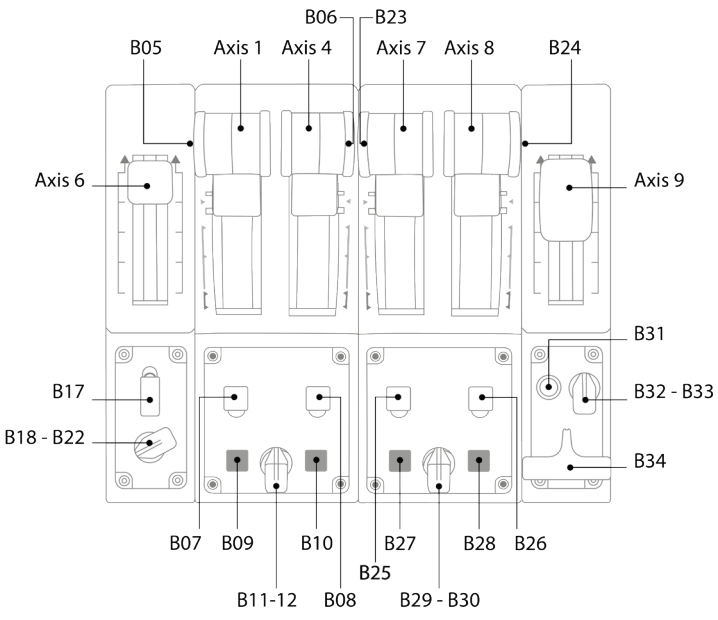
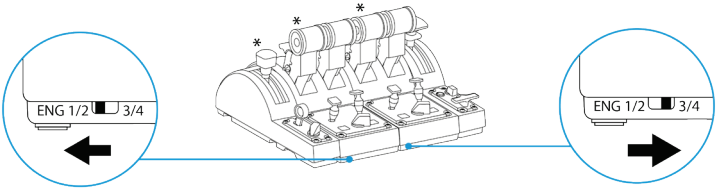
**se vende por separado*

MAPEADO PARA TCA QUADRANT AIRBUS EDITION* Y TCA QUADRANT ADD-ON AIRBUS EDITION* CONECTADOS A TCA SIDESTICK X AIRBUS EDITION

MAPEADO EN XBOX

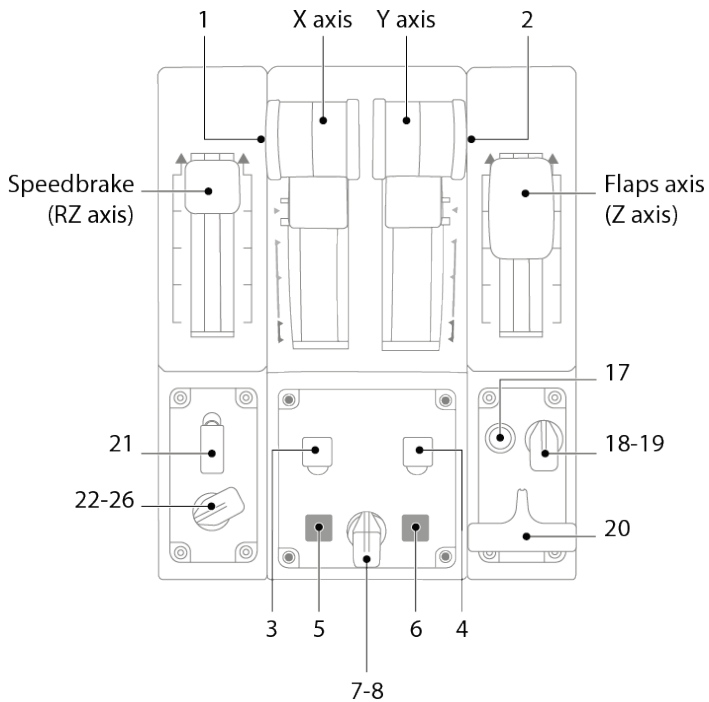
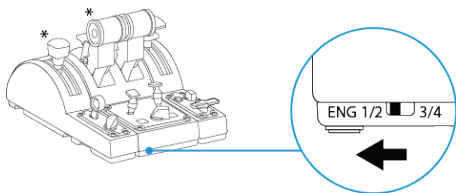


*se vende por separado



**se vende por separado*

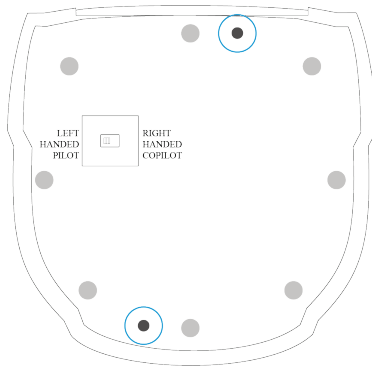
MAPEADO EN PC



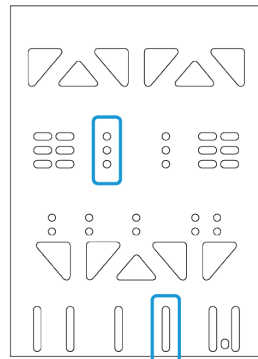
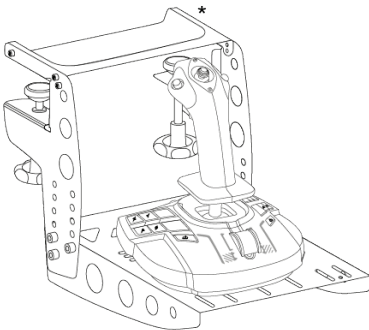
**se vende por separado*

INSTALACIÓN DE TCA SIDESTICK X AIRBUS EDITION EN TM FLYING CLAMP*, UNA CABINA U OTRO SOPORTE ESTACIONARIO

Puedes usar las dos perforaciones ubicadas en la cara inferior del TCA Sidestick X Airbus Edition para fijar el joystick a un soporte estacionario usando tornillos M6 (no incluidos).



INSTALACIÓN DE TCA SIDESTICK X AIRBUS EDITION EN TM FLYING CLAMP*:



*se vende por separado

ACTUALIZACIÓN DEL FIRMWARE DE TCA SIDESTICK X AIRBUS EDITION

El firmware incluido en el joystick se puede actualizar para aprovechar las mejoras del producto.

Para mostrar la versión de firmware del joystick y actualizarla si es necesario: en PC, dirígete a <https://support.thrustmaster.com>. Haz clic en **Joysticks / TCA Sidestick X Airbus Edition / Firmware** y luego sigue las instrucciones y el procedimiento de descarga e instalación.



Los únicos dispositivos compatibles son el sistema de potencia TCA Quadrant Airbus Edition* combinado con los módulos TCA Quadrant Add-On Airbus Edition* y los sistemas de timón TPR* y TFRP*.

¡Ya estás preparado para jugar!

**se vende por separado*

SOFTWARE DE PROGRAMACIÓN AVANZADA T.A.R.G.E.T (Thrustmaster Advanced pRogramming Graphical EdiTor)

T.A.R.G.E.T (Thrustmaster Advanced pRogramming Graphical EdiTor) es un paquete de software innovador y de alto rendimiento que permite mejorar la mayoría de los controladores de vuelo de Thrustmaster y compartir perfiles con la comunidad de Thrustmaster.

DESCARGA DE T.A.R.G.E.T

Dirígete a <https://support.thrustmaster.com>. Haz clic en **Joysticks / TCA Sidestick X Airbus Edition** y luego selecciona **Software**. Descarga e instala el software de programación avanzada T.A.R.G.E.T.

CARACTERÍSTICAS PRINCIPALES DE T.A.R.G.E.T:

- Diferentes configuraciones posibles para los ejes.
- Distintos niveles de programación posibles: Basic (Básico), Advanced (Avanzado) y Script.
- Utiliza el principio de Arrastrar y Soltar.
- Capacidad de combinar TCA Sidestick X Airbus Edition con otros joysticks de Thrustmaster (Hotas Cougar*, Hotas Warthog*, T.16000M*, MFD Cougar Pack*, también compatibles con T.A.R.G.E.T), de modo que se reconocen como un único dispositivo USB.
- Acceso a perfiles avanzados creados por la comunidad de Thrustmaster.



**se vende por separado*

NOTAS IMPORTANTES

Cuando conectes el joystick, deja siempre el stick y el timón centrados y evita moverlos, para evitar posibles problemas de calibración.

RESOLUCIÓN DE PROBLEMAS Y ADVERTENCIAS

Mi joystick no funciona correctamente o parece estar mal calibrado.

- Verifica que el interruptor selector (**14**) esté en la posición adecuada (Xbox o PC) antes de conectar el cable USB a la consola o al PC.
- Apaga la consola o el PC, desconecta el joystick, vuelve a conectarlo y luego reinicia el juego.
- Cuando conectes el joystick, deja el stick y el timón centrados y evita moverlos, para evitar posibles problemas de calibración.

No puedo configurar mi joystick.

- En el menú **Opciones / Mando / Gamepad o Joystick**, selecciona la configuración apropiada o vuelve a configurar por completo las opciones del controlador.
- Para más información, consulta el manual del usuario o la ayuda en línea del juego.

Mi joystick es demasiado sensible o no lo bastante sensible.

- TCA Sidestick X Airbus Edition se autocalibra automáticamente después de algunos movimientos en los distintos ejes.
- En el menú **Opciones / Mando / Gamepad o Joystick** del juego, ajusta la sensibilidad y las zonas muertas del controlador (si esas opciones están disponibles).

El conector de micrófono de TCA Sidestick X Airbus Edition no funciona correctamente.

- TCA Sidestick X Airbus Edition cuenta con un dispositivo de audio USB. Al conectar un dispositivo de audio USB a Windows por primera vez, el volumen predeterminado para todos los micrófonos se establece en cero.
- Para resolver el problema, accede a la configuración de audio de Windows para el conector de micrófono de TCA Sidestick X Airbus Edition y pon el nivel de audio al 100%.

En PC, los dispositivos conectados no funcionan correctamente.

- Instala el controlador de PC. Dirígete a <https://support.thrustmaster.com>. Haz clic en **Joysticks / TCA Sidestick X Airbus Edition** y selecciona **Controladores**. Descarga e instala el controlador para PC y su interfaz personalizada para el Panel de control de Windows.



Este dispositivo está diseñado únicamente para su uso con fines de entretenimiento en juegos. Está estrictamente prohibido usarlo para actividades de entrenamiento profesional.

INFORMACIÓN DE GARANTÍA AL CONSUMIDOR

En todo el mundo, Guillemot Corporation S.A., cuyo domicilio legal se encuentra en Place du Granier, B.P. 97143, 35571 Chantepie, Francia (en lo sucesivo "Guillemot") garantiza al consumidor que este producto de Thrustmaster estará libre de defectos de materiales y mano de obra, durante un período de garantía que corresponde al límite de tiempo para interponer una acción legal referida a la conformidad en relación con este producto. En los países de la Unión Europea, esto corresponde a un período de dos (2) años a partir de la entrega del producto de Thrustmaster. En otros países, el período de garantía corresponde al límite de tiempo para interponer una acción legal referida a la conformidad en relación con este producto de Thrustmaster según las leyes aplicables del país en el que el consumidor estuviese domiciliado en la fecha de compra del producto de Thrustmaster (si no existiese una acción similar en el país correspondiente, entonces el período de garantía será de un (1) año a partir de la fecha de compra original del producto de Thrustmaster).

Si el producto resultase defectuoso durante el período de garantía, hay que ponerse en contacto inmediatamente con el Soporte Técnico, que indicará el procedimiento a seguir. Si se confirma el defecto, el producto debe devolverse a su lugar de compra (o a cualquier otra ubicación indicada por el Soporte Técnico).

Dentro del contexto de esta garantía, el producto defectuoso del consumidor será sustituido o restaurado su funcionamiento correcto. Si, durante el período de garantía, el producto de Thrustmaster fuese sometido a dicho reacondicionamiento, cualquier período de cómo mínimo siete (7) días durante el que el producto no se pueda usar se añadirá al período de garantía restante (este período va desde la fecha de petición de intervención del consumidor o desde la fecha en la que el producto se entrega para el reacondicionamiento, si la fecha en la que el producto se entrega para el reacondicionamiento fuese posterior a la fecha de la petición de intervención). Si la ley aplicable lo permite, toda la responsabilidad de Guillemot y sus filiales (incluso por daños resultantes) se limita a la restauración del funcionamiento correcto o la sustitución del producto de Thrustmaster. Si la ley aplicable lo permite, Guillemot renuncia a todas las garantías de comerciabilidad o adecuación para un propósito determinado.

Esta garantía no se aplicará: (1) si el producto ha sido modificado, abierto, alterado o ha sufrido daños como resultado de un uso inapropiado o abuso, negligencia, accidente, desgaste normal, o cualquier otra causa no relacionada con un defecto de materiales o fabricación (incluyendo, pero no de forma exclusiva, la combinación del producto de Thrustmaster con cualquier elemento no adecuado, incluyendo en particular fuentes de alimentación, baterías recargables, cargadores o cualquier otro elemento no suministrado por Guillemot para este producto); (2) si el producto se ha empleado para otro uso distinto del doméstico, incluyendo fines profesionales o comerciales (salones de juego, entrenamiento, competiciones, por ejemplo); (3) en caso de incumplimiento de las instrucciones proporcionadas por el Soporte Técnico; (4) a software, es decir software sujeto a una garantía específica; (5) a consumibles (elementos que se tienen que reemplazar a lo largo de la vida del producto: por ejemplo, baterías desechables o almohadillas para auriculares de audio); (6) a accesorios (por ejemplo, cables, cajas, bolsas, bolsos o muñequeras); (7) si el producto se ha vendido en una subasta pública.

Esta garantía no es transferible.

Los derechos legales del consumidor en relación con las leyes aplicables a la venta de productos de consumo de su país no se ven afectados por esta garantía.

Provisiones de garantía adicionales

Durante el período de garantía, Guillemot no proporcionará, en principio, ninguna pieza de repuesto, ya que el Soporte Técnico es el único autorizado para abrir y/o reacondicionar los productos de Thrustmaster (con la excepción de los procedimientos de reacondicionamiento que el Soporte técnico puede solicitar que lleve a cabo el consumidor, mediante instrucciones por escrito – por ejemplo, debido a la simplicidad y la falta de confidencialidad del proceso de reacondicionamiento – y suministrando al consumidor las piezas de repuesto necesarias, si hiciese falta).

Debido a sus ciclos de innovación y para proteger su know-how y secretos comerciales, Guillemot no proporcionará, en principio, ninguna pieza de repuesto ni instrucciones de reacondicionamiento para los productos de Thrustmaster cuyo período de garantía haya vencido.

En los Estados Unidos de América y en Canadá, esta garantía está limitada al mecanismo interno del producto y al alojamiento externo. En ningún caso, Guillemot ni sus filiales serán responsables ante terceros por daños resultantes o fortuitos resultado del incumplimiento de cualquier garantía expresa o implícita. En algunos estados o provincias no se permite la limitación de la duración de una garantía implícita ni la exclusión o limitación de responsabilidad por daños resultantes o fortuitos, por lo que las limitaciones o exclusiones anteriores pueden no ser aplicables. Esta garantía ofrece derechos legales específicos al consumidor, que también puede tener otros derechos que pueden variar de un estado a otro o de una provincia a otra.

Responsabilidad

Si la ley aplicable lo permite, Guillemot Corporation S.A. (en lo sucesivo "Guillemot") y sus filiales renuncian a toda responsabilidad por los daños causados por uno o más de los siguientes motivos: (1) el producto ha sido modificado, abierto o alterado; (2) incumplimiento de las instrucciones de montaje; (3) uso inapropiado o abuso, negligencia, accidente (un impacto, por ejemplo); (4) desgaste normal; (5) el producto se ha empleado para otro uso distinto del doméstico, incluyendo fines profesionales o comerciales (salones de juego, entrenamiento, competiciones, por ejemplo). Si la ley aplicable lo permite, Guillemot y sus filiales renuncian a toda responsabilidad por los daños no relacionados con defectos de materiales o fabricación en relación con el producto (incluyendo, pero no de forma exclusiva, los daños causados de forma directa o indirecta por cualquier software, o por combinar el producto de Thrustmaster con cualquier elemento no adecuado, incluyendo en particular fuentes de alimentación, baterías recargables, cargadores o cualquier otro elemento no suministrado por Guillemot para este producto).

DECLARACIÓN DE CONFORMIDAD

NOTICIA DE CONFORMIDAD EN USA: este dispositivo cumple con los límites para dispositivos de computación de Clase B de acuerdo con la Parte 15 de las reglas FCC.

THRUSTMASTER®

SOPORTE TÉCNICO

<https://support.thrustmaster.com>



COPYRIGHT

© 2022 Guillemot Corporation S.A. Todos los derechos reservados. Thrustmaster® es una marca comercial registrada de Guillemot Corporation S.A. Fabricado y distribuido por Guillemot Corporation S.A.

AIRBUS, su logotipo y las marcas comerciales y de servicio son marcas registradas de Airbus. Todos los derechos reservados. © Airbus 2022. Todos los derechos reservados. Con licencia oficial de Airbus.

Microsoft, Xbox, el diseño Xbox "Sphere", Xbox Series X|S, Xbox One y Windows 10/11 son marcas comerciales del grupo de compañías de Microsoft.

Todas las demás marcas comerciales y nombres de marca se reconocen por la presente y son propiedad de sus respectivos dueños. Los contenidos, diseños y especificaciones están sujetos a cambios sin previo aviso y pueden variar de un país a otro. Fotos e ilustraciones no vinculantes. Diseñado en Norteamérica y Europa, fabricado en China.

RECOMENDACIÓN DE PROTECCIÓN AMBIENTAL



* En la Unión Europea, Reino Unido y Turquía: Al terminar su vida útil, este producto no debe tirarse en un contenedor de basuras estándar, sino que debe dejarse en un punto de recogida de desechos eléctricos y equipamiento electrónico para ser reciclado.

Esto viene confirmado por el símbolo que se encuentra en el producto, manual del usuario o embalaje.

Dependiendo de sus características, los materiales pueden reciclarse. Mediante el reciclaje y otras formas de procesamiento de los desechos eléctricos y el equipamiento electrónico puedes contribuir de forma significativa a ayudar a proteger el medio ambiente.

Contacta con las autoridades locales para más información sobre el punto de recogida más cercano. Para los demás países: cumple las leyes locales sobre reciclaje de equipos eléctricos y electrónicos.

Esta información debe conservarse. Los colores y motivos decorativos pueden variar. Los adhesivos y los cierres de plástico se deben quitar del producto antes de utilizarlo.

www.thrustmaster.com

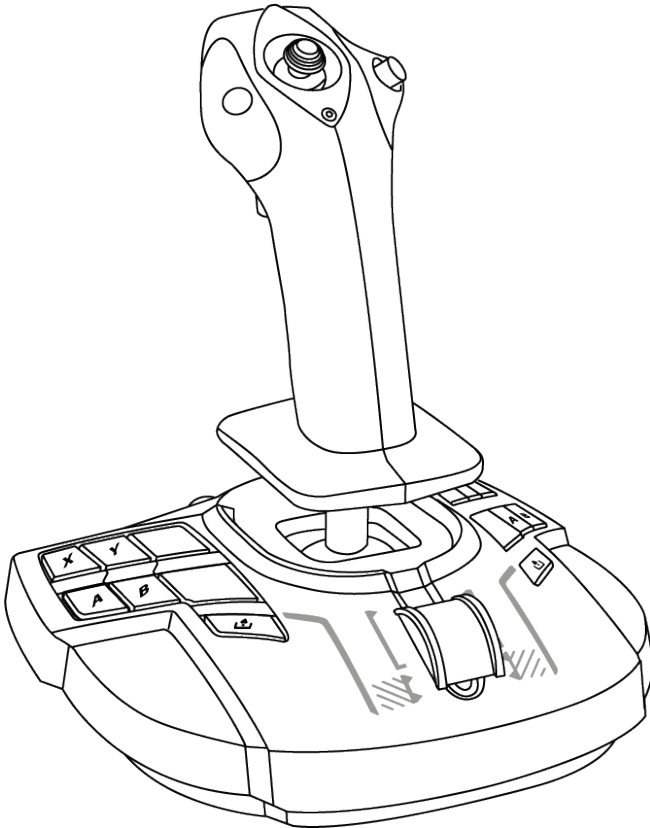
**Aplicable únicamente a la UE, Reino Unido y Turquía*



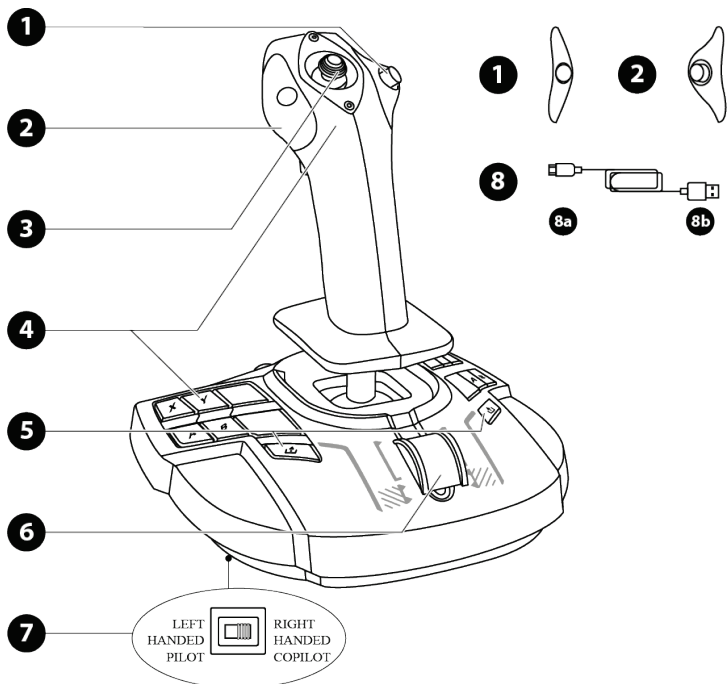
TCA SIDESTICK X AIRBUS EDITION

XBOX SERIES X|S – XBOX ONE – PC

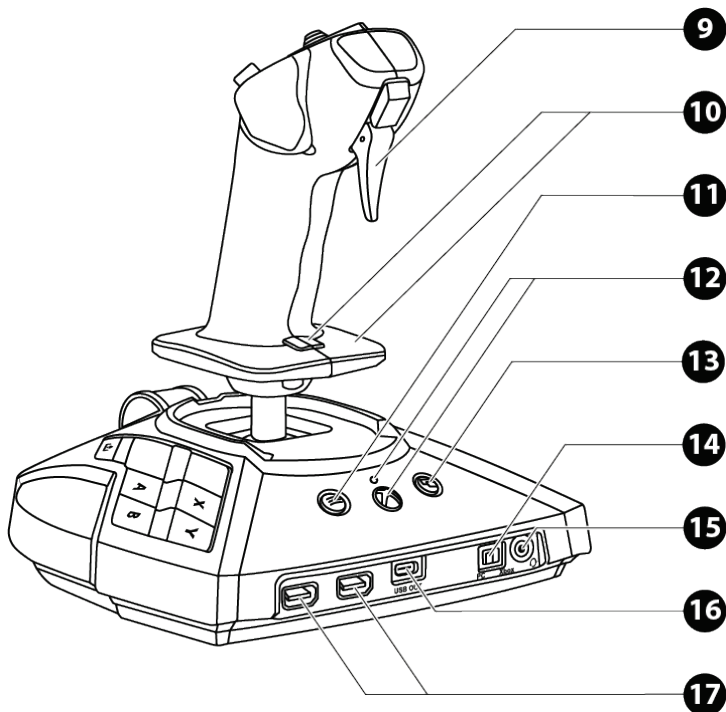
Manual do Utilizador



CARACTERÍSTICAS TÉCNICAS



1. Módulos de botões direitos
2. Módulos de botões esquerdos
3. Hat switch de "ponto de vista" multidirecional
4. 21 botões de ações na Xbox, 22 botões de ações no PC
5. Botões Share (Xbox)
6. Alavanca de potência + botão virtual (apenas no PC)
7. Seletor: LEFT HANDED – PILOT (esquerdino – piloto) / RIGHT HANDED – COPILOT (destro – copiloto)
8. Cabo USB-C (8a) – USB-A (8b)



9. Gatilho digital
10. Controlo do leme de direção através da rotação do manipulador, com descanso para a mão + botão de bloqueio
11. Botão Menu (Xbox)
12. Botão Xbox + LED
13. Botão View (Xbox)
14. Seletor Xbox / PC
15. Conector de microfone minijack de 3,5 mm para auscultadores para jogos*
16. Porta USB Tipo C
17. Portas USB Tipo A para o TCA Quadrant Airbus Edition* ou leme de direção TPR*

* Vendido à parte

APRESENTAÇÃO DO SEU JOYSTICK

TECNOLOGIA DE PRECISÃO EXCLUSIVA H.E.A.R.T: Halleffect AccuRate Technology

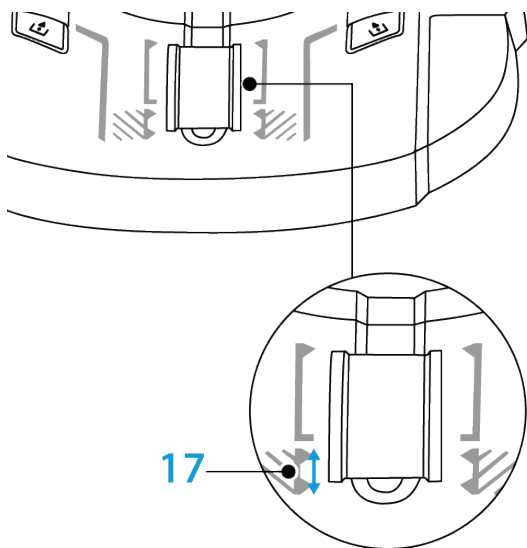
O seu joystick TCA Sidestick X Airbus Edition possui tecnologia de alta precisão, com:

- Sensores magnéticos 3D (efeito Hall) no manípulo;
- Um íman: sem fricção, para uma precisão ilimitada e uma rapidez de resposta incrível que irá perdurar;
- Uma mola helicoidal no manípulo (2,8 mm), para uma tensão firme, linear e ultrafluida.

ALAVANCA DE POTÊNCIA

O seu joystick inclui uma manete de potência (6), que pode utilizar para controlar facilmente o impulso do motor do seu avião.

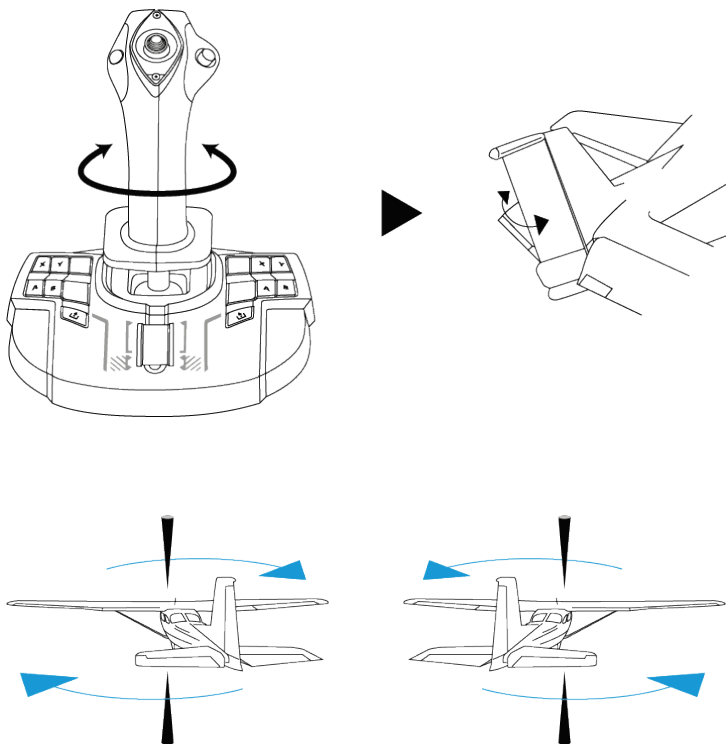
Um botão virtual disponível apenas no PC (número 17 no mapeamento para o PC) é ativado nos primeiros 20% do curso da alavanca de potência a fim de ativar os inversores de impulso.



FUNÇÃO DE LEME DE DIREÇÃO

O seu joystick inclui uma função de leme de direção **(10)**. Num avião, o piloto manipula o leme de direção para fazer girar o avião em torno do seu eixo vertical (fazendo o avião virar para a esquerda ou para a direita).

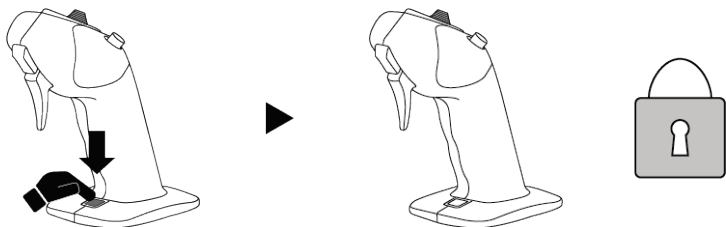
Esta função de leme de direção está disponível no joystick rodando (ou seja, torcendo) o manípulo para a esquerda ou para a direita.



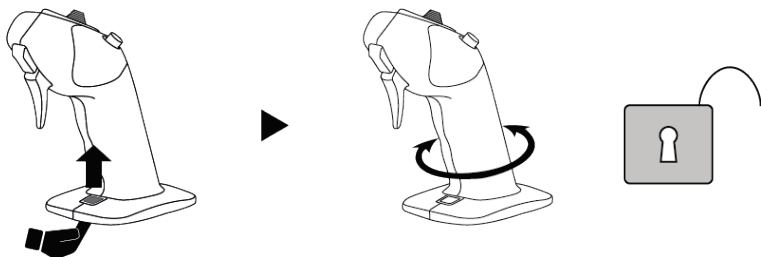
BLOQUEAR/DESBLOQUEAR A FUNÇÃO DE LEME DE DIREÇÃO

A função de leme de direção pode ser desativada utilizando o botão de bloqueio situado na parte posterior do manípulo do joystick.

Pressione este botão para bloquear o eixo do leme de direção.



Volte a colocar este botão na posição superior para desbloquear o eixo do leme de direção.



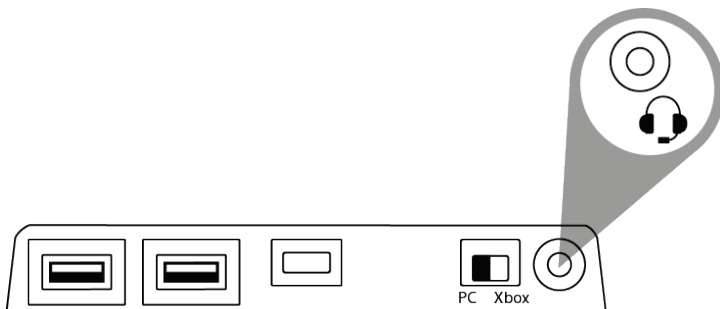
HAT SWITCH DE “PONTO DE VISTA” MULTIDIRECIONAL

O seu joystick inclui um hat switch de “ponto de vista” **(3)**, o qual lhe permite ver instantaneamente tudo o que se passa à volta do seu avião (nos jogos onde esta funcionalidade está ativada). Para utilizar esta funcionalidade, simplesmente aceda ao menu de configuração do jogo e programe as diferentes vistas (vista traseira, vista para a esquerda, vista para a direita, vistas externas) nas direções do hat switch de “ponto de vista”.

Se desejar, em vez disso também pode reservar o hat switch de “ponto de vista” para outras utilizações (disparar, etc.).

CONECTOR DE MICROFONE PARA AUSCULTADORES PARA JOGOS

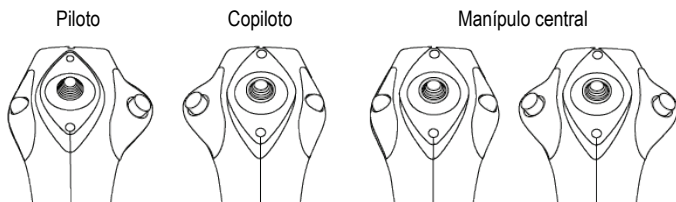
O seu joystick possui um conector de microfone minijaque de 3,5 mm **(15)** que permite utilizar auscultadores para jogos com um microfone integrado para uma experiência mais imersiva.



SISTEMA AMBIDESTRO E AJUSTE DOS MÓDULOS

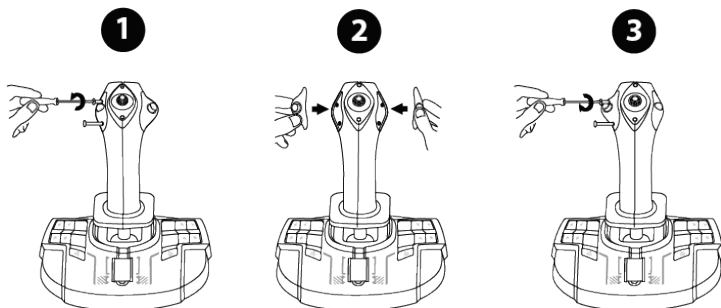
O seu joystick TCA Sidestick X Airbus Edition tem a vantagem de ser ambidestro, o que lhe permite adaptar-se na perfeição a todos os jogadores, sejam eles destros ou esquerdinos.

Por predefinição, o joystick está configurado no modo do piloto. São possíveis quatro configurações:



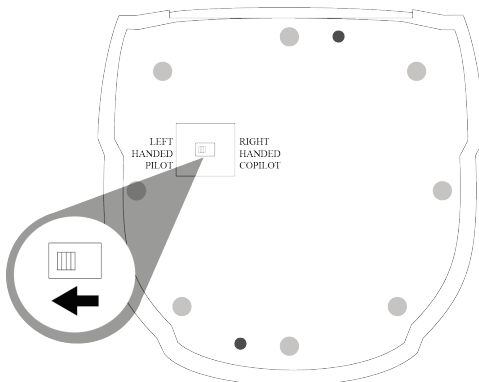
Para modificar a configuração do joystick:

1. Com uma chave de fendas pequena, desaperte cuidadosamente e remova os dois parafusos de cada módulo de botões.
2. Troque os módulos de acordo com a sua configuração preferida.
3. Volte a colocar os parafusos e reaperte-os completamente.



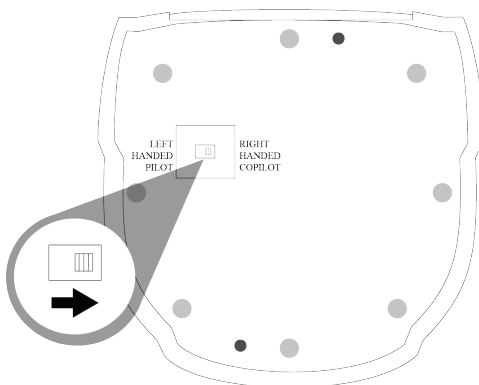
CONFIGURAR O MANÍPULO NO MODO ESQUERDINO (PILOTO)

Para identificar o joystick como estando no modo ESQUERDINO (PILOTO), ajuste o seletor (7) situado sob a base do joystick para LEFT HANDED – PILOT antes de ligar o joystick. O seu produto será em seguida reconhecido como um TCA Sidestick X Pilot.



CONFIGURAR O MANÍPULO NO MODO DESTRO (COPILOTO)

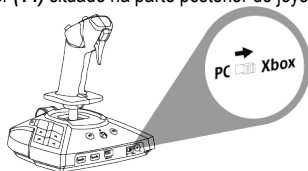
Para identificar o joystick como estando no modo DESTRO (COPILOTO), ajuste o seletor (7) situado sob a base do joystick para RIGHT HANDED – COPILOT antes de ligar o joystick. O seu produto será em seguida reconhecido como um TCA Sidestick X Copilot.



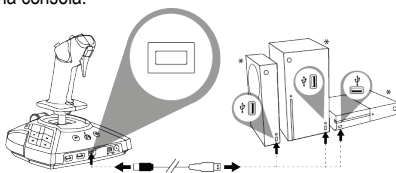
XBOX SERIES X|S / XBOX ONE

INSTALAÇÃO NA XBOX SERIES X|S* / XBOX ONE*

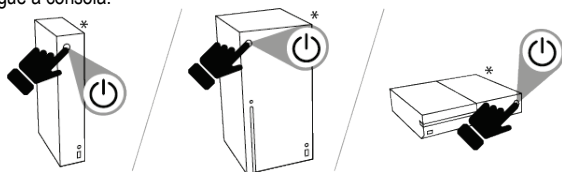
1. Ajuste o seletor **(14)** situado na parte posterior do joystick para a posição Xbox.



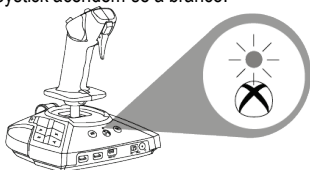
2. Ligue o cabo USB-C/USB-A **(8)** à porta USB Tipo C **(16)** no joystick e a uma porta USB Tipo A na consola.



3. Ligue a consola.



4. As luzes LED do joystick acendem-se a branco.



5. Inicie um jogo compatível que suporte o modo Flight Stick.

Está agora pronto para começar a jogar!

* Vendido à parte

LISTA DE JOGOS COMPATÍVEIS PARA A XBOX SERIES X|S / XBOX ONE

Na Xbox Series X|S* / Xbox One*, o TCA Sidestick X Airbus Edition:

- Apenas é compatível com jogos que suportam o modo Flight Stick.
- É reconhecido nos jogos como um joystick e não como um gamepad, para máxima rapidez de resposta e precisão, bem como para permitir o acesso às opções do joystick disponíveis nestes jogos.

A lista de jogos para a Xbox Series X|S / Xbox One compatíveis com o joystick está disponível em <https://support.thrustmaster.com>, na secção **Joysticks / TCA Sidestick X Airbus Edition**.

Esta lista será atualizada regularmente com o aparecimento de novos jogos para a Xbox Series X|S / Xbox One compatíveis com o TCA Sidestick X Airbus Edition.

* Vendido à parte

EN

FR

DE

NL

IT

ES

PT

RU

CS

TR

PL

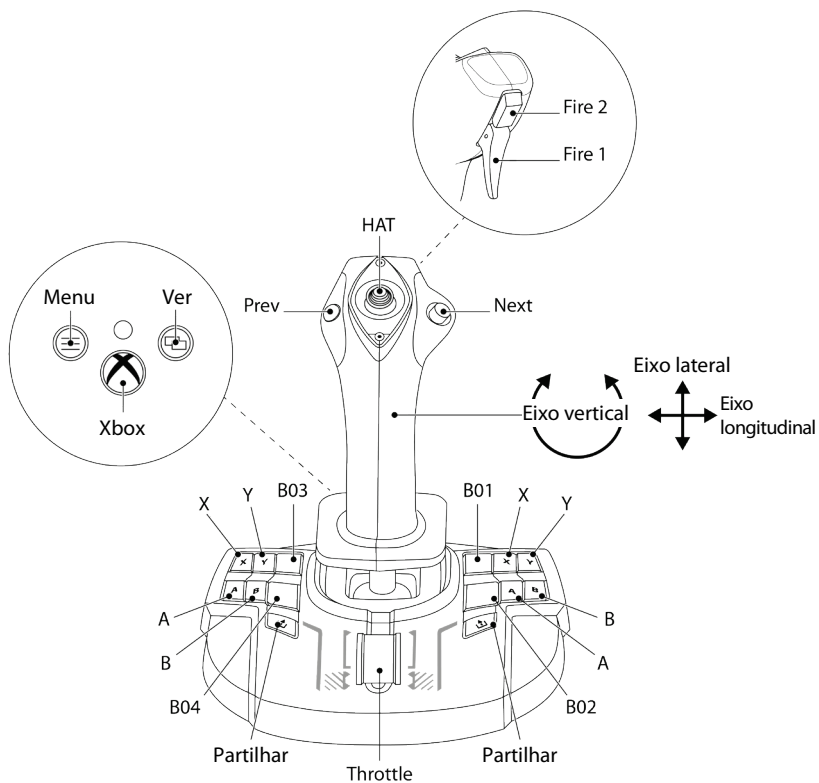
日本語

繁體中文

한국어

العربية

MAPEAMENTO PARA A XBOX



CONECTIVIDADE DO TCA SIDESTICK X AIRBUS EDITION NA XBOX SERIES X|S* / XBOX ONE*

O TCA Sidestick X Airbus Edition possui quatro eixos, mas permite-lhe ligar diretamente o sistema de alavanca de potência TCA Quadrant Airbus Edition*, os módulos TCA Quadrant Add-On Airbus Edition* e um sistema de leme de direção TPR* à parte posterior do joystick.

Apenas na Xbox Series X|S* / Xbox One*, é possível ligar um segundo sistema de alavanca de potência ao TCA Quadrant Airbus Edition*, permitindo ao joystick gerir até nove eixos adicionais.

Na Xbox Series X|S* / Xbox One*, os dispositivos Thrustmaster compatíveis ligados através da porta USB Tipo A serão combinados com o TCA Sidestick X Airbus Edition.



Os únicos dispositivos suportados na Xbox Series X|S* / Xbox One* são o TCA Quadrant Airbus Edition*, o TCA Quadrant Add-On Airbus Edition* e os sistemas de leme de direção TPR* e TFRP*.

* Vendido à parte

EN

FR

DE

NL

IT

ES

PT

RU

CS

TR

PL

日本語

繁體中文

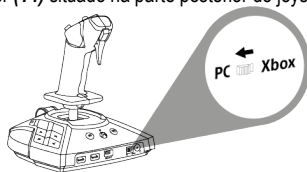
한국어

العربية

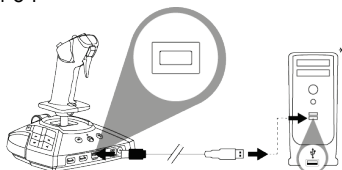
PC

INSTALAÇÃO NO PC*

1. Vá até <https://support.thrustmaster.com>. Clique em **Joysticks / TCA Sidestick X Airbus Edition** e selecione **Controladores**. Transfira e instale o controlador para o PC e a respetiva interface personalizada para o Painel de Controlo do Windows.
2. Ajuste o seletor **(14)** situado na parte posterior do joystick para a posição PC.



3. Ligue o cabo USB-C/USB-A **(8)** à porta USB Tipo C **(16)** no joystick e a uma porta USB Tipo A no PC*.



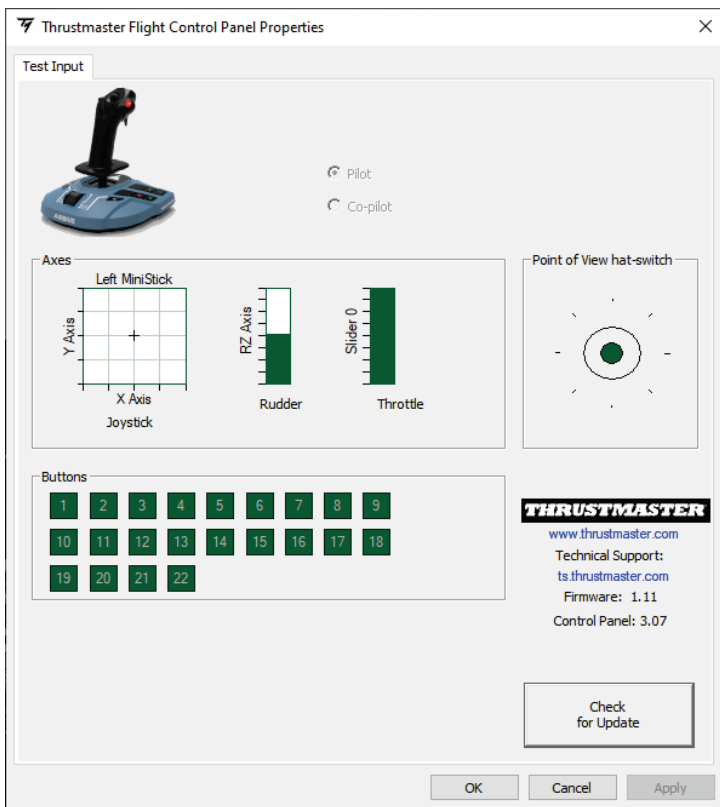
4. Inicie um jogo compatível que suporte periféricos de voo HID.

Está agora pronto para começar a jogar!

* Vendido à parte

INTERFACE PERSONALIZADA

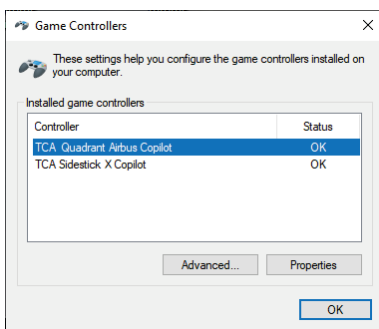
1. Para aceder à interface do Painel de Controlo personalizada, seleccione **Iniciar / Aplicações / Thrustmaster / Painel de Controlo** (no Windows® 10/11). É apresentada a caixa de diálogo **Controladores de jogos**. O dispositivo fica visível no ecrã com o nome **TCA Sidestick X** e o estado **OK**.
2. Na caixa de diálogo **Controladores de jogos**, clique em **Propriedades** para testar e ver todas as funcionalidades.



CONECTIVIDADE DO TCA SIDESTICK X AIRBUS EDITION NO PC*

O TCA Sidestick X Airbus Edition possui quatro eixos, mas permite-lhe ligar diretamente o sistema de alavanca de potência TCA Quadrant Airbus Edition*, os módulos TCA Quadrant Add-On Airbus Edition* e um sistema de leme de direção TPR* à parte posterior do joystick.

Quando o TCA Quadrant Airbus Edition* e o sistema de leme de direção TPR* ou TFRP* estão ligados, são apresentados independentemente na caixa de diálogo **Controladores de jogos** como dispositivos virtuais:

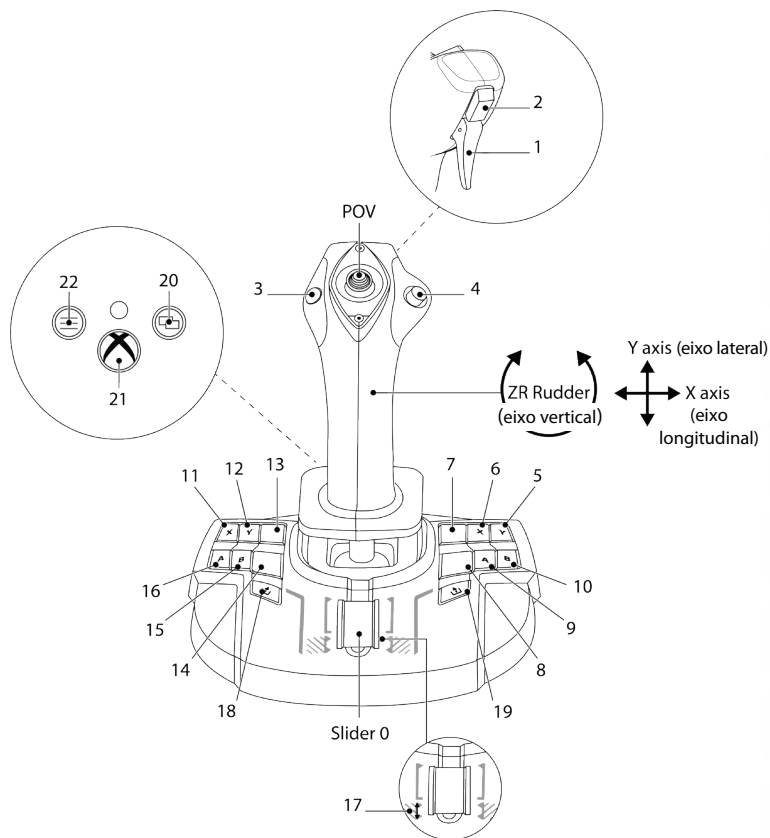


Ligar o sistema de leme de direção TPR* ou TFRP*:

- O controlador tem de ser instalado para que os dispositivos funcionem corretamente.
- Se o sistema de leme de direção estiver ligado ao joystick ou ao sistema de alavanca de potência ligado ao joystick, os três eixos do sistema de leme de direção serão combinados com o quadrante virtual (TCA Quadrant Airbus Copilot).

* Vendido à parte

MAPEAMENTO PARA O PC

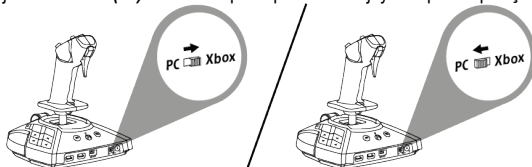


INSTALAR O TCA SIDESTICK X AIRBUS EDITION COMBINADO COM O TCA QUADRANT AIRBUS EDITION* E OS SISTEMAS DE LEME DE DIREÇÃO TPR* E TFRP*

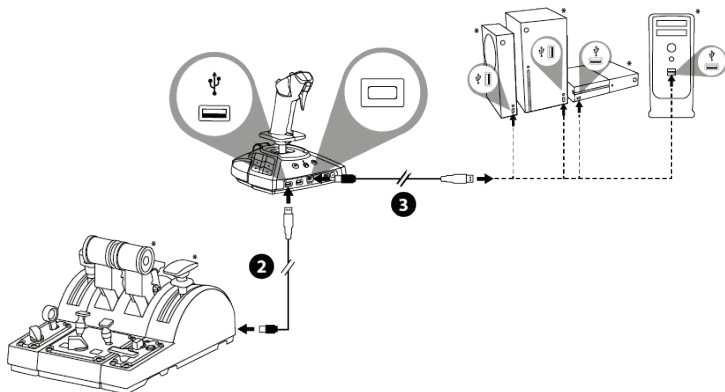
MÓDULOS DE ALAVANCA DE POTÊNCIA E ACESSÓRIOS

O TCA Quadrant Airbus Edition* associado aos módulos TCA Quadrant Add-On Airbus Edition* é ligado ao joystick.

1. Ajuste o seletor **(14)** situado na parte posterior do joystick para a posição Xbox ou PC.



2. Ligue um cabo USB-C/USB-A **(8)** à porta USB Tipo C na alavanca de potência e a uma porta USB Tipo A **(17)** situada na parte posterior do joystick.
3. Ligue um segundo cabo USB-C/USB-A **(8)** à porta USB Tipo C **(16)** no joystick e a uma porta USB Tipo A na consola ou no PC.



* Vendido à parte

SISTEMA DE LEME DE DIREÇÃO

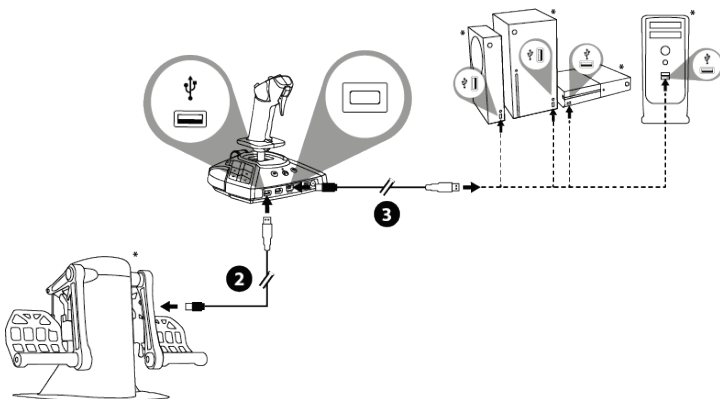
Estão reservados três eixos para os sistemas de leme de direção TPR* e TFRP*.

O sistema de leme de direção **TPR*** é ligado ao joystick.

1. Ajuste o seletor **(14)** situado na parte posterior do joystick para a posição Xbox ou PC.



2. Ligue o cabo USB-A/USB-B do sistema de leme de direção à porta USB Tipo B no sistema de leme de direção e a uma porta USB Tipo A **(17)** situada na parte posterior do joystick.
3. Ligue o cabo USB-C/USB-A **(8)** à porta USB Tipo C **(16)** no joystick e a uma porta USB Tipo A na consola ou no PC.



Na Xbox Series X|S* / Xbox One*, não é possível ligar um sistema de leme de direção TPR* quando já há dois sistemas de alavanca de potência TCA Quadrant Airbus Edition* ligados ao TCA Sidestick X Airbus Edition.

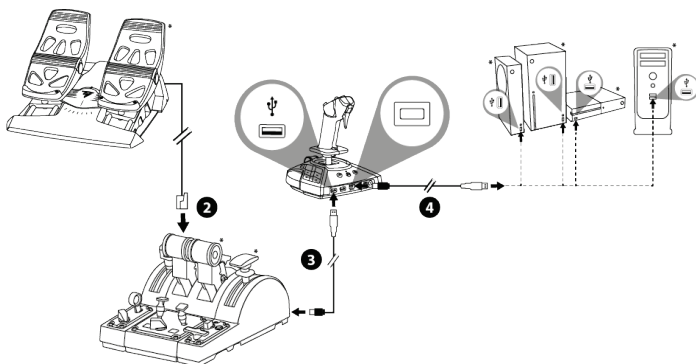
* Vendido à parte

O sistema de leme de direção **TFRP*** é ligado ao sistema de alavanca de potência quando utilizar o TCA Quadrant Airbus Edition*.

1. Ajuste o seletor **(14)** situado na parte posterior do joystick para a posição Xbox ou PC.



2. Ligue o conector RJ12 do sistema de leme de direção à porta RJ12 situada na parte posterior do sistema de alavanca de potência TCA Quadrant Airbus Edition*.
3. Ligue um cabo USB-C/USB-A **(8)** à porta USB Tipo C no sistema de alavanca de potência e a uma porta USB Tipo A **(17)** situada na parte posterior do joystick.
4. Ligue um segundo cabo USB-C/USB-A **(8)** à porta USB Tipo C **(16)** no joystick e a uma porta USB Tipo A na consola ou no PC.



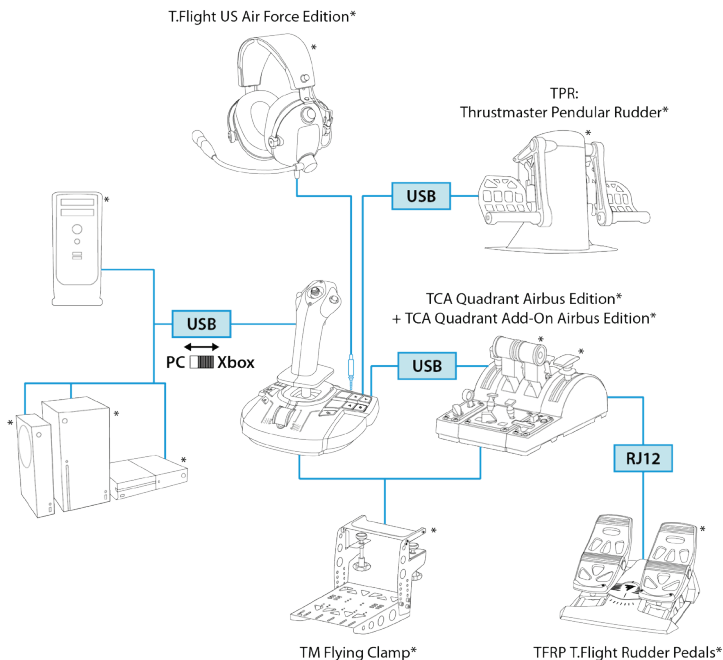
Calibragem automática dos eixos:

- Ao ligar o sistema de leme de direção ao joystick ou ao sistema de alavanca de potência, deixe o eixo do leme de direção centrado. Não coloque os pés no leme de direção.
- Os três eixos dos pedais são calibrados automaticamente após alguns movimentos e assim que forem atingidos os batentes físicos do eixo do leme de direção e dos eixos dos dois travões diferenciais.

* Vendido à parte

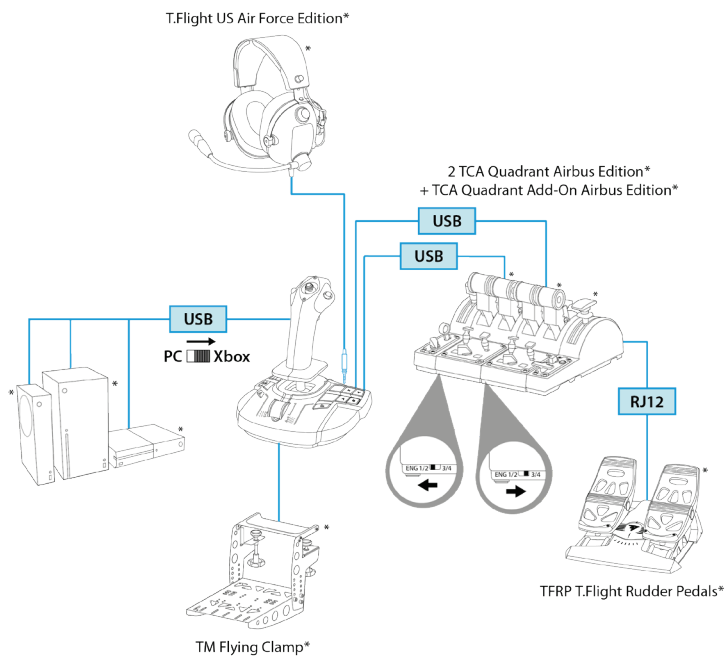
LIGAR O TCA SIDESTICK X AIRBUS EDITION COM TODOS OS PRODUTOS COMPATÍVEIS

XBOX SERIES X|S – XBOX ONE – PC



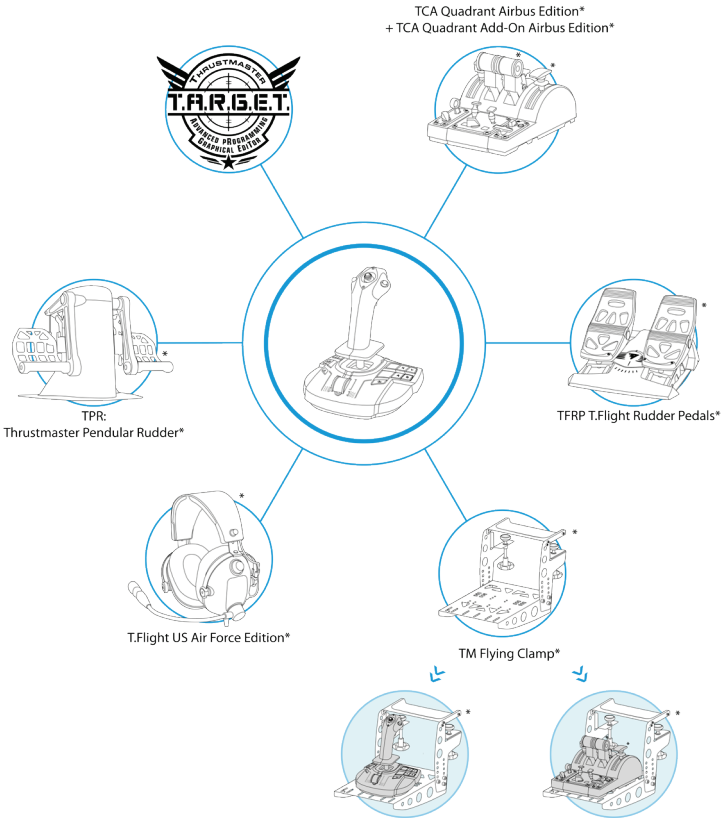
* Vendido à parte

XBOX SERIES X|S – XBOX ONE



* Vendido à parte

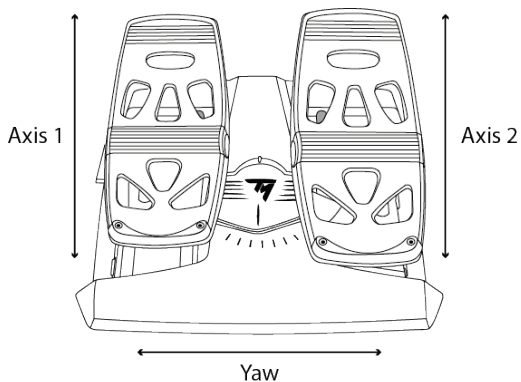
ECOSSISTEMA TCA



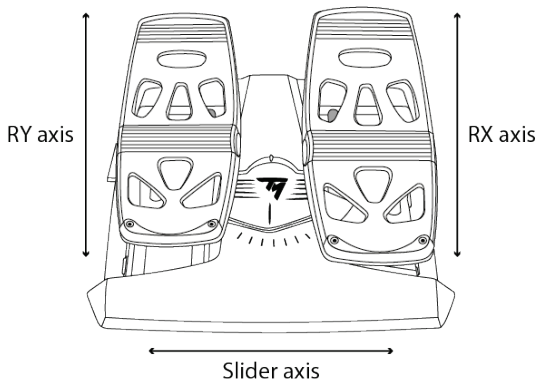
* Vendido à parte

MAPEAMENTO PARA O SISTEMA DE LEME DE DIREÇÃO TFRP* LIGADO AO TCA SIDESTICK X AIRBUS EDITION VIA TCA QUADRANT AIRBUS EDITION*

MAPEAMENTO PARA A XBOX



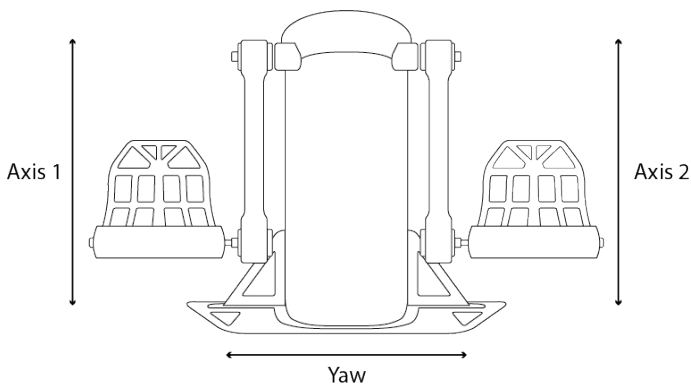
MAPEAMENTO PARA O PC



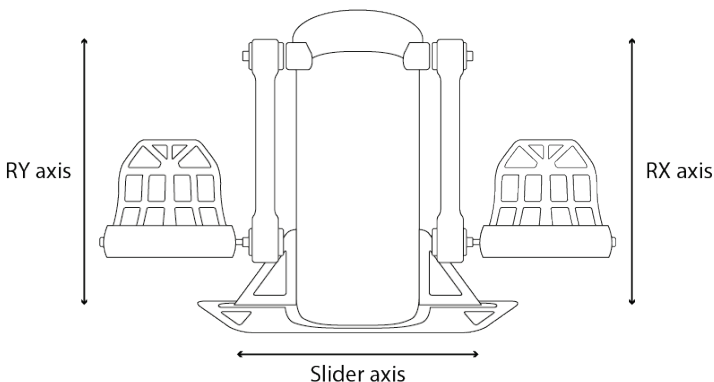
* Vendido à parte

MAPEAMENTO PARA O SISTEMA DE LEME DE DIREÇÃO TPR* LIGADO AO TCA SIDESTICK X AIRBUS EDITION

MAPEAMENTO PARA A XBOX



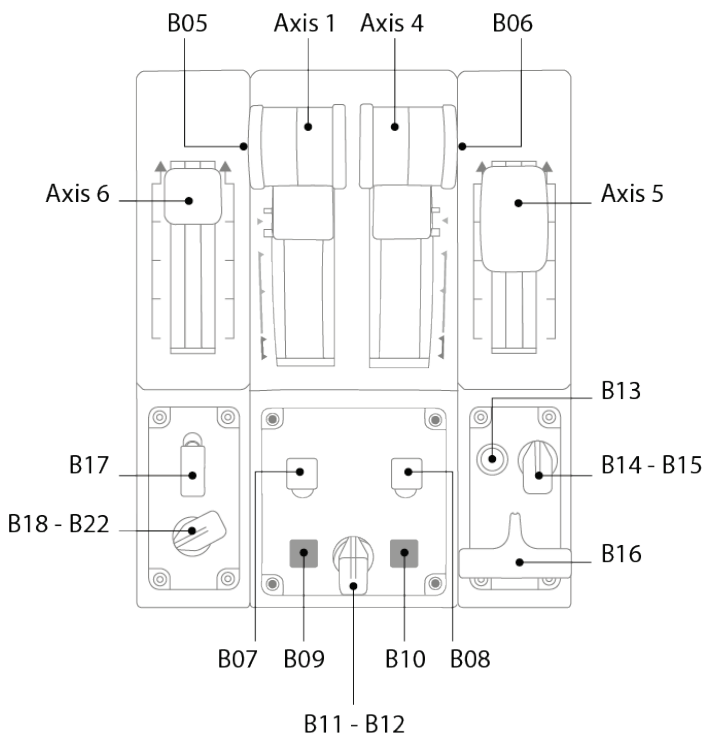
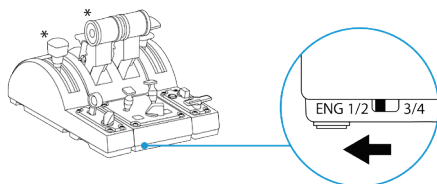
MAPEAMENTO PARA O PC



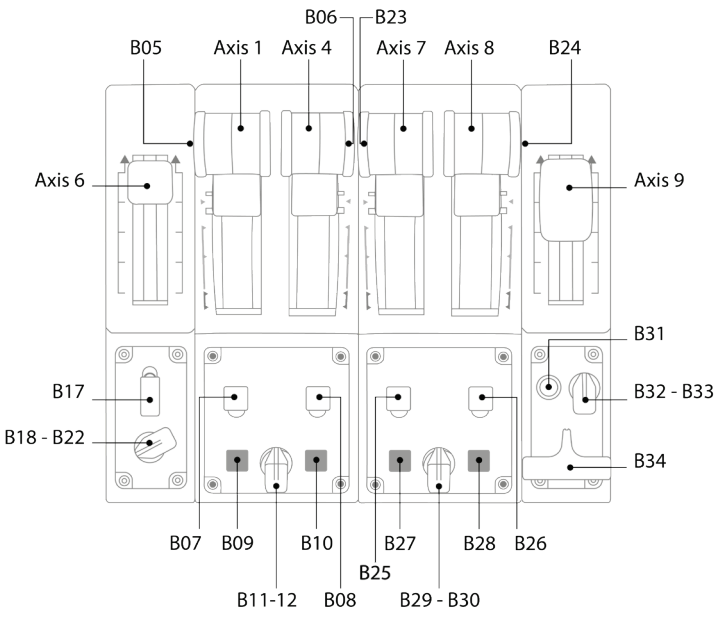
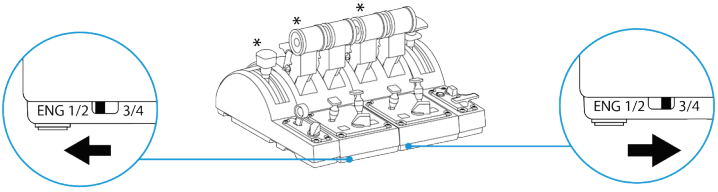
* Vendido à parte

MAPEAMENTO PARA O TCA QUADRANT AIRBUS EDITION* E TCA QUADRANT ADD-ON AIRBUS EDITION* LIGADOS AO TCA SIDESTICK X AIRBUS EDITION

MAPEAMENTO PARA A XBOX

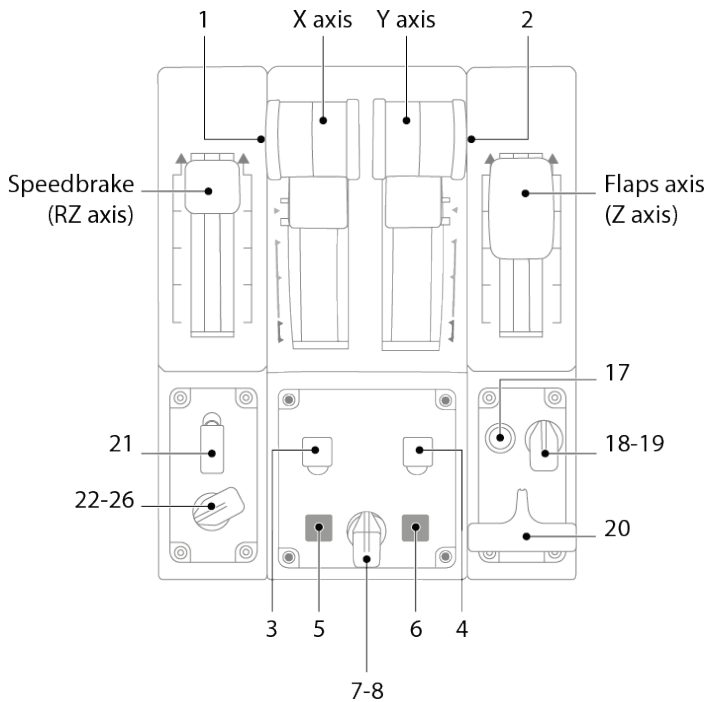
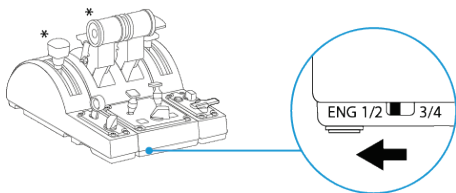


* Vendido à parte



* Vendido à parte

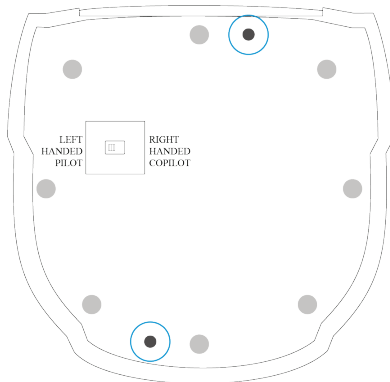
MAPEAMENTO PARA O PC



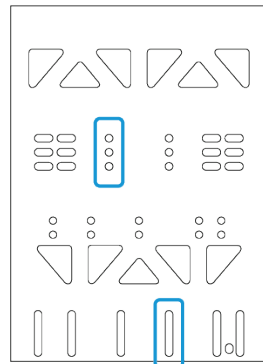
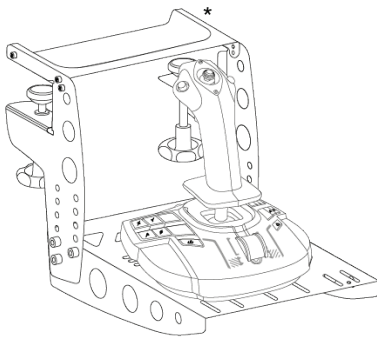
* Vendido à parte

INSTALAR O TCA SIDESTICK X AIRBUS EDITION NO TM FLYING CLAMP*, NUM COCKPIT OU NOUTRO SUPORTE ESTACIONÁRIO

Pode utilizar os dois furos situados na parte inferior do TCA Sidestick X Airbus Edition para fixar o joystick num suporte estacionário com parafusos M6 (não incluídos).



INSTALAR O TCA SIDESTICK X AIRBUS EDITION NO TM FLYING CLAMP*:



* Vendido à parte

ATUALIZAR O FIRMWARE DO TCA SIDESTICK X AIRBUS EDITION

O firmware incluído no joystick pode ser atualizado, de modo a tirar partido dos melhoramentos do produto.

Para ver a versão do firmware do seu joystick e atualizá-lo, se necessário: no PC, vá até <https://support.thrustmaster.com>. Clique em **Joysticks / TCA Sidestick X Airbus Edition / Firmware** e siga as instruções e os procedimentos de transferência e instalação.



Os únicos dispositivos suportados são o sistema de alavanca de potência TCA Quadrant Airbus Edition* combinado com os módulos TCA Quadrant Add-On Airbus Edition* e os sistemas de leme de direção TPR* e TFRP*.

Está agora pronto para começar a jogar!

** Vendido à parte*

SOFTWARE DE PROGRAMAÇÃO AVANÇADA T.A.R.G.E.T (Thrustmaster Advanced pRogramming Graphical EdiTor)

O T.A.R.G.E.T (Thrustmaster Advanced pRogramming Graphical EdiTor) é um pacote de software inovador de alto desempenho que permite efetuar melhoramentos na maioria dos controladores de voo Thrustmaster e a partilha de perfis com a comunidade Thrustmaster.

TRANSFERIR O T.A.R.G.E.T

Vá até <https://support.thrustmaster.com>. Clique em **Joysticks / TCA Sidestick X Airbus Edition** e seleccione **Software**. Transfira e instale o software de programação avançada T.A.R.G.E.T.

PRINCIPAIS FUNCIONALIDADES DO T.A.R.G.E.T:

- Diferentes configurações possíveis dos eixos.
- Diferentes níveis de programação possíveis: Basic, Advanced e Script.
- Utilização do princípio de arrastar e largar.
- Capacidade para combinar o TCA Sidestick X Airbus Edition com outros joysticks Thrustmaster (Hotas Cougar*, Hotas Warthog*, T.16000M*, MFD Cougar Pack*, igualmente compatíveis com o T.A.R.G.E.T), permitindo que sejam reconhecidos como um único dispositivo USB.
- Acesso a perfis avançados criados pela comunidade Thrustmaster.



* Vendido à parte

NOTAS IMPORTANTES

Ao ligar o joystick, deixe sempre o manipulador e o leme de direção centrados e evite movê-los, para evitar quaisquer problemas de calibragem.

RESOLUÇÃO DE PROBLEMAS E ADVERTÊNCIA

O meu joystick não funciona corretamente, ou parece estar mal calibrado.

- Verifique se o seletor (**14**) está na posição correta (Xbox ou PC) antes de ligar o cabo USB à consola ou ao PC.
- Encerre a consola ou o PC, desligue o joystick, volte a ligá-lo e em seguida reinicie o jogo.
- Ao ligar o joystick, deixe o manipulador e o leme de direção centrados e evite movê-los, para evitar quaisquer problemas de calibragem.

Não consigo configurar o meu joystick.

- No menu **Opções / Controlador / Gamepad** ou **Joystick** do jogo, selecione a configuração adequada ou reconfigure completamente as opções do controlador.
- Para mais informações, consulte o manual do utilizador ou o utilitário de ajuda online do jogo.

O meu joystick é demasiado sensível, ou não é suficientemente sensível.

- O TCA Sidestick X Airbus Edition autocalibra-se automaticamente após alguns movimentos nos diferentes eixos.
- No menu **Opções / Controlador / Gamepad** ou **Joystick**, ajuste a sensibilidade e as zonas mortas do controlador (se estas opções estiverem disponíveis).

O conector de microfones do TCA Sidestick X Airbus Edition não funciona corretamente.

- O TCA Sidestick X Airbus Edition inclui um dispositivo de áudio USB. Ao ligar um dispositivo de áudio USB ao Windows pela primeira vez, o volume predefinido para todos os microfones é definido para zero.
- Para resolver o problema, aceda às definições de áudio do Windows para o conector de microfones do TCA Sidestick X Airbus Edition e ajuste o nível de áudio para 100%.

No PC, os dispositivos ligados não funcionam corretamente.

- Instale o controlador para o PC. Vá até <https://support.thrustmaster.com>. Clique em **Joysticks / TCA Sidestick X Airbus Edition** e selecione **Controladores**. Transfira e instale o controlador para o PC e a respetiva interface personalizada para o Painel de Controlo do Windows.



Este dispositivo destina-se a ser utilizado unicamente para fins de entretenimento com jogos. É estritamente proibido utilizar este dispositivo para atividades de formação profissional.

INFORMAÇÕES SOBRE A GARANTIA PARA O CONSUMIDOR

A Guillemot Corporation S.A., com sede social sita em Place du Granier, B.P. 97143, 35571 Chantepie, França (a seguir designada como "Guillemot") garante a nível mundial ao consumidor que este produto Thrustmaster está livre de defeitos em termos de materiais e fabrico durante um período de garantia que corresponde ao limite de tempo para intentar uma ação de conformidade relativamente a este produto. Nos países da União Europeia, isto corresponde a um período de dois (2) anos desde a entrega do produto Thrustmaster. Noutros países, o período de garantia corresponde ao limite de tempo para intentar uma ação de conformidade relativamente ao produto Thrustmaster de acordo com a legislação em vigor do país no qual o consumidor residia à data de compra do produto Thrustmaster (se a dita ação não existir no país correspondente, então o período de garantia será de um (1) ano a partir da data de compra original do produto Thrustmaster).

No caso de o produto apresentar algum defeito durante o período da garantia, contacte imediatamente o Suporte Técnico, que lhe indicará o procedimento a tomar. Se esse defeito se confirmar, o produto terá de ser devolvido ao respetivo local de compra (ou qualquer outro local indicado pelo Suporte Técnico).

No âmbito da presente garantia, e por opção do Suporte Técnico, o produto defeituoso do consumidor será substituído ou reparado. Se, durante o período da garantia, o produto Thrustmaster for submetido à dita reparação, qualquer período mínimo de (7) dias durante o qual o produto estiver fora de serviço será adicionado ao período da garantia restante (este período decorre desde a data do pedido intervenção pelo consumidor ou desde a data em que o produto em questão é disponibilizado para reparação, se a data em que o produto é disponibilizado para reparação for posterior à data do pedido de intervenção). Se for permitido pela legislação em vigor, a responsabilidade total da Guillemot e das respetivas filiais (incluindo para danos indiretos) está limitada à reparação ou à substituição do produto Thrustmaster. Se for permitido pela legislação em vigor, a Guillemot rejeita todas as garantias de comercialização ou adequação a um fim específico.

A presente garantia não se aplicará: (1) se o produto tiver sido modificado, aberto, alterado ou danificado em resultado de utilização inadequada ou abusiva, negligência, acidente, desgaste normal ou qualquer outra casa relacionada com um defeito de material ou fabrico (incluindo, mas sem limitação, combinar o produto Thrustmaster com qualquer elemento inadequado, incluindo, em particular, fontes de alimentação, baterias recarregáveis, carregadores ou quaisquer outros elementos não fornecidos pela Guillemot para este produto); (2) se o produto tiver sido utilizado fora do âmbito da utilização doméstica, incluindo para fins profissionais ou comerciais (salas de jogos, treino e competições, por exemplo); (3) na eventualidade de incumprimento das instruções fornecidas pelo Suporte Técnico; (4) a software, estando o mesmo sujeito a uma garantia específica; (5) a consumíveis (elementos para substituir ao longo da vida útil do produto: baterias descartáveis, auscultadores de áudio ou auriculares de auscultadores, por exemplo); (6) a acessórios (cabos, estojos, bolsas, sacos e correias de pulso, por exemplo); (7) se o produto foi vendido num leilão público.

A presente garantia não é transmissível.

Os direitos legais do consumidor no que concerne à legislação aplicável à venda de bens de consumo no seu país não são afetados pela presente garantia.

Disposições de garantia adicionais

Durante o período da garantia, a Guillemot não fornecerá, em princípio, quaisquer peças de substituição, uma vez que o Suporte Técnico é a única parte autorizada a abrir e/ou reparar qualquer produto Thrustmaster (à exceção de quaisquer procedimentos de reparação que o Suporte Técnico possa pedir ao consumidor para realizar, através de instruções por escrito – por exemplo, devido à simplicidade e à falta de confidencialidade do processo de reparação – e fornecendo ao consumidor a(s) peça(s) de substituição necessária(s), quando aplicável).

Tendo em conta os seus ciclos de inovação, e a fim de proteger o seu know-how e segredos comerciais, a Guillemot não fornecerá, em princípio, qualquer notificação de reparação ou peças de substituição para produtos Thrustmaster cujo período da garantia tenha expirado.

Nos Estados Unidos da América e no Canadá, a presente garantia está limitada ao mecanismo interno e à caixa do produto. Em nenhuma circunstância serão a Guillemot ou as respetivas filiais consideradas responsáveis perante terceiros por quaisquer danos indiretos ou acidentais resultantes da violação de quaisquer garantias expressas ou implícitas. Alguns estados/províncias não permitem a limitação da duração de uma garantia implícita ou a exclusão ou limitação de responsabilidade por danos indiretos ou acidentais, pelo que as limitações ou exclusões supracitadas podem não se aplicar a si. A presente garantia concede-lhe direitos legais específicos, podendo ter também outros direitos, que variam consoante o estado ou a província.

Responsabilidade

Se for permitido ao abrigo da legislação aplicável, a Guillemot Corporation S.A. (a seguir designada “Guillemot”) e as respetivas filiais rejeitam qualquer responsabilidade por danos resultantes de uma ou mais das seguintes causas: (1) o produto foi modificado, aberto ou alterado; (2) incumprimento das instruções de montagem; (3) utilização inadequada ou abusiva, negligência ou acidente (um impacto, por exemplo); (4) desgaste normal; (5) utilização do produto fora do âmbito além da utilização doméstica, incluindo para fins profissionais ou comerciais (salas de jogos, treino e competições, por exemplo). Se for permitido ao abrigo da legislação aplicável, a Guillemot e as respetivas filiais rejeitam qualquer responsabilidade por danos relacionados com um defeito de material ou fabrico relativamente ao produto (incluindo, mas sem limitação, quaisquer danos causados direta ou indiretamente por qualquer software ou por combinar o produto Thrustmaster com qualquer elemento inadequado, incluindo, em particular, fontes de alimentação, baterias recarregáveis, carregadores ou quaisquer outros elementos não fornecidos pela Guillemot para este produto).

THRUSTMASTER®

SUORTE TÉCNICO

<https://support.thrustmaster.com>



DIREITOS DE AUTOR

©2022 Guillemot Corporation S.A. Todos os direitos reservados. Thrustmaster® é uma marca registada da Guillemot Corporation S.A. Fabricado e distribuído pela Guillemot Corporation S.A.

AIRBUS, o respetivo logótipo e as marcas de serviços são marcas registadas da Airbus. Todos os direitos reservados. © Airbus 2022. Todos os direitos reservados. Licenciados oficialmente pela Airbus.

Microsoft, Xbox, o design "Sphere" da Xbox, Xbox Series X|S, Xbox One e Windows 10/11 são marcas comerciais do grupo de empresas da Microsoft.

Todas as outras marcas comerciais e nomes de marcas são por este meio reconhecidos e pertencem aos respetivos proprietários. Os conteúdos, os desenhos e as especificações estão sujeitos a alteração sem aviso prévio e poderão variar consoante o país. As fotografias e ilustrações não são vinculativas. Concebido na América do Norte e Europa, fabricado na China.

RECOMENDAÇÕES DE PROTEÇÃO AMBIENTAL



* Na União Europeia, Reino Unido e Turquia: quando este produto chegar ao fim da sua vida útil, não o elimine juntamente com os resíduos domésticos normais; em vez disso, deixe-o num ponto de recolha de resíduos de equipamento eléctrico e electrónico (REEE) para posterior reciclagem.

O símbolo presente no produto, no manual de utilizador ou na caixa confirma-o.

Os materiais podem ser reciclados, dependendo das suas características. Através da reciclagem e de outras formas de processamento de resíduos de equipamento eléctrico e electrónico, pode dar um importante contributo no sentido de ajudar a proteger o ambiente.

Contacte as autoridades locais para saber onde fica o ponto de recolha mais perto da sua área de residência.

Relativamente a todos os outros países: Respeite a legislação local sobre a reciclagem de equipamento eléctrico e electrónico.

Informações a reter. As cores e as decorações podem variar.

Os fechos e os adesivos devem ser removidos do produto antes da utilização.

www.thrustmaster.com

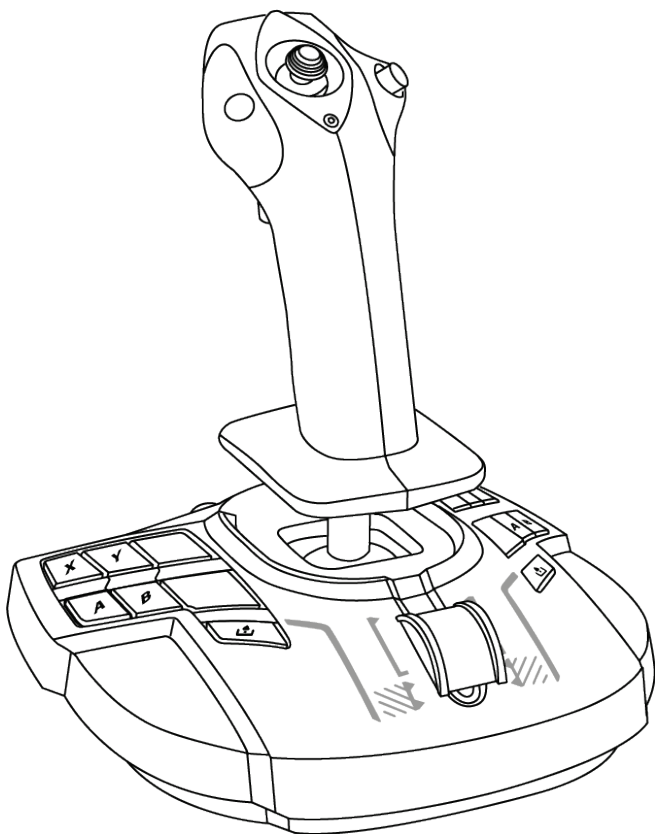
**Aplicável apenas à União Europeia, Reino Unido e Turquia*



TCA SIDESTICK X AIRBUS EDITION

XBOX SERIES X|S — XBOX ONE — ПК

Руководство пользователя



EN

FR

DE

NL

IT

ES

PT

RU

CS

TR

PL

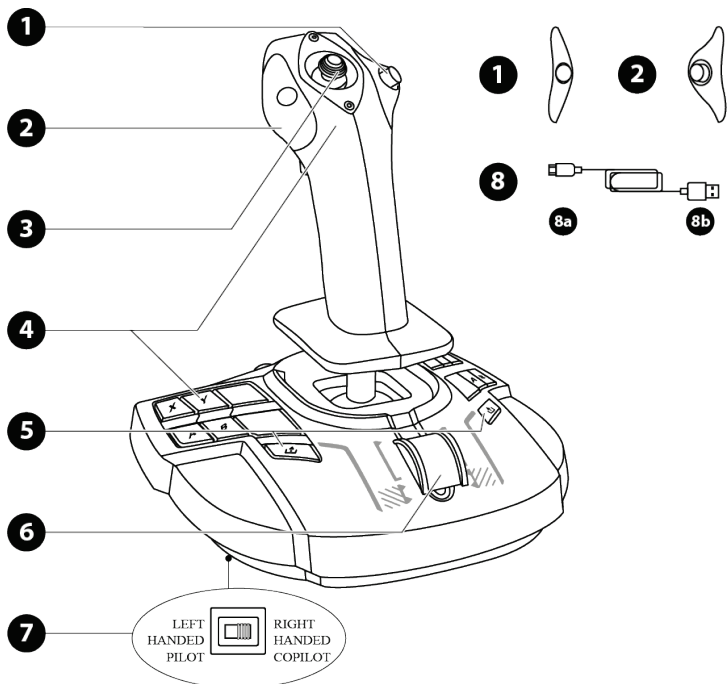
日本語

繁體中文

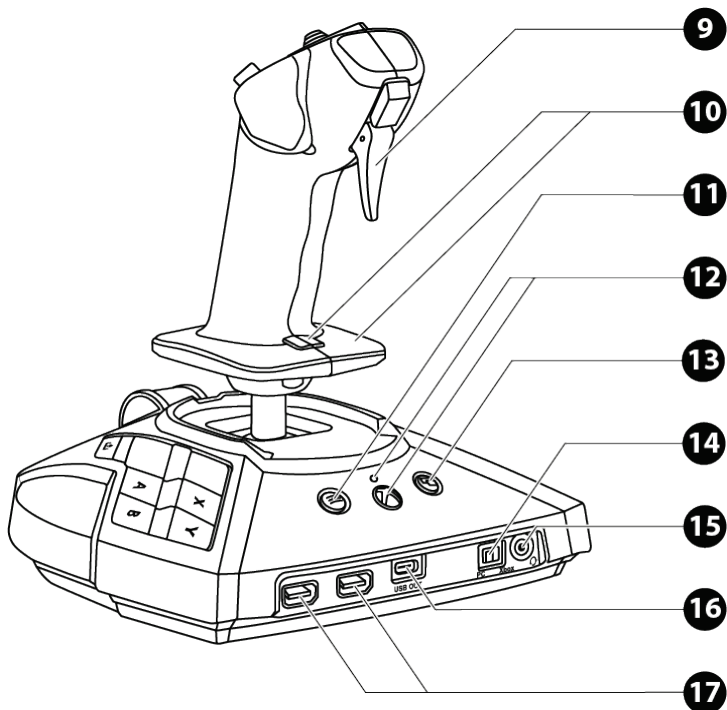
한국어

العربية

ТЕХНИЧЕСКИЕ ХАРАКТЕРИСТИКИ



1. Правый кнопочный модуль
2. Левый кнопочный модуль
3. Разнонаправленный переключатель точки обзора
4. 21 кнопка действий на Xbox, 22 кнопки действий на ПК
5. Кнопки совместного доступа (Xbox)
6. Рычаг управления и одна виртуальная кнопка (только на ПК)
7. Селекторный переключатель: LEFT HANDED — PILOT (игра левой рукой — пилот) / RIGHT HANDED — COPILOT (игра правой рукой — второй пилот)
8. Кабель USB-C (8a) — USB-A (8b)



9. Цифровой триггер
10. Изменение направления с помощью вращающейся рукоятки с подручником и кнопки блокировки
11. Кнопка меню (Xbox)
12. Кнопка Xbox и светодиод
13. Кнопка просмотра (Xbox)
14. Селекторный переключатель Xbox/PC
15. Микрофонный разъем мини-джек 3,5 мм для игровой гарнитуры*
16. Порт USB Type-C
17. USB-порты Type-A для TCA Quadrant Airbus Edition* или руль TPR*

*продается отдельно

ОПИСАНИЕ ДЖОЙСТИКА

УНИКАЛЬНАЯ ТЕХНОЛОГИЯ ОБЕСПЕЧЕНИЯ ТОЧНОСТИ H.E.A.R.T: HallEffect AccuRate Technology

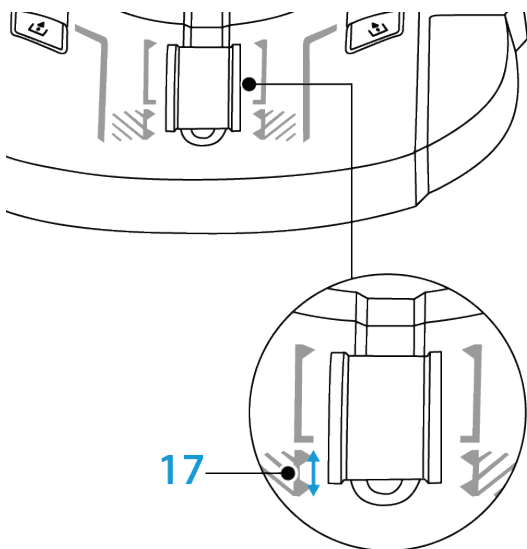
В вашем джойстике TCA Sidestick X Airbus Edition используется высокоточная технология:

- трехмерные магнитные датчики (эффект Халл), установленные на рукоятке;
- магнит: без трения, для обеспечения максимальной точности и невероятной скорости отклика, которые не изменяются со временем.
- цилиндрическая винтовая пружина на рукоятке (2,8 мм): для стабильного и чрезвычайно плавного линейного сопротивления.

РЫЧАГ УПРАВЛЕНИЯ

На джойстике имеется рычаг управления (6), позволяющий легко контролировать тягу двигателя самолета.

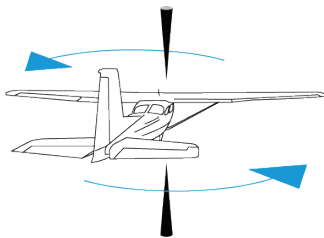
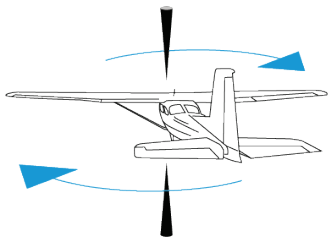
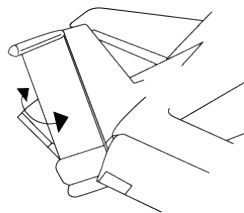
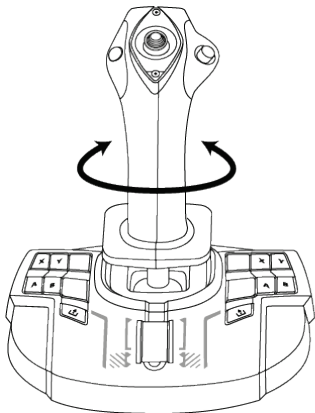
Виртуальная кнопка (только на ПК — номер 17 на схеме кнопок для ПК) активируется в первые 20 процентов движения рычага управления для включения реверсоров тяги.



ФУНКЦИЯ НАПРАВЛЕНИЯ

Джойстик оснащен функцией направления (10). Во время полета пилот перемещает руль направления, чтобы изменить угол наклона самолета относительно его вертикальной оси и тем самым поворачивать самолет влево или вправо.

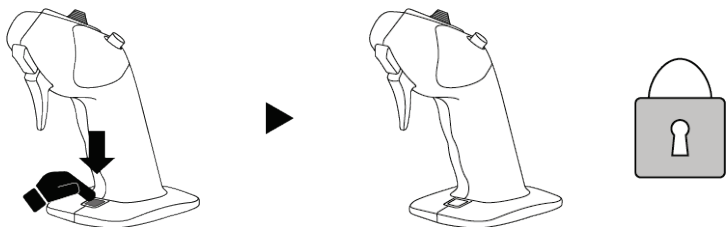
Для использования функции направления рукоятку необходимо поворачивать (то есть вращать) влево или вправо.



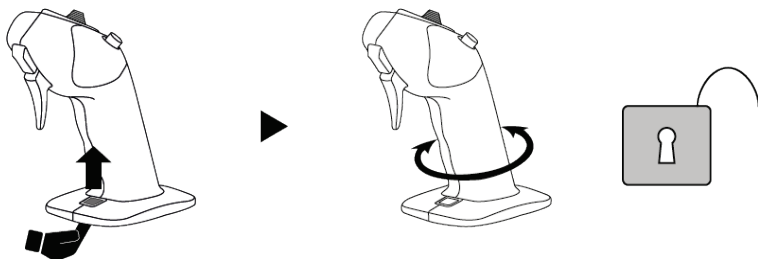
БЛОКИРОВКА/РАЗБЛОКИРОВКА ФУНКЦИИ НАПРАВЛЕНИЯ

Функция направления отключается кнопкой блокировки на задней части рукоятки джойстика.

Нажмите на эту кнопку, чтобы заблокировать ось руля направления.



Переместите эту кнопку в верхнее положение, чтобы разблокировать ось руля.



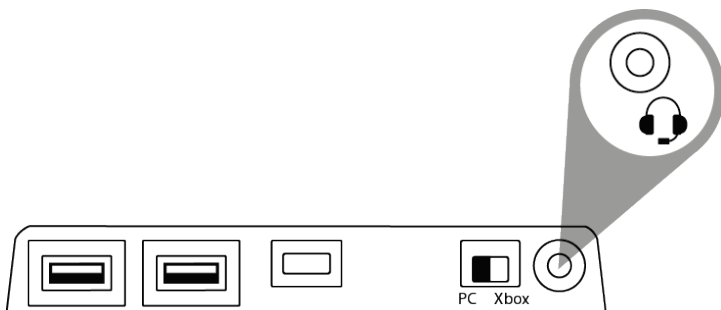
РАЗНОНАПРАВЛЕННЫЙ ПЕРЕКЛЮЧАТЕЛЬ ТОЧКИ ОБЗОРА

На джойстике установлен переключатель точки обзора (3), который позволяет быстро изучить обстановку вокруг самолета (в тех играх, в которых такая возможность предусмотрена). Для использования этой функции просто перейдите в меню настроек игры и запрограммируйте различные точки обзора (обзор заднего вида, обзор слева и справа, внешний обзор) по направлениям переключателя точки обзора.

При желании вместо этого переключатель точки обзора можно зарезервировать для других функций (стрельба и т. д.).

РАЗЪЕМ ДЛЯ МИКРОФОНА ИГРОВОЙ ГАРНИТУРЫ

Джойстик оснащен разъемом для микрофона 3,5 мм мини-джек (15), позволяющим использовать игровую гарнитуру со встроенным микрофоном для большего погружения в игру.

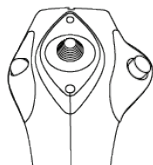


СИСТЕМА ДЛЯ ЛЕВОЙ И ПРАВОЙ РУКИ И РЕГУЛИРОВКА МОДУЛЕЙ

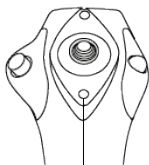
Джойстик TCA Sidestick X Airbus Edition настраивается под левую и правую руку, благодаря чему он подойдет для всех игроков, как правшей, так и левшей.

По умолчанию для джойстика установлен режим первого пилота. Возможны четыре конфигурации:

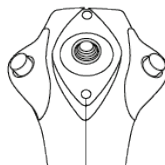
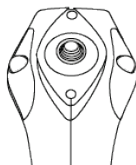
Пилот



Второй пилот



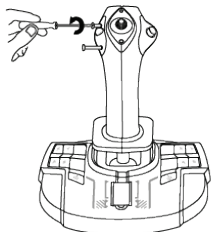
Центральная рукоятка



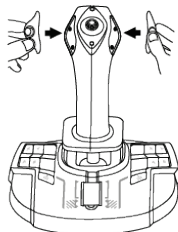
Чтобы изменить конфигурацию джойстика, выполните следующие действия:

1. С помощью небольшой отвертки осторожно открутите и выньте два винта из каждого кнопочного модуля.
2. Переставьте модули в соответствии с выбранной конфигурацией.
3. Вставьте винты на место и затяните их до упора.

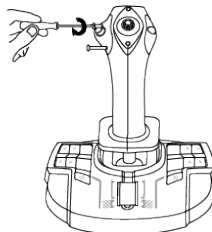
1



2



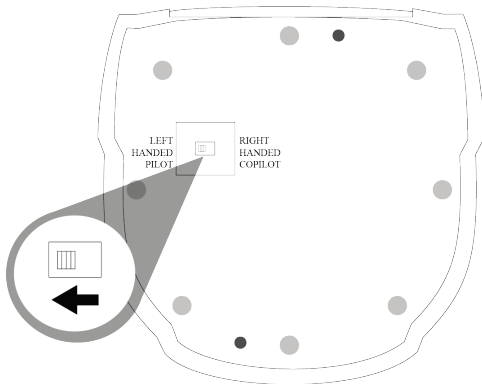
3



НАСТРОЙКА РУКОЯТКИ В РЕЖИМЕ ЛЕВОЙ РУКИ (ПИЛОТ)

Чтобы установить джойстик в режим ЛЕВОЙ РУКИ (ПИЛОТ), установите селекторный переключатель (7), расположенный под основанием джойстика, в положение LEFT HANDED — PILOT перед подключением джойстика.

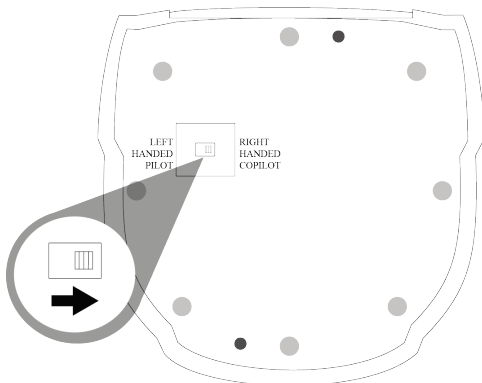
После этого джойстик будет распознан как TCA Sidestick X Pilot.



НАСТРОЙКА РУКОЯТКИ В РЕЖИМЕ ПРАВОЙ РУКИ (ВТОРОЙ ПИЛОТ)

Чтобы установить джойстик в режим ПРАВОЙ РУКИ (ВТОРОЙ ПИЛОТ), установите селекторный переключатель (7), расположенный под основанием джойстика, в положение RIGHT-HANDED — COPILOT перед подключением джойстика.

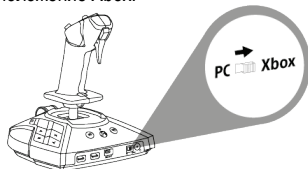
После этого джойстик будет распознан как TCA Sidestick X Copilot.



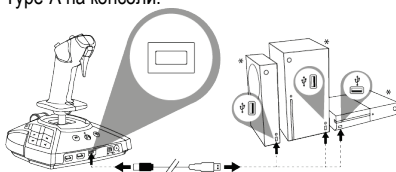
XBOX SERIES X|S / XBOX ONE

УСТАНОВКА НА XBOX SERIES X|S* ИЛИ XBOX ONE*

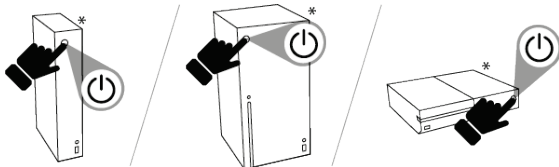
1. Установите селекторный переключатель (14), расположенный на задней части джойстика, в положение Xbox.



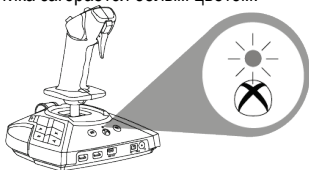
2. Подключите кабель USB-C — USB-A (8) к порту USB Type-C (16) на джойстике и к порту USB Type-A на консоли.



3. Включите консоль.



4. Светодиод джойстика загорается белым цветом.



5. Запустите совместимую игру (поддерживающую режим Flight Stick).

Теперь вы готовы к игре!

**продается отдельно*

СПИСОК СОВМЕСТИМЫХ ИГР ДЛЯ XBOX SERIES X|S ИЛИ XBOX ONE

На Xbox Series X|S* или Xbox One* джойстик TCA Sidestick X Airbus Edition:

- совместим только с играми, поддерживающими режим Flight Stick;
- распознается в играх как настоящий джойстик (а не как геймпад), обеспечивая максимальную скорость отклика и точность, а также доступ к опциям джойстика, которые предусмотрены в этих играх.

Со списком игр для Xbox Series X|S или Xbox One, совместимых с джойстиком, можно ознакомиться по адресу <https://support.thrustmaster.com> в разделе **Joysticks (Джойстики) / TCA Sidestick X Airbus Edition**.

Этот список будет регулярно пополняться по мере появления новых игр для консолей Xbox Series X|S или Xbox One, совместимых с джойстиком TCA Sidestick X Airbus Edition.

**продается отдельно*

EN

FR

DE

NL

IT

ES

PT

RU

CS

TR

PL

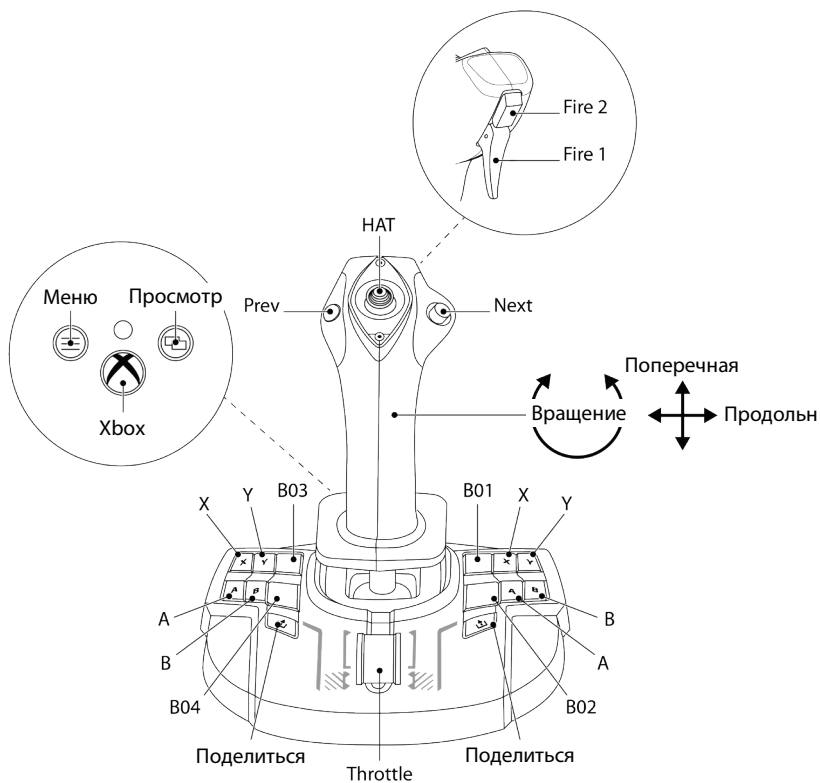
日本語

繁體中文

한국어

العربية

СХЕМА НАЗНАЧЕНИЯ КНОПОК ДЛЯ ХВОХ



ПОДКЛЮЧЕНИЕ TCA SIDESTICK X AIRBUS EDITION К XBOX SERIES X|S* / XBOX ONE*

TCA Sidestick X Airbus Edition имеет четыре оси, но позволяет напрямую подключать систему управления TCA Quadrant Airbus Edition*, модули TCA Quadrant Add-On Airbus Edition* модули и систему руля направления TPR* к задней части джойстика.

Только на Xbox Series X|S* / Xbox One* к TCA Quadrant Airbus Edition* можно подключить вторую систему управления, позволяющую джойстику управлять девятью дополнительными осями.

На Xbox Series X|S* / Xbox One* совместимые устройства Thrustmaster, подключенные через порт USB Type-A, будут объединены с TCA Sidestick X Airbus Edition.



На Xbox Series X|S* / Xbox One* поддерживаются только устройства TCA Quadrant Airbus Edition*, TCA Quadrant Add-On Airbus Edition*, а также системы руля направления TPR* и TFRP*.

**продается отдельно*

EN

FR

DE

NL

IT

ES

PT

RU

CS

TR

PL

日本語

繁體中文

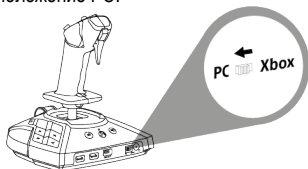
한국어

العربية

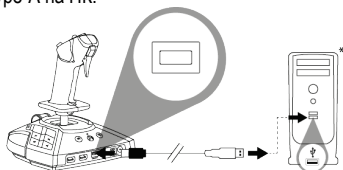
ПК

УСТАНОВКА НА ПК*

1. Перейдите на веб-сайт <https://support.thrustmaster.com>. Откройте раздел **Joysticks (Джойстики)**, затем щелкните **TCA Sidestick X Airbus Edition** и выберите **Drivers (Драйверы)**. Загрузите и установите драйвер для ПК с его специальным интерфейсом для панели управления Windows.
2. Установите селекторный переключатель (**14**), расположенный на задней части джойстика, в положение PC.



3. Подключите кабель USB-C — USB-A (**8**) к порту USB Type-C (**16**) на джойстике и к порту USB Type-A на ПК.



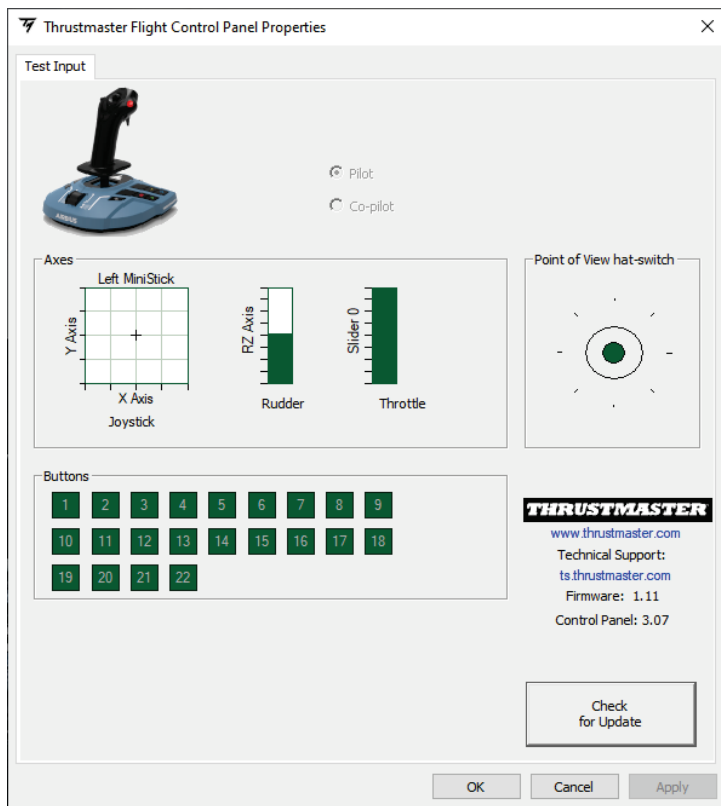
4. Запустите совместимую игру, поддерживающую периферийные устройства HID.

Теперь вы готовы к игре!

**продается отдельно*

НАСТРАИВАЕМЫЙ ИНТЕРФЕЙС

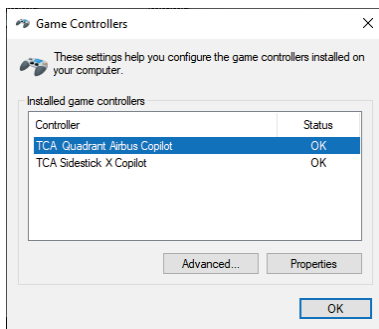
1. Чтобы получить доступ к настраиваемому интерфейсу панели управления, выберите **Start (Пуск) / Apps (Приложения) / Thrustmaster / Control Panel (Панель управления)** (в Windows® 10/11).
Откроется окно **Game Controllers (Игровые устройства)**. Устройство отобразится на экране с названием **TCA Sidestick X** и со статусом **OK**.
2. В окне **Game Controllers (Игровые устройства)** щелкните пункт **Properties (Свойства)** для просмотра и проверки всех характеристик устройства.



ПОДКЛЮЧЕНИЕ TCA SIDESTICK X AIRBUS EDITION К ПК*

TCA Sidestick X Airbus Edition имеет четыре оси, но позволяет напрямую подключать систему управления TCA Quadrant Airbus Edition*, модули TCA Quadrant Add-On Airbus Edition* модули и систему руля направления TPR* к задней части джойстика.

Когда подключены TCA Quadrant Airbus Edition* и система руля направления TPR* или TFRP*, они появляются отдельно в диалоговом окне **Game Controllers (Игровые устройства)** как виртуальные устройства:

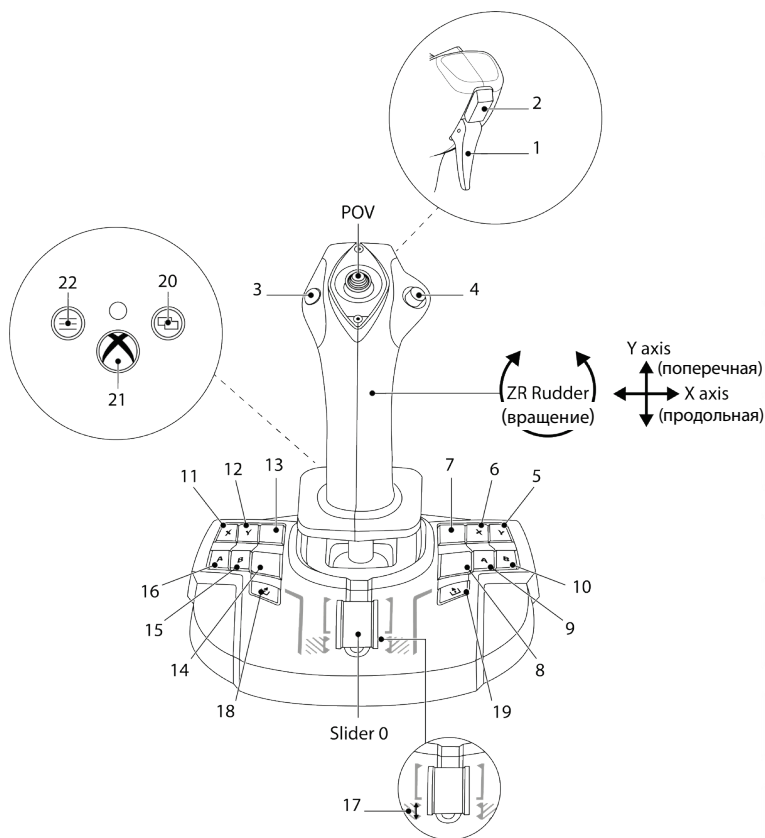


Подключение системы руля направления TPR* или TFRP*:

- Драйвер должен быть установлен для того, чтобы устройства функционировали должным образом.
- Если система руля направления подключена к джойстику или к рычагу управления, подключенному к джойстику, три оси системы руля направления объединяются с виртуальным квадрантом (TCA Quadrant Airbus Copilot).

**продается отдельно*

СХЕМА НАЗНАЧЕНИЯ КНОПОК НА ПК



EN

FR

DE

NL

IT

ES

PT

RU

CS

TR

PL

日本語

繁體中文

한국어

العربية

УСТАНОВКА TCA SIDESTICK X AIRBUS EDITION В СОЧЕТАНИИ С TCA QUADRANT AIRBUS EDITION* И СИСТЕМАМИ РУЛЯ НАПРАВЛЕНИЯ TPR* И TFRP*

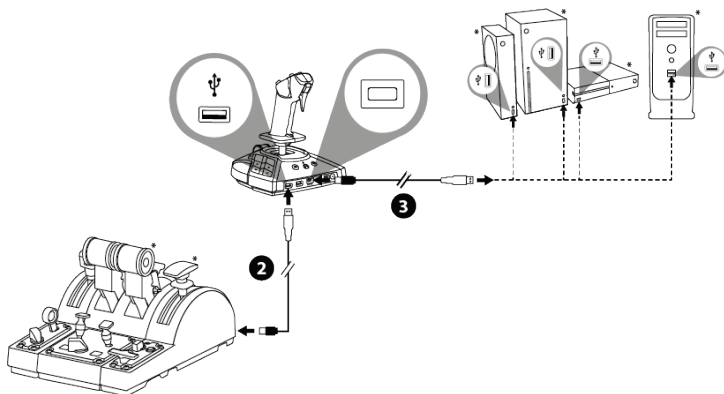
РЫЧАГ УПРАВЛЕНИЯ И ДОПОЛНИТЕЛЬНЫЕ МОДУЛИ

Модули TCA Quadrant Airbus Edition* и TCA Quadrant Add-On Airbus Edition* подключаются к джойстику.

1. Установите селекторный переключатель (14), расположенный на задней части джойстика, в положение Xbox или ПК.



2. Подключите кабель USB-C — USB-A (8) к порту USB Type-C на рычаге управления и к порту USB Type-A (17), расположенному на задней части джойстика.
3. Подключите второй кабель USB-C — USB-A (8) к порту USB Type-C (16) на джойстике и к порту USB Type-A на консоли или ПК.



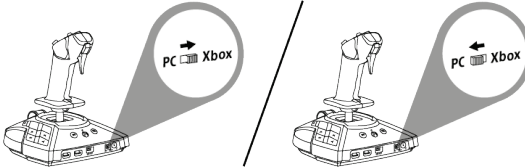
*продается отдельно

СИСТЕМА РУЛЯ НАПРАВЛЕНИЯ

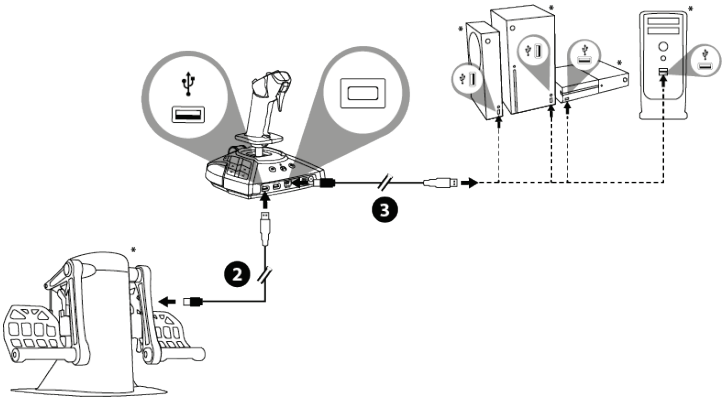
Для систем руля направления TPR* и TFRP* зарезервированы три оси.

Система руля направления **TPR*** подключается к джойстику.

1. Установите селекторный переключатель (**14**), расположенный на задней части джойстика, в положение Xbox или ПК.



2. Подключите кабель USB-A — USB-B системы руля направления к USB-порту Type-B на системе руля и к USB-порту Type-A (**17**), расположенному на задней части джойстика.
3. Подключите кабель USB-C — USB-A (**8**) к порту USB Type-C (**16**) на джойстике и к порту USB Type-A на консоли или ПК.

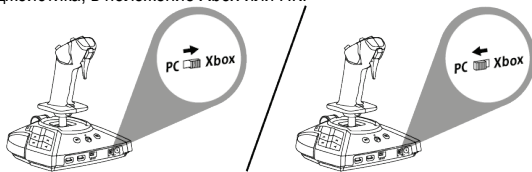


На Xbox Series X|S* / Xbox One* невозможно подключить систему руля направления TPR*, когда два рычага управления TCA Quadrant Airbus Edition* уже подключены к TCA Sidestick X Airbus Edition.

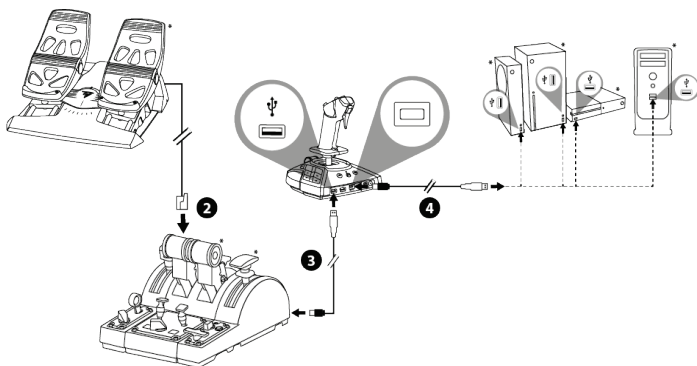
*продается отдельно

Система руля направления TFRP* подключается к рычагу управления, если вы используете TCA Quadrant Airbus Edition*.

1. Установите селекторный переключатель (14), расположенный на задней части джойстика, в положение Xbox или ПК.



2. Подключите разъем RJ12 системы руля к порту RJ12, расположенному на задней панели рычага управления TCA Quadrant Airbus Edition*.
3. Подключите кабель USB-C — USB-A (8) к порту USB Type-C на рычаге управления и к порту USB Type-A (17), расположенному на задней части джойстика.
4. Подключите второй кабель USB-C — USB-A (8) к порту USB Type-C (16) на джойстике и к порту USB Type-A на консоли или ПК.



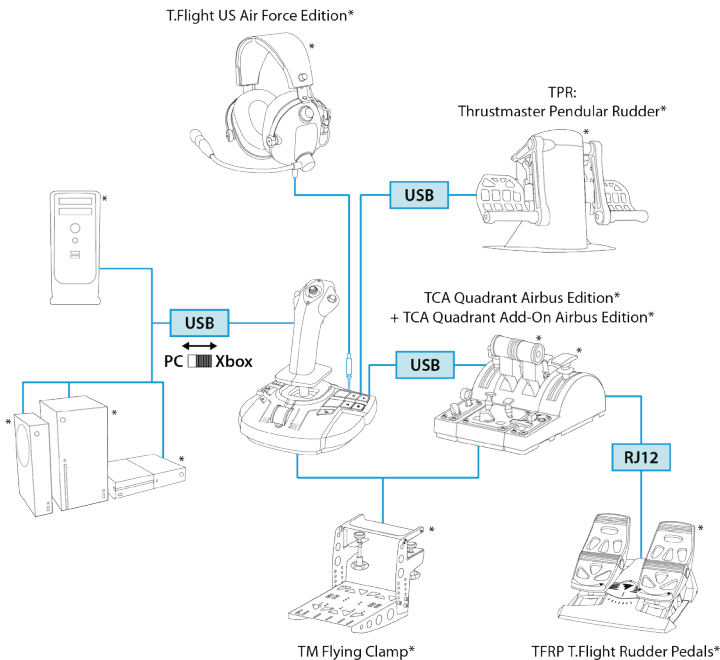
Автоматическая калибровка осей:

- При подключении системы руля направления к джойстику или рычагу управления всегда помещайте ось руля в центр. Не ставьте ноги на руль.
- Три оси педального блока автоматически калибруются после нескольких движений, а также после перемещения к физическим ограничителям для оси руля направления и двух осей дифференциального тормоза.

*продается отдельно

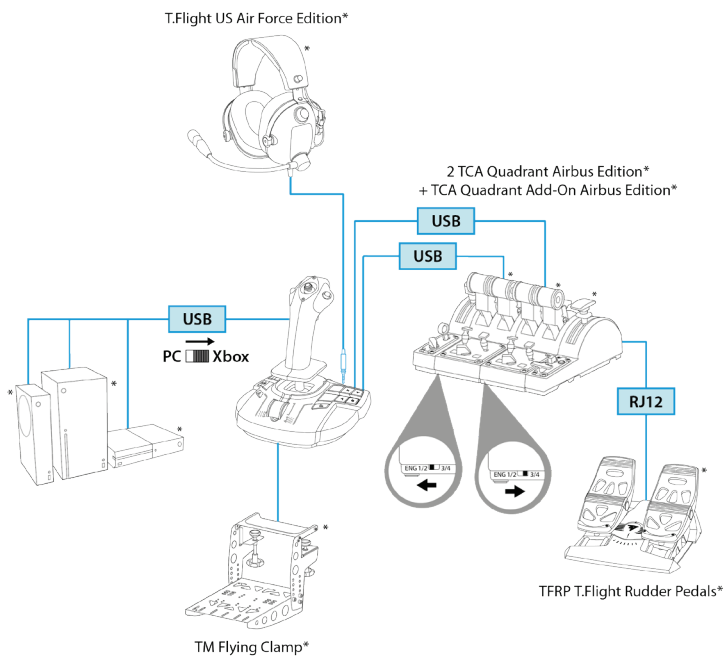
ПОДКЛЮЧЕНИЕ TCA SIDESTICK X AIRBUS EDITION КО ВСЕМ СОВМЕСТИМЫМ ПРОДУКТАМ

XBOX SERIES X|S – XBOX ONE – ПК



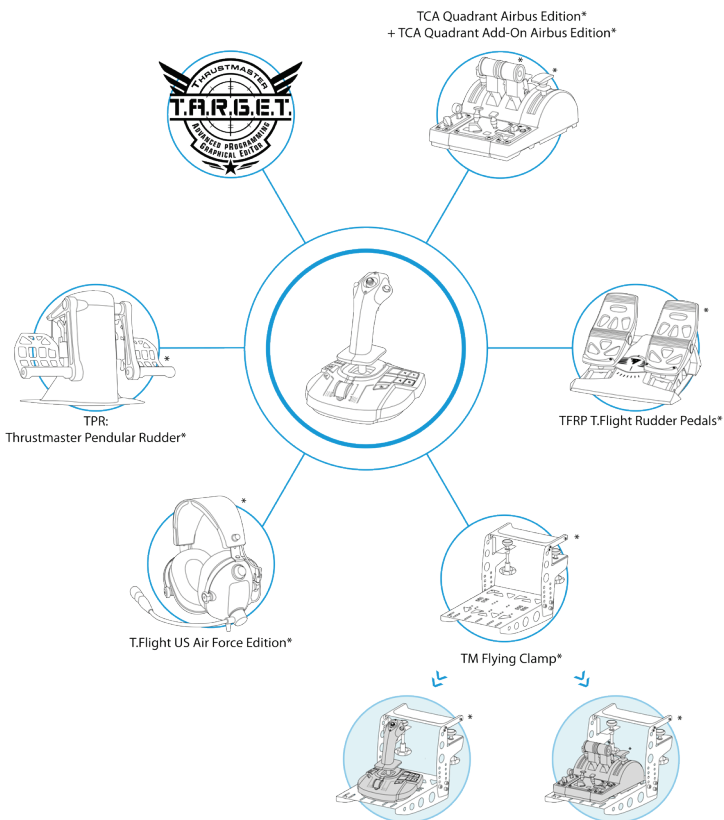
*продается отдельно

XBOX SERIES X|S – XBOX ONE



*продается отдельно

ЭКОСИСТЕМА TCA



*продается отдельно

НАЗНАЧЕНИЕ КНОПОК ДЛЯ СИСТЕМЫ РУЛЯ НАПРАВЛЕНИЯ TFRP*, ПОДКЛЮЧЕННОЙ К TCA SIDESTICK X AIRBUS EDITION ПОСРЕДСТВОМ TCA QUADRANT AIRBUS EDITION*

СХЕМА НАЗНАЧЕНИЯ КНОПОК ДЛЯ ХВОХ

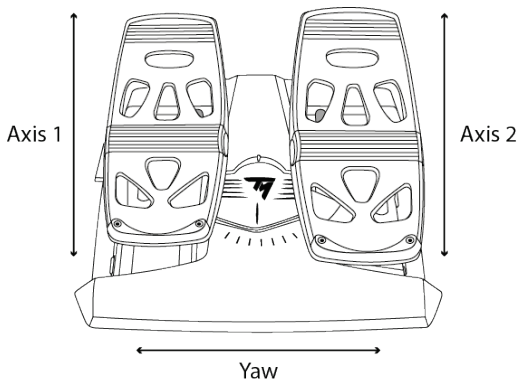
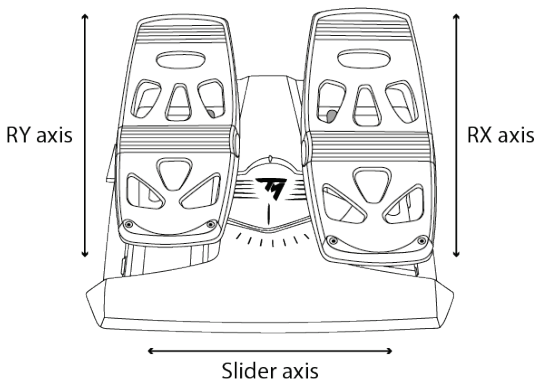


СХЕМА НАЗНАЧЕНИЯ КНОПОК НА ПК



**продается отдельно*

НАЗНАЧЕНИЕ КНОПОК ДЛЯ СИСТЕМЫ РУЛЯ НАПРАВЛЕНИЯ TPR*, ПОДКЛЮЧЕННОЙ К TCA SIDESTICK X AIRBUS EDITION

СХЕМА НАЗНАЧЕНИЯ КНОПОК ДЛЯ ХВОХ

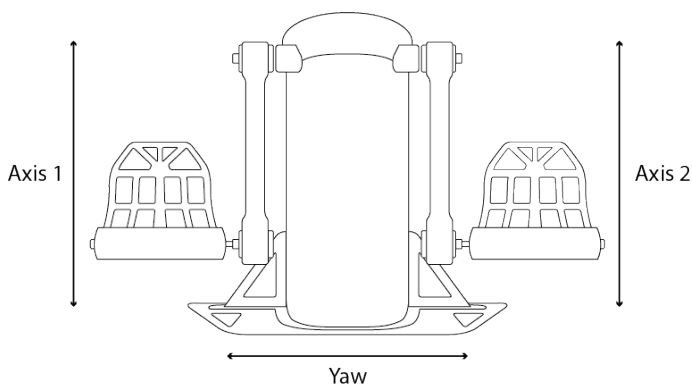
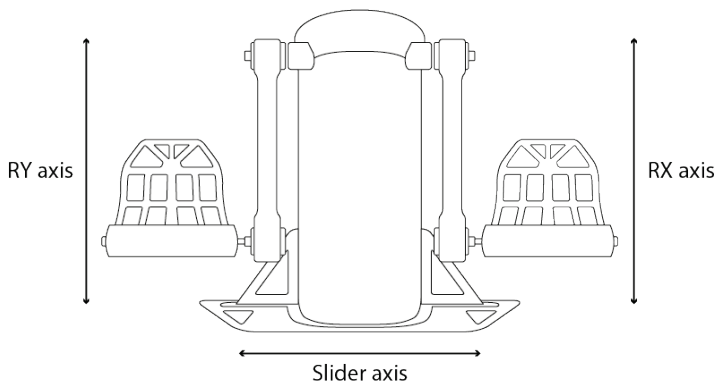


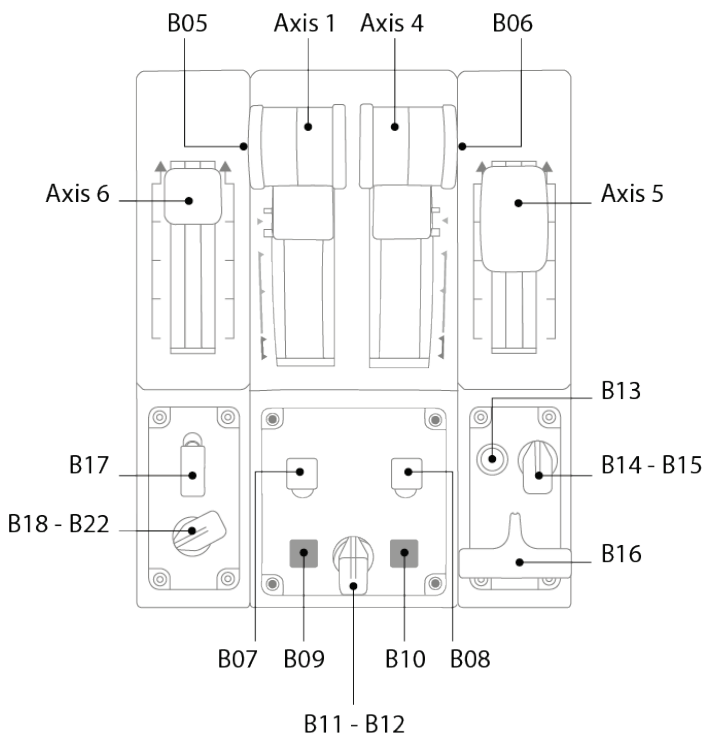
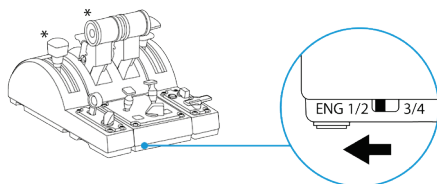
СХЕМА НАЗНАЧЕНИЯ КНОПОК НА ПК



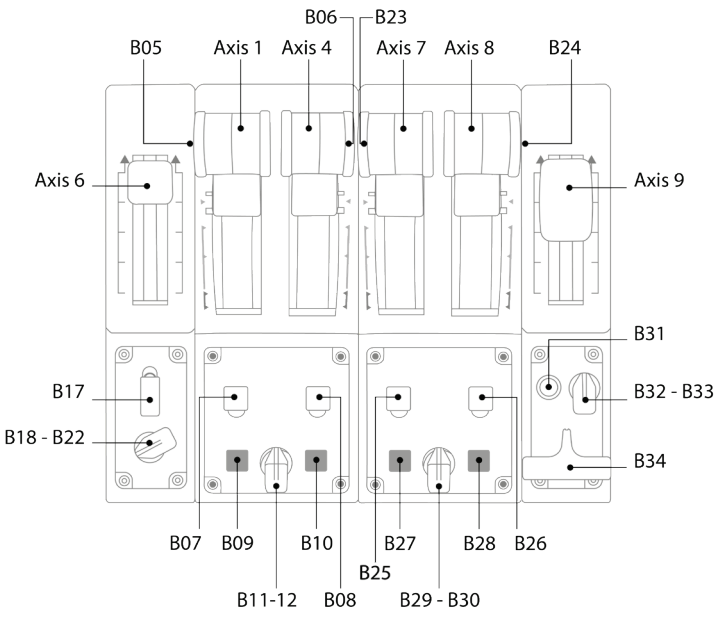
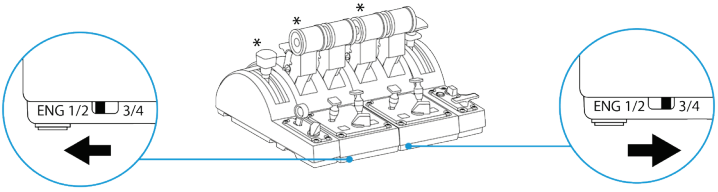
*продается отдельно

НАЗНАЧЕНИЕ КНОПОК ДЛЯ TCA QUADRANT AIRBUS EDITION* И TCA QUADRANT ADD-ON AIRBUS EDITION*, ПОДКЛЮЧЕННЫХ К TCA SIDESTICK X AIRBUS EDITION

СХЕМА НАЗНАЧЕНИЯ КНОПОК ДЛЯ ХВОХ

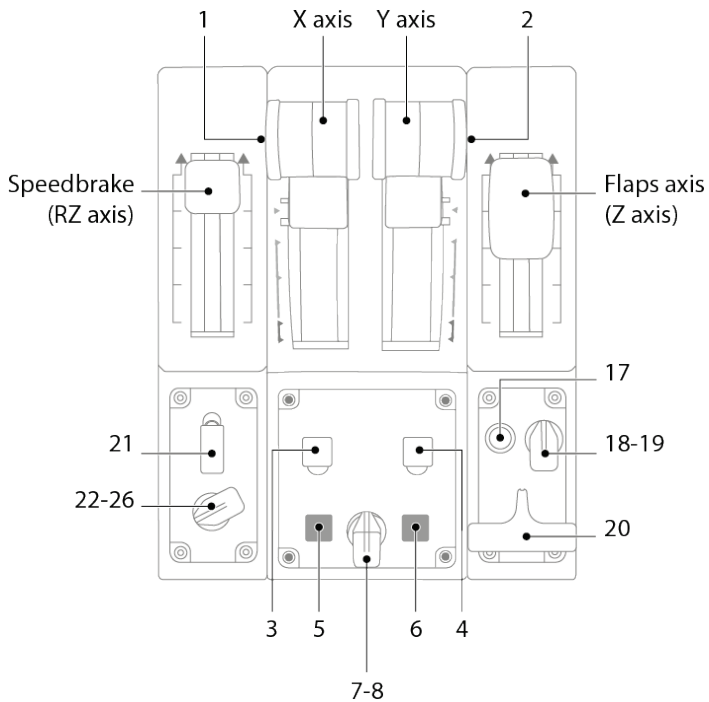
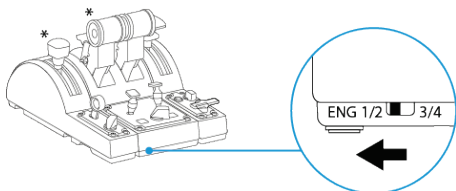


*продается отдельно



*продается отдельно

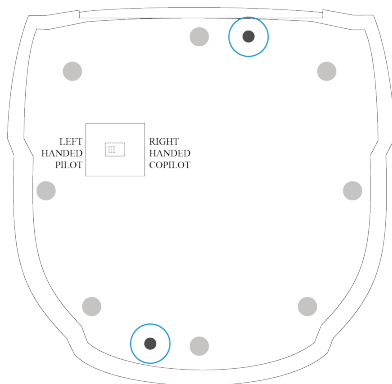
СХЕМА НАЗНАЧЕНИЯ КНОПОК НА ПК



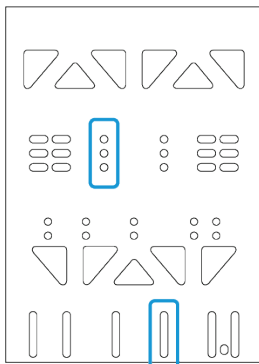
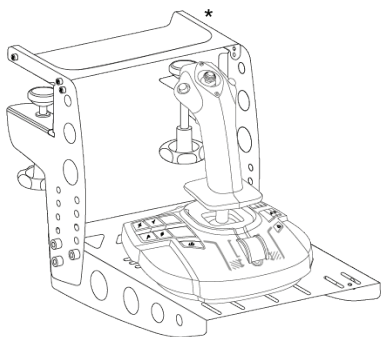
**продается отдельно*

УСТАНОВКА TCA SIDESTICK X AIRBUS EDITION НА TM FLYING CLAMP*, КОКПИТ ИЛИ ДРУГУЮ СТАЦИОНАРНУЮ ОПОРУ

Для крепления джойстика к стационарной опоре с помощью винтов М6 (не входят в комплект) можно использовать два перфорационных отверстия, расположенных на нижней стороне TCA Sidestick X Airbus Edition.



УСТАНОВКА TCA SIDESTICK X AIRBUS EDITION НА TM FLYING CLAMP*:



*продается отдельно

ОБНОВЛЕНИЕ ПРОШИВКИ TCA SIDESTICK X AIRBUS EDITION

Чтобы воспользоваться всеми преимуществами усовершенствования продукта, можно обновить встроенное программное обеспечение джойстика.

Чтобы узнать версию прошивки джойстика и при необходимости обновить ее: на ПК перейдите по ссылке <https://support.thrustmaster.com>. Нажмите **Joysticks (Джойстики) / TCA Sidestick X Airbus Edition / Firmware (Прошивка)**, затем следуйте инструкциям и процедуре загрузки и установки.



Поддерживаются только рычаг управления TCA Quadrant Airbus Edition* в сочетании с модулями TCA Quadrant Add-On Airbus Edition* и системами руля направления TPR* и TFRP*.

Теперь вы готовы к игре!

**продается отдельно*

РАСШИРЕННОЕ ПО ДЛЯ ПРОГРАММИРОВАНИЯ T.A.R.G.E.T (Thrustmaster Advanced pRogramming Graphical EdiTor)

T.A.R.G.E.T (Thrustmaster Advanced pRogramming Graphical EdiTor) — это инновационный, высокопроизводительный программный пакет, позволяющий усовершенствовать большинство контроллеров для авиасимуляторов Thrustmaster и обмениваться профилями с сообществом Thrustmaster.

СКАЧИВАНИЕ T.A.R.G.E.T

Перейдите на веб-сайт <https://support.thrustmaster.com>. Щелкните раздел **Joysticks (Джойстики)**, затем щелкните **TCA Sidestick X Airbus Edition**, после чего выберите **Software (Программное обеспечение)**. Загрузите и установите расширенное ПО для программирования T.A.R.G.E.T.

ОСНОВНЫЕ ОСОБЕННОСТИ ПРОГРАММЫ T.A.R.G.E.T:

- Различные возможные конфигурации для осей.
- Различные возможные уровни программирования: Basic (базовый), Advanced (расширенный) и Script (сценарий).
- Поддержка метода перетаскивания.
- Возможность объединения TCA Sidestick X Airbus Edition с другими джойстиками Thrustmaster (Hotas Cougar*, Hotas Warhog*, T.16000M*, MFD Cougar Pack*, также совместимыми с T.A.R.G.E.T), что позволяет распознавать их как одно USB-устройство.
- Доступ к расширенным профилям, созданным пользователями сообщества Thrustmaster.



*продается отдельно

ВАЖНЫЕ ЗАМЕЧАНИЯ

При подключении джойстика всегда держите рукоятку и руль в центре и не перемещайте их, чтобы избежать возможных проблем с калибровкой.

УСТРАНЕНИЕ НЕИСПРАВНОСТЕЙ И ПРЕДУПРЕЖДЕНИЯ

Джойстик работает неправильно или, возможно, некорректно откалиброван.

- Перед подключением USB-кабеля к консоли или ПК убедитесь, что переключатель (14) установлен в правильное положение (Xbox или ПК).
- Выключите консоль или компьютер, отсоедините джойстик, снова подсоедините его, а затем перезапустите игру.
- При подключении джойстика держите рукоятку и руль в центре и не перемещайте их, чтобы избежать возможных проблем с калибровкой.

Я не могу настроить свой джойстик.

- Перейдите в меню игры **Options (Параметры) / Controller (Контроллер) / Gamepad (Геймпад)** или **Joystick (Джойстик)** и выберите подходящую конфигурацию или заново настройте параметры контроллера.
- Для получения дополнительной информации см. руководство пользователя или онлайн-справку для своей игры.

Джойстик слишком или недостаточно чувствителен.

- TCA Sidestick X Airbus Edition автоматически калибруется после нескольких движений по различным осям.
- Перейдите в меню игры **Параметры/Контроллер/Геймпад** или **Джойстик** и настройте чувствительность и мертвые зоны для джойстика (если эти параметры доступны).

Разъем микрофона TCA Sidestick X Airbus Edition не работает должным образом.

- TCA Sidestick X Airbus Edition оснащен USB-аудиоустройством. При первом подключении USB-аудиоустройства к Windows для всех микрофонов по умолчанию устанавливается нулевая громкость.
- Чтобы решить проблему, зайдите в настройки звука Windows для разъема микрофона TCA Sidestick X Airbus Edition и установите уровень звука на 100%.

На ПК подключенные устройства не работают должным образом.

- Установите драйвер для ПК. Перейдите на веб-сайт <https://support.thrustmaster.com>. Откройте раздел **Joysticks (Джойстики)**, затем щелкните **TCA Sidestick X Airbus Edition** и выберите **Drivers (Драйверы)**. Загрузите и установите драйвер для ПК с его специальным интерфейсом для панели управления Windows.



Данное устройство предназначено для использования исключительно в игровых целях. Категорически запрещается использовать его для профессиональной подготовки пилотов.

Сведения о потребительской гарантии

Корпорация Guillemot Corporation S.A., зарегистрированная по адресу Place du Granier, B.P. 97143, 35571 Chantepie, Франция, (далее — «Guillemot») гарантирует своим клиентам во всем мире, что в данном изделии Thrustmaster не будет выявлено никаких дефектов материалов и производства в течение гарантийного периода, который равен сроку предъявления претензии по соответствию для данного изделия. В странах Европейского Союза этот срок соответствует двум (2) годам с момента поставки изделия Thrustmaster. В других странах гарантийный период равен сроку предъявления претензии по соответствию для изделия Thrustmaster, определяемому соответствующим законодательством страны, в которой проживал потребитель на момент приобретения изделия Thrustmaster (если подобные претензии не действуют в соответствующей стране, гарантийный период равняется одному (1) году с первоначальной даты приобретения изделия Thrustmaster).

В случае обнаружения дефектов изделия во время гарантийного периода незамедлительно обратитесь в службу технической поддержки, сотрудники которой определяют дальнейшую процедуру. Если дефект будет подтвержден, изделие следует вернуть по месту приобретения (или в любое другое место, указанное службой технической поддержки).

В рамках действия гарантии дефектное изделие будет, по усмотрению службы технической поддержки, заменено или возвращено в рабочее состояние. Если в течение гарантийного срока изделие Thrustmaster будет подвергнуто такому восстановлению, к оставшемуся гарантийному сроку прибавляется период времени, но не менее семи (7) дней, во время которого изделие находилось вне употребления (началом этого периода считается дата запроса покупателя о вмешательстве или дата предоставления дефектного изделия для восстановления, если изделие было предоставлено для восстановления позднее, чем был сделан запрос о вмешательстве). В мере, разрешенной применимым законодательством, полная ответственность компании Guillemot и ее дочерних компаний (в том числе косвенный ущерб) ограничивается восстановлением рабочего состояния или заменой изделия Thrustmaster. В мере, разрешенной применимым законодательством, компания Guillemot отказывается от любых гарантий коммерческой пригодности или пригодности для определенной цели.

Настоящая гарантия не распространяется: (1) на ситуации, когда изделие было видоизменено, открыто, модифицировано или получило повреждения в результате недопустимого или неправильного использования, небрежности или несчастного случая, естественного износа или любой другой причины, не связанной с дефектом материалов или производства (включая, помимо прочего, использование изделия Thrustmaster совместно с любыми неподходящими элементами, в частности — с блоками питания, аккумуляторами, зарядными устройствами и любыми другими элементами, не входящими в комплектацию Guillemot для данного изделия); (2) на случаи использования продукта в любых целях, кроме бытовых, в том числе на случаи профессионального или коммерческого применения (например, в игровых залах, для проведения обучения и соревнований); (3) на ситуации, когда указания службы технической поддержки не были выполнены; (4) на ПО, так как на такое ПО распространяется отдельная гарантия; (5) на расходные материалы (элементы, предназначенные для замены в течение срока службы изделия: например, батарейки и ушные подушки для гарнитур или наушников); (6) на аксессуары (например, кабели, чехлы, сумки, футляры, наручные ремешки); (7) на случаи продажи изделия с открытого аукциона.

Данная гарантия не подлежит передаче.

Настоящая гарантия не ущемляет прав потребителя, предоставляемых ему применимыми законами в отношении продажи потребительских товаров в соответствующей стране.

Дополнительные условия гарантии

В течение гарантийного срока компания Guillemot, в общем и целом, не предоставляет никаких запасных частей, так как вскрытие и/или модификацию любых изделий Thrustmaster вправе осуществлять только служба технической поддержки (за исключением каких-либо процедур по модификации, которые служба технической поддержки может предложить выполнить клиенту путем письменных инструкций и предоставления, при необходимости, требуемых запасных частей: например, в связи с отсутствием статуса сложности или конфиденциальности у такой восстановительной процедуры).

С учетом периода освоения новых изделий и в целях защиты своих ноу-хау и коммерческих тайн компания Guillemot, в общем и целом, не предоставляет каких-либо уведомлений о восстановлении или запасных частей для любых изделий Thrustmaster с истекшим гарантийным сроком.

Ответственность

В мере, разрешенной применимым законодательством, компания Guillemot Corporation S.A. (далее — «Guillemot») и ее дочерние предприятия отказываются от любой ответственности за любой ущерб, вызванный одним или несколькими из следующих факторов: (1) видоизменение, вскрытие или модификация изделия; (2) несоблюдение инструкций по сборке; (3) недопустимое или неправильное использование, небрежность, несчастный случай (например, физическое воздействие); (4) естественный износ; (5) использование продукта в любых целях, кроме бытовых, в том числе профессиональное или коммерческое применение (например, в игровых залах, для проведение обучения и соревнований). В мере, разрешенной применимым законодательством, компания Guillemot и ее дочерние предприятия отказываются от любой ответственности за любой ущерб, не связанный с дефектами материалов или изготовления, в отношении данного изделия (включая, помимо прочего, любой ущерб, вызванный прямо или опосредованно любым программным обеспечением или использованием изделия Thrustmaster с любыми неподходящими элементами, в частности — блоками питания, аккумуляторами, зарядными устройствами и любыми другими элементами, не входящими в комплектацию Guillemot для данного изделия).

THRUSTMASTER®

ВЕБ-САЙТ ТЕХНИЧЕСКОЙ
ПОДДЕРЖКИ

<https://support.thrustmaster.com>



АВТОРСКИЕ ПРАВА

© Guillemot Corporation S.A., 2022. Все права защищены. Thrustmaster® является зарегистрированным товарным знаком корпорации Guillemot Corporation S.A. Выпускается и распространяется корпорацией Guillemot Corporation S.A.

AIRBUS, логотип, а также знаки продукции и обслуживания являются зарегистрированными товарными знаками корпорации Airbus. Все права защищены. © Airbus 2022. Все права защищены. Продукт, официально лицензированный корпорацией Airbus.

Microsoft, Xbox, дизайн «сферы» Xbox, Xbox Series X|S, Xbox One и Windows 10/11 являются товарными знаками группы компаний Microsoft.

Все прочие товарные знаки и названия брендов подтверждаются настоящим документом и являются собственностью их соответствующих владельцев. Содержимое, дизайн и технические характеристики могут меняться без предварительного уведомления и отличаться в зависимости от страны. Фотографии и иллюстрации могут не соответствовать внешнему виду или функциям конкретного изделия. Разработан в Северной Америке и Европе. Изготовлен в Китае.

При использовании изделия учитывайте следующее: цвета и дизайн могут различаться. Пластиковые стяжки и клейкую ленту следует снять перед использованием изделия.

www.thrustmaster.com

EAC

EN

FR

DE

NL

IT

ES

PT

RU

CS

TR

PL

日本語

繁體中文

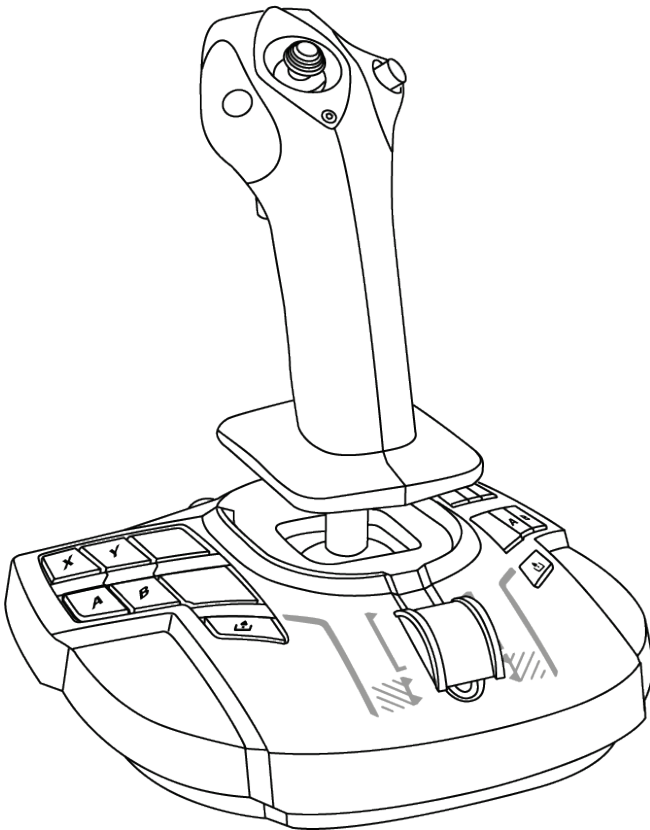
한국어

العربية

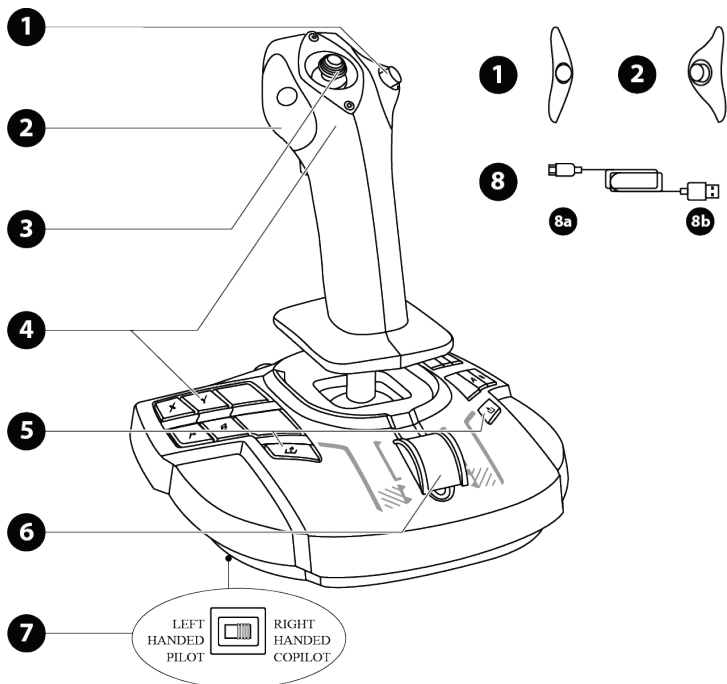
TCA SIDESTICK X AIRBUS EDITION

XBOX SERIES X|S – XBOX ONE – PC

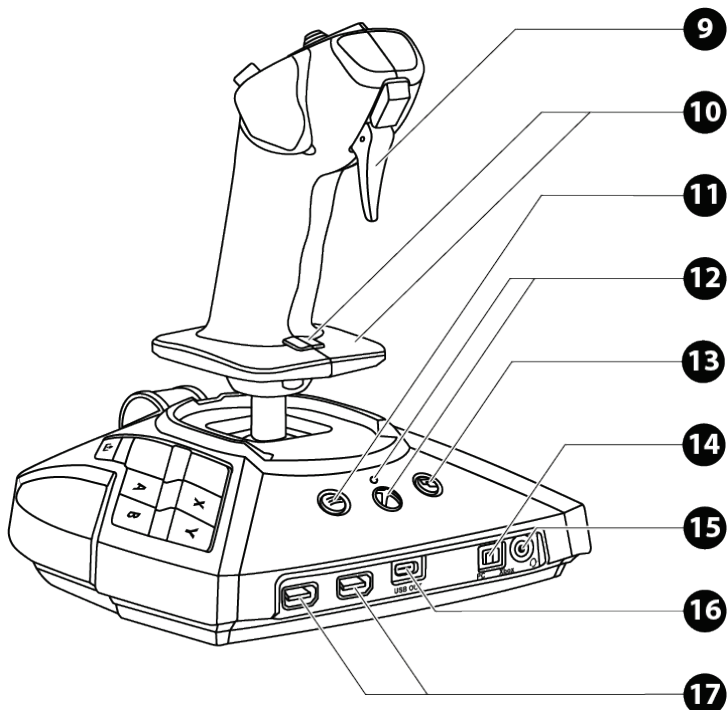
Uživatelský manuál



TECHNICKÉ VLASTNOSTI



1. Moduly s pravým tlačítkem
2. Moduly s levým tlačítkem
3. Vícesměrný kloboukový přepínač "Point of View" (Úhel pohledu)
4. 21 akčních tlačítek na Xbox, 22 akčních tlačítek na PC
5. Tlačítka Share (Xbox)
6. Páka plynu + jedno virtuální tlačítko (jen na PC)
7. Přepínač volby: LEFT HANDED — PILOT (levá ruka — pilot) / RIGHT HANDED — COPILOT (pravá ruka — kopilot)
8. Kabel USB-C (8a) — USB-A (8b)



9. Digitální spoušť
10. Ovládání kormidla pomocí otočné rukojeti s opěrkou ruky + tlačítko zámku
11. Tlačítko menu (Xbox)
12. Xbox tlačítko + LED
13. Tlačítko Zobrazit (Xbox)
14. Xbox / PC přepínač
15. 3.5 mm konektor mini-jack pro mikrofon herní náhlavní soupravy*
16. USB port C
17. USB porty A pro TCA Quadrant Airbus Edition* nebo kormidlo TPR*

*prodává se samostatně

SEZNÁMENÍ S JOYSTICKEM

EXKLUZIVNÍ PŘESNÁ TECHNOLOGIE

H.E.A.R.T: Halleffect AccuRate Technology

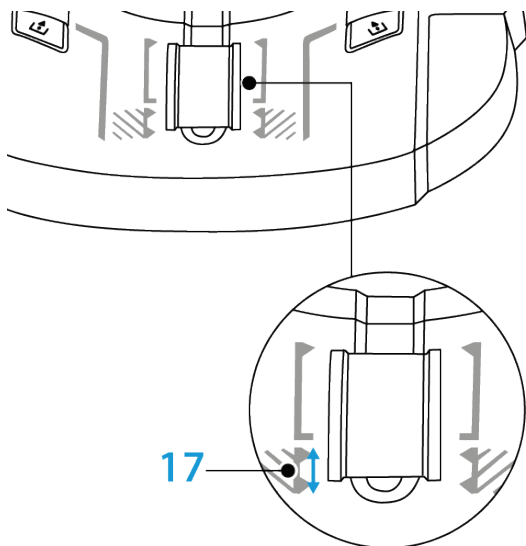
Váš joystick TCA Sidestick X Airbus Edition je vybaven vysoce přesnou technologií s:

- 3D (Hall efekt) magnetické senzory na páce;
- magnet: žádné tření, neomezená přesnost a neuvěřitelná odezva, která vydrží;
- vinutá pružina na páce (2,8 mm): pro pevné, lineární a velmi plynulé napnutí.

PÁKA PLYNU

Váš joystick je vybaven pákou plynu (6), kterou můžete snadno ovládat tah motoru letadla.

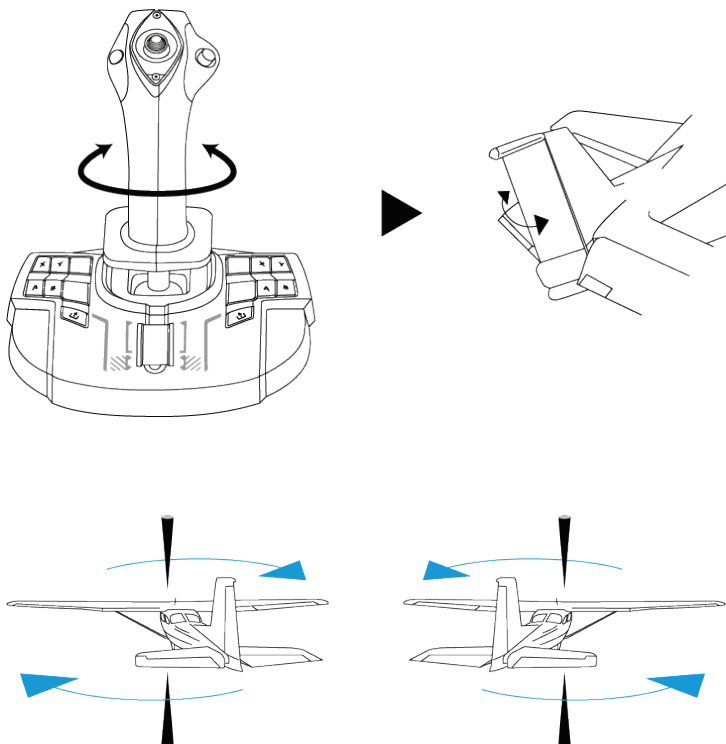
Virtuální tlačítko dostupné pouze na PC (číslo 17 v mapování PC) je aktivováno na prvních 20 procentech dráhy plynu, aby bylo možné aktivovat obraceče tahu.



FUNKCE KORMIDLA

Váš joystick je vybaven funkcí kormidla (10). V letadle pilot manipuluje s kormidlem a otáčí tak letadlo kolem svislé osy (letadlo se otáčí doleva nebo doprava).

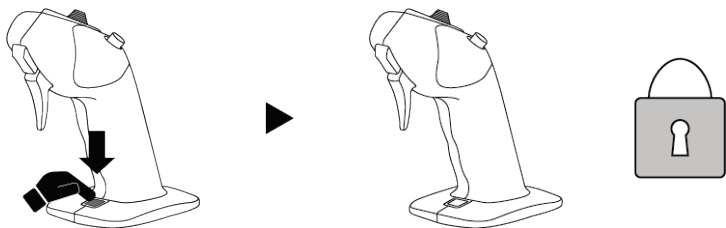
Tato funkce kormidla je dostupná na joysticku otáčením (tj. kroucením) páky doleva nebo doprava.



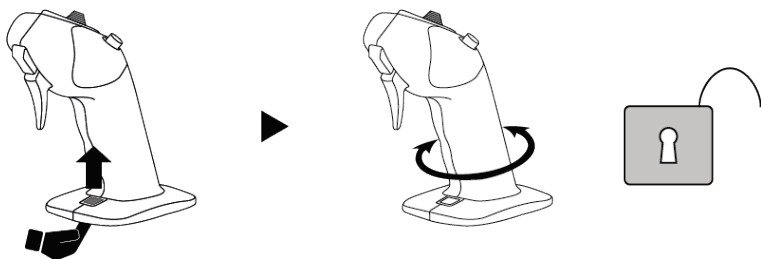
BLOKOVÁNÍ/ODBLOKOVÁNÍ FUNKCE KORMIDLA

Funkci kormidla lze vypnout pomocí tlačítka zámku na zadní straně rukojeti joysticku.

Stisknutím tohoto tlačítka uzamknete osu kormidla.



Tlačítko vraťte do horní polohy, abyste odblokovali osu kormidla.



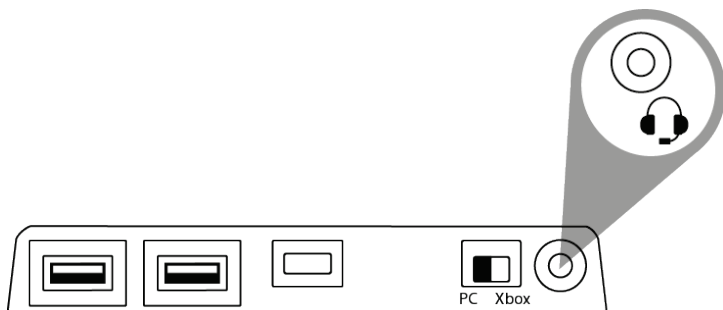
VÍCESMĚRNÝ KLOBOUKOVÝ PŘEPÍNAČ "POINT OF VIEW"

Váš joystick je vybaven kloboukovým přepínačem "Point of View" (**3**), který vám umožňuje okamžitě zobrazit vše, co se děje kolem vašeho letadla (ve hrách, kde je tato funkce povolena). Chcete-li tuto funkci používat, jednoduše přejděte do nabídky nastavení hry a naprogramujte různé pohledy (pohled zezadu, pohled vlevo, pohled vpravo, vnější pohledy) na směry kloboukového přepínače "Point of View".

Pokud chcete, můžete si přepínač "Point of View" vyhradit i pro jiné účely (střelba atd.).

KONEKTOR MIKROFONU PRO HERNÍ NÁHLAVNÍ SOUPRAVU

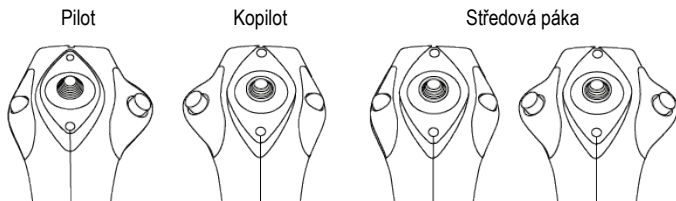
Váš joystick je vybaven konektorem pro mikrofon 3,5 mm mini-jack (**15**), který umožňuje použití herní náhlavní soupravy se zabudovaným mikrofonem pro větší zážitek.



OBOUSTRANNÝ SYSTÉM A NASTAVENÍ MODULŮ

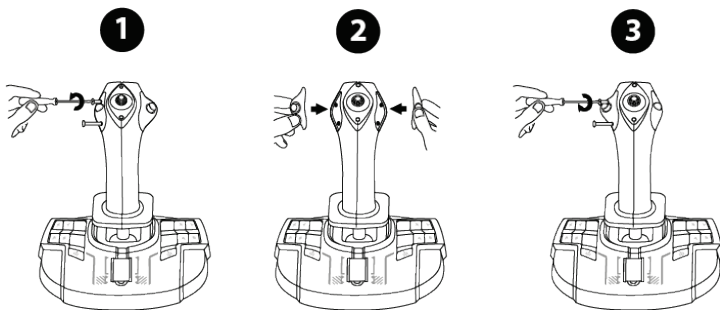
Výhodou joysticku TCA Sidestick X Airbus Edition je jeho oboustranná použitelnost, takže se dokonale přizpůsobí všem hráčům, ať už jsou praváci nebo leváci.

Ve výchozím nastavení je joystick nakonfigurován v pilotním režimu. Jsou možné čtyři konfigurace:



Chcete-li upravit konfiguraci joysticku:

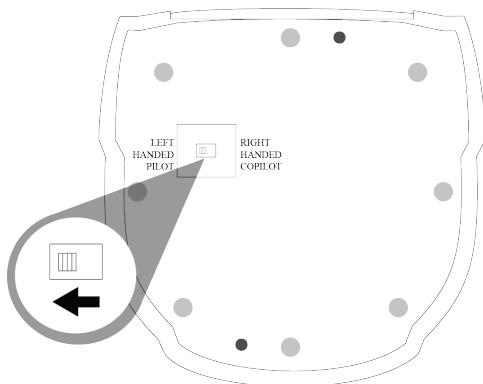
1. Pomocí malého šroubováku opatrně vyšroubujte a odstraňte dva šrouby pro každý tlačítkový modul.
2. Upravte moduly podle preferované konfigurace.
3. Vraťte šrouby zpět a zcela je utáhněte.



KONFIGURACE KNIPLU V LEVOSTRANNÉM REŽIMU (PILOT)

Chcete-li joystick identifikovat jako režim LEVÁ RUKA (PILOT), nastavte před připojením joysticku přepínač (7) umístěný pod základnou joysticku do polohy LEFT HANDED — PILOT.

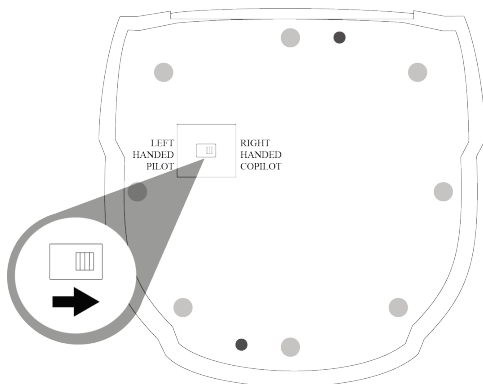
Váš výrobek pak bude rozpoznán jako TCA Sidestick X Pilot.



KONFIGURACE ŘÍDICÍ PÁKY V PRAVOSTRANNÉM REŽIMU (KOPILOT)

Chcete-li joystick identifikovat jako PRAVÁ RUKA (KOPILOT), nastavte před připojením joysticku přepínač (7) umístěný pod základnou joysticku do polohy RIGHT HANDED - COPILOT.

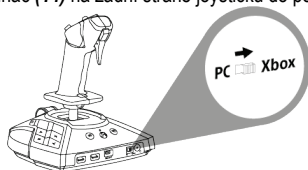
Váš výrobek pak bude rozpoznán jako TCA Sidestick X Copilot.



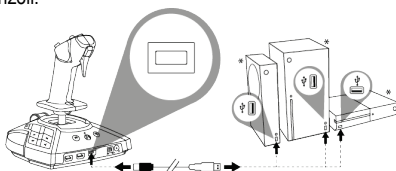
XBOX SERIES X|S / XBOX ONE

INSTALACE NA XBOX SERIES X|S* / XBOX ONE*

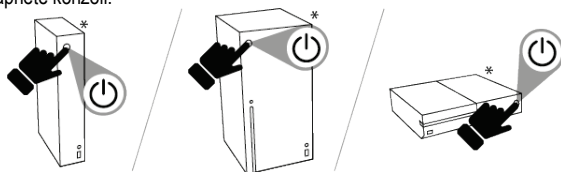
1. Nastavte přepínač **(14)** na zadní straně joysticku do polohy Xbox.



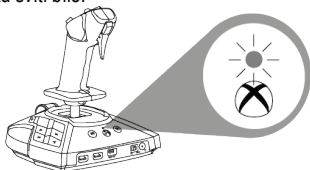
2. Připojte kabel USB-C - USB-A **(8)** k portu USB typu C **(16)** na joysticku a k portu USB typu A na konzoli.



3. Zapněte konzoli.



4. LED dioda joysticku svítí bíle.



5. Spusťte kompatibilní hru podporující režim Flight Stick.

Nyní jste připraveni hrát!

**prodává se samostatně*

SEZNAM KOMPATIBILNÍCH XBOX SERIES X|S / XBOX ONE HER

Na Xbox Series X|S* / Xbox One*, TCA Sidestick X Airbus Edition:

- je kompatibilní pouze s hrami podporujícími režim Flight Stick.
- je ve hrách rozpoznáván jako joystick, a ne jako gamepad, aby byla zajištěna maximální odezva a přesnost a aby bylo možné přistupovat k možnostem joysticku dostupným v těchto hrách.

Seznam Xbox Series X|S / Xbox One her kompatibilních s joystickem je dostupný na <https://support.thrustmaster.com> v sekci **Joysticks (Joysticky) / TCA Sidestick X Airbus Edition**.

Tento seznam bude pravidelně doplňován s příchodem nových her pro Xbox Series X|S / Xbox One, které jsou kompatibilní s TCA Sidestick X Airbus Edition.

**prodává se samostatně*

EN

FR

DE

NL

IT

ES

PT

RU

CS

TR

PL

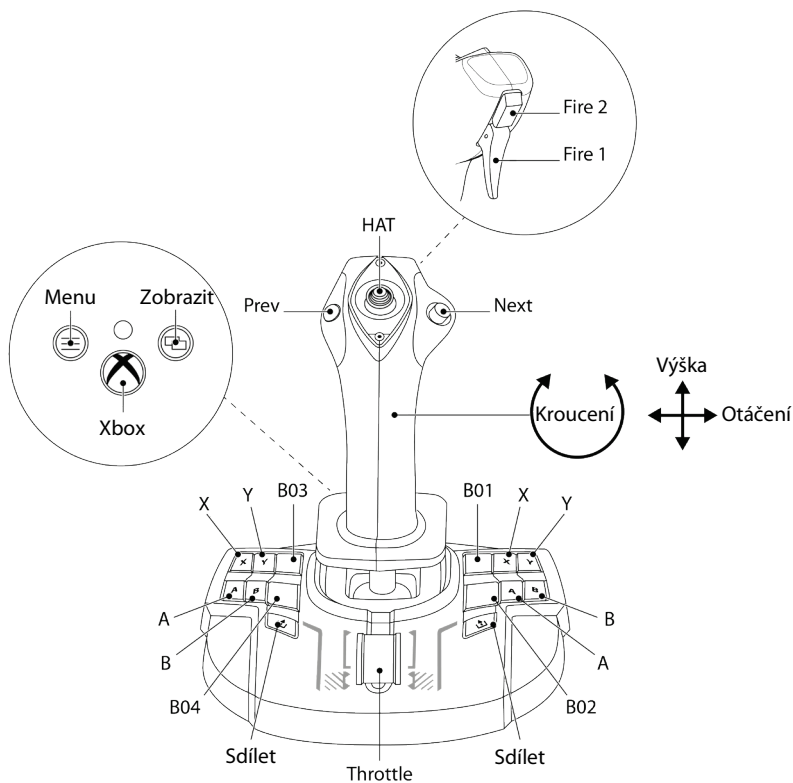
日本語

繁體中文

한국어

العربية

MAPOVÁNÍ PRO XBOX



TCA SIDESTICK X AIRBUS EDITION KONEKTIVITA NA XBOX SERIES X|S* / XBOX ONE*

TCA Sidestick X Airbus Edition má čtyři osy, ale umožňuje přímé připojení systému plynu TCA Quadrant Airbus Edition*, modulů TCA Quadrant Add-On Airbus Edition* a systému kormidel TPR* na zadní straně joysticku.

Pouze u konzolí Xbox Series X|S* / Xbox One* lze k TCA Quadrant Airbus Edition* připojit druhý systém plynu, který umožňuje joysticku ovládat až devět dalších os.

Na konzolích Xbox Series X|S* / Xbox One* budou kompatibilní zařízení Thrustmaster připojená přes port USB typu A sloučená s TCA Sidestick X Airbus Edition.



Jediná zařízení podporovaná na konzolích Xbox Series X|S* / Xbox One* jsou TCA Quadrant Airbus Edition*, TCA Quadrant Add-On Airbus Edition* a kormidelní systémy TPR* a TFRP*.

**prodává se samostatně*

EN

FR

DE

NL

IT

ES

PT

RU

CS

TR

PL

日本語

繁體中文

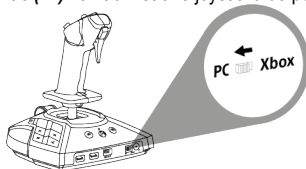
한국어

العربية

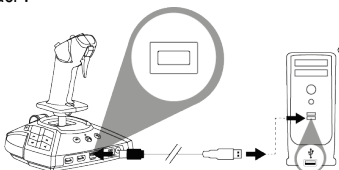
PC

INSTALACE NA PC*

1. Přejděte na <https://support.thrustmaster.com>. Zvolte **Joysticks (Joysticky) / TCA Sidestick X Airbus Edition**, a poté zvolte **Drivers (Ovladače)**. Stáhněte si a nainstalujte ovladač počítače a jeho přizpůsobené rozhraní pro ovládací panel systému Windows.
2. Nastavte přepínač **(14)** na zadní straně joysticku do polohy PC.



3. Připojte kabel USB-C - USB-A **(8)** k portu USB typu C **(16)** na joysticku a k portu USB typu A na počítači*.



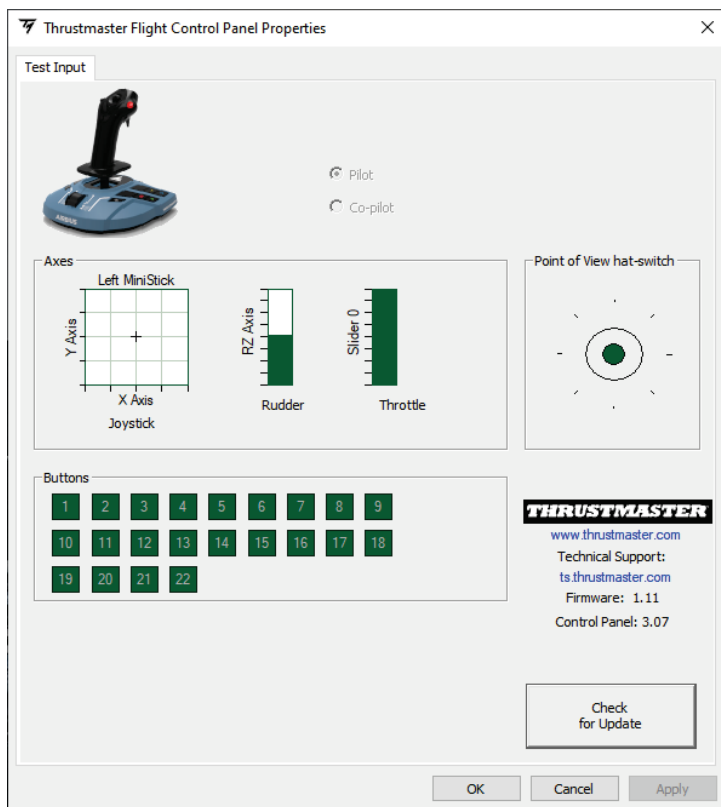
4. Spusťte kompatibilní hru podporující letové periferie HID.

Nyní jste připraveni hrát!

**prodává se samostatně*

PŘÍZPŮSOBENÉ ROZHRAŇÍ

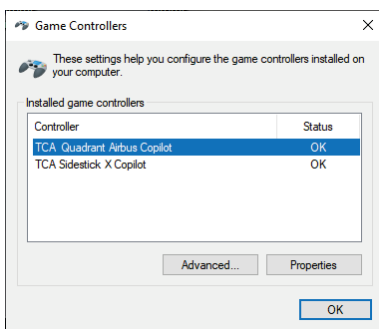
1. Pro přístup k přizpůsobenému rozhraní Ovládacích panelů vyberte **Start / Apps (Aplikace) / Thrustmaster / Control Panel (Ovládací panely)** (v systému Windows® 10/11).
Zobrazí se dialogové okno **Game Controllers (Herní ovladače)**. Zařízení se na obrazovce zobrazí s názvem **TCA Sidestick X** a stavem **OK**.
2. V dialogovém okně **Game Controllers (Herní ovladače)** klikněte na tlačítko **Properties (Vlastnosti)** a otestujte a zobrazte všechny funkce.



TCA SIDESTICK X AIRBUS EDITION KONEKTIVITA NA PC*

TCA Sidestick X Airbus Edition má čtyři osy, ale umožňuje přímé připojení systému plynu TCA Quadrant Airbus Edition*, modulů TCA Quadrant Add-On Airbus Edition* a systému kormidel TPR* na zadní straně joysticku.

Pokud jsou připojeny TCA Quadrant Airbus Edition* a kormidelní systém TPR* nebo kormidelní systém TFRP*, zobrazují se nezávisle na sobě v dialogovém okně **Game Controllers (Herní ovladače)** jako virtuální zařízení.

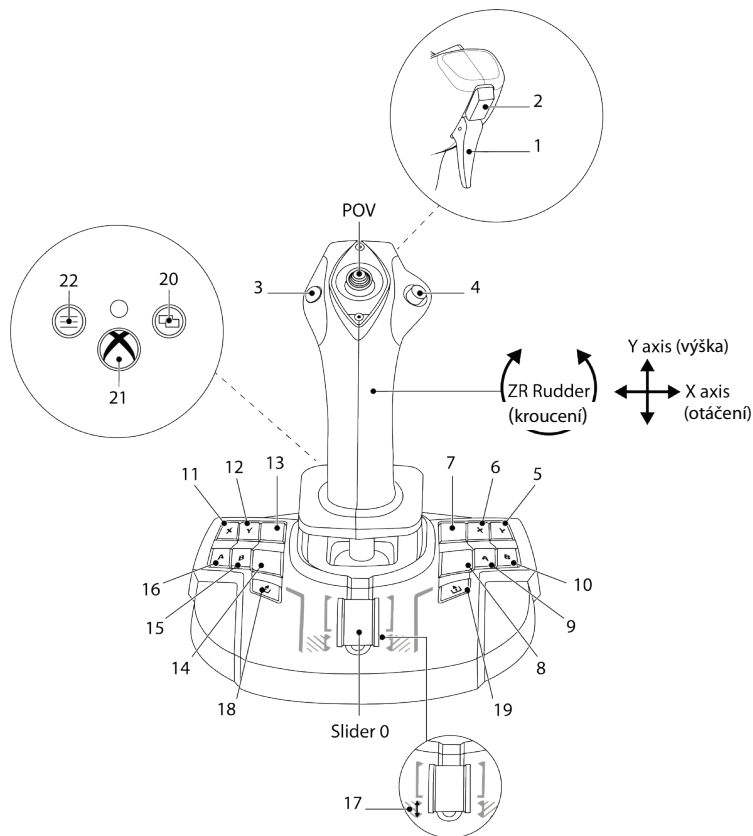


Připojení kormidelního systému TPR* nebo TFRP*:

- Aby zařízení správně fungovala, musí být nainstalován ovladač.
- Pokud je systém kormidel připojen k joysticku nebo k systému plynu připojenému k joysticku, jsou tři osy systému kormidel sloučeny s virtuálním kvadrantem (TCA Quadrant Airbus Copilot).

**prodává se samostatně*

MAPOVÁNÍ PRO PC

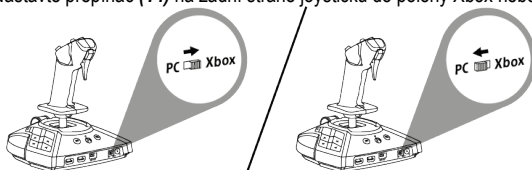


INSTALACE TCA SIDESTICK X AIRBUS EDITION V KOMBINACI S TCA QUADRANT AIRBUS EDITION* A SYSTÉMY KORMIDEL TPR* A TFRP*

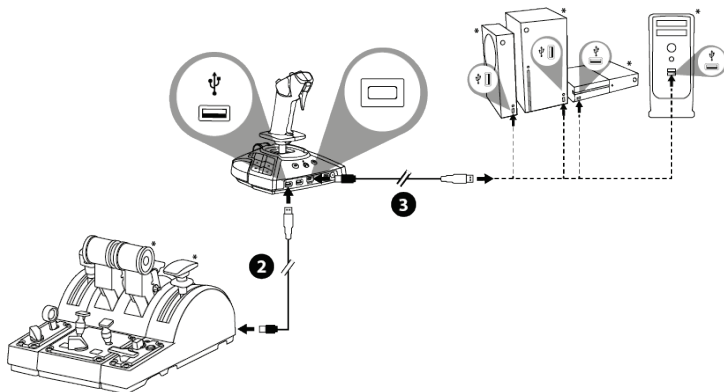
PLYN A PŘÍDAVNÉ MODULY

TCA Quadrant Airbus Edition* spojený s moduly TCA Quadrant Add-On Airbus Edition* se připojuje k joysticku.

1. Nastavte přepínač **(14)** na zadní straně joysticku do polohy Xbox nebo PC.



2. Připojte kabel USB-C - USB-A **(8)** k portu USB typu C na plynu a k portu USB typu A **(17)** na zadní straně joysticku.
3. Připojte druhý kabel USB-C - USB-A **(8)** k portu USB typu C **(16)** na joysticku a k portu USB typu A na konzoli nebo počítači.



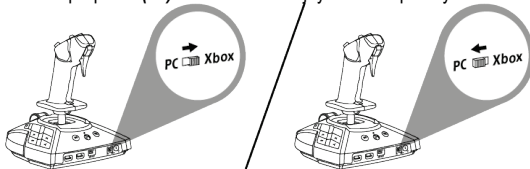
*prodává se samostatně

KORMIDELNÍ SYSTÉM

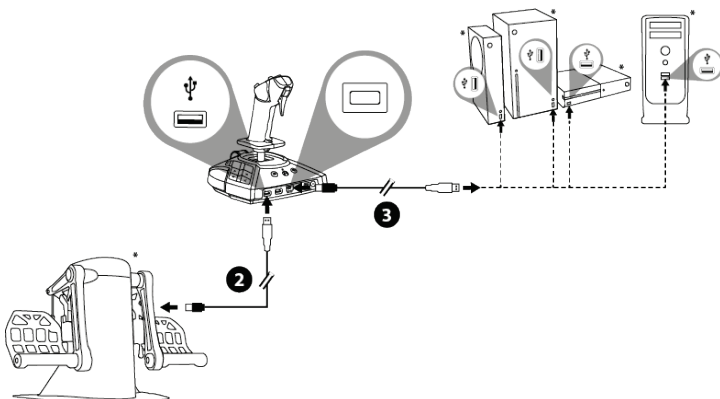
Tři osy jsou vyhrazeny pro kormidelní systémy TPR* a TFRP*.

Kormidelní systém **TPR*** se připojuje k joysticku.

1. Nastavte přepínač **(14)** na zadní straně joysticku do polohy Xbox nebo PC.



2. Připojte kabel USB-A - USB-B kormidla k portu USB typu B na kormidlu a k portu USB typu A **(17)** na zadní straně joysticku.
3. Připojte kabel USB-C - USB-A **(8)** k portu USB typu C **(16)** na joysticku a k portu USB typu A na konzoli nebo počítači.

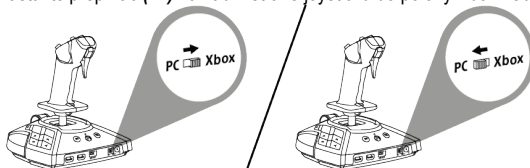


Na konzolích Xbox Series X|S* / Xbox One*, není možné připojit kormidelní systém TPR*, pokud jsou k TCA Sidestick X Airbus Edition již připojeny dva systémy plynu TCA Quadrant Airbus Edition*.

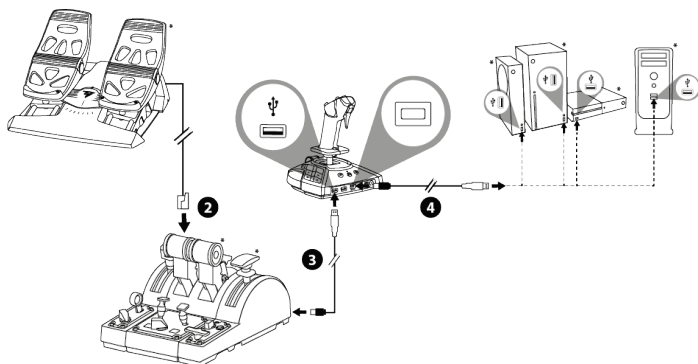
*prodává se samostatně

Kormidelní systém TFRP* se při použití TCA Quadrant Airbus Edition* připojuje k plynovému systému.

1. Nastavte přepínač (14) na zadní straně joysticku do polohy Xbox nebo PC.



2. Připojte konektor RJ12 kormidelního systému k portu RJ12 umístěnému na zadní straně plynového systému TCA Quadrant Airbus Edition*.
3. Připojte kabel USB-C - USB-A (8) k portu USB typu C na plynovém systému a k portu USB typu A (17) na zadní straně joysticku.
4. Připojte druhý kabel USB-C - USB-A (8) k portu USB typu C (16) na joysticku a k portu USB typu A na konzoli nebo počítači..



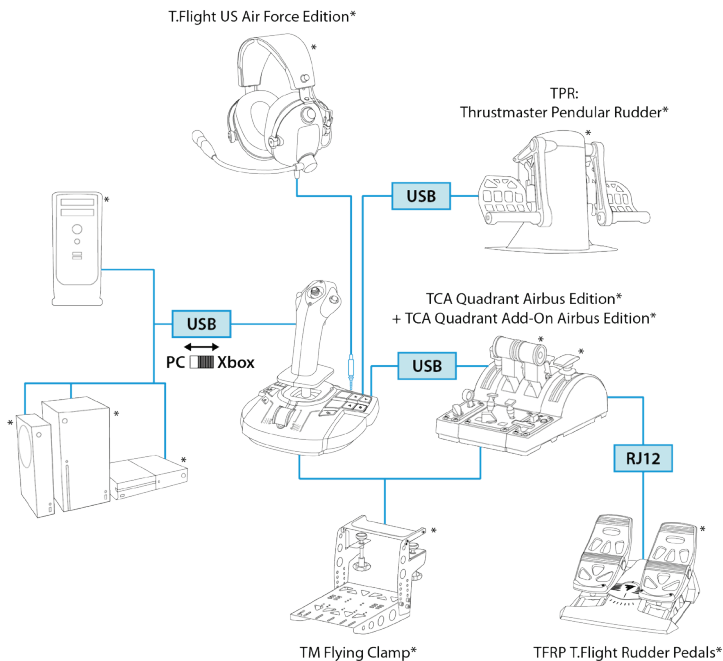
Automatická kalibrace os:

- Při připojování kormidelního systému k joysticku nebo plynovému systému nechte osu kormidla vždy ve středu. Nepokládejte nohy na kormidlo.
- Tři osy pedálů se automaticky zkalibrují po několika pohybech a po dosažení fyzických dorazů pro osu kormidla a dvě osy diferenciální brzdy.

*prodává se samostatně

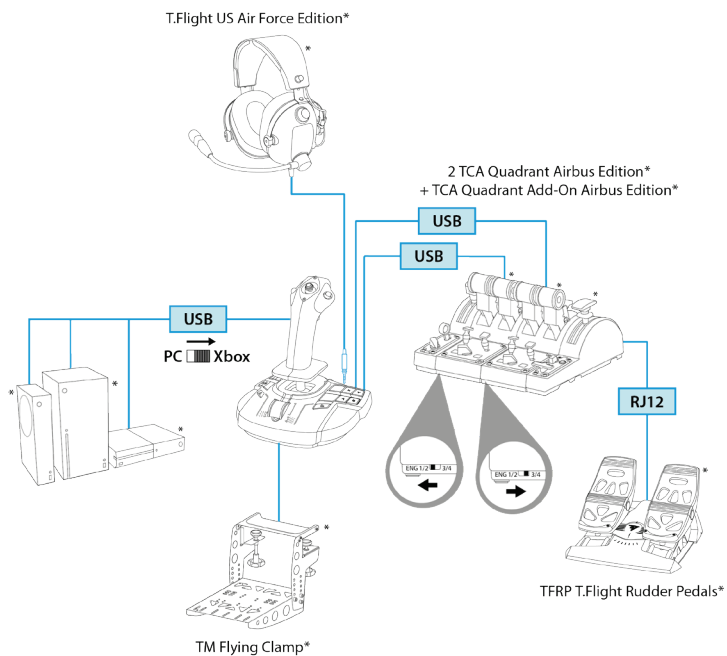
PŘIPOJENÍ TCA SIDESTICK X AIRBUS EDITION SE VŠEMI KOMPATIBILNÍMI VÝROBKY

XBOX SERIES X|S – XBOX ONE – PC



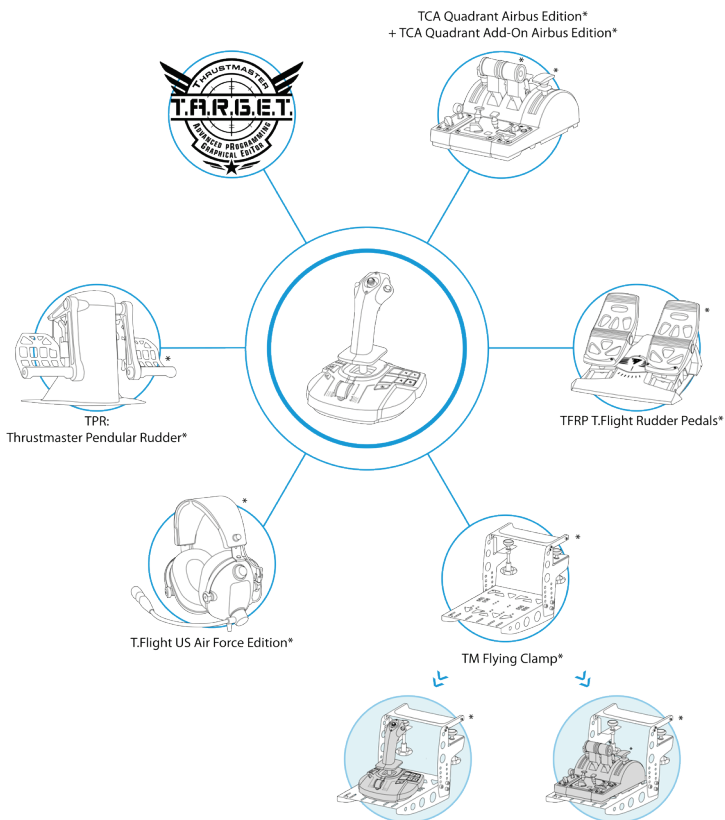
*prodává se samostatně

XBOX SERIES X|S – XBOX ONE



*prodává se samostatně

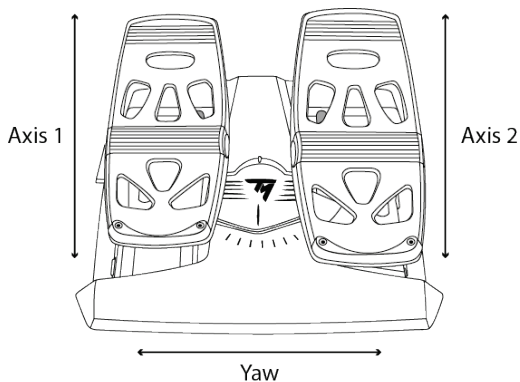
TCA EKOSYSTÉM



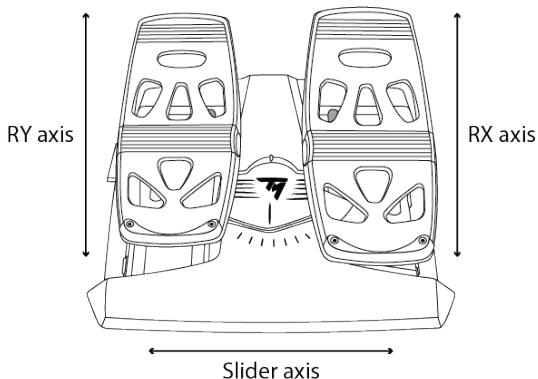
*prodává se samostatně

MAPOVÁNÍ PRO KORMIDELNÍ SYSTÉM TFRP* PŘIPOJENÝ K TCA SIDESTICK X AIRBUS EDITION SKRZE TCA QUADRANT AIRBUS EDITION*

XBOX MAPOVÁNÍ



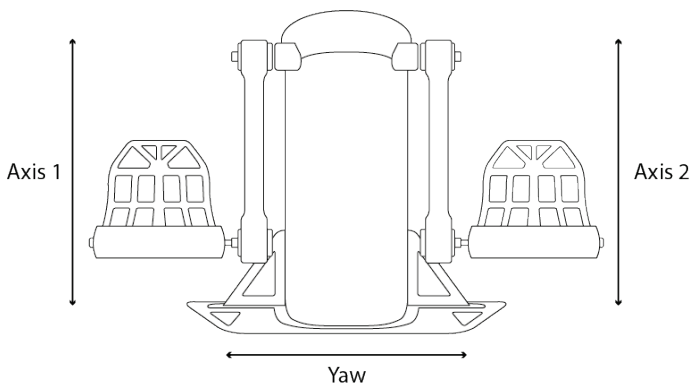
PC MAPOVÁNÍ



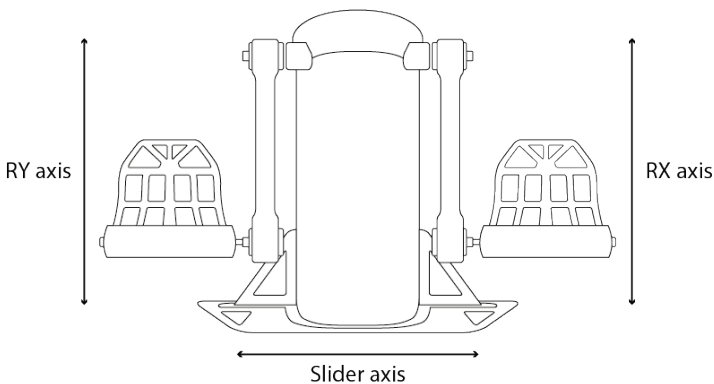
*prodává se samostatně

MAPOVÁNÍ PRO KORMIDELNÍ SYSTÉM TPR* PŘIPOJENÝ K TCA SIDESTICK X AIRBUS EDITION

XBOX MAPOVÁNÍ



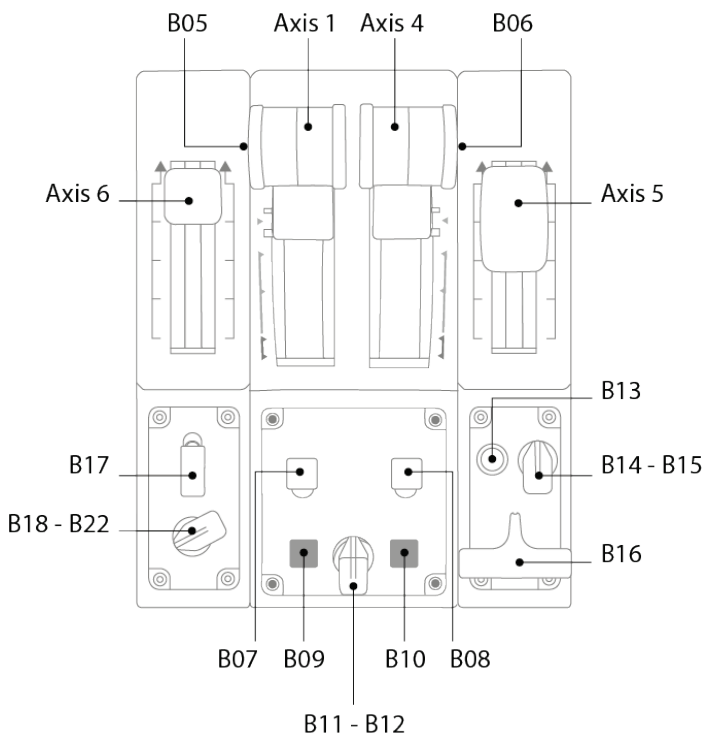
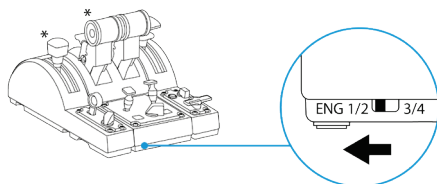
PC MAPOVÁNÍ



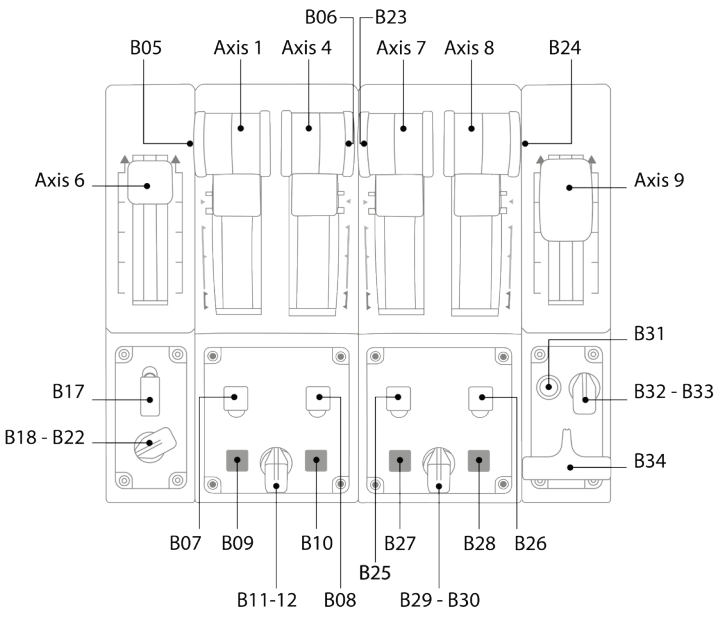
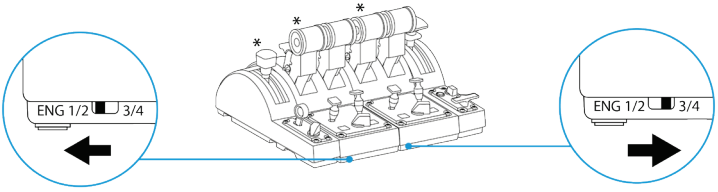
*prodává se samostatně

MAPOVÁNÍ PRO TCA QUADRANT AIRBUS EDITION* A TCA QUADRANT ADD-ON AIRBUS EDITION* PŘIPOJENÝM K TCA SIDESTICK X AIRBUS EDITION

XBOX MAPOVÁNÍ

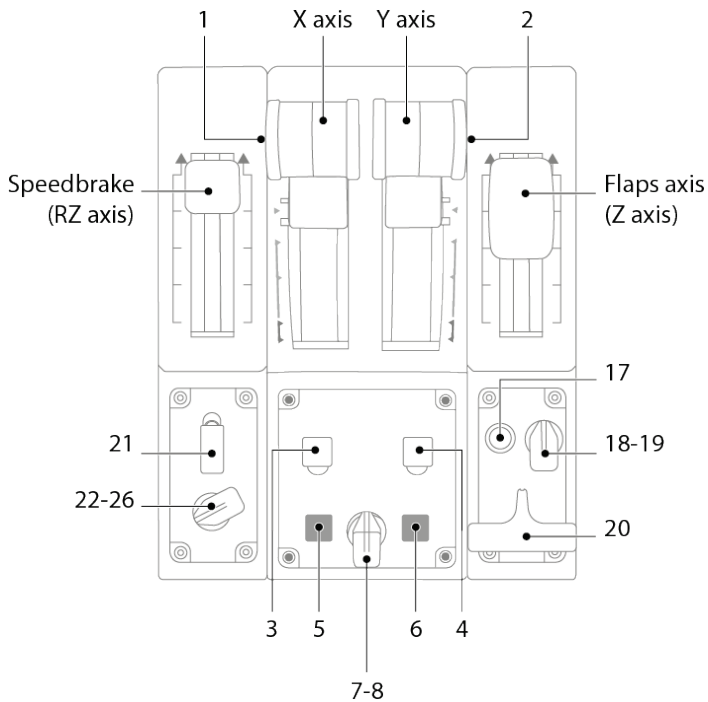
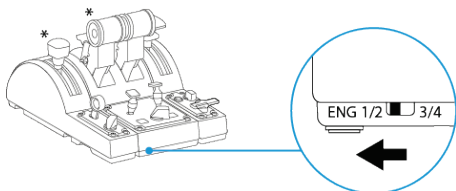


*prodává se samostatně



*prodává se samostatně

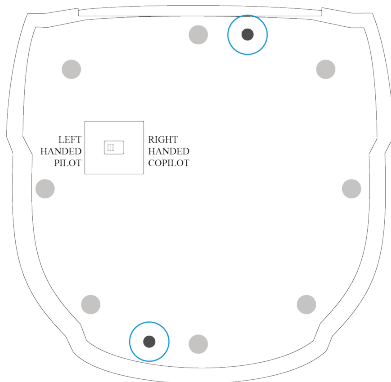
PC MAPOVÁNÍ



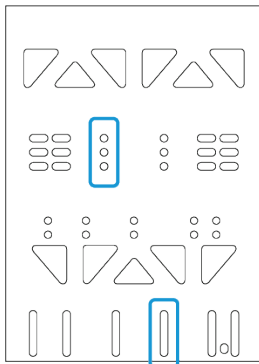
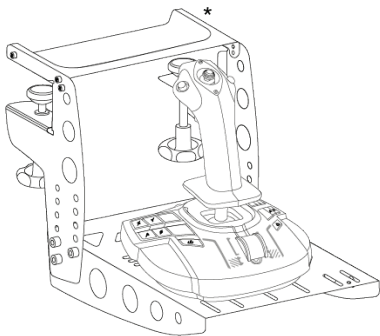
*prodává se samostatně

INSTALACE TCA SIDESTICK X AIRBUS EDITION K TM FLYING CLAMP*, KOKPITU NEBO JINÉ STACIONÁRNÍ PODPĚŘE

Pomocí dvou perforací umístěných na spodní straně TCA Sidestick X Airbus Edition můžete joystick připevnit ke stacionární podpěře pomocí šroubů M6 (nejsou součástí balení).



INSTALACE TCA SIDESTICK X AIRBUS EDITION K TM FLYING CLAMP*:



*prodává se samostatně

AKTUALIZACE FIRMWAREU TCA SIDESTICK X AIRBUS EDITION

Firmware obsažený v joysticku lze aktualizovat, aby bylo možné využít vylepšení výrobku.

Chcete-li zobrazit verzi firmwaru joysticku a v případě potřeby ji aktualizovat: v počítači přejděte na stránku <https://support.thrustmaster.com>. Zvolte **Joysticks (Joysticky) / TCA Sidestick X Airbus Edition / Firmware**, pak postupujte podle pokynů a postupu stahování a instalace.



Podporovány jsou pouze plynový systém TCA Quadrant Airbus Edition* v kombinaci s přídatnými moduly TCA Quadrant Add-On Airbus Edition* a kormidelními systémy TPR* a TFRP*.

Nyní jste připraveni hrát!

**prodává se samostatně*

POKROČILÝ PROGRAMOVACÍ SOFTWARE T.A.R.G.E.T (Thrustmaster Advanced pRogramming Graphical EdiTor)

T.A.R.G.E.T (Thrustmaster Advanced pRogramming Graphical EdiTor) je inovativní, vysoce výkonný softwarový balíček umožňující vylepšení většiny letových ovladačů Thrustmaster a sdílení profilů s komunitou Thrustmaster.

STAŽENÍ T.A.R.G.E.T

Přejděte na adresu <https://support.thrustmaster.com>. Zvolte **Joysticks (Joysticky) / TCA Sidestick X Airbus Edition**, poté zvolte **Software**. Stáhněte a nainstalujte pokročilý programovací software T.A.R.G.E.T.

HLAVNÍ VLASTNOSTI T.A.R.G.E.T:

- Různé možné konfigurace os.
- Různé možné úrovně programování: Basic (Základní), Advanced (Pokročilý) a Script (Skript).
- Použití principu Drag and Drop.
- Možnost kombinace TCA Sidestick X Airbus Edition s dalšími joysticky Thrustmaster (Hotas Cougar*, Hotas Warthog*, T.16000M*, MFD Cougar Pack*, rovněž kompatibilními s T.A.R.G.E.T), umožňující jejich rozpoznání jako samostatného zařízení USB.
- Přístup k pokročilým profilům vytvořených komunitou Thrustmaster.



**prodává se samostatně*

DŮLEŽITÉ POZNÁMKY

Při připojování joysticku nechte páku a kormidlo vždy ve středu a nehýbejte s nimi, abyste předešli případným problémům s kalibrací.

ŘEŠENÍ PROBLÉMŮ A VAROVÁNÍ

Můj joystick nefunguje správně nebo se zdá být špatně kalibrovaný.

- Před připojením kabelu USB ke konzoli nebo počítači zkontrolujte, zda je přepínač (14) ve správné poloze (Xbox nebo PC).
- Vypněte konzoli nebo počítač, odpojte joystick, znovu jej připojte a poté znovu spusťte hru.
- Při připojování joysticku nechte páku a kormidlo ve středu a nehýbejte s nimi, abyste předešli případným problémům s kalibrací.

Nemohu nakonfigurovat joystick.

- V nabídce hry **Options (Možnosti) / Controller (Ovladač) / Gamepad** nebo **Joystick** vyberte příslušnou konfiguraci nebo zcela překonfigurujte možnosti ovladače.
- Další informace naleznete v uživatelské příručce ke hře nebo v online nápovědě.

Můj joystick je příliš citlivý nebo nedostatečně citlivý.

- TCA Sidestick X Airbus Edition se po několika pohybech na různých osách automaticky sám zkalibruje.
- V menu hry **Options (Možnosti) / Controller (Ovladač) / Gamepad** nastavte citlivost a mrtvé zóny ovladače (pokud jsou tyto možnosti k dispozici).

Konektor mikrofonu TCA Sidestick X Airbus Edition nefunguje správně.

- TCA Sidestick X Airbus Edition je vybaven zvukovým zařízením USB. Při prvním připojení zvukového zařízení USB k systému Windows je výchozí hlasitost všech mikrofonů nastavena na nulu.
- Chcete-li problém vyřešit, přistupte k nastavení zvuku systému Windows pro konektor mikrofonu TCA Sidestick X Airbus Edition a nastavte úroveň zvuku na 100%.

V počítači připojená zařízení nefungují správně.

- Nainstalujte ovladač pro PC. Přejděte na stránku <https://support.thrustmaster.com>. Klikněte na položku **Joysticks (Joysticky) / TCA Sidestick X Airbus Edition** a vyberte možnost **Drivers (Ovladače)**. Stáhněte a nainstalujte ovladač PC a jeho přizpůsobený rozhraní pro ovládací panel systému Windows.



Toto zařízení je určeno pouze pro účely herní zábavy. Je přísně zakázáno používat toto zařízení pro profesionální tréninkové aktivity.

SPOTŘEBITELSKÉ INFORMACE O ZÁRUCE

Celosvětově, Guillemot Corporation S.A., jejíž sídlo se nachází na Place du Granier, B.P. 97143, 35571 Chantepie, France (dále jen "Guillemot") zaručuje spotřebiteli, že tento výrobek od Thrustmasteru bude bez závad materiálu a zpracování, po dobu záruční doby od okamžiku převzetí výrobku ve shodě s ohledem na tento výrobek. V zemích Evropské Unie, tato doba odpovídá dvěma (2) letům od dodání výrobku Thrustmaster. V ostatních zemích, záruční doba odpovídá časovému intervalu od převzetí výrobku Thrustmaster v souladu s platnými zákony země, ve které měl spotřebitel trvalý pobyt ke dni nákupu výrobku Thrustmaster (pokud žádné takové opatření v příslušné zemi neexistuje, záruční doba bude jeden (1) rok od data nákupu výrobku Thrustmaster).

Bez ohledu na výše uvedené podmínky, je záruční doba na dobíjecí baterie omezena na dobu šesti (6) měsíců od původního data nákupu.

Pokud se u výrobku během záruční doby objeví závada, neprodleně kontaktujte Technickou podporu, kde vám naznačí postup, jak záruku uplatnit. Pokud bude závada uznána, výrobek musí být vrácen prodávajícímu, kde byl zakoupen (nebo na jiné místo, které určí Technická podpora).

V rámci této záruky, bude vadný výrobek podle Technické podpory buď vyměněn, nebo uveden do funkčního stavu. Pokud bude během záruční doby výrobek Thrustmasteru opravován, bude záruční doba o dobu, kdy nebylo možné výrobek používat prodloužena, nejméně alespoň o sedm (7) dní (tato doba začíná datem, kdy zákazník požádal o vyřízení reklamace nebo od data, kdy dotyčný produkt byl k dispozici pro opravu, pokud datum předání výrobku k opravě je po datu žádosti o vyřízení reklamace). Pokud to umožňují platné zákony, je plná odpovědnost společnosti Guillemot a jejích dceřiných společností (včetně následných škod) omezena na navrácení produktu do provozuschopného stavu nebo na výměnu výrobku Thrustmaster. Pokud to umožňují platné zákony, Guillemot se zříká všech záruk obchodovatelnosti nebo vhodnosti pro určitý účel.

Tato záruka se nevztahuje na: (1) pokud byl výrobek modifikován, otevřen, změněn nebo utrpěl poškození v důsledku nevhodného nebo nesprávného používání, nedbalosti, nehody, běžného opotřebení, nebo jakékoliv jiné příčiny, nesouvisející s vadou materiálu nebo zpracování (včetně, ale ne pouze, při kombinaci výrobku Thrustmaster s jakýmkoliv nevhodným prvkem, včetně zejména napájecích adaptérů, nabíjecích baterií, nabíječky, nebo jiných prvků, které nebyly k tomuto výrobku dodány společností Guillemot; (2) pokud byl výrobek používán pro jiné účely než domácí použití, včetně profesionálních a komerčních účelů (např. v hernách, při tréninku, při závodech); (3) v případě nedodržení pokynů poskytovaných Technickou podporou; (4) software, na zmíněný software je poskytována zvláštní záruka; (5) spotřební materiál (prvky, které mohou být vyměněny v průběhu životnosti produktu: baterie na jedno použití, náhlavní sluchátkové soupravy nebo např. náušníky sluchátek); (6) příslušenství (například kabely, pouzdra, brašny, zápeční řemínky); (7) pokud byl výrobek prodán ve veřejné aukci.

Tato záruka je nepřenositelná.

Zákonná práva spotřebitele vzhledem k platným zákonům vztahujícím se na prodej spotřebního zboží v jeho nebo její zemi nejsou touto zárukou ovlivněny.

Další ustanovení o záruce

V průběhu záruční doby, Guillemot zásadně nedodává žádné náhradní díly, neboť Technická podpora je jedinou stranou autorizovanou k demontáži a opravě jakéhokoliv produktu Thrustmaster (s výjimkou jakéhokoliv opravy, o kterou zákazník požádá Technická podpora prostřednictvím písemných pokynů, například z důvodu jednoduchoosti a neutajovaného postupu opravy a poskytnutím požadovaných náhradních dílů, jsou-li použitelné).

Vzhledem ke svému inovačnímu cyklu a s cílem ochrany know-how a obchodního tajemství, nesmí Guillemot zásadně poskytovat jakékoli vyrozumění o opravách nebo náhradních dílech jakéhokoliv výrobku Thrustmaster, jehož záruční doba již vypršela.

Odpovědnost

Pokud to povolují příslušné zákony, Guillemot Corporation S.A. (dále jen "Guillemot") a její dceřiné společnosti se zřikají veškeré odpovědnosti za škody způsobené jedním nebo více následujícími body: (1) výrobek byl modifikován, otevřen nebo pozměněn; (2) nedodržení návodu k montáži; (3) nevhodné nebo nesprávné používání, nedbalost, nehoda (například náraz); (4) běžné opotřebení; (5) použití výrobku pro jakéhokoliv jiné než domácí použití, včetně profesionálního nebo komerčního použití (například v hernách, pro výcvik, při soutěžích). Pokud to povolují příslušné zákony, Guillemot a její dceřiné společnosti se zřikají veškeré odpovědnosti za jakéhokoliv škody, které nesouvisí s použitými materiály nebo výrobní vadou příslušného výrobku (včetně, ale nikoliv výhradně, veškerých škod způsobených přímo nebo nepřímo softwarem, nebo kombinací výrobku Thrustmaster s jakýmkoliv nevhodným prvkem včetně zejména napájecími zdroji, dobíjecími bateriemi, nabíječkami nebo jakýmkoli jinými prvky, které nebyly společnostmi Guillemot k tomuto výrobku dodány).

THRUSTMASTER®

TECHNICKÁ PODPORA

<https://support.thrustmaster.com>



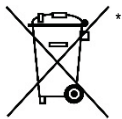
AUTORSKÁ PRÁVA

©2022 Guillemot Corporation S.A. Všechna práva vyhrazena. Thrustmaster® je registrovaná ochranná známka společnosti Guillemot Corporation S.A. Vyrábí a distribuuje společnost Guillemot Corporation S.A. AIRBUS, jeho logo a obchodní a servisní značky jsou registrované ochranné známky společnosti Airbus. Všechna práva vyhrazena. © Airbus 2022. Všechna práva vyhrazena. Oficiálně licencováno společností Airbus.

Microsoft, Xbox, Xbox "Sphere" Design, Xbox Series X|S, Xbox One a Windows 10/11 jsou ochranné známky skupiny společností Microsoft.

Všechny ostatní ochranné známky a názvy značek se tímto uznávají a jsou majetkem příslušných vlastníků. Obsah, design a specifikace se mohou bez předchozího upozornění změnit a mohou se v jednotlivých zemích lišit. Fotografie a ilustrace nejsou závazné. Navrženo v Severní Americe a Evropě, vyrobeno v Číně.

DOPORUČENÁ OCHRANA ŽIVOTNÍHO PROSTŘEDÍ



V zemích Evropské unie, Spojeném království a Turecku: Na konci životnosti by tento výrobek neměl být vhozen do standardního směsného odpadu, ale odevzdán do sběrného dvora na recyklaci elektrických a elektronických zařízení.

Toto je potvrzeno symbolem, který je na výrobku, v uživatelském manuálu nebo na obalu.

V závislosti na charakteristice materiálů, mohou být tyto recyklovány. Recyklací a dalšími formami zpracování odpadních elektrických a elektronických zařízení můžete významným způsobem přispět k ochraně životního prostředí.

Pro informace o nejbližším sběrném dvoru se obraťte na místní úřad.

Pro všechny ostatní země: Dodržujte prosím místní předpisy týkající se recyklace elektrických a elektronických zařízení.

Tyto informace si uchvejte. Barvy a dekorace se mohou lišit.

Před použitím by měly být z výrobku odstraněny plastové spojovací materiály.

www.thrustmaster.com

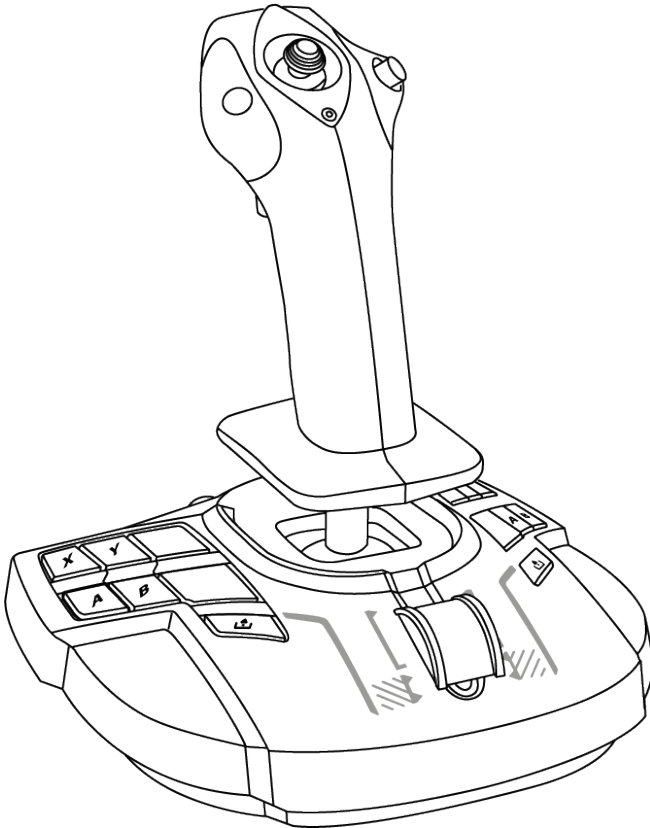
**Platné pouze pro EU, Spojené království a Turecko*



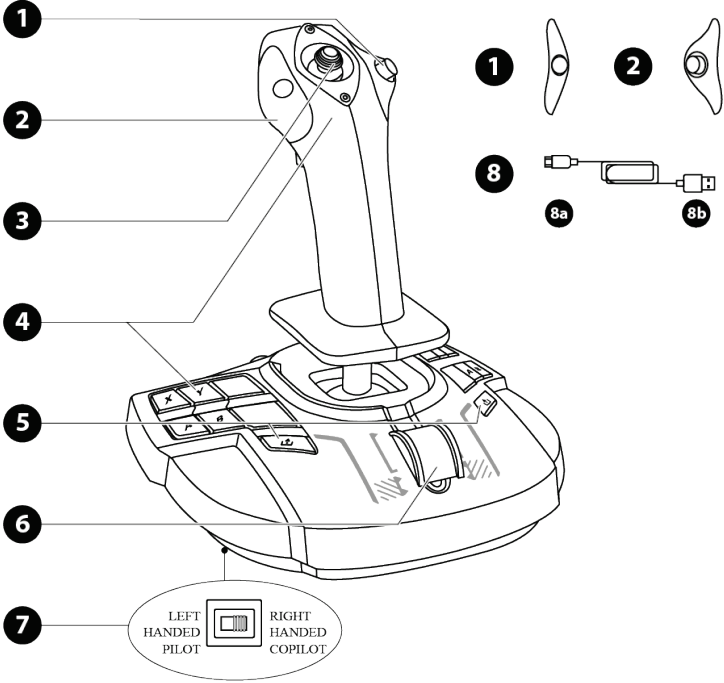
TCA SIDESTICK X AIRBUS EDITION

XBOX SERIES X|S – XBOX ONE – PC

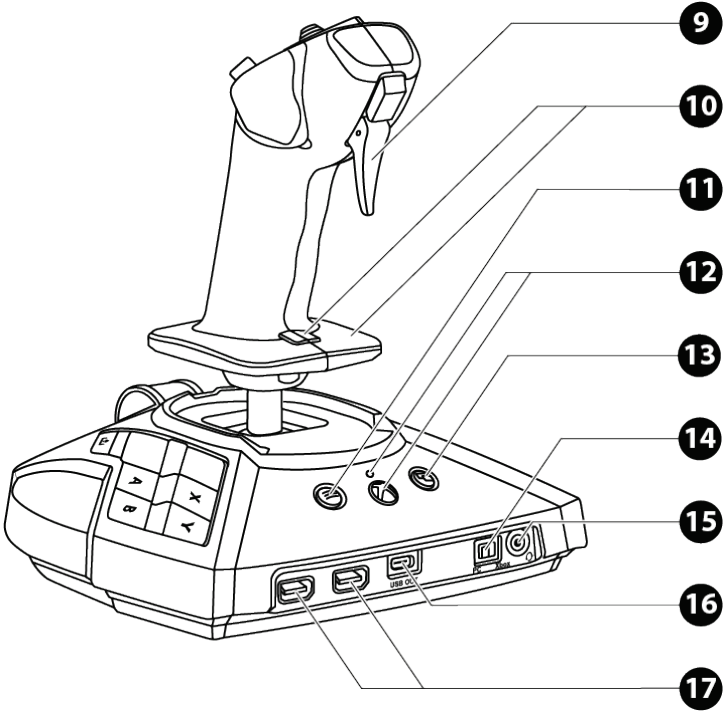
Kullanma Kilavuzu



TEKNİK ÖZELLİKLER



1. Sağ düğme modülleri
2. Sol düğme modülleri
3. Çok yönlü "Görüş Açısı" başlık düğmesi
4. Xbox'da 21 eylem düğmesi, PC'de 22 eylem düğmesi
5. Paylaş düğmeleri (Xbox)
6. Gaz kolu + bir sanal düğme (sadece PC'de)
7. Seçme düğmesi: LEFT HANDED — PILOT (sol el — pilot) / RIGHT HANDED — COPILOT (sağ el — kopyot)
8. USB-C (8a) — USB-A (8b) kablosu



9. Dijital tetik
10. El dayama yeri + kilitleme düğmesi olan döner kollar dümen kontrolü
11. Menü düğmesi (Xbox)
12. Xbox düğmesi + LED
13. Görünüm düğmesi (Xbox)
14. Xbox / PC seçme düğmesi
15. Oyun kulaklığı* için 3,5 mm mini-jak mikrofon konektörü
16. Type-C USB portu
17. TCA Quadrant Airbus Edition* veya TPR dümen* için Type-A USB portları

*ayrı olarak satılır

JOSTICK'İ TANIYALIM

ÖZEL HASSASİYET TEKNOLOJİSİ

H.E.A.R.T: Halleffect AccuRate Technology

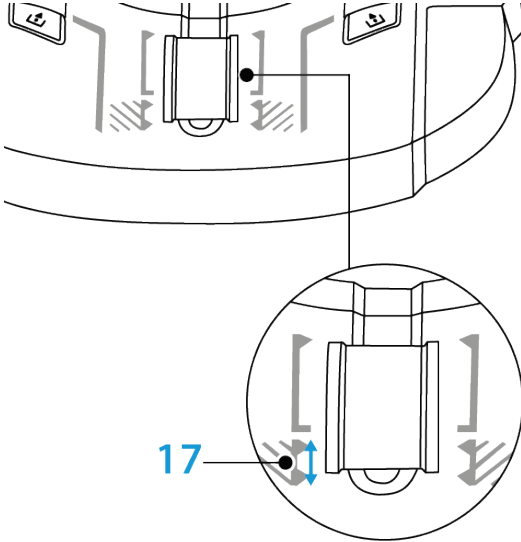
TCA Sidestick X Airbus Edition joystick şunları içeren yüksek hassasiyet teknolojisine sahiptir:

- kolda 3D (Hall etkisi) manyetik sensörler;
- bir mıknatıs: bitmeyen sınırsız hassasiyet ve olağanüstü tepkisellik için sürtünme yok;
- kolda helezon yay (2,8 mm): sıkı, doğrusal ve ultra akıcı gerilim için.

GAZ KOLU

Joystick'iniz, uçağınızın motor itme kuvvetini kolayca kontrol etmeniz için kullanabileceğiniz bir gaz kolu (6) içerir.

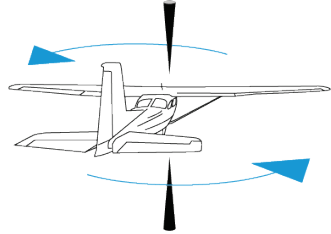
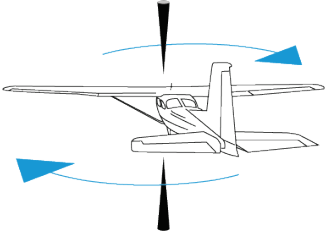
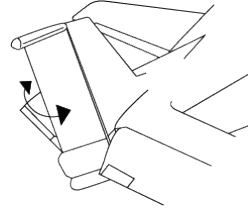
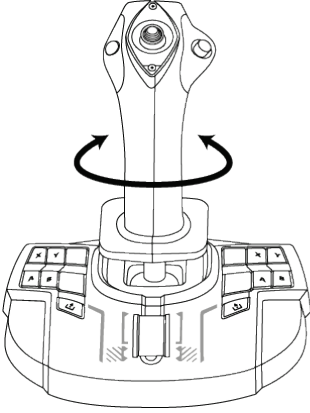
Ters itme sistemlerini çalıştırmak için gaz kolu hareket aralığının ilk yüzde 20'sinde kullanılabilen sadece PC'de mevcut bir sanal düğme (PC eşleştirmesinde 17 numara) sağlanmıştır.



DÜMEN FONKSİYONU

Joystick'iniz bir dümen fonksiyonu **(10)** içerir. Bir uçakta uçağı dikey eksenli etrafında döndürmek için (uçağı sola veya sağa döndürmek) pilot dümeni kullanır.

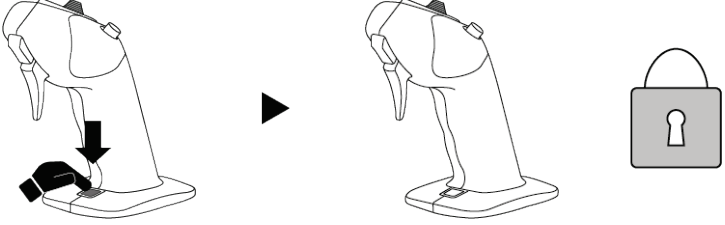
Bu dümen fonksiyonu joystick'inizde kolu sağa veya sola döndürerek (yani çevirerek) kullanılabilir.



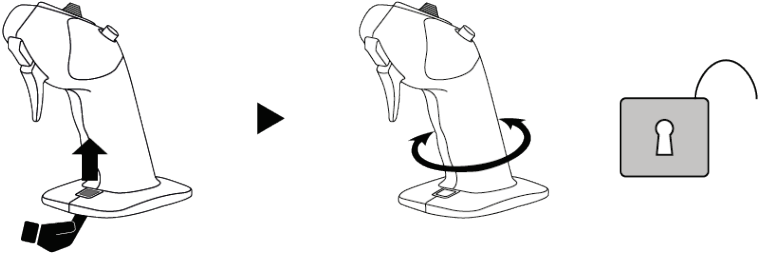
DÜMEN FONKSİYONUNU KİLİTLEME/KİLİDİNİ AÇMA

Dümen fonksiyonu, joystick kolunun arka kısmındaki kilitleme düğmesi kullanılarak devre dışı bırakılabilir.

Dümen eksenini kilitlemek için bu düğmeye basın.



Dümen ekseninin kilidini açmak için bu düğmeyi yeniden yukarı konuma getirin.



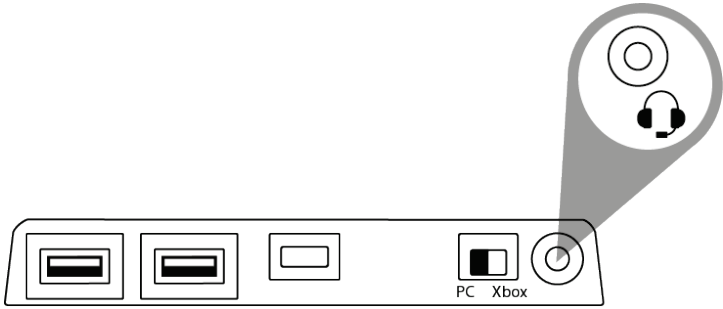
ÇOK YÖNLÜ “GÖRÜŞ AÇISI” BAŞLIK DÜĞMESİ

Joystick'iniz (bu özelliğinin etkin olduğu oyunlarda) uçağınızın çevresinde olan her şeyi anında görmenizi sağlayan bir “Görüş Açısı” başlık düğmesi **(3)** içerir. Bu özelliği kullanmak için oyunun kurulum menüsüne giderek farklı görünümüleri (arkadan görünüm, soldan görünüm, sağdan görünüm, dıştan görünümüleri) “Görüş Açısı” başlık düğmesinin yönlerine programlayın.

İsterseniz “Görüş Açısı” başlık düğmesini başka amaçlarla (ateşleme, vb.) kullanmak için ayırabilirsiniz.

OYUN KULAKLIĞI İÇİN MİKROFON KONEKTÖRÜ

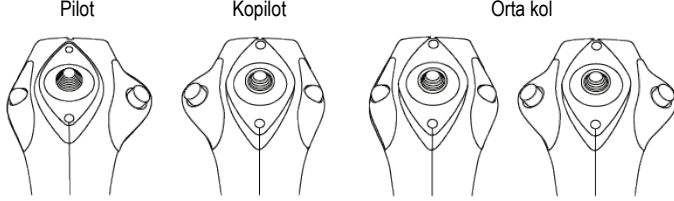
Joystick'inizde 3,5 mm mini-jak mikروفon konektörü **(15)** mevcut olup daha sürükleyici bir deneyim için dahili mikروفon içeren bir oyun kulaklığının kullanılmasını sağlar.



İKİ YÖNLÜ SİSTEM VE MODÜLLERİN AYARLANMASI

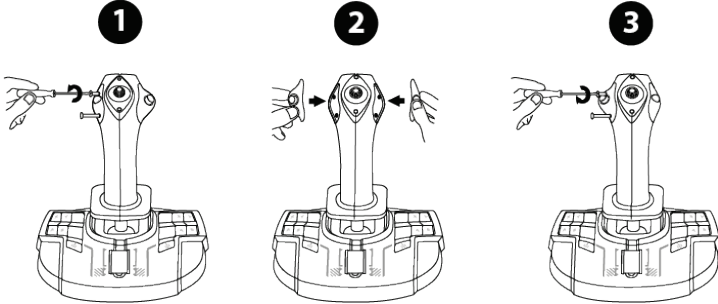
TCA Sidestick X Airbus Edition joystick'iniz sağ veya sol elini kullanan tüm kullanıcılara mükemmel uyum sağlamak için iki yönlü kullanıma avantajına sahiptir.

Standart olarak joystick pilot moduna ayarlanmıştır. Dört konfigürasyon mümkündür:



Joystick'inizin konfigürasyonunu değiştirmek için:

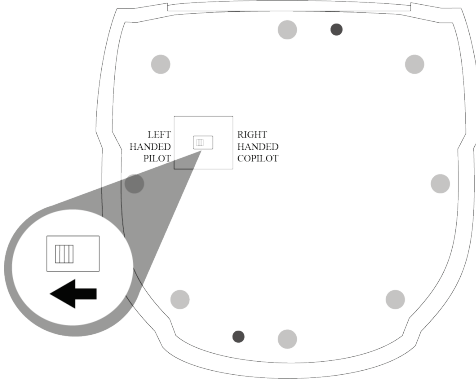
1. Küçük bir tornavida kullanarak her bir düğme modülünün iki vidasını dikkatlice çıkarın.
2. Modülleri tercih ettiğiniz konfigürasyona göre değiştirin.
3. Vidaları geri takın ve sonuna kadar yeniden sıkın.



KOLU SOL ELE UYGUN (PİLOT) MODA AYARLAMA

Joystick'in SOL ELE UYGUN (PİLOT) MODDA olduğunu tanımlamak için joystick'i bağlamadan önce joystick tabanının altında bulunan seçme düğmesini (7) LEFT HANDED — PILOT konumuna alın.

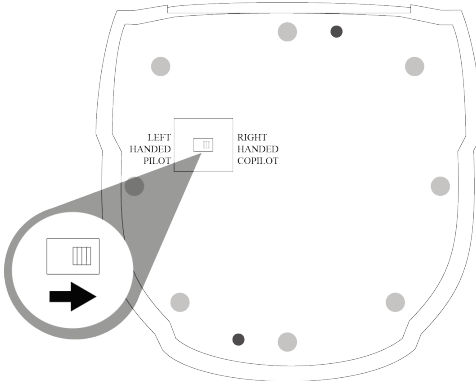
Bu durumda ürününüz bir TCA Sidestick X Pilot olarak algılanacaktır.



KOLU SAĞ ELE UYGUN (KOPİLOT) MODA AYARLAMA

Joystick'in SAĞ ELE UYGUN (KOPİLOT) MODDA olduğunu tanımlamak için joystick'i bağlamadan önce joystick tabanının altında bulunan seçme düğmesini (7) RIGHT HANDED — COPILOT konumuna alın.

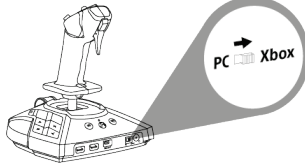
Bu durumda ürününüz bir TCA Sidestick X Copilot olarak algılanacaktır.



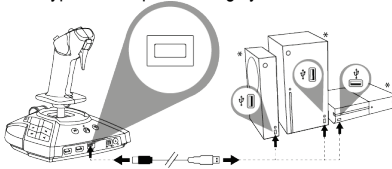
XBOX SERIES X|S / XBOX ONE

XBOX SERIES X|S* / XBOX ONE'DA* KURULUM

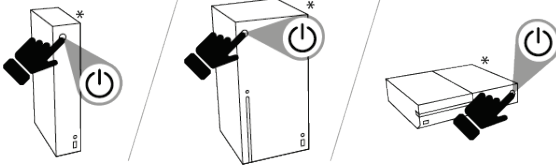
1. Joystick'in arkasında bulunan seçme düğmesini (14) Xbox konumuna alın.



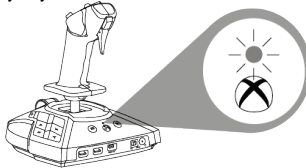
2. USB-C – USB-A kablosunu (8) joystick üzerindeki Type-C USB portuna (16) ve konsol üzerindeki Type-A USB portuna bağlayın.



3. Konsolunuzu açın.



4. Joystick'in LED'i beyaz yanar.



5. Uçuş Kolu modunu destekleyen uyumlu bir oyunu başlatın.

Artık oynamaya hazırsınız!

**ayrı olarak satılır*

UYUMLU XBOX SERIES X|S / XBOX ONE OYUNLARININ LİSTESİ

Xbox Series X|S* / Xbox One'da*, TCA Sidestick X Airbus Edition:

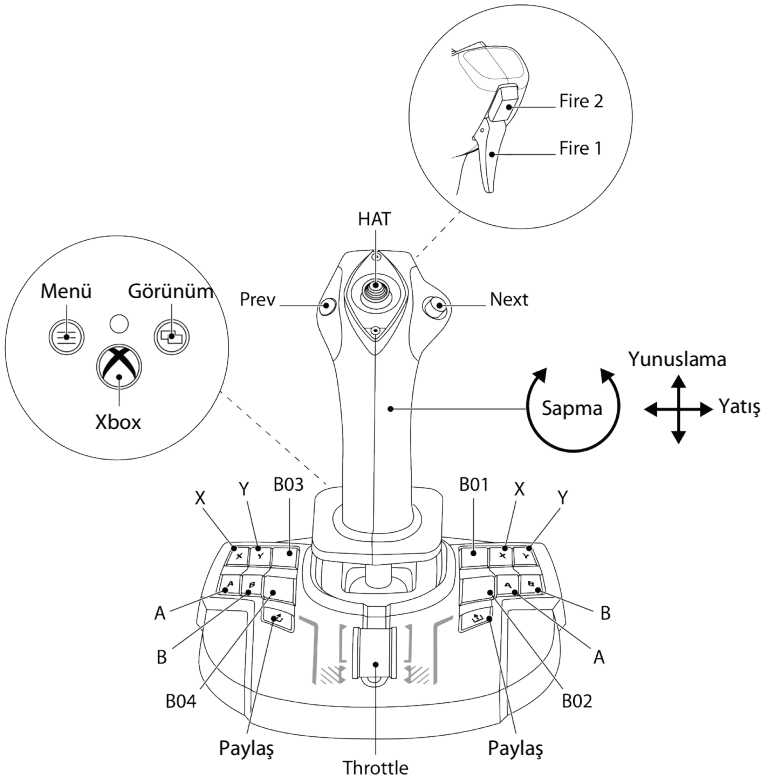
- sadece Uçuş Kolu modunu destekleyen oyunlarla uyumludur.
- maksimum tepki ve hassasiyet ve aynı zamanda bu oyunlarda mevcut joystick seçeneklerine erişebilmek için oyunlarda oyun pedi olarak değil joystick olarak algılanır.

Joystick ile uyumlu Xbox Series X|S / Xbox One oyunlarının listesi için bkz. <https://support.thrustmaster.com>, **Joysticks** (Joystick'ler) / **TCA Sidestick X Airbus Edition** kısmı.

Bu liste TCA Sidestick X Airbus Edition ile uyumlu yeni Xbox Series X|S / Xbox One oyunları çıktıkça düzenli olarak güncellenecektir.

**ayrı olarak satılır*

XBOX EŞLEŞTİRMESİ



XBOX SERIES X|S* / XBOX ONE'DA* TCA SIDESTICK X AIRBUS EDITION BAĞLANIRLIĞI

TCA Sidestick X Airbus Edition dört eksene sahiptir ama TCA Quadrant Airbus Edition* gaz kolu sistemi, TCA Quadrant Add-On Airbus Edition* modülleri ve TPR* dümen sistemini doğrudan joystick'in arkasına bağlamanıza olanak tanır.

Sadece Xbox Series X|S* / Xbox One'da* ikinci bir gaz kolu sistemi TCA Quadrant Airbus Edition'a* bağlanabilir ve joystick'in dokuza kadar ek ekseni yönetmesini sağlar.

Xbox Series X|S* / Xbox One'da* Type-A USB portu üzerinden bağlanan uyumlu Thrustmaster cihazları TCA Sidestick X Airbus Edition ile birleştirilir.



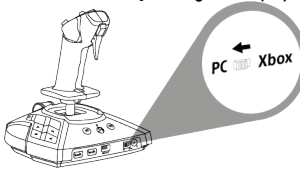
Xbox Series X|S* / Xbox One'da* sadece TCA Quadrant Airbus Edition*, TCA Quadrant Add-On Airbus Edition* ve TPR* ile TFRP* dümen sistemleri desteklenir.

**ayrı olarak satılır*

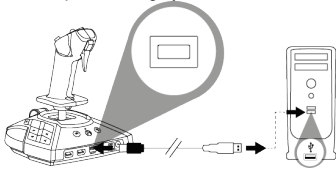
PC

PC'DE* KURULUM

1. <https://support.thrustmaster.com> adresine gidin. **Joysticks** (Joystick'ler) / **TCA Sidestick X Airbus Edition**'a tıklayın ve **Drivers**'ı (Sürücüler) seçin. PC sürücüsünü ve Windows Denetim Masası için özel arayüzünü indirip yükleyin.
2. Joystick'in arkasında bulunan seçme düğmesini **(14)** PC konumuna alın.



3. USB-C — USB-A kablosunu **(8)** joystick üzerindeki Type-C USB portuna **(16)** ve PC üzerindeki Type-A USB portuna bağlayın.



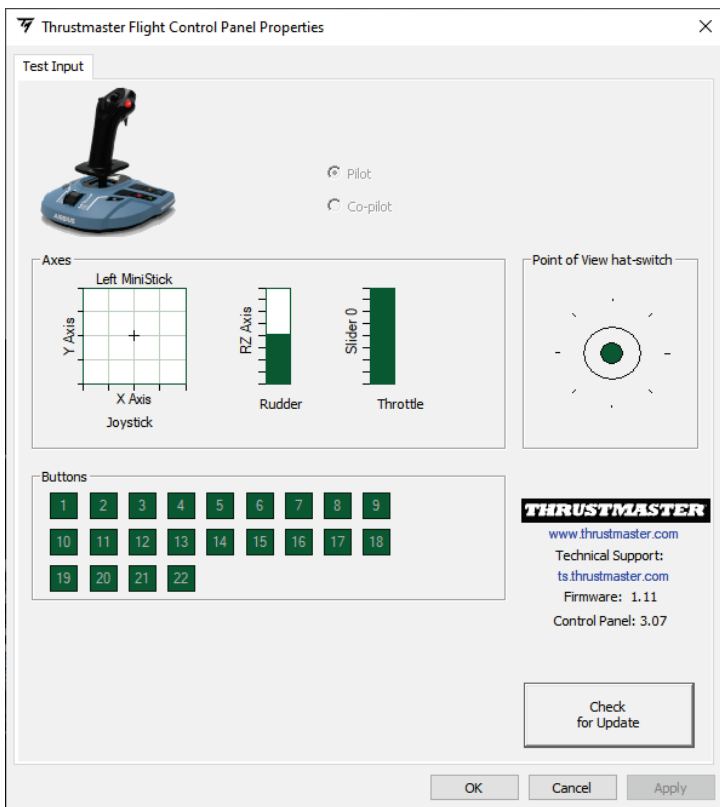
4. HID uçuş çevre birimlerini destekleyen uyumlu bir oyunu başlatın.

Artık oynamaya hazırsınız!

**ayrı olarak satılır*

ÖZELLEŞTİRİLMİŞ ARAYÜZ

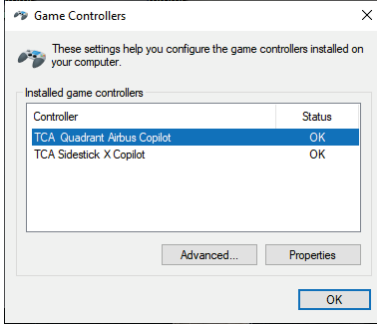
1. Özelleştirilmiş Denetim Masası arayüzüne erişmek için **Başlat / Uygulamalar / Thrustmaster / Denetim Masası'nı** seçin (Windows® 10/11'de). **Oyun Kumandaları** iletişim kutusu açılır. Cihaz ekranda **TCA Sidestick X** adıyla ve durumu **Tamam** olarak gösterilir.
2. Tüm özellikleri test etmek ve görmek için **Oyun Kumandaları** iletişim kutusunda **Özellikler**'e tıklayın.



PC'DE* TCA SIDESTICK X AIRBUS EDITION BAĞLANIRLIĞI

TCA Sidestick X Airbus Edition dört eksene sahiptir ama TCA Quadrant Airbus Edition* gaz kolu sistemi, TCA Quadrant Add-On Airbus Edition* modülleri ve TPR* dümen sistemini doğrudan joystick'in arkasına bağlamanıza olanak tanır.

TCA Quadrant Airbus Edition* ve TPR* dümen sistemi veya TFRP* dümen sistemi bağlandığında **Oyun Kumandaları** iletişim kutusunda sanal cihazlar şeklinde bağımsız olarak görüntülenirler:

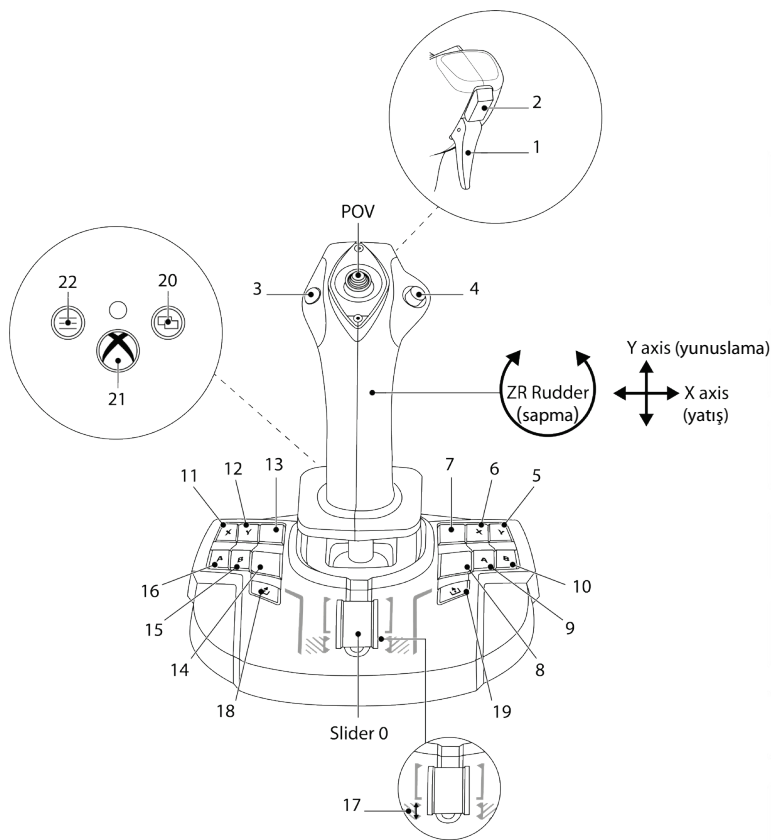


TPR* dümen sistemini veya TFRP* dümen sistemini bağlama:

- Cihazların düzgün çalışması için sürücü yüklenmelidir.
- Dümen sistemi joystick'e veya joystick'e bağlı gaz kolu sistemine bağlanırsa dümen sisteminin üç ekseni sanal kadrant (TCA Quadrant Airbus Copilot) ile birleştirilir.

**ayrı olarak satılır*

PC EŞLEŞTİRMESİ

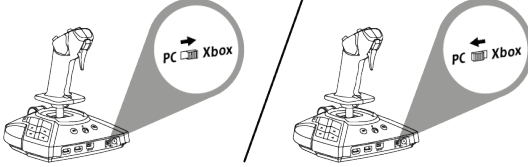


TCA QUADRANT AIRBUS EDITION* VE TPR* VE TFRP* DÜMEN SİSTEMLERİ İLE BİRLEŞTİRİLMİŞ TCA SIDESTICK X AIRBUS EDITION'IN TAKILMASI

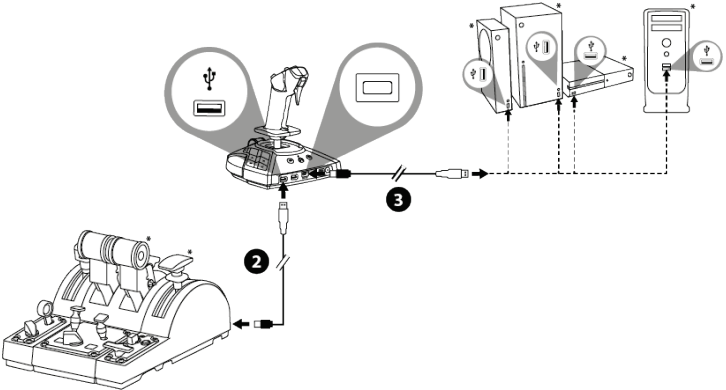
GAZ KOLU VE EKLENEBİLİR MODÜLLER

TCA Quadrant Add-On Airbus Edition* modülleri ile birlikte TCA Quadrant Airbus Edition* joystick'e bağlanır.

1. Joystick'in arkasında bulunan seçme düğmesini **(14)** Xbox veya PC konumuna alın.



2. USB-C — USB-A kablosunu **(8)** gaz kolu üzerindeki Type-C USB portuna ve joystick'in arkasında bulunan Type-A USB portuna **(17)** bağlayın.
3. İkinci bir USB-C — USB-A kablosunu **(8)** joystick üzerindeki Type-C USB portuna **(16)** ve konsol veya PC üzerindeki Type-A USB portuna bağlayın.



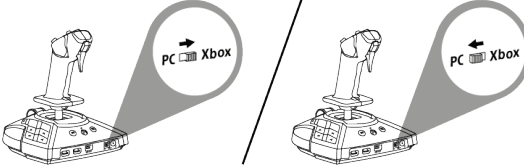
*ayrı olarak satılır

DÜMEN SİSTEMİ

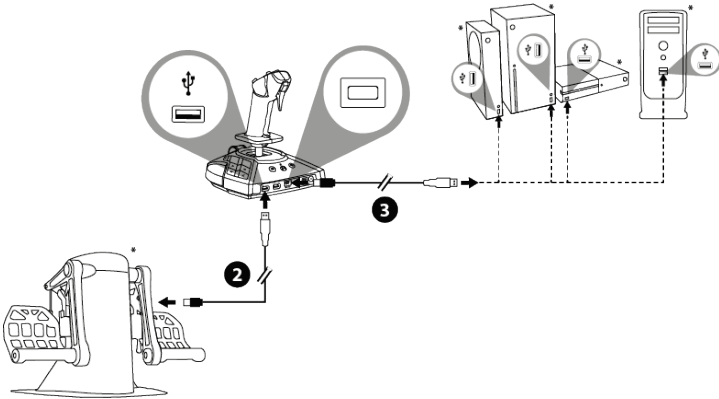
TPR* ve TFRP* dümen sistemleri için üç eksen ayrılmıştır.

TPR* dümen sistemi joystick'e bağlanır.

1. Joystick'in arkasında bulunan seçme düğmesini **(14)** Xbox veya PC konumuna alın.



2. Dümen sisteminin USB-A — USB-B kablosunu dümen sistemi üzerindeki Type-B USB portuna ve joystick'in arkasında bulunan Type-A USB portuna **(17)** bağlayın.
3. USB-C — USB-A kablosunu **(8)** joystick üzerindeki Type-C USB portuna **(16)** ve konsol veya PC üzerindeki Type-A USB portuna bağlayın.

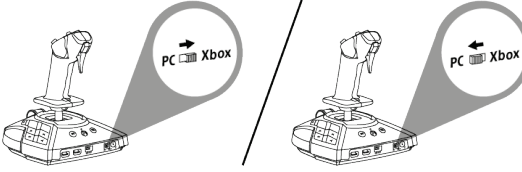


Xbox Series X|S* / Xbox One'da*, iki TCA Quadrant Airbus Edition* gaz kolu sistemi TCA Sidestick X Airbus Edition'a zaten bağlıysa bir TPR* dümen sistemi bağlanamaz.

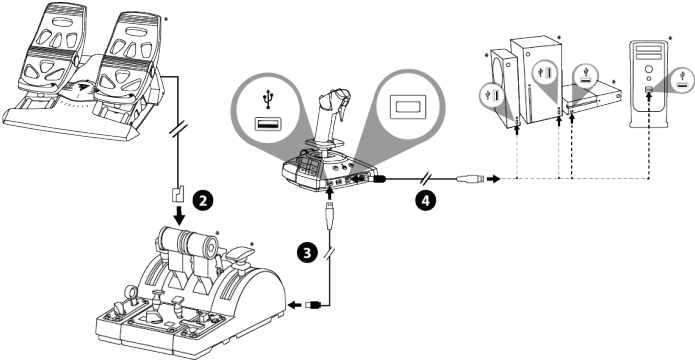
*ayrı olarak satılır

TFRP* dümen sistemi, TCA Quadrant Airbus Edition* kullanılırken gaz kolu sistemine bağlanır.

1. Joystick'in arkasında bulunan seçme düğmesini (14) Xbox veya PC konumuna alın.



2. Dümen sisteminin RJ12 konektörünü, TCA Quadrant Airbus Edition gaz kolu sisteminin arkasında bulunan RJ12 portuna bağlayın.
3. USB-C — USB-A kablusunu (8) gaz kolu sistemi üzerindeki Type-C USB portuna ve joystick'in arkasında bulunan Type-A USB portuna (17) bağlayın.
4. İkinci bir USB-C — USB-A kablusunu (8) joystick üzerindeki Type-C USB portuna (16) ve konsol veya PC üzerindeki Type-A USB portuna bağlayın.



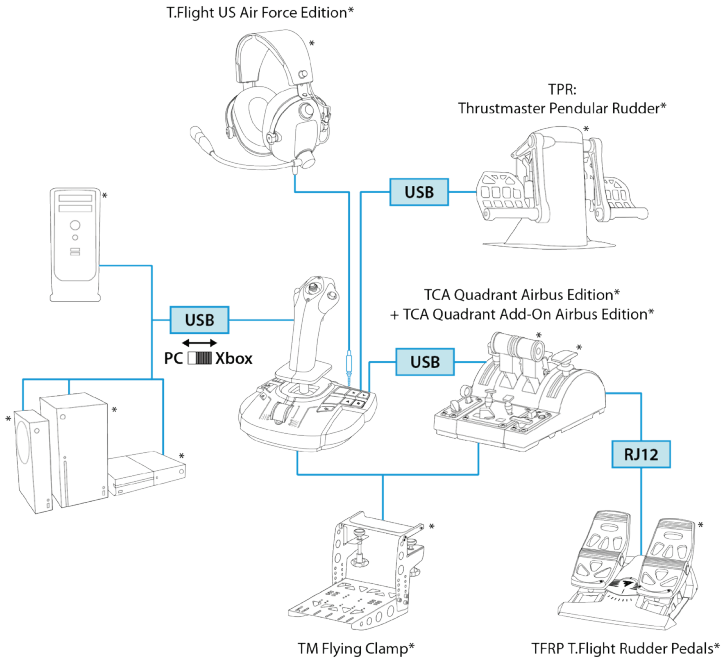
Otomatik eksen kalibrasyonu:

- Dümen sistemini joystick'e veya gaz kolu sistemine bağlarken dümenin eksenin daima ortalanmış bırakın. Ayaklarınızı dümenin üzerine koymayın.
- Pedalların üç eksenli birkaç hareket sonrasında ve dümen eksenini ile iki diferansiyel fren eksenini için fiziki durma noktalarına ulaşıldığında otomatik olarak kalibre olur.

*ayrı olarak satılır

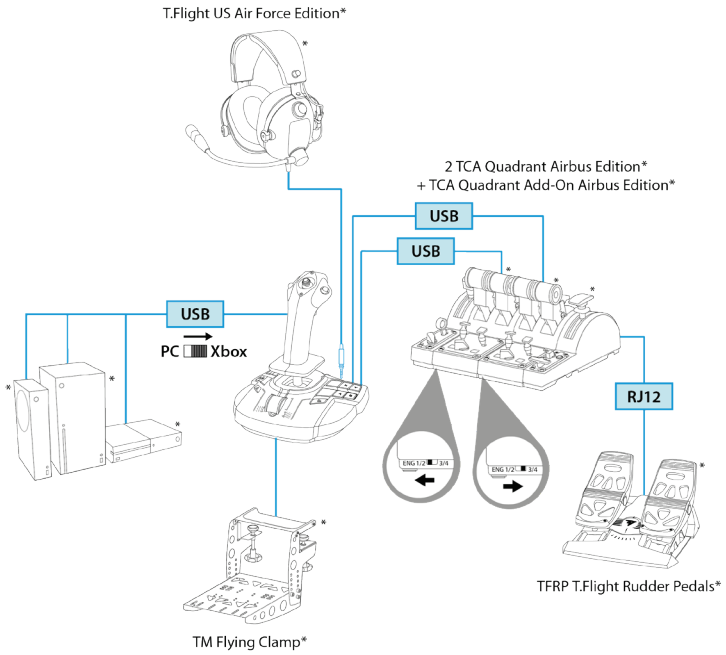
TCA SIDESTICK X AIRBUS EDITION'A UYUMLU TÜM ÜRÜNLERİ BAĞLAMA

XBOX SERIES X|S – XBOX ONE – PC



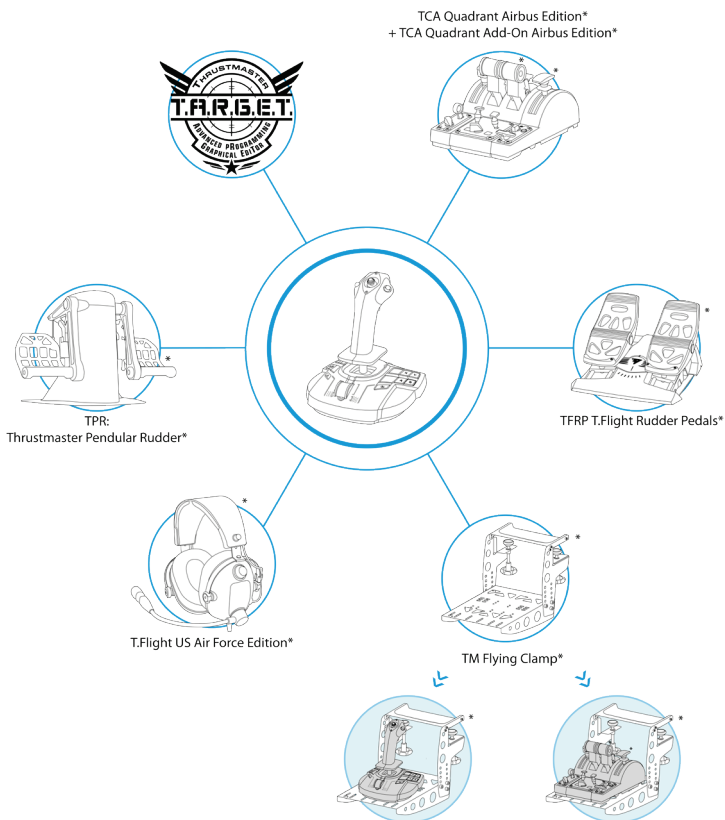
*ayrı olarak satılır

XBOX SERIES X|S – XBOX ONE



*ayrı olarak satılır

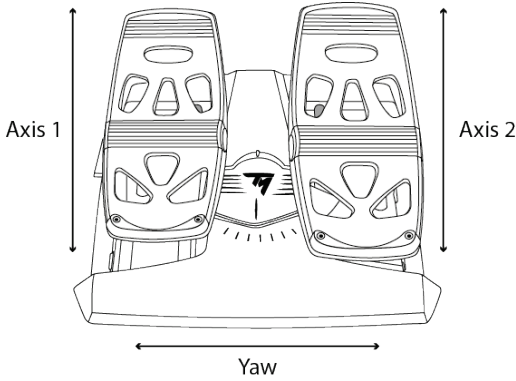
TCA EKOSİSTEMİ



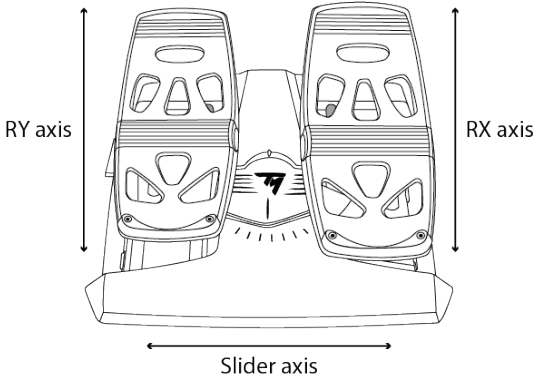
*ayrı olarak satılır

TCA QUADRANT AIRBUS EDITION* ÜZERİNDEN TCA SIDESTICK X AIRBUS EDITION'A BAĞLI TFRP* DÜMEN SİSTEMİ İÇİN EŞLEŞTİRME

XBOX EŞLEŞTİRMESİ



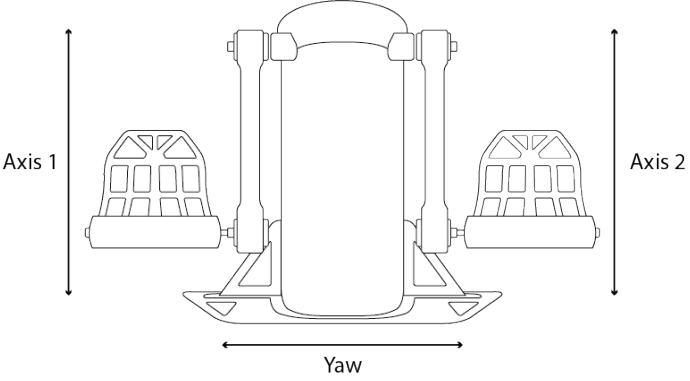
PC EŞLEŞTİRMESİ



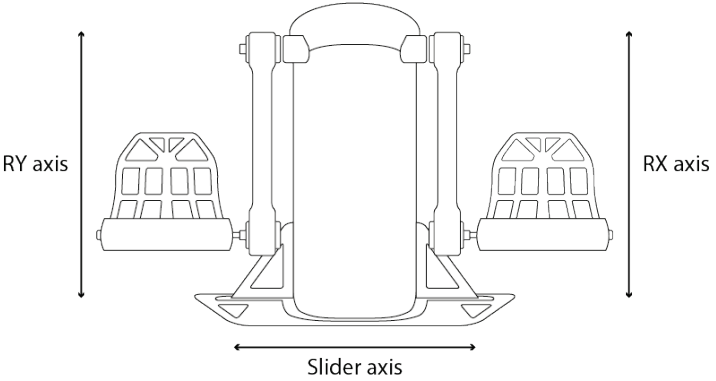
*ayrı olarak satılır

TCA SIDESTICK X AIRBUS EDITION'A BAĞLI TPR* DÜMEN SİSTEMİ İÇİN EŞLEŞTİRME

XBOX EŞLEŞTİRMESİ



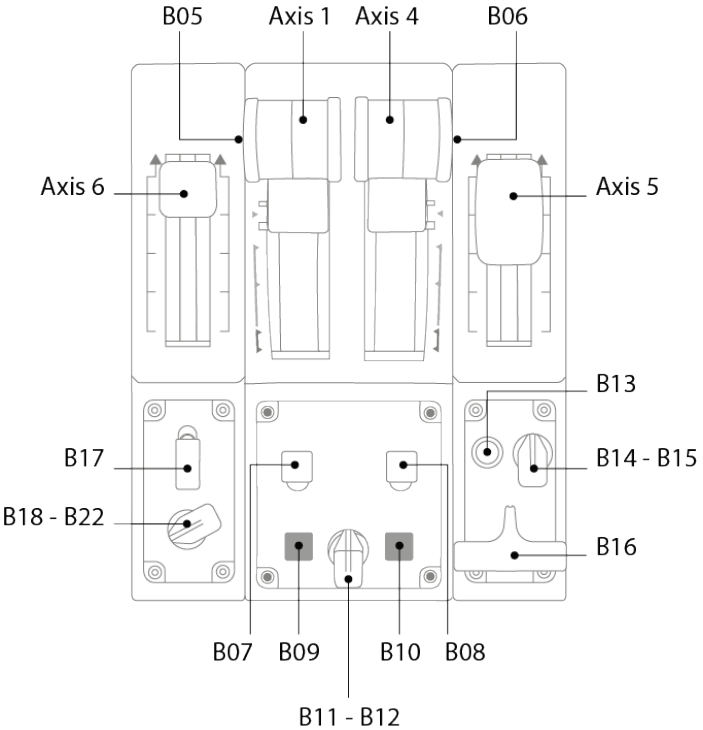
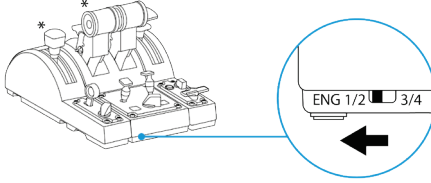
PC EŞLEŞTİRMESİ



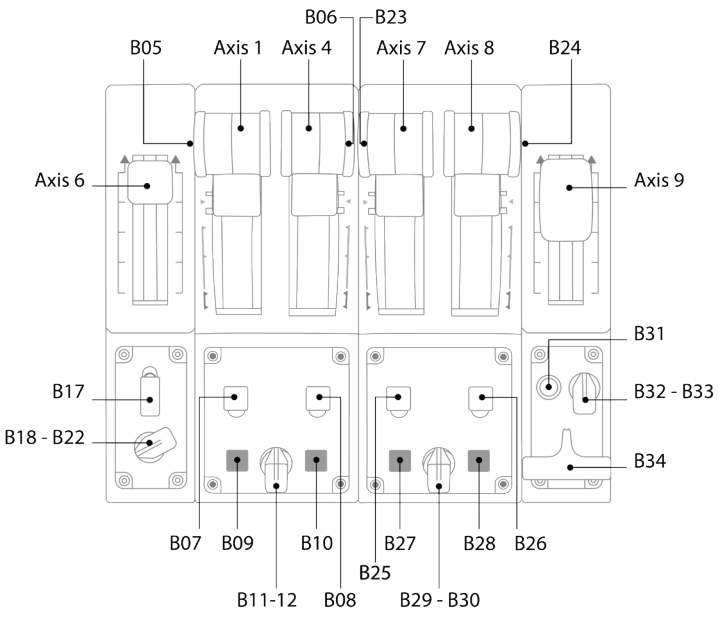
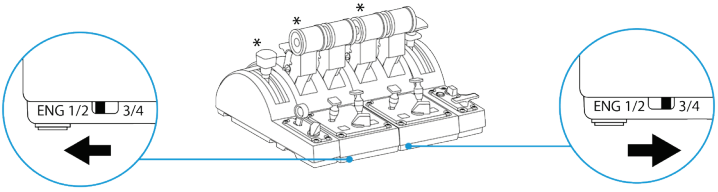
*ayrı olarak satılır

TCA SIDESTICK X AIRBUS EDITION'A BAĞLI TCA QUADRANT AIRBUS EDITION* VE TCA QUADRANT ADD-ON AIRBUS EDITION* İÇİN EŞLEŞTİRME

XBOX EŞLEŞTİRMESİ

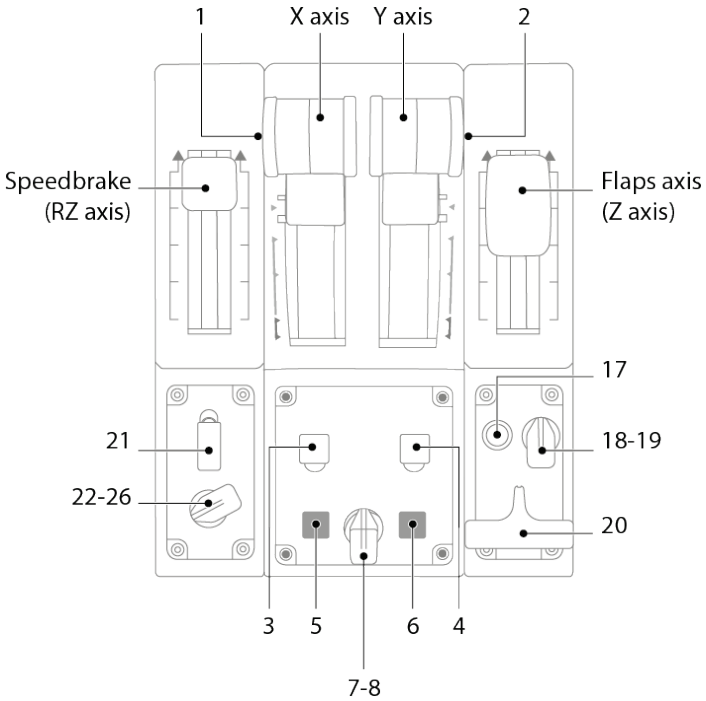
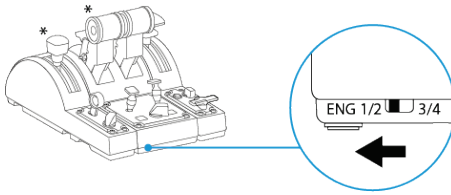


*ayrı olarak satılır



*ayrı olarak satılır

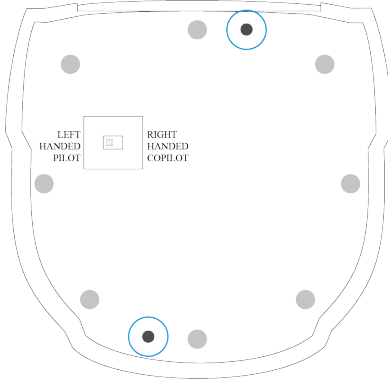
PC EŞLEŞTİRMESİ



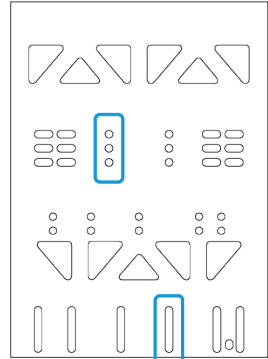
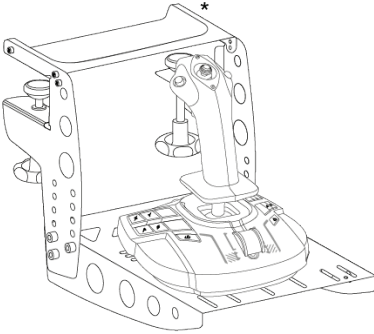
*ayrı olarak satılır

TCA SIDESTICK X AIRBUS EDITION'İ TM FLYING CLAMP*, KOKPİT VEYA BAŞKA BİR SABİT DESTEĞE TAKMA

Joystick'i sabit bir desteğe M6 vidaları (ürünle verilmez) kullanarak takmak için TCA Sidestick X Airbus Edition'ın altında bulunan iki deliği kullanabilirsiniz.



TCA SIDESTICK X AIRBUS EDITION'İ TM FLYING CLAMP'E* TAKMA:



*ayrı olarak satılır

TCA SIDESTICK X AIRBUS EDITION DONANIM YAZILIMINI GÜNCELLEME

Joystick bünyesinde bulunan donanım yazılımı, ürün iyileştirmelerinden yararlanmak için güncellenebilir.

Joystick'in donanım yazılımı sürümünü görüntülemek ve gerektiğinde güncellemek için: PC'de <https://support.thrustmaster.com> adresine gidin. **Joysticks** (Joystick'ler) / **TCA Sidestick X Airbus Edition / Firmware**'e (Donanım Yazılımı) tıklayın, ardından talimatları, indirme ve yükleme prosedürlerini izleyin.



Sadece TCA Quadrant Add-On Airbus Edition* modülleri ve TPR* ile TFRP* dümen sistemleri ile birleştirilmiş TCA Quadrant Airbus Edition* gaz kolu sistemi desteklenir.

Artık oynamaya hazırsınız!

**ayrı olarak satılır*

T.A.R.G.E.T GELİŞMİŞ PROGRAMLAMA YAZILIMI (Thrustmaster Advanced pROgramming Graphical EdiTor)

T.A.R.G.E.T (Thrustmaster Advanced pROgramming Graphical EdiTor) çoğu Thrustmaster uçuş kumandasında iyileştirme yapılmasına ve profillerin Thrustmaster topluluğu ile paylaşılmasına olanak tanıyan yenilikçi, yüksek performanslı bir yazılım paketidir.

T.A.R.G.E.T'İ YÜKLEME

<https://support.thrustmaster.com> adresine gidin. **Joysticks** (Joystick'ler) / **TCA Sidestick X Airbus Edition**'a tıklayın, ardından **Software**'i (Yazılım) seçin. T.A.R.G.E.T gelişmiş programlama yazılımını indirerek yükleyin.

T.A.R.G.E.T'İN ANA ÖZELLİKLERİ:

- Eksenler için farklı konfigürasyon imkanı.
- Çeşitli programlama düzeyleri: Basic, Advanced ve Script.
- Sürükle ve Bırak ilkesi kullanımı.
- TCA Sidestick X Airbus Edition'ı diğer Thrustmaster joystick'lerle (Hotas Cougar*, Hotas Warthog*, T.16000M*, MFD Cougar Pack*, T.A.R.G.E.T ile de uyumlu) birleştirebilme sayesinde bunların tek bir USB aygıtı olarak algılanmasını sağlar.
- Thrustmaster topluluğu tarafından oluşturulan gelişmiş profillere ulaşma.



*ayrı olarak satılır

ÖNEMLİ NOTLAR

Joystick'inizi bağlarken her türlü potansiyel kalibrasyon sorununu engellemek için daima kol ve dümeni ortalanmış bırakın ve bunları hareket ettirmekten kaçının.

SORUN GİDERME VE UYARI

Joystick'im düzgün çalışmıyor ya da uygun kalibre edilmemiş gözüküyor.

- USB kablosunu konsola veya PC'ye bağlamadan önce seçme düğmesinin **(14)** uygun konumda (Xbox veya PC) olduğunu kontrol edin.
- Bilgisayar veya konsolunuzu kapatın, joystick'inizi ayırın, yeniden bağlayın ve oyununuzu tekrar başlatın.
- Joystick'inizi bağlarken her türlü potansiyel kalibrasyon sorununu engellemek için kol ve dümeni ortalanmış bırakın ve bunları hareket ettirmekten kaçının.

Joystick'imi ayarlayamıyorum.

- Oyununuzun **Seçenekler / Kumanda Birimi / Oyun Padi** veya **Joystick** menüsünden uygun konfigürasyonu seçin veya kumanda birimi seçeneklerini komple yeniden ayarlayın.
- Daha fazla bilgi için lütfen oyununuzun kullanma kılavuzuna veya online yardıma başvurun.

Joystick'im çok hassas veya yeterince hassas değil.

- TCA Sidestick X Airbus Edition farklı eksenlerde birkaç hareketten sonra kendini otomatik olarak kalibre eder.
- Oyununuzun **Seçenekler / Kumanda Birimi / Oyun Padi** veya **Joystick** menüsünden kumanda biriminiz için hassasiyet ve ölü bölgeleri ayarlayın (bu seçenekler mevcutsa).

TCA Sidestick X Airbus Edition mikrofon konektörü düzgün çalışmıyor.

- TCA Sidestick X Airbus Edition bir USB ses aygıtına sahiptir. Windows'a ilk kez bir USB ses aygıtı bağlarken tüm mikrofonlar için varsayılan ses seviyesi sıfıra ayarlanır.
- Sorunu çözmek üzere TCA Sidestick X Airbus Edition mikrofon konektörü için Windows ses ayarlarına erişin ve ses seviyesini %100'e ayarlayın.

PC'de bağlı cihazlar düzgün çalışmıyor.

- PC sürücüsünü yükleyin. <https://support.thrustmaster.com> adresine gidin. **Joysticks** (Joystick'ler) / **TCA Sidestick X Airbus Edition**'a tıklayın ve **Drivers**'ı (Sürücüler) seçin. PC sürücüsünü ve Windows Denetim Masası için özel arayüzünü indirip yükleyin.



Bu cihaz sadece oyun eğlence amaçlarıyla kullanım için tasarlanmıştır. Bu cihazın profesyonel eğitim faaliyetlerinde kullanılması kesinlikle yasaktır.

TÜKETİCİ GARANTİ BİLGİSİ

İşbu Thrustmaster ürünü, malzeme ve işçilik hatalarına karşı, müşterinin kusurlu ürünün ücretinin iade edilmesi veya değiştirilmesi talebinde bulunabileceği süreye karşılık gelen garanti süresince dünya çapında tescil edilmiş merkezi Place du Granier, B.P. 97143, 35571 Chantepie, Fransa'da bulunan Guillemot Corporation S.A. (bundan sonra "Guillemot" olarak ifade edilecektir) garantisini altındadır. Avrupa Birliği ülkelerinde bu süre, Thrustmaster ürününün tesliminden itibaren iki (2) seneye karşılık gelir. Diğer ülkelerde garanti süresi, Thrustmaster ürünü ile ilgili olarak, Thrustmaster ürününün satın alındığı tarihte müşterinin ikamet ettiği ülkede geçerli yasalara uygun şekilde, müşterinin kusurlu ürünün ücretinin iade edilmesi veya değiştirilmesi talebinde bulunabileceği süreye karşılık gelir (İlgili ülkede bu tür bir düzenleme mevcut değilse garanti süresi Thrustmaster ürününün satın alındığı asıl tarihten itibaren bir (1) yıl olacaktır).

Garanti süresi içinde üründe hata veya kusur tespit edilmesi durumunda derhal izlenecek yöntem ile ilgili size bilgi verecek olan Teknik Destek servisimize başvurun. Hata veya kusur onaylanırsa ürünün satın alındığı yere (ya da Teknik Destek servisi tarafından belirtilen yere) iade edilmesi gerekmektedir.

İşbu garanti kapsamında müşterinin kusurlu ürünü, Teknik Destek servisinin insiyatifine bağlı olarak, değiştirilecek veya çalışır hale getirilecektir. Garanti süresince Thrustmaster ürününün onarım işlemine tabi tutulması durumunda, ürünün kullanım dışı olduğu en az yedi (7) günlük tüm süreler kalan garanti süresine eklenecektir (bu süre, ürünün onarılması için hazır bulundurulduğu tarih müdahale edilmesi için talepte bulunduğu tarihi takip ediyor ise müşterinin müdahale edilmesi için talepte bulunduğu tarihten veya bahse konu ürünün onarılması için hazır bulundurulduğu tarihten başlar). Yürürlükte olan yasaların izin verdiği durumlarda, Guillemot ve bağlılarının tüm sorumluluğu (dolaylı hasarlar da dahil olmak üzere) Thrustmaster ürününün çalışır hale getirilmesi veya değiştirilmesi ile sınırlıdır. Yürürlükte olan yasaların izin vermesi halinde Guillemot, ticarete elverişlilik veya belirli bir amaca uygunluk ile ilgili tüm garantileri reddeder.

İşbu garanti aşağıdaki durumlar için geçerli değildir: (1) Ürün modifiye edilmişse, açılmışsa, üzerinde değişiklik yapılmışsa, uygunsuz veya kötü kullanım, ihmal, kaza, normal aşınma ya da malzeme veya üretim hatası ile ilgili olmayan nedenlerden dolayı hasar görmüşse (ancak bununla sınırlı kalmamak üzere, Thrustmaster ürününü herhangi uygun bir elemanla birleştirmek, buna dahil olarak özellikle güç kaynakları, yeniden doldurulabilir piller, şarj cihazları veya bu ürün için Guillemot tarafından tedarik edilmemiş tüm diğer elemanlar); (2) ürün, evde kullanım dışında, profesyonel veya ticari maksatlı olanlar da dahil olmak üzere (örneğin oyun salonları, eğitim, yarışlar) başka maksatlarla kullanılmışsa; (3) Teknik Destek servisi tarafından sağlanan talimatlara uyulmamışsa; (4) yazılım için, işbu garanti geçerli değildir, söz konusu yazılım için sağlanan özel garanti hükümlerine tabidir; (5) sarf malzemeleri için (ürünün kullanım süresi içinde değiştirilecek elemanlar: örneğin; tek kullanımlık piller, kulaklık yastıkları); (6) aksesuarlar için (örneğin; kablolar, kılıflar, cepler, çantalar, bileklikler); (7) ürün açık artırma ile satılmışsa. Bu garanti devrolunamaz.

Tüketim mallarının tüketicinin ülkesinde satışına ilişkin tüketicinin yasal hakları işbu garantiden etkilenmemektedir.

Ek garanti hükümleri

Garanti süresince, tüm Thrustmaster ürünlerini açmaya ve/veya onarmaya yetkili tek taraf Teknik Destek Servisi olduğundan prensip olarak Guillemot tarafından hiçbir yedek parça sağlanmayacaktır (Uygulanabilir olması durumunda yazılı talimatlarla ve müşteriye gerekli yedek parça(lar) sağlanarak Teknik Destek Servisinin müşteri tarafından yapılmasını isteyebileceği tüm onarım prosedürleri hariç – örneğin onarım işleminin basit olmasından ve gizlilik içermemesinden dolayı).

İnovasyon döngülerini dikkate almak ve bilgi birikimi ile ticari sınırlarını korumak için Guillemot, prensip olarak garanti süresi dolmuş hiç bir Thrustmaster ürünü için onarım bilgisi veya yedek parça sağlamayacaktır.

Sorumluluk

Yürürlükte olan yasaların izin vermesi halinde, Guillemot Corporation S.A. (bundan sonra "Guillemot" olarak ifade edilecektir) ve bağlıları aşağıdakilerin biri veya daha fazlasından kaynaklanan her türlü hasara karşı tüm sorumluluğu reddeder: (1) Ürün modifiye edilmişse, açılmışsa, üzerinde değişiklik yapılmışsa; (2) montaj talimatlarına uyulmamışsa; (3) uygunsuz veya kötü kullanım, ihmal, kaza (örneğin bir darbe); (4) normal aşınma; (5) ürünün, evde kullanım dışında, profesyonel veya ticari maksatlı olanlar da dahil olmak üzere (örneğin oyun salonları, eğitim, yarışlar) başka maksatlarla kullanılması. Yürürlükte olan yasaların izin vermesi halinde, Guillemot ve bağlıları ürünle ilgili malzeme veya üretim hatası ile ilgili olmayan her türlü hasara karşı tüm sorumluluğu reddeder (ancak bununla sınırlı kalmamak üzere, herhangi bir yazılımdan veya Thrustmaster ürününün herhangi bir uygun olmayan elemanla birleştirilmesinden doğrudan veya dolaylı olarak kaynaklanan tüm hasarlar, buna dahil olarak özellikle güç kaynakları, yeniden doldurulabilir piller, şarj cihazları veya bu ürün için Guillemot tarafından tedarik edilmemiş tüm diğer elemanlar).

THRUSTMASTER®

TEKNİK DESTEK

<https://support.thrustmaster.com>



TELİF HAKKI

©2022 Guillemot Corporation S.A. Tüm hakları saklıdır. Thrustmaster®, Guillemot Corporation S.A.'nın tescilli ticari markasıdır. Guillemot Corporation S.A. tarafından üretilmekte ve dağıtılmaktadır.

AIRBUS, logosu ve ticari ve hizmet markaları Airbus'ın tescilli ticari markalarıdır. Tüm hakları saklıdır.

© Airbus 2022. Tüm hakları saklıdır. Resmi Airbus lisanslı.

Microsoft, Xbox, Xbox "Küre" Tasarımı, Xbox Series X|S, Xbox One ve Windows 10/11 Microsoft şirketler grubunun ticari markalarıdır.

Diğer tüm ticari markalar ile marka adları işbu belgede tanınmış olup ilgili sahiplerine aittir. İçindekiler, tasarım ve teknik özellikler önceden haber vermeksizin değiştirilebilir ve ülkeden ülkeye farklılık gösterebilir. Fotoğraflar ve resimler bağlayıcı değildir. Kuzey Amerika ve Avrupa'da tasarlanmıştır, Çin'de üretilmiştir.

ÇEVRE KORUMA ÖNERİLERİ



* Avrupa Birliği, İngiltere ve Türkiye'de: Cihazın kullanım ömrü sona erdiğinde, standart ev atıkları ile atılmamalı, geri dönüşüm için Atık Elektrikli ve Elektronik Cihazların toplandığı bir yere bırakılmalıdır.

Bu, ürünün, kullanım kılavuzunun veya paketin üzerinde bulunan sembol ile onaylanmıştır.

Özelliklerine bağlı olarak malzemeler geri dönüştürülebilir. Atık Elektrik ve Elektronik Cihazların geri dönüşümü veya diğer işleme yöntemleri sayesinde çevrenin

korunmasına yönelik önemli bir katkıda bulunabilirsiniz. Size en yakın toplama merkezleri hakkında bilgi almak için lütfen yerel yetkililerle iletişime geçin.

Diğer ülkeler için: Lütfen elektrikli ve elektronik cihazların geri dönüşümü için yerel yasalara uyunuz

AEEE Yönetmeliğine Uygundur.

Bu belgeyi saklayın. Renkler ve süslemeler değişiklik gösterebilir.

Plastik tutturucular ve bantlar, kullanmadan önce üründen çıkarılmalıdır.

www.thrustmaster.com

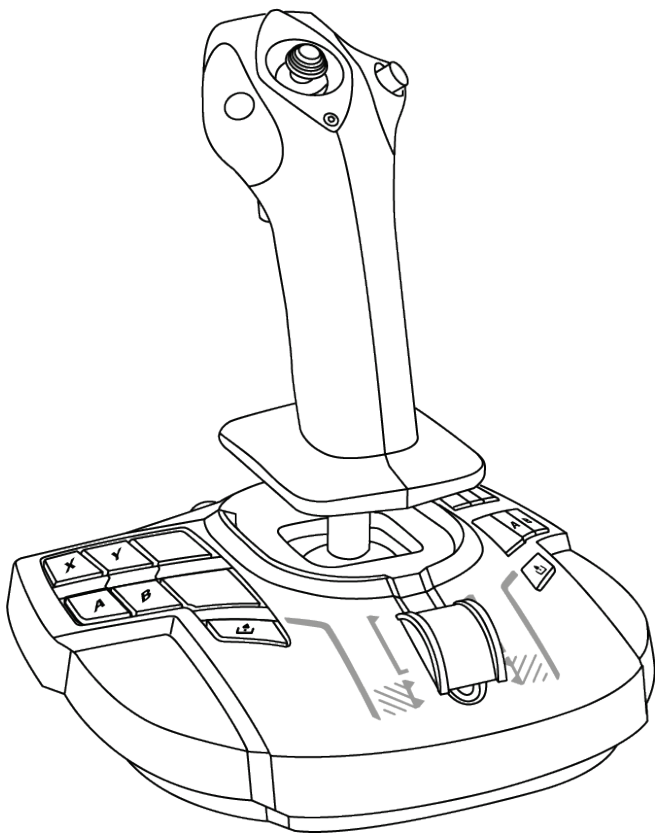
*Sadece AB, İngiltere ve Türkiye için geçerlidir



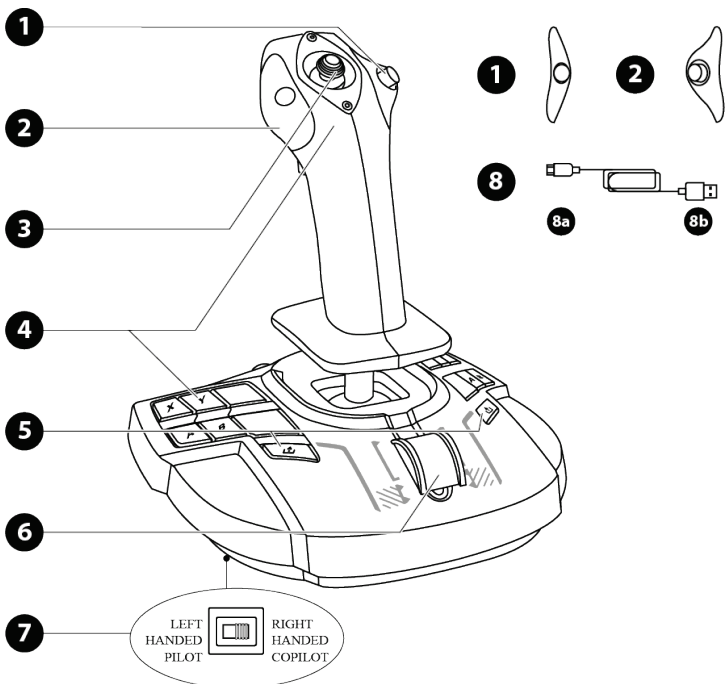
TCA SIDESTICK X AIRBUS EDITION

XBOX SERIES X|S — XBOX ONE — PC

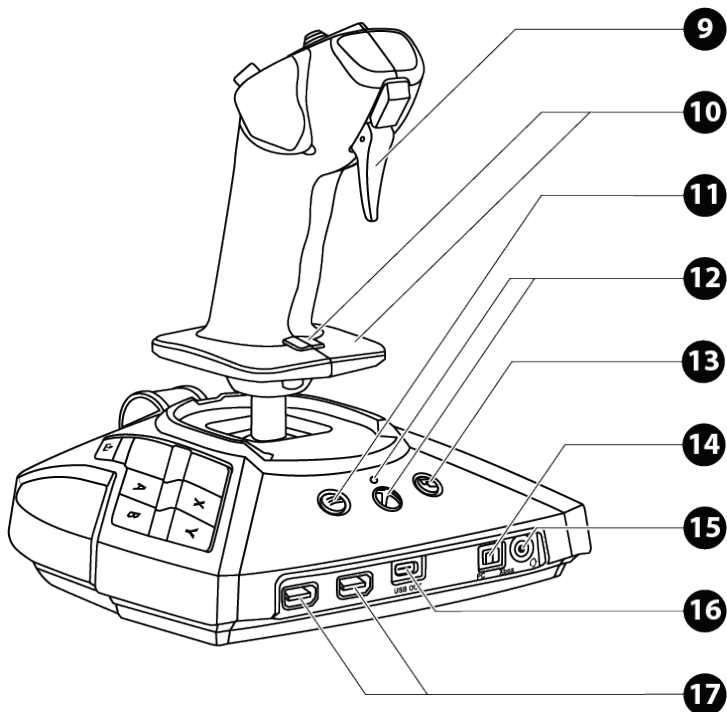
Instrukcja obsługi



ELEMENTY



1. Moduły prawego przycisku
2. Moduły lewego przycisku
3. Wielokierunkowy przełącznik grzybkowy widoku
4. 21 przycisków czynności na konsoli Xbox, 22 przyciski czynności na komputerze PC
5. Przyciski udostępniania (Xbox)
6. Przepustnica + jeden przycisk wirtualny (tylko na komputerze PC)
7. Wybierak: LEFT HANDED — PILOT (tryb leworęczny — kapitan) / RIGHT HANDED — COPILOT (tryb praworęczny — drugi pilot)
8. Kabel USB-C (**8a**) — USB-A (**8b**)



9. Spust cyfrowy
10. Obrotowy uchwyt drążka z podpórką dłoni do manipulowania sterem kierunku + przycisk blokady
11. Przycisk menu (Xbox)
12. Przycisk Xbox + dioda
13. Przycisk podglądu (Xbox)
14. Wybierak Xbox/PC
15. Złącze mikrofonowe minijack 3,5 mm na zestaw słuchawkowy dla graczy*
16. Port USB typu C
17. Porty USB typu A na panel przepustnicy TCA Quadrant Airbus Edition* lub ster kierunku TPR*

*do nabycia osobno

INFORMACJE NA TEMAT JOYSTICKA

WYJĄTKOWA TECHNOLOGIA ZAPEWNIAJĄCA PRECYZJĘ H.E.A.R.T: Halleffect AccuRate Technology

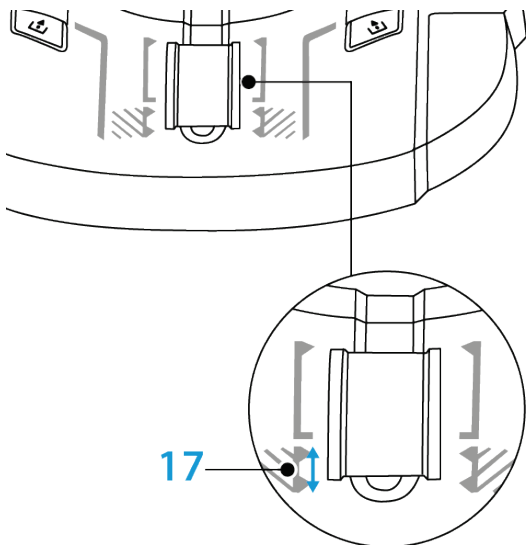
Joystick TCA Sidestick X Airbus Edition jest wyposażony w precyzyjną technologię obejmującą następujące elementy:

- czujniki magnetyczne 3D (hallotronowe) w drążku;
- magnes: brak tarcia zapewniający najwyższą precyzję i zaskakująco szybką reakcję, która nie zmienia się z upływem czasu;
- sprężynę śrubową w drążku (2,8 mm), umożliwiającą pewną, liniową i superpłynną zmianę naprężenia.

PRZEPUSTNICA

Joystick zawiera suwak przepustnicy (6), który umożliwia łatwe sterowanie siłą ciągu silnika samolotu.

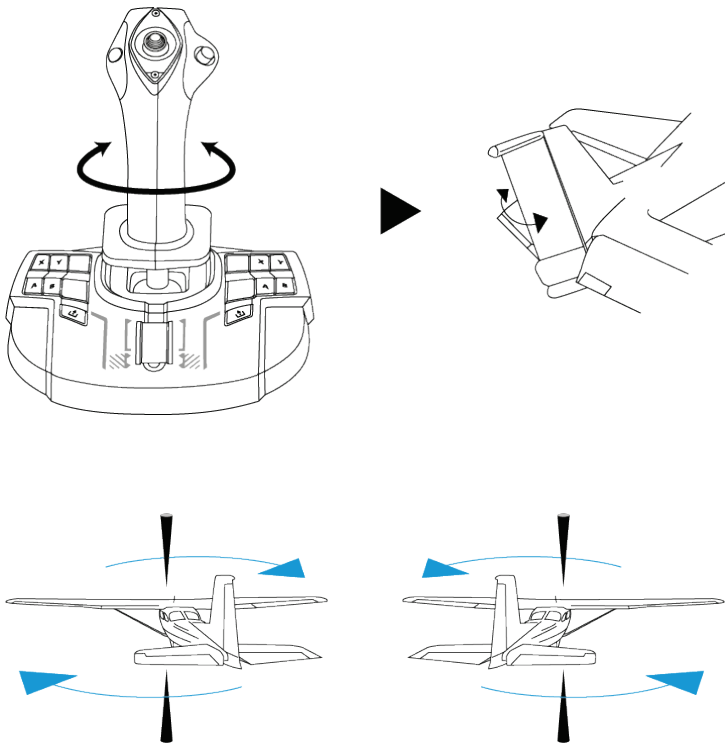
Przez pierwsze 20 procent zakresu ruchu przepustnicy dostępny jest przycisk wirtualny (tylko na komputerze PC — nr 17 na diagramie mapowania dla komputera PC), który umożliwia aktywację odwracaczy ciągu.



FUNKCJA STERU KIERUNKU

Joystick jest wyposażony w funkcję steru kierunku (**10**). W samolocie pilot manipuluje sterem kierunku, aby obracać samolot wokół osi pionowej (powodując jego skręcanie w lewo lub w prawo).

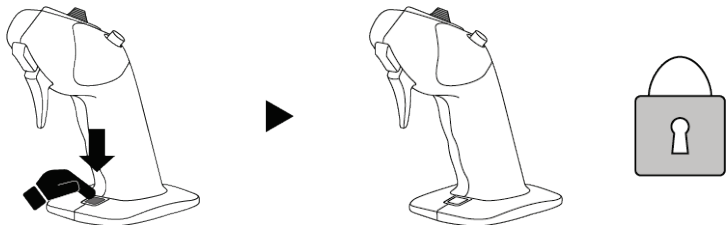
Aby w joysticku użyć funkcji steru kierunku, należy obrócić drążek (czyli skrócić nim) w lewo lub w prawo.



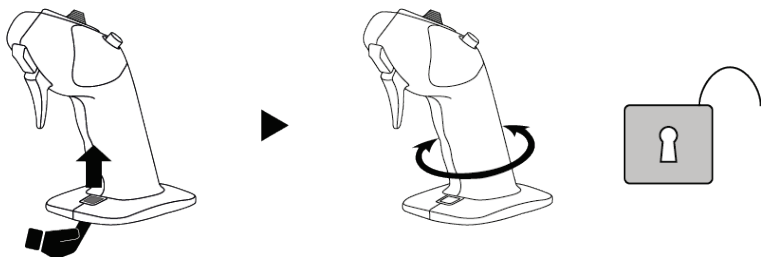
BLOKOWANIE/ODBLOKOWYWANIE FUNKCJI STERU KIERUNKU

Funkcję steru kierunku można wyłączyć przyciskiem blokady umieszczonym za uchwytem joysticka.

Aby zablokować oś steru kierunku, wciśnij ten przycisk.



Aby odblokować oś steru kierunku, przywróć przycisk do górnego położenia.



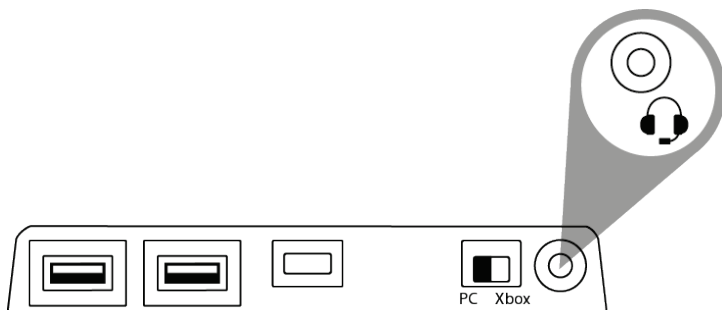
WIELOKIERUNKOWY PRZEŁĄCZNIK GRZYBKOWY WIDOKU

Joystick zawiera przełącznik grzybkowy widoku **(3)**, który umożliwia szybkie wzrokowe sprawdzenie, co dzieje się wokół samolotu (w grach udostępniających taką funkcję). Aby użyć tej funkcji, wejdź do menu konfiguracji gry i przypisz poszczególne widoki (tylny, lewy, prawy oraz widoki zewnętrzne) odpowiednim kierunkom przełącznika widoku.

W razie potrzeby przełącznik grzybkowy widoku można zarezerwować do innych celów (np. do strzelania).

ZŁĄCZE MIKROFONOWE NA ZESTAW SŁUCHAWKOWY DLA GRACZY

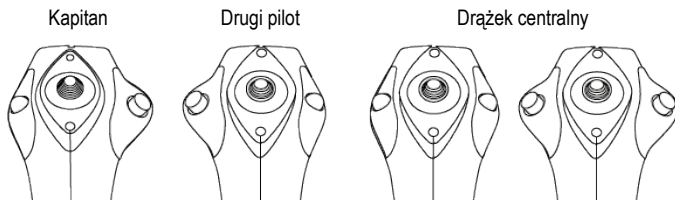
Joystick zawiera złącze mikrofonowe minijack 3,5 mm **(15)**, które umożliwia korzystanie z zestawu słuchawkowego dla graczy z wbudowanym mikrofonem w celu zwiększenia realizmu gry.



UKŁAD OBURĘCZNY I REGULACJA MODUŁÓW

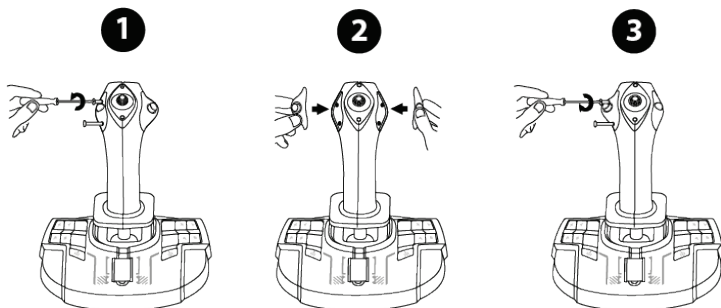
Ważną zaletą joysticka TCA Sidestick X Airbus Edition jest to, że stanowi on urządzenie oburęczne: wszyscy gracze, zarówno prawo-, jak i leworęczni, mogą łatwo przystosować go do swoich potrzeb.

Domyślnie joystick jest skonfigurowany w trybie kapitana. Dostępne są cztery konfiguracje:



Aby zmodyfikować konfigurację joysticka:

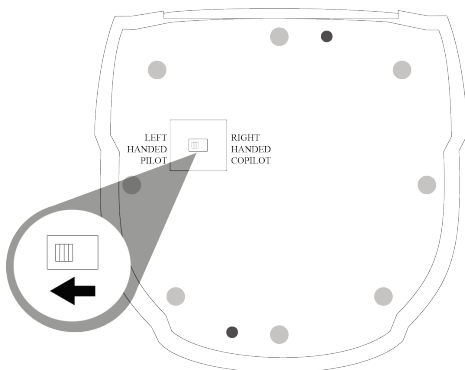
1. Korzystając z niewielkiego śrubokręta, ostrożnie wykręć i wyjmij dwie śruby znajdujące się w każdym module przycisku.
2. Zmień moduły zgodnie z preferowaną konfiguracją.
3. Włóż śruby z powrotem i dobrze je dokręć.



KONFIGUROWANIE DRAŻKA DO TRYBU LEWORĘCZNEGO (KAPITANA)

Aby wskazać, że joystick powinien działać w trybie leworęcznym (kapitana), przed jego podłączeniem ustaw wybierak (7) znajdujący się pod podstawą joysticka w położeniu LEFT HANDED — PILOT.

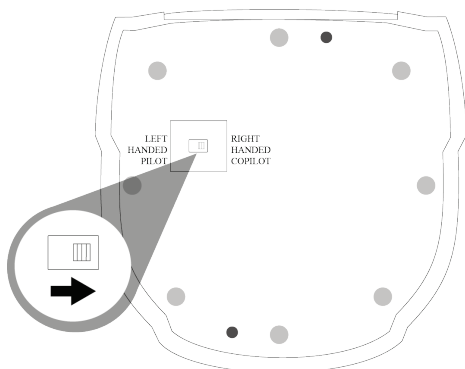
Wówczas urządzenie zostanie rozpoznane jako TCA Sidestick X Pilot.



KONFIGUROWANIE DRAŻKA DO TRYBU PRAWORĘCZNEGO (DRUGIEGO PILOTA)

Aby wskazać, że joystick powinien działać w trybie praworęcznym (drugiego pilota), przed jego podłączeniem ustaw wybierak (7) znajdujący się pod podstawą joysticka w położeniu RIGHT HANDED — COPILOT.

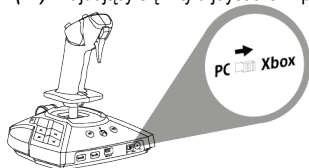
Wówczas urządzenie zostanie rozpoznane jako TCA Sidestick X Copilot.



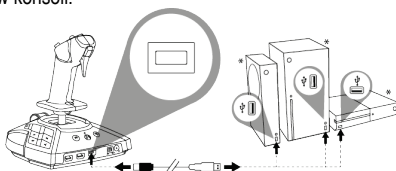
XBOX SERIES X|S / XBOX ONE

INSTALACJA NA KONSOLI XBOX SERIES X|S* / XBOX ONE*

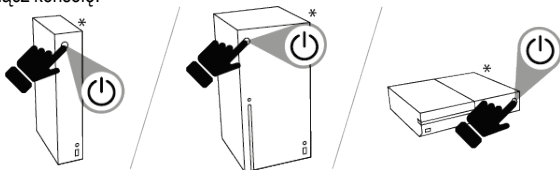
1. Ustaw wybierak **(14)** znajdujący się z tyłu joysticka w położeniu Xbox.



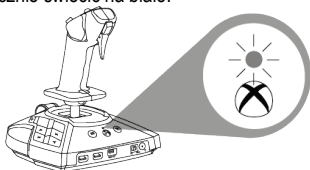
2. Podłącz kabel USB-C — USB-A **(8)** do portu USB typu C **(16)** w joysticku i do portu USB typu A w konsoli.



3. Włącz konsolę.



4. Dioda joysticka zacznie świecić na biało.



5. Uruchom zgodną grę obsługującą tryb dżwka sterowego samolotu.

Teraz możesz zacząć grać!

**do nabycia osobno*

LISTA ZGODNYCH GIER NA XBOX SERIES X|S / XBOX ONE

Na konsolach Xbox Series X|S* / Xbox One* urządzenie TCA Sidestick X Airbus Edition:

- jest zgodne tylko z grami obsługującymi tryb drążka sterowego;
- jest rozpoznawane w grach jako joystick, a nie kontroler typu gamepad, co zapewnia maksymalną czułość i precyzję oraz możliwość korzystania z opcji joysticka dostępnych w tych grach.

Lista gier na Xbox Series X|S / Xbox One zgodnych z joystickiem jest dostępna na stronie <https://support.thrustmaster.com> w sekcji **Joysticks** (Joysticki) / **TCA Sidestick X Airbus Edition**.

Lista jest regularnie uzupełniana wraz z wprowadzaniem nowych gier na Xbox Series X|S / Xbox One zgodnych z urządzeniem TCA Sidestick X Airbus Edition.

**do nabycia osobno*

EN

FR

DE

NL

IT

ES

PT

RU

CS

TR

PL

日本語

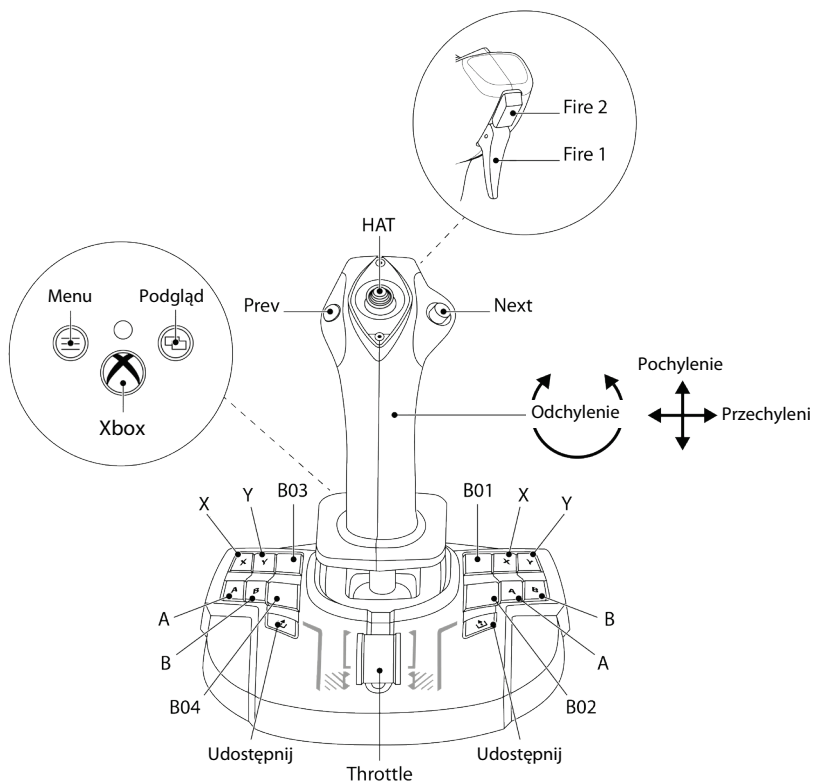
中文

繁體中文

한국어

العربية

MAPOWANIE NA KONSOLI XBOX



TCA SIDESTICK X AIRBUS EDITION — POŁĄCZENIA W PRZYPADKU KONSOLI XBOX SERIES X|S* / XBOX ONE*

Joystick TCA Sidestick X Airbus Edition udostępnia cztery osie, ale z tyłu urządzenia można bezpośrednio podłączyć panel przepustnicy TCA Quadrant Airbus Edition*, moduły TCA Quadrant Add-On Airbus Edition* i układ steru kierunku TPR*.

Wyłącznie na konsoli Xbox Series X|S* / Xbox One* do panelu TCA Quadrant Airbus Edition* można podłączyć drugi panel przepustnicy, co pozwala zarządzać nawet dziewięcioma dodatkowymi osiami za pośrednictwem joysticka.

Na konsoli Xbox Series X|S* / Xbox One* zgodne urządzenia Thrustmaster podłączone za pośrednictwem złącza USB typu A są scalane z urządzeniem TCA Sidestick X Airbus Edition.



Jedynymi urządzeniami obsługiwany na konsoli Xbox Series X|S* / Xbox One* są panel TCA Quadrant Airbus Edition*, moduły TCA Quadrant Add-On Airbus Edition* oraz układy steru kierunku TPR* i TFRP*.

**do nabycia osobno*

EN

FR

DE

NL

IT

ES

PT

RU

CS

TR

PL

日本語

繁體中文

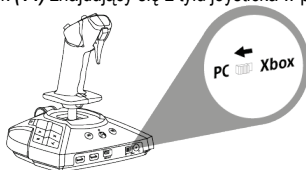
한국어

العربية

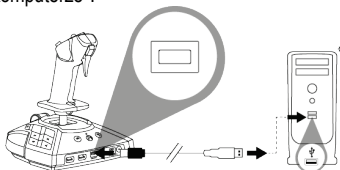
PC

INSTALACJA NA KOMPUTERZE PC*

1. Wejdź na stronę <https://support.thrustmaster.com>. Kliknij **Joysticks** (Joysticki) / **TCA Sidestick X Airbus Edition** i wybierz **Drivers** (Sterowniki). Pobierz i zainstaluj sterownik dla komputera PC i jego specjalny interfejs do Panelu sterowania Windows.
2. Ustaw wybierak **(14)** znajdujący się z tyłu joysticka w położeniu PC.



3. Podłącz kabel USB-C — USB-A **(8)** do portu USB typu C **(16)** w joysticku i do portu USB typu A w komputerze*.



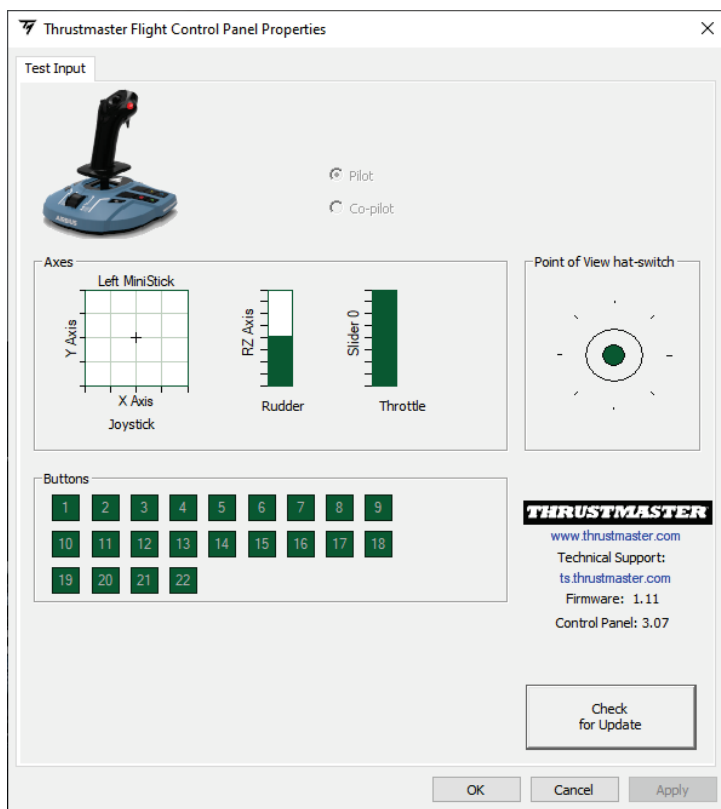
4. Uruchom zgodną grę obsługującą lotnicze urządzenia peryferyjne typu HID.

Teraz możesz zacząć grać!

**do nabycia osobno*

SPECJALNY INTERFEJS

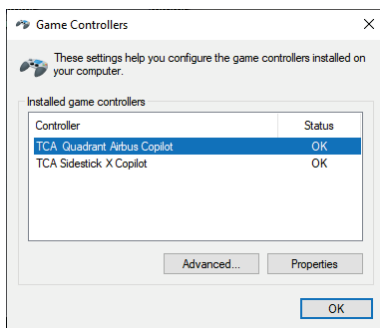
1. Aby uzyskać dostęp do specjalnego interfejsu Panelu sterowania, wybierz **Start / Aplikacje / Thrustmaster / Panel sterowania** (w systemie Windows® 10/11). Wyświetli się okno dialogowe **Kontrolery gier**. Urządzenie będzie widoczne na ekranie pod nazwą **TCA Sidestick X** i ze stanem **OK**.
2. W oknie dialogowym **Kontrolery gier** kliknij **Właściwości**, aby przetestować i wyświetlić wszystkie funkcje.



TCA SIDESTICK X AIRBUS EDITION — POŁĄCZENIA W PRZYPADKU KOMPUTERA PC*

Joystick TCA Sidestick X Airbus Edition udostępnia cztery osie, ale z tyłu urządzenia można bezpośrednio podłączyć panel przepustnicy TCA Quadrant Airbus Edition*, moduły TCA Quadrant Add-On Airbus Edition* i układ steru kierunku TPR*.

Gdy jest podłączony panel TCA Quadrant Airbus Edition* i układ steru kierunku TPR* lub TFRP*, w oknie **Kontrolery gier** są one wyświetlane niezależnie jako urządzenia wirtualne:

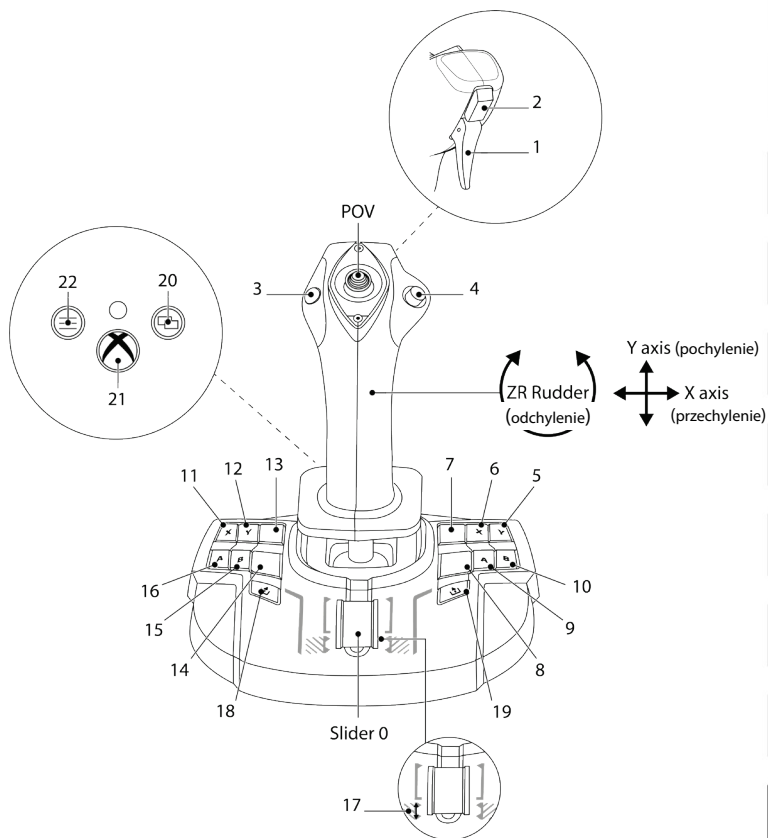


Podłączanie układu steru kierunku TPR* lub TFRP*:

- Aby urządzenia działały prawidłowo, należy zainstalować sterownik.
- Jeśli układ steru kierunku jest podłączony do joysticka lub do panelu przepustnicy podłączonego do joysticka, trzy osie układu steru kierunku są scalane z wirtualnym panelem przepustnicy (TCA Quadrant Airbus Copilot).

**do nabycia osobno*

MAPOWANIE NA KOMPUTERZE PC



EN

FR

DE

NL

IT

ES

PT

RU

CS

TR

PL

日本語

繁體中文

한국어

العربية

INSTALOWANIE JOYSTICKA TCA SIDESTICK X AIRBUS EDITION W POŁĄCZENIU Z PANELEM TCA QUADRANT AIRBUS EDITION* ORAZ UKŁADAMI STERU KIERUNKU TPR* I TFRP*

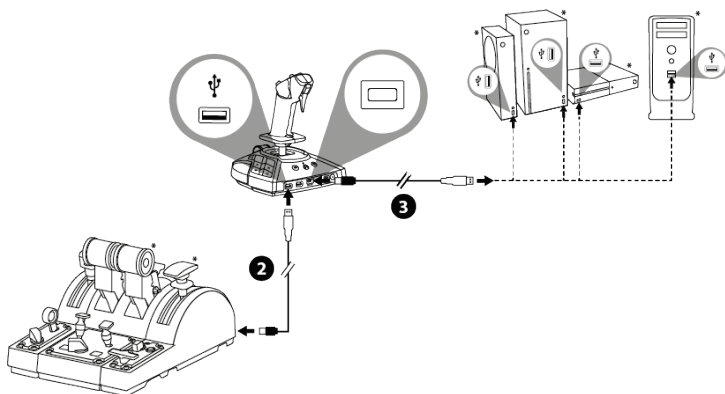
PANEL PRZEPUSTNICY I MODUŁY DODATKOWE

Panel TCA Quadrant Airbus Edition* połączony z modułami TCA Quadrant Add-On Airbus Edition* podłącza się do joysticka.

1. Ustaw wybierak **(14)** znajdujący się z tyłu joysticka w położeniu Xbox lub PC.



2. Podłącz kabel USB-C — USB-A **(8)** do portu USB typu C w panelu przepustnicy i do portu USB typu A **(17)** z tyłu joysticka.
3. Podłącz drugi kabel USB-C — USB-A **(8)** do portu USB typu C **(16)** w joysticku i do portu USB typu A w konsoli lub komputerze PC.



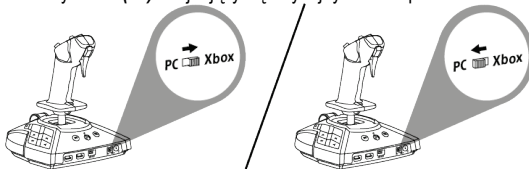
*do nabycia osobno

UKŁAD STERU KIERUNKU

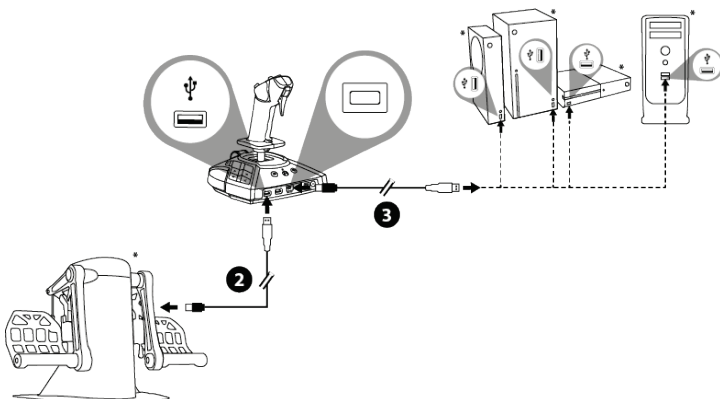
Na potrzeby układów steru kierunku TPR* i TFRP* zarezerwowane są trzy osie.

Układ steru kierunku TPR* podłącza się do joysticka.

1. Ustaw wybierak **(14)** znajdujący się z tyłu joysticka w położeniu Xbox lub PC.



2. Podłącz kabel USB-A — USB-B układu steru kierunku do portu USB typu B w tym układzie i do portu USB typu A **(17)** z tyłu joysticka.
3. Podłącz kabel USB-C — USB-A **(8)** do portu USB typu C **(16)** w joysticku i do portu USB typu A w konsoli lub komputerze PC.

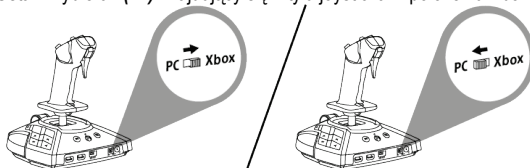


W przypadku konsoli Xbox Series X|S* / Xbox One* nie można podłączyć układu steru kierunku TPR*, jeśli do joysticka TCA Sidestick X Airbus Edition są już podłączone dwa panele przepustnicy TCA Quadrant Airbus Edition*.

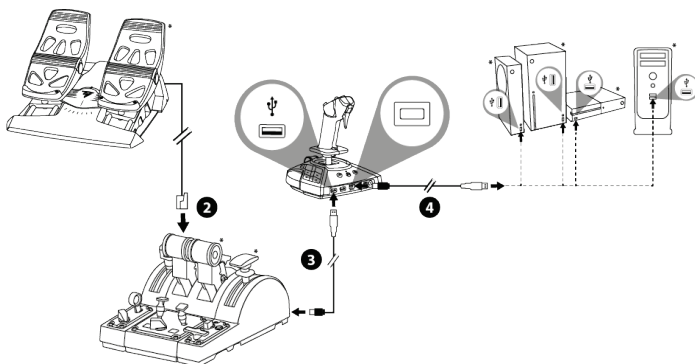
*do nabycia osobno

Układ steru kierunku **TFRP*** podłącza się do panelu przepustnicy TCA Quadrant Airbus Edition* (jeśli jest on używany).

1. Ustaw wybierak **(14)** znajdujący się z tyłu joysticka w położeniu Xbox lub PC.



2. Podłącz złącze RJ12 układu steru kierunku do portu RJ12 znajdującego się z tyłu panelu przepustnicy TCA Quadrant Airbus Edition*.
3. Podłącz kabel USB-C — USB-A **(8)** do portu USB typu C w panelu przepustnicy i do portu USB typu A **(17)** z tyłu joysticka.
4. Podłącz drugi kabel USB-C — USB-A **(8)** do portu USB typu C **(16)** w joysticku i do portu USB typu A w konsoli lub komputerze PC.



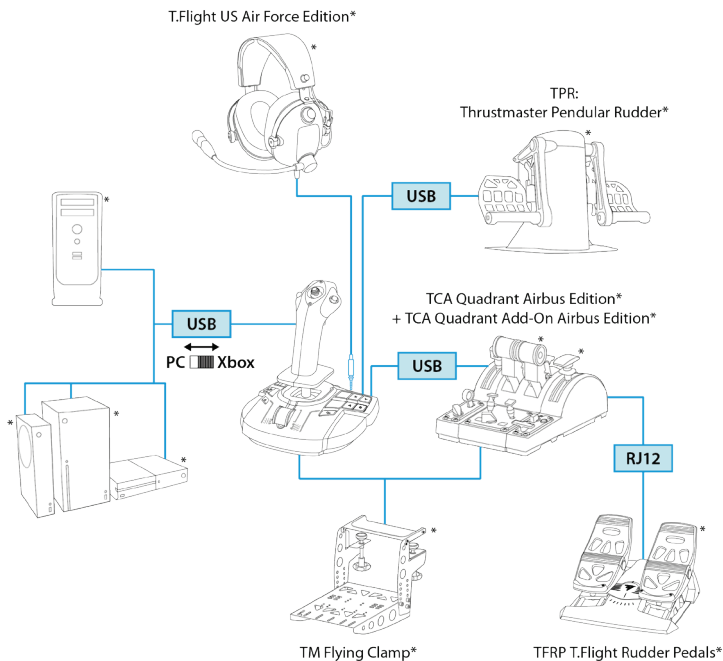
Automatyczna kalibracja osi:

- W przypadku podłączania układu steru kierunku do joysticka lub panelu przepustnicy dopilnuj, aby oś steru kierunku znajdowała się w położeniu środkowym. Nie stawiaj stóp na pedałach steru kierunku.
- Trzy osie pedałów, czyli oś steru kierunku i osie dwóch hamulców różnicowych, kalibrują się automatycznie po kilku ruchach i po osiągnięciu fizycznych blokad każdej z osi.

**do nabycia osobno*

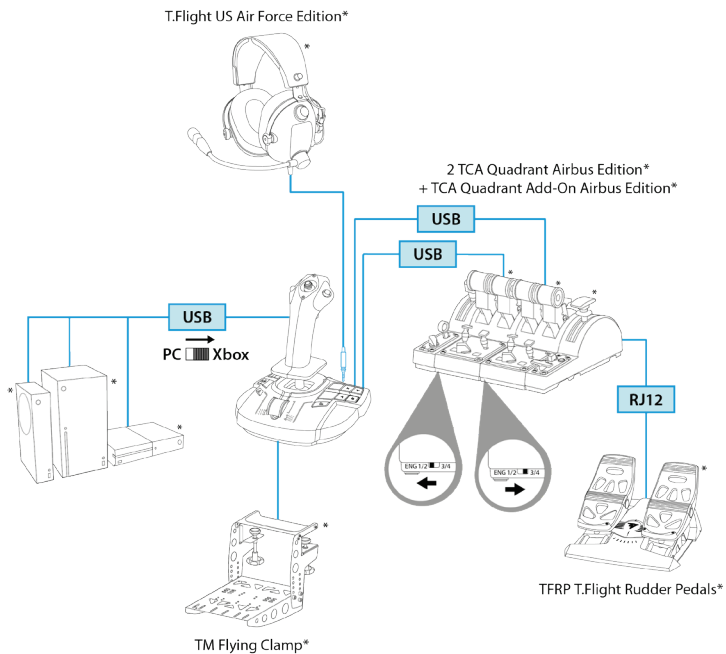
ŁĄCZENIE JOYSTICKA TCA SIDESTICK X AIRBUS EDITION ZE WSZYSTKIMI ZGODNYMI URZĄDZENIAMI

XBOX SERIES X|S – XBOX ONE – PC



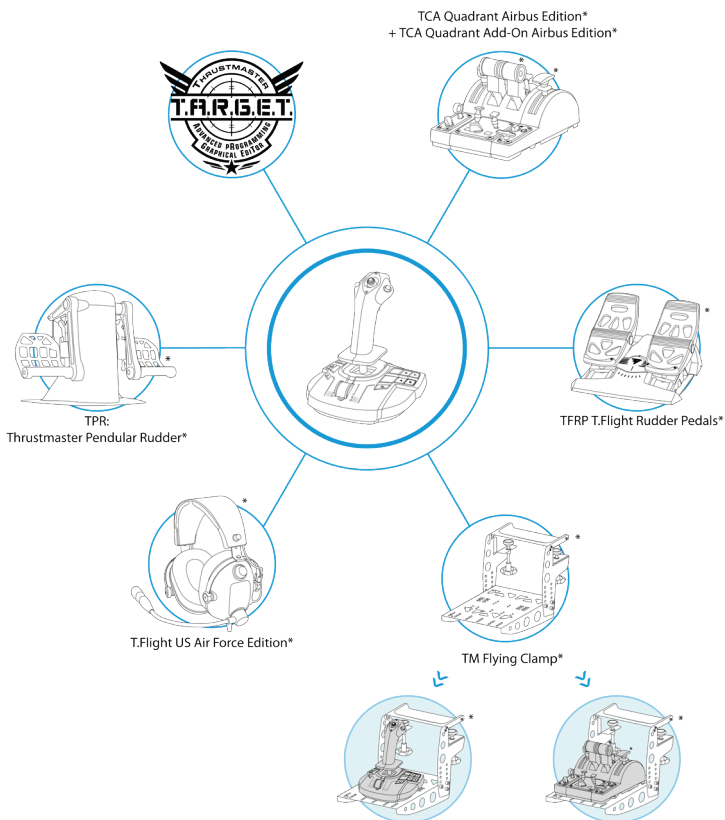
*do nabycia osobno

XBOX SERIES X|S – XBOX ONE



*do nabycia osobno

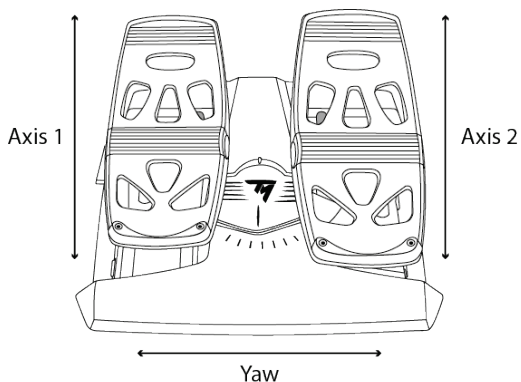
EKOSYSTEM TCA



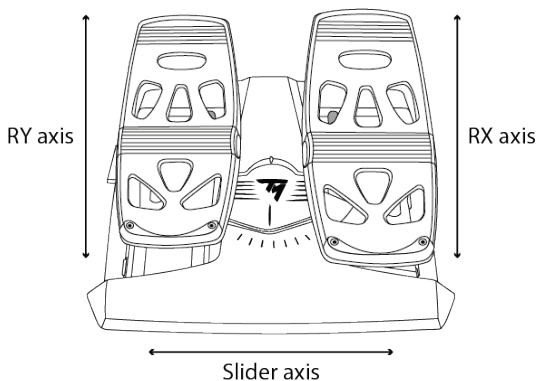
*do nabycia osobno

MAPOWANIE UKŁADU STERU KIERUNKU TFRP* PODŁĄCZONEGO DO JOYSTICKA TCA SIDESTICK X AIRBUS EDITION ZA POŚREDNICTWEM PANELU TCA QUADRANT AIRBUS EDITION*

MAPOWANIE NA KONSOLI XBOX



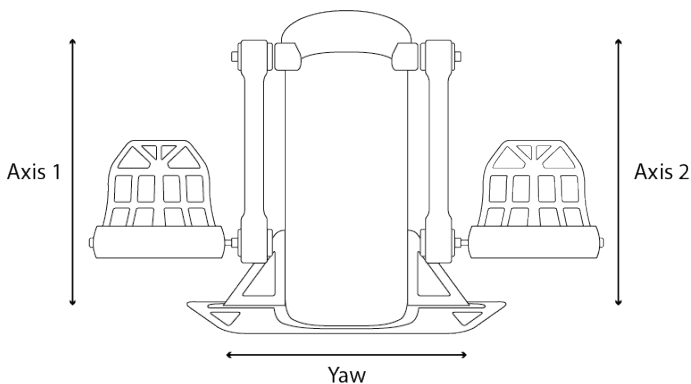
MAPOWANIE NA KOMPUTERZE PC



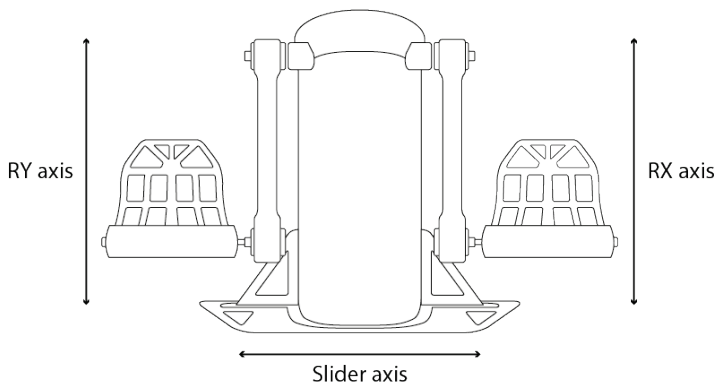
**do nabycia osobno*

MAPOWANIE UKŁADU STERU KIERUNKU TPR* PODŁĄCZONEGO DO JOYSTICKA TCA SIDESTICK X AIRBUS EDITION

MAPOWANIE NA KONSOLI XBOX



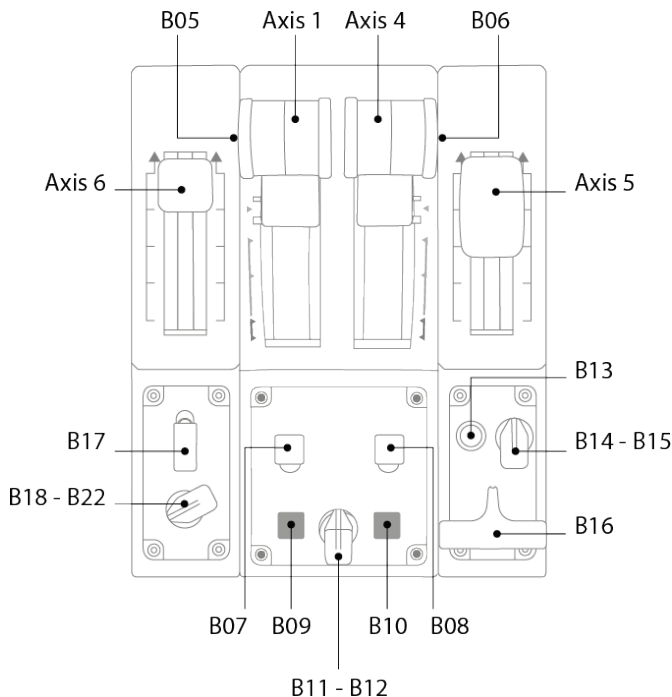
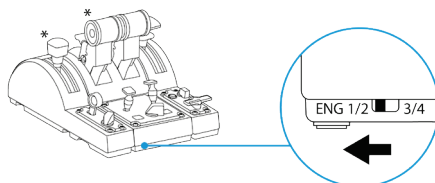
MAPOWANIE NA KOMPUTERZE PC



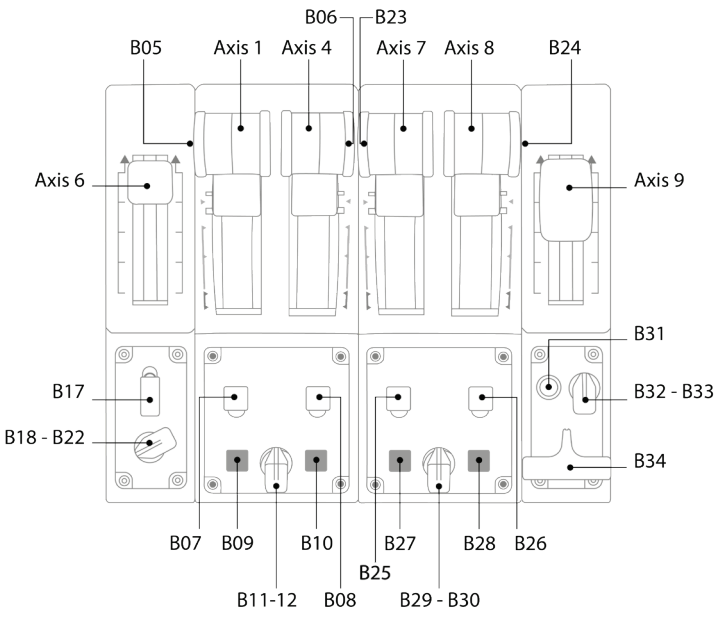
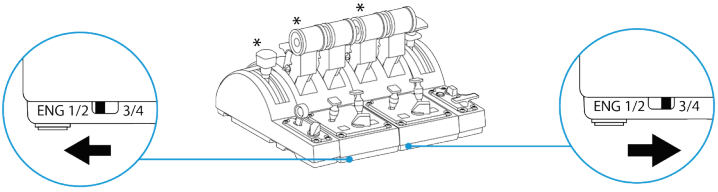
*do nabycia osobno

MAPOWANIE PANELU TCA QUADRANT AIRBUS EDITION* I MODUŁÓW TCA QUADRANT ADD-ON AIRBUS EDITION* PODŁĄCZONYCH DO JOYSTICKA TCA SIDESTICK X AIRBUS ÉDITION

MAPOWANIE NA KONSOLI XBOX

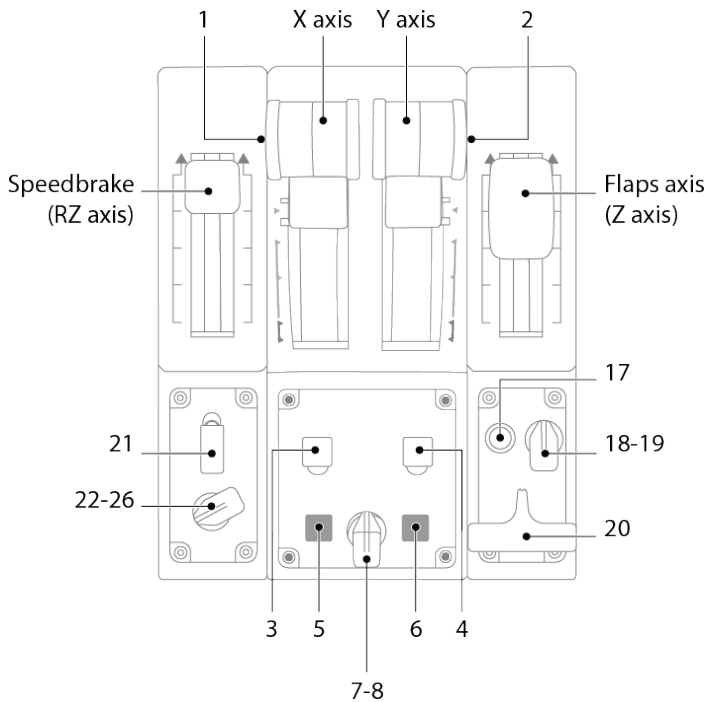
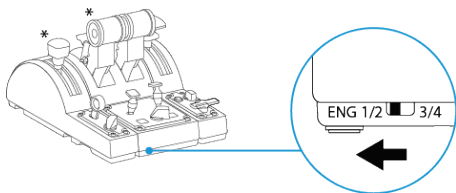


*do nabycia osobno



**do nabycia osobno*

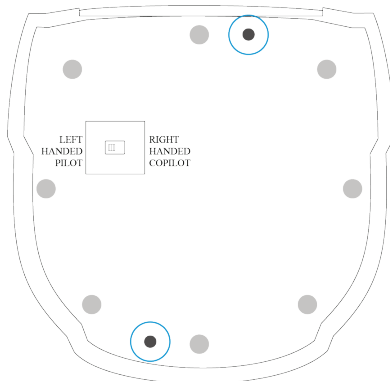
MAPOWANIE NA KOMPUTERZE PC



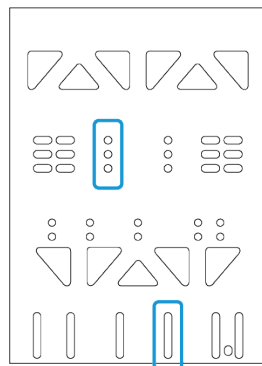
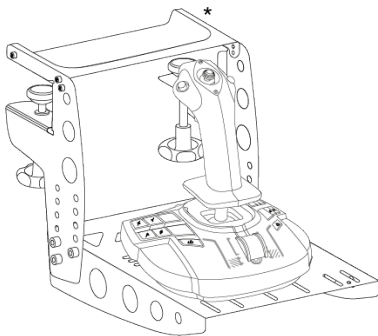
**do nabycia osobno*

INSTALOWANIE JOYSTICKA TCA SIDESTICK X AIRBUS EDITION NA ZACISKU TM FLYING CLAMP*, W KOKPICIE LUB NA INNEJ NIERUCHOMEJ PODPORZE

Dwa otwory umieszczone na spodzie joysticka TCA Sidestick X Airbus Edition umożliwiają jego zamocowanie do nieruchomej podpory przy użyciu śrub M6 (do nabycia osobno).



INSTALOWANIE JOYSTICKA TCA SIDESTICK X AIRBUS EDITION NA ZACISKU TM FLYING CLAMP*:



*do nabycia osobno

AKTUALIZOWANIE OPROGRAMOWANIA SPRZĘTOWEGO JOYSTICKA TCA SIDESTICK X AIRBUS EDITION

Oprogramowanie sprzętowe zawarte w joysticku można zaktualizować, aby móc korzystać z ulepszeń produktu.

Aby wyświetlić wersję oprogramowania sprzętowego joysticka i w razie potrzeby ją zaktualizować, na komputerze wejdź na stronę <https://support.thrustmaster.com>. Kliknij **Joysticks** (Joysticki) / **TCA Sidestick X Airbus Edition** / **Firmware** (Oprogramowanie sprzętowe), a następnie postępuj zgodnie z instrukcjami oraz procedurami pobierania i instalacji.



Jedynymi obsługiwanyymi urządzeniami są panel przepustnicy TCA Quadrant Airbus Edition* w połączeniu z modułami TCA Quadrant Add-On Airbus Edition* oraz układy steru kierunku TPR* i TFRP*.

Teraz możesz zacząć grać!

**do nabycia osobno*

ZAAWANSOWANA APLIKACJA DO PROGRAMOWANIA T.A.R.G.E.T (Thrustmaster Advanced pROgramming Graphical EdiTOR)

T.A.R.G.E.T (Thrustmaster Advanced pROgramming Graphical EdiTOR) to innowacyjny, bardzo zaawansowany pakiet oprogramowania, za pomocą którego można rozszerzać możliwości większości kontrolerów lotniczych Thrustmaster i udostępniać profile ustawień w ramach społeczności Thrustmaster.

POBIERANIE APLIKACJI T.A.R.G.E.T

Wejść na stronę <https://support.thrustmaster.com>. Kliknij **Joysticks** (Joysticki) / **TCA Sidestick X Airbus Edition**, a następnie wybierz **Software** (Oprogramowanie). Pobierz i zainstaluj zaawansowaną aplikację do programowania T.A.R.G.E.T.

GŁÓWNE CECHY I FUNKCJE APLIKACJI T.A.R.G.E.T:

- Różne konfiguracje osi
- Różne poziomy programowania: Basic, Advanced i Script
- Korzystanie z techniki przeciągania i upuszczania
- Możliwość łączenia joysticka TCA Sidestick X Airbus Edition z innymi joystickami Thrustmaster (Hotas Cougar*, Hotas Warthog*, T.16000M*, MFD Cougar Pack* — również zgodnymi z aplikacją T.A.R.G.E.T), dzięki czemu są one rozpoznawane jako jedno urządzenie USB
- Dostęp do zaawansowanych profili tworzonych przez członków społeczności Thrustmaster



**do nabycia osobno*

WAŻNE UWAGI

Podczas podłączania joysticka zawsze zostawiaj drążek oraz ster kierunku w położeniu środkowym i nie poruszaj nimi, aby uniknąć problemów z kalibracją.

ROZWIĄZYWANIE PROBLEMÓW I OSTRZEŻENIA

Joystick nie działa prawidłowo lub wydaje się niewłaściwie skalibrowany.

- Przed podłączeniem kabla USB do konsoli lub komputera sprawdź, czy wybierak **(14)** jest ustawiony we właściwym położeniu (Xbox lub PC).
- Wyłącz konsolę lub komputer, odłącz joystick, podłącz go ponownie, a następnie uruchom ponownie grę.
- Podczas podłączania joysticka pozostaw drążek oraz ster kierunku w położeniu środkowym i nie poruszaj nimi, aby uniknąć problemów z kalibracją.

Nie mogę skonfigurować joysticka.

- W dostępnym w grze menu **Opcje/Kontroler/Gamepad/Joystick** wybierz odpowiednią konfigurację lub całkowicie przekonfiguruj opcje kontrolera.
- Więcej informacji znajdziesz w instrukcji obsługi gry lub jej pomocy online.

Joystick jest zbyt czuły lub niewystarczająco czuły.

- Joystick TCA Sidestick X Airbus Edition kalibruje się automatycznie po wykonaniu kilku ruchów wzdłuż poszczególnych osi.
- W dostępnym w grze menu **Opcje/Kontroler/Gamepad/Joystick** ustaw odpowiednią czułość i strefy martwe kontrolera (jeśli takie opcje są dostępne).

Złącze mikrofonowe joysticka TCA Sidestick X Airbus Edition nie działa prawidłowo.

- Joystick TCA Sidestick X Airbus Edition zawiera urządzenie audio USB. Gdy po raz pierwszy podłączasz urządzenie audio USB do systemu Windows, domyślna głośność wszystkich mikrofonów jest ustawiona na zero.
- Aby rozwiązać ten problem, przejdź do ustawień audio systemu Windows dotyczących złącza mikrofonowego urządzenia TCA Sidestick X Airbus Edition i ustaw poziom dźwięku na 100%.

Na komputerze PC podłączone urządzenia nie działają prawidłowo.

- Zainstaluj sterownik PC. Wejdź na stronę <https://support.thrustmaster.com>. Kliknij **Joysticks** (Joysticki) / **TCA Sidestick X Airbus Edition** i wybierz **Drivers** (Sterowniki). Pobierz i zainstaluj sterownik dla komputera PC i jego specjalny interfejs do Panelu sterowania Windows.



To urządzenie jest przeznaczone wyłącznie do grania w celach rozrywkowych. Jego używanie do szkoleń o charakterze zawodowym jest surowo zabronione.

INFORMACJE DOTYCZĄCE GWARANCJI DLA KLIENTA

Firma Guillemot Corporation S.A. z siedzibą pod adresem Place du Granier, B.P. 97143, 35571 Chantepie, Francja („Guillemot”) udziela klientowi obowiązującej na całym świecie gwarancji, że niniejszy produkt Thrustmaster będzie wolny od wad materiałowych i produkcyjnych przez okres gwarancji równy limitowi czasu, w którym klient może występować z roszczeniami z tytułu wad niniejszego produktu. W krajach Unii Europejskiej jest to okres dwóch (2) lat od dostarczenia produktu Thrustmaster. W innych krajach okres gwarancji jest równy limitowi czasu, w którym klient może występować z roszczeniami z tytułu wad produktu Thrustmaster zgodnie z przepisami obowiązującymi w kraju, w którym klient mieszkał w dniu zakupu produktu Thrustmaster. (Jeśli przepisy danego kraju nie przewidują występowania z takimi roszczeniami, okres gwarancji będzie wynosił jeden (1) rok od pierwotnej daty zakupu produktu Thrustmaster).

Jeśli w okresie gwarancji wystąpią objawy mogące świadczyć o wadzie produktu, należy niezwłocznie skontaktować się z działem pomocy technicznej, który wskaże dalszy sposób postępowania. W razie potwierdzenia wady produkt należy zwrócić w punkcie zakupu (lub innym miejscu wskazanym przez dział pomocy technicznej).

W ramach niniejszej gwarancji wadliwy produkt zostanie wymieniony lub przywrócony do stanu sprawności użytkowej, zgodnie z decyzją działu pomocy technicznej. Jeśli w okresie gwarancji produkt Thrustmaster zostanie poddany czynnościom mającym na celu przywrócenie go do stanu użytkowego, dowolny okres co najmniej siedmiu (7) dni, podczas których produkt nie jest użytkowany, zostanie dodany do pozostałego okresu gwarancji (okres ten liczy się od dnia, w którym klient poprosi o interwencję, lub od dnia, w którym dany produkt zostanie udostępniony celem przywrócenia do stanu użytkowego, jeśli data udostępnienia celem przywrócenia do stanu użytkowego następuje po dacie prośby o interwencję). Jeśli zezwala na to obowiązujące prawo, całkowita odpowiedzialność firmy Guillemot i jej podmiotów zależnych (łącznie z odpowiedzialnością za szkody wtórne) ogranicza się do przywrócenia do stanu użytkowego lub wymiany produktu Thrustmaster. Jeśli zezwala na to obowiązujące prawo, firma Guillemot wyłącza wszelkie gwarancje pokupności i przydatności do określonego celu.

Niniejsza gwarancja nie obowiązuje: (1) w przypadku, gdy produkt został zmodyfikowany, otwarty, zmieniony albo uszkodzony na skutek nieodpowiedniego lub nadmiernego użytkowania, niedbałości, wypadku, normalnego zużycia lub z innego powodu niezwiązanego z wadą materiałową ani produkcyjną (w tym między innymi z powodu połączenia produktu Thrustmaster z nieodpowiednim elementem, w tym w szczególności z zasilaczem, akumulatorem, ładowarką lub jakimkolwiek innym elementem niedostarczonym przez firmę Guillemot dla tego produktu); (2) w przypadku używania produktu w sposób inny niż użytek domowy, w tym do celów zawodowych lub komercyjnych (na przykład w salonach gier albo do prowadzenia szkoleń lub zawodów); (3) w razie nieprzestrzegania instrukcji podanych przez dział pomocy technicznej; (4) w odniesieniu do oprogramowania, jako że oprogramowanie to jest objęte odrębną szczegółową gwarancją; (5) w odniesieniu do materiałów eksploatacyjnych (elementów wymienianych w czasie eksploatacji produktu, na przykład baterii jednorazowych, muszli/nakładek na uszy do zestawów słuchawkowych lub słuchawek); (6) w odniesieniu do akcesoriów (na przykład kabli, pokrowców, etui, torebek, pasków na rękę); (7) w przypadku sprzedania produktu na aukcji publicznej.

Niniejsza gwarancja nie podlega przeniesieniu.
Niniejsza gwarancja nie wpływa na prawa klienta wynikające z przepisów dotyczących sprzedaży dóbr konsumenckich w kraju klienta.

Dodatkowe postanowienia gwarancyjne

W okresie gwarancji firma Guillemot zasadniczo nie udostępnia jakichkolwiek części zamiennych, ponieważ jedynym podmiotem upoważnionym do otwarcia jakiegokolwiek produktu Thrustmaster i/lub przywrócenia go do stanu użytkowego jest dział pomocy technicznej (oprócz ewentualnych procedur przywracania produktu do stanu użytkowego, o wykonanie których dział pomocy technicznej może poprosić klienta przez przekazanie pisemnych instrukcji — np. ze względu na prostotę i jawność procesu przywracania do stanu użytkowego — oraz, w razie potrzeby, przez udostępnienie klientowi wymaganych części zamiennych).

Ze względu na realizowane cykle innowacji oraz konieczność zapewnienia ochrony swojej specjalistycznej wiedzy i tajemnic handlowych firma Guillemot zasadniczo nie udostępnia powiadomień dotyczących przywracania do stanu użytkowego ani części zamiennych w przypadku produktów Thrustmaster, których okres gwarancji upłynął.

Odpowiedzialność

Jeśli zezwala na to obowiązujące prawo, firma Guillemot Corporation S.A. („Guillemot”) i jej podmioty zależne nie ponoszą żadnej odpowiedzialności za szkody spowodowane przez co najmniej jeden z następujących czynników: (1) modyfikację lub otwarcie produktu bądź wprowadzenie w nim zmian; (2) nieprzestrzeganie instrukcji montażu; (3) nieodpowiednie lub nadmierne użytkowanie, niedbałość, wypadek (na przykład uderzenie); (4) normalne zużycie; (5) używanie produktu w sposób inny niż użytek domowy, w tym do celów zawodowych lub komercyjnych (na przykład w salonach gier albo do prowadzenia szkoleń lub zawodów). Jeśli zezwala na to obowiązujące prawo, firma Guillemot i jej podmioty zależne nie ponoszą żadnej odpowiedzialności za szkody niezwiązane z wadą materiałową lub produkcyjną produktu (w tym między innymi za szkody spowodowane bezpośrednio lub pośrednio przez jakiegokolwiek oprogramowanie lub na skutek połączenia produktu Thrustmaster z nieodpowiednim elementem, w tym w szczególności z zasilaczem, akumulatorem, ładowarką lub jakimkolwiek innym elementem niedostarczonym przez firmę Guillemot dla tego produktu).

THRUSTMASTER®

WSPARCIE TECHNICZNE

<https://support.thrustmaster.com>



PRAWA AUTORSKIE

©2022 Guillemot Corporation S.A. Wszelkie prawa zastrzeżone. Thrustmaster® jest zastrzeżonym znakiem towarowym firmy Guillemot Corporation S.A. Produkt wytwarzany i dystrybuowany przez firmę Guillemot Corporation S.A.

AIRBUS, powiązane logo oraz znaki towarowe i znaki usług są zastrzeżonymi znakami towarowymi firmy Airbus. Wszelkie prawa zastrzeżone. © Airbus 2022. Wszelkie prawa zastrzeżone. Produkt na oficjalnej licencji firmy Airbus.

Microsoft, Xbox, wzór „kuli” Xbox, Xbox Series X|S, Xbox One i Windows 10/11 są znakami towarowymi grupy firm Microsoft.

Wszystkie inne znaki towarowe i nazwy marek są za takie uznawane i stanowią własność odpowiednich podmiotów. Zawartość, wzór i dane techniczne mogą ulec zmianie bez powiadomienia i różnić się w zależności od kraju. Zdjęcia i ilustracje nie są wiążące prawnie. Zaprojektowano w Ameryce Północnej i Europie, wyprodukowano w Chinach

ZALECENIE DOTYCZĄCE OCHRONY ŚRODOWISKA



Na terenie Unii Europejskiej, Wielkiej Brytanii i Turcji: gdy okres przydatności * produktu do eksploatacji dobiegnie końca, produktu nie należy pozbywać się wraz ze zwykłymi odpadami z gospodarstwa domowego, ale oddać do recyklingu w punkcie zbiórki zużytego sprzętu elektrycznego i elektronicznego. Potwierdza to symbol znajdujący się na produkcie, w instrukcji obsługi lub na opakowaniu.

Zależnie od swoich właściwości materiały zawarte w produkcie mogą nadawać się do recyklingu. Dzięki recyklingowi i innym formom utylizacji zużytych urządzeń elektrycznych i elektronicznych klient może w znacznym stopniu przyczynić się do

ochrony środowiska. Aby uzyskać informacje o najbliższych punktach zbiórki odpadów, należy skontaktować z miejscowymi władzami.

We wszystkich innych krajach: należy przestrzegać miejscowych przepisów dotyczących recyklingu sprzętu elektrycznego i elektronicznego.

Niniejsze informacje należy zachować. Kolorystyka i elementy ozdobne mogą różnić się od przedstawionych.

Przed korzystaniem z produktu należy zdjąć z niego plastikowe elementy mocujące oraz naklejki.

www.thrustmaster.com

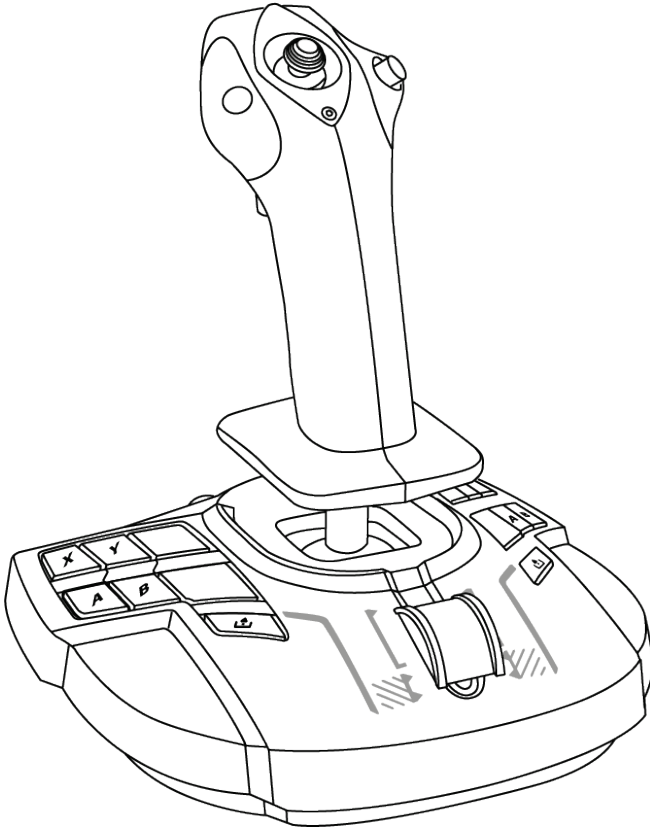
*Dotyczy wyłącznie UE, Wielkiej Brytanii i Turcji



TCA SIDESTICK X AIRBUS EDITION

XBOX SERIES X|S - XBOX ONE - PC

ユーザーズマニュアル



保証規定

※ 本製品を使用される前に必ずお読みください。

この度は、本製品をお買い上げいただき誠にありがとうございます。以下の保証規定をお読みいただき内容を同意の上、本製品をご使用ください。

初期不良期間はお買い上げ日から1週間とさせていただきます。
保証期間はお買い上げ日から1年間です。

注意：

個人売買（インターネット等）で購入された際の購入日は、保証開始日として起算できません。社会的信用のある販売店でのご購入時のみ、購入日を保証開始日としますので、個人売買の場合は、商品の発売日から保証開始日として起算させていただきます。

製品がユーザーマニュアル記載の通常の使用法により正常に動作しなくなった場合は、弊社の判断で無償にて交換／修理いたします。完売等の場合は同等品と無償で交換いたします。交換の場合、お客様からお送りいただいた製品等は返却いたしかねます。また、修理の際に取り外した部品等も返却いたしかねます。

保証期間内でも、次の場合は保証が受けられません。

1. 弊社製品と判断出来ない場合。
2. ハードウェア自身の消耗に起因する故障または損傷（本製品は性質上、物理的な機構の耐久性能に依存する製品寿命がございます）。
3. 火災、地震、水害、落雷、ガス害、塩害、その他の天災地変、公害や異常電圧による故障または損傷。
4. お買い上げ後の輸送、移動時の落下などお取り扱いが不適当なため生じた故障・損傷。
5. ご使用時の不備あるいは接続している他の機器によって生じた故障または損傷。
6. ユーザーマニュアルの記載内容に反するお取り扱いによって生じた故障または損傷。
7. 弊社以外で改造、調整、部品交換などをされた場合。
8. 本製品の故障に起因するデータ損失などの付随する損害に関しては一切保証できません。
9. ご使用環境との相性問題に関しての返品、返金等。
10. ゲームソフトとの相性問題に関しての返品、返金等。
11. 一般家庭以外（例えば業務用）でのご使用による故障、損傷または不具合。
12. その他、弊社が、交換を認め難い不適切な行為があると判断した場合。
13. 購入日が確認できるレシートがない場合。

カスタマーサポート

本製品に異常を感じられた場合は、すぐに使用を中止し、カスタマーサポートへご相談ください。

■保証を受ける際に用意するもの

購入店と購入した日付が分かる書類(購入時のレシート、保証書シール、保証書レシート、通販の代引伝票など)が必要となります。

それらは決して捨てたりせずに大切に保管してください。

ご購入日付を証明する書類をご呈示いただけない場合、保証期間内であっても有償での修理対応となりますので、あらかじめご了承ください。

又、保証を受ける権利はご購入者以外(保証の譲渡)が所有する事はできません。

■ご送付についてのご案内

本製品に異常が発生した場合、カスタマーサポートにご相談頂いた後に、本製品をカスタマーサポートまでご送付いただく場合がございます。現象、環境等の詳細をお書き添え頂き、配送業者様の送り状(伝票)に“不良検証品”と明記の上、お買い上げ時のレシート等と共に本製品をお送りください。

発送される際は、紛失等のトラブルを防ぐため、必ず受領確認の取れる宅配便でご送付ください。

封書、郵便小包等の郵送は固くお断り申し上げます。

※ なお、輸送中の事故については、弊社にて責任を負いかねます。あらかじめご了承ください。

■交換／修理依頼時のご注意

以下の点をご了承の上、交換／修理をご依頼頂けますようお願いいたします。

1. 交換／修理のご依頼について:交換／修理のご依頼は日本国内にお住まいの方とさせていただきます。
2. 代替機の貸出について:交換／修理に伴う代替機の貸出等は行っておりません。
3. 製品の交換について:修理が困難な場合には、修理せずに同等品と交換させて頂く事がございます。この場合、お客様にて貼られたシールなどはお返しできません。
4. お客様が設定されたデータについて:弊社にて修理作業を行う際にお客様が設定されたデータを消去する場合があります。この場合は、工場出荷初期状態でお返しすることとなります。(製品ごと交換する場合も同様です)

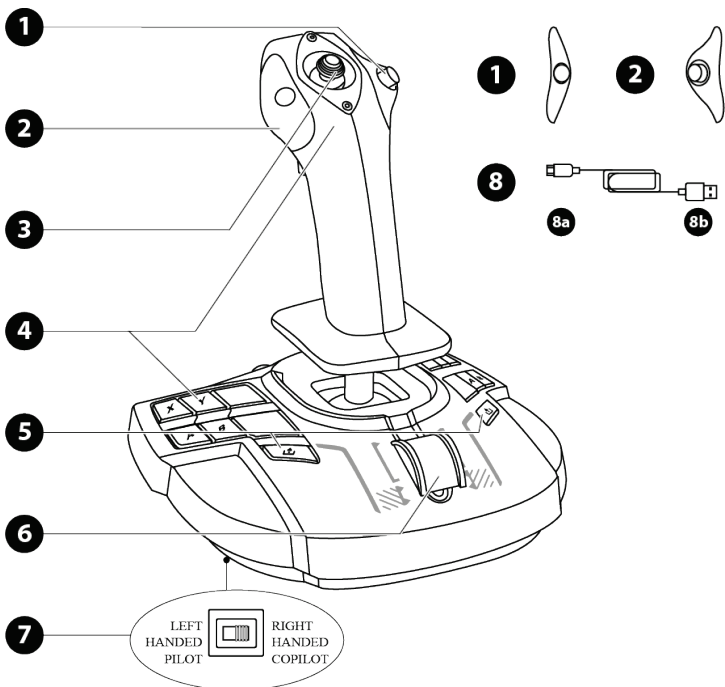
■送料について

1. 初期不良期間内(お買い上げ日から1週間):初期不良期間の送料は往復共に弊社が負担させていただきます。
2. 初期不良期間終了以降～保証期間終了まで:弊社にご送付頂く際の送料はお客様にてご負担願います。
3. 製品を返送する際の送料は弊社にて負担させていただきます。

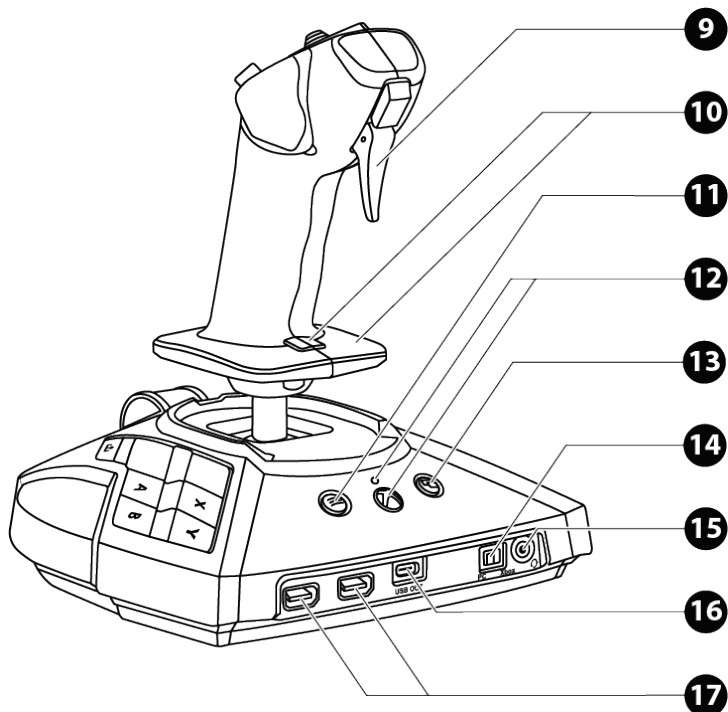
カスタマーサポート連絡先

<https://support.thrustmaster.com/ja/>

技術仕様



1. 右ボタンモジュール
2. 左ボタンモジュール
3. 多方向“視点”ハットスイッチ
4. 21 個のアクションボタン (Xbox)、22 個のアクションボタン (PC)
5. 共有ボタン (Xbox)
6. スロットル+仮想ボタン 1 個 (PC のみ)
7. セレクタースイッチ: LEFT HANDED - PILOT (左利き - パイロット) / RIGHT HANDED - COPILOT (右利き - 副操縦士)
8. USB-C (8a) - USB-A (8b) ケーブル



- 9. デジタルトリガー
- 10. ハンドレストとロックボタンを備えた回転ハンドルによるラダー制御
- 11. メニューボタン (Xbox)
- 12. Xbox ボタン + LED
- 13. 表示ボタン (Xbox)
- 14. Xbox /PC セレクタースイッチ
- 15. ゲーミングヘッドセット用 3.5mm ミニジャックマイクコネクター*
- 16. タイプ C USBポート
- 17. TCA Quadrant Airbus Edition* または TPR ラダー*用タイプ A USBポート

*別売品

お使いのジョイスティックについてもっとよく知る

超高精度を可能にする独自のテクノロジー

H.E.A.R.T HallEffect AccuRate Technology

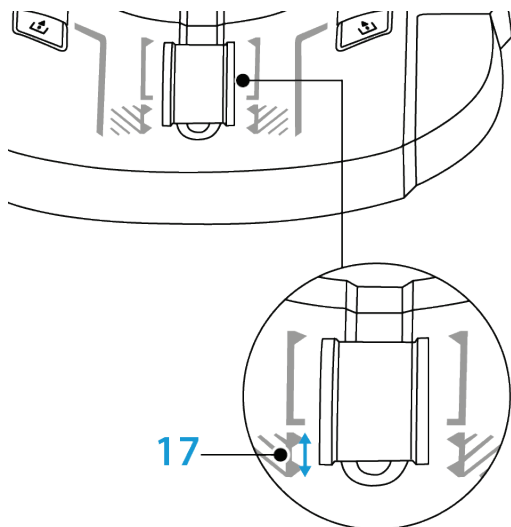
TCA Sidestick X Airbus Edition ジョイスティックは、以下による高精度のテクノロジーを搭載しています:

- スティック上に 3D (Hall エフェクト) 磁気センサーを配置、
- 磁石: 摩擦がないため、高い精度とレスポンスが永久的に持続
- スティック上にコイルスプリング (2.8 mm) を配置: 安定した超なめらかなテンション

スロットル

ジョイスティックにはスロットル(6)があり、これを使ってエンジン推力を簡単に制御できます。

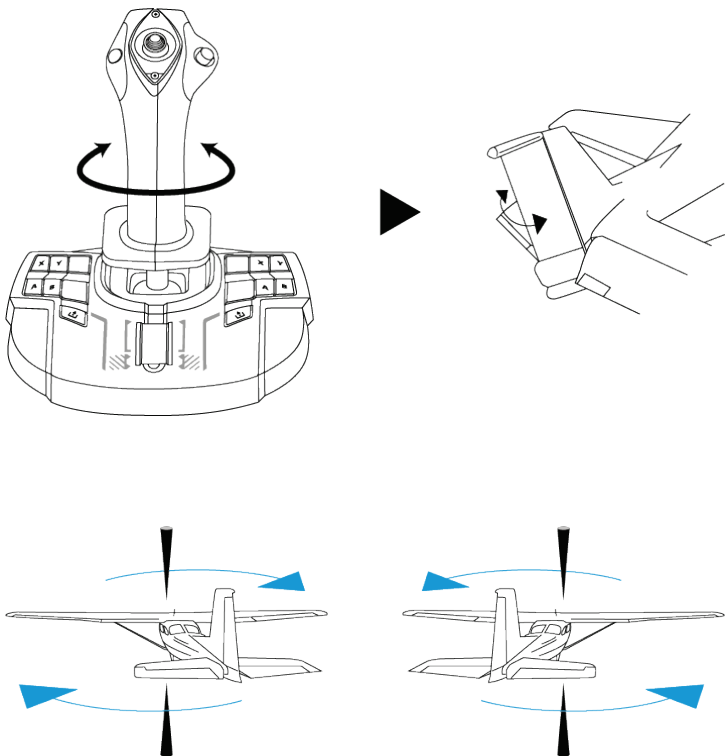
PC でのみ利用できる仮想ボタン (PC マッピングの 17 番) は、スラストリバーサーを作動させるために、スロットル可動域の最初の 20% で有効になります。



ラダー機能

ジョイスティックはラダー機能を備えています (10)。パイロットはラダーを操作することで機体を垂直軸で旋回 (つまり機体が右または左に曲がる) できます。

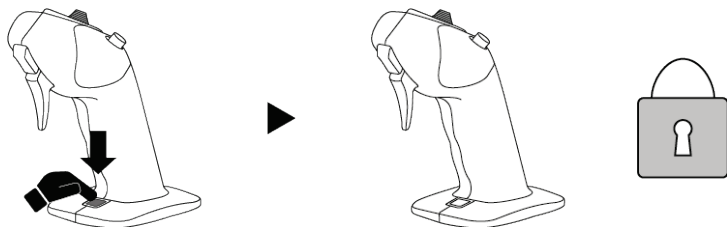
このラダー機能は、スティックを左右に回転 (ツイスト) することでジョイスティックで使用できます。



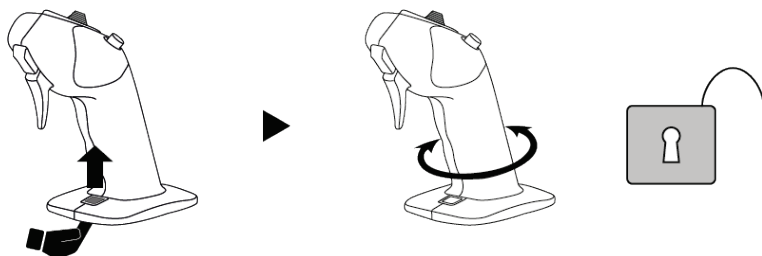
ラダー機能のロック/ロック解除

ラダー機能は、ジョイスティックハンドルの背面にあるロックボタンで無効にできます。

このボタンを押して、ラダーの軸をロックします。



このボタンを上に戻すと、ラダーの軸のロックが解除されます。



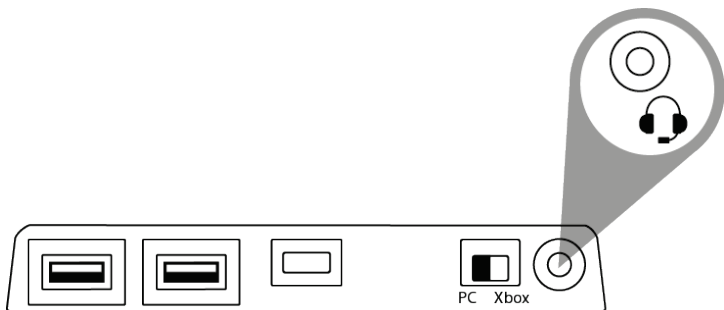
多方向“視点”ハットスイッチ

ジョイスティックには、その名前の通り、機体の周りで起こっていることを様々な視点ですばやく確認できる「視点 (POV) ハットスイッチ (3)」(この機能が有効になっているゲームのみ) が搭載されています。この機能を使用するには、ゲームのセットアップメニューに移動し、各視点 (後方、左右、および外部ビュー) を「視点」ハットスイッチの各方向にプログラミングします。

必要に応じて、「視点」ハットスイッチを他のアクション (発射など) 用に予約することもできます。

ゲーミングヘッドセット用マイクコネクター

ジョイスティックには 3.5mm ミニジャックのマイクコネクター (15) があり、マイク内蔵のゲーミングヘッドセットと使用することで、より没入感のあるプレイが可能になります。

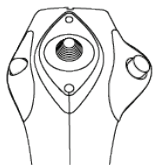


両手利き対応システムとモジュールの調整

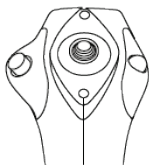
TCA Sidestick X Airbus Edition ジョイスティックには、両手利きに完全対応という特長があり、右利き・左利きを問わず、すべてのプレイヤーに完全に適応できます。

初期状態では、ジョイスティックはパイロットモードに設定されています。以下の 4 種類の設定が可能です：

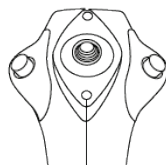
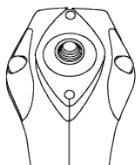
パイロット



副操縦士



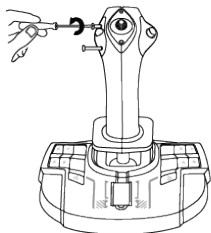
センタースティック



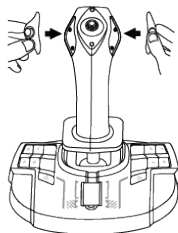
ジョイスティックの設定を変更するには：

1. 小型のドライバーを使い、各ボタンモジュールの 2 本のネジを慎重に緩めて外します。
2. 任意のセッティングに合わせてモジュールを変更します。
3. ネジを元に戻し、完全に締め直します。

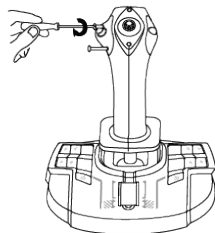
1



2



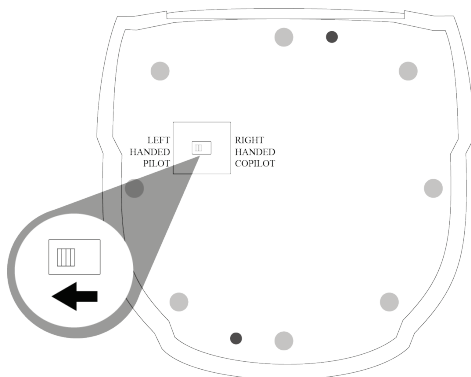
3



左利き (パイロット) モードのスティックの設定

ジョイスティックが左利き (操縦士) モードであることを確認するには、ジョイスティックのベースの底面にあるセレクトースイッチ (7) を、ジョイスティックを接続する前に LEFT HANDED – PILOT に設定します。

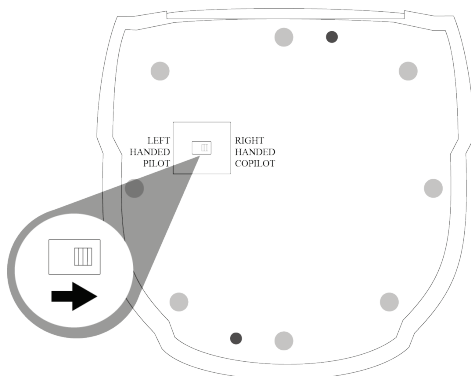
それにより、製品は TCA Sidestick X Pilot として認識されます。



右利き (副操縦士) モードのスティックの設定

ジョイスティックが 右利き (副操縦士) モードであることを確認するには、ジョイスティックのベースの底面にあるセレクトースイッチ (7) を、ジョイスティックを接続する前に RIGHT HANDED – COPILOT に設定します。

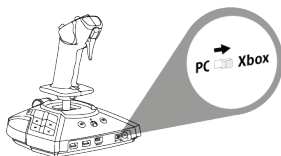
その結果、製品は TCA Sidestick X Copilot として認識されるようになります。



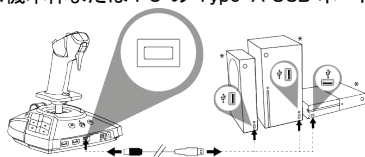
XBOX SERIES X|S / XBOX ONE

XBOX SERIES X|S* / XBOX ONE* で使用する

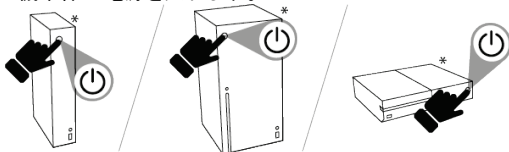
1. ジョイスティック背面の セレクタースイッチ (14) を Xbox のポジションに合わせます。



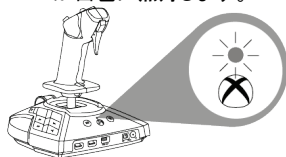
2. USB-C - USB-A ケーブル (8) をジョイスティックの Type-C USB ポート (16) とゲーム機本体または PC の Type-A USB ポートに接続します。



3. ゲーム機本体の電源を入れます。



4. ジョイスティックの LED が白色に点灯します。



5. Flight Stick モード互換タイトルを起動します。

これでプレイの準備ができました！

*別売品

互換性のある XBOX SERIES X|S / XBOX ONE ゲームの一覧

Xbox Series X|S* / Xbox One*, TCA Sidestick X Airbus Edition の場合:

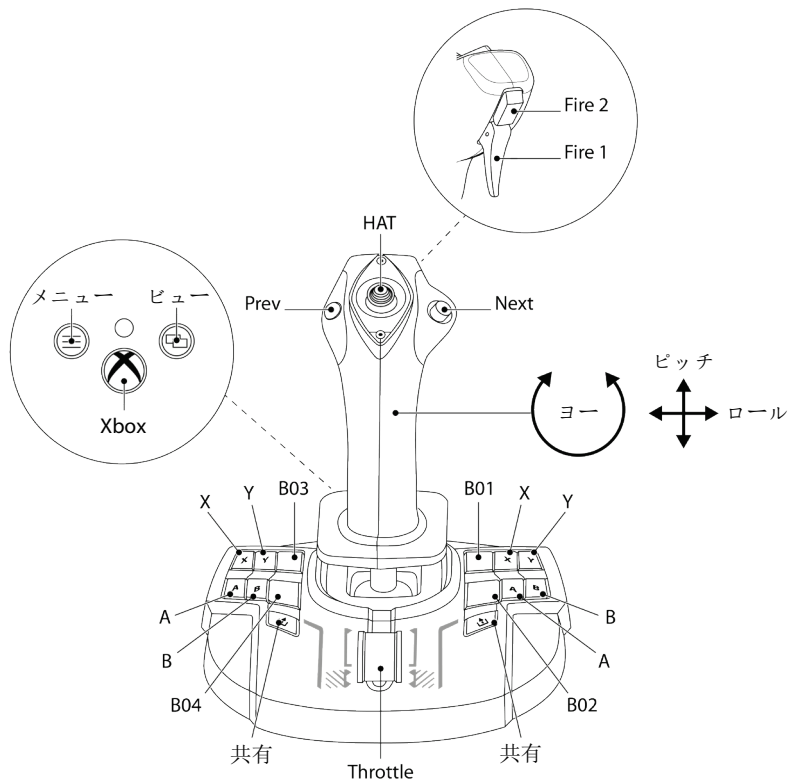
- Flight Stick モードに対応するゲームとのみ互換性があります。
- (ゲームパッドとしてではなく) 本物のジョイスティックとしてゲーム内で認識され、最高のレスポンス性と精度、およびこれらのゲームで利用可能なジョイスティックオプションへのアクセスを可能にします。

このジョイスティックと互換性のある Xbox Series X|S / Xbox One ゲームのリストは <https://support.thrustmaster.com> の [ジョイスティック] / [TCA Sidestick X Airbus Edition] のセクションで参照できます。

この一覧は、TCA Sidestick X Airbus Edition と互換性のある Xbox Series X|S / Xbox One ゲームが新たに発売されるたびに随時更新されます。

*別売品

XBOX マッピング



TCA SIDESTICK X AIRBUS EDITION の XBOX SERIES X|S* / XBOX ONE* との接続

TCA Sidestick X Airbus Edition は 4 本の軸を備えていますが、ジョイスティックの背面に TCA Quadrant Airbus Edition* スロットルシステム、TCA Quadrant Add-On Airbus Edition* モジュール、および TPR* ラダーシステムを直接接続することができます。

Xbox Series X|S* / Xbox One* のみ、TCA Quadrant Airbus Edition* に 2 つめのスロットルシステムを接続し、ジョイスティックで最大 9 軸まで追加で管理することが可能です。

Xbox Series X|S* / Xbox One* では、Type-A USB ポートを介して接続された互換性のある Thrustmaster デバイスは、TCA Sidestick X Airbus Edition と統合されます。



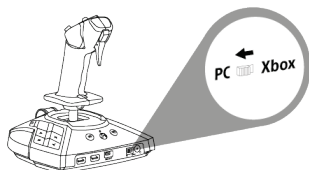
Xbox Series X|S* / Xbox One* の対応デバイスは、TCA Quadrant Airbus Edition* スロットルシステムと TCA Quadrant Add-On Airbus Edition* モジュールの組み合わせ、および TPR* と TFRP* ラダーシステムのみです。

*別売品

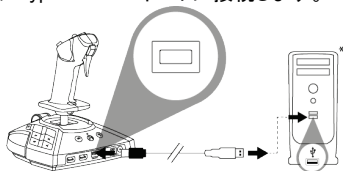
PC

PC* に取り付ける

1. サイト <https://support.thrustmaster.com/> にアクセスします。[ジョイスティック] / [TCA Sidestick X Airbus Edition] をクリックし、[ドライバ] を選択します。PC ドライバと Windows コントロールパネル用にカスタマイズされたインターフェースをダウンロードし、インストールしてください。
2. ジョイスティック背面のセレクタースイッチ (14) を PC のポジションに合わせます。



3. USB-C - USB-A ケーブル (8) をジョイスティックの Type-C USB ポート (16) と PC* の Type-A USB ポートに接続します。



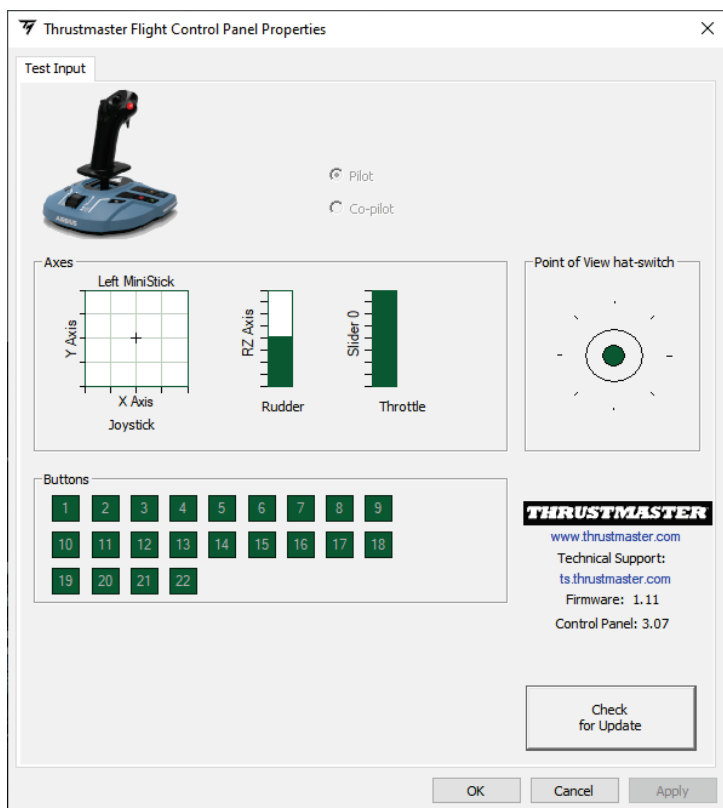
4. HID フライト周辺機器に対応した互換性のあるゲームを起動します。

これでプレイの準備ができました！

*別売品

カスタムインターフェイス

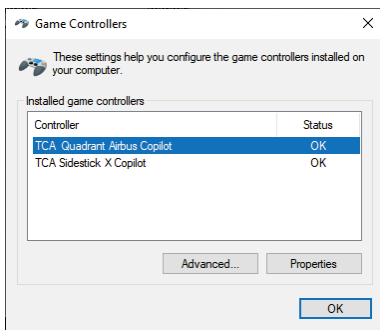
1. カスタマイズされたコントロールパネルのインターフェイスにアクセスするには、[スタート] / [すべてのアプリ] / [Thrustmaster] / [コントロールパネル] をクリックします (Windows® 10/11 の場合)。
「ゲーム コントローラー」ダイアログボックスが表示されます。デバイスは画面上に **TCA Sidestick X** という名前で OK ステータスとともに表示されます。
2. 「ゲーム コントローラー」ダイアログボックスで [プロパティ] をクリックして、すべての機能を表示・テストします。



TCA SIDESTICK X AIRBUS EDITION の PC* への接続

TCA Sidestick X Airbus Edition は 4 本の軸を備えています。ジョイスティックの背面に TCA Quadrant Airbus Edition* スロットルシステム、TCA Quadrant Add-On Airbus Edition* モジュール、および TPR* ラダーシステムを直接接続することができます。

TCA Quadrant Airbus Edition* と、TPR* または TFRP* ラダーシステムを接続すると、「ゲーム コントローラー」ダイアログボックスに仮想デバイスとして独立して表示されます:

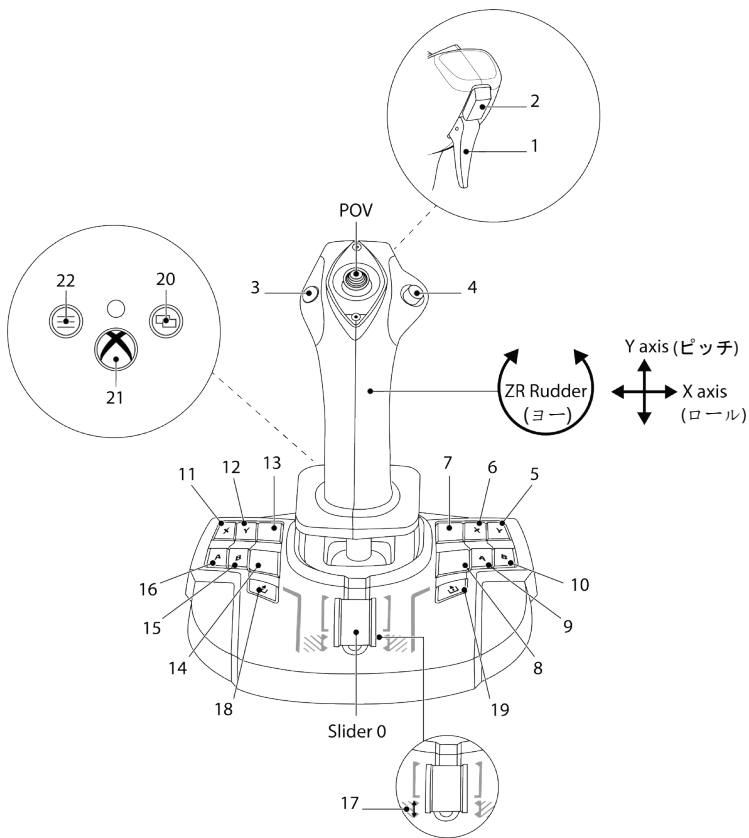


TPR* ラダーシステムまたは TFRP* ラダーシステムを接続する:

- デバイスを正常に動作させるためには、ドライバをインストールする必要があります。
- ラダーシステムがジョイスティックに接続されている場合、または スロットルシステムがジョイスティックに接続されている場合、ラダーシステムの 3 軸は仮想クアドラント (TCA Quadrant Airbus Copilot) と統合されます。

*別売品

PC マッピング



EN

FR

DE

NL

IT

ES

PT

RU

CS

TR

PL

日本語

繁體中文

한국어

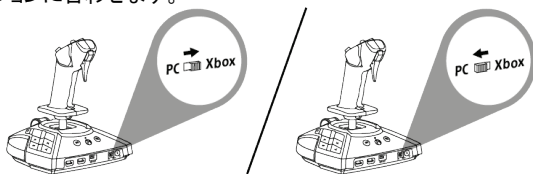
العربية

TCA SIDESTICK X AIRBUS EDITION と TCA QUADRANT AIRBUS EDITION*、TPR*、TFRP*ラダーシステムの組み合わせを取り付ける

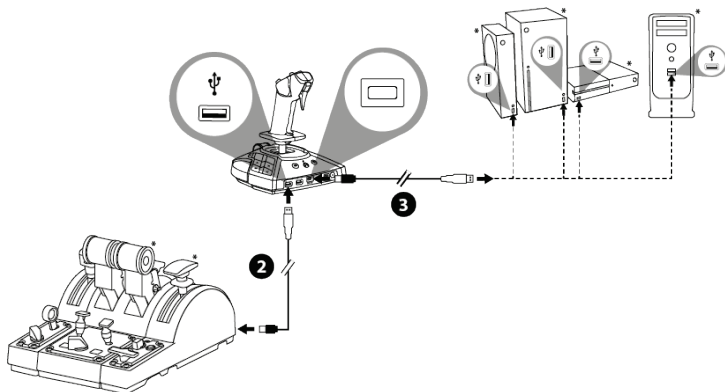
スロットルおよびアドオンモジュール

TCA Quadrant Add-On Airbus Edition* モジュールに関連付けられた TCA Quadrant Airbus Edition* をジョイスティックに接続します。

1. ジョイスティック背面のセクタースイッチ (14) を Xbox または PC のポジションに合わせます。



2. USB-C - USB-A ケーブル (8) をスロットルの Type-C USB ポートと、ジョイスティックの背面にある Type-A USB ポート (17) に接続します。
3. 2 本めの USB-C - USB-A ケーブル (8) をジョイスティックの Type-C USB ポート (16) とゲーム機本体または PC の Type-A USB ポートに接続します。



*別売品

ラダーシステム

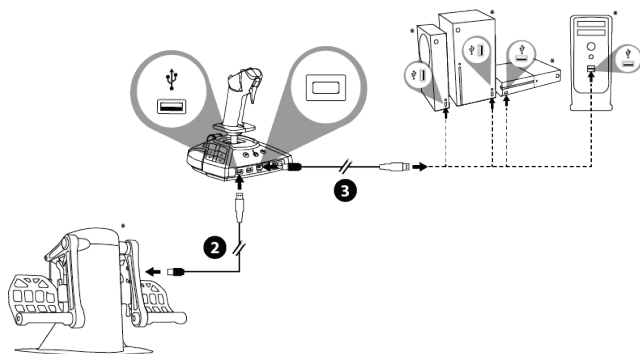
3本の軸は TPR* および TFRP* ラダーシステム用に予約されています。

TPR* ラダーシステムはジョイスティックに接続します。

1. ジョイスティック背面のセレクタースイッチ (14) を Xbox または PC のポジションに合わせます。



2. ラダーシステムの USB-C - USB-A ケーブルを、ラダーシステムの Type-B USB ポートと、ジョイスティックの背面にある Type-A USB ポート (17) に接続します。
3. USB-C - USB-A ケーブル (8) をジョイスティックの Type-C USB ポート (16) とゲーム機本体または PC の Type-A USB ポートに接続します。

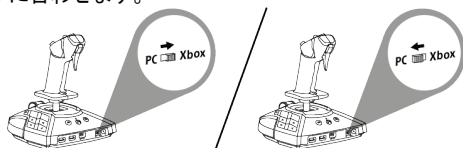


Xbox Series X|S*/ Xbox One*では、TCA Sidestick X Airbus Edition に2つの TCA Quadrant Airbus Edition* スロットルシステムがすでに接続されている場合、TPR* ラダーシステムを接続することはできません。

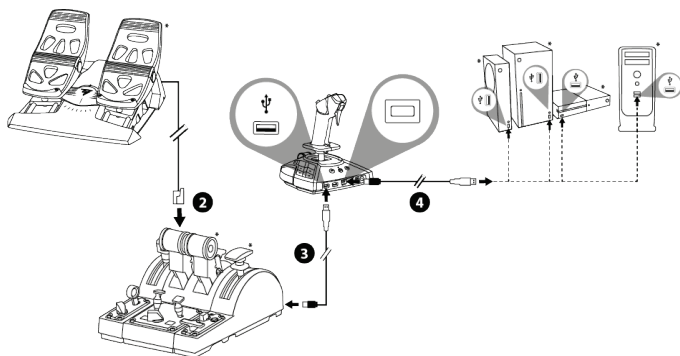
*別売品

TCA Quadrant Airbus Edition* を使用する場合、TFRP* ラダーシステムはスロットルシステムに接続されます。

1. ジョイスティック背面のセレクタースイッチ (14) を Xbox または PC のポジションに合わせます。



2. ラダーシステムの RJ12 コネクターを、TCA Quadrant Airbus Edition スロットルシステム*の背面にある RJ12 ポートに接続します。
3. USB-C - USB-A ケーブル (8) をスロットルシステムの Type-C USB ポートと、ジョイスティックの背面にある Type-A USB ポート (17) に接続します。
4. 2 本めの USB-C - USB-A ケーブル (8) をジョイスティックの Type-C USB ポート (16) とゲーム機本体または PC の Type-A USB ポートに接続します。



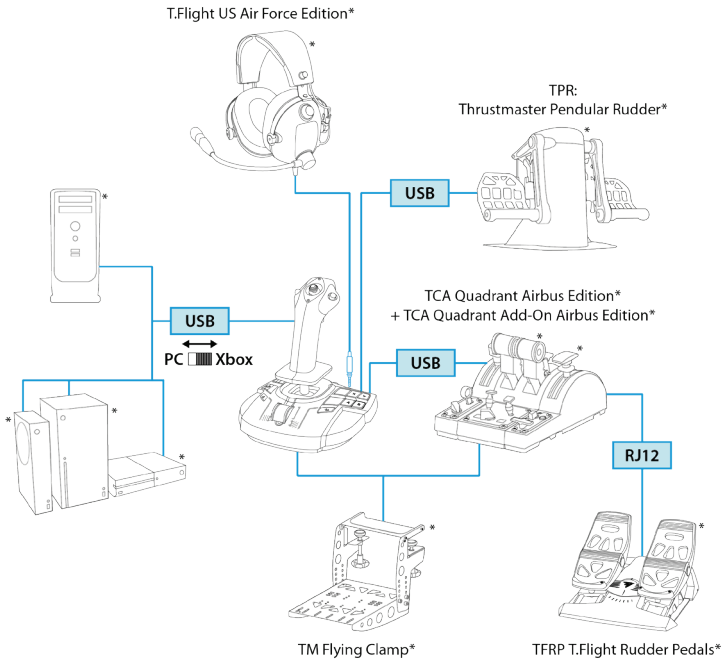
軸の自動調整:

- ラダーシステムをジョイスティックやスロットルシステムに接続するときは、必ずラダーの軸を中心に置いてください。ラダーの上に足を乗せないでください。
- ペダルの 3 つの軸は、数回動いてラダー軸および 2 つの差動ブレーキ軸の物理的な停止位置に到達すると、自動的にキャリブレーションされます。

*別売品

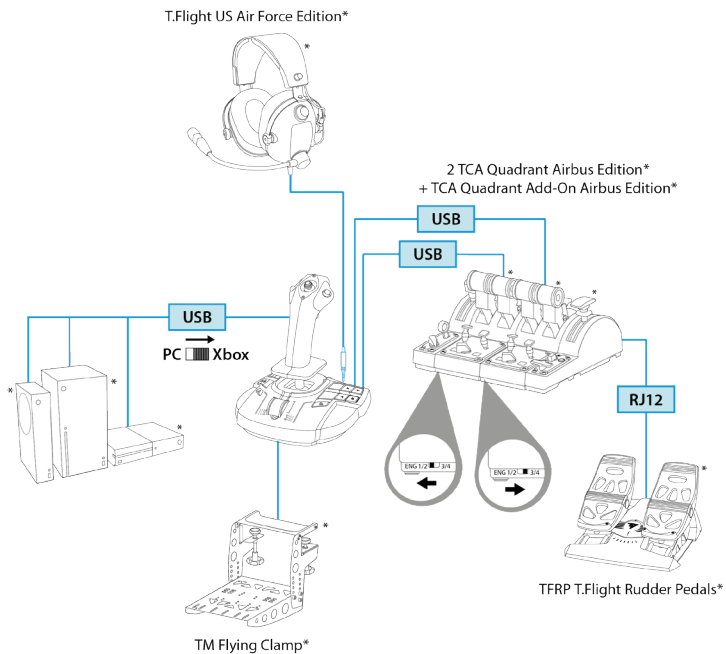
TCA SIDESTICK X AIRBUS EDITION を互換性のあるすべての製品に接続する

XBOX SERIES X|S – XBOX ONE – PC



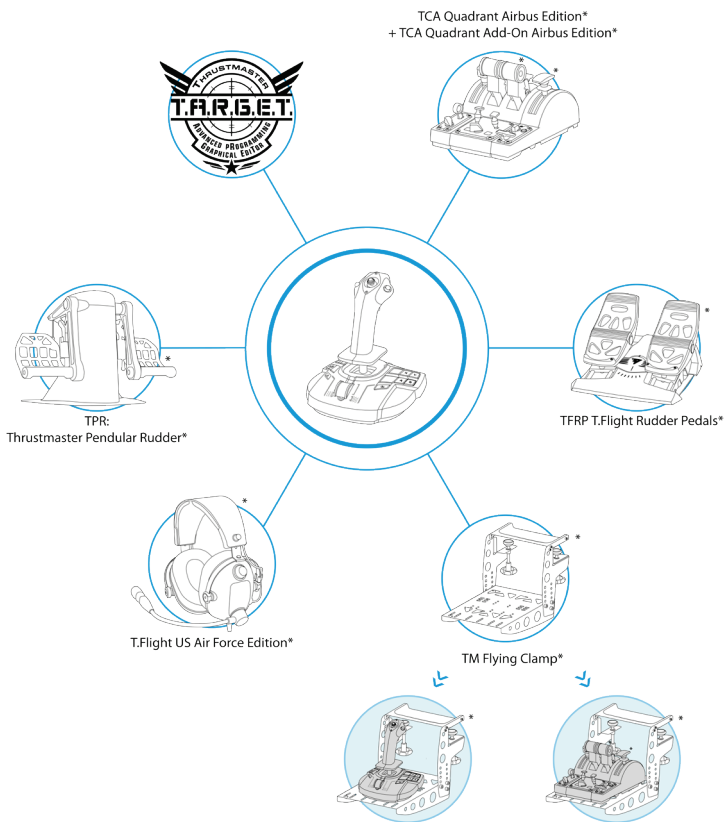
*別売品

XBOX SERIES X|S – XBOX ONE



*別売品

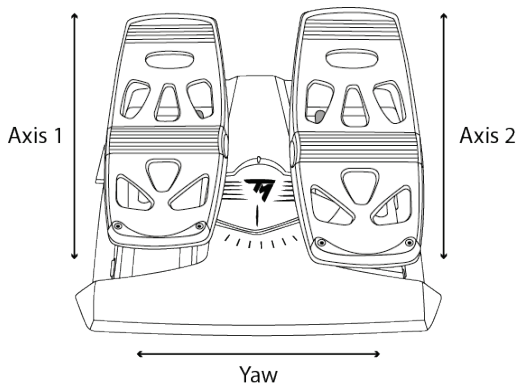
TCA エコシステム



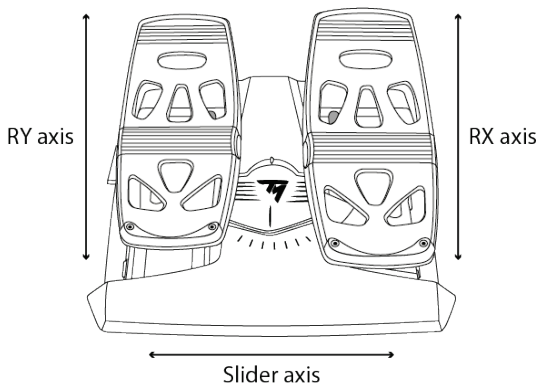
*別売品

TCA QUADRANT AIRBUS EDITION* を介して TCA SIDESTICK X AIRBUS EDITION に接続された TFRP* ラダーシステムのマッピング

XBOX マッピング



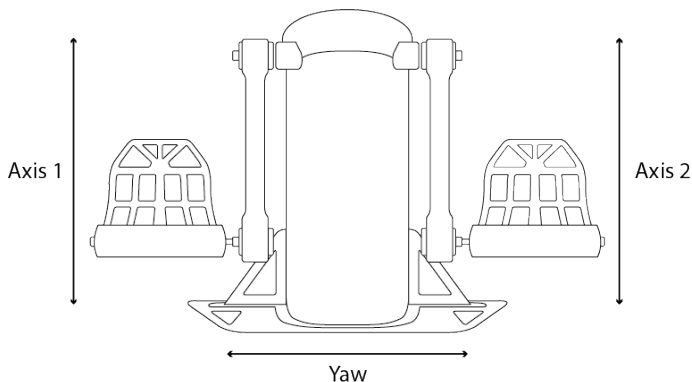
PC マッピング



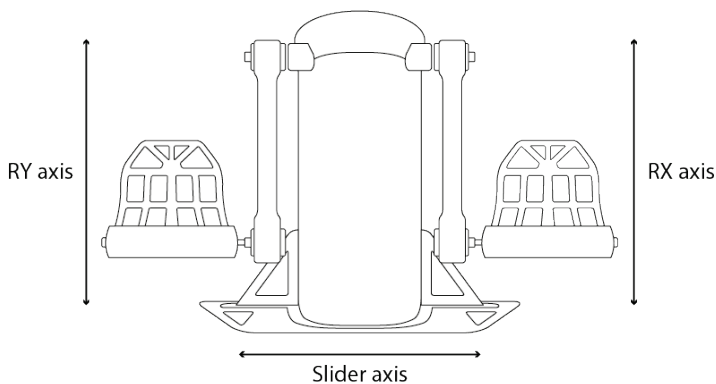
*別売品

TCA SIDESTICK X AIRBUS EDITION に接続された TPR* ラダーシステムのマッピング

XBOX マッピング



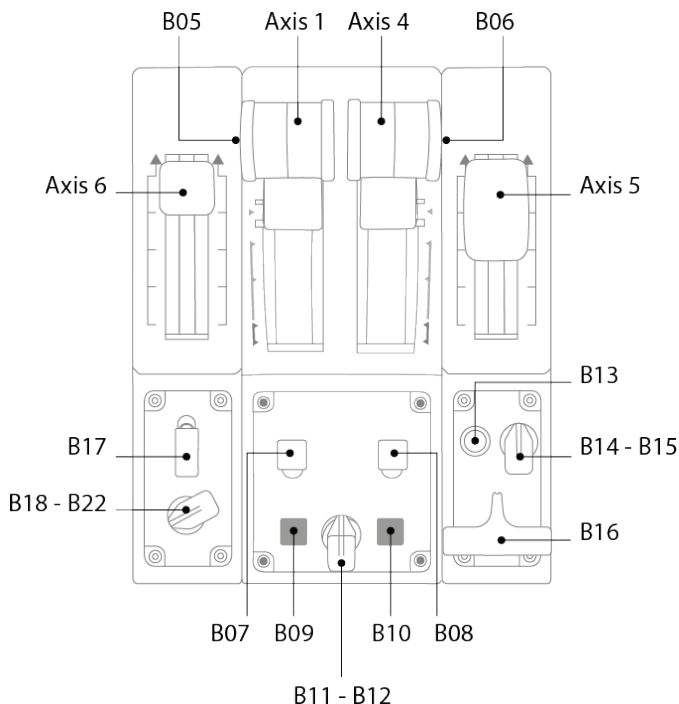
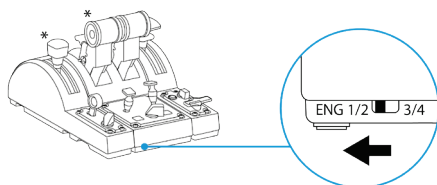
PC マッピング



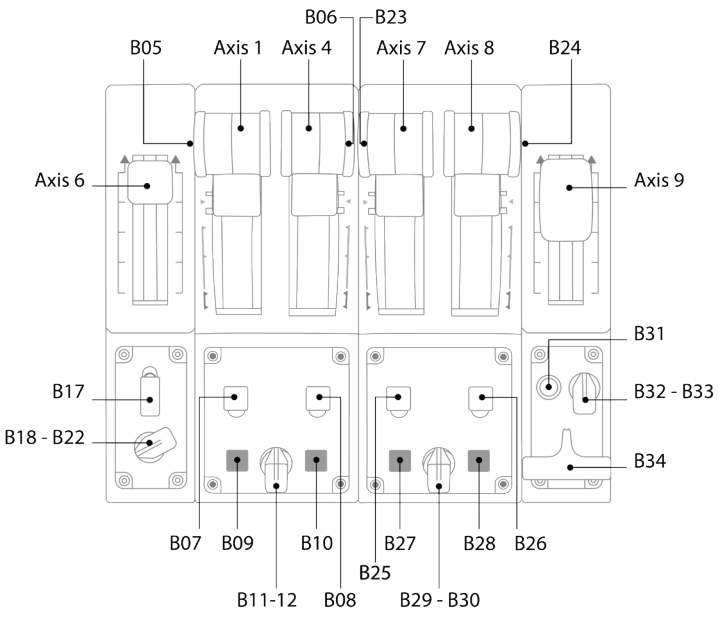
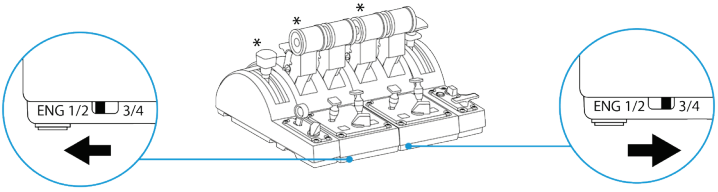
*別売品

TCA SIDESTICK X AIRBUS EDITION に接続された TCA QUADRANT AIRBUS EDITION* および TCA QUADRANT ADD-ON AIRBUS EDITION* のマッピング

XBOX マッピング

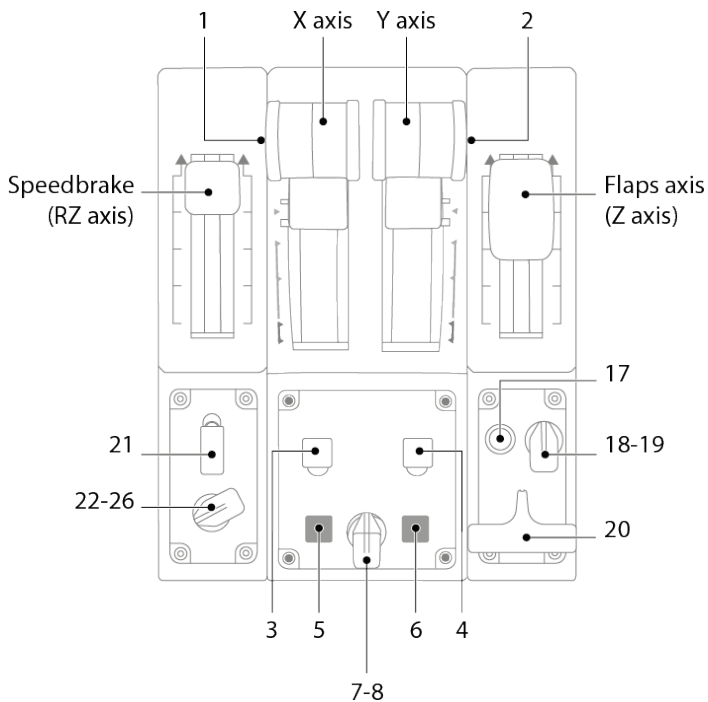
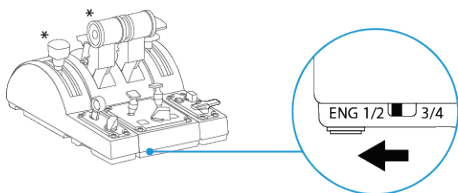


*別売品



*別売品

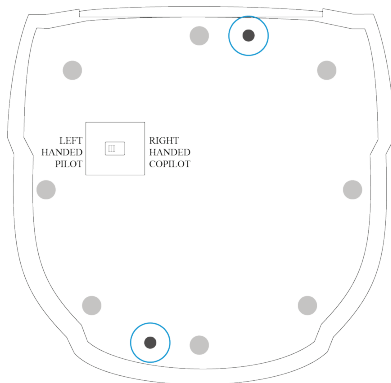
PC マッピング



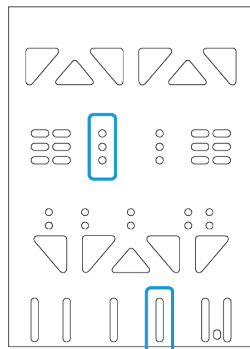
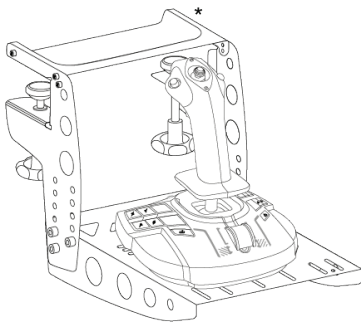
*別売品

TCA SIDESTICK X AIRBUS EDITION を TM FLYING CLAMP*、 COCKPIT、またはその他の固定サポート に取り付ける

TCA Sidestick X Airbus Edition の底面にある 2 つの穴を使用して、M6 ねじ (付属していません) でジョイスティックを固定サポートに取り付けることができます。



TCA SIDESTICK X AIRBUS EDITION を TM FLYING CLAMP*
に取り付ける:



*別売品

TCA SIDESTICK X AIRBUS EDITION のファームウェアをアップデートする

ジョイスティックに搭載されたファームウェアは、製品の改良に対応するためにアップデートすることができます。

ジョイスティックのファームウェアバージョンを表示し、必要に応じてアップデートするには: PC で <https://support.thrustmaster.com> にアクセスします。[ジョイスティック] / [TCA Sidestick X Airbus Edition] / [ファームウェア] をクリックし、説明に従って、ダウンロードとインストールを行います。



対応デバイスは、TCA Quadrant Airbus Edition* スロットルシステムと TCA Quadrant Add-On Airbus Edition* モジュールの組み合わせ、および TPR* と TFRP* ラダーシステムのみです。

これでプレイの準備ができました！

**別売品*

T.A.R.G.E.T 高機能プログラミングソフトウェア (Thrustmaster Advanced pRogramming Graphical EdiTor)

T.A.R.G.E.T (Thrustmaster Advanced pRogramming Graphical EdiTor) は、ほとんどの Thrustmaster フライトコントローラーの改良と、Thrustmaster コミュニティとのプロフィールの共有を可能にする、革新的な高性能ソフトウェアスイートです。

T.A.R.G.E.T のダウンロード

サイト <https://support.thrustmaster.com> にアクセスします。[ジョイスティック] / [TCA Sidestick X Airbus Edition] をクリックし、[ソフトウェア] を選択します。T.A.R.G.E.T 高機能プログラミングソフトウェアをダウンロードしてインストールしてください。

T.A.R.G.E.T の主な特長:

- 軸の多彩な設定が可能。
- 異なるプログラミングレベルを搭載: Basic、Advanced、Script。
- ドラッグアンドドロップで操作可能。
- TCA Sidestick X Airbus Edition を他の Thrustmaster ジョイスティック (Hotas Cougar*, Hotas Warthog*, T.16000M*, MFD Cougar Pack - いずれも T.A.R.G.E.T 互換) と組み合わせて、1 台の USB デバイスとして認識させることが可能。
- Thrustmaster コミュニティのメンバーらによって作成された高度なプロフィールへのアクセス。



*別売品

重要な注意

ジョイスティックを接続する際は、キャリブレーションの不具合を避けるため、必ずスティックとラダーを中心に置き、動かさないようにしてください。

トラブルシューティング & 警告

ジョイスティックが正常に動作していないか、正しくキャリブレーションされていない。

- USB ケーブルをゲーム機本体または PC に接続する前に、セレクトースイッチ (14) を正しいポジション (Xbox または PC) にセットします。
- ゲーム機本体または PC の電源を切り、ジョイスティックを取り外してから再び接続し、ゲームを再起動します。
- ジョイスティックを接続する際は、キャリブレーションの不具合を避けるため、スティックとラダーを中心に置き、動かさないようにしてください。

ジョイスティックを設定できない。

- ゲームのオプション/コントローラー/ゲームパッドまたはジョイスティック メニューで、適切な設定を選択するか、コントローラーのオプションを 1 から設定し直します。
- 詳しくは、ゲームのユーザーズマニュアルまたはオンラインヘルプを参照してください。

ジョイスティックの感度が強すぎる、もしくは弱すぎる。

- TCA Sidestick X Airbus Edition は、各軸が数回動いた後に自動調整されます。
- ゲームのオプション/コントローラー/ゲームパッドまたはジョイスティック メニューで、コントローラーの感度およびデッドゾーンを調整します (これらのオプションが利用可能な場合)。

TCA Sidestick X Airbus Edition のマイクコネクタが正しく動作しない。

- TCA Sidestick X Airbus Edition には、USB オーディオデバイスが搭載されています。USB オーディオデバイスを初めて Windows に接続すると、すべてのマイクの既定のボリュームが 0 に設定されます。
- この問題を解決するには、TCA Sidestick X Airbus Edition のマイクコネクタの Windows オーディオ設定にアクセスし、オーディオレベルを 100% に設定してください。

PC に接続した機器が正常に動作しない。

- PC ドライバをインストールします。サイト <https://support.thrustmaster.com/> にアクセスします。[ジョイスティック] / [TCA Sidestick X Airbus Edition] をクリックし、[ドライバ] を選択します。PC ドライバと Windows コントロールパネル 用にカスタマイズされたインターフェースをダウンロードし、インストールしてください。



このデバイスは、娯楽としてのゲーミングエンターテインメント目的での使用を前提としています。このデバイスをプロフェッショナルなトレーニングに使用することは固く禁止されています。

著作権

©2022 Guillemot Corporation S.A. All rights reserved. Thrustmaster® は、Guillemot Corporation S.A. の登録商標です。 Manufactured and distributed by Guillemot Corporation S.A.

AIRBUS とそのロゴ、トレードマーク、およびサービスマークは、Airbus 社の登録商標です。 All rights reserved. © Airbus 2022. All rights reserved. Airbus 公式ライセンス取得済み。

Microsoft、Xbox、Xbox “Sphere” Design、Xbox Series X|S、Xbox One および Windows 10/11 は、マイクロソフト企業グループの商標です。

その他、本書に記載の登録商標およびブランド名は、それぞれの所有者者に帰属します。本書に含まれるイラストには法的拘束力はありません。本書に含まれる内容、設計および仕様は、事前の通告なしに変更される場合があります、また、各国で異なる場合があります。

環境保護推奨

国内の電気電子機器のリサイクル法を遵守してください。

リサイクルのための廃機器の収集地点や廃棄方法についての詳細は、お住まいの地域の自治体までお問い合わせください。

この情報は大切に保管してください。色や形状は実際の製品と異なる場合があります。

本製品をご使用になる前に、プラスチック留め具や粘着テープなどはすべて取り除いてください。

www.thrustmaster.com

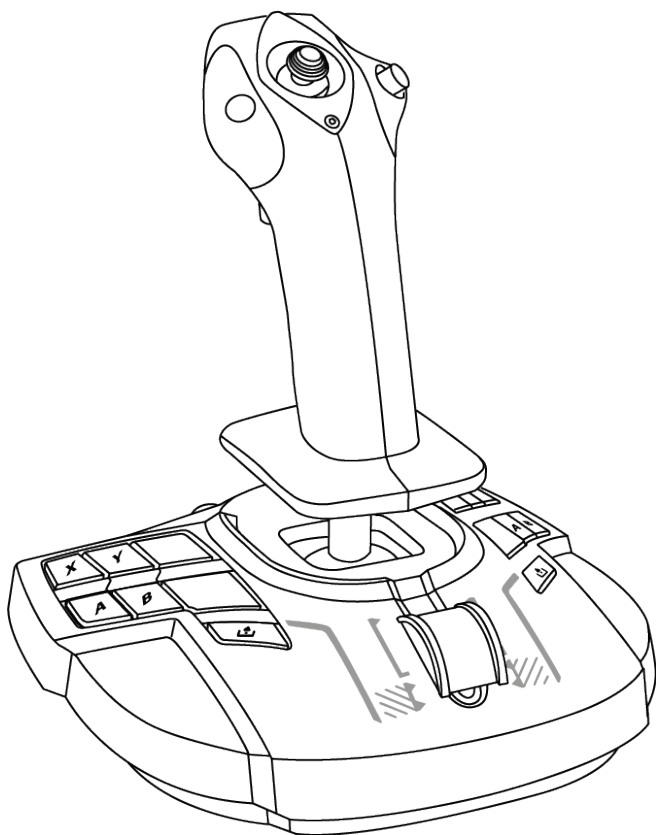
Made in China.



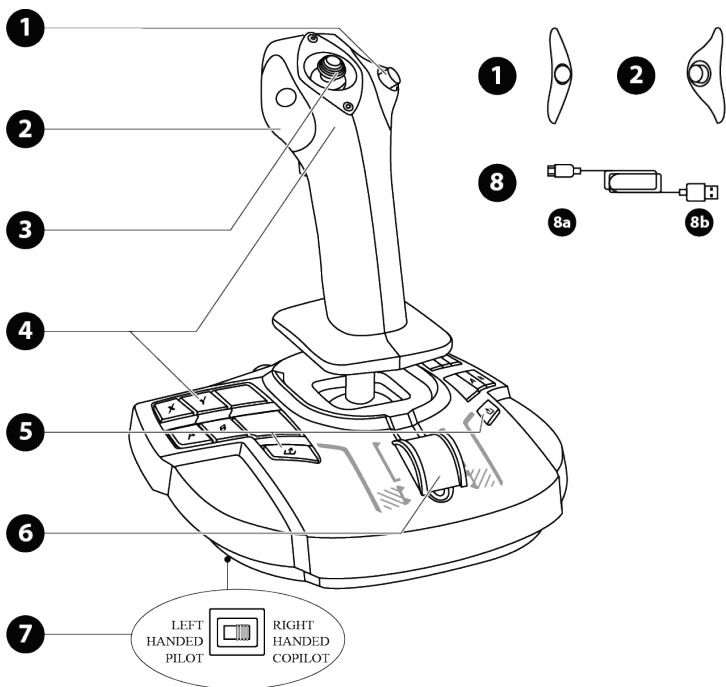
TCA SIDESTICK X AIRBUS EDITION

XBOX SERIES X|S – XBOX ONE – PC

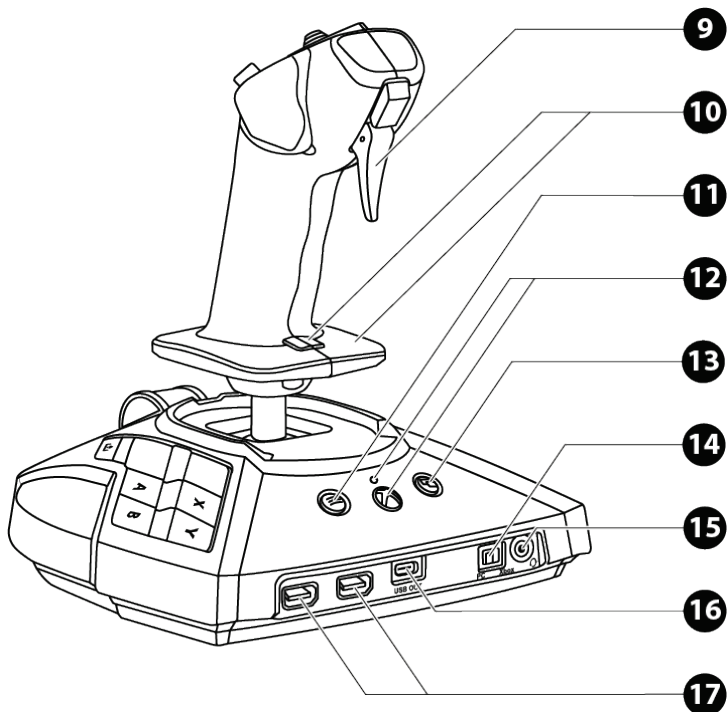
用户手册



技术特性



1. 右按钮模块
2. 左按钮模块
3. 多向“苦力帽”开关
4. 在 Xbox 上提供 21 个操作按钮，在 PC 上提供 22 个操作按钮
5. Share（分享）按钮（Xbox）
6. 节流阀 + 1 个虚拟按钮（仅在 PC 上可用）
7. 选择器开关：LEFT HANDED — PILOT（左利手 — 机长）/ RIGHT HANDED — COPILOT（右利手 — 副机长）
8. USB-C (8a) 转 USB-A (8b) 电缆



- 9. 数字扳机
- 10. 方向舵（通过旋转带掌托的手柄进行控制）+ 锁定按钮
- 11. Menu（菜单）按钮（Xbox）
- 12. Xbox 按钮 + LED
- 13. View（视图）按钮（Xbox）
- 14. Xbox / PC 选择器开关
- 15. 3.5 mm 迷你插孔，用于游戏耳麦的麦克风接口*
- 16. Type-C USB 端口
- 17. Type-A USB 端口，用于 TCA Quadrant Airbus Edition* 或 TPR 方向舵*

*另售

了解您的摇杆

独创高精度技术

H.E.A.R.T.: HallEffect AccuRate 技术

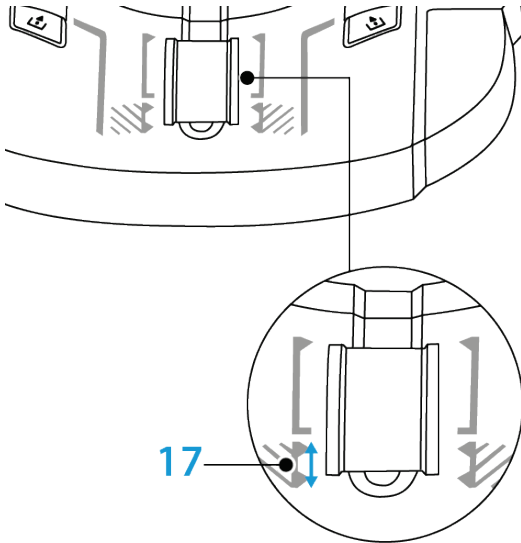
TCA Sidestick X Airbus Edition 摇杆采用高精度技术，具有以下特性：

- 操纵杆上装有 3D（霍尔效应）磁性传感器；
- 磁力技术：无摩擦，从而带来超乎寻常的精准体验和难以置信的响应能力；
- 操纵杆上装有发条（2.8 毫米）：可实现稳固、超平滑的线性张力。

节流阀

本摇杆装有一个节流阀 (6)，方便您轻松控制飞机的发动机推力。

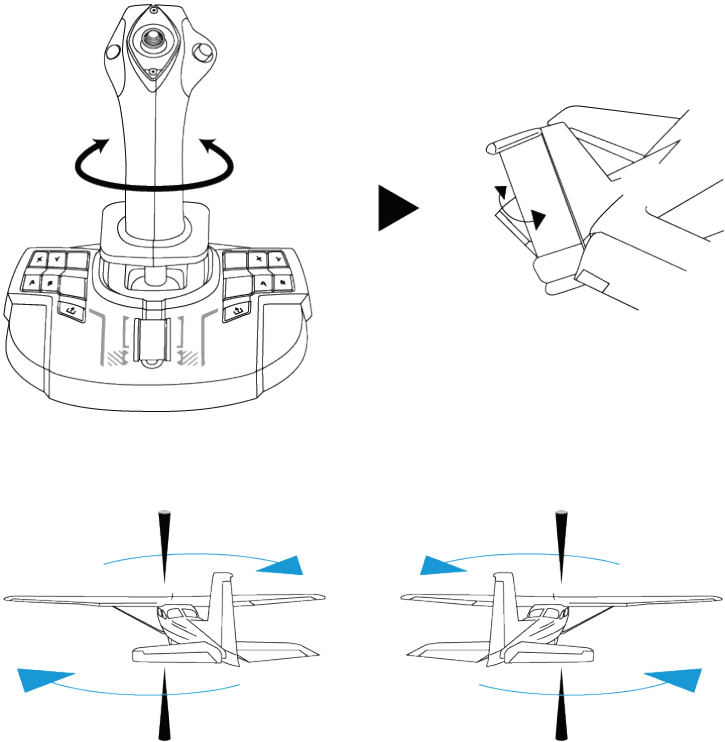
在节流阀行程的前 20% 区段启用虚拟按钮（仅在 PC 上可用，PC 映射中编号 17），可激活反推力装置。



方向舵功能

本摇杆具有方向舵功能 **(10)**。类似于飞机上飞行员通过操纵方向舵使飞机围绕其垂直轴旋转（让飞机可以左右旋转）。

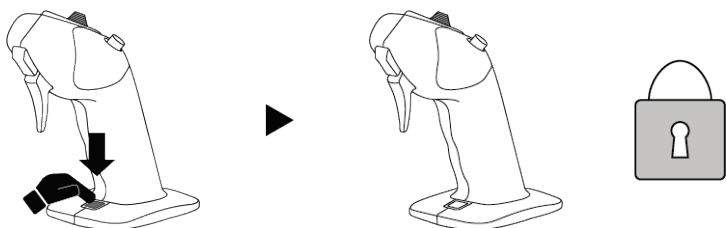
在本摇杆上，可以通过向左或向右旋转操纵杆来实现方向舵功能。



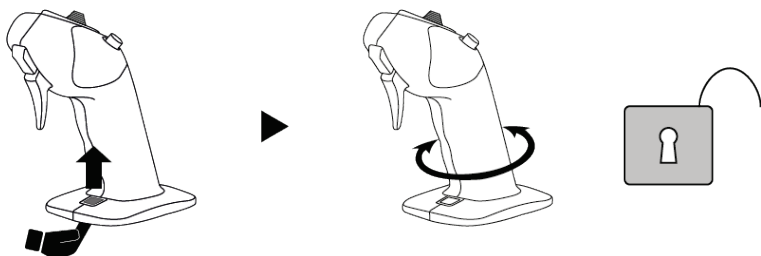
锁定/解锁方向舵功能

可以使用摇杆手柄背部的锁定按钮来禁用方向舵功能。

按此按钮可锁定方向舵的轴。



将此按钮推回上方位置，即可解锁方向舵轴。



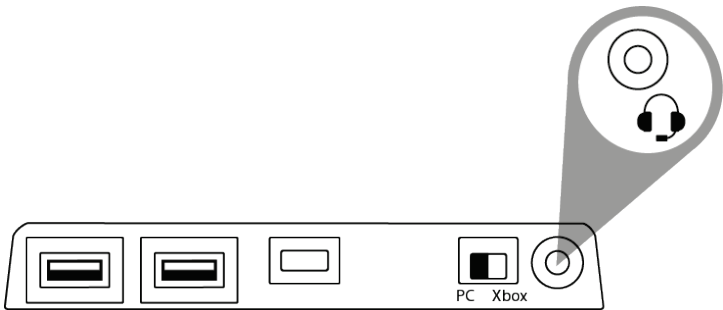
多向“苦力帽”开关

本摇杆配有苦力帽开关 **(3)**，通过该开关可（在支持该功能的游戏）即时查看飞机周围的情况。若要使用此功能，请进入游戏的设置菜单，将各个视图（后视图、左视图、右视图及外部视图）设置到苦力帽开关的相应方向上。

如果您愿意，也可以将“苦力帽”开关设为其他用途（开火等）。

游戏耳麦的麦克风接口：

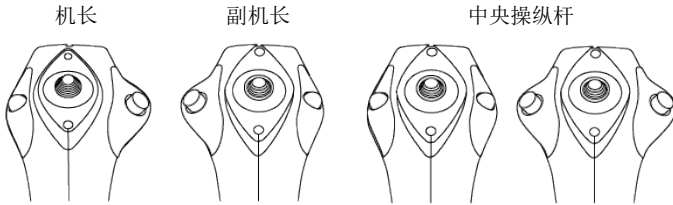
本摇杆配有 3.5 mm 迷你插孔麦克风接口 **(15)**，可使用带有内置麦克风的耳机以获得更具沉浸感的体验。



左右手通用系统并调整模块

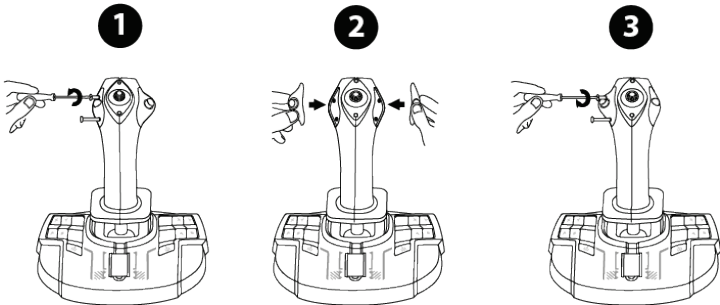
TCA Sidestick X Airbus Edition 摇杆支持左右手，因而适合所有玩家使用，无论他们惯用右手还是左手。

默认情况下，本摇杆被配置为机长模式。支持四种配置：



如需修改摇杆的配置，请：

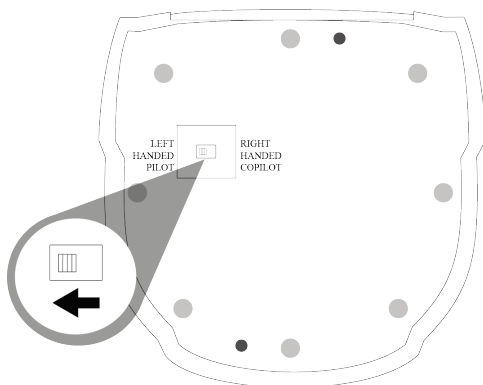
1. 使用一把小螺丝刀，小心地拧松并取下每个按钮模块上的两颗螺丝。
2. 根据首选的配置更换模块。
3. 将螺丝装回并完全拧紧。



将操纵杆设置为左利手（机长）模式

为确定操纵杆处于左利手（机长）模式，在连接摇杆之前，先将位于摇杆底座下方的选择器开关 (7) 设为 LEFT HANDED — PILOT。

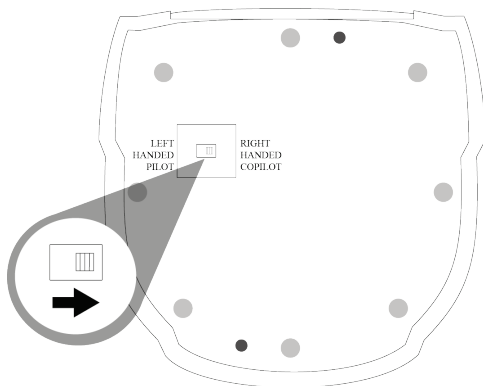
本产品将被识别为 TCA Sidestick X Pilot。



将操纵杆设置为右利手（副机长）模式

为确定操纵杆处于右利手（副机长）模式，在连接摇杆之前，先将位于摇杆底座下方的选择器开关 (7) 设为 RIGHT HANDED — COPILOT。

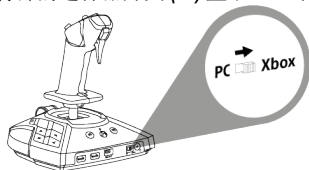
本产品将被识别为 TCA Sidestick X Copilot。



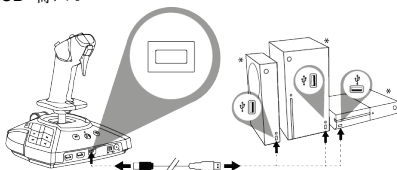
XBOX SERIES X|S / XBOX ONE

安装到 XBOX SERIES X|S* / XBOX ONE* 上

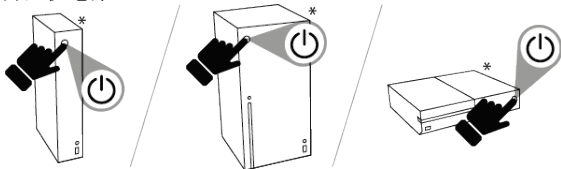
1. 将位于摇杆背部的选择器开关 (14) 置于 Xbox 位置。



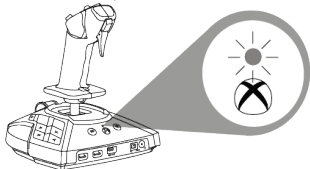
2. 将 USB-C – USB-A 电缆 (8) 连接到摇杆上的 Type-C USB 端口 (16) 及主机上的 Type-A USB 端口。



3. 打开主机电源。



4. 摇杆的 LED 指示灯呈白色点亮。



5. 启动支持 Flight Stick 模式的兼容游戏。

现在即可开始玩游戏了！

*另售

兼容的 XBOX SERIES X|S / XBOX ONE 游戏列表

在 Xbox Series X|S* / Xbox One*、TCA Sidestick X Airbus Edition 上：

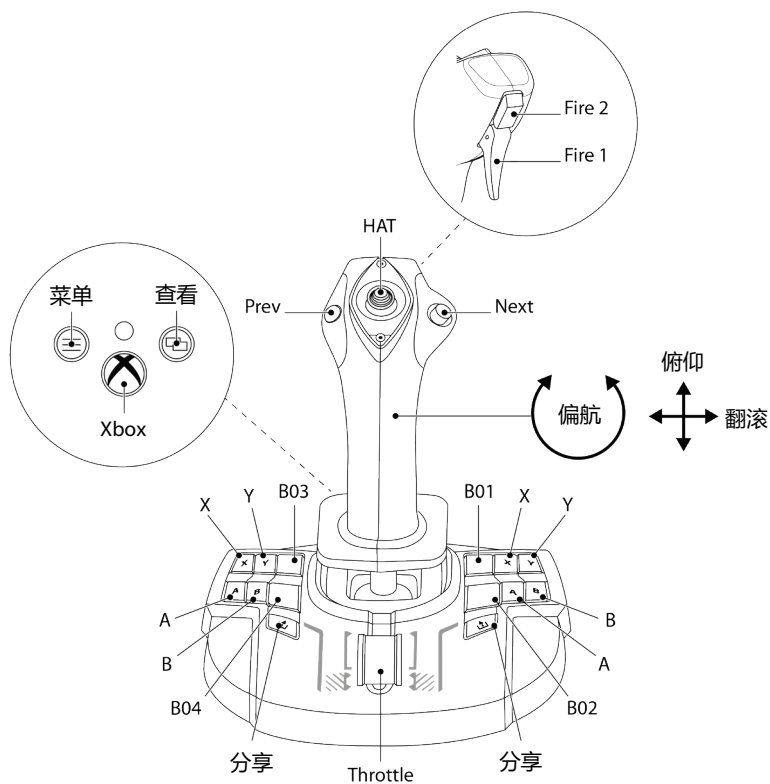
- 仅兼容支持 Flight Stick 模式的游戏。
- 在游戏中被识别为摇杆（而不是游戏手柄），以实现最高响应速度和精度，并可访问这些游戏中提供的摇杆选项。

兼容本摇杆的 Xbox Series X|S / Xbox One 游戏列表详见：
<http://support.thrustmaster.cn>，位于 **Joysticks（摇杆） / TCA Sidestick X Airbus Edition** 部分。

随着新款 Xbox Series X|S / Xbox One 游戏（兼容 TCA Sidestick X Airbus Edition）的发布，我们将会定期补充此列表。

*另售

XBOX 映射



TCA SIDESTICK X AIRBUS EDITION 连接（在 XBOX SERIES X|S* / XBOX ONE* 上）

TCA Sidestick X Airbus Edition 具有四个轴，但可直接连接 TCA Quadrant Airbus Edition* 节流阀系统、TCA Quadrant Add-On Airbus Edition* 模块和摇杆背部的 TPR* 方向舵系统。

仅在 Xbox Series X|S* / Xbox One* 上可用，另一个节流阀系统可连接到 TCA Quadrant Airbus Edition*，从而使摇杆可管理多达 9 个额外的轴。

在 Xbox Series X|S* / Xbox One* 上，通过 Type-A USB 端口连接的 Thrustmaster（图马思特）兼容设备将会与 TCA Sidestick X Airbus Edition 合并。



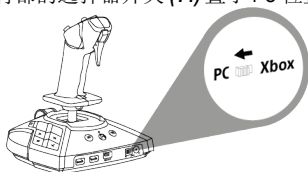
Xbox Series X|S* / Xbox One* 仅支持 TCA Quadrant Airbus Edition*、TCA Quadrant Add-On Airbus Edition* 等设备以及 TPR* 和 TFRP* 方向舵系统。

*另售

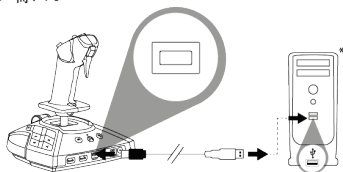
PC

安装到 PC 上*

1. 转至 <http://support.thrustmaster.cn>。点击 **Joysticks (摇杆) / TCA Sidestick X Airbus Edition**，然后选择 **Drivers (驱动程序)**。下载并安装 PC 驱动程序及其基于 Windows 控制面板的自定义界面。
2. 将位于摇杆背部的选择器开关 **(14)** 置于 PC 位置。



3. 将 USB-C – USB-A 电缆 **(8)** 连接到摇杆上的 Type-C USB 端口 **(16)** 及 PC 上的 Type-A USB 端口。



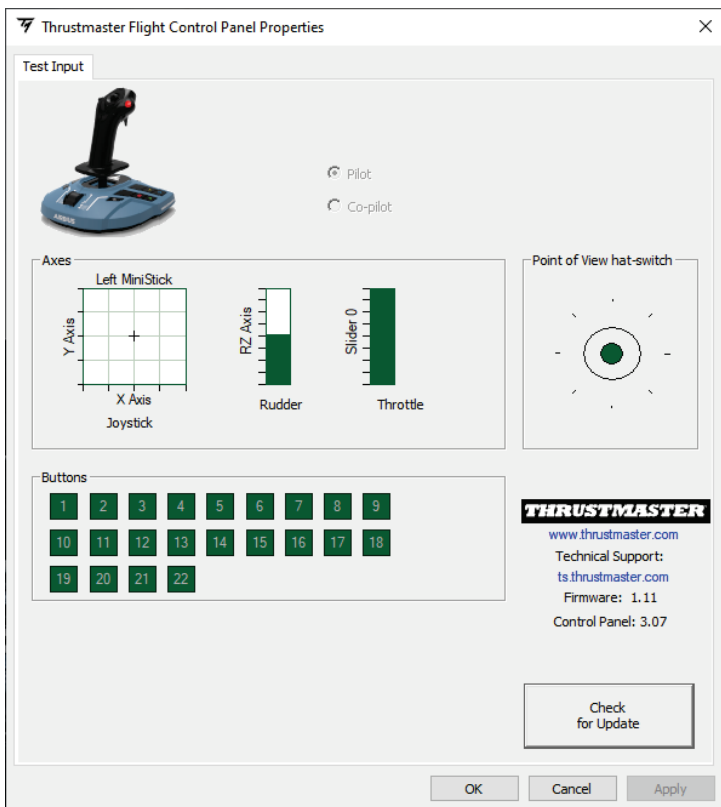
4. 启动支持 HID 飞行外设的兼容游戏。

现在即可开始玩游戏了！

*另售

自定义界面

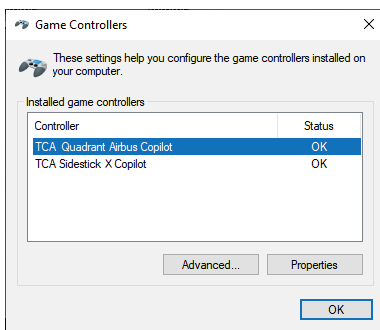
1. 要访问自定义控制面板界面，请选择**开始 / 应用 / Thrustmaster / 控制面板**（Windows® 10/11）。
此时将显示**游戏控制器**对话框。该设备出现在屏幕上，其名称显示为**TCA Sidestick X**，状态为**正常**。
2. 在**游戏控制器**对话框中，点击**属性**可测试和查看所有功能。



TCA SIDESTICK X AIRBUS EDITION 连接（在 PC* 上）

TCA Sidestick X Airbus Edition 具有四个轴，但可直接连接 TCA Quadrant Airbus Edition* 节流阀系统、TCA Quadrant Add-On Airbus Edition* 模块和摇杆背部的 TPR* 方向舵系统。

当 TCA Quadrant Airbus Edition* 和 TPR* 方向舵系统或 TFRP* 方向舵系统连接之后，它们会作为虚拟设备独立出现在**游戏控制器**对话框中：

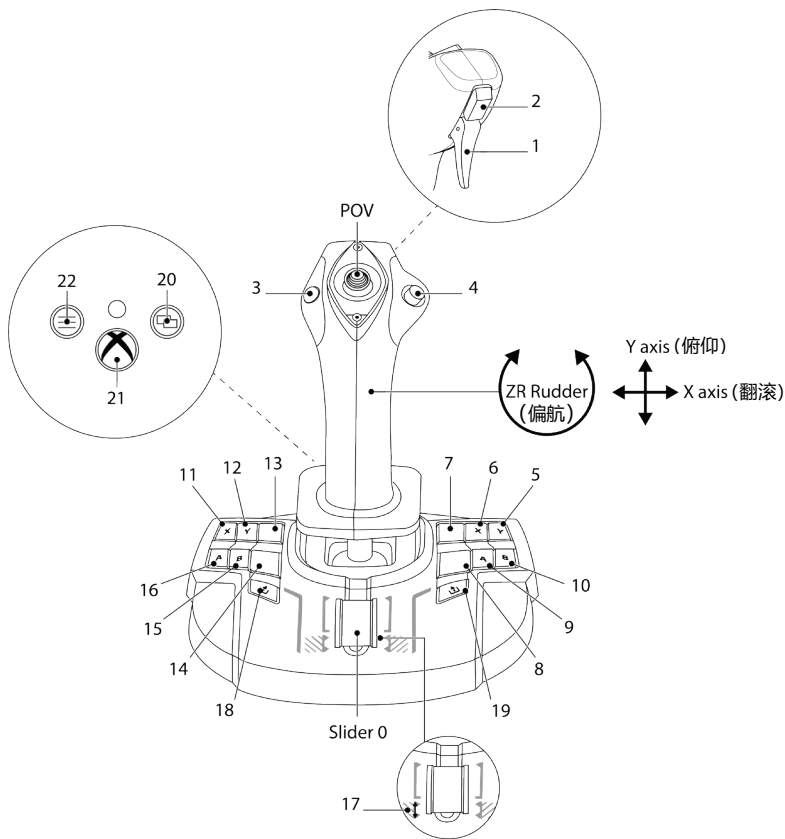


连接 TPR* 方向舵系统或 TFRP* 方向舵系统：

- 必须安装驱动程序，设备方可正常运行。
- 如果方向舵系统连接到摇杆或连接到与摇杆相连接的节流阀系统，则方向舵系统的三个轴与虚拟弧座合并（TCA Quadrant Airbus Copilot）。

*另售

PC 映射

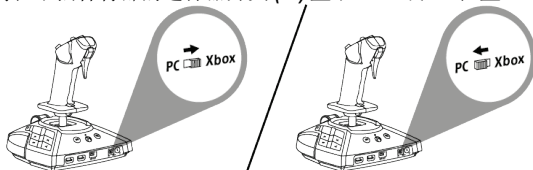


安装 TCA SIDESTICK X AIRBUS EDITION，以搭配 TCA QUADRANT AIRBUS EDITION* 与 TPR* / TFRP* 方向舵系统使用

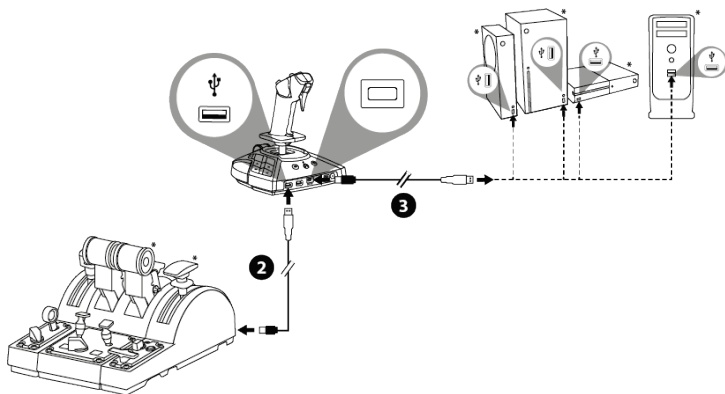
节流阀和加装模块

搭配 TCA Quadrant Add-On Airbus Edition* 模块的 TCA Quadrant Airbus Edition* 连接到摇杆。

1. 将位于摇杆背部的选择器开关 (14) 置于 Xbox 或 PC 位置。



2. 将 USB-C 转 USB-A 电缆 (8) 连接到节流阀上的 Type-C USB 端口及位于摇杆背部的 Type-A USB 端口 (17)。
3. 将另一根 USB-C 转 USB-A 电缆 (8) 连接到摇杆上的 Type-C USB 端口 (16) 及主机或 PC 上的 Type-A USB 端口。



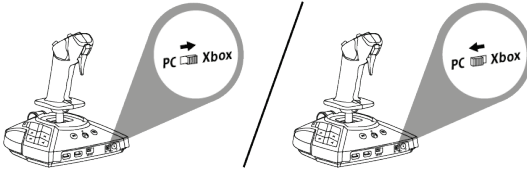
*另售

方向舵系统

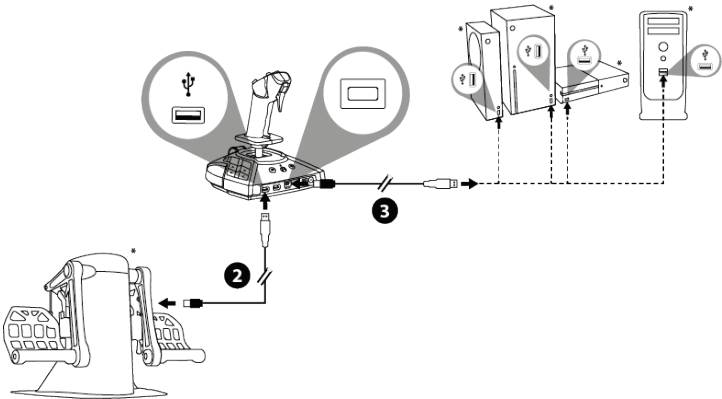
3 个轴专为 TPR* 和 TFRP* 方向舵系统预留。

TPR* 方向舵系统连接到摇杆。

1. 将位于摇杆背部的选择器开关 (14) 置于 Xbox 或 PC 位置。



2. 将方向舵系统的 USB-A 转 USB-B 电缆连接到方向舵系统上的 Type-B USB 端口及位于摇杆背部的 Type-A USB 端口 (17)。
3. 将 USB-C 转 USB-A 电缆 (8) 连接到摇杆上的 Type-C USB 端口 (16) 及主机或 PC 上的 Type-A USB 端口。

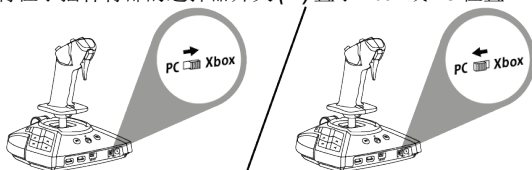


在 Xbox Series X|S* / Xbox One* 上，当 TCA Sidestick X Airbus Edition 已连接两个 TCA Quadrant Airbus Edition* 节流阀系统时，将无法再连接 TPR* 方向舵系统。

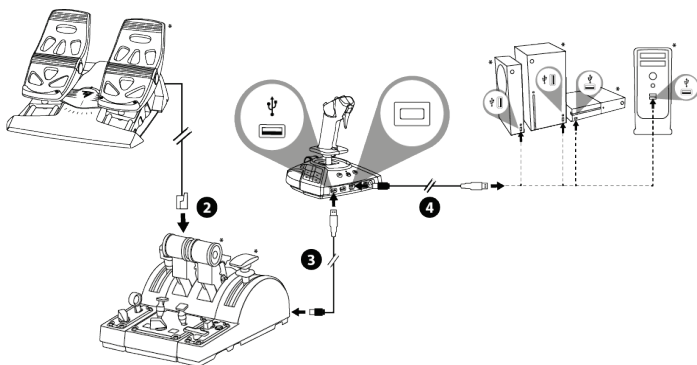
*另售

在您使用 TCA Quadrant Airbus Edition* 时，TFRP* 方向舵系统应连接到节流阀系统。

1. 将位于摇杆背部的选择器开关 (14) 置于 Xbox 或 PC 位置。



2. 将方向舵系统的 RJ12 接头连接到位于 TCA Quadrant Airbus Edition 节流阀系统*背部的 RJ12 端口。
3. 将 USB-C 转 USB-A 电缆 (8) 连接到节流阀系统上的 Type-C USB 端口及位于摇杆背部的 Type-A USB 端口 (17)。
4. 将另一根 USB-C 转 USB-A 电缆 (8) 连接到摇杆上的 Type-C USB 端口 (16) 及主机或 PC 上的 Type-A USB 端口。



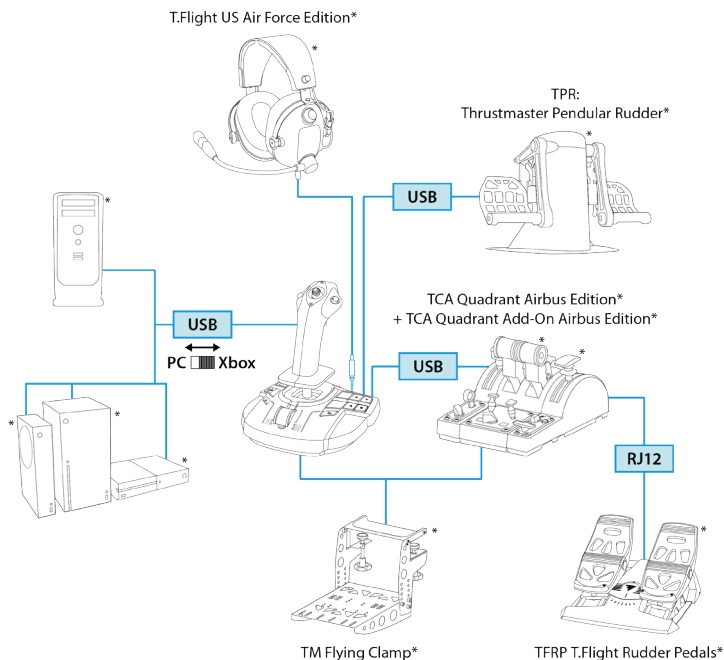
自动校准轴：

- 在将方向舵系统连接到摇杆或节流阀系统时，务必确保方向舵的轴始终居中。切勿将脚放在方向舵上。
- 踏板的 3 个轴在移动几次之后以及到达方向舵轴和 2 个差动刹车轴的物理限位之后，会自动进行自校准。

*另售

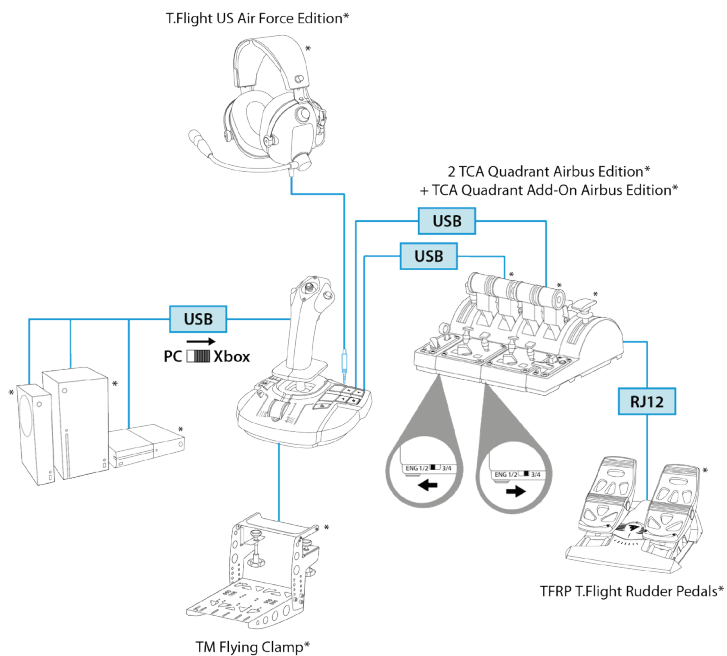
将 TCA SIDESTICK X AIRBUS EDITION 与所有兼容产品相连接

XBOX SERIES X|S – XBOX ONE – PC



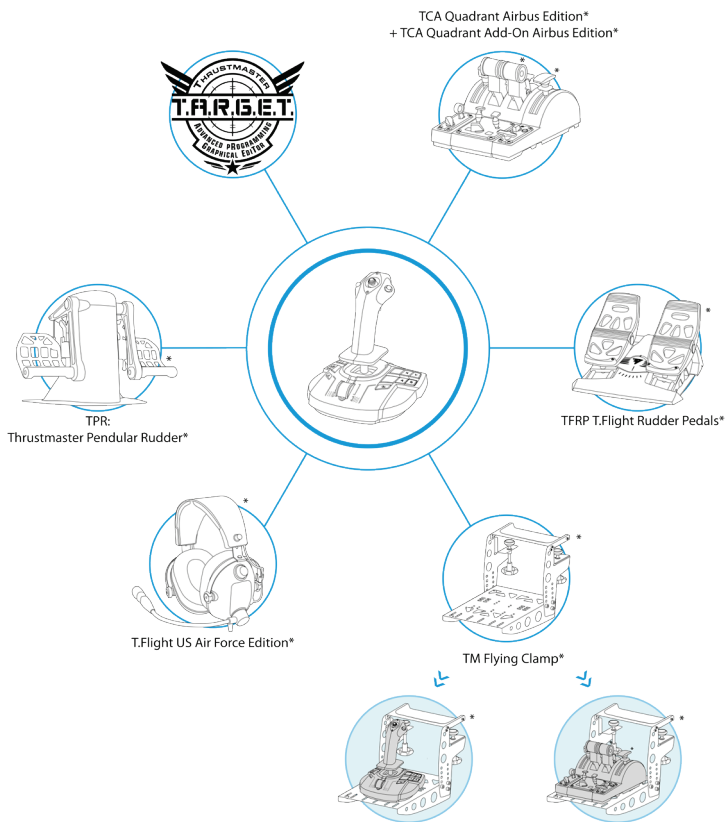
*另售

XBOX SERIES X|S – XBOX ONE



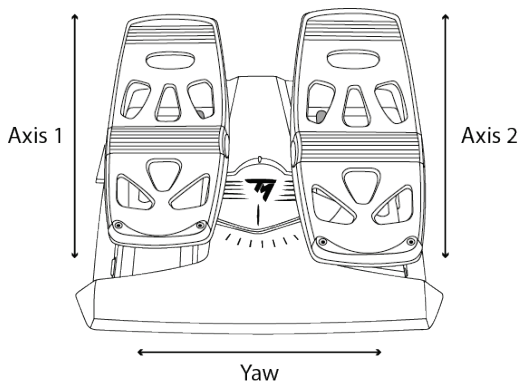
*另售

TCA 生态系统

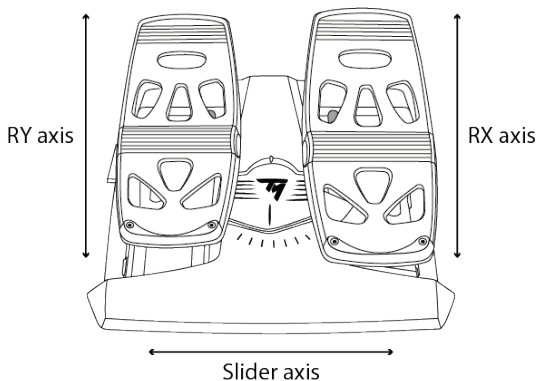


针对通过 TCA QUADRANT AIRBUS EDITION* 连接到 TCA SIDESTICK X AIRBUS EDITION 的 TFRP* 方向舵系统进行映射

XBOX 映射



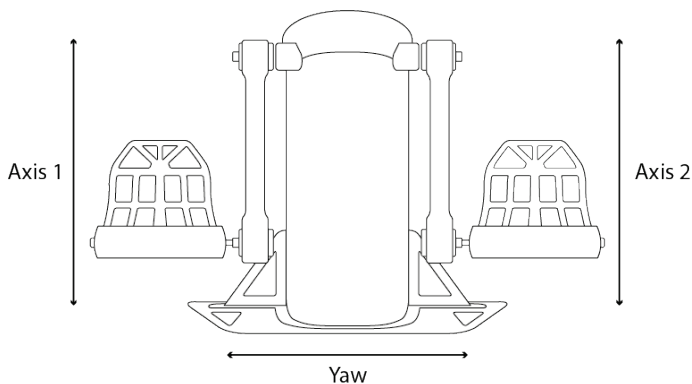
PC 映射



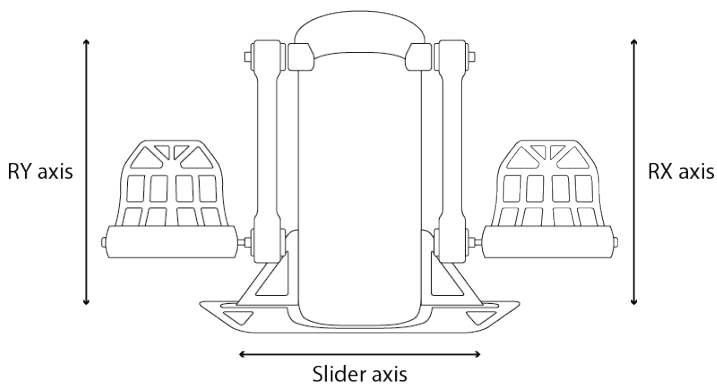
*另售

针对连接到 TCA SIDESTICK X AIRBUS EDITION 的 TPR* 方向舵系统进行映射

XBOX 映射



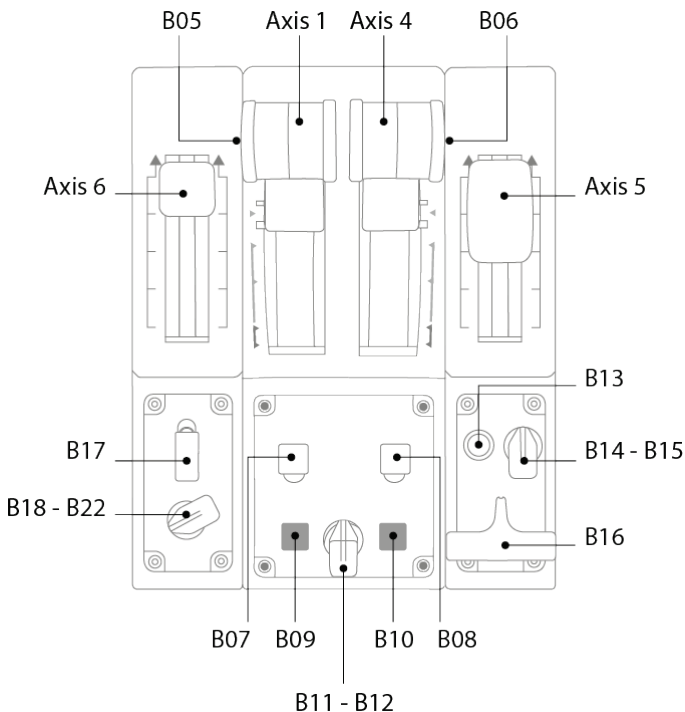
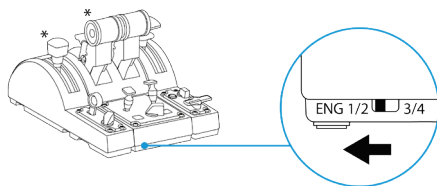
PC 映射



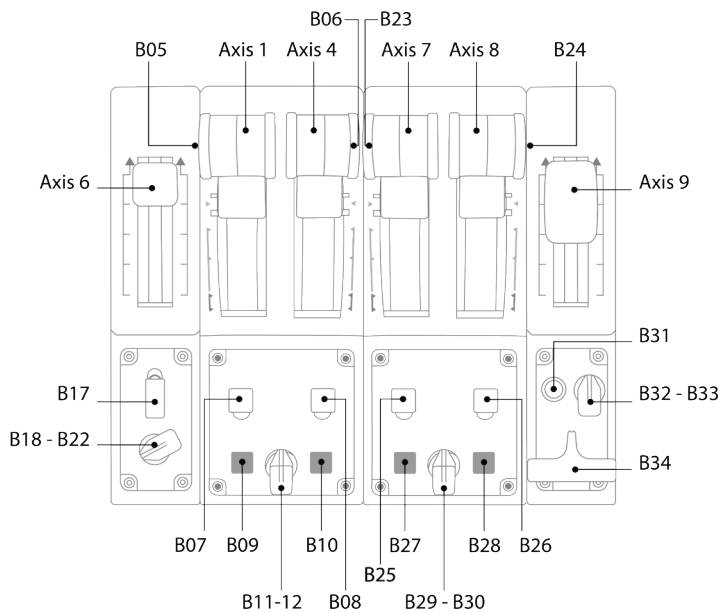
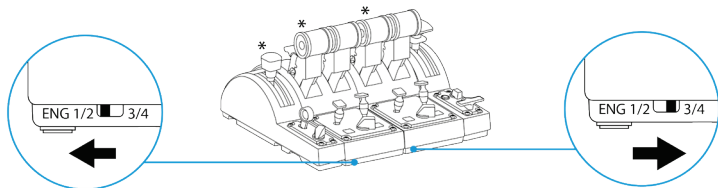
*另售

针对连接到 TCA SIDESTICK X AIRBUS EDITION 的 TCA QUADRANT AIRBUS EDITION* 和 TCA QUADRANT ADD-ON AIRBUS EDITION* 进行映射

XBOX 映射

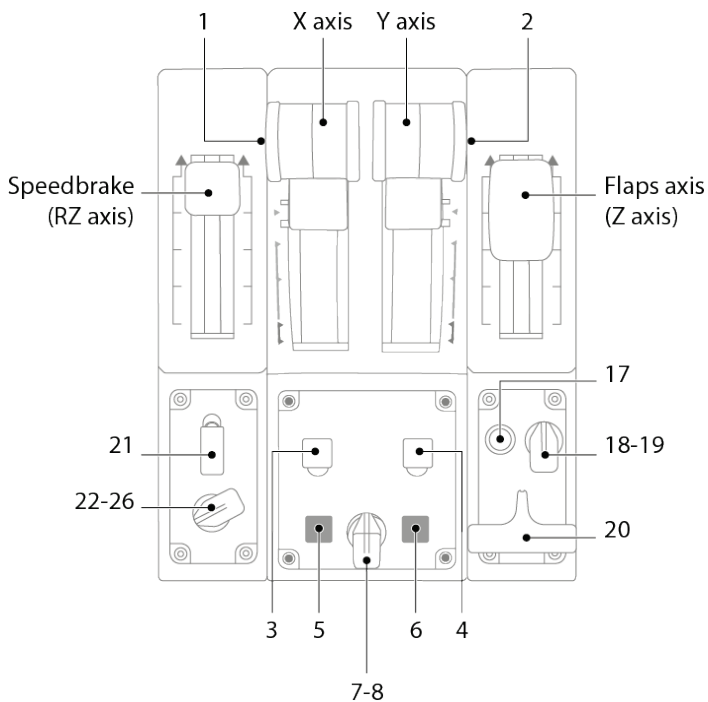
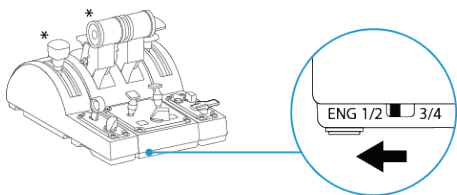


*另售



*另售

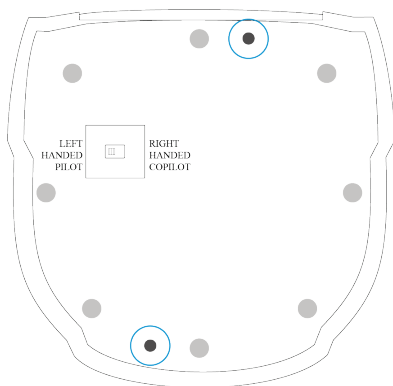
PC 映射



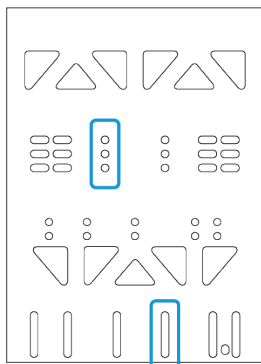
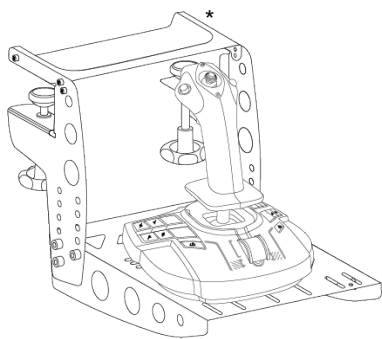
*另售

将 TCA SIDESTICK X AIRBUS EDITION 安装到 TM FLYING CLAMP*、驾驶舱或其他固定支撑物上

可使用 M6 螺丝（未随附）通过 TCA Sidestick X Airbus Edition 底部的两个穿孔将摇杆固定到固定支撑物上。



将 TCA SIDESTICK X AIRBUS EDITION 安装到 TM FLYING CLAMP* 上：



*另售

更新 TCA SIDESTICK X AIRBUS EDITION 固件

摇杆内置的固件可更新，以利用产品的改进功能。

如需显示摇杆的固件版本并在必要时进行更新：在 PC 上，转至 <http://support.thrustmaster.cn>。点击 **Joysticks（摇杆）/ TCA Sidestick X Airbus Edition / Firmware（固件）**，然后按照说明以及下载和安装程序进行操作。



仅支持加装 TCA Quadrant Add-On Airbus Edition* 模块的 TCA Quadrant Airbus Edition* 节流阀系统以及 TPR* 和 TFRP* 方向舵系统。

现在即可开始玩游戏了！

**另售*

T.A.R.G.E.T 高级编程软件

(Thrustmaster Advanced pROgramming Graphical EdiTOR)

T.A.R.G.E.T (Thrustmaster Advanced pROgramming Graphical EdiTOR) 是一款创新的高性能软件套件，可进一步提升大多数 Thrustmaster（图马思特）飞行控制器的性能，支持用户与 Thrustmaster（图马思特）社区分享配置文件。

下载 T.A.R.G.E.T

转至 <http://support.thrustmaster.cn>。点击 **Joysticks（摇杆）/ TCA Sidestick X Airbus Edition**，然后选择 **Software（软件）**。下载并安装 T.A.R.G.E.T 高级编程软件。

T.A.R.G.E.T 的主要功能：

- 支持不同的轴配置。
- 可能的不同编程水平设置：Basic、Advanced 与 Script。
- 采用“拖放”原则。
- 可将 TCA Sidestick X Airbus Edition 与其他 Thrustmaster（图马思特）摇杆（Hotas Cougar*、Hotas Warthog*、T.16000M* 和 MFD Cougar Pack*，这些设备也兼容 T.A.R.G.E.T）搭配使用，使其可被识别为单个 USB 设备。
- 访问由 Thrustmaster 社区创建的高级配置文件。



*另售

重要事项

连接摇杆时：始终确保操纵杆和方向舵居中并避免移动它们，以防出现任何潜在的校准问题。

故障检修和警告

我的摇杆无法正常工作，或似乎校准不当。

- 在将 USB 电缆连接到主机或 PC 之前，请确认选择器开关 **(14)** 处于正确的位置（Xbox 或 PC）。
- 关闭主机或 PC 电源，断开摇杆连接，然后重新连接摇杆并重启游戏。
- 连接摇杆时，确保操纵杆和方向舵居中并避免移动它们，以防出现任何潜在的校准问题。

我无法配置我的摇杆：

- 在游戏的**选项 / 控制器 / 游戏手柄或摇杆**菜单中，选择适当的配置，或重新配置控制器选项。
- 有关详细信息，请参阅游戏的用户手册或联机帮助。

我的摇杆太灵敏或不够灵敏。

- TCA Sidestick X Airbus Edition 在不同的轴上移动几次之后会自动执行自校准。
- 在游戏的**选项 / 控制器 / 游戏手柄或摇杆**菜单中，调整控制器的灵敏度和盲区（如果这些选项可用）。

TCA Sidestick X Airbus Edition 麦克风接口无法正常工作。

- TCA Sidestick X Airbus Edition 配有 USB 音频设备。首次将 USB 音频设备连接到 Windows 时，所有麦克风的默认音量设置为零。
- 如需解决此问题，请访问 TCA Sidestick X Airbus Edition 麦克风接口的 Windows 音频设置并将音量设置为 100%。

在 PC 上，已连接的设备无法正常工作。

- 安装 PC 驱动程序。转至 <http://support.thrustmaster.cn>。点击 **Joysticks（摇杆） / TCA Sidestick X Airbus Edition**，然后选择 **Drivers（驱动程序）**。下载并安装 PC 驱动程序及其基于 Windows 控制面板的自定义界面。



本设备的设计用途仅限于游戏娱乐。**严禁**使用本设备进行专业训练活动。

版权所有

© 2022 Guillemot Corporation S.A. 保留所有权利。Thrustmaster® 是 Guillemot Corporation S.A. 的注册商标。

AIRBUS 及其徽标和商标及服务标志是 Airbus 的注册商标。保留所有权利。© Airbus 2022。保留所有权利。获得 Airbus 官方授权。

Microsoft、Xbox、Xbox “球形”设计、Xbox Series X|S、Xbox One 和 Windows 10/11 是 Microsoft 集团公司的商标。

产品图片不具约束力。以上内容、设计和规格若有变更，恕不另行通知。并且，以上信息可能因国家不同而不同。中国制造。

环保建议

请遵守当地法规，正确回收电子电器产品。

请妥善保管本说明书。产品颜色和具体装饰可能有所不同。

使用本产品前请先拆除塑料紧固件和胶带。



THRUSTMASTER®

技术支持

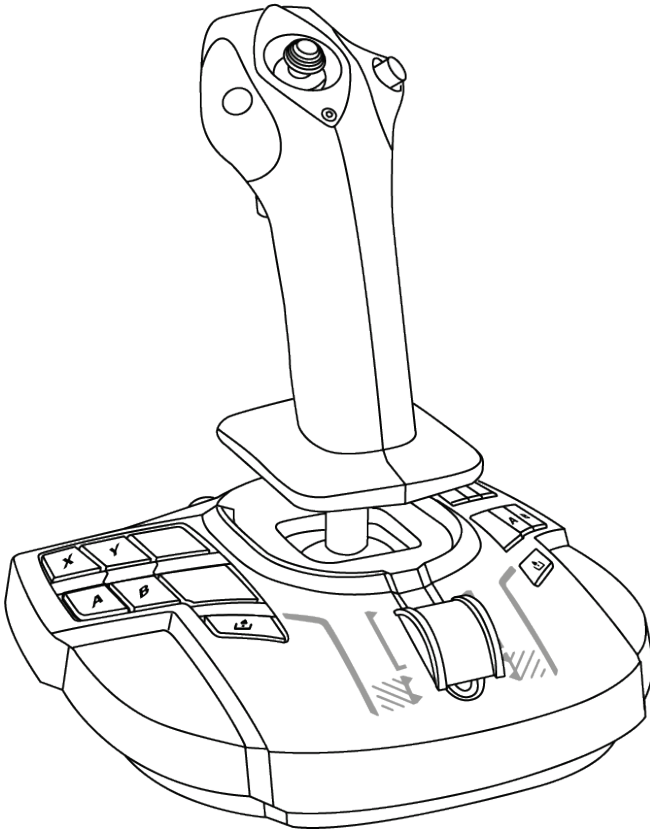
<http://support.thrustmaster.cn>



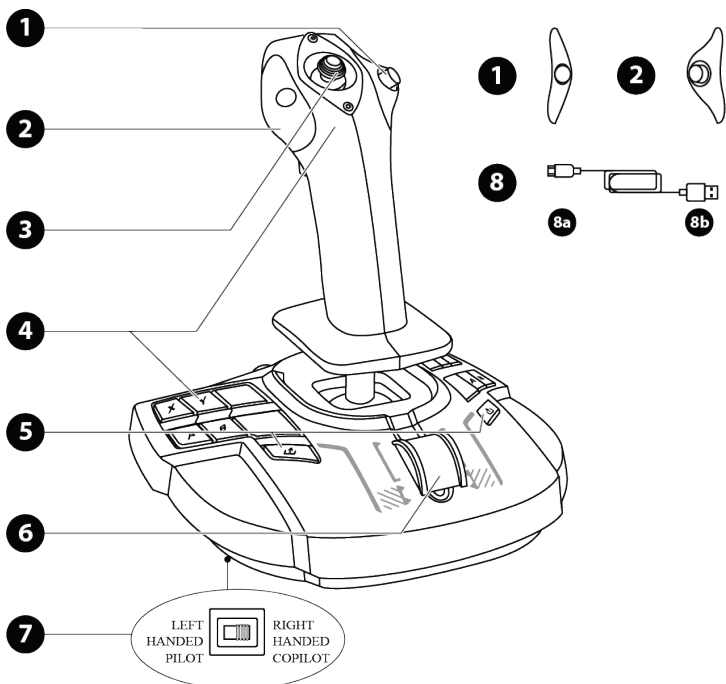
TCA SIDESTICK X AIRBUS EDITION

XBOX SERIES X|S - XBOX ONE - PC

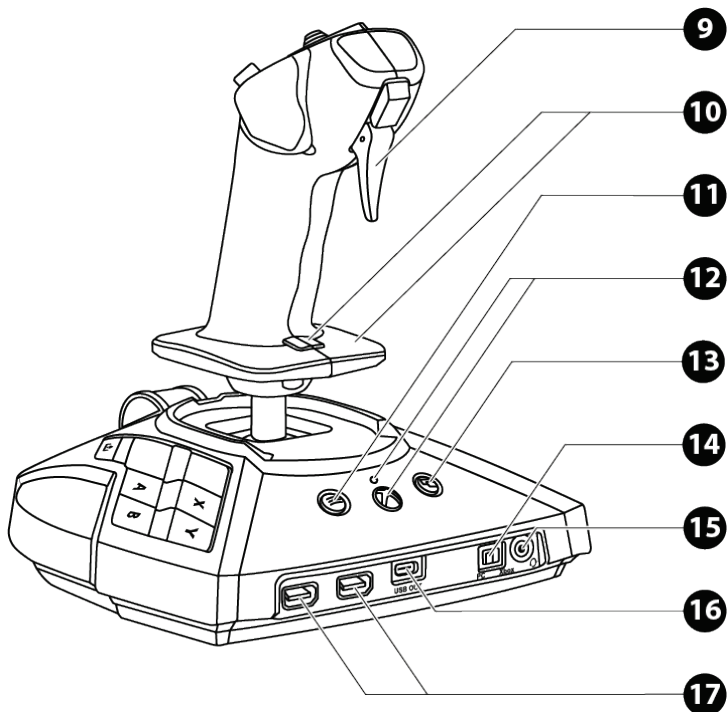
使用者手冊



技術特性



1. 右按鈕模組
2. 左按鈕模組
3. 多向「苦力帽」開關
4. 在 Xbox 上提供 21 個操作按鈕，在 PC 上提供 22 個操作按鈕
5. Share（分享）按鈕（Xbox）
6. 節流閥 + 1 個虛擬按鈕（僅在 PC 上可用）
7. 選取器開關：LEFT HANDED — PILOT（左利手 — 機長）/ RIGHT HANDED — COPILOT（右利手 — 副機長）
8. USB-C (8a) 轉 USB-A (8b) 連接線



9. 數字扳機
10. 方向舵（透過旋轉帶掌托的手柄進行控制）+ 鎖定按鈕
11. Menu（功能表）按鈕（Xbox）
12. Xbox 按鈕 + LED
13. View（視圖）按鈕（Xbox）
14. Xbox / PC 選取器開關
15. 3.5 mm 迷你插孔，用於遊戲耳麥的麥克風接頭*
16. Type-C USB 埠
17. Type-A USB 埠，用於 TCA Quadrant Airbus Edition* 或 TPR 方向舵*

*另售

瞭解您的搖桿

獨創高精度技術

H.E.A.R.T.: HallEffect AccuRate 技術

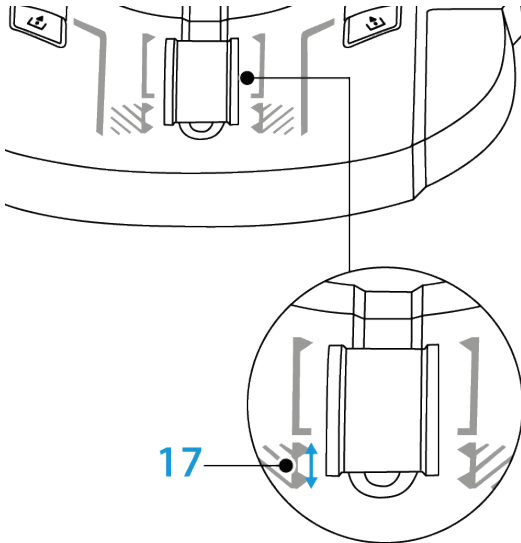
TCA Sidestick X Airbus Edition 搖桿採用高精度技術，具有以下特性：

- 操作桿上裝有 3D（霍爾效應）磁性感應器；
- 磁力技術：無摩擦，從而帶來超乎尋常的精準體驗和難以置信的回應能力；
- 操作桿上裝有發條（2.8 毫米）：可實現穩固、超平滑的線性張力。

節流閥

本搖桿裝有一個節流閥 **(6)**，方便您輕鬆控制飛機的發動機推力。

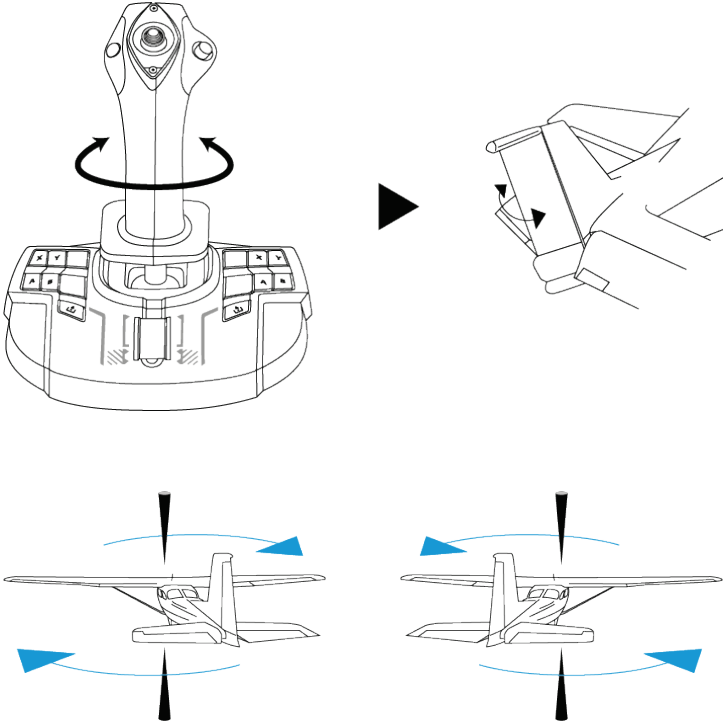
在節流閥行程的前 20% 區段啟用虛擬按鈕（僅在 PC 上可用，PC 對應中編號 17），可啟用反推力裝置。



方向舵功能

本搖桿具有方向舵功能 **(10)**。類似于飛機上飛行員透過操縱方向舵使飛機圍繞其垂直軸旋轉（讓飛機可以左右旋轉）。

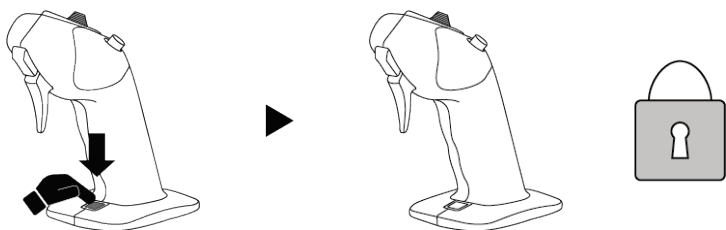
在本搖桿上，可以透過向左或向右旋轉操作桿來實現方向舵功能。



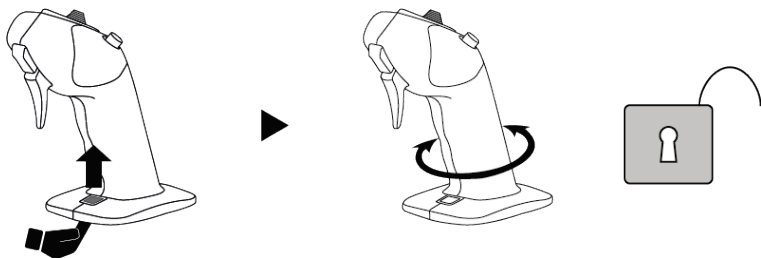
鎖定/解鎖方向舵功能

可以使用搖桿手柄背部的鎖定按鈕來停用方向舵功能。

按此按鈕可鎖定方向舵的軸。



將此按鈕推回上方位置，即可解鎖方向舵軸。



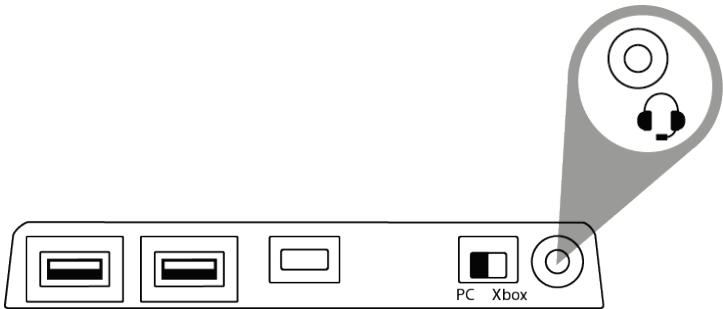
多向「苦力帽」開關

本搖桿配有苦力帽開關 **(3)**，透過該開關可（在支援該功能的遊戲中）即時檢視飛機周圍的情況。若要使用此功能，請進入遊戲的設定功能表，將各個視圖（後視圖、左視圖、右視圖及外部視圖）設定到苦力帽開關的相應方向上。

如果您願意，也可以將「苦力帽」開關設為其他用途（開火等）。

遊戲耳麥的麥克風接頭：

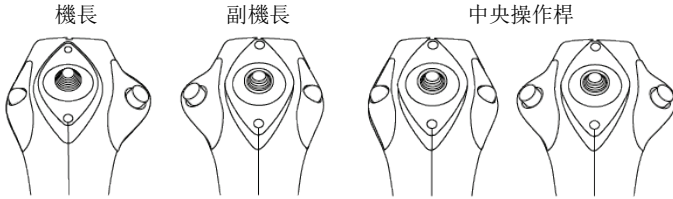
本搖桿配有 3.5 mm 迷你插孔麥克風接頭 **(15)**，可使用帶有內建麥克風的遊戲耳麥以獲得更具沉浸感的體驗。



左右手通用系統並調整模組

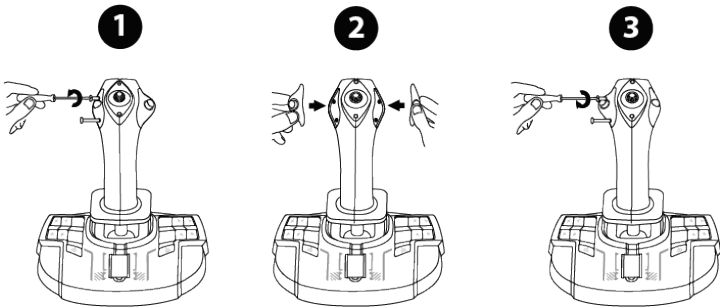
TCA Sidestick X Airbus Edition 搖桿支援左右手，因而適合所有玩家使用，無論他們慣用右手還是左手。

預設情況下，本搖桿被設定為飛行員模式。支援四種設定：



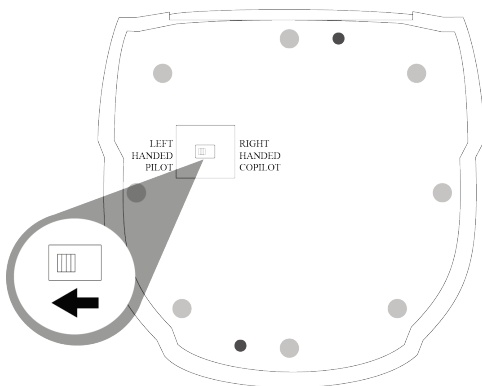
如需修改搖桿的設定，請：

1. 使用一把小螺絲刀，小心地擰松並取下每個按鈕模組上的兩顆螺絲。
2. 根據首選的設定更換模組。
3. 將螺絲裝回並完全擰緊。



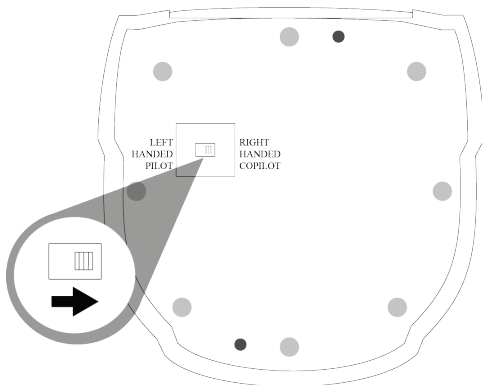
將操作桿設定為左利手（機長）模式

為確定操作桿處於左利手（機長）模式，在連接搖桿之前，先將位於搖桿底座下方的選取器開關 (7) 設為 LEFT HANDED — PILOT。
本產品將被識別為 TCA Sidestick X Pilot。



將操作桿設定為右利手（副機長）模式

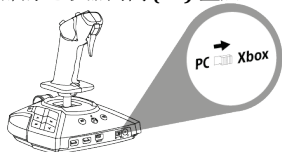
為確定操作桿處於右利手（副機長）模式，在連接搖桿之前，先將位於搖桿底座下方的選取器開關 (7) 設為 RIGHT HANDED — COPILOT。
本產品將被識別為 TCA Sidestick X Copilot。



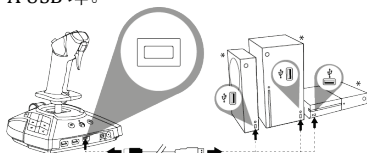
XBOX SERIES X|S / XBOX ONE

安裝到 XBOX SERIES X|S* / XBOX ONE* 上

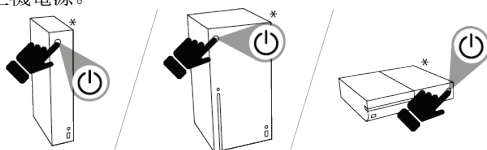
1. 將位於搖桿背部的選取器開關 (14) 置於 Xbox 位置。



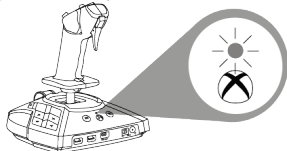
2. 將 USB-C – USB-A 連接線 (8) 連接到搖桿上的 Type-C USB 埠 (16) 及主機上的 Type-A USB 埠。



3. 開啟主機電源。



4. 搖桿的 LED 指示燈呈白色點亮。



5. 啟動支援 Flight Stick 模式的相容遊戲。

現在即可開始玩遊戲了！

*另售

相容的 XBOX SERIES X|S / XBOX ONE 遊戲列表

在 Xbox Series X|S* / Xbox One*、TCA Sidestick X Airbus Edition 上：

- 僅相容支援 Flight Stick 模式的遊戲。
- 在遊戲中被識別為搖桿（而不是遊戲手把），以實現最高回應速度和精度，並可存取這些遊戲中提供的搖桿選項。

相容本搖桿的 Xbox Series X|S / Xbox One 遊戲列表詳見：
<https://support.thrustmaster.com>，位於 Joysticks（搖桿）/ TCA Sidestick X Airbus Edition 部分。

隨著新款 Xbox Series X|S / Xbox One 遊戲（相容於 TCA Sidestick X Airbus Edition）的發佈，我們將會定期補充此列表。

*另售

EN

FR

DE

NL

IT

ES

PT

RU

CS

TR

PL

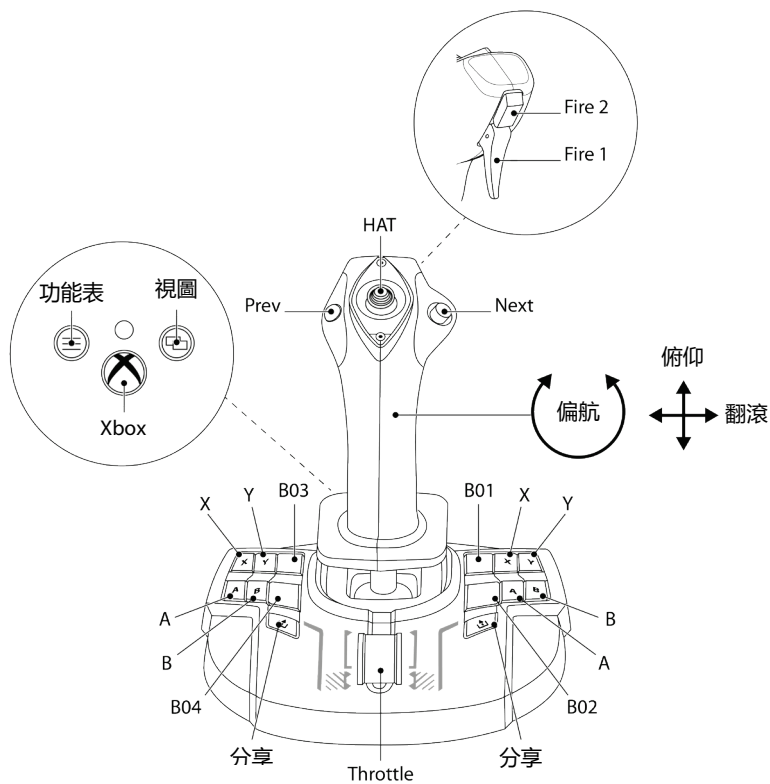
日本語

繁體中文

한국어

العربية

XBOX 對應



TCA SIDESTICK X AIRBUS EDITION 連接（在 XBOX SERIES X|S* / XBOX ONE* 上）

TCA Sidestick X Airbus Edition 具有四個軸，但可直接連接 TCA Quadrant Airbus Edition* 節流閥系統、TCA Quadrant Add-On Airbus Edition* 模組和搖桿背部的 TPR* 方向舵系統。

僅在 Xbox Series X|S* / Xbox One* 上可用，另一個節流閥系統可連接到 TCA Quadrant Airbus Edition*，從而使搖桿可管理多達 9 個額外的軸。

在 Xbox Series X|S* / Xbox One* 上，透過 Type-A USB 埠連接的 Thrustmaster（圖馬思特）相容裝置將會與 TCA Sidestick X Airbus Edition 合併。



Xbox Series X|S* / Xbox One* 僅支援 TCA Quadrant Airbus Edition*、TCA Quadrant Add-On Airbus Edition* 等裝置以及 TPR* 和 TFRP* 方向舵系統。

*另售

EN

FR

DE

NL

IT

ES

PT

RU

CS

TR

PL

日本語

繁體中文

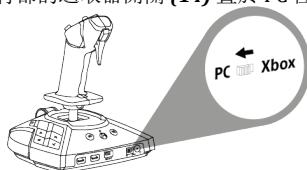
한국어

العربية

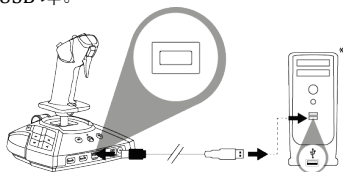
PC

安裝到 PC 上*

1. 前往 <https://support.thrustmaster.com/>。按一下 **Joysticks (搖桿) / TCA Sidestick X Airbus Edition**，然後選取 **Drivers (驅動程式)**。下載並安裝 PC 驅動程式及其基於 Windows 控制台的自訂介面。
2. 將位於搖桿背部的選取器開關 **(14)** 置於 PC 位置。



3. 將 USB-C - USB-A 連接線 **(8)** 连接到搖桿上的 Type-C USB 埠 **(16)** 及 PC 上的 Type-A USB 埠。



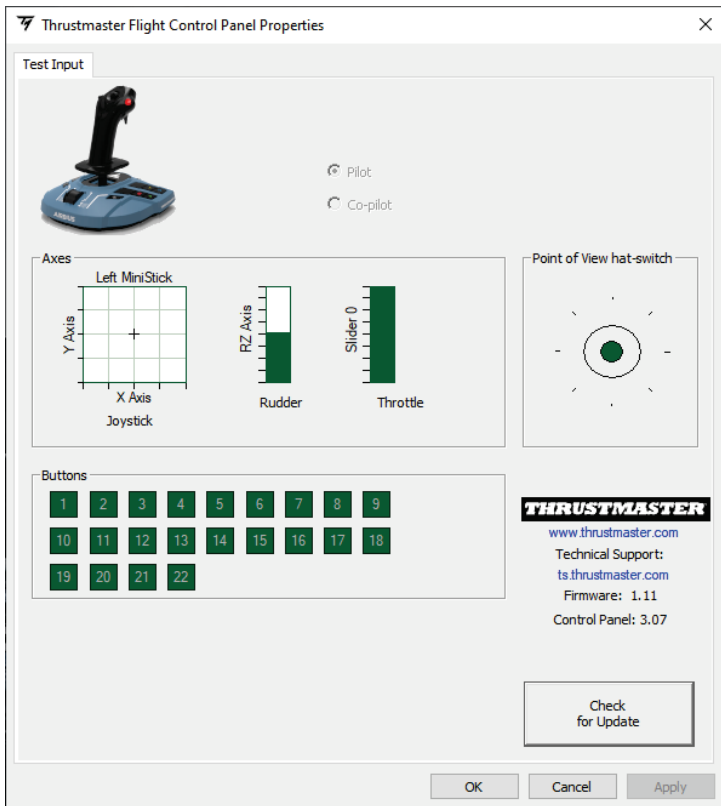
4. 啟動支援 HID 飛行周邊的相容遊戲。

現在即可開始玩遊戲了！

*另售

自訂介面

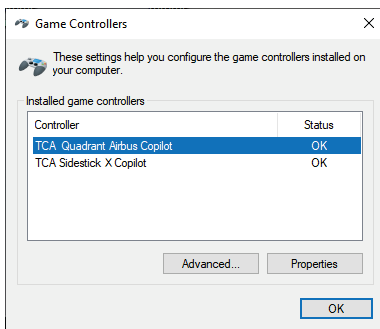
1. 要進入自訂控制台介面，請選取**開始 / 應用 / Thrustmaster / 控制台 (Windows® 10/11)**。
此時將顯示**遊戲控制器**對話方塊。該裝置出現在螢幕上，其名稱顯示為**TCA Sidestick X**，狀態為**正常**。
2. 在**遊戲控制器**對話方塊中，按一下**內容**可測試和檢視所有功能。



TCA SIDESTICK X AIRBUS EDITION 連接（在 PC* 上）

TCA Sidestick X Airbus Edition 具有四個軸，但可直接連接 TCA Quadrant Airbus Edition* 節流閥系統、TCA Quadrant Add-On Airbus Edition* 模組和搖桿背部的 TPR* 方向舵系統。

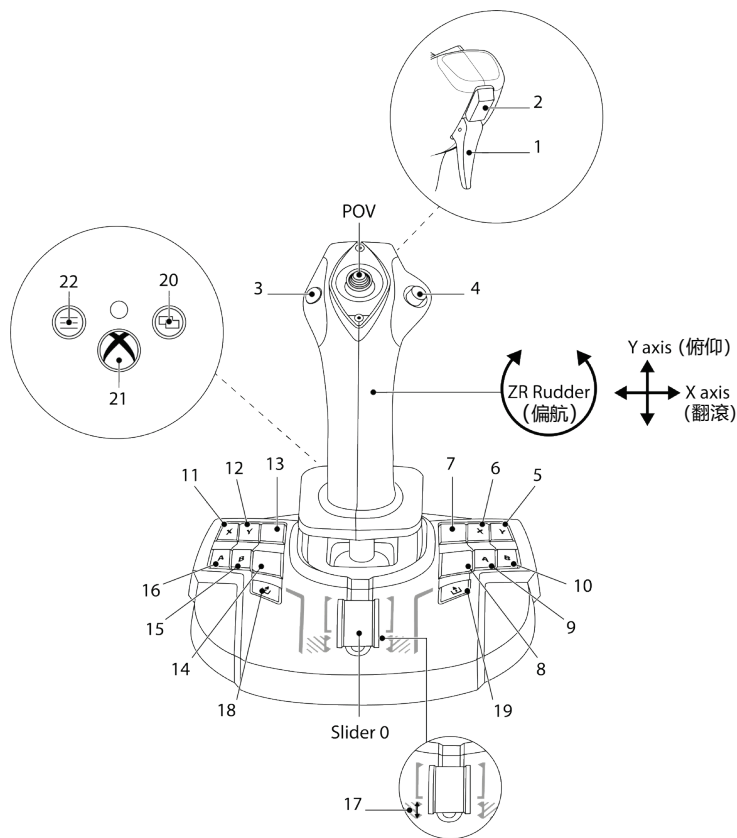
當 TCA Quadrant Airbus Edition* 和 TPR* 方向舵系統或 TFRP* 方向舵系統連接之後，它們會作為虛擬裝置獨立出現在**遊戲控制器**對話方塊中：



連接 TPR* 方向舵系統或 TFRP* 方向舵系統：

- 必須安裝驅動程式，該裝置方可正常運作。
- 如果方向舵系統連接到搖桿或連接到與搖桿相連接的節流閥系統，則方向舵系統的三個軸與虛擬弧座合併（TCA Quadrant Airbus Copilot）。

*另售



安裝 TCA SIDESTICK X AIRBUS EDITION, 以搭配 TCA QUADRANT AIRBUS EDITION* 與 TPR* / TFRP* 方向舵系統使用

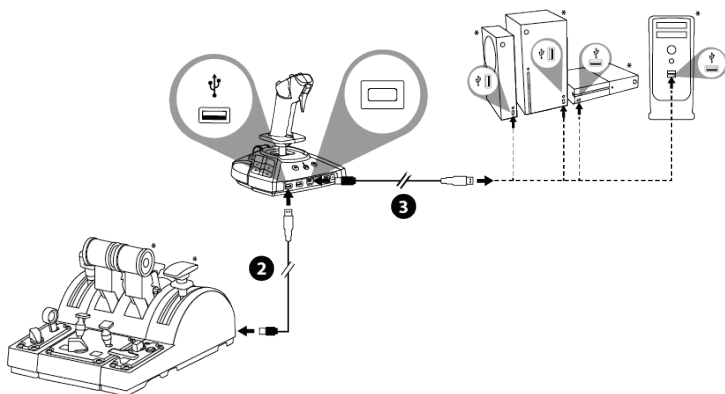
節流閥和加裝模組

搭配 TCA Quadrant Add-On Airbus Edition* 模組的 TCA Quadrant Airbus Edition* 連接到搖桿。

1. 將位於搖桿背部的選取器開關 (14) 置於 Xbox 或 PC 位置。



2. 將 USB-C 轉 USB-A 連接線 (8) 連接到節流閥上的 Type-C USB 埠及位於搖桿背部的 Type-A USB 埠 (17)。
3. 將另一根 USB-C 轉 USB-A 連接線 (8) 連接到搖桿上的 Type-C USB 埠 (16) 及主機或 PC 上的 Type-A USB 埠。



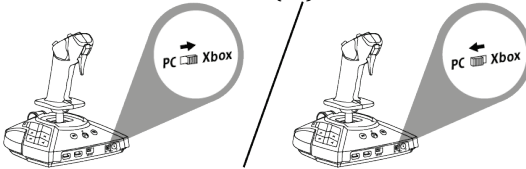
*另售

方向舵系統

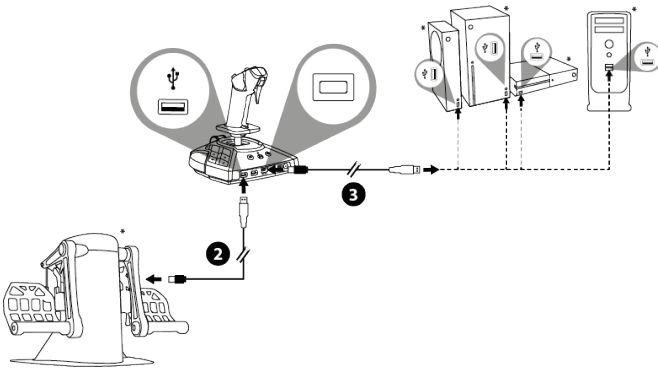
3 個軸專為 TPR* 和 TFRP* 方向舵系統預留。

TPR* 方向舵系統連接到搖桿。

1. 將位於搖桿背部的選取器開關 **(14)** 置於 Xbox 或 PC 位置。



2. 將方向舵系統的 USB-A 轉 USB-B 電纜連線到方向舵系統上的 Type-B USB 埠及位於搖桿背部的 Type-A USB 埠 **(17)**。
3. 將 USB-C 轉 USB-A 連接線 **(8)** 連接到搖桿上的 Type-C USB 埠 **(16)** 及主機或 PC 上的 Type-A USB 埠。



在 Xbox Series X|S* / Xbox One* 上，當 TCA Sidestick X Airbus Edition 已連接兩個 TCA Quadrant Airbus Edition* 節流閥系統時，將無法再連接 TPR* 方向舵系統。

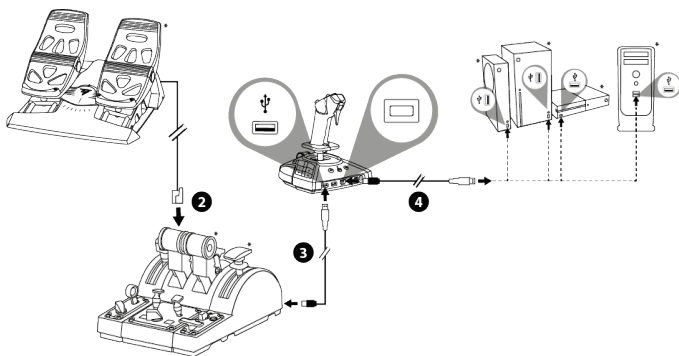
*另售

在您使用 TCA Quadrant Airbus Edition* 時，**TFRP*** 方向舵系統應連接到節流閥系統。

1. 將位於搖桿背部的選取器開關 **(14)** 置於 Xbox 或 PC 位置。



2. 將方向舵系統的 RJ12 接頭連接到位於 TCA Quadrant Airbus Edition 節流閥系統*背部的 RJ12 埠。
3. 將 USB-C 轉 USB-A 連接線 **(8)** 連接到節流閥系統上的 Type-C USB 埠及位於搖桿背部的 Type-A USB 埠 **(17)**。
4. 將另一根 USB-C 轉 USB-A 連接線 **(8)** 連接到搖桿上的 Type-C USB 埠 **(16)** 及主機或 PC 上的 Type-A USB 埠。



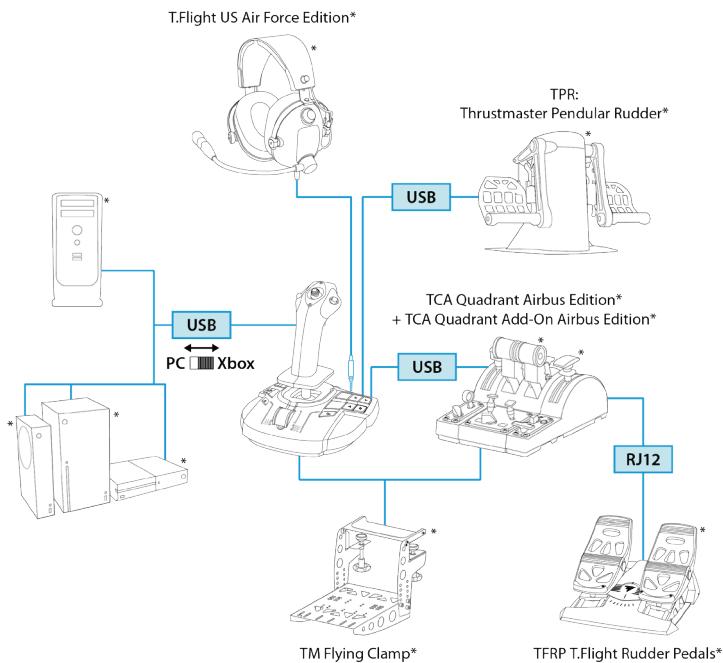
自動校準軸：

- 在將方向舵系統連接到搖桿或節流閥系統時，務必確保方向舵的軸始終居中。切勿將腳放在方向舵上。
- 踏板的 3 個軸在移動幾次之後以及到達方向舵軸和 2 個差動煞車軸的物理限位元之後，會自動進行自校準。

*另售

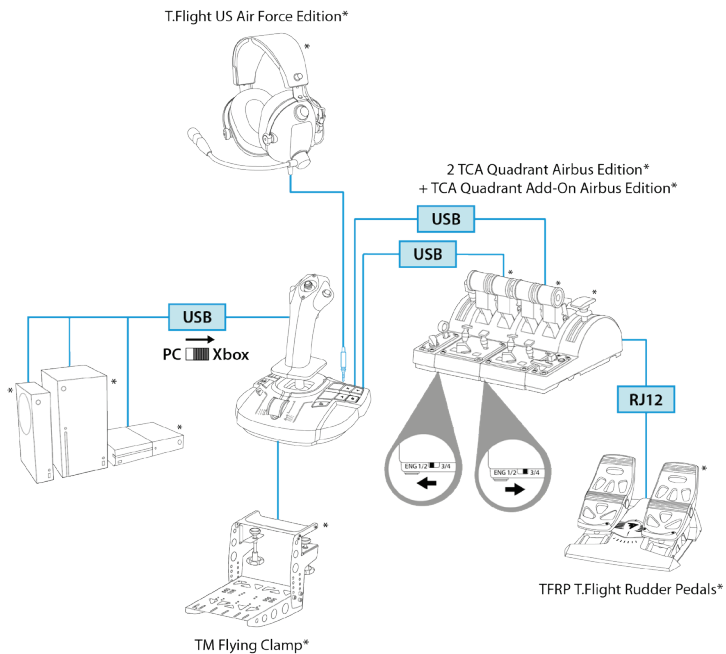
將 TCA SIDESTICK X AIRBUS EDITION 與所有相容產品相連接

XBOX SERIES X|S – XBOX ONE – PC



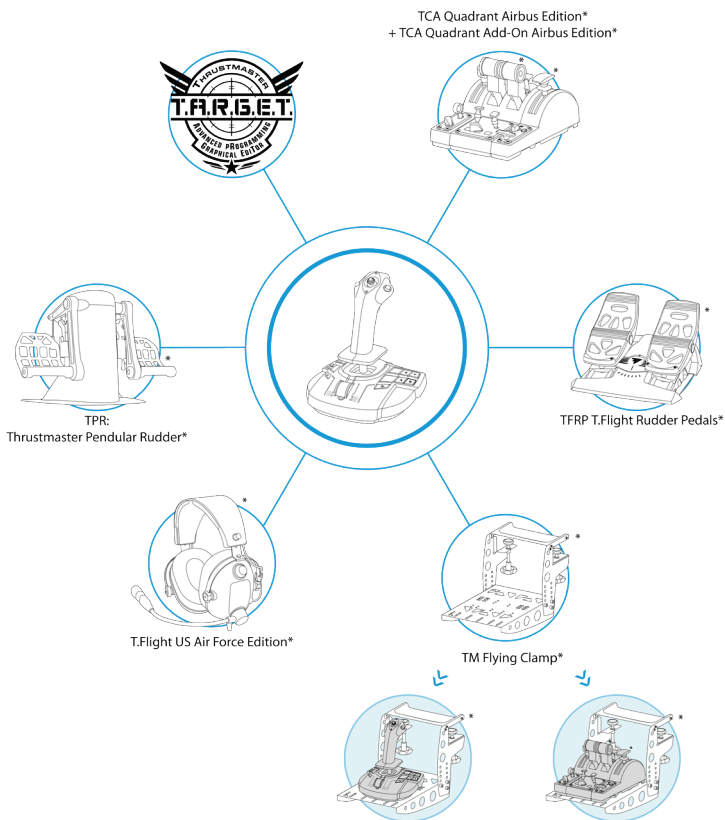
*另售

XBOX SERIES X|S – XBOX ONE – PC



*另售

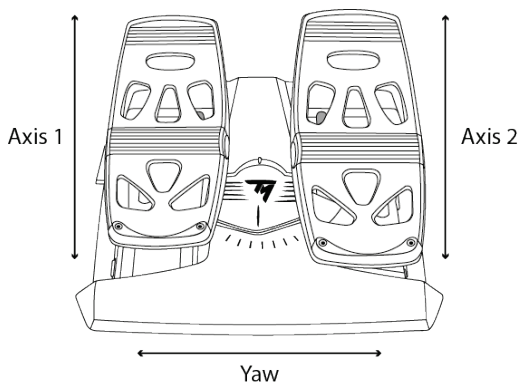
TCA 生態鏈



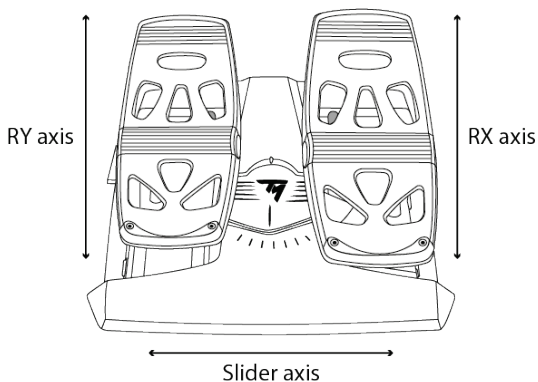
*另售

針對透過 TCA QUADRANT AIRBUS EDITION* 連接到 TCA SIDESTICK X AIRBUS EDITION 的 TFRP* 方向舵系統進行對應

XBOX 對應



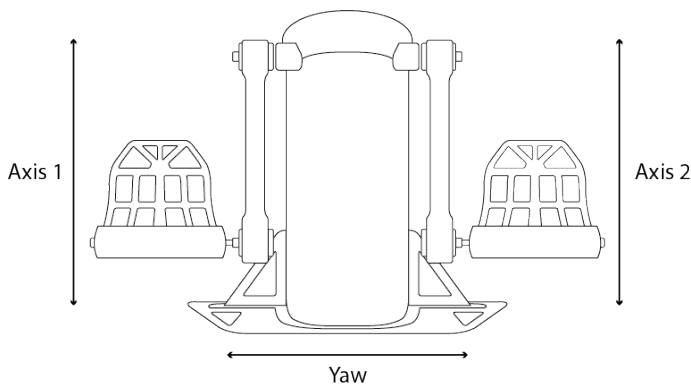
PC 對應



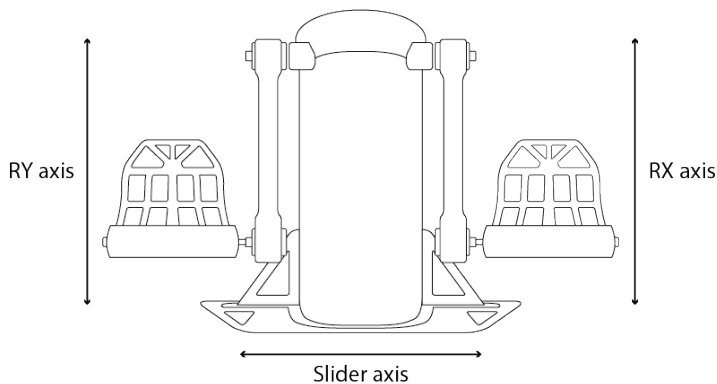
*另售

針對連接到 TCA SIDESTICK X AIRBUS EDITION 的 TPR* 方向舵系統進行對應

XBOX 對應



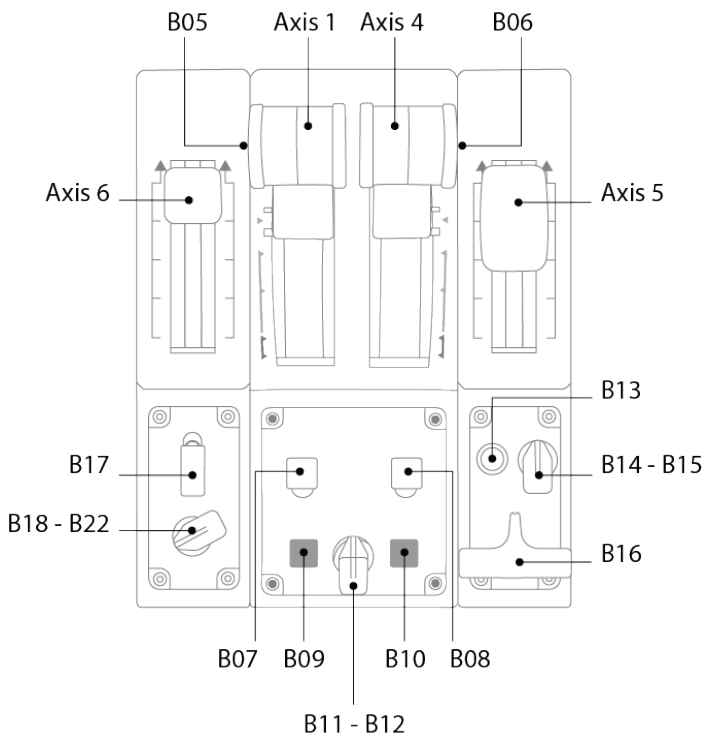
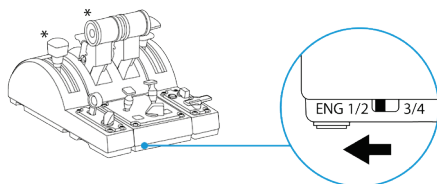
PC 對應



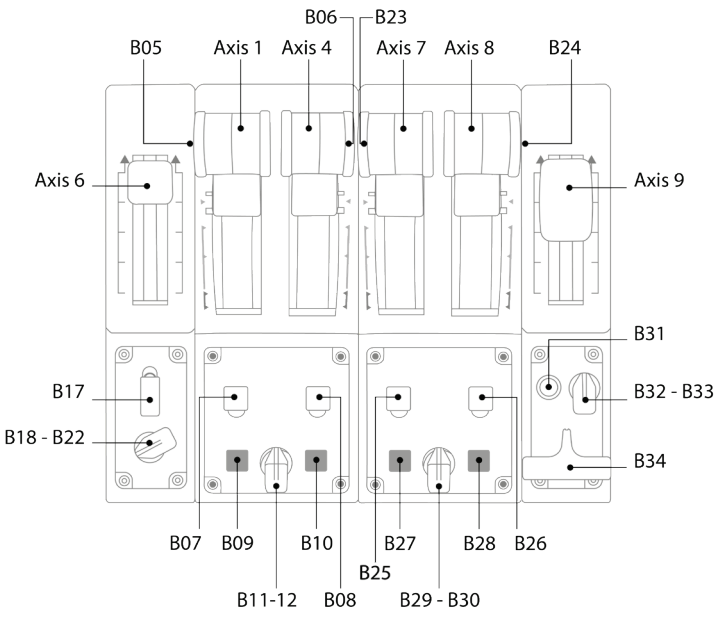
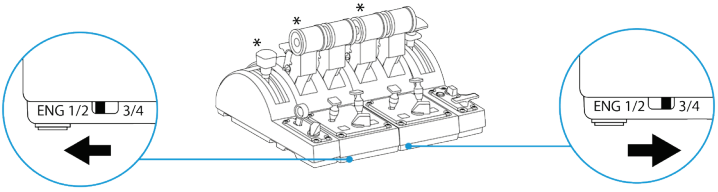
*另售

針對連接到 TCA SIDESTICK X AIRBUS EDITION 的 TCA QUADRANT AIRBUS EDITION* 和 TCA QUADRANT ADD-ON AIRBUS EDITION* 進行對應

XBOX 對應

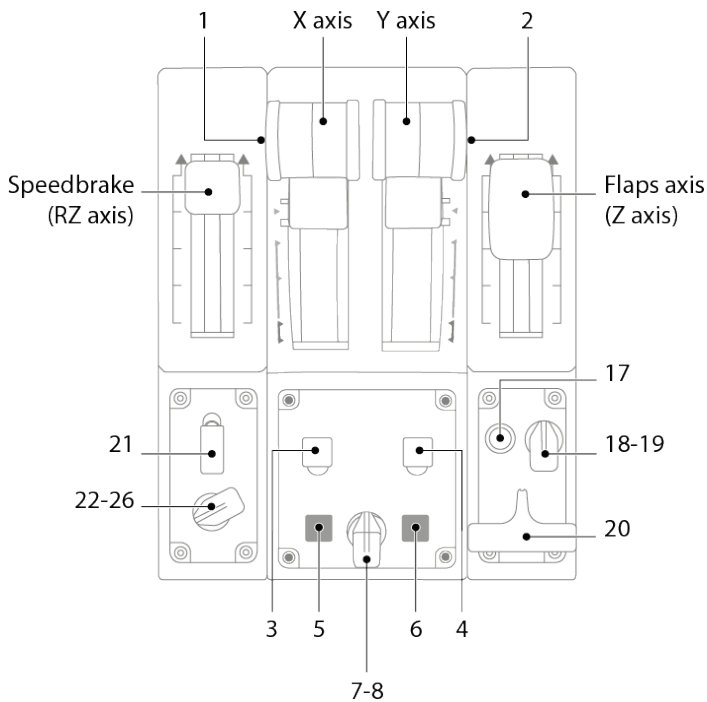
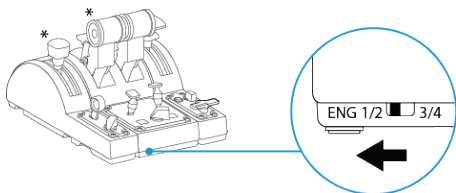


*另售



*另售

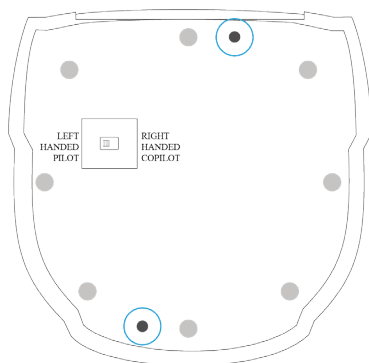
PC 對應



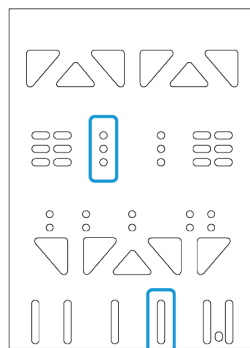
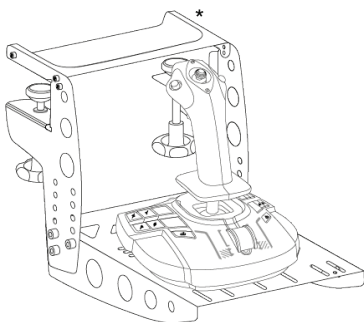
*另售

將 TCA SIDESTICK X AIRBUS EDITION 安裝到 TM FLYING CLAMP*、駕駛艙或其他固定支撐物上

可使用 M6 螺絲（未隨附）透過 TCA Sidestick X Airbus Edition 底部的兩個穿孔將搖桿固定到固定支撐物上。



將 TCA SIDESTICK X AIRBUS EDITION 安裝到 TM FLYING CLAMP* 上：



*另售

更新 TCA SIDESTICK X AIRBUS EDITION 韌體

搖桿內建的韌體可更新，以利用產品的改進功能。

如需顯示搖桿的韌體版本並在必要時進行更新：在 PC 上，前往 <https://support.thrustmaster.com>。按一下 **Joysticks (搖桿) / TCA Sidestick X Airbus Edition / Firmware (韌體)**，然後按照說明以及下載和安裝程式進行操作。



僅支援加裝 TCA Quadrant Add-On Airbus Edition* 模組的 TCA Quadrant Airbus Edition* 節流閥系統以及 TPR* 和 TFRP* 方向舵系統等裝置。

現在即可開始玩遊戲了！

*另售

T.A.R.G.E.T 進階程式設計軟體 (Thrustmaster Advanced pRogramming Graphical EdiTor)

T.A.R.G.E.T (Thrustmaster Advanced pRogramming Graphical EdiTor) 是一款創新的高效能軟體套件，可進一步提升大多數 Thrustmaster (圖馬思特) 飛行控制器的效能，支援使用者與 Thrustmaster (圖馬思特) 社群分享設定檔。

下載 T.A.R.G.E.T

前往 <https://support.thrustmaster.com/>。按一下 **Joysticks (搖桿) / TCA Sidestick X Airbus Edition**，然後選取 **Software (軟體)**。下載並安裝 T.A.R.G.E.T 進階程式設計軟體。

T.A.R.G.E.T 的主要功能：

- 支援不同的軸設定。
- 提供的不同程式設計等級設定：Basic、Advanced 與 Script。
- 採用「拖放」原則。
- 可將 TCA Sidestick X Airbus Edition 與其他 Thrustmaster (圖馬思特) 搖桿 (Hotas Cougar*、Hotas Warthog*、T.16000M* 和 MFD Cougar Pack*，這些裝置也相容於 T.A.R.G.E.T) 搭配使用，使其可被識別為單個 USB 裝置。
- 瀏覽由 Thrustmaster 社群建立的進階設定檔。



*另售

重要事項

連接搖桿時：始終確保操作桿和方向舵居中並避免移動它們，以防出現任何潛在的校準問題。

故障檢修和警告

我的搖桿無法正常工作，或似乎校準不當。

- 在將 USB 連接線連線到主機或 PC 之前，請確認選取器開關 **(14)** 處於正確的位置（Xbox 或 PC）。
- 關閉主機或 PC 電源，斷開搖桿連接，然後重新連接搖桿並重啟遊戲。
- 連接搖桿時，確保操作桿和方向舵居中並避免移動它們，以防出現任何潛在的校準問題。

我無法設定我的搖桿：

- 在遊戲的**選項 / 控制器 / 遊戲手把或搖桿**功能表中，選取適當的設定，或重新設定控制器選項。
- 有關詳細資訊，請參閱遊戲的使用者手冊或線上說明。

我的搖桿太敏感或不夠敏感。

- TCA Sidestick X Airbus Edition 在不同的軸上移動幾次之後會自動執行自校準。
- 在遊戲的**選項 / 控制器 / 遊戲手把或搖桿**菜單中，調整控制器的敏感度和盲區（如果這些選項可用）。

TCA Sidestick X Airbus Edition 麥克風接頭無法正常工作。

- TCA Sidestick X Airbus Edition 配有 USB 音訊裝置。首次將 USB 音訊裝置連接到 Windows 時，所有麥克風的預設音量設定為零。
- 如需解決此問題，請進入 TCA Sidestick X Airbus Edition 麥克風接頭的 Windows 音訊設定並將音量設定為 100%。

在 PC 上，已連接的裝置無法正常工作。

- 安裝 PC 驅動程式。前往 <https://support.thrustmaster.com/>。按一下 **Joysticks (搖桿) / TCA Sidestick X Airbus Edition**，然後選取 **Drivers (驅動程式)**。下載並安裝 PC 驅動程式及其基於 Windows 控制台的自訂介面。



本裝置的設計用途僅限於遊戲娛樂。嚴禁使用本裝置進行專業訓練活動。

版權所有

© 2022 Guillemot Corporation S.A. 保留所有權利。圖馬思特® 為 Guillemot Corporation S.A 的註冊商標。

AIRBUS 及其徽標和商標及服務標誌是 Airbus 的註冊商標。保留所有權利。© Airbus 2022。保留所有權利。獲得 Airbus 官方授權。

Microsoft、Xbox、Xbox 「球形」設計、Xbox Series X|S、Xbox One 和 Windows 10/11 是 Microsoft 集團公司的商標。

產品內容、設計和規格如有變更，恕不另行通知，並可能會視乎國家而不同。中國製造。

環保建議

請遵從當地法規，正確回收電子類零件。

請妥善保存本說明書。產品顏色與裝飾可能有異。

使用本產品前請先拆除塑膠扣件與膠帶。



EN

FR

DE

NL

IT

ES

PT

RU

CS

TR

PL

日本語

繁體中文

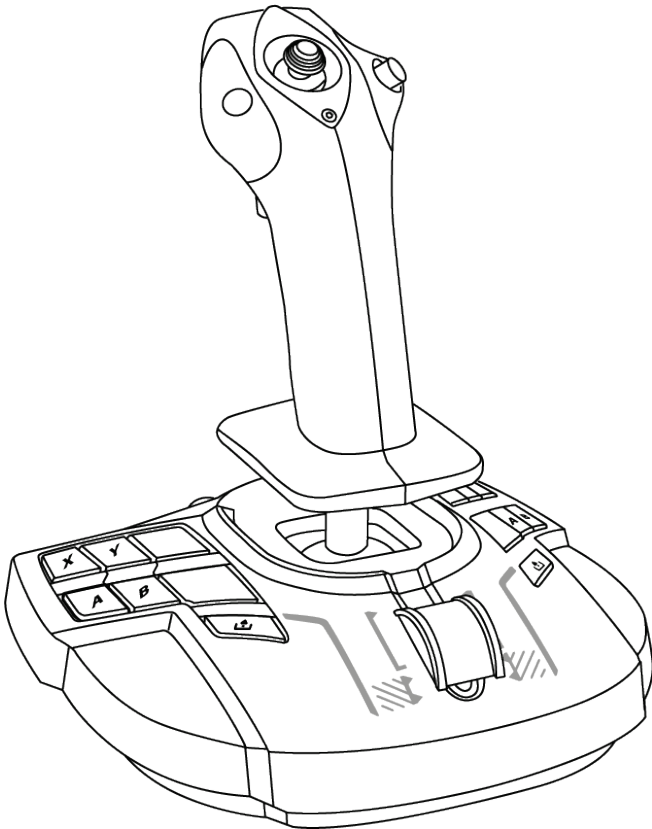
한국어

العربية

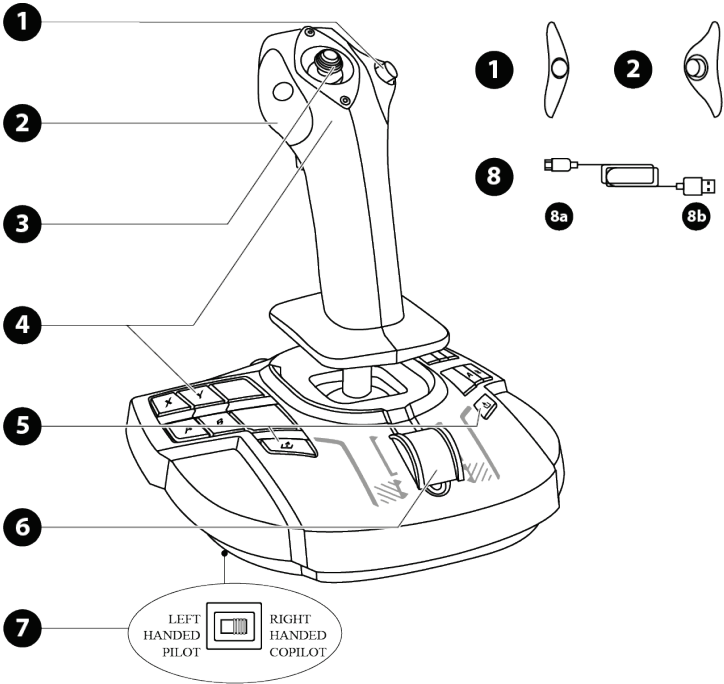
TCA SIDESTICK X AIRBUS EDITION

XBOX SERIES X|S — XBOX ONE — PC

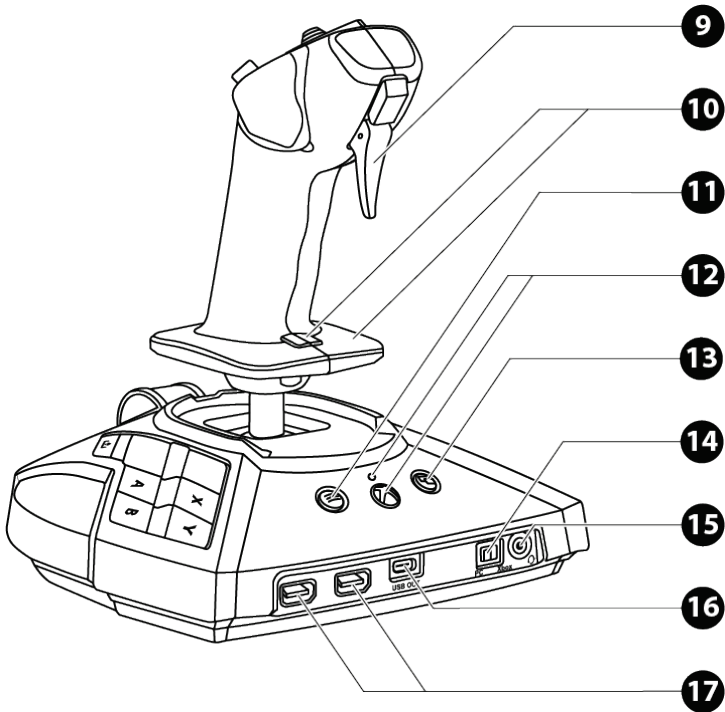
사용설명서



기술적 특징



1. 오른쪽 버튼 모듈
2. 좌측 버튼 모듈
3. 다방향 “시점” 헤트 스위치
4. 동작 버튼 21개(Xbox), 동작 버튼 22개(PC)
5. 공유 버튼(Xbox)
6. 스로틀 + 가상 버튼 1개(PC에만)
7. 셀렉터 스위치: LEFT HANDED — PILOT (왼손잡이 — 파일럿) / RIGHT HANDED — COPILOT (오른손잡이 — 코파일럿)
8. USB-C (8a) — USB-A (8b) 케이블



- 9. 디지털 트리거
- 10. 손 받침대 + 잠금 버튼이 있는 회전 핸들을 통한 러더 컨트롤
- 11. 메뉴 버튼(Xbox)
- 12. Xbox 버튼 + LED
- 13. 보기 버튼(Xbox)
- 14. Xbox/PC 선택 스위치
- 15. 게임 헤드셋용 3.5mm 미니잭 마이크 커넥터*
- 16. Type-C USB 포트
- 17. Type-A USB 포트(TCA Quadrant Airbus Edition* 또는 TPR 러더*용)

* 별도 판매

조이스틱 알아보기

독점적인 정밀 기술

H.E.A.R.T: HallEffect AccuRate Technology

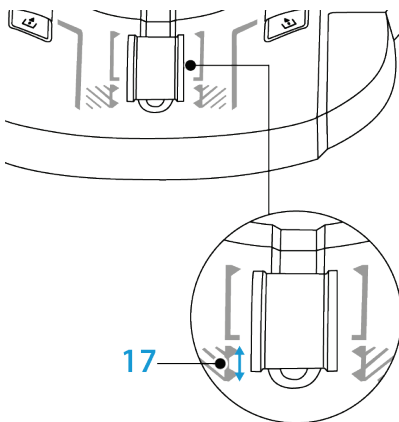
TCA Sidestick X Airbus Edition 조이스틱은 다음과 같은 기능과 함께 고정밀 기술을 탑재한 것이 특징입니다.

- 스틱에 위치한 3D(Hall Effect) 마그네틱 센서,
- 자석: 마찰 없음, 제한 없이 정밀하며 놀라울 정도로 뛰어난 반응성이 지속됩니다,
- 스틱의 코일 스프링(2.8 mm): 단단하고, 선형이며 아주 부드러운 장력.

스로틀

조이스틱은 항공기의 엔진 추진력을 쉽게 제어하는데 사용할 수 있는 스로틀 (6)을 특징으로 합니다.

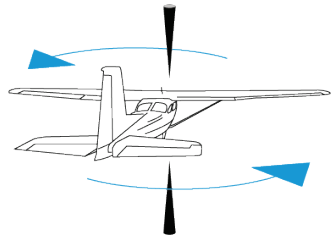
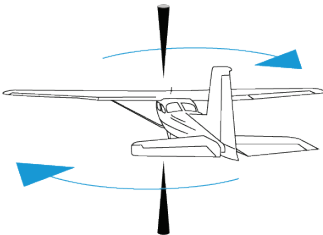
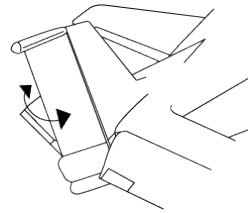
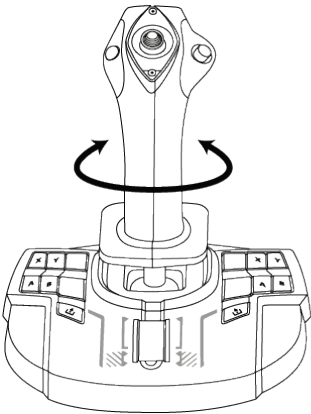
역추진 장치를 작동시키기 위해 스로틀 이동의 처음 20 퍼센트에서 PC 에서만 사용 가능한 가상 버튼(PC 매핑에서 번호 17)이 활성화됩니다.



러더 기능

조이스틱에는 러더 기능(10)이 탑재되어 있습니다. 항공기에서 파일럿은 수직축을 중심으로 항공기를 선회하기 위해 러더를 조종합니다(비행기가 왼쪽 또는 오른쪽으로 회전).

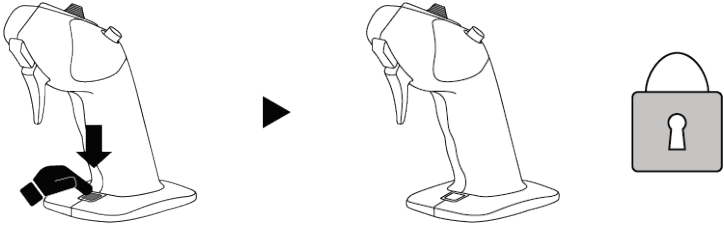
이 러더 기능은 스틱을 왼쪽 또는 오른쪽으로 회전(즉, 비틀기)함으로써 조이스틱에서 사용 가능합니다.



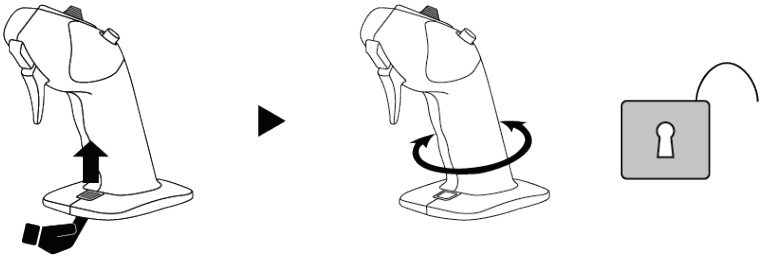
러더 기능 잠금/해제

러더 기능은 조이스틱 핸들 뒷면에 있는 잠금 버튼을 사용하여 비활성화할 수 있습니다.

러더의 축을 잠그려면 이 버튼을 누르십시오.



러더의 축을 잠금 해제하려면 이 버튼을 다시 상부 위치에 놓습니다.



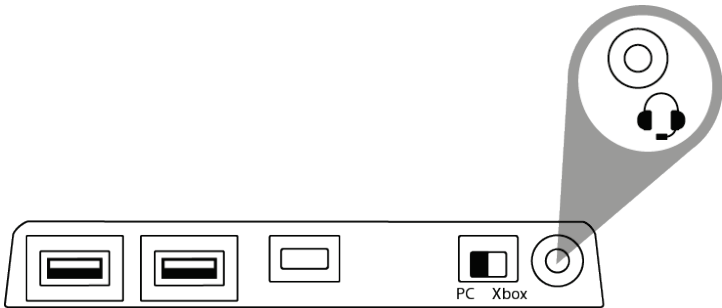
다방향 “시점” 해트 스위치

조이스틱에는 “시점” 해트 스위치(3)가 탑재되어 있으며, 이를 통해 항공기 주변에서 일어나는 모든 것(이 기능이 활성화된 게임에서)을 즉시 볼 수 있습니다. 이 기능을 사용하려면 게임의 설정 메뉴로 가서 “시점” 해트 스위치의 방향에서 서로 다른 보기(후면 보기, 왼쪽 보기, 오른쪽 보기, 외부 보기)를 설정하기만 하면 됩니다.

원한다면, 다른 용도(발사, 등)로 “시점” 해트 스위치를 지정할 수도 있습니다.

게임 헤드셋용 마이크 커넥터

조이스틱에는 3.5mm 미니 잭 마이크 커넥터(15)가 탑재되어 있어 이를 통해 내장 마이크가 있는 게임 헤드셋을 사용할 수 있으므로 게임 환경에 더욱 더 몰입할 수 있습니다.

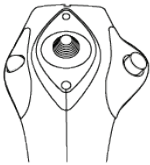


양손잡이 시스템 및 모듈 조정

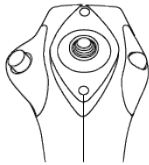
TCA Sidestick X Airbus Edition 조이스틱은 양손잡이 기능을 제공하므로 오른손잡이 또는 왼손잡이와 관계없이 모든 플레이어에게 완벽하게 적응할 수 있는 장점이 있습니다.

기본적으로, 조이스틱은 파일럿 모드로 설정되어 있습니다. 다음과 같은 네 가지 구성이 가능합니다.

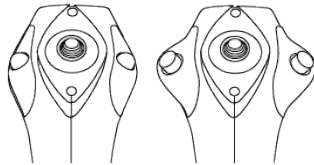
파일럿



코파일럿

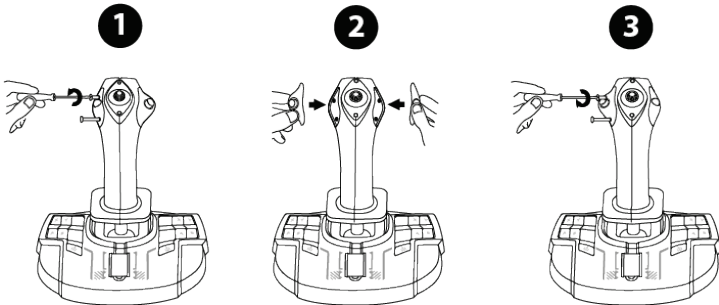


센터 스틱



조이스틱 구성을 수정하는 방법:

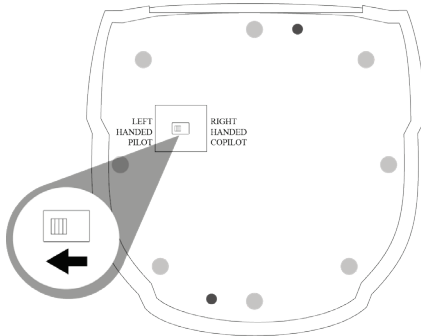
1. 작은 드라이버를 사용하여 각 버튼 모듈의 나사 2 개를 조심스럽게 풀어 분리합니다.
2. 선호하는 설정에 따라 모듈을 변경합니다.
3. 나사를 다시 고정한 다음 완전히 조여줍니다.



왼손잡이(파일럿) 모드에서 스틱 구성하기

조이스틱이 왼손잡이(파일럿) 모드에 있도록 하려면 조이스틱을 연결하기 전에 조이스틱의 베이스 아래에 있는 선택터 스위치(7)를 LEFT HANDED – PILOT 에 놓으십시오.

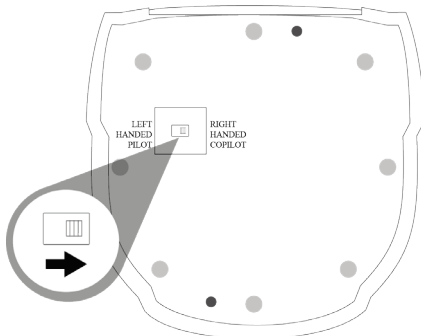
그러면 제품이 TCA Sidestick X Pilot 으로 인식됩니다.



오른손잡이(코파일럿) 모드에서 스틱 구성하기

조이스틱이 오른손잡이(코파일럿) 모드에 있도록 하려면 조이스틱을 연결하기 전에 조이스틱의 베이스 아래에 있는 선택터 스위치(7)를 RIGHT HANDED – COPILOT 에 놓으십시오.

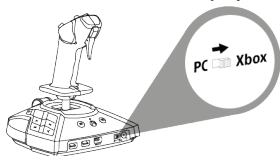
그러면 제품이 TCA Sidestick X Copilot 으로 인식됩니다.



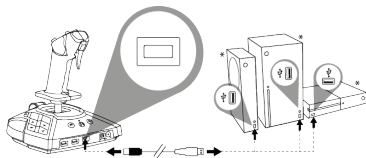
XBOX SERIES X|S / XBOX ONE

XBOX SERIES X|S / XBOX ONE에 설치

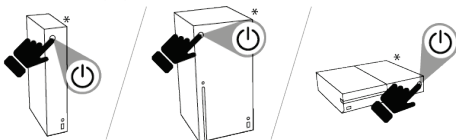
1. 조이스틱 뒤쪽에 있는 셀렉터 스위치(14)를 Xbox 위치에 놓으십시오.



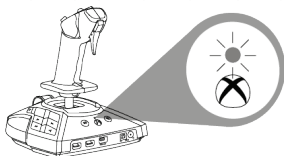
2. USB-C – USB-A 케이블(8)을 조이스틱의 Type-C USB 포트(16)와 콘솔의 Type-A USB 포트에 연결하십시오.



3. 콘솔의 전원을 켭니다.



4. 조이스틱의 LED 표시등에 하얀색 불이 들어옵니다.



5. (Flight Stick 모드를 지원하는) 호환 가능한 게임을 시작합니다.

이제 레이싱 준비가 되었습니다!

* 별도 판매

호환 가능한 XBOX SERIES X|S / XBOX ONE 게임 목록

Xbox Series X|S* / Xbox One*, TCA Sidestick X Airbus Edition:

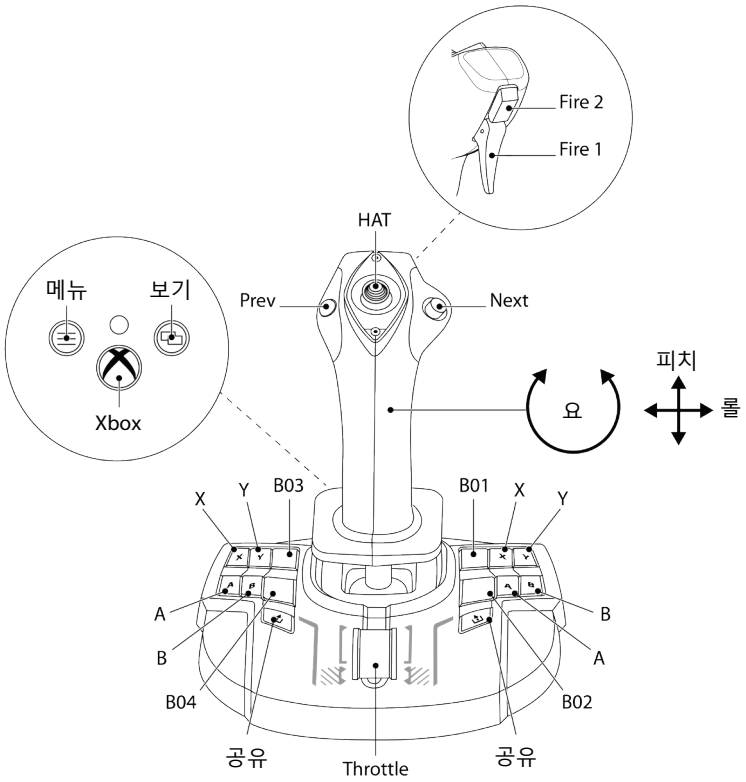
- Flight Stick 모드를 지원하는 게임만 호환 가능합니다.
- 게임상에서 게임패드가 아닌 조이스틱으로 인식되므로 최대의 반응성과 정밀함을 느낄 수 있으며 이러한 게임에서 사용할 수 있는 조이스틱 옵션에 액세스할 수도 있습니다.

이 조이스틱과 호환 가능한 Xbox Series X|S / Xbox One 게임 목록은 <https://support.thrustmaster.com> 의 **Joysticks(조이스틱) / TCA Sidestick X Airbus Edition** 섹션에서 확인하실 수 있습니다.

이 목록은 TCA Sidestick X Airbus Edition 과 호환 가능한 신규 Xbox Series X|S / Xbox One 게임이 출시되면 정기적으로 추가됩니다.

** 별도 판매*

XBOX 매핑



XBOX SERIES X|S* / XBOX ONE*에서 TCA SIDESTICK X AIRBUS EDITION 연결

TCA Sidestick X Airbus Edition에는 축이 4개 있지만 이를 통해 TCA Quadrant Airbus Edition* 스토틀 시스템, TCA Quadrant Add-On Airbus Edition* 모듈, 조이스틱 뒤쪽에 있는 TPR* 리더 시스템을 직접 연결할 수 있습니다.

Xbox Series X|S* / Xbox One*에서만 두 번째 스토틀 시스템을 TCA Quadrant Airbus Edition*에 연결할 수 있으며 이를 통해 조이스틱이 최대 9개의 추가 축을 관리할 수 있습니다.

Xbox Series X|S* / Xbox One*에서 Type-A USB 포트를 통해 연결된 호환되는 Thrustmaster 장치는 TCA Sidestick X Airbus Edition과 병합됩니다.



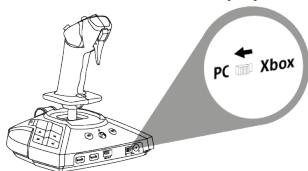
Xbox Series X|S* / Xbox One*에서 지원되는 장치는 TCA Quadrant Airbus Edition*, TCA Quadrant Add-On Airbus Edition*, TPR* 및 TFRP* 리더 시스템뿐입니다.

* 별도 판매

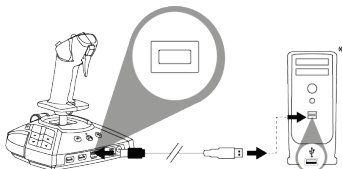
PC

PC 설치*

1. <https://support.thrustmaster.com> 으로 이동합니다. Joysticks(조이스틱) / TCA Sidestick X Airbus Edition 을 클릭하고 Drivers(드라이버)를 선택합니다. PC 드라이버와 Windows 제어판용 맞춤형 인터페이스를 다운로드 및 설치합니다.
2. 조이스틱 뒤쪽에 있는 셀렉터 스위치(14)를 PC 위치에 놓으십시오.



3. USB-C — USB-A 케이블(8)을 조이스틱의 Type-C USB 포트(16)와 PC*의 Type-A USB 포트에 연결하십시오.



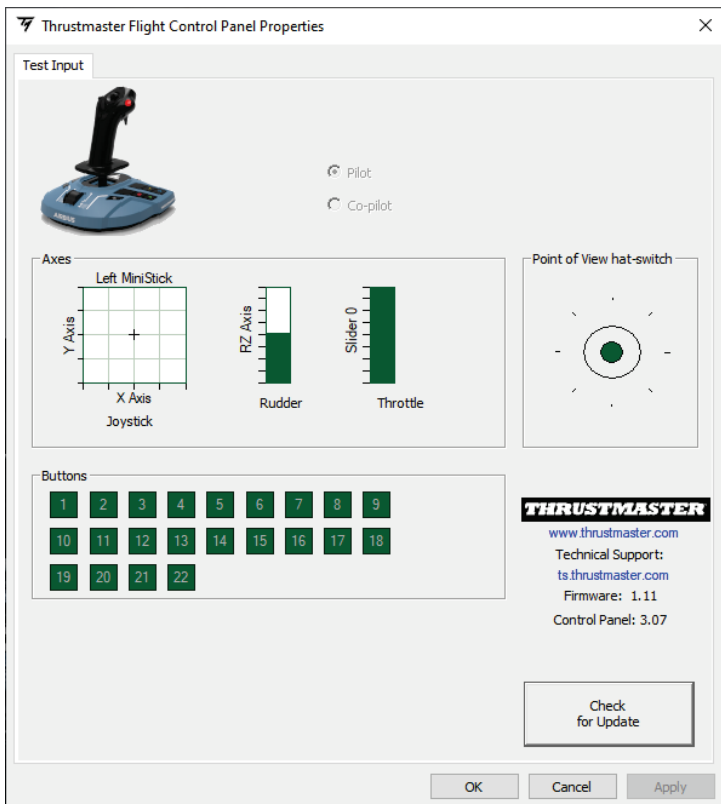
4. HID 비행 주변 장치를 지원하는 호환 게임을 시작합니다.

이제 레이싱 준비가 되었습니다!

* 별도 판매

사용자 맞춤형 인터페이스

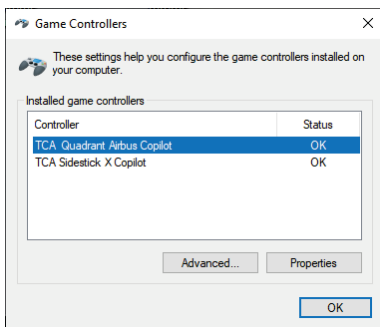
1. 사용자 맞춤형 제어판 인터페이스에 접근하려면 **시작 / 앱 / Thrustmaster / 제어판**(Windows® 10/11 에서)을 선택합니다.
게임 컨트롤러 대화 상자가 표시됩니다. 이름이 **TCA Sidestick X** 이고 상태가 **OK** 인 장치가 화면에 표시됩니다.
2. **게임 컨트롤러** 대화상자에서 **속성**을 클릭하여 모든 기능을 테스트하고 확인합니다.



PC*에서 TCA SIDESTICK X AIRBUS EDITION 연결

TCA Sidestick X Airbus Edition에는 축이 4개 있지만 이를 통해 TCA Quadrant Airbus Edition* 스로틀 시스템, TCA Quadrant Add-On Airbus Edition* 모듈, 조이스틱 뒤쪽에 있는 TPR* 리더 시스템을 직접 연결할 수 있습니다.

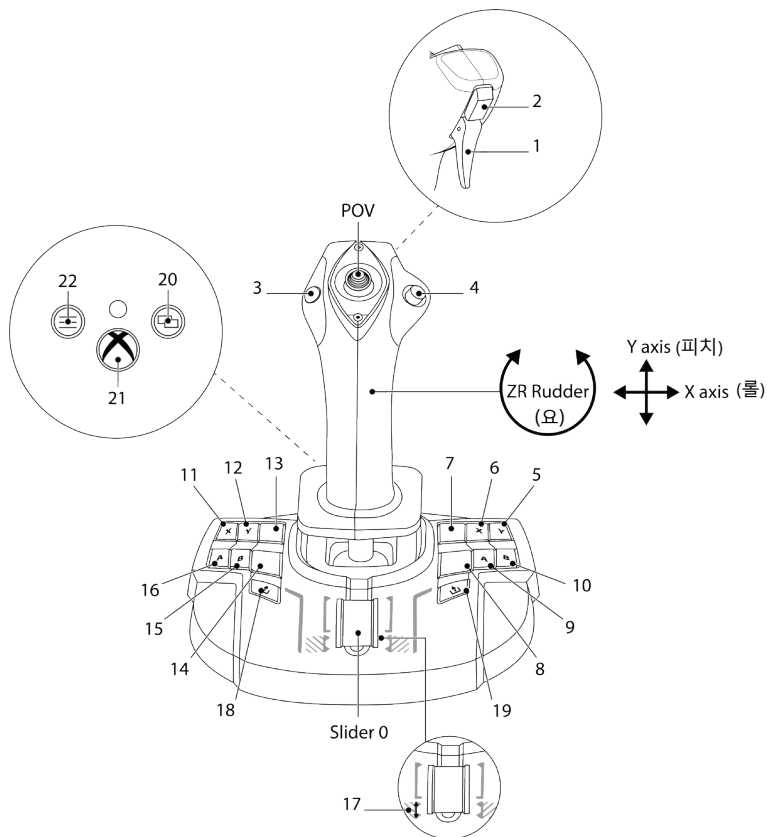
TCA Quadrant Airbus Edition* 및 TPR* 리더 시스템 또는 TFRP* 리더 시스템이 연결되어 있으면 **게임 컨트롤러** 대화 상자에 가상 장치로 다음과 같이 독립적으로 표시됩니다.



TPR* 리더 시스템 또는 TFRP* 리더 시스템 연결하기:

- 장치가 제대로 작동하려면 드라이버를 설치해야 합니다.
- 리더 시스템이 조이스틱 또는 조이스틱에 연결된 스로틀 시스템에 연결되어 있으면 리더 시스템의 세 축이 가상 쿼드런트(TCA Quadrant Airbus Copilot)와 병합됩니다.

* 별도 판매

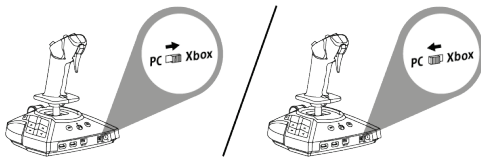


TCA QUADRANT AIRBUS EDITION* 및 TPR* 및 TFRP* 러더 시스템과 결합된 TCA SIDESTICK X AIRBUS EDITION 설치하기

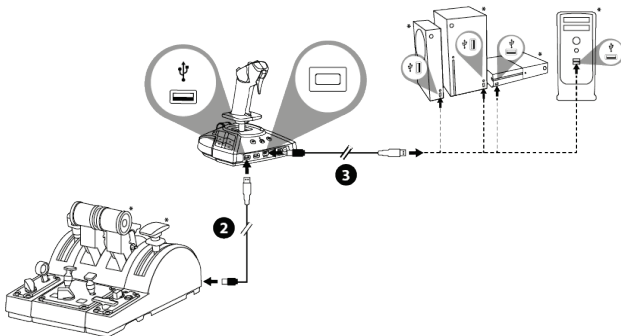
스로틀 및 애드온 모듈

TCA Quadrant Add-On Airbus Edition* 모듈과 연결된 TCA Quadrant Airbus Edition*이 조이스틱에 연결됩니다.

1. 조이스틱 뒤쪽에 있는 셀렉터 스위치(14)를 Xbox 또는 PC 위치에 놓으십시오.



2. USB-C — USB-A 케이블(8)을 스로틀의 Type-C USB 포트와 조이스틱 뒤쪽에 있는 Type-A USB 포트(17)에 연결하십시오.
3. 두 번째 USB-C — USB-A 케이블(8)을 조이스틱의 Type-C USB 포트(16)와 콘솔 또는 PC의 Type-A USB 포트에 연결하십시오.



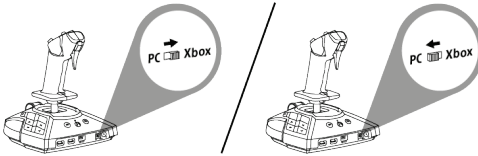
* 별도 판매

러더 시스템

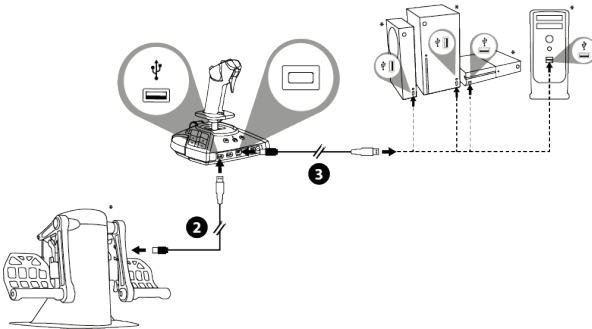
3 개 측은 TPR* 또는 TFRP* 러더 시스템용입니다.

TPR* 러더 시스템은 조이스틱에 연결됩니다.

1. 조이스틱 뒤쪽에 있는 셀렉터 스위치(14)를 Xbox 또는 PC 위치에 놓으십시오.



2. USB-A — USB-B 케이블을 러더 시스템의 Type-B USB 포트와 조이스틱 뒤쪽에 있는 Type-A USB 포트(17)에 연결하십시오.
3. USB-C — USB-A 케이블(8)을 조이스틱의 Type-C USB 포트(16)와 콘솔 또는 PC의 Type-A USB 포트에 연결하십시오.

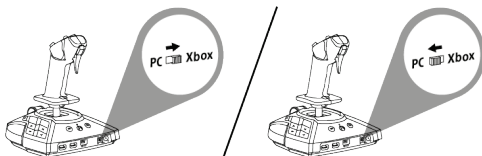


Xbox Series X|S* / Xbox One*에서 TCA Quadrant Airbus Edition* 스틱 시스템 2 개가 TCA Sidestick X Airbus Edition 에 이미 연결되어 있으면 TPR* 러더 시스템을 연결하는 것은 불가능합니다.

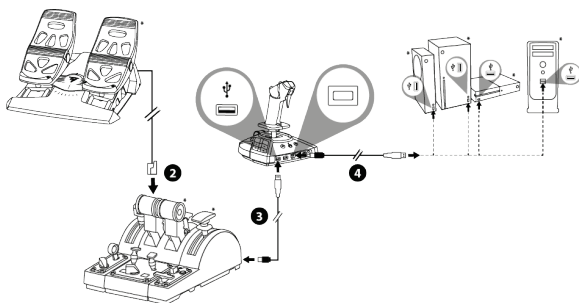
* 별도 판매

TCA Quadrant Airbus Edition*을 사용하고 있으면 **TFRP*** 러더 시스템이 스로틀 시스템에 연결됩니다.

1. 조이스틱 뒤쪽에 있는 셀렉터 스위치(14)를 Xbox 또는 PC 위치에 놓으십시오.



2. 러더 시스템의 RJ12 커넥터를 TCA Quadrant Airbus Edition 스로틀 시스템의 뒤쪽에 있는 RJ12 포트에 연결하십시오.
3. USB-C — USB-A 케이블(8)을 스로틀 시스템의 Type-C USB 포트와 조이스틱 뒤쪽에 있는 Type-A USB 포트(17)에 연결하십시오.
4. 두 번째 USB-C — USB-A 케이블(8)을 조이스틱의 Type-C USB 포트(16)와 콘솔 또는 PC의 Type-A USB 포트에 연결하십시오.



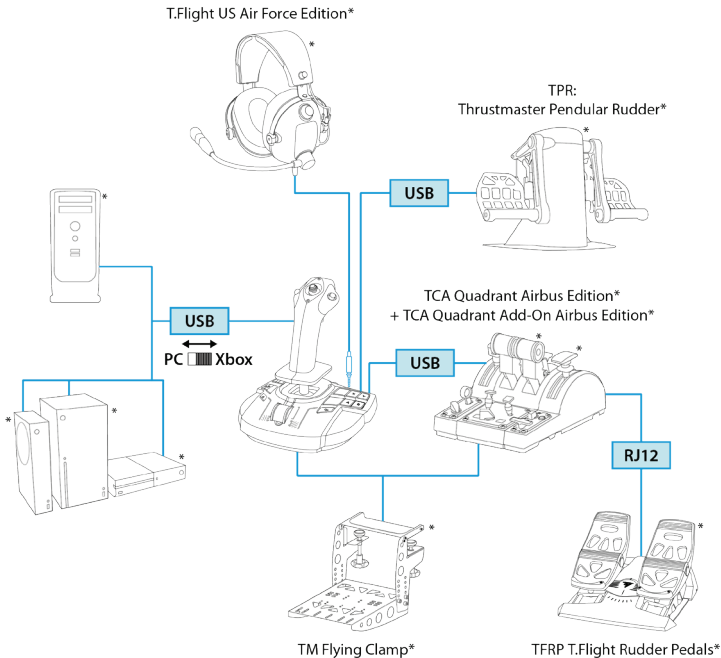
축 자동 보정:

- 조이스틱 또는 스로틀 시스템에 러더 시스템을 연결할 때는 항상 러더 축을 중심에 오도록 두십시오. 발을 러더 페달에 올리지 마십시오.
- 이 페달의 3 개 축은 몇 번 움직인 후에 러더 축과 2 개의 차동 브레이크 축의 물리적 스톱에 도달하면 자동으로 보정됩니다.

* 별도 판매

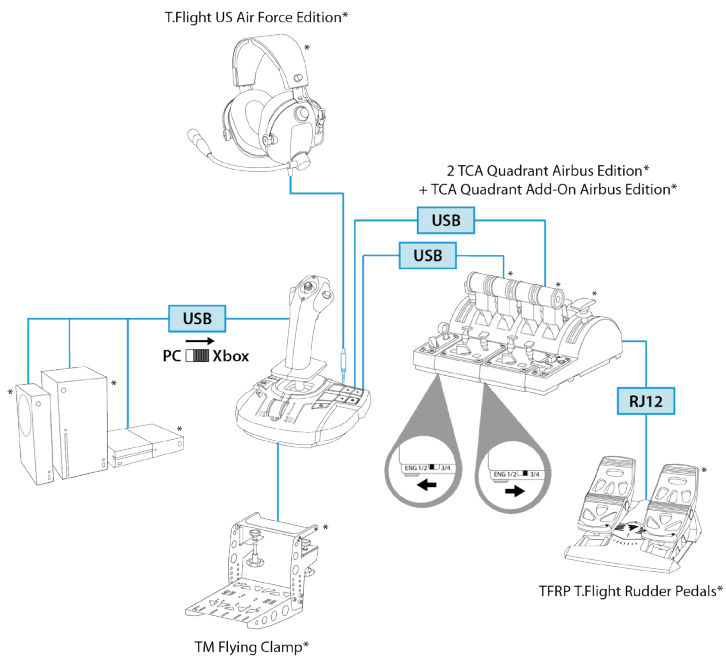
TCA SIDESTICK X AIRBUS EDITION을 호환 가능한 모든 제품에 연결하기

XBOX SERIES X|S – XBOX ONE – PC



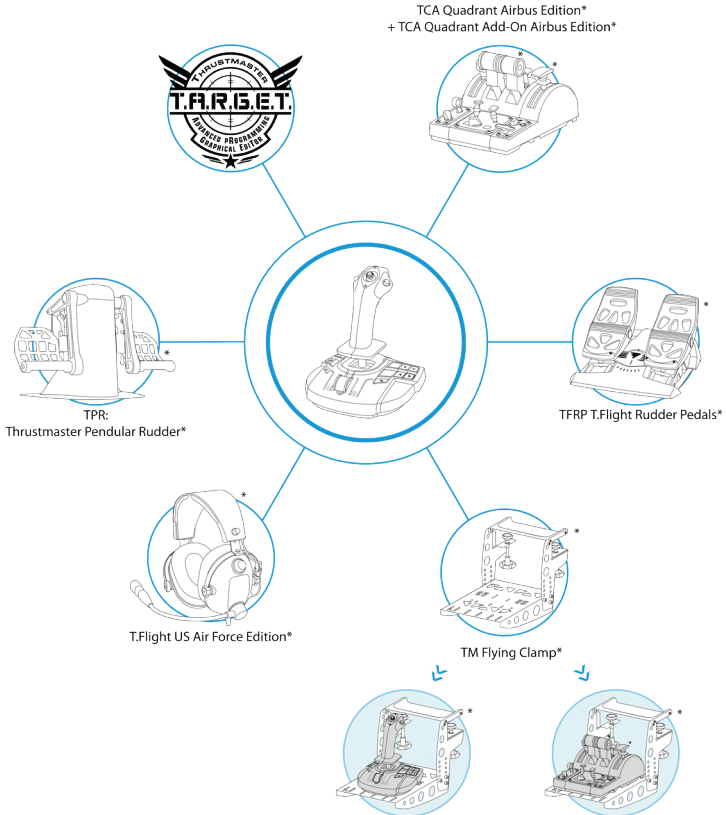
* 별도 판매

XBOX SERIES X|S – XBOX ONE



* 별도 판매

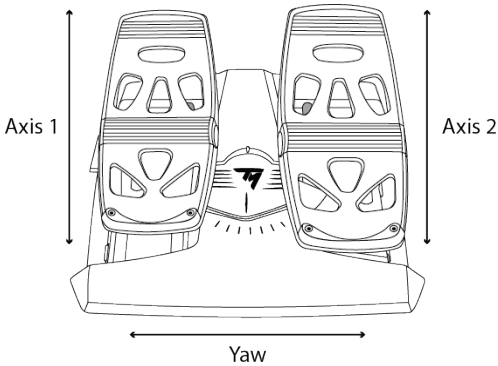
TCA 에코시스템



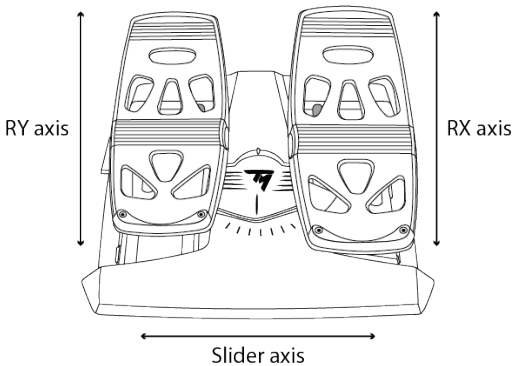
* 별도 판매

TCA QUADRANT AIRBUS EDITION*을 통해 TCA SIDESTICK X AIRBUS EDITION에 연결된 TFRP* 러더 시스템에 대해 매핑하기

XBOX 매핑



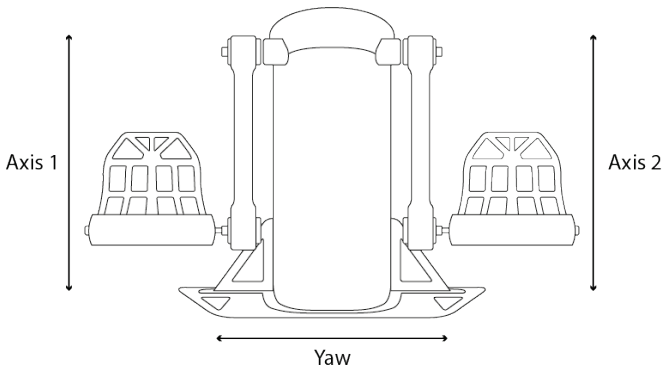
PC 매핑



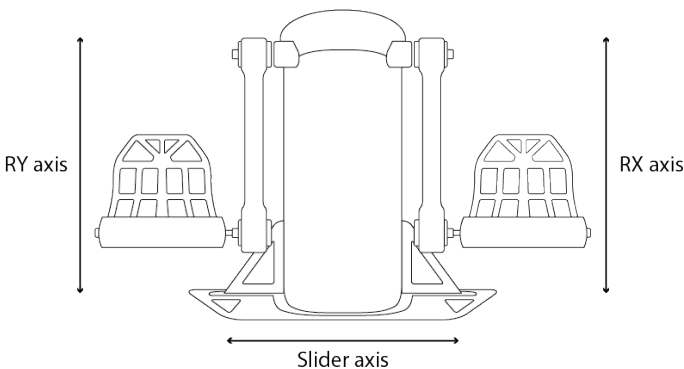
* 별도 판매

TCA SIDESTICK X AIRBUS EDITION에 연결된 TPR* 러더 시스템에 대해 매핑하기

XBOX 매핑



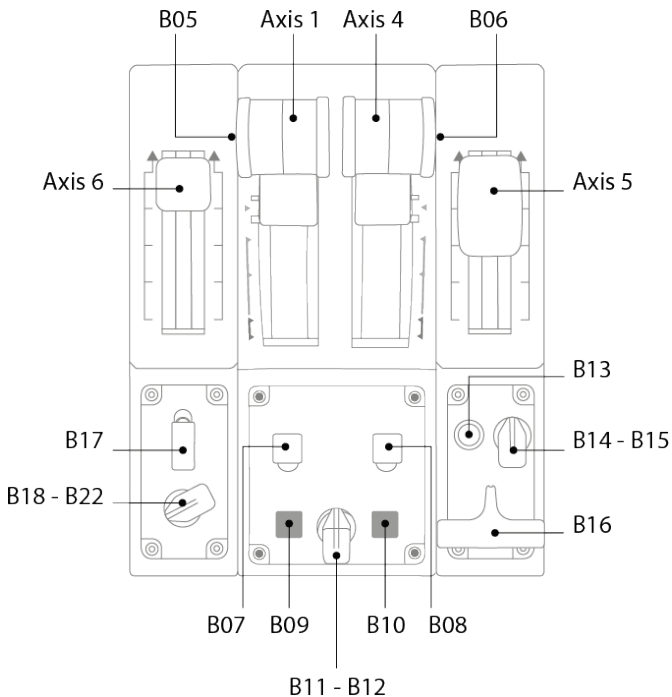
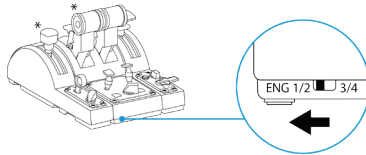
PC 매핑



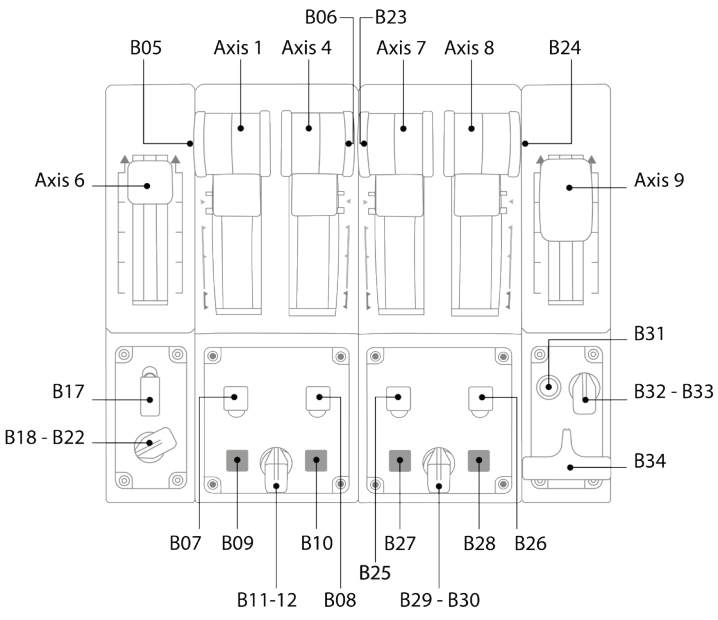
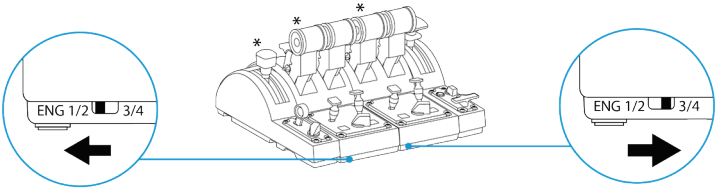
* 별도 판매

TCA SIDESTICK X AIRBUS EDITION에 연결된 TCA QUADRANT AIRBUS EDITION* 및 TCA QUADRANT ADD-ON AIRBUS EDITION*에 대해 매핑하기

XBOX 매핑

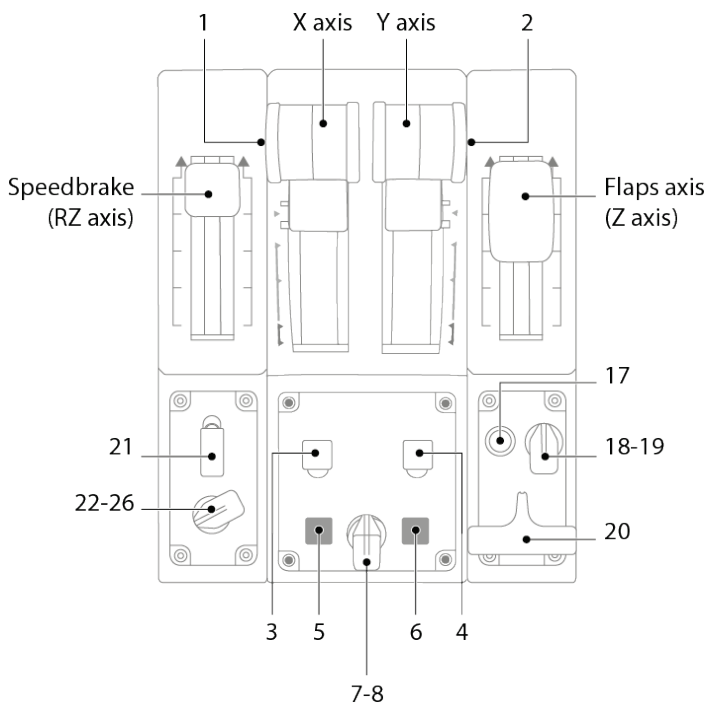
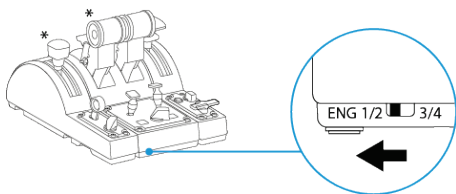


* 별도 판매



* 별도 판매

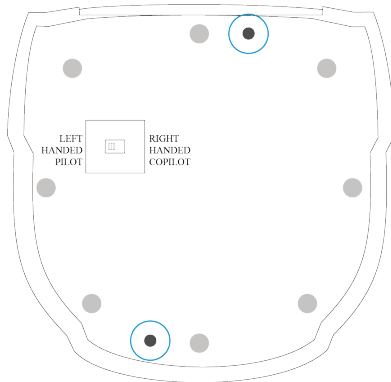
PC 매핑



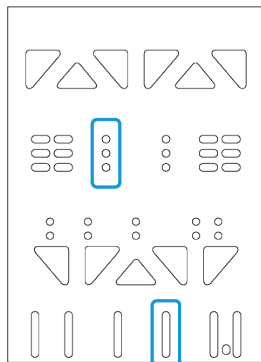
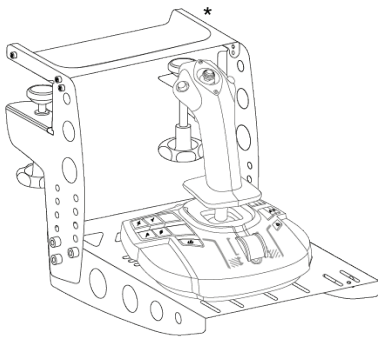
* 별도 판매

TM FLYING CLAMP*, 조종석 또는 다른 고정형 지지대에 TCA SIDESTICK X AIRBUS EDITION 설치하기

TCA Sidestick X Airbus Edition 의 밑면에 위치한 2 개의 구멍과 M6 나사(불포함)를 사용하여 조이스틱을 고정형 지지대에 부착할 수 있습니다.



TM FLYING CLAMP*에 TCA SIDESTICK X AIRBUS EDITION 설치하기



* 별도 판매

TCA SIDESTICK X AIRBUS EDITION 펌웨어 업데이트하기

제품 개선에 활용하기 위해 조이스틱에 포함된 펌웨어가 업데이트될 수 있습니다.

조이스틱 펌웨어 버전을 확인하고 필요한 경우 업데이트하려면 PC에서 <https://support.thrustmaster.com>으로 이동하십시오. **Joysticks(조이스틱) / TCA Sidestick X Airbus Edition / Firmware(펌웨어)**를 클릭한 후에 지침 및 설치 절차 다운로드를 따르십시오.



지원되는 장치는 TCA Quadrant Add-On Airbus Edition* 모듈 및 TPR* 및 TFRP* 러더 시스템과 결합된 TCA Quadrant Airbus Edition* 스로틀 시스템뿐입니다.

이제 레이싱 준비가 되었습니다!

** 별도 판매*

T.A.R.G.E.T 고급 프로그래밍 소프트웨어 (Thrustmaster Advanced pRogramming Graphical EdiTor)

T.A.R.G.E.T(Thrustmaster Advanced pRogramming Graphical EdiTor)은 혁신적인 고성능 소프트웨어 세트에 이 소프트웨어를 사용하면 대부분의 Thrustmaster 비행 컨트롤러를 개선하고 Thrustmaster 커뮤니티와 프로필을 공유할 수 있습니다.

T.A.R.G.E.T 다운로드하기

<https://support.thrustmaster.com>으로 이동합니다. Joysticks(조이스틱) / TCA Sidestick X Airbus Edition을 클릭한 후 Software(소프트웨어)를 선택합니다. 고급 프로그래밍 소프트웨어인 T.A.R.G.E.T을 다운로드 및 설치합니다.

T.A.R.G.E.T의 주요 기능:

- 축을 각각 다르게 구성할 수 있습니다.
- 프로그래밍 수준 차별화 가능: Basic(기본), Advanced(고급) 및 Script(스크립트).
- 드래그 앤 드롭 원리 사용.
- TCA Sidestick X Airbus Edition을 다른 Thrustmaster 조이스틱과 결합(Hotas Cougar*, Hotas Warthog*, T.16000M*, MFD Cougar Pack*, T.A.R.G.E.T과도 호환 가능함)하는 기능을 통해 단일 USB 장치로 인식하도록 할 수 있습니다.
- Thrustmaster 커뮤니티가 생성하는 고급 프로파일에 접근합니다.



* 별도 판매

중요 사항

조이스틱을 연결할 때 보정 문제가 발생하지 않도록 항상 스틱과 러더를 중앙 위치에 놓고 움직이지 않도록 하십시오.

문제 해결 및 경고

조이스틱이 제대로 작동하지 않거나 부적절하게 보정된 것 같습니다.

- USB 케이블을 콘솔이나 PC에 연결하기 전에 섀랙터 스위치(14)가 적절한 위치(Xbox 또는 PC)에 있는지 확인하십시오.
- 콘솔이나 PC의 전원을 끈 다음 조이스틱을 분리합니다. 다시 연결한 후 게임을 다시 시작해 보십시오.
- 조이스틱을 연결할 때 보정 문제가 발생하지 않도록 항상 스틱과 러더를 중앙 위치에 놓고 움직이지 않도록 하십시오.

조이스틱을 설정할 수 없습니다.

- 게임의 **옵션/컨트롤러/게임패드** 또는 **조이스틱** 메뉴에서 적절한 구성을 선택하거나 컨트롤러 옵션을 완전히 재구성하십시오.
- 더 자세한 내용은 해당 게임의 사용설명서 또는 온라인 도움말을 참조하십시오.

조이스틱이 너무 민감하거나 충분히 민감하지 못합니다.

- TCA Sidestick X Airbus Edition 은 서로 다른 축에서 몇 번 움직인 후 자동으로 자체 보정됩니다.
- 게임의 **옵션/컨트롤러/게임패드** 또는 **조이스틱** 메뉴에서 컨트롤러의 민감도와 사각지대를 조정하십시오(해당 옵션을 이용할 수 있는 경우).

TCA Sidestick X Airbus Edition 마이크 커넥터가 올바르게 작동하지 않습니다.

- TCA Sidestick X Airbus Edition에는 USB 오디오 장치가 탑재되어 있습니다. USB 오디오 장치를 Windows에 처음 연결하면, 모든 마이크의 기본 음량이 0으로 설정되어 있습니다.
- 이 문제를 해결하려면 TCA Sidestick X Airbus Edition 마이크 커넥터의 Windows 오디오 설정에 액세스하여 오디오 레벨을 100%로 설정하십시오.

PC에서 연결된 장치가 올바르게 작동하지 않습니다.

- PC 드라이버를 설치하십시오. <https://support.thrustmaster.com>으로 이동합니다. **Joysticks(조이스틱) / TCA Sidestick X Airbus Edition**을 클릭하고 **Drivers(드라이버)**를 선택합니다. PC 드라이버와 Windows 제어판용 맞춤형 인터페이스를 다운로드 및 설치합니다.



이 장치는 게이밍 엔터테인먼트 목적으로만 사용해야 합니다. 이 장치를 전문적인 교육 활동에 사용하는 것은 엄격히 금지됩니다.

COPYRIGHT

© 2022 Guillemot Corporation S.A. 모든 권리 보유. Thrustmaster®는 Guillemot Corporation S.A.의 등록상표입니다.

AIRBUS, 해당 회사의 로고, 상표, 서비스 마크는 Airbus의 등록 상표입니다. 모든 권리 보유. © Airbus 2022. 모든 권리 보유. Airbus의 공식 라이선스 획득.

Microsoft, Xbox, Xbox "Sphere" 디자인, Xbox 시리즈 X|S, Xbox One 및 Windows 10/11은 Microsoft 그룹 회사의 상표입니다.

도면은 법적 구속력이 없습니다. 설명서의 내용, 설계 및 사양은 예고 없이 변경될 수 있으며, 국가마다 다르게 적용될 수 있습니다. 제조국: 중국

환경 보호 권장 사항

전기 및 전자 장비에 관한 현재의 재활용 법률을 준수해 주십시오.

이 설명서를 보관하십시오. 색상 및 장식은 달라질 수 있습니다.

플라스틱 고정부품 및 접착제는 제품 사용 전에 제거해야 합니다.

www.thrustmaster.com



THRUSTMASTER®

기술 지원

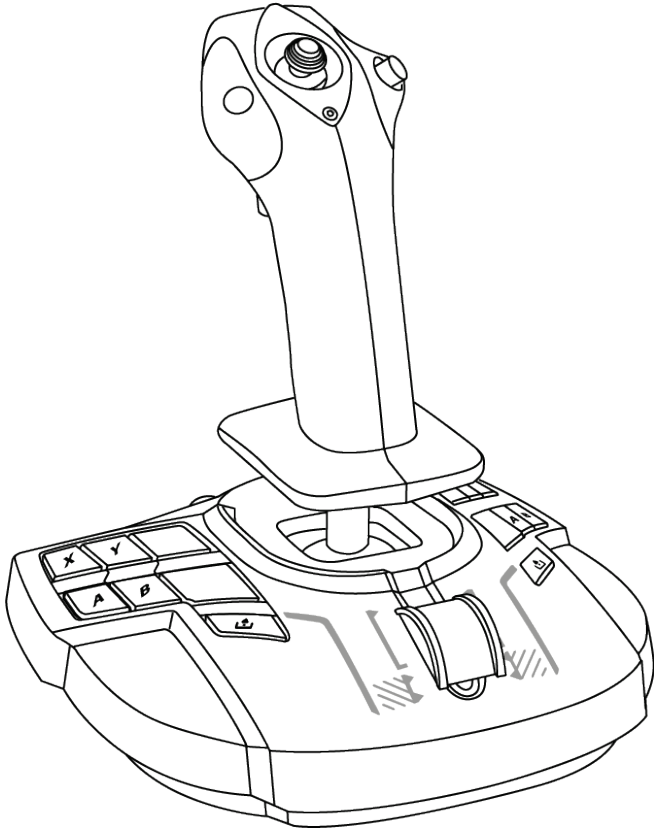
<https://support.thrustmaster.com>



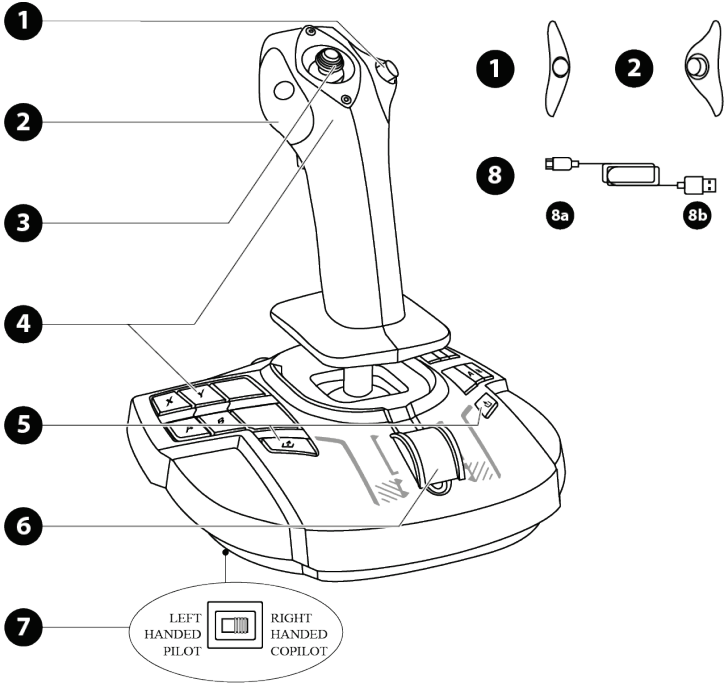
TCA SIDESTICK X AIRBUS EDITION

الكمبيوتر — XBOX ONE — XBOX SERIES X|S

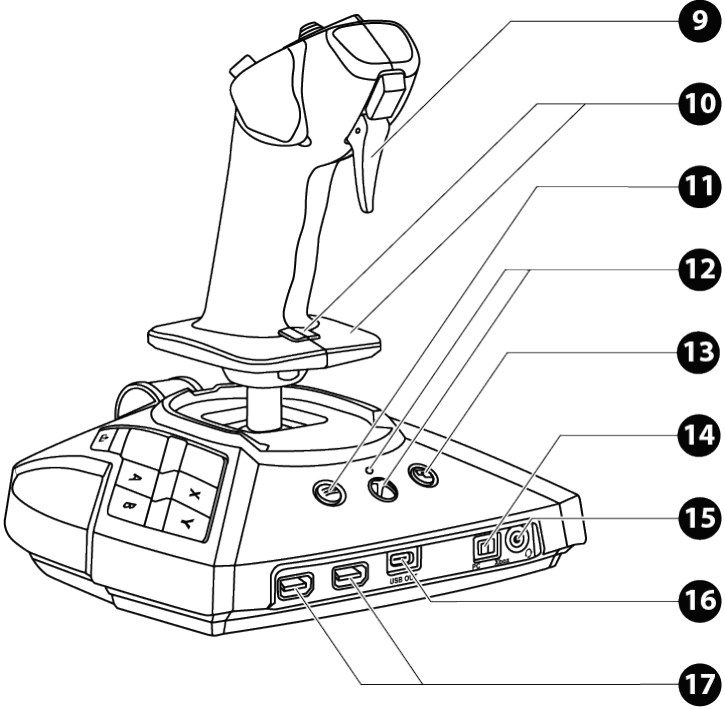
دليل المستخدم



الميزات التقنية



1. وحدات الزر الأيمن
2. وحدات الزر الأيسر
3. مفتاح قبة "بزاوية العرض" متعدد الاتجاهات
4. زر مهام على Xbox، 22 زر مهام على أجهزة الكمبيوتر
5. شارك الأزرار (Xbox)
6. خانق + زر افتراضي واحد (فقط على الكمبيوتر الشخصي)
7. مفتاح الاختيار: LEFT HANDED — PILOT (يد يسرى — طيار) / RIGHT HANDED — COPILOT (يد اليمنى — مساعد طيار)
8. كابل USB-C (8a) — USB-A (8b)



9. الزناد الرقمي
10. عنصر التحكم في الموجه عن طريق تدوير المقبض باستخدام سنادة اليد + زر القفل
11. زر القائمة (Xbox)
12. الزر Xbox + مؤشر
13. زر العرض (Xbox)
14. مفتاح اختيار PC/Xbox (الكمبيوتر)
15. موصل ميكروفون بمقبس صغير مقياس 3.5 مم لسماعة الألعاب*
16. منفذ USB من النوع C
17. منافذ USB من النوع A لموجه TCA Quadrant Airbus Edition* أو TPR*

*تباع منفصلة

التعرّف على عصا التحكم

تقنية ذات دقة استثنائية

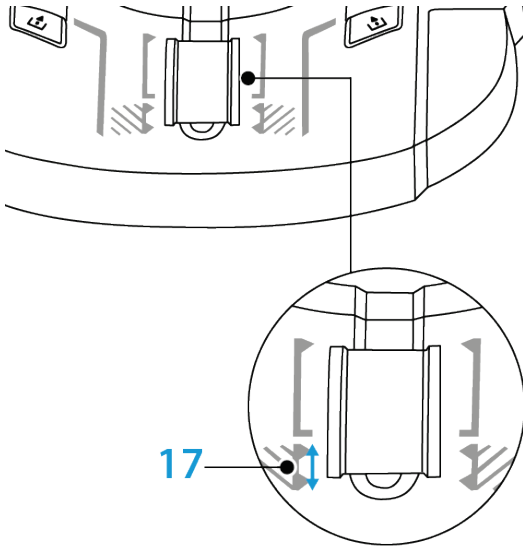
تقنية H.E.A.R.T. :HallEffect AccuRate Technology

- تميز ذراع تحكم TCA Sidestick X Airbus Edition الخاصة بك بتقنية عالية الدقة، مع:
- أجهزة استشعار مغناطيسية ثلاثية الأبعاد (Hall Effect) في الذراع؛
- مغناطيس: بدون احتكاك، وذلك للحصول على دقة غير محدودة ورد فعل رائع يدوم طويلاً؛
- نابض لولبي على العصا (2.8 ملم): لجهد خطي ثابت وفائق الانسيابية.

الخائق

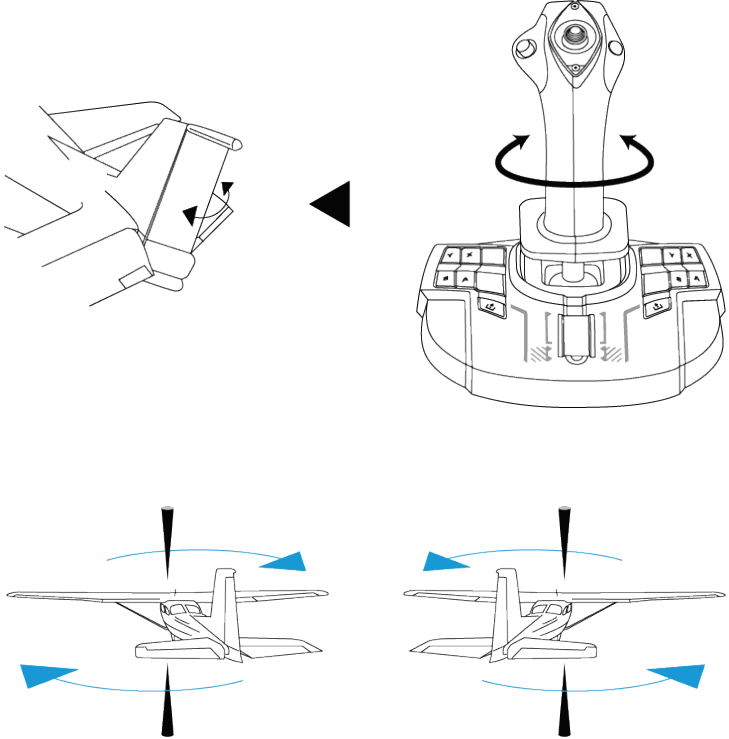
تشتمل عصا التحكم على خائق (6)، والذي يمكنك استخدامه للتحكم في اندفاع محرك طائرتك بسهولة.

يتم تمكين زر افتراضي متواجد حصرياً على الكمبيوتر (الرقم 17 في تخطيط الكمبيوتر) على طول أول 20% من مسافة حركة الخائق، وذلك لتفعيل عواكس الدفع.



تتميز عصا التحكم بوظيفة الموجّه (10). في الطائرات، يستخدم الطيار الموجّه ببراعة لتدوير الطائرة حول محورها رأسياً (مما يجعل الطائرة تدور إلى اليمين أو إلى اليسار).

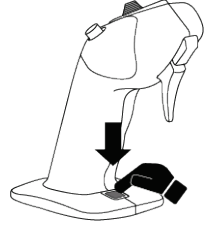
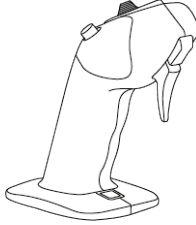
إنّ وظيفة الموجّه هذه متوفرة في عصا التحكم عبر تدوير (أي لف) العصا إلى اليمين أو إلى اليسار.



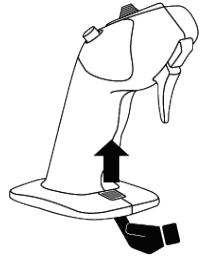
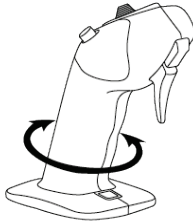
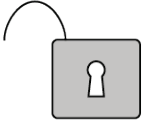
قفل/فتح وظيفة الموجّه

يمكن تعطيل وظيفة الموجّه باستخدام زر القفل الموجود على الجانب الخلفي لمقبض عصا التحكم.

اضغط هذا الزر لقفل محور الموجّه.



أرجع هذا الزر إلى الموضع العلوي لفتح محور الموجّه.



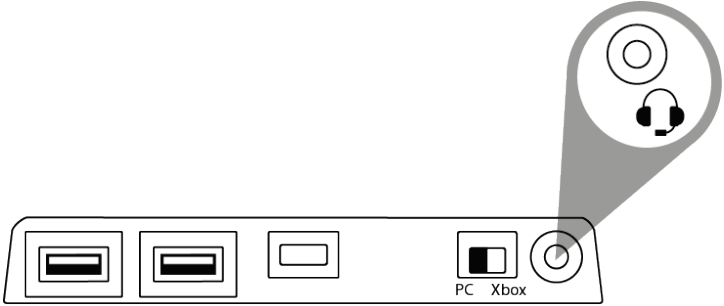
مفتاح قبعة "بزاوية العرض" متعدد الاتجاهات

تتميز عصا التحكم بمفتاح قبعة "بزاوية العرض" (3) الذي يتيح لك رؤية كل شيء يدور حول طائرتك لحظياً (في الألعاب المتوفرة بها تلك الميزة). ولاستخدام تلك الميزة، ما عليك سوى الذهاب إلى قائمة الإعدادات في لعبتك، وبرمجة طرق العرض المختلفة (العرض الخلفي، عرض جهة اليسار، عرض جهة اليمين، وطرق العرض الخارجي) إلى اتجاهات مفتاح القبعة "بزاوية العرض".

يمكنك أيضاً، إذا أردت، الإبقاء على مفتاح القبعة "بزاوية العرض" لاستخدامات أخرى بدلاً من ذلك (لإطلاق النار، إلخ).

موصل ميكروفون بمقبس لسماعة رأس للألعاب

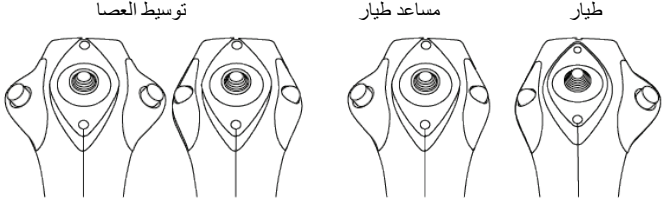
تتميز عصا التحكم الخاصة بك بموصل ميكروفون بمقبس صغير مقياس 3.5 مم (15) يسمح باستخدام سماعة رأس للألعاب مزودة بميكروفون مدمج للحصول على تجربة غامرة أكثر.



نظام الاستخدام باليد اليمنى أو اليسرى وتعديل الوحدات

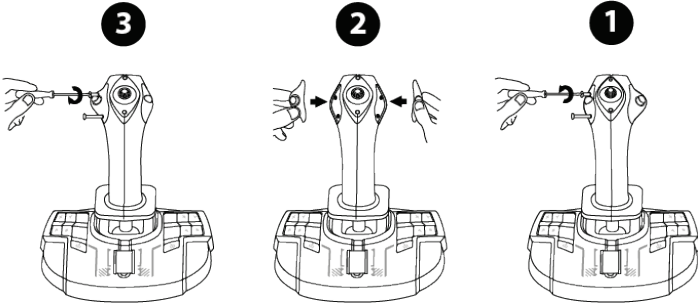
تتميز عصا التحكم TCA Sidestick X Airbus Edition عن غيرها من عصي التحكم بأنها تصلح للاستخدام بكلتا اليدين، مما يتيح لها التكيف على نحو مثالي مع كل اللاعبين، سواء أكانوا يستخدمون يدهم اليمنى أم اليسرى.

تتم تهيئة عصا التحكم بشكلٍ افتراضي على وضع الطيار. هناك أربعة أوضاع تهيئة ممكنة:



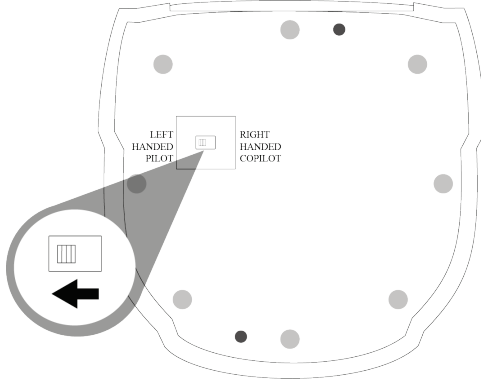
لتعديل تهيئة عصا التحكم الخاصة بك:

1. باستخدام مفك براغي صغير، قم بفك البراغي وإزالة المسامير لكل وحدة زر بحرص.
2. قم بتغيير الوحدات طبقاً للتهيئة المفضلة لك.
3. أعد تركيب المسامير وأحكام ربطها تماماً مرة أخرى.



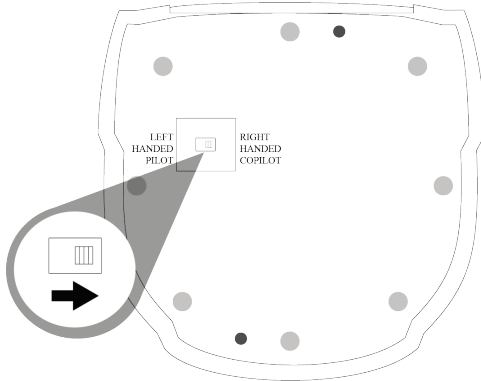
تهيئة العصا في وضع اليد اليسرى (طيار)

لتحديد عصا التحكم على أنها في وضع اليد اليسرى (طيار)، اضغط مفتاح الاختيار (7) الموجود أسفل قاعدة عصا التحكم على LEFT HANDED — PILOT قبل توصيل عصا التحكم. وسيتم التعرف على منتجك حينئذٍ بوصفه TCA Sidestick X Pilot.



تهيئة العصا في وضع اليد اليمنى (مساعد طيار)

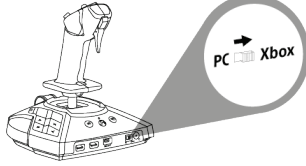
لتحديد عصا التحكم على أنها في وضع اليد اليمنى (مساعد طيار)، اضغط مفتاح الاختيار (7) الموجود أسفل قاعدة عصا التحكم على RIGHT HANDED — COPILOT قبل توصيل عصا التحكم. وسيتم التعرف على منتجك حينئذٍ بوصفه TCA Sidestick X Copilot.



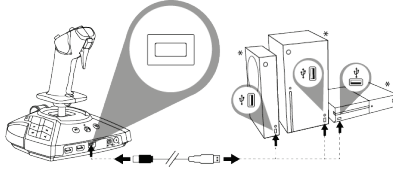
XBOX SERIES X|S / XBOX ONE

XBOX SERIES X|S / XBOX ONE التثبيت على أجهزة

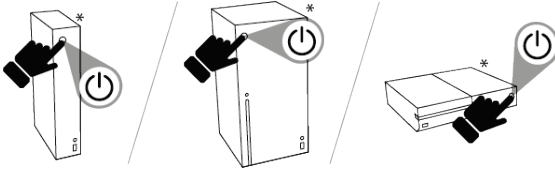
1. اضبط مفتاح الاختيار (14) الموجود في الجزء الخلفي من عصا التحكم على موضع Xbox.



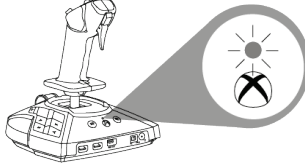
2. قم بتوصيل كابل USB-A – USB-C (8) بمنفذ USB من النوع C (16) على عصا التحكم وبمنفذ USB من النوع A على جهاز الألعاب.



3. قم بتشغيل جهاز الألعاب.



4. يضيء مؤشر LED الخاص ببعض التحكم باللون الأبيض.



5. ابدأ تشغيل لعبة متوافقة مع وضع عصا الطيران.

أنت الآن جاهز للعب!

*شباع منفصلة

قائمة ألعاب XBOX ONE / XBOX SERIES X|S المتوافقة

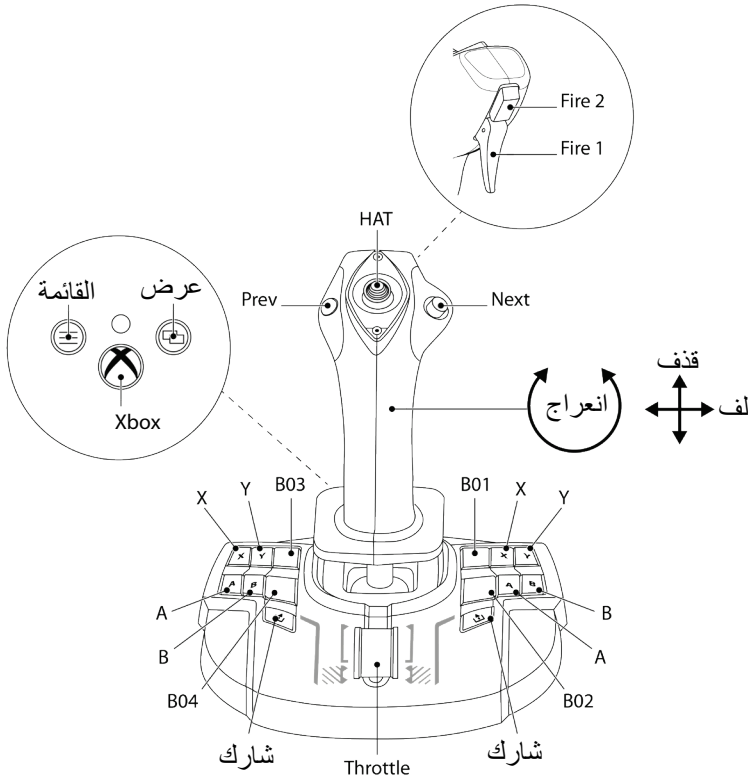
على Xbox Series X|S* / Xbox One*، TCA Sidestick X Airbus Edition

- غير متوافقة إلا مع الألعاب التي تدعم وضع عصا الطيران.
- يتم التعرف عليها في الألعاب بوصفها عصا تحكم وليس كلوحة تحكم بالألعاب، لأقصى درجة من الاستجابة والدقة، بالإضافة إلى الوصول إلى خيارات عصا التحكم المتوفرة في هذه الألعاب.

قائمة ألعاب Xbox Series X|S / Xbox One المتوافقة مع عصا التحكم متوفرة على <https://support.thrustmaster.com> في قسم **TCA Sidestick X Airbus Edition / Joysticks**.

يتم تحديث هذه القائمة بانتظام عند طرح ألعاب Xbox One / Xbox Series X|S جديدة متوافقة مع TCA Sidestick X Airbus Edition.

*شُباع منفصلة



XBOX SERIES على TCA SIDESTICK X AIRBUS EDITION توصيل *X|S* / XBOX ONE

تتميز TCA Sidestick X Airbus Edition بأربع محاور، بل يتيح لك بتوصيل خانق TCA Quadrant Airbus Edition، وحدات TCA Quadrant Add-On Airbus Edition* وموجه TPR* في الجانب الخلفي من عصا التحكم.

على Xbox Series X|S* / Xbox One فقط، يمكن توصيل خانق ثانٍ مع TCA Quadrant Airbus Edition*، مما يتيح لعصا التحكم بالتحكم في حتى تسعة محاور إضافية.

على Xbox Series X|S* / Xbox One، سيتم دمج أجهزة Thrustmaster المتوافقة المتصلة عبر منفذ USB من النوع A مع TCA Sidestick X Airbus Edition.



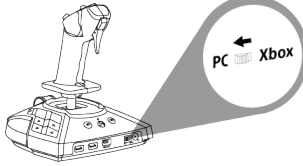
الأجهزة المدعومة على Xbox Series X|S* / Xbox One هي TCA Quadrant Airbus Edition*، TCA Quadrant Add-On Airbus Edition*، وأنظمة موجه TPR* و TFRP*.

تباع منفصلة

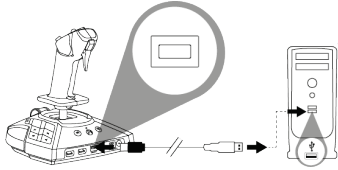
أجهزة الكمبيوتر

التثبيت على أجهزة الكمبيوتر*

1. انتقل إلى موقع الويب <https://support.thrustmaster.com>. انقر فوق **Joysticks / TCA Sidestick X Airbus Edition** واختر **Drivers**. قم بتنزيل وتثبيت برنامج التشغيل الخاص بأجهزة الكمبيوتر وواجهته المخصصة للوحة التحكم في نظام التشغيل Windows.
2. اضغط مفتاح الاختيار (14) الموجود في الجزء الخلفي من عصا التحكم على موضع الكمبيوتر.



3. قم بتوصيل كابل USB-A - USB-C (8) بمنفذ USB من النوع C (16) على عصا التحكم وبمنفذ USB من النوع A على جهاز الكمبيوتر.*



4. ابدأ تشغيل لعبة متوافقة تدعم الأجهزة الطرفية لطيران HID.

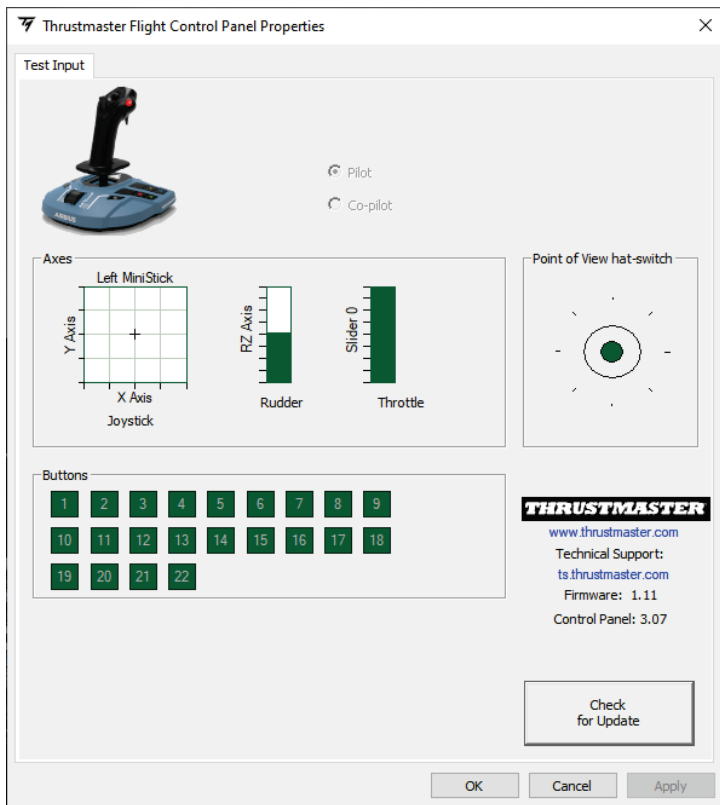
أنت الآن جاهز للعب!

شبايع منفصلة

1. للوصول إلى واجهة لوحة التحكم المخصصة، حدد بداية / تطبيقات / Thrustmaster / لوحة التحكم (في Windows® 10/11).

يتم عندئذ عرض مربع الحوار وحدات التحكم بالألعاب. يظهر الجهاز على الشاشة باسم TCA Sidestick X وتظهر الحالة OK.

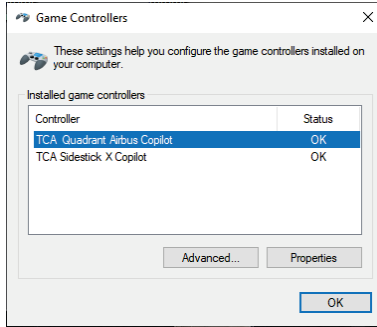
2. في مربع الحوار Game Controllers، انقر فوق Properties لعرض كل الميزات واختبارها.



توصيل TCA SIDESTICK X AIRBUS EDITION على الكمبيوتر*

تتميز TCA Sidestick X Airbus Edition بأربعة محاور، ولكن يتيح لك توصيل خائق TCA Quadrant Airbus Edition*، وحدات TCA Quadrant Add-On Airbus Edition* وموجه TPR* في الجانب الخلفي من عصا التحكم.

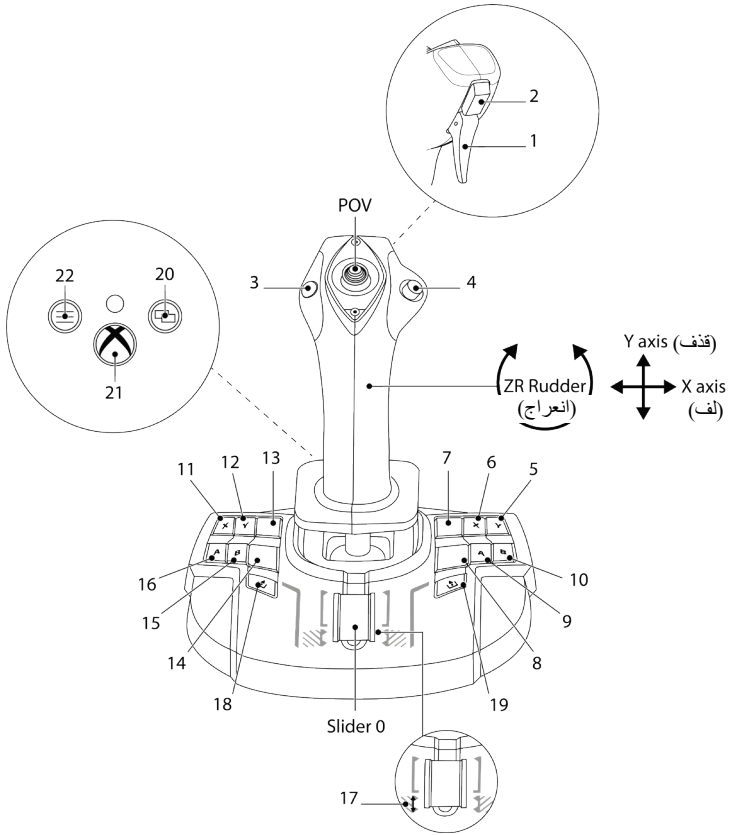
عند توصيل TCA Quadrant Airbus Edition* ونظام الموجه TPR* أو نظام الموجه TFRP*، سيظهرون مستقلين في مربع حوار **Game Controllers** كأجهزة افتراضية:



توصيل نظام الموجه TPR* أو نظام الموجه TFRP*:

- يجب تثبيت برنامج التشغيل حتى تعمل الأجهزة بشكل صحيح.
- إذا كان الموجه متصلاً بعصا التحكم أو نظام الخائق المتصل بعصا التحكم، يتم دمج المحاور الثلاثة لنظام الموجه مع الربعية الافتراضية (TCA Quadrant Airbus Copilot).

*تباع منفصلة

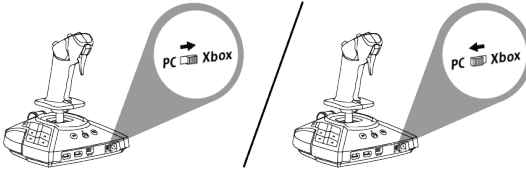


تثبيت TCA SIDESTICK X AIRBUS EDITION مدمجا مع TCA *TPR *QUADRANT AIRBUS EDITION وأنظمة موجه *TFRP و

الخائق والوحدات الإضافية

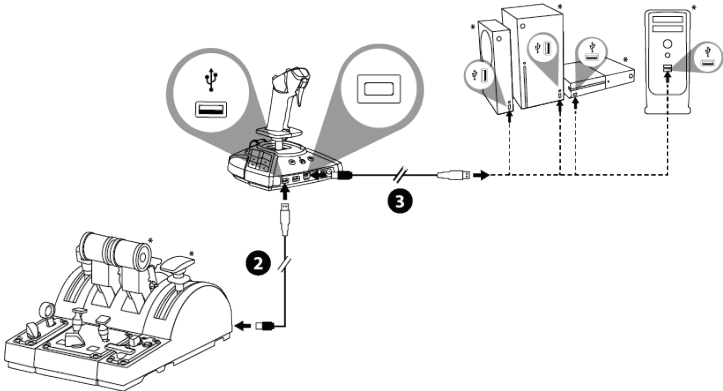
*TCA Quadrant Airbus Edition المرتبطة بوحدات *TCA Quadrant Add-On Airbus Edition تتصل بعضا التحكم.

1. اضبط مفتاح الاختيار (14) الموجود في الجزء الخلفي من عصا التحكم على موضع Xbox أو الكمبيوتر.



2. قم بتوصيل كابل USB-A - USB-C (8) بمنفذ USB من النوع C الموجود على الخائق، ومنفذ USB من النوع A (17) الموجود في الجزء الخلفي من عصا التحكم.

3. قم بتوصيل كابل USB-A - USB-C (8) ثانياً بمنفذ USB من النوع C (16) على عصا التحكم ومنفذ USB من النوع A على جهاز الألعاب أو الكمبيوتر.



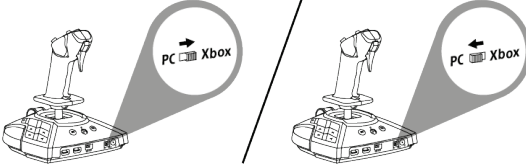
تجميع منفصلة

نظام الموجّه

تم حجز ثلاثة محاور لأنظمة الموجّه TPR* و TFRP*.

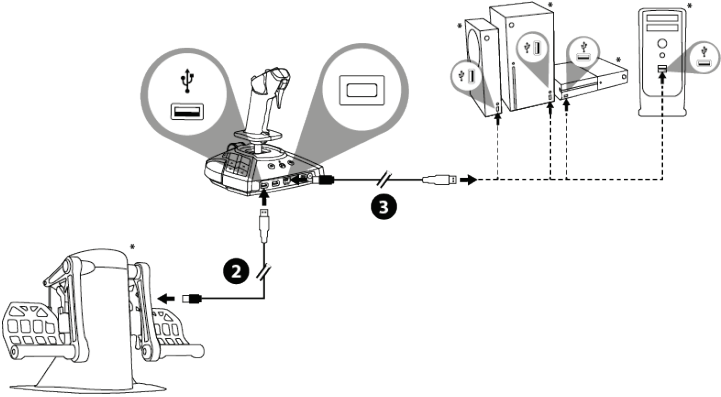
يتصل نظام الموجّه TPR* بعضا التحكم.

1. اضبط مفتاح الاختيار (14) الموجود في الجزء الخلفي من عصا التحكم على موضع Xbox أو الكمبيوتر.



2. وصل كابل USB-B — USB-A الخاص بنظام الموجّه بمنفذ USB من النوع B في نظام الموجّه، وبمنفذ من النوع A (17) الموجود في الجزء الخلفي من عصا التحكم.

3. قم بتوصيل كابل USB-C — USB-A (8) بمنفذ USB من النوع C (16) على عصا التحكم وبمنفذ USB من النوع A على جهاز الألعاب أو الكمبيوتر.

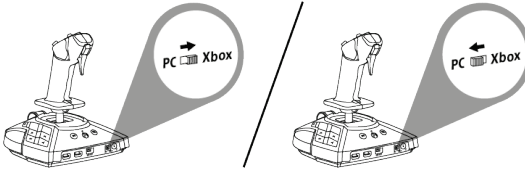


على أجهزة Xbox Series X|S* / Xbox One ، لا يمكن توصيل نظام الموجّه TPR* عندما تكون أنظمة الخائق TCA Quadrant Airbus Edition* متصلة بالفعل مع TCA Sidestick X Airbus Edition.

*تباع منفصلة

يتصل نظام الموجّه ***TFRP** بنظام الخائق عند استخدامك ***TCA Quadrant Airbus Edition**.

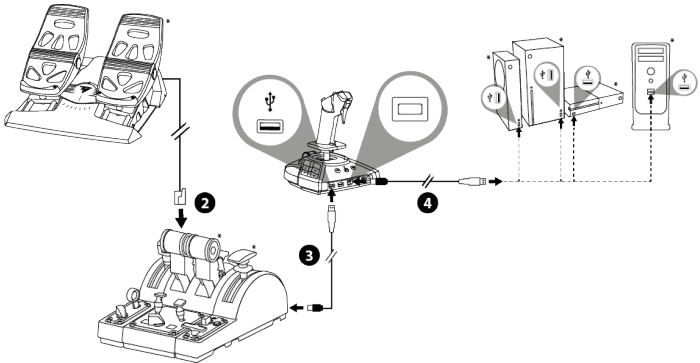
1. Xbox اضبط مفتاح الاختيار (14) الموجود في الجزء الخلفي من عصا التحكم على موضع أو الكمبيوتر.



2. RJ12 وصل موصل بنظام الموجّه بمنفذ RJ12 الموجود بالجزء الخلفي من الخائق ***Airbus Edition** TCA Quadrant.

3. قم بتوصيل كابل USB-C - USB-A (8) بمنفذ USB من النوع C الموجود على نظام الخائق، ومنفذ USB من النوع A (17) الموجود في الجزء الخلفي من عصا التحكم.

4. قم بتوصيل كابل USB-C - USB-A (8) ثان بمنفذ USB من النوع C (16) على عصا التحكم وبمنفذ USB من النوع A على جهاز الألعاب أو الكمبيوتر.



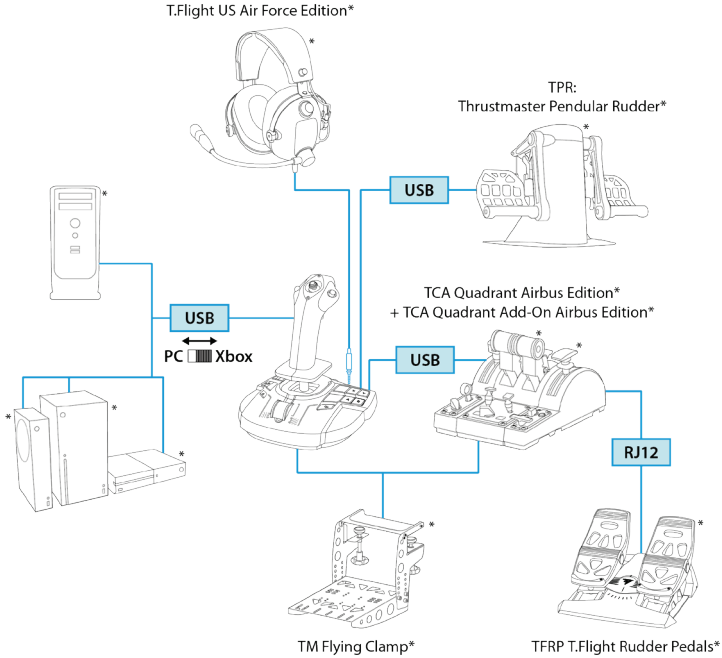
المعايرة التلقائية للمحاور:

- عند توصيل نظام الموجّه بذراع التحكم أو الخائق، اترك محاور الموجّه في المركز دائمًا. لا تضع قدمك على الموجّه.
- تقوم المحاور الثلاثة لدواسات الموجّه بالمعايرة تلقائيًا بعد بضع حركات، وبمجرد الوصول إلى نقاط التوقف الحقيقية لمحور الموجّه ومحوري المكبح التفاضلي.

شباع منفصلة

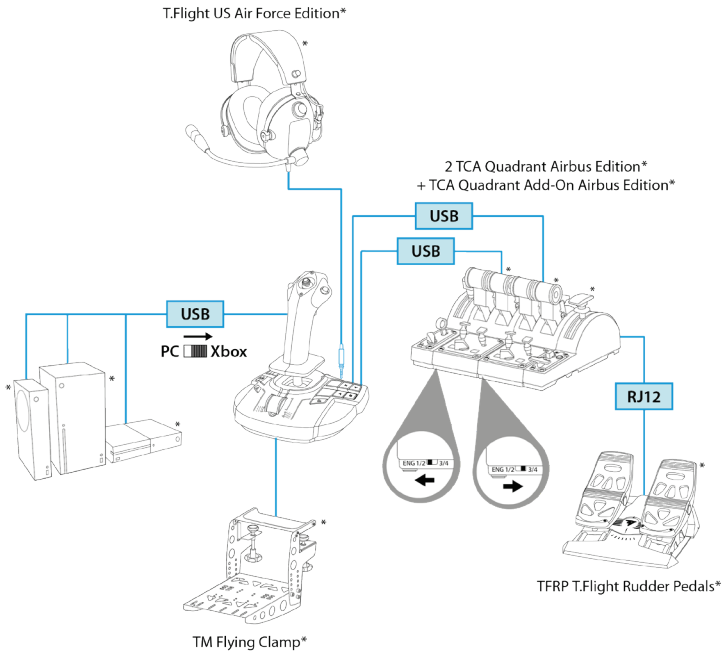
توصيل TCA SIDESTICK X AIRBUS EDITION بكل المنتجات المتوافقة

الكمبيوتر — XBOX ONE — XBOX SERIES X|S



شباع منفصلة

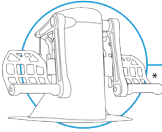
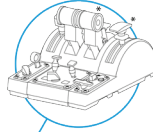
XBOX ONE — XBOX SERIES X|S



شباع منفصلة*

نظام الاتصال المشترك TCA

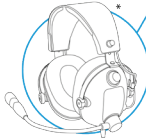
TCA Quadrant Airbus Edition*
+ TCA Quadrant Add-On Airbus Edition*



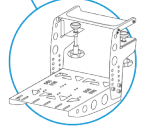
TPR:
Thrustmaster Pendular Rudder*



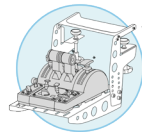
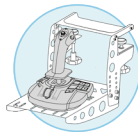
TFRP T.Flight Rudder Pedals*



T.Flight US Air Force Edition*



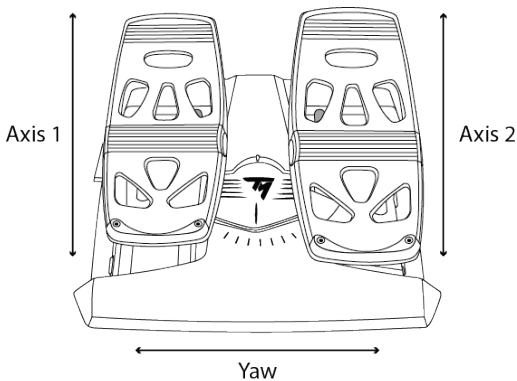
TM Flying Clamp*



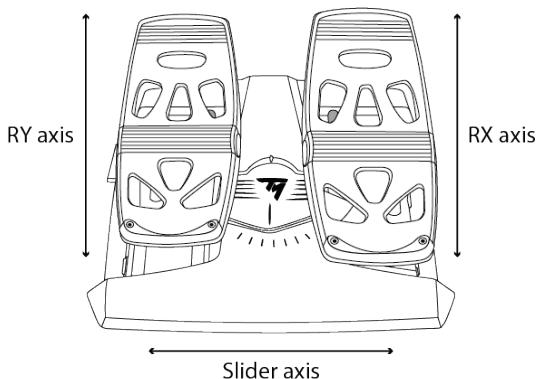
*تباع منفصلة

TCA SIDESTICK X المتصل مع *TFRP التخطيط لنظام الموجّه
TCA QUADRANT AIRBUS عبر AIRBUS EDITION
*EDITION

تخطيط XBOX



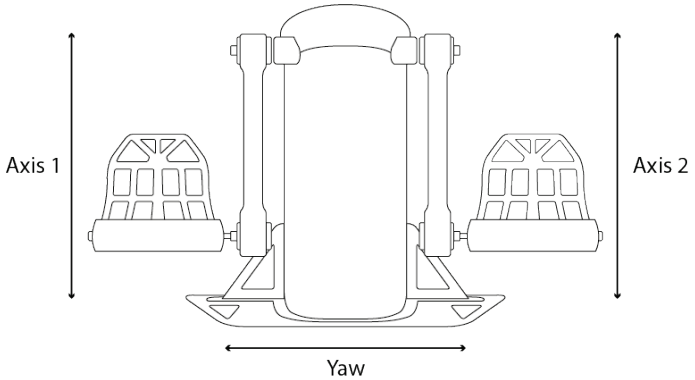
تخطيط الكمبيوتر



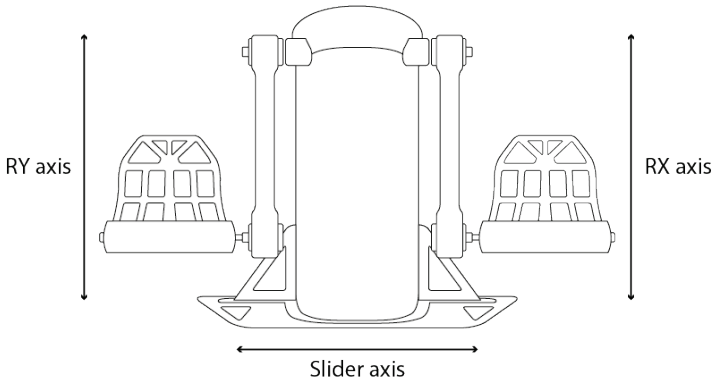
*شباع منفصلة

TCA SIDESTICK X مع المتصل *TPR التخطيط لنظام الموجّه AIRBUS EDITION

تخطيط XBOX



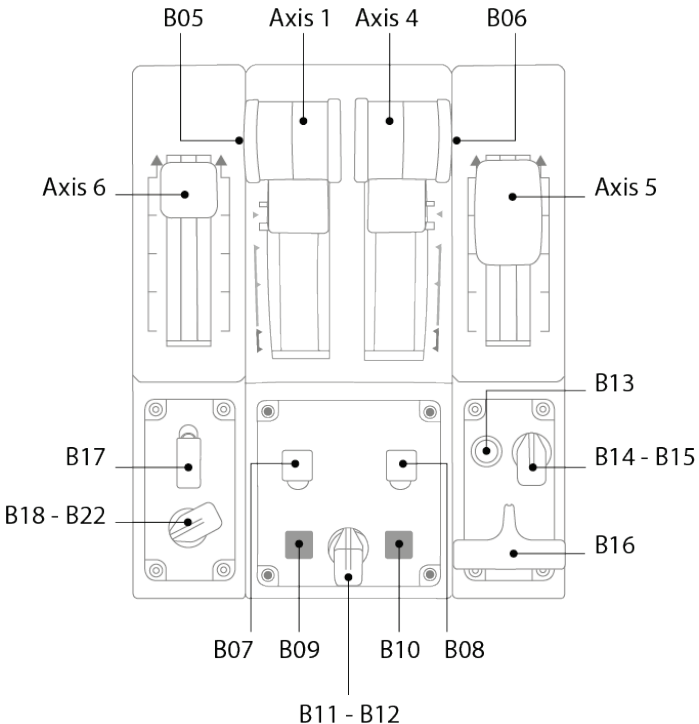
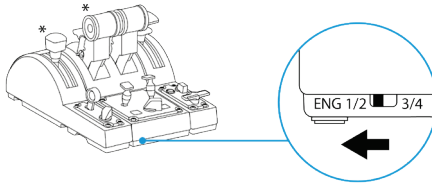
تخطيط الكمبيوتر



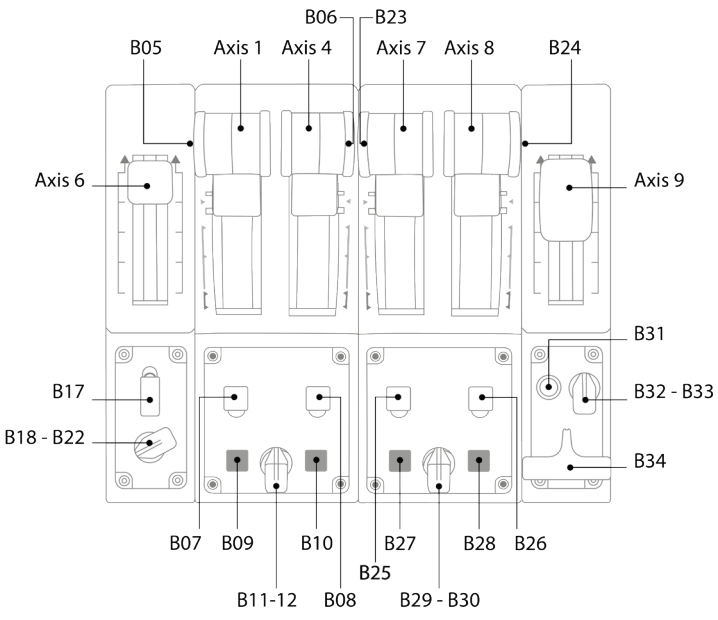
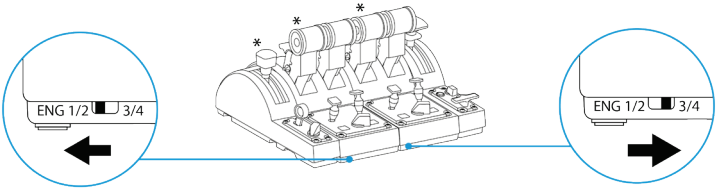
تباع منفصلة

TCA و TCA QUADRANT AIRBUS EDITION التخطيط لأنظمة
 TCA QUADRANT ADD-ON AIRBUS EDITION المتصلة مع
 SIDESTICK X AIRBUS EDITION

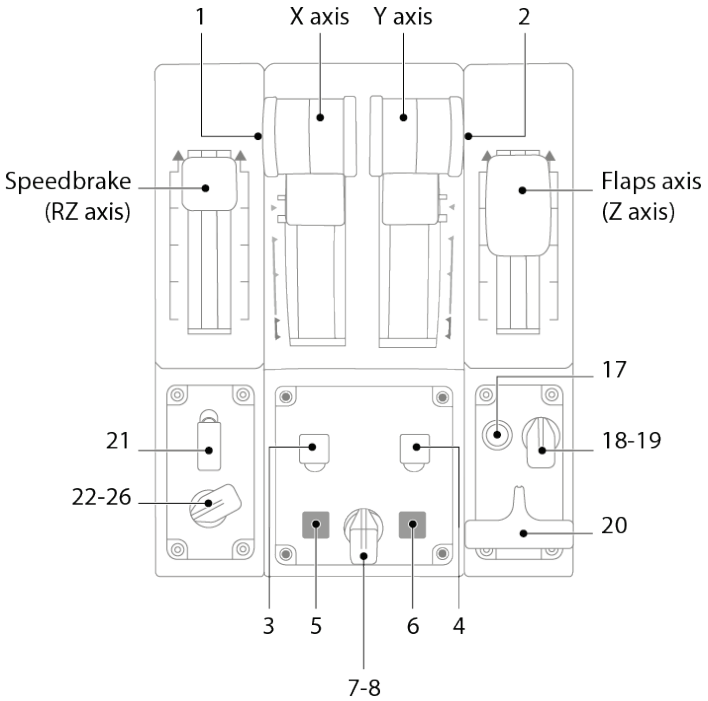
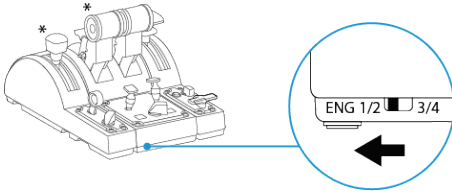
تخطيط XBOX



*شباع منفصلة

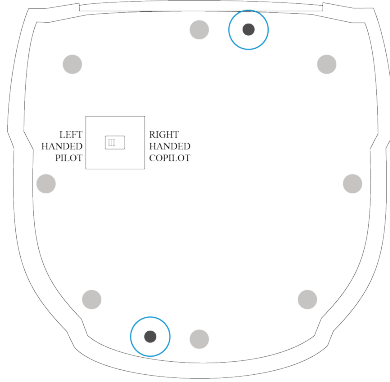


تفصاع منفصلة

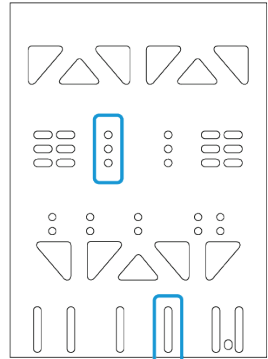
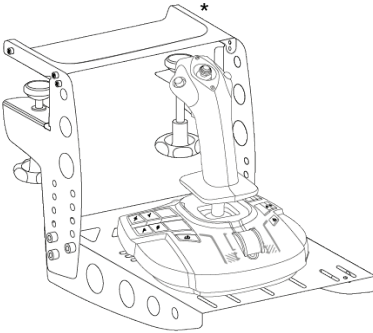


تثبيت TCA SIDESTICK X AIRBUS EDITION على FLYING CLAMP*، قمرة قيادة أو دعم ثابت آخر

يمكنك استخدام الثقوب الموجودة بالجانب الأسفل من TCA Sidestick X Airbus Edition لتثبيت عصا التحكم بدعم ثابت باستخدام مسامير M6 (غير مشمولة).



تثبيت TCA SIDESTICK X AIRBUS EDITION على TM FLYING CLAMP*:



*تباع منفصلة

تحديث برنامج TCA SIDESTICK X AIRBUS EDITION التشغيلي

يمكن تحديث البرنامج التشغيلي المشمول بعضا التحكم، للاستفادة من تحسينات المنتج.

لعرض نسخة البرنامج التشغيلي الخاص بعضا التحكم وتحديثه إذا لزم: على كمبيوتر، اذهب إلى <https://support.thrustmaster.com>. اضغط / Joysticks / TCA Sidestick X Airbus Edition / Firmware، ثم اتبع التعليمات وإجراءات التنزيل والتثبيت.



الأجهزة المتوافقة الوحيدة هي خائق TCA Quadrant Airbus Edition *TCA المدمج مع وحدات TCA Quadrant Add-On Airbus Edition * وأنظمة موجه TPR * و TFRP *.

أنت الآن جاهز للعب!

شباع منفصلة

برنامج البرمجة المتقدمة T.A.R.G.E.T برنامج (Thrustmaster Advanced pROgramming Graphical EdiTor)

Thrustmaster
مبتكرة، عالية الأداء تتيح التحسينات لمعظم أجهزة تحكم Thrustmaster، ومشاركة الحسابات مع مجتمع
T.A.R.G.E.T (Thrustmaster Advanced pROgramming Graphical EdiTor) هو مجموعة برامج

تنزيل T.A.R.G.E.T

انتقل إلى موقع الويب <https://support.thrustmaster.com>. انقر فوق **Joysticks / TCA** ثم حدد **Software**. قم بتنزيل برنامج البرمجة المتقدمة T.A.R.G.E.T **Sidestick X Airbus Edition** وتثبيته.

الميزات الرئيسية لبرنامج البرمجة المتقدمة T.A.R.G.E.T:

- تكوينات ممكنة مختلفة للمحاور.
- مستويات برمجة ممكنة مختلفة: Basic (أساسي) و Advanced (متقدم) و Script (نصي).
- استخدام مبدأ السحب والإفلات.
- القدرة على دمج Sidestick X Airbus Edition TCA بعضى تحكم أخرى (Hotas Cougar)*، و Hotas Warthog)*، و T.16000M)*، و MFD Cougar Pack)*، وتتوافق أيضًا مع T.A.R.G.E.T)، تتيح لهم التعرف كجهاز USB واحد.
- الوصول إلى ملفات التعريف المتقدمة التي يتم إنشاؤها بواسطة مجتمع Thrustmaster.



تباع منفصلة

ملحوظات مهمة

عند توصيل عصا التحكم الخاصة بك، اترك دائماً العصا والموجه في المركز وتحاشن تحريكهما، لتتفادى أي مشاكل معايرة محتملة.

استكشاف الأخطاء وإصلاحها والتحذير

- لا تعمل عصا التحكم الخاصة بي على نحو صحيح، أو يبدو أنه قد تمت معايرتها بشكل غير صحيح.
- تأكد من أن مفتاح الاختيار (14) في الموضع الصحيح (Xbox أو PC) قبل توصيل كابل USB بجهاز الألعاب أو الكمبيوتر.
- أغلق جهاز الألعاب أو الكمبيوتر، افصل عصا التحكم الخاصة بك، أعد توصيلها ثم أعد تشغيل اللعبة.
- عند توصيل عصا التحكم الخاصة بك، اترك دائماً العصا والموجه في المركز وتحاشن تحريكهم، لتتفادى أي مشاكل معايرة محتملة.

لا يمكنني تكوين عصا التحكم.

- في القائمة Options (الخيارات) / Controller (وحدة التحكم) / Gamepad (لوحة التحكم بالألعاب) أو Joystick (عصا التحكم)، حدد التكوين المناسب أو أعد تكوين خيارات وحدة التحكم بالكامل.
- للحصول على مزيد من المعلومات، يُرجى الرجوع إلى دليل المستخدم أو قسم المساعدة عبر الإنترنت الخاص باللعبة.

عصا التحكم حساسة أكثر مما ينبغي أو غير حساسة بشكل كافٍ.

- تتعاير TCA Sidestick X Airbus Edition ذاتياً تلقائياً بعد بضع حركات على المحاور المختلفة.
- في القائمة Options (الخيارات) / Controller (وحدة التحكم) / Gamepad (لوحة التحكم بالألعاب) أو Joystick (عصا التحكم): اضبط الحساسية والمناطق الهامدة لوحدة التحكم الخاصة بك (إذا كانت هذه الخيارات متاحة).

لا يعمل موصل ميكروفون TCA Sidestick X Airbus Edition بشكل صحيح.

- تتميز TCA Sidestick X Airbus Edition بجهاز صوت USB. عند توصيل جهاز صوت USB بجهاز كمبيوتر يعمل بنظام التشغيل Windows للمرة الأولى، يتم تعيين مستوى الصوت الافتراضي لجميع الميكروفونات على صفر.
- لحل المشكلة، ادخل على إعدادات صوت Windows الخاص بموصل ميكروفون TCA Sidestick X Airbus Edition واضبط مستوى الصوت على 100%.

على الكمبيوتر، الأجهزة المتصلة لا تعمل بشكل صحيح.

- قم بتثبيت برنامج تشغيل الكمبيوتر. انتقل إلى موقع الويب <https://support.thrustmaster.com>. انقر فوق Drivers، واختر Joysticks / TCA Sidestick X Airbus Edition. قم بتنزيل وتثبيت برنامج التشغيل الخاص بأجهزة الكمبيوتر وواجهته المخصصة للوحة التحكم في نظام التشغيل Windows.



هذا الجهاز مصمم للاستخدام لأغراض الألعاب الترفيهية فقط. ويُحظر تماماً استخدام هذا الجهاز لأغراض أنشطة التدريب المهني.

تضمن شركة Guillemot Corporation S.A العالمية (المشار إليها فيما بعد باسم "Guillemot") ومقرها الرئيسي في Place du Granier, B.P. 97143, 35571 Chantepie, France، للمستهلك أن يكون منتج Thrustmaster هذا خاليًا من عيوب المواد وعيوب التصنيع، طوال مدة فترة الضمان التي تتوافق مع الفترة المحددة التي يمكن خلالها المطالبة بالمطابقة لاسترداد قيمة هذا المنتج أو استبداله. في دول الاتحاد الأوروبي، يسري هذا لمدة (2) عامين من تاريخ استلام المنتج Thrustmaster. وفي دول أخرى، تتوافق فترة الضمان مع الفترة المحددة للمطالبة بمطابقة المنتج Thrustmaster وفقًا للقوانين المعمول بها في الدولة التي كان يقطن بها المستهلك عند تاريخ شراء المنتج Thrustmaster (في حالة عدم المطالبة في الدولة المعنية، ستكون فترة الضمان عام (1) واحد من تاريخ الشراء الأصلي للمنتج Thrustmaster).

وإذا ظهر أن المنتج معييبًا خلال فترة الضمان، فاتصل على الفور بالدعم الفني الذي سيرشدك إلى الإجراءات التي يجب أن تتبناها. وإذا تم التأكد من وجود العيب، فيجب إعادة المنتج إلى مكان شرائه (أو أي موقع آخر يشير إليه الدعم الفني). وفي سياق هذا الضمان، يجب استبدال المنتج المعيب الخاص بالمستهلك أو إصلاحه، وذلك حسب اختيار الدعم الفني. إذا خضع منتج Thrustmaster، في خلال فترة الضمان، لأي عملية إصلاح، فإن أي فترة يكون المنتج خلالها خارج الخدمة ويحد أدنى سبعة (7) أيام سوف تضاف إلى فترة الضمان المتبقية (تبدأ هذه الفترة من تاريخ طلب العميل للتدخل أو من تاريخ تقديم المنتج المذكور للإصلاح، إذا كان تاريخ تقديم المنتج للإصلاح لاحقًا لتاريخ طلب التدخل). تقتصر المسؤولية الكاملة لشركة Guillemot وفروعها (بما في ذلك الأضرار التبعية) على إصلاح المنتج Thrustmaster أو استبداله، وذلك عندما يكون هذا جائزًا بموجب القانون الساري. تخلي شركة Guillemot مسؤوليتها عن أي ضمانات خاصة بالتجارة أو الملاءمة لغرض معين، وذلك عندما يكون هذا جائزًا بموجب القانون الساري.

لا يسري هذا الضمان: (1) إذا تم تعديل المنتج أو فتحه أو تغييره أو إذا تعرض للتلف نتيجة للاستخدام السيئ أو غير الملائم أو الإهمال أو حادث أو الإهلاك نتيجة الاستعمال العادي، أو أي سبب آخر لا يرتبط بوجود عيب في المواد أو التصنيع (بما في ذلك، على سبيل المثال لا الحصر، تجميع منتج Thrustmaster بواسطة أي عنصر غير مناسب، بما في ذلك على وجه الخصوص وحدات الإمداد بالطاقة أو البطاريات القابلة لإعادة الشحن أو الشواحن أو أي عناصر أخرى لا يتم توريدها من خلال Guillemot لهذا المنتج)؛ (2) إذا استخدم المنتج لأي غرض آخر بخلاف الاستخدام المنزلي، بما في ذلك الأغراض المهنية أو التجارية (غرف الألعاب أو التدريب أو المسابقات على سبيل المثال)؛ (3) في حالة عدم الالتزام بالتعليمات المقدمة من قِبل الدعم الفني؛ (4) على البرامج، حيث تخضع هذه البرامج لضمان محدد؛ (5) على العناصر الاستهلاكية (العناصر التي يتم استهلاكها خلال فترة عمر المنتج: كالبطاريات غير القابلة لإعادة الاستخدام أو سماعات الرأس أو وسادات الأذن الخاصة بسماعة الرأس)؛ (6) الملحقات (كالكابلات والعلب والحافظات والحقائب وأربطة المعصم)؛ (7) إذا تم بيع المنتج في مزاد علني.

هذا الضمان غير قابل للتحويل.

لا يؤثر هذا الضمان على الحقوق القانونية للمستهلك بمقتضى القوانين المطبقة على بيع السلع الاستهلاكية في بلده/يلاها.

شروط الضمان الأخرى

خلال فترة الضمان، لن توفر Guillemot، من حيث المبدأ، أي قطع غيار، حيث إن الدعم الفني هو الطرف الوحيد المخول بفتح و/أو إصلاح أي منتج من Thrustmaster (باستثناء أي إجراءات إصلاح يطلب الدعم الفني إجراؤها بواسطة العميل، عن طريق تعليمات مكتوبة – على سبيل المثال، نظرًا لبساطة عملة الإصلاح وعدم سريرتها – وتزويد العميل بقطعة (قطع) الغيار المطلوبة، حيثما أمكن ذلك.

لمقتضى المجالات الإبداعية ولحماية أسرار المعرفة الفنية والأسرار التجارية، لن توفر Guillemot، من حيث المبدأ، أي إشعارات للإصلاح أو قطع غيار لأي منتج Thrustmaster انتهت فترة الضمان الخاصة به.

المسؤولية

تخلي شركة Guillemot Corporation S.A. (المشار إليها فيما بعد باسم "Guillemot") وفروعها ومسؤوليتها كاملة عن أي أضرار تنتج عن حالة أو أكثر من الحالات التالية، إذا كان هذا جائزًا بموجب القانون الساري: (1) تعديل المنتج أو فتحه أو تغييره؛ (2) عدم الالتزام بتعليمات المجموعة؛ (3) الاستخدام السبيء أو غير الملائم أو الإهمال أو التعرض لحادث (تصادم، على سبيل المثال)؛ (4) الإهلاك الناتج عن الاستعمال العادي؛ (5) إذا استخدم المنتج لأي غرض آخر بخلاف الاستخدام المنزلي، بما في ذلك الأغراض المهنية أو التجارية (غرف الألعاب أو التدريب أو المسابقات على سبيل المثال). تخلي شركة Guillemot وفروعها كافة مسؤوليتها عن أي أضرار لا ترتبط بعيب في المواد أو التصنيع يتعلق بالمنتج (متضمنًا، على سبيل المثال لا الحصر، أي أضرار تحدث بشكل مباشر أو غير مباشر بسبب أي برنامج أو عن طريق دمج منتج Thrustmaster مع أي عنصر غير مناسب، بما في ذلك على وجه الخصوص وحدات الإمداد بالطاقة أو البطاريات القابلة لإعادة الشحن أو الشواحن أو أي عناصر أخرى لا يتم توريدها من خلال Guillemot لهذا المنتج)، إذا كان هذا جائزًا بموجب القانون الساري.

THRUSTMASTER®

الدعم الفني

<https://support.thrustmaster.com>



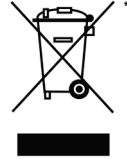
حقوق النشر

حقوق التأليف والطبع والنشر © لعام 2022 مملوكة لمجموعة Guillemot Corporation S.A. جميع الحقوق محفوظة. و®Thrustmaster هي علامة تجارية مسجلة لمجموعة Guillemot Corporation S.A. يتم تصنيعه وتوزيعه بواسطة مجموعة Guillemot Corporation S.A. AIRBUS، وشعارها ومنتجاتها وعلامات خدمتها هي علامات تجارية مسجلة باسم شركة Airbus. جميع الحقوق محفوظة. © Airbus 2022. جميع الحقوق محفوظة. منتج مرخص رسمياً من شركة Airbus. Microsoft و Xbox وتصميم "الكرة" في شعار Xbox و Xbox Series X|S و Xbox One و Windows 10/11 هي علامات تجارية مملوكة لمجموعة شركات Microsoft.

أما جميع العلامات التجارية والأسماء التجارية الأخرى، فهي مُعترف بها بموجب هذه الوثيقة ومملوكة لأصحابها المعنيين. وتخضع المحتويات والتصميم والمواصفات للتغيير دون إشعار، وقد تختلف من بلد إلى آخر. وتعدّ الصور والرسومات غير ملزمة. صُمم في أمريكا الشمالية وأوروبا، وصنّع في الصين.

توصيات الحماية البيئية

يجب، المنتج صلاحية انتهاء عند: وتركيا المتحدة والمملكة الأوروبية الاتحاد في خاصة تجميع نقطة في بوضع لكن، العادية المنزلية النفايات مع منه التخلص عدم والكهربية المعدات نفايات من بالتخلص الإلكترونية (WEEE). ويؤكد ذلك الرمز الموجود على المنتج أو دليل المستخدم أو الغلاف. يمكن إعادة تدوير المواد، على حسب خصائصها. من خلال إعادة التدوير والأشكال الأخرى لمعالجة نفايات المعدات الكهربائية والإلكترونية، يمكنك المشاركة بفعالية في المساعدة على حماية البيئة. يرجى الاتصال بالسلطات المحلية لديك للحصول على معلومات حول نقطة



التجميع الأقرب إليك.

بالنسبة لكافة البلدان الأخرى: يرجى الالتزام بقوانين إعادة التدوير المحلية الخاصة بالمعدات الكهربائية والإلكترونية.

احتفظ بهذه المعلومات. قد تختلف الألوان والزخارف.
يجب إزالة المواد المثبتة واللصقة من المنتج قبل استخدامه.

www.thrustmaster.com

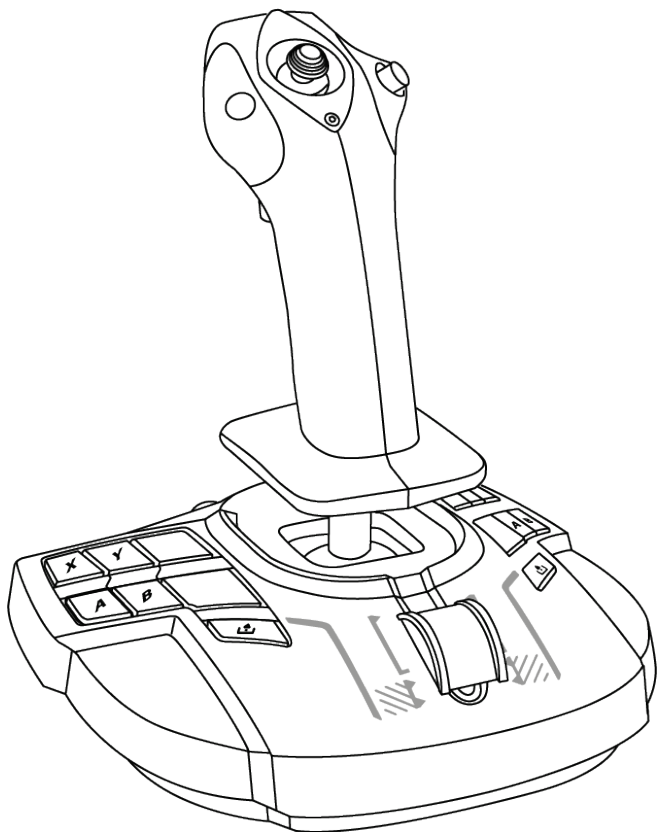
*ينطبق على الاتحاد الأوروبي والمملكة المتحدة وتركيا فقط



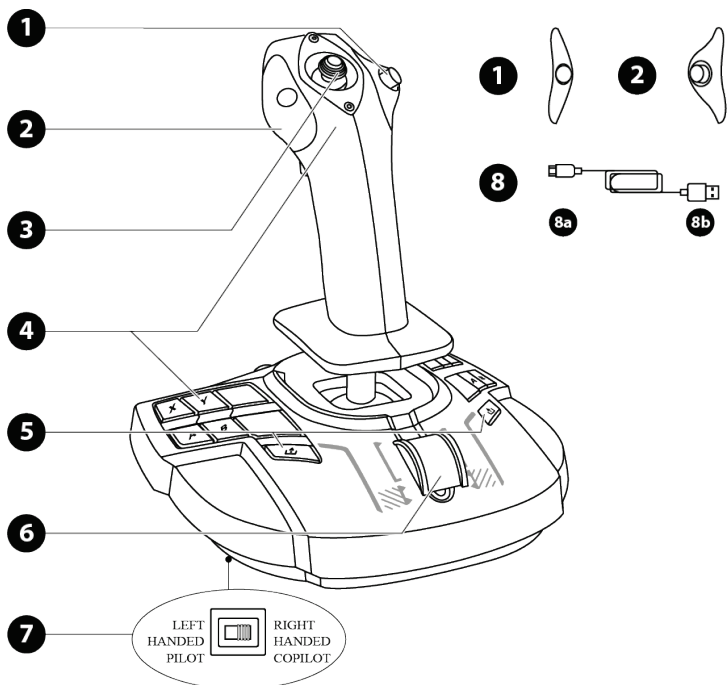
TCA SIDESTICK X **AIRBUS EDITION**

XBOX SERIES X|S – XBOX ONE – PC

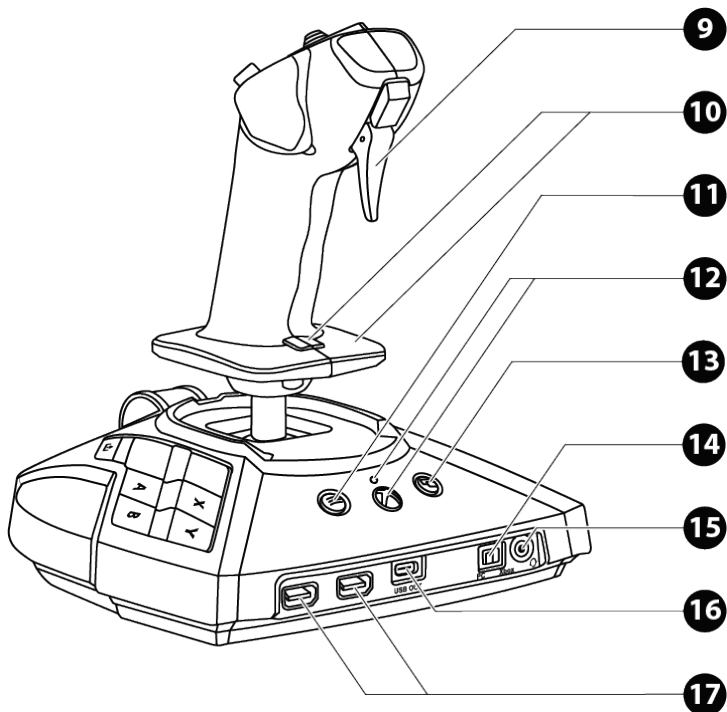
Bruksanvisning



TEKNISKA DELAR



1. Höger knappmoduler
2. Vänster knappmoduler
3. POV-hattknapp
4. 21 actionknappar på Xbox, 22 actionknappar på PC
5. Dela-knappar (Xbox)
6. Gasreglage + en virtuell knapp (endast på PC)
7. Växlingsknapp: LEFT HANDED — PILOT (vänsterhänt — pilot) / RIGHT HANDED — COPILOT (högerhänt — andrepilot)
8. USB-C-kabel (8a) — USB-A-kabel (8b)



- 9. Digital avtryckare
- 10. Roderkontroll via vridbart handtag med handstöd + låsknapp
- 11. Meny-knapp (Xbox)
- 12. Xbox-knapp + LED
- 13. Visa-knapp (Xbox)
- 14. Knapp för att växla mellan Xbox och PC
- 15. 3,5 mm-mikrofonminikontakt för spelheadset*
- 16. USB-C-port
- 17. USB-A-portar för TCA Quadrant Airbus Edition* eller TPR-rodret*

*säljs separat

LÄR KÄNNA DIN JOYSTICK

EXKLUSIV PRECISIONSTEKNIK

H.E.A.R.T: Halleffect AccuRate Technology

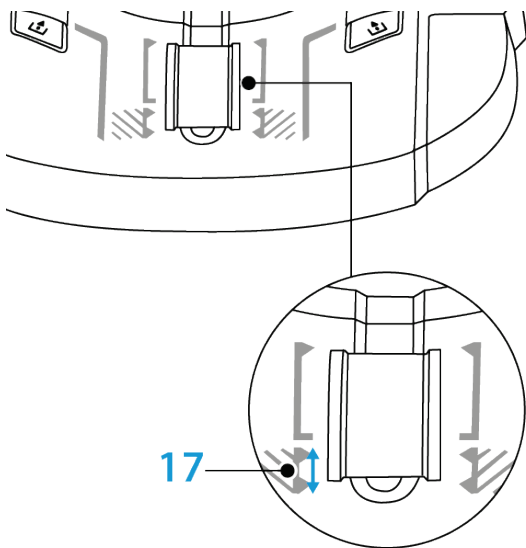
TCA Sidestick X Airbus Edition-joysticken är utrustad med högprecisionsteknik som:

- magnetiska 3D-sensorer (Hall-effekt) på spaken;
- en magnet: ingen friktion, för obegränsad precision och otrolig responsivitet som håller;
- en spiralfjäder på spaken (2,8 mm): för stadig, linjär och extremt mjuk spänning.

GASREGLAGE

Joysticken har ett gasreglage (6) som du kan använda för att enkelt kontrollera ditt flygplans motordragkraft.

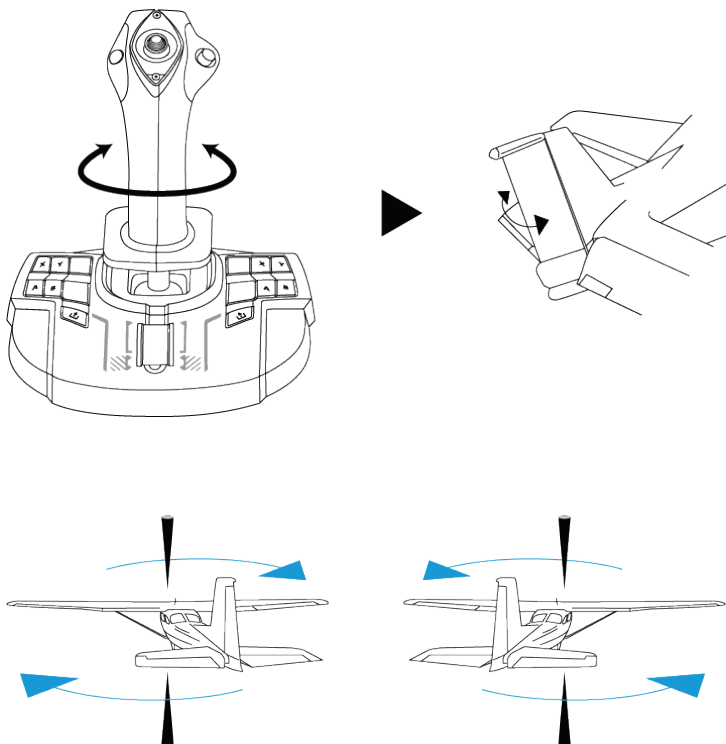
En virtuell knapp som endast finns på PC (nummer 17 i PC-mappningen) är aktiverad de första 20 procenten av gasreglages rörelseområde för att aktivera reverseringssystemet.



RODERFUNKTION

Joysticken har en roderfunktion (**10**). I ett flygplan manipulerar piloten rodet för att vrida planet runt sin längdaxel (vilket gör att planet svänger åt vänster eller höger).

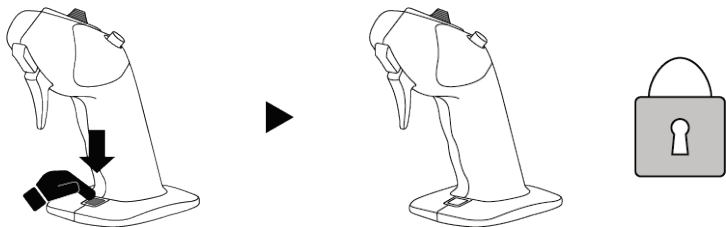
Denna roderfunktion använder du på joysticken genom att vrida spaken till vänster eller höger.



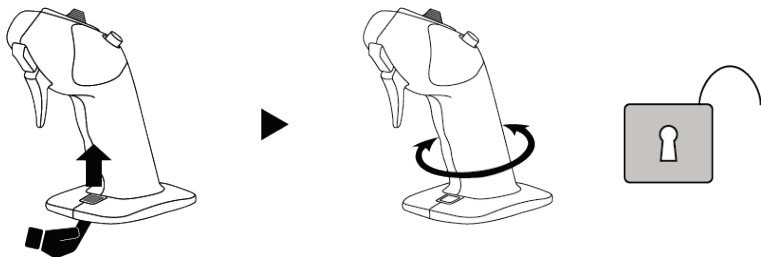
LÅSA/LÅSA UPP RODERFUNKTIONEN

Roderfunktionen kan inaktiveras via låsknappen på baksidan av joystickhandtaget.

Tryck på denna knapp för att låsa rodrets axel.



För tillbaka knappen till det övre läget för att låsa upp rodrets axel.



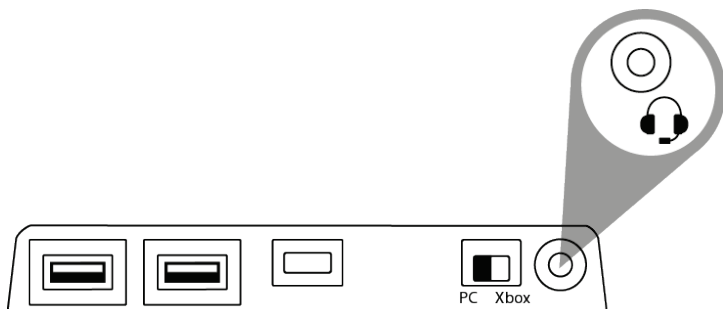
POV-HATTKNAPP

Joysticken har en POV-hattknapp **(3)** som gör att du omedelbart kan se allt som sker runt omkring ditt flygplan (i spel där denna funktion är aktiverad). För att använda denna funktion går du helt enkelt in i spelets inställningsmeny och programmerar de olika vyerna (bakre vy, vänster vy, höger vy, yttre vyer) på POV-hattknappens riktningar.

Om du vill kan du även använda POV-hattknappen till annat istället (som att skjuta t.ex.).

MIKROFONKONTAKT FÖR SPELHEADSET

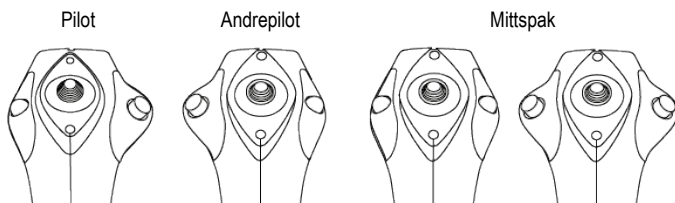
Joysticken har en 3,5 mm-mikrofonminikontakt **(15)** så att du kan använda ett spelheadset med en inbyggd mikrofon för en ännu mer inlevelsefull upplevelse.



AMBIDEXTRIÖST SYSTEM OCH JUSTERBARA MODULER

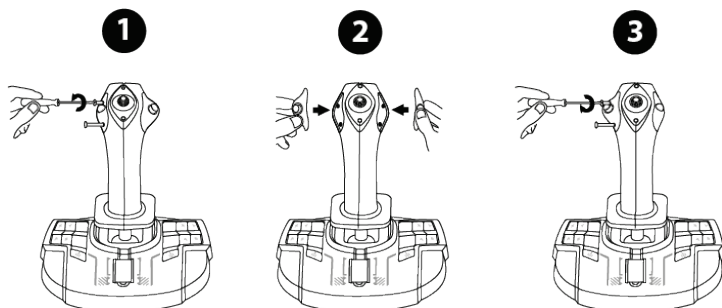
TCA Sidestick X Airbus Edition-joysticken har fördelen att den är ambidextrös och kan därför anpassa sig perfekt till alla spelare vare sig de är höger- eller vänsterhända.

Som standard är joystickens konfiguration i pilotläget. Det finns fyra möjliga konfigurationer:



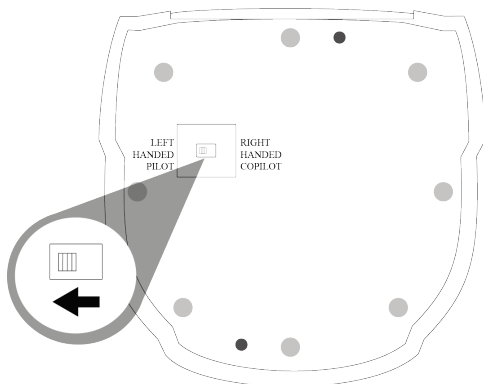
Modifiera joystickens konfiguration:

1. Använd en liten skruvmejsel och skruva försiktigt loss de två skruvarna i varje knappmodul.
2. Ändra modulerna till önskad konfiguration.
3. Skruva i skruvarna igen och dra åt dem ordentligt.



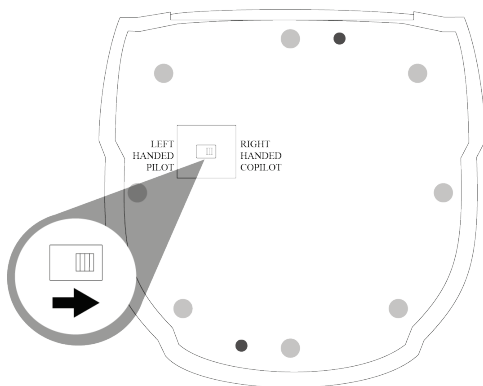
KONFIGURERA SPAKEN I VÄNSTERHÄNT (PILOT) LÄGE

För att identifiera att joysticken är i VÄNSTERHÄNT (PILOT) läge sätter du växlingsknappen (7) under joystickens bas till LEFT HANDED — PILOT innan du ansluter joysticken. Produkten känns då igen som en TCA Sidestick X Pilot.



KONFIGURERA SPAKEN I HÖGERHÄNT (ANDREPILOT) LÄGE

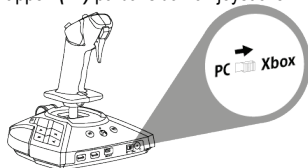
För att identifiera att joysticken är i HÖGERHÄNT (ANDREPILOT) läge sätter du växlingsknappen (7) under joystickens bas till RIGHT HANDED — COPILOT innan du ansluter joysticken. Produkten känns då igen som en TCA Sidestick X Copilot.



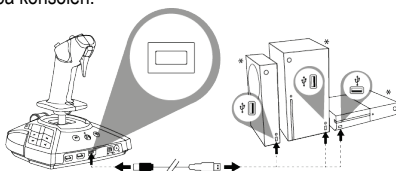
XBOX SERIES X|S / XBOX ONE

INSTALLATION PÅ XBOX SERIES X|S* / XBOX ONE*

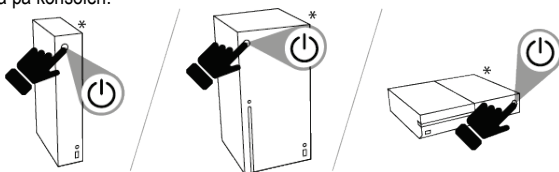
1. Sätt växlingsknappen (14) på baksidan av joysticken i Xbox-läget.



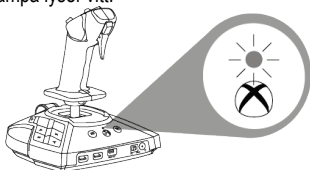
2. Anslut USB-C till USB-A-kabeln (8) till USB-C-porten (16) på joysticken och till en USB-A-port på konsolen.



3. Slå på konsolen.



4. Joystickens LED-lampa lyser vitt.



5. Starta ett kompatibelt spel som stödjer flygspaksläget.

Nu är du redo att spela!

*säljs separat

LISTA MED KOMPATIBLA SPEL PÅ XBOX SERIES X|S / XBOX ONE

TCA Sidestick X Airbus Edition på Xbox Series X|S* / Xbox One*:

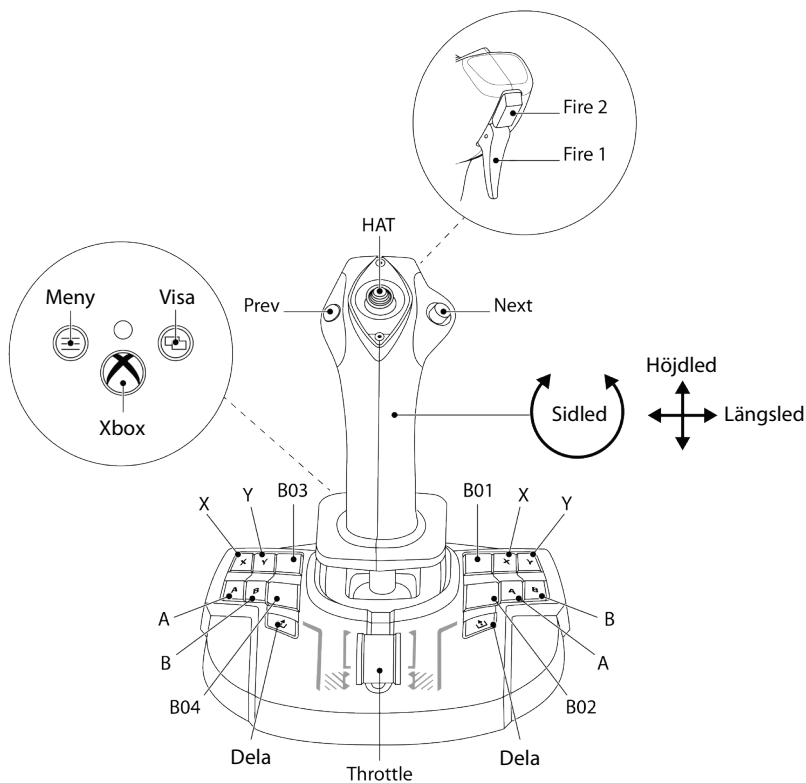
- är endast kompatibel med spel som stödjer flygspaksläget.
- känns igen i spel som en joystick och inte som en handkontroll. Detta ger maximal responsivitet och precision och ger tillgång till joystickens alternativ i dessa spel.

Listan med spel till Xbox Series X|S / Xbox One som är kompatibla med joystickerna finns på <https://support.thrustmaster.com> under **Joystickar / TCA Sidestick X Airbus Edition**.

Denna lista uppdateras regelbundet i takt med att nya spel till Xbox Series X|S / Xbox One som är kompatibla med TCA Sidestick X Airbus Edition släpps.

**säljs separat*

XBOX-MAPPNING



ANSLUTNINGAR FÖR TCA SIDESTICK X AIRBUS EDITION PÅ XBOX SERIES X|S* / XBOX ONE*

TCA Sidestick X Airbus Edition har fyra axlar men låter dig ansluta gasreglagesystemet TCA Quadrant Airbus Edition*, modulerna TCA Quadrant Add-On Airbus Edition* och ett TPR*-rodersystem direkt på baksidan av joysticken.

Endast på Xbox Series X|S* / Xbox One* kan ett andra gasreglagesystem anslutas till TCA Quadrant Airbus Edition* så att joysticken kan hantera upp till nio ytterligare axlar.

På Xbox Series X|S* / Xbox One*, länkas kompatibla Thrustmaster-enheter som ansluts via USB-A-porten med TCA Sidestick X Airbus Edition.



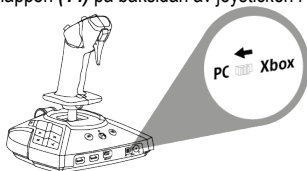
De enda enheterna som stöds på Xbox Series X|S* / Xbox One* är TCA Quadrant Airbus Edition*, TCA Quadrant Add-On Airbus Edition*, och rodersystemen TPR* och TFRP*.

**säljs separat*

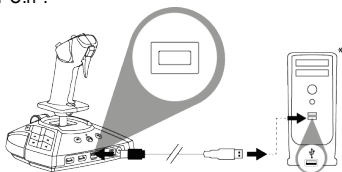
PC

INSTALLATION PÅ PC*

1. Gå till <https://support.thrustmaster.com>. Klicka på **Joystickar / TCA Sidestick X Airbus Edition** och välj **Drivrutiner**. Ladda ner och installera PC-drivrutinen och dess anpassade gränssnitt för Kontrollpanelen i Windows.
2. Sätt växlingsknappen **(14)** på baksidan av joysticken i PC-läget.



3. Anslut USB-C till USB-A-kabeln **(8)** till USB-C-porten **(16)** på joysticken och till en USB-A-port på PC:n*.



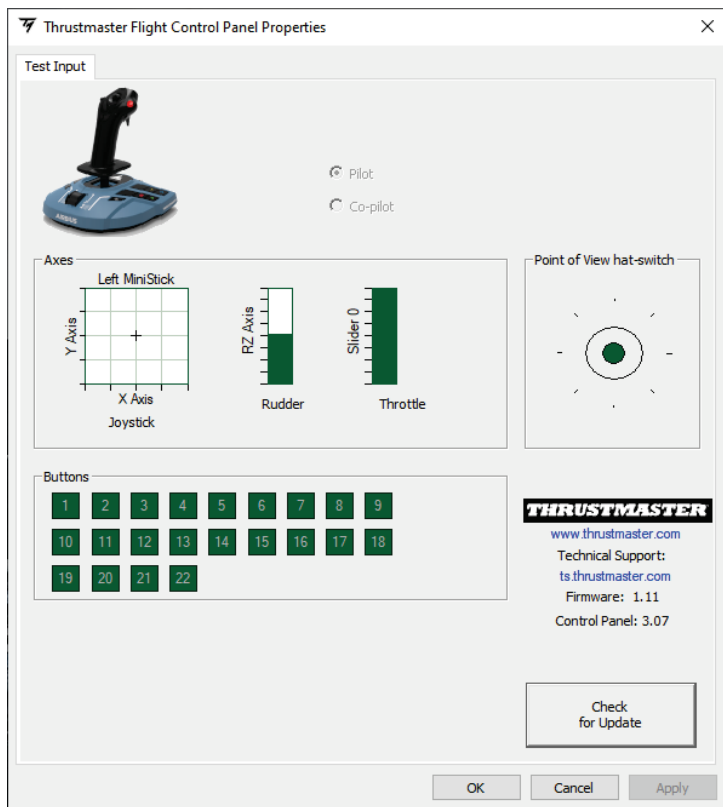
4. Starta ett kompatibelt spel som stödjer HID-flygtillbehör.

Nu är du redo att spela!

**säljs separat*

ANPASSAT GRÄNSSNITT

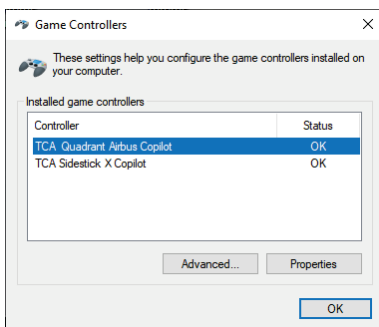
1. Öppna det anpassade kontrollpanelsgränssnittet genom att välja **Start / Appar / Thrustmaster / Kontrollpanelen** (i Windows® 10/11). Dialogrutan **Spelkontroller** visas. Enheten visas på skärmen under namnet **TCA Sidestick X** och med statusen **OK**.
2. Klicka på **Egenskaper** i dialogrutan **Spelkontroller** för att testa och visa alla funktioner.



ANSLUTNINGAR FÖR TCA SIDESTICK X AIRBUS EDITION PÅ PC*

TCA Sidestick X Airbus Edition har fyra axlar men låter dig ansluta gasreglagesystemet TCA Quadrant Airbus Edition*, modulerna TCA Quadrant Add-On Airbus Edition* och ett TPR*-rodersystem direkt på baksidan av joysticken.

När TCA Quadrant Airbus Edition* och rodersystemet TPR* eller TFRP* är anslutna, visas de var för sig i dialogrutan **Spelkontroller** som virtuella enheter:

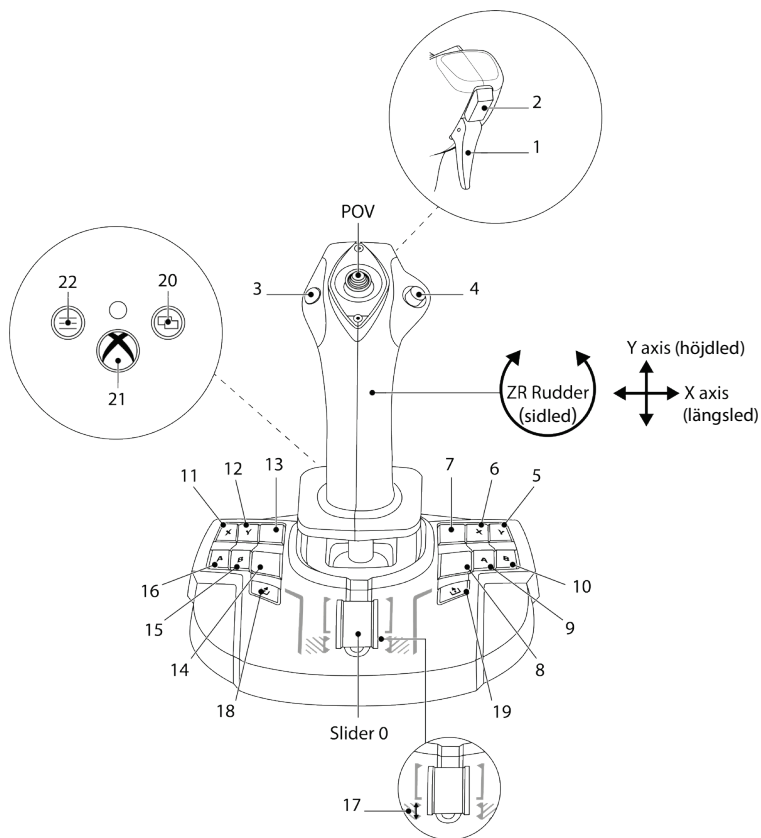


Ansluta rodersystemet TPR* eller TFRP*:

- Drivrutinen måste vara installerad för att enheterna ska fungera som de ska.
- Om rodersystemet är anslutet till joysticken eller till gasreglagesystemet som är anslutet till joysticken, länkas rodersystemets tre axlar med den virtuella kvadranten (TCA Quadrant Airbus Copilot).

**säljs separat*

PC-MAPPING



INSTALLERA TCA SIDESTICK X AIRBUS EDITION KOMBINERAT MED TCA QUADRANT AIRBUS EDITION* OCH RODERSYSTEMEN TPR* OCH TFRP*

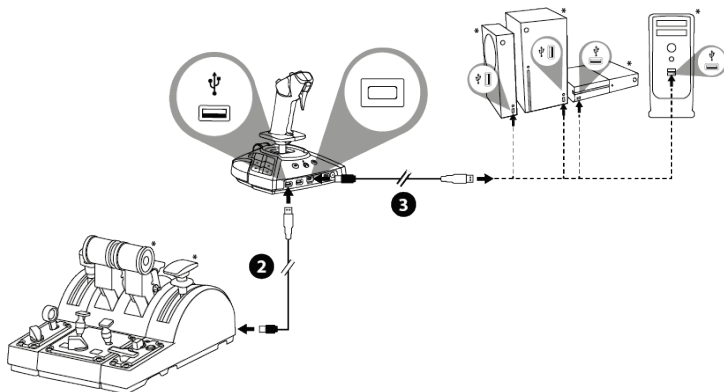
GASREGLAGE OCH TILLBEHÖRSMODULER

TCA Quadrant Airbus Edition* med TCA Quadrant Add-On Airbus Edition*-modulerna ansluter till joysticken.

1. Sätt växlingsknappen **(14)** på baksidan av joysticken i Xbox- eller PC-läget.



2. Anslut en USB-C till USB-A-kabel **(8)** till USB-C-porten på gasreglaget och till en USB-A-port **(17)** på baksidan av joysticken.
3. Anslut en andra USB-C till USB-A-kabel **(8)** till USB-C-porten **(16)** på joysticken och till en USB-A-port på konsolen eller PC:n.



*säljs separat

RODERSYSTEMEM

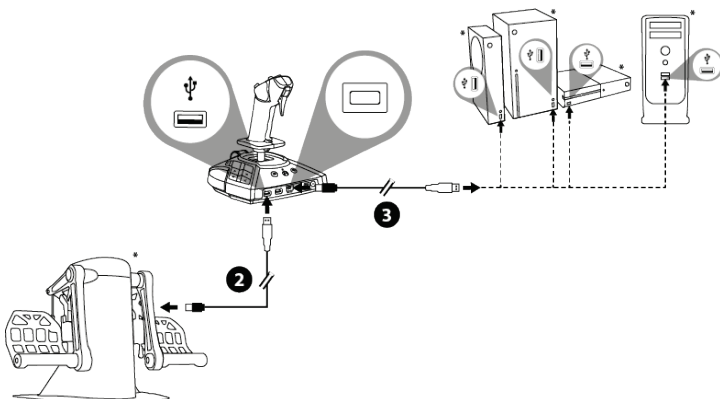
Tre axlar är reserverade för rodersystemen TPR* och TFRP*.

Rodersystemet **TPR*** ansluter till joysticken.

1. Sätt växlingsknappen **(14)** på baksidan av joysticken i Xbox- eller PC-läget.



2. Anslut rodersystemets USB-A till USB-B-kabel till USB-B-porten på rodersystemet och till en USB-A-port **(17)** på baksidan av joysticken.
3. Anslut USB-C till USB-A-kabeln **(8)** till USB-C-porten **(16)** på joysticken och till en USB-A-port på konsolen eller PC:n.



På Xbox Series X|S* / Xbox One* går det inte att ansluta ett TPR*-rodersystem när två TCA Quadrant Airbus Edition*-gasreglagesystem redan är anslutna till TCA Sidestick X Airbus Edition.

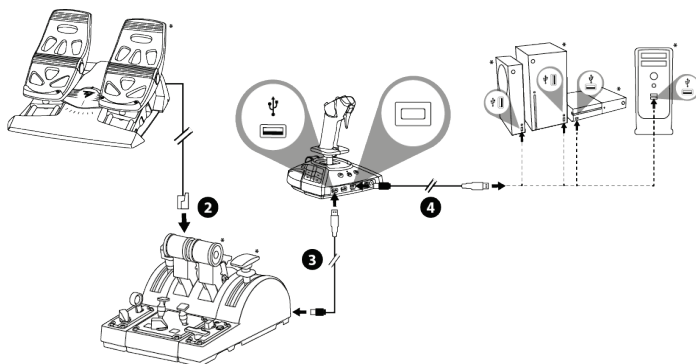
*säljs separat

Rodersystemet **TFRP*** ansluter till gasreglagesystemet när du använder TCA Quadrant Airbus Edition*.

1. Sätt växlingsknappen (**14**) på baksidan av joysticken i Xbox- eller PC-läget.



2. Anslut rodersystemets RJ12-kontakt till RJ12-porten på baksidan av gasreglagesystemet TCA Quadrant Airbus Edition*.
3. Anslut en USB-C till USB-A-kabel (**8**) till USB-C-porten på gasreglagesystemet och till en USB-A-port (**17**) på baksidan av joysticken.
4. Anslut en andra USB-C till USB-A-kabel (**8**) till USB-C-porten (**16**) på joysticken och till en USB-A-port på konsolen eller PC:n.



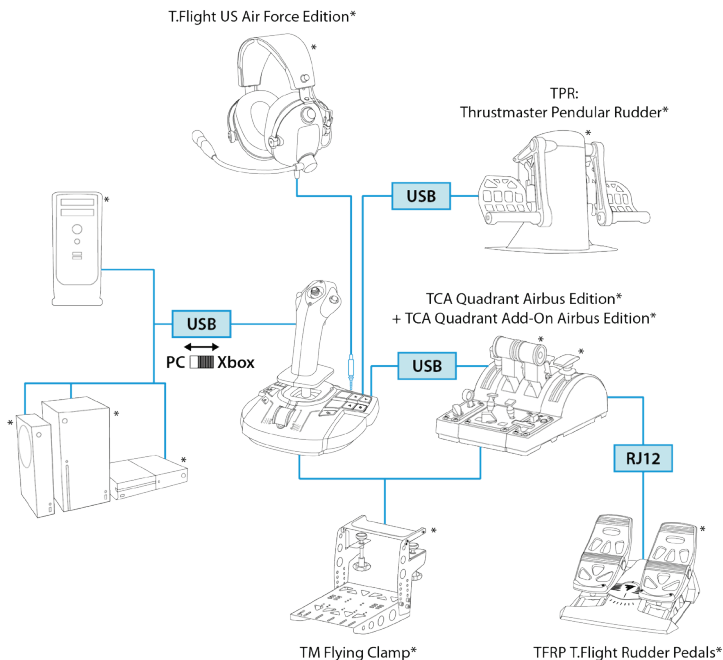
Automatisk kalibrering av axlarna:

- Roderaxeln ska alltid vara centrerad när du ansluter rodersystemet till joysticken eller gasreglagesystemet. Ha inte fötterna på rodret.
- Pedalernas tre axlar kalibrerar sig automatiskt efter några rörelser och efter att ha nått de fysiska stoppen för roderaxeln och de två differentialbromsaxlarna.

*säljs separat

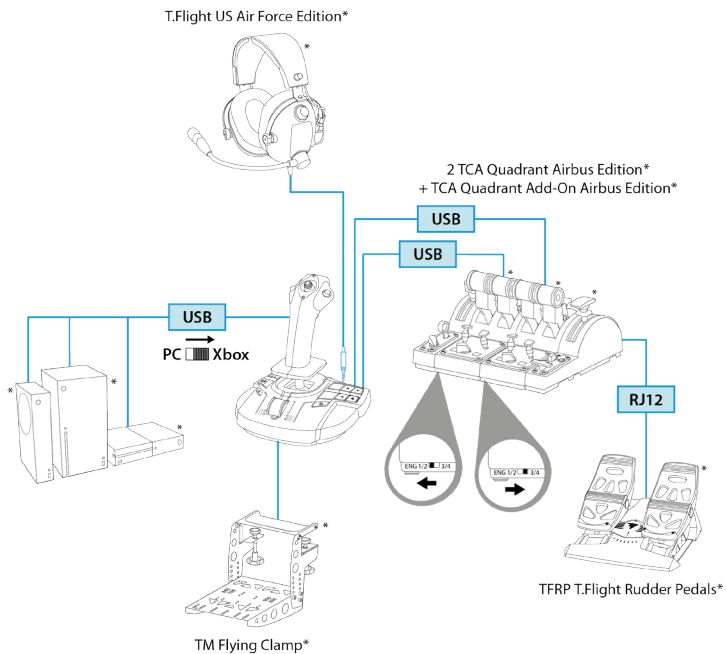
ANSLUTA TCA SIDESTICK X AIRBUS EDITION TILL ALLA KOMPATIBLA PRODUKTER

XBOX SERIES X|S – XBOX ONE – PC



*säljs separat

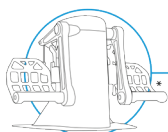
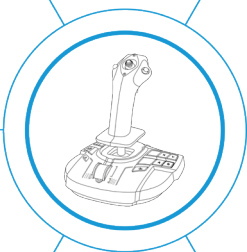
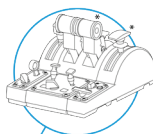
XBOX SERIES X|S – XBOX ONE



*säljs separat

TCA-EKOSYSTEMET

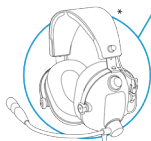
TCA Quadrant Airbus Edition*
+ TCA Quadrant Add-On Airbus Edition*



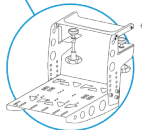
TPR:
Thrustmaster Pendular Rudder*



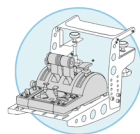
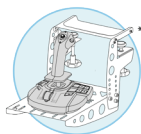
TFRP T.Flight Rudder Pedals*



T.Flight US Air Force Edition*



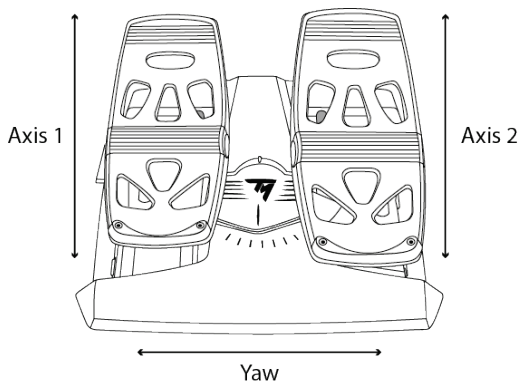
TM Flying Clamp*



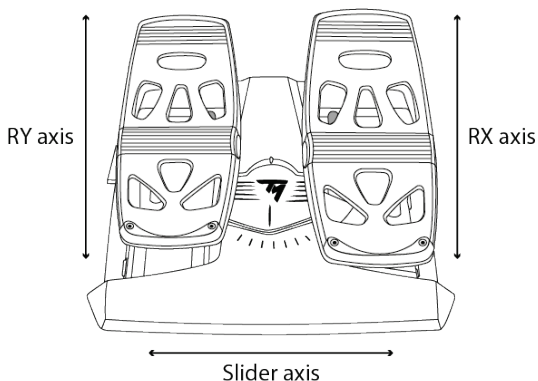
*säljs separat

MAPPNING FÖR TFRP*-RODERSYSTEM VID ANSLUTNING TILL TCA SIDESTICK X AIRBUS EDITION VIA TCA QUADRANT AIRBUS EDITION*

XBOX-MAPPNING



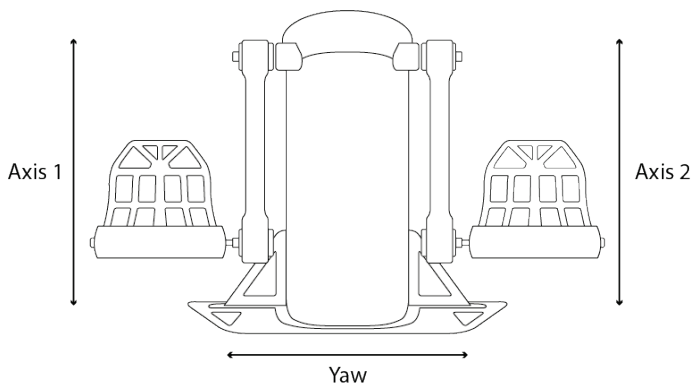
PC-MAPPNING



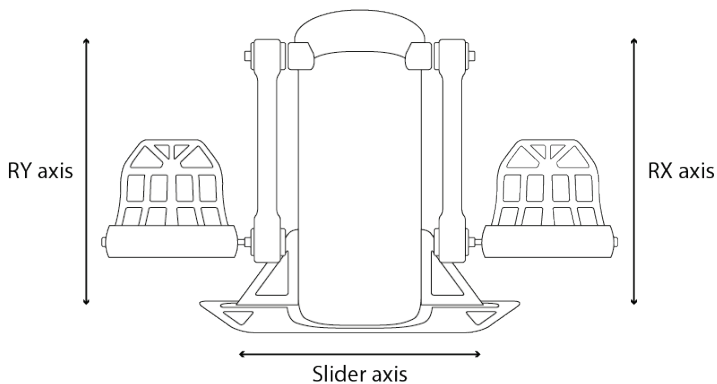
*säljs separat

MAPPNING FÖR TPR*-RODERSYSTEM VID ANSLUTNING TILL TCA SIDESTICK X AIRBUS EDITION

XBOX-MAPPNING



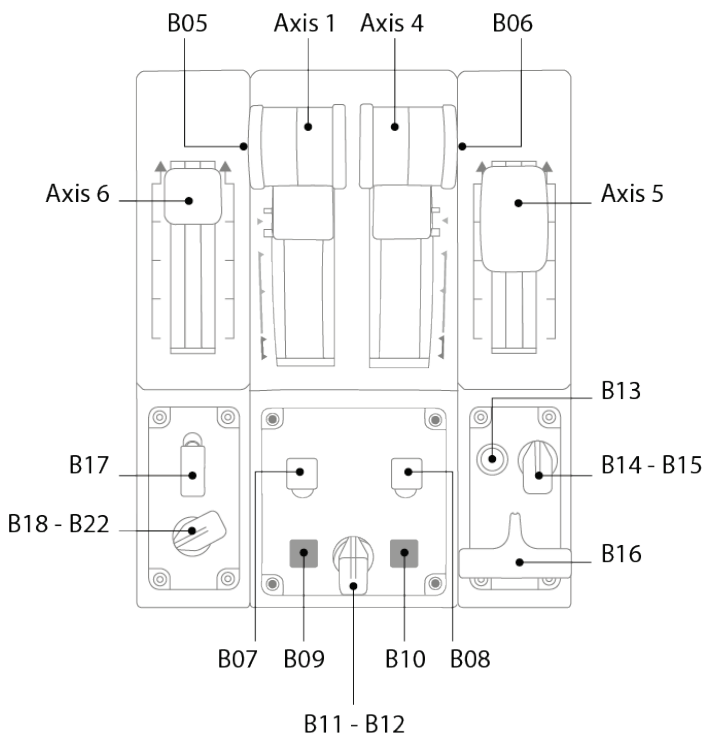
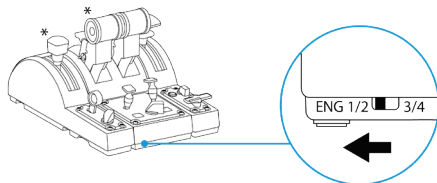
PC-MAPPNING



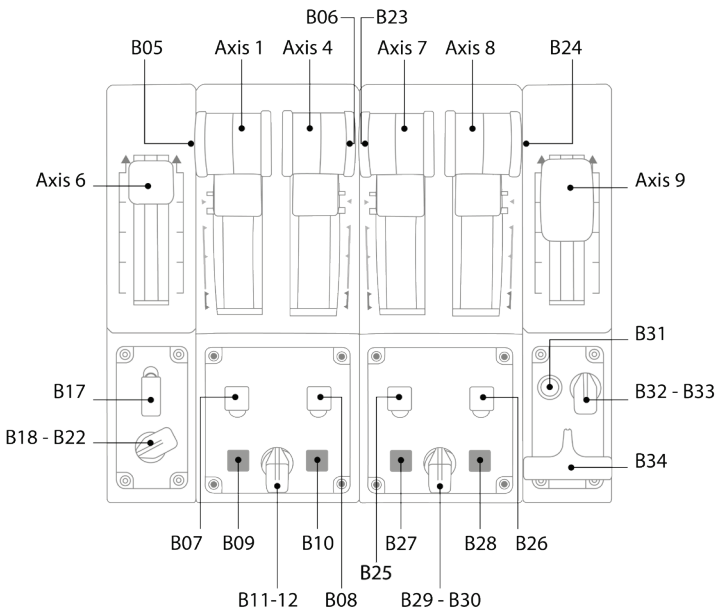
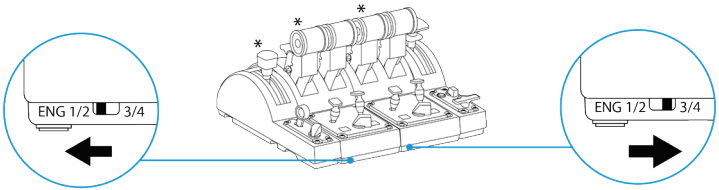
*säljs separat

MAPPNING FÖR TCA QUADRANT AIRBUS EDITION* OCH TCA QUADRANT ADD-ON AIRBUS EDITION* VID ANSLUTNING TILL TCA SIDESTICK X AIRBUS EDITION

XBOX-MAPPNING

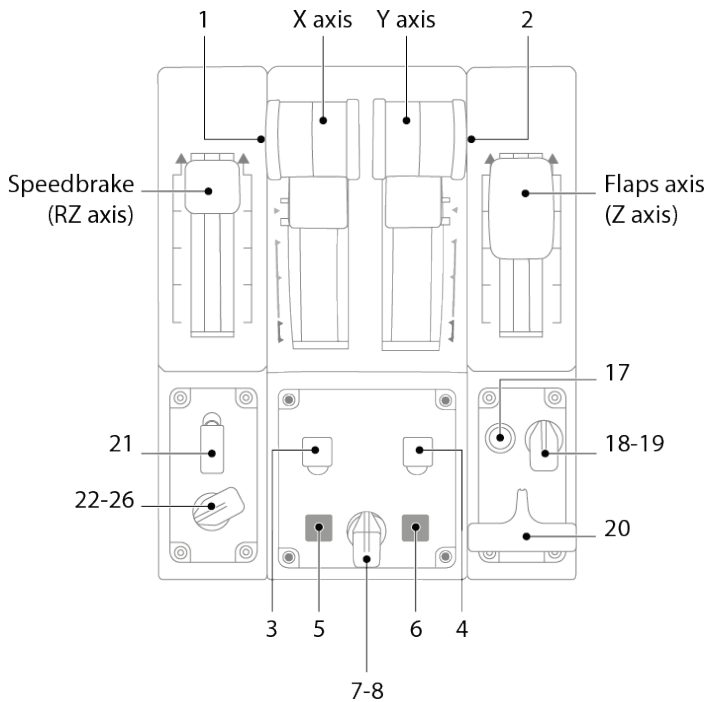
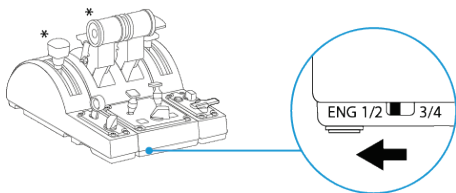


*säljs separat



**säljs separat*

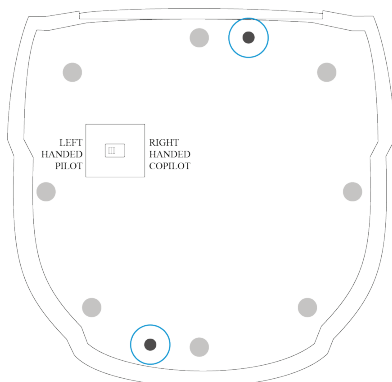
PC-MAPPING



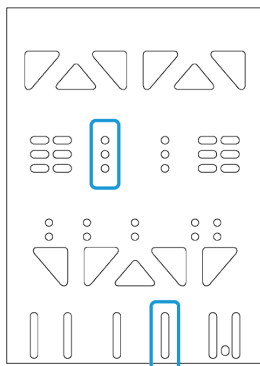
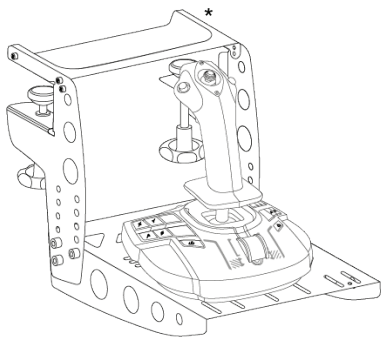
*säljs separat

INSTALLERA TCA SIDESTICK X AIRBUS EDITION PÅ TM FLYING CLAMP*, EN COCKPIT ELLER PÅ ANNAN FAST YTA

Du kan använda de två hålen på undersidan av TCA Sidestick X Airbus Edition för att montera joysticken på en fast yta med hjälp av M6-skrivar (ingår ej).



INSTALLERA TCA SIDESTICK X AIRBUS EDITION PÅ TM FLYING CLAMP*:



*säljs separat

UPPDATERA TCA SIDESTICK X AIRBUS EDITIONS FIRMWARE

Firmwaren som ingår i joysticken kan uppdateras för att dra nytta av produktförbättringar.

För att se joystickens firmwareversion och uppdatera den vid behov: på PC går du till <https://support.thrustmaster.com>. Klicka på **Joystickar / TCA Sidestick X Airbus Edition / Firmware** och följ instruktionerna som beskriver hur man laddar ner och installerar.



De enda enheterna som stöds är gasreglagesystemet TCA Quadrant Airbus Edition* kombinerat med TCA Quadrant Add-On Airbus Edition*-modulerna och rodersystemen TPR* och TFRP*.

Nu är du redo att spela!

**såljs separat*

DET AVANCERADE PROGRAMMERINGSSYSTEMET T.A.R.G.E.T (Thrustmaster Advanced pROgramming Graphical EdiTor)

T.A.R.G.E.T (Thrustmaster Advanced pROgramming Graphical EdiTor) är ett innovativt och högklassigt programpaket som gör det möjligt att förbättra de flesta av Thrustmasters flygkontroller och dela profiler med Thrustmasters community.

LADDA NER T.A.R.G.E.T

Gå till <https://support.thrustmaster.com>. Klicka på **Joystickar / TCA Sidestick X Airbus Edition** och välj sedan **Programvara**. Ladda ner och installera det avancerade programmeringsprogrammet T.A.R.G.E.T.

T.A.R.G.E.T - HUVUDFUNKTIONER:

- Olika möjliga konfigurationer för axlarna.
- Olika möjliga programmeringsnivåer: Basic, Advanced och Script.
- Använder sig av dra och släpp-principen.
- Möjligt att kombinera TCA Sidestick X Airbus Edition med andra joystickar från Thrustmaster (Hotas Cougar*, Hotas Warthog*, T.16000M*, MFD Cougar Pack*, även kompatibla med T.A.R.G.E.T) så att de kan kännas igen som en enda USB-enhet.
- Tillgång till avancerade profiler som skapats av Thrustmasters community.



**säljs separat*

VIKTIG INFORMATION

När du ansluter joysticken ska spaken och rodret alltid vara centrerade och du ska undvika att röra på dem (för att undvika potentiella kalibreringsproblem).

FELSÖKNING OCH VARNINGAR

Min joystick fungerar inte som den ska eller verkar vara felkalibrerad.

- Kontrollera att växlingsknappen **(14)** är i rätt position (Xbox eller PC) innan du ansluter USB-kabeln till konsolen eller PC:n.
- Stäng av konsolen eller PC:n, frånkoppla joysticken, anslut den igen och starta sedan om spelet.
- När du ansluter joysticken ska spaken och rodret vara centrerade och du ska undvika att röra på dem (för att undvika potentiella kalibreringsproblem).

Jag kan inte konfigurera min joystick.

- Gå till **Options-** / **Controller-** / **Gamepad-** eller **Joystick-**menyn i ditt spel och välj lämplig konfiguration eller konfigurera om kontrollerns alternativ helt och hållet.
- Se spelets bruksanvisning eller onlinehjälp för mer information.

Min joystick är för känslig eller inte tillräckligt känslig.

- TCA Sidestick X Airbus Edition kalibrerar sig automatiskt efter att du har gjort några rörelser på de olika axlarna.
- Gå till **Options-** / **Controller-** / **Gamepad-** eller **Joystick-**menyn i ditt spel och justera känsligheten och dödzonerna för din controller (om dessa alternativ finns).

TCA Sidestick X Airbus Editions mikrofonkontakt fungerar inte som den ska.

- TCA Sidestick X Airbus Edition har en USB-ljudenhet. När du ansluter en USB-ljudenhet till Windows för första gången är standardvolymen för alla mikrofoner satt till noll.
- Lös problemet genom gå till ljudinställningarna i Windows för TCA Sidestick X Airbus Editions mikrofonkontakt och sätt ljudnivån till 100 %.

De anslutna enheterna fungerar inte som de ska på PC.

- Installera PC-drivrutinen. Gå till <https://support.thrustmaster.com>. Klicka på **Joystickar / TCA Sidestick X Airbus Edition** och välj **Drivrutiner**. Ladda ner och installera PC-drivrutinen och dess anpassade gränssnitt för Kontrollpanelen i Windows.



Denna enhet är endast avsedd att användas för underhållning i spel. Det är strängt förbjudet att använda enheten som ett professionellt träningsredskap.

GARANTIINFORMATION

Guillemot Corporation S.A., med säte i Place du Granier, B.P. 97143, 35571 Chantepie, Frankrike (hädanefter "Guillemot") garanterar globalt för konsumenten att denna Thrustmaster-produkt ska vara fri från defekter i material och utförande, under en garantiperiod som motsvarar tidsgränsen för att vidta åtgärder mot Guillemot om konsumenten anser att produkten inte är fri från defekter i material och utförande. I länderna i Europeiska unionen motsvarar detta en period på två (2) år från leveransen av Thrustmaster-produkten. I andra länder motsvarar garantiperioden tidsgränsen för att vidta åtgärder mot Guillemot om konsumenten anser att Thrustmaster-produkten inte är fri från defekter i material och utförande enligt de lagar som gäller i landet där konsumenten var bosatt vid inköpsdatumet för Thrustmaster-produkten (om ingen sådan åtgärd existerar i det motsvarande landet ska garantiperioden vara ett (1) år från ursprungligt inköpsdatum av Thrustmaster-produkten).

Trots ovanstående omfattas laddningsbara batterier av en garantiperiod på sex (6) månader från ursprungligt inköpsdatum.

Om produkten skulle visa sig vara defekt under garantiperioden ska du genast kontakta tekniska supporten som då informerar om hur du går vidare. Om defekten bekräftas måste produkten returneras till inköpsstället (eller annat ställe angivet av tekniska supporten).

Inom ramen för denna garanti ska konsumentens defekta produkt, efter tekniska supportens godkännande, antingen ersättas eller repareras så att den fungerar. Om Thrustmaster-produkten under garantiperioden är föremål för sådan renovering, ska alla perioder på minst sju (7) dagar under vilka produkten inte kan användas läggas till återstående garantiperiod (denna period löper från det datum då konsumenten bad om service eller från det datum då produkten ifråga gjorts tillgänglig för reparation, om datumet då produkten gjorts tillgänglig för reparation ligger efter datumet då konsumenten bad om service). Om det är tillåtet enligt gällande lag är Guillemot och dess dotterbolags fulla ansvar (inklusive följskador) begränsat till att reparera eller ersätta Thrustmaster-produkten. Om det är tillåtet enligt gällande lag fransägar sig Guillemot alla garantier för säljbarhet eller lämplighet för ett visst syfte.

Garantin gäller inte: (1) om produkten har modifierats, öppnats, ändrats eller skadats till följd av olämplig användning eller missbruk, försumlighet, olycka, normalt slitage eller annan orsak som inte är relaterad till material- eller tillverkningsfel (inklusive, men inte begränsat till, att kombinera Thrustmaster-produkten med någon olämplig del, i synnerhet nätaggregat, laddningsbara batterier, laddare, eller andra delar som Guillemot inte tillhandahåller för denna produkt); (2) om produkten har använts för annan användning än hemanvändning, inklusive för professionella eller kommersiella ändamål (t.ex. spelrum, träning, tävlingar); (3) om instruktionerna från teknisk support inte följs; (4) programvara, då programvaran har en egen garanti; (5) förbrukningsvaror (delar som byts ut under produktens livslängd: t.ex. engångsbatterier eller öronkuddar till headset eller hörlurar); (6) tillbehör (t.ex. kablar, fodral, påsar, väskor, handledsremmar); (7) om produkten såldes på e offentlig auktion.

Denna garanti är inte överlåtbar.

Konsumentens juridiska rättigheter med avseende på lagar som gäller för försäljning av konsumentvaror i hans land påverkas inte av denna garanti.

Ytterligare garantibestämmelser

Under garantiperioden ska Guillemot i princip inte tillhandahålla några reservdelar eftersom teknisk support är den enda part med behörighet att öppna och/eller renovera Thrustmasters produkter (med undantag för renoveringar som teknisk support ber konsumenten att utföra med hjälp av skriftliga instruktioner – till exempel om renoveringen är enkel och ej konfidentiell – och genom att i gällande fall förse konsumenten med de reservdelar som behövs).

Med tanke på dess innovationscykler och för att skydda dess kunskaper och affärshemligheter, ska Guillemot i princip inte tillhandahålla några renoveringsinstruktioner eller reservdelar för någon Thrustmaster-produkt vars garantiperiod har löpt ut.

Ansvar

Om det är tillåtet enligt gällande lag fransäger sig Guillemot Corporation S.A. (hädanefter "Guillemot") och dess dotterbolag allt ansvar för eventuella skador orsakade av följande: (1) produkten har modifierats, öppnats eller ändrats; (2) underlåtenhet att följa monteringsanvisningarna; (3) olämplig användning eller missbruk, försumlighet, en olycka (t.ex. att produkten tappas); (4) normalt slitage; (5) produkten har använts för annan användning än hemanvändning, inklusive för professionella eller kommersiella ändamål (t.ex. spelrum, träning, tävlingar). Om det är tillåtet enligt gällande lag fransäger sig Guillemot och dess dotterbolag allt ansvar för eventuella skador som inte är relaterade till material- eller tillverkningsfel när det gäller produkten (inklusive, men inte begränsat till, skador som direkt eller indirekt orsakats av någon programvara eller genom att kombinera Thrustmaster-produkten med någon olämplig del, i synnerhet nätaggreat, laddningsbara batterier, laddare, eller andra delar som Guillemot inte tillhandahåller för denna produkt).

THRUSTMASTER®

TEKNISK SUPPORT

<https://support.thrustmaster.com>



UPPHOVSRÄTTSSKYDD

©2022 Guillemot Corporation S.A. Med ensamrätt. Thrustmaster® är ett registrerat varumärke som tillhör Guillemot Corporation S.A. Tillverkas och distribueras av Guillemot Corporation S.A.

AIRBUS, dess logotyp och varu- och servicemärken är registrerade varumärken som tillhör Airbus. Med ensamrätt. © Airbus 2022. Med ensamrätt. Officiellt licensierad av Airbus.

Microsoft, Xbox, Xbox "klotdesign", Xbox Series X|S, Xbox One och Windows 10/11 är varumärken som tillhör Microsoft-koncernen.

Alla andra varumärken och märkesnamn erkänns härmed och tillhör sina respektive ägare. Innehåll, konstruktioner och specifikationer kan ändras utan föregående meddelande och kan variera från land till land. Foton och illustrationer är inte bindande. Designad i Nordamerika och Europa. Tillverkad i Kina.

MILJÖSKYDD



I Europeiska unionen, Storbritannien och Turkiet: När produkten har slutat fungera ska den inte slängas i vanligt hushållsavfall, utan kasseras vid en uppsamlingsplats för bortskaffandet av elektriskt och elektroniskt avfall (WEEE) för återvinning.

Detta bekräftas av symbolen på produkten, bruksanvisningen eller förpackningen.

Beroende på dess egenskaper kan materialet kanske återvinnas. Genom återvinning och andra sätt att hantera elektriskt och elektroniskt avfall kan du göra ett viktigt bidrag till att hjälpa till att skydda miljön.

Kontakta dina lokala myndigheter för information om uppsamlingsplatsen som är närmast dig.

För alla andra länder: Följ lokala återvinningslagar för elektriskt och elektroniskt avfall.

Behåll denna information. Färger och dekorationer kan variera.

Plastfästen och lim/klister/tejp bör avlägsnas från produkten innan den används.

www.thrustmaster.com

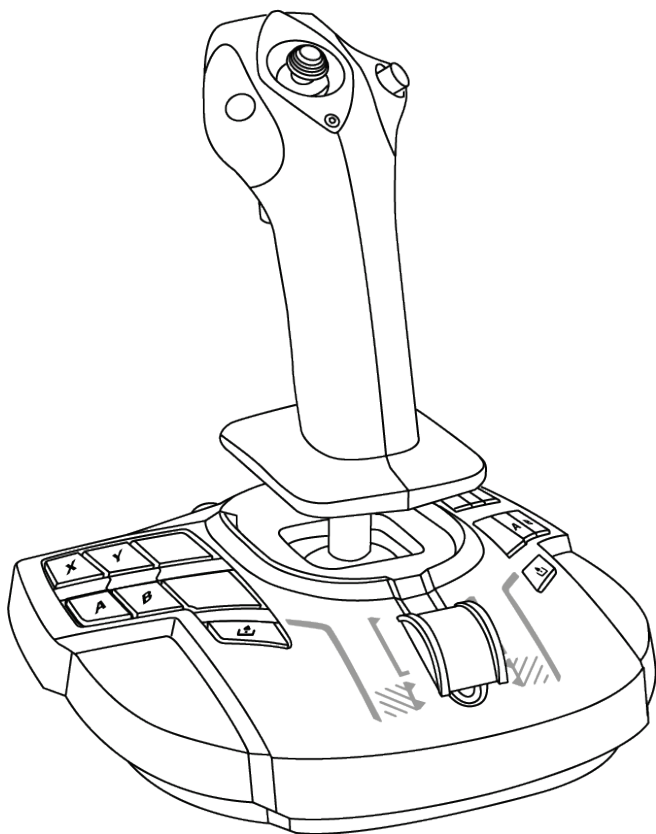
**Gäller endast EU, Storbritannien och Turkiet*



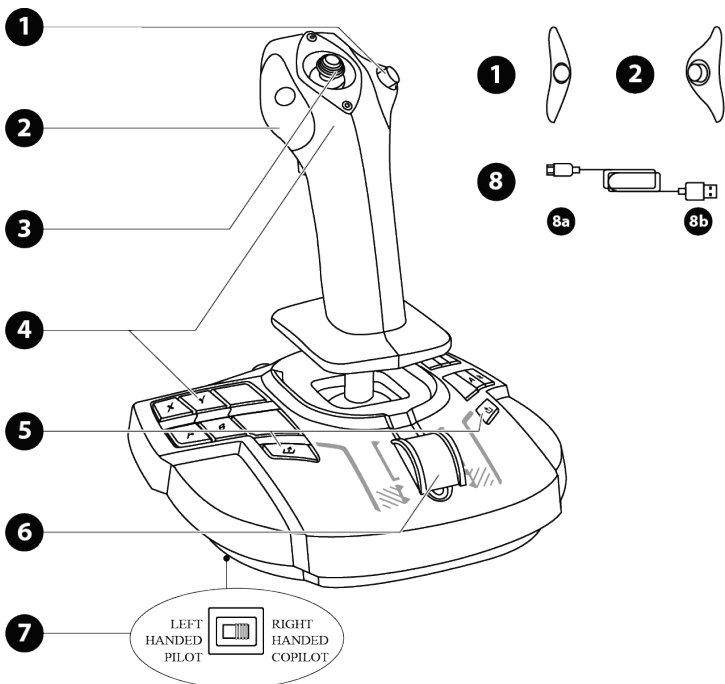
TCA SIDESTICK X AIRBUS EDITION

XBOX SERIES X|S – XBOX ONE – PC

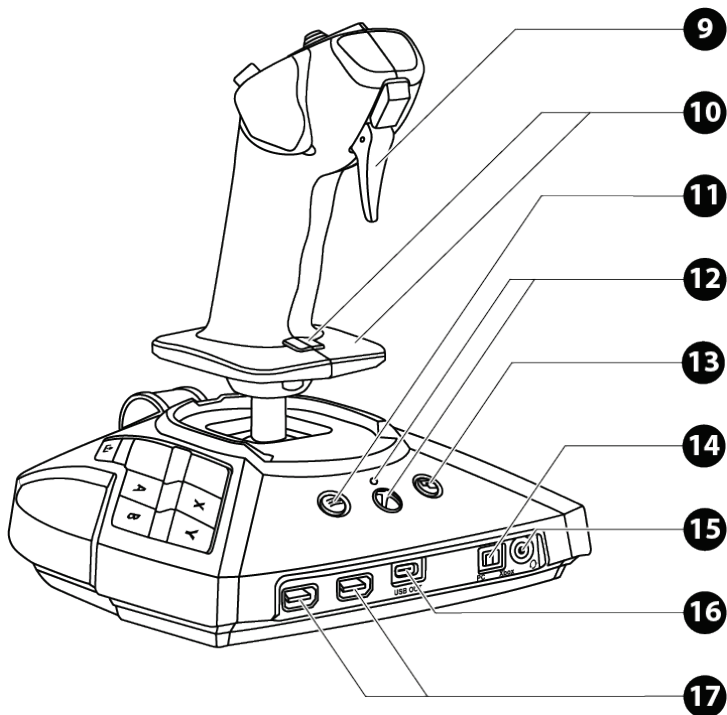
Käyttöohje



TEKNISET OMINAISUUDET



1. Oikeat painikemoduulit
2. Vasemmat painikemoduulit
3. Monisuuntainen "näkömön" hattusäädin
4. 21 toimintopainiketta Xboxilla, 22 toimintopainiketta PC:llä
5. Jaa-painikkeet (Xbox)
6. Tehovipu + yksi virtuaalipainike (vain PC)
7. Valintakytkin: LEFT HANDED — PILOT (vasenkätinen – pilotti) / RIGHT HANDED — COPILOT (oikeakätinen – perämies)
8. USB-C (8a) – USB-A (8b) -kaapeli



- 9. Digitaalinen liipaisin
- 10. Sivuperäsimen ohjaus sauvaa kääntämällä ja käsituella + lukituspainike
- 11. Valikkopainike (Xbox)
- 12. Xbox-painike + LED
- 13. Näkymäpainike (Xbox)
- 14. Xbox-/PC-valintakytkin
- 15. 3,5 mm:n mini-jack-mikrofoniliitin pelikuulokeille*
- 16. Type-C USB -portti
- 17. Type-A USB -portit TCA Quadrant Airbus Editionille* tai TPR-sivuperäsimelle*

* Myydään erikseen

TUTUSTU SAUVAOHJAIMEESI

YKSINOIKEUDELLINEN TARKKUUSTEKNOLOGIA

H.E.A.R.T: Halleffect AccuRate Technology

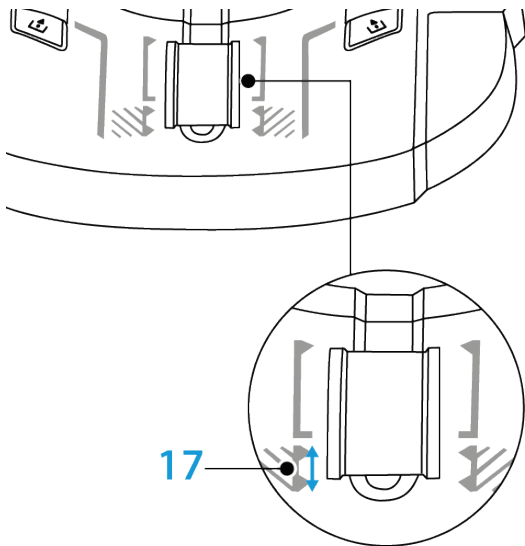
TCA Sidestick X Airbus Edition -sauvaohjain sisältää huipputarkkaa teknologiaa, joihin kuuluvat:

- sauvasta löytyvät magneettiset 3D (Hall Effect) -anturit
- magneetti: kitkattomuus tarjoaa rajatonta tarkkuutta ja uskomatonta vastetta, joka kestää
- sauvan kierrejoussi (2,8 mm): vakaa, lineaarinen ja äärimmäisen sulava jäykkyys.

TEHOVIPU

Ohjain sisältää tehovivun (6), jolla voi helposti hallita lentokoneen moottorin tehoa.

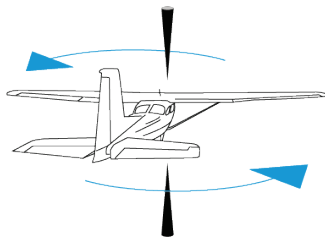
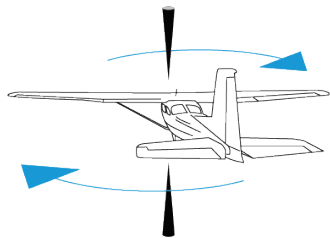
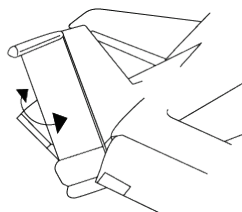
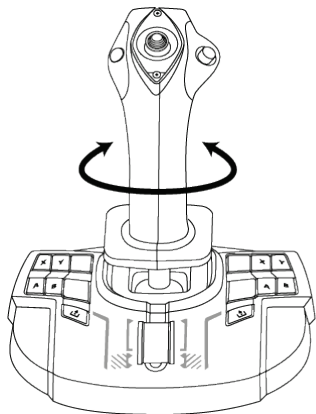
Vain PC-tietokoneille saatavilla oleva virtuaalipainike (numero 17 PC-määrittelyssä) on käytössä tehovivun liikeradan ensimmäisen 20 prosentin kohdalla. Sen avulla voidaan käyttää moottorijarrua.



SIVUPERÄSINTOIMINTO

Sauvaohjain sisältää sivuperäsintoiminnon (**10**). Pilotti käyttää lentokoneen sivuperäsintä kääntääkseen konetta vertikaalisen akselinsa ympäri (ja saa sen siten kääntymään vasemmalle tai oikealle).

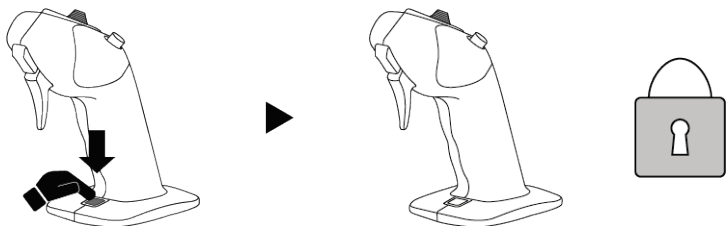
Tätä sivuperäsintoimintoa voi käyttää ohjaimelta pyörittämällä (l. kiertämällä) kahvaa vasemmalle tai oikealle.



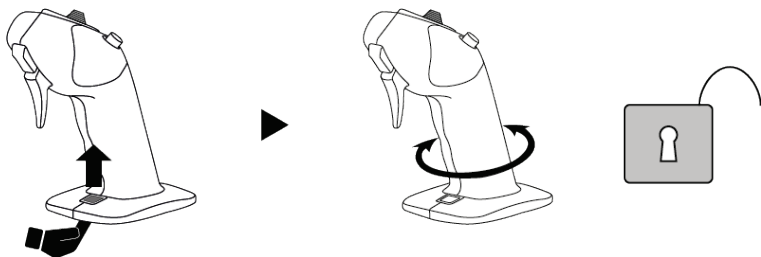
LUKITSE/AVAA SIVUPERÄSINTOIMINTO

Sivuperäsintoiminto voidaan poistaa käytöstä ohjaimen kahvan takaosasta löytyvää lukituspainiketta käyttämällä.

Lukitse sivuperäsimen akseli paikoilleen tätä painiketta painamalla.



Aseta painike takaisin yläasentoonsa avataksesi sivuperäsimen akselin.



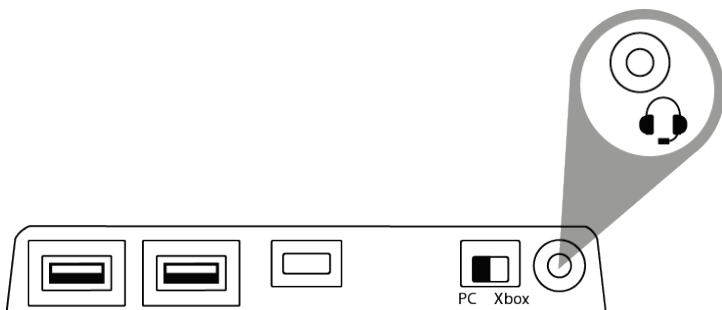
MONISUUNTAINEN "NÄKYMÄN" HATTUSÄÄDIN

Ohjain sisältää monisuuntaisen "näkymän" hattusäätimen (3), jolla voi katsoa välittömästi ympäri lentokonetta (tätä toimintoa käytävissä peleissä). Käytä ominaisuutta menemällä pelin asetusvalikkoon ja ohjelmoi eri näkymät (takanäkymä, vasen näkymä, oikea näkymä ja ulkonäkymät) monisuuntaisen hattusäätimen eri suunnille.

Voit halutessasi käyttää "näkymän" hattusäädintä myös muissa toiminnoissa (mm. tulitus).

MIKROFONILIITIN PELIKUULOKKEILLE

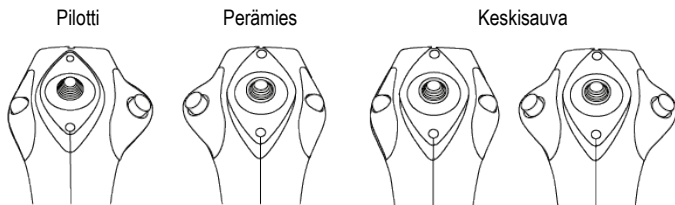
Sauvaohjain sisältää 3,5 mm mini-jack-mikrofoniliittimen (15), jonka avulla pelikuulokkeita voi käyttää sisäänrakennetun mikrofonin kanssa ja nauttia mukaansatempaavammasta pelikokemuksesta.



MOLEMPIKÄTINEN JÄRJESTELMÄ JA SÄÄDETTÄVÄT MODUULIT

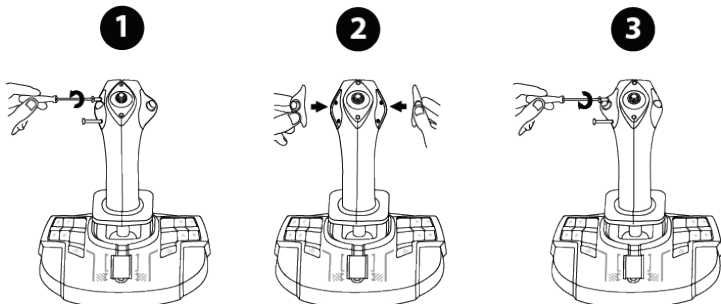
TCA Sidestick X Airbus Edition -ohjainta voi käyttää molemmilla käsillä, minkä avulla se sopeutuu sekä oikea- että vasenkätisten pelaajien käyttöön.

Ohjain on oletusarvoisesti määritetty pilottitilaan. Tarjolla on neljä asetusta:



Sauvaohjaimen määritysten muokkaaminen:

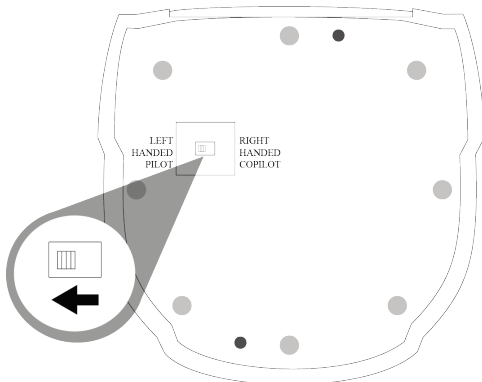
1. Avaa ja poista pienellä ruuvimeisselillä varovasti kaksi ruuvia molemmista painikemoduuleista.
2. Vaihda moduulit haluamasi määrittelyn mukaiseksi.
3. Aseta ruuvit takaisin ja kiinnitä ne täysin.



SAUVAN MÄÄRITTÄMINEN VASENKÄTISEEN (PILOTTI) TILAAN

Jotta sauvaohjain tunnistetaan VASENKÄTISESSÄ (PILOTTI) tilassa, aseta sauvaohjaimen jalustasta löytyvä valintakytkin (7) LEFT HANDED — PILOT -asentoon ennen sauvaohjaimen yhdistämistä.

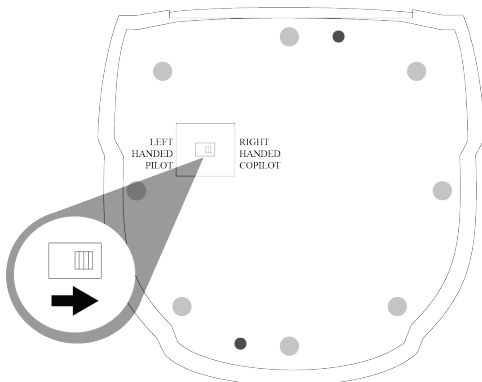
Tuote tunnistetaan TCA Sidestick X Pilot -ohjaimeksi.



SAUVAN MÄÄRITTÄMINEN OIKEAKÄTISEEN (PERÄMIES) TILAAN

Jotta sauvaohjain tunnistetaan OIKEAKÄTISESSÄ (PERÄMIES) tilassa, aseta sauvaohjaimen jalustasta löytyvä valintakytkin (7) RIGHT HANDED — COPILOT -asentoon ennen sauvaohjaimen yhdistämistä.

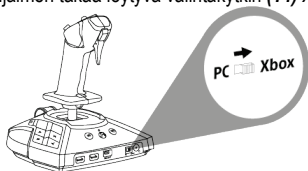
Tuote tunnistetaan TCA Sidestick X Copilot -ohjaimeksi.



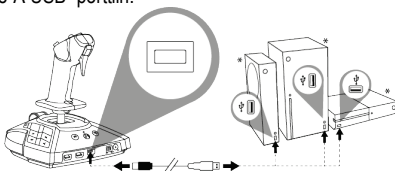
XBOX SERIES X|S / XBOX ONE

ASENNUS – XBOX SERIES X|S* / XBOX ONE*

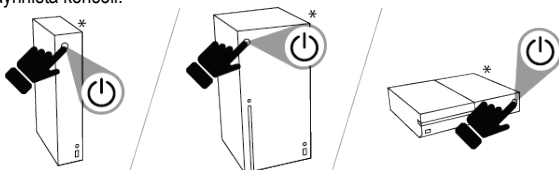
1. Aseta sauvaohjaimen takaa löytyvä valintakytin (14) Xbox-asettoon.



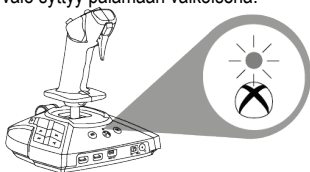
2. Yhdistä USB-C – USB-A -kaapeli (8) sauvaohjaimen Type-C USB -porttiin (16) ja konsolin Type-A USB -porttiin.



3. Käynnistä konsoli.



4. Peliohjaimen LED-valo syttyy palamaan valkoisena.



5. Käynnistä lentosauvatilaa tukeva peli.

Olet nyt pelivalmis!

* Myydään erikseen

LISTA YHTEENSOPIVISTA XBOX SERIES X|S- / XBOX ONE -PELEISTÄ

Xbox Series X|S:llä* / Xbox Onella* TCA Sidestick X Airbus Edition:

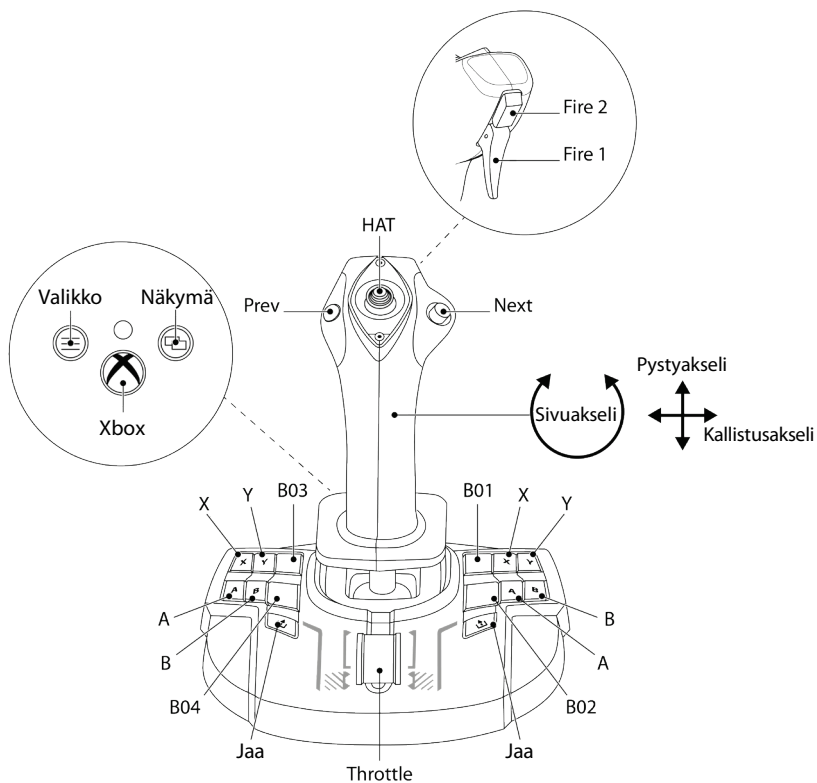
- on yhteensopiva vain lentosauvatilaa tukevien pelien kanssa.
- tunnistetaan peleissä sauvaohjaimena eikä peliohjaimena, mikä mahdollistaa maksimaalisen reagoivuuden ja tarkkuuden sekä kyvyn käyttää peleissä saatavilla olevia sauvaohjaimen asetuksia.

Lista sauvaohjaimen kanssa yhteensopivista Xbox Series X|S- / Xbox One -peleistä löytyy osoitteen <https://support.thrustmaster.com> osiosta **Joysticks / TCA Sidestick X Airbus Edition**.

Listaa päivitetään säännöllisesti, kun uusia TCA Sidestick X Airbus Edition -yhteensopivia pelejä saapuu Xbox Series X|S:lle / Xbox Onelle.

** Myydään erikseen*

XBOX-MÄÄRITYKSET



TCA SIDESTICK X AIRBUS EDITIONIN LIITÄNNÄT – XBOX SERIES X|S* / XBOX ONE*

TCA Sidestick X Airbus Edition sisältää neljä akselia, mutta se sallii suoran yhdistämisen TCA Quadrant Airbus Edition* -tehovipu järjestelmään, TCA Quadrant Add-On Airbus Edition* -moduuleihin ja TPR*-sivuperäsinjärjestelmään sauvaohjaimen takaosasta käsin.

Vain Xbox Series X|S:llä* / Xbox Onella*: Toinen tehovipu järjestelmä voidaan yhdistää TCA Quadrant Airbus Editioniin*, jolloin sauvaohjain hallitsee jopa yhdeksää lisäakselia.

Xbox Series X|S:llä* / Xbox Onella* Type-A USB -portin kautta yhdistetyt yhteensopivat Thrustmaster-laitteet sulautetaan TCA Sidestick X Airbus Editioniin.



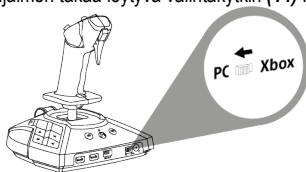
TCA Quadrant Airbus Edition*, TCA Quadrant Add-On Airbus Edition* sekä TPR*- ja TFRP*-sivuperäsinjärjestelmät ovat ainoita Xbox Series X|S-* / Xbox One* -tuettuja laitteita.

** Myydään erikseen*

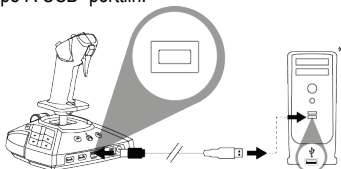
PC

ASENNUS PC-TIETOKONEELLE*

1. Mene osoitteeseen <https://support.thrustmaster.com>. Napsauta **Joysticks / TCA Sidestick X Airbus Edition** ja valitse **Drivers**. Lataa ja asenna tietokoneen ajurit sekä sen erillinen käyttöliittymä Windowsin ohjauspaneelia varten.
2. Aseta sauvaohjaimen takaa löytyvä valintakytkin (14) PC-asentoon.



3. Yhdistä USB-C – USB-A -kaapeli (8) sauvaohjaimen Type-C USB -porttiin (16) ja PC-tietokoneen* Type-A USB -porttiin.



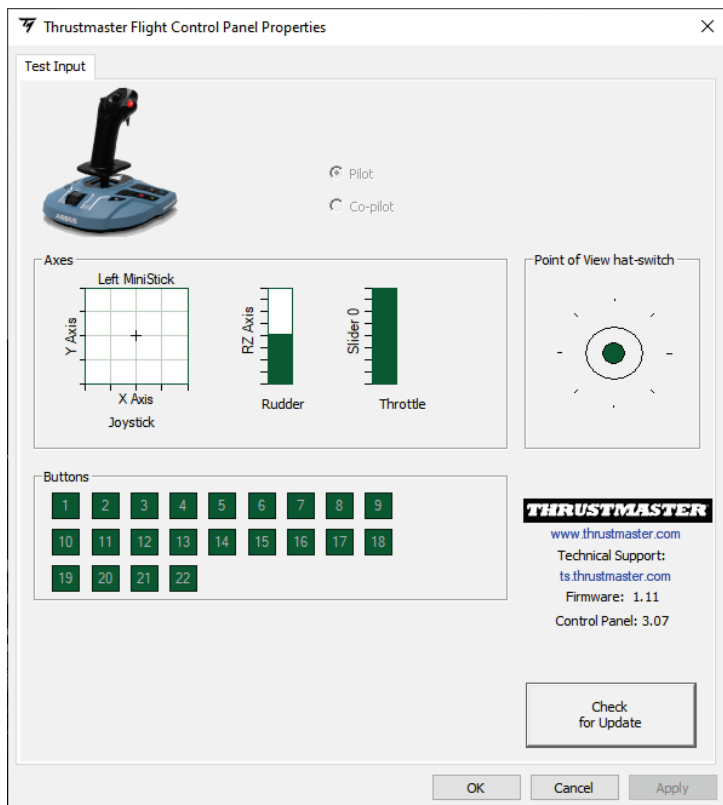
4. Käynnistä HID-lentolisälaitteiden kanssa yhteensopiva peli.

Olet nyt pelivalmis!

* Myydään erikseen

MUKAUTETTU KÄYTTÖLIITTYMÄ

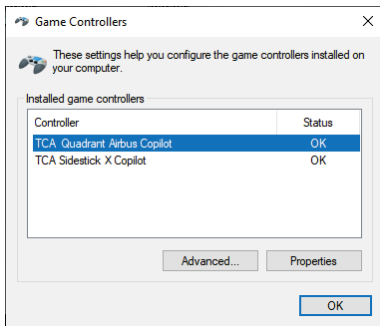
1. Avaa ohjauspaneelin mukautettu käyttöliittymä valitsemalla **Aloita / Sovellukset / Thrustmaster / Control Panel** (Windows® 10/11).
Game Controllers (Peliohjaimet) -ikkuna ilmestyy ruudulle. Laite näkyy ruudulla nimellä **TCA Sidestick X**, ja sen tila on **OK**.
2. Napsauta **Game Controllers** (Peliohjaimet) -ikkunassa kohtaa **Properties** (Ominaisuudet) testataksesi ja nähdäksesi kaikki toiminnot.



TCA SIDESTICK X AIRBUS EDITIONIN LIITÄNNÄT – PC*

TCA Sidestick X Airbus Edition sisältää neljä akselia, mutta se sallii suoran yhdistämisen TCA Quadrant Airbus Edition* -tehovipujärjestelmään, TCA Quadrant Add-On Airbus Edition* -moduuleihin ja TPR*-sivuperäsinjärjestelmään sauvaohjaimen takaosasta käsin.

Kun TCA Quadrant Airbus Edition* ja TPR*- tai TFRP*-sivuperäsinjärjestelmä on yhdistetty, ne näkyvät erikseen **Game Controllers** (Peliohjaimet) -ikkunassa virtuaalilaitteina:

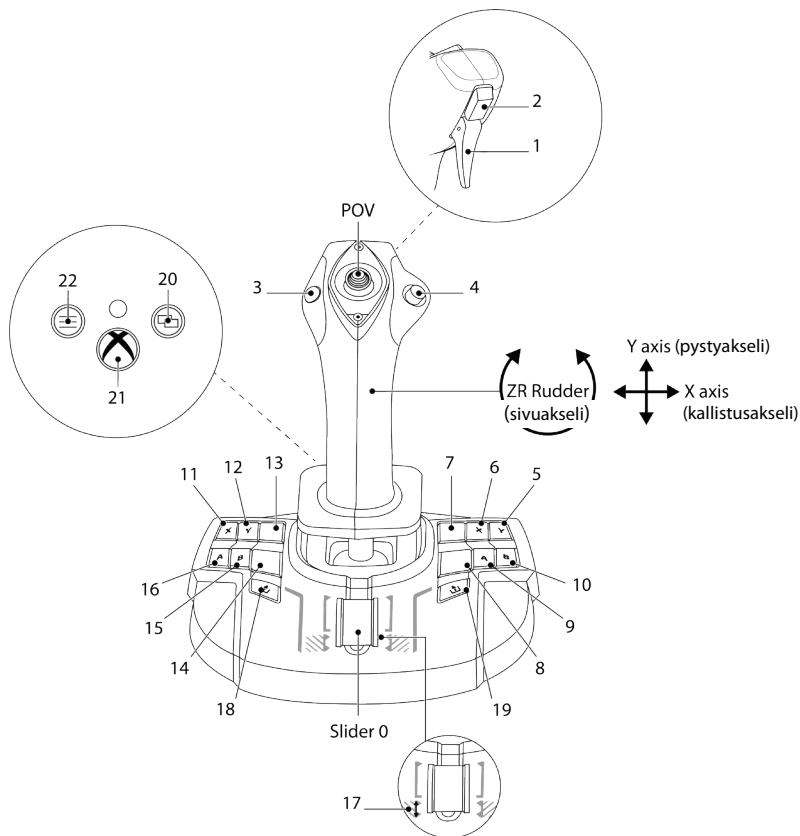


TPR*- tai TFRP*-sivuperäsinjärjestelmän yhdistäminen:

- Ajurin täytyy olla asennettuna, jotta laitteet toimivat oikein.
- Jos sivuperäsinjärjestelmä on yhdistetty sauvaohjaimen tai sauvaohjaimen yhdistettyyn tehovipujärjestelmään, sivuperäsinjärjestelmän kolme akselia sulautetaan virtuaaliyksikköön (TCA Quadrant Airbus Copilot).

* Myydään erikseen

PC-MÄÄRITYKSET

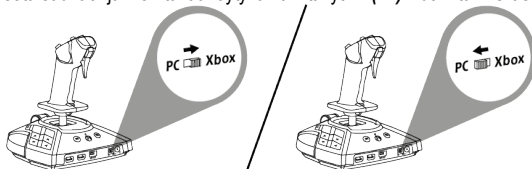


TCA SIDESTICK X AIRBUS EDITIONIN ASENNUS YHDESSÄ TCA QUADRANT AIRBUS EDITIONIN* JA TPR*- JA TFRP*-SIVUPERÄSINJÄRJESTELMIEN KANSSA

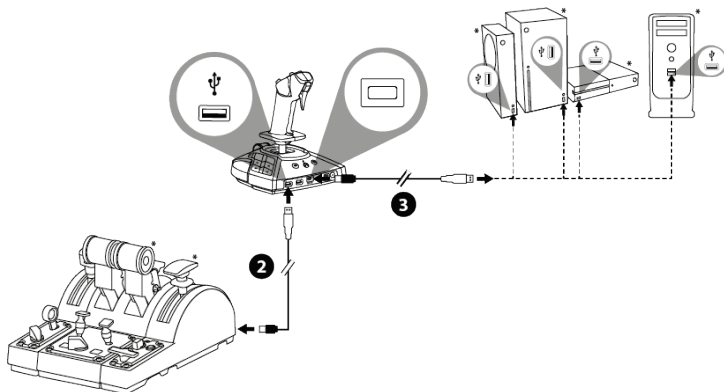
TEHOVIPU JA LISÄMODUULIT

TCA Quadrant Add-On Airbus Edition* -moduuleihin liitetty TCA Quadrant Airbus Edition* yhdistyy sauvaohjaimen.

1. Aseta sauvaohjaimen takaa löytyvä valintakytkin **(14)** Xbox- tai PC-asentoon.



2. Yhdistä USB-C – USB-A -kaapeli **(8)** tehovipuyksikön Type-C USB -porttiin ja sauvaohjaimen takaa löytyvään Type-A USB -porttiin **(17)**.
3. Yhdistä toinen USB-C – USB-A -kaapeli **(8)** sauvaohjaimen Type-C USB -porttiin **(16)** ja konsolin tai PC-tietokoneen Type-A USB -porttiin.



* Myydään erikseen

SIVUPERÄSINJÄRJESTELMÄ

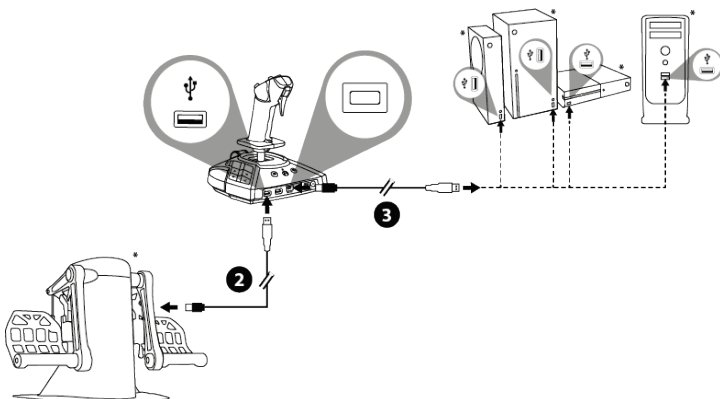
Kolme akselia on varattu TPR*- tai TFRP*-sivuperäsinjärjestelmälle.

TPR*-sivuperäsinjärjestelmä yhdistyy sauvaohjaimen.

1. Aseta sauvaohjaimen takaa löytyvä valintakytkin (14) Xbox- tai PC-asentoon.



2. Yhdistä sivuperäsinjärjestelmän USB-A – USB-B -kaapeli sivuperäsinjärjestelmän Type-B USB -porttiin ja sauvaohjaimen takaa löytyvään Type-A USB -porttiin (17).
3. Yhdistä USB-C – USB-A -kaapeli (8) sauvaohjaimen Type-C USB -porttiin (16) ja konsolin tai PC-tietokoneen Type-A USB -porttiin.

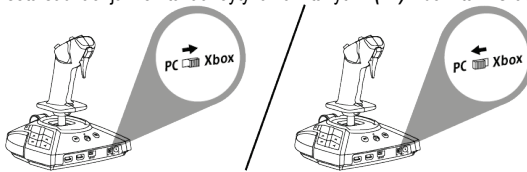


TPR*-sivuperäsinjärjestelmää ei voi yhdistää Xbox Series X|S:lle* / Xbox Onelle*, kun kaksi TCA Quadrant Airbus Edition*-tehovipujärjestelmää on jo yhdistetty TCA Sidestick X Airbus Editioniin.

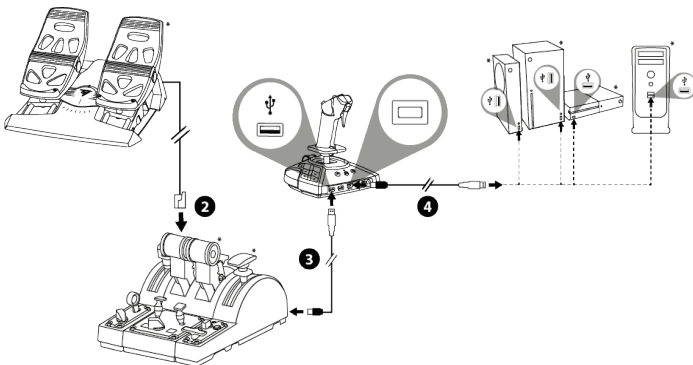
* Myydään erikseen

TFRP*-sivuperäsinjärjestelmä yhdistyy tehovipujärjestelmään, kun käytössä on TCA Quadrant Airbus Edition*.

1. Aseta sauvaohjaimen takaa löytyvä valintakytkin (14) Xbox- tai PC-asentoon.



2. Yhdistä sivuperäsinjärjestelmän RJ12-liitin TCA Quadrant Airbus Edition -tehovipujärjestelmän takaa löytyvään RJ12-porttiin.
3. Yhdistä USB-C – USB-A -kaapeli (8) tehovipujärjestelmän Type-C USB -porttiin ja sauvaohjaimen takaa löytyvään Type-A USB -porttiin (17).
4. Yhdistä toinen USB-C – USB-A -kaapeli (8) sauvaohjaimen Type-C USB -porttiin (16) ja konsolin tai PC-tietokoneen Type-A USB -porttiin.



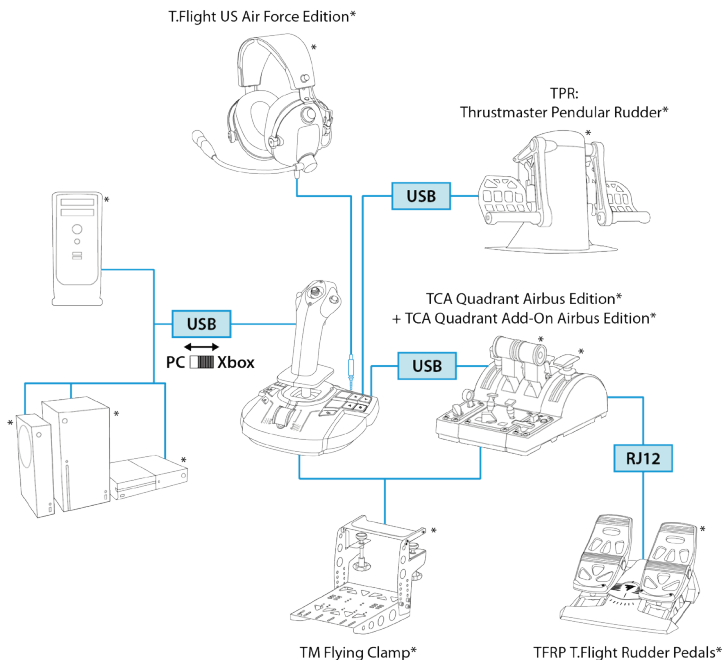
Akseleiden automaattinen kalibrointi

- Jätä aina sivuperäsimen akseli täysin keskelle, kun yhdistät sivuperäsinjärjestelmää sauvaohjaimen tai tehovipujärjestelmään. Älä aseta jalkojasi peräsimelle.
- Poljinten kolme akselia kalibroivat itsensä automaattisesti muutaman liikkeen jälkeen, ja kun peräsin ja kaksi itsenäisesti toimivaa jarruakselia ovat saavuttaneet fyysiset ääripäänsä.

* Myydään erikseen

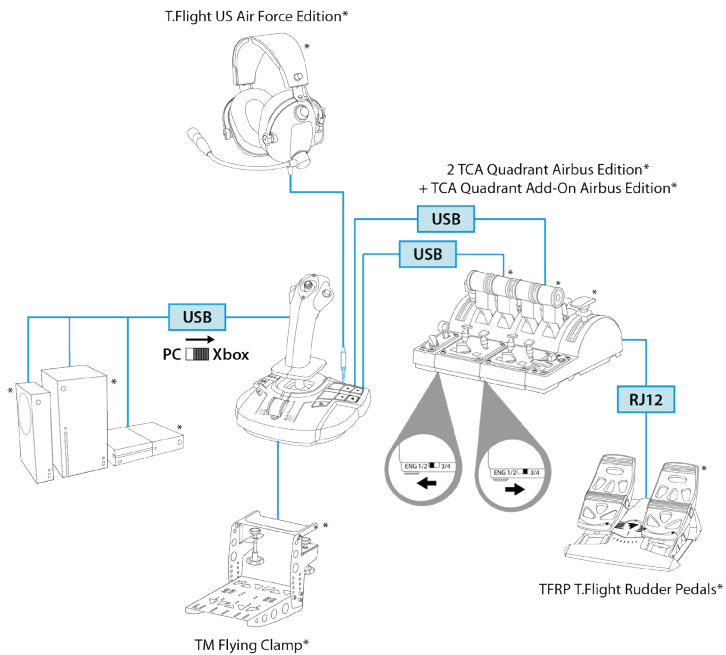
TCA SIDESTICK X AIRBUS EDITIONIN YHDISTÄMINEN KAIKKIIN YHTEENSOPIVIIN TUOTTEISIIN

XBOX SERIES X|S – XBOX ONE – PC



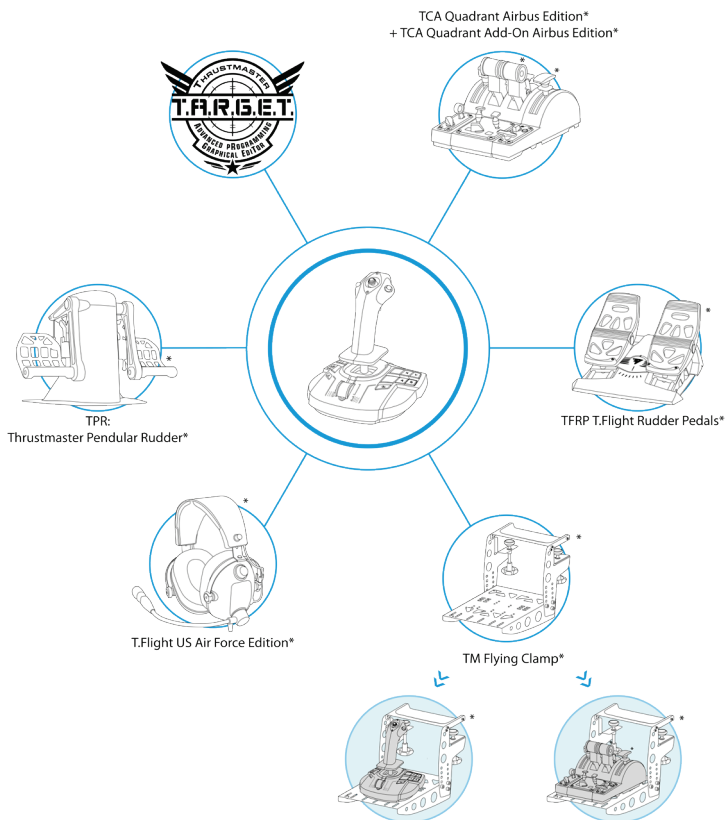
* Myydään erikseen

XBOX SERIES X|S – XBOX ONE



* Myydään erikseen

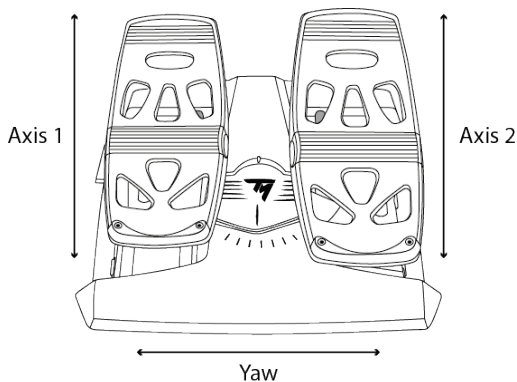
TCA-EKOSYSTEEMI



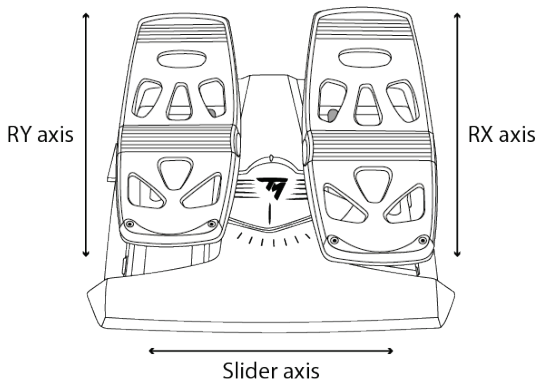
* Myydään erikseen

MÄÄRITYKSET – TCA SIDESTICK X AIRBUS EDITIONIIN TCA QUADRANT AIRBUS EDITIONIN* KAUTTA YHDISTETTY TFRP*-SIVUPERÄSINJÄRJESTELMÄ

XBOX-MÄÄRITYKSET



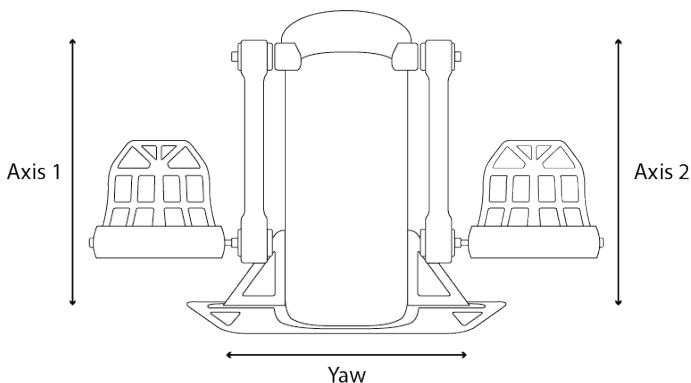
PC-MÄÄRITYKSET



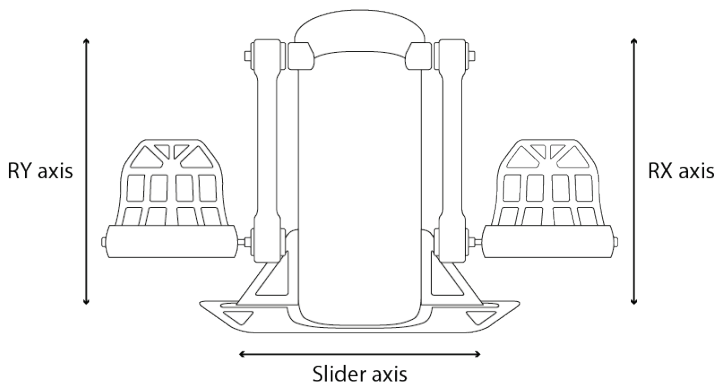
* Myydään erikseen

MÄÄRITYKSET – TCA SIDESTICK X AIRBUS EDITIONIIN YHDISTETTY TPR*-SIVUPERÄSINJÄRJESTELMÄ

XBOX-MÄÄRITYKSET



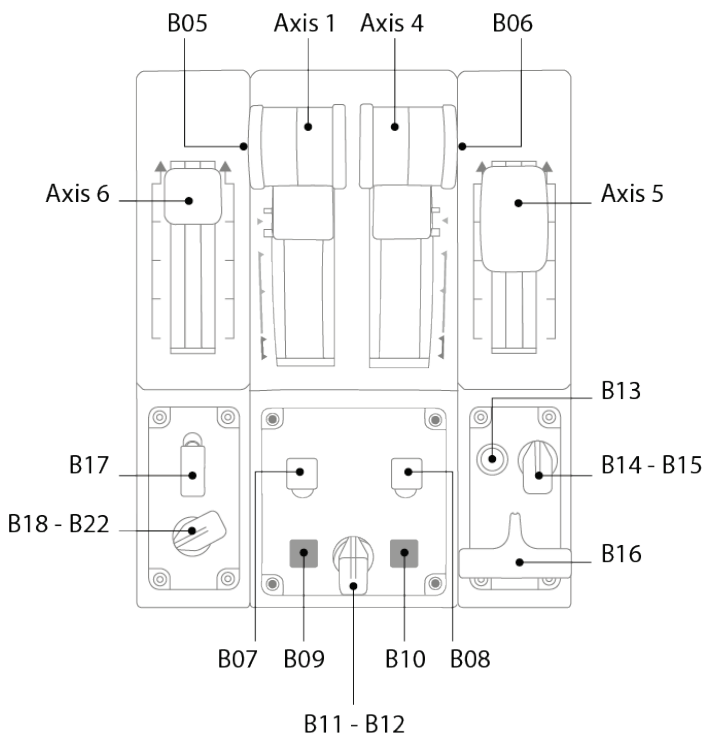
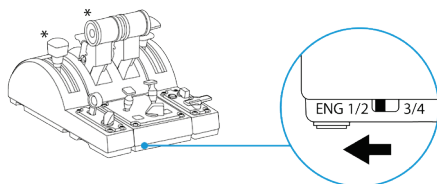
PC-MÄÄRITYKSET



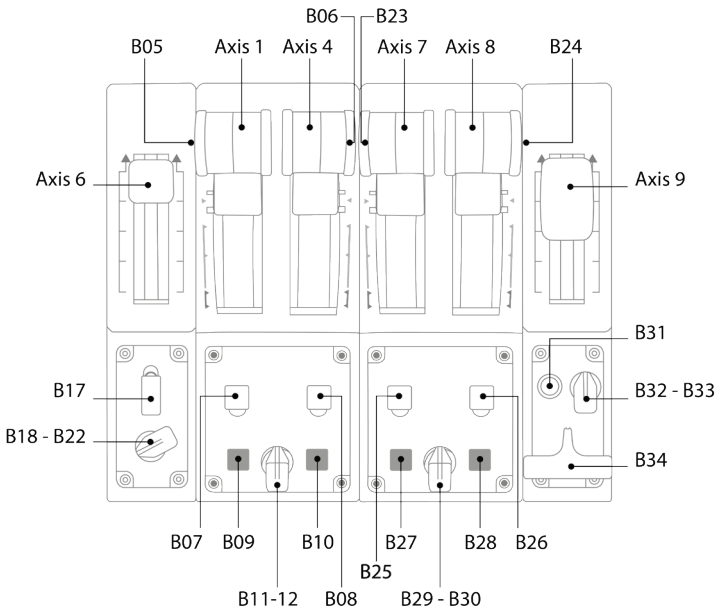
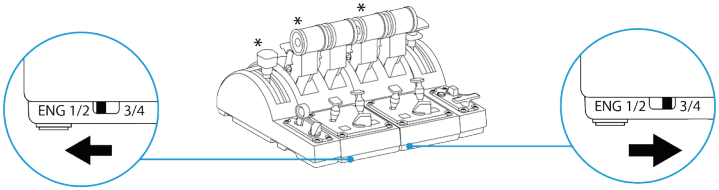
* Myydään erikseen

MÄÄRITYKSET – TCA SIDESTICK X AIRBUS EDITIONIIN YHDISTETYT TCA QUADRANT AIRBUS EDITION* JA TCA QUADRANT ADD-ON AIRBUS EDITION*

XBOX-MÄÄRITYKSET

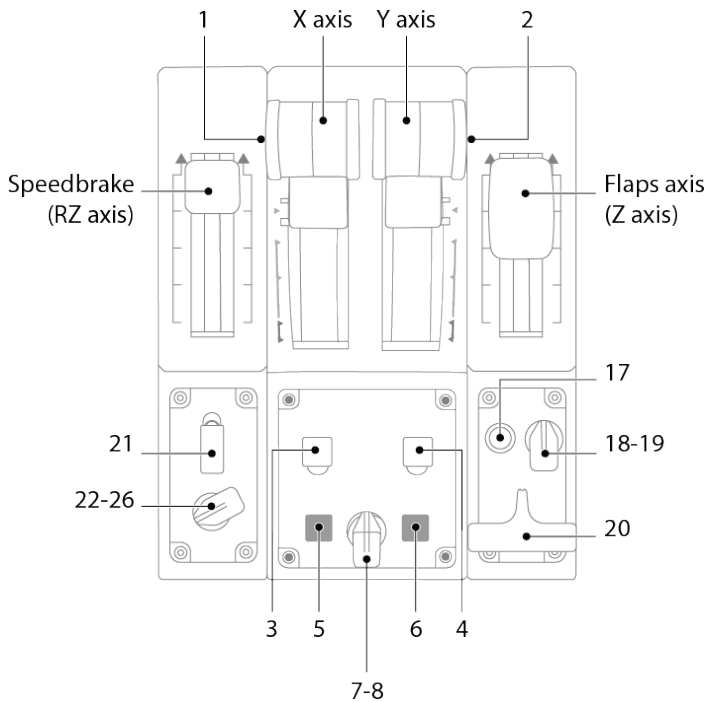
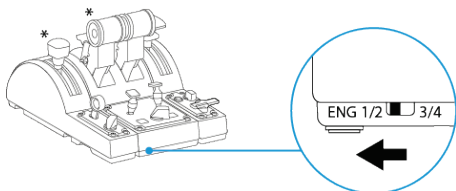


* Myydään erikseen



* Myydään erikseen

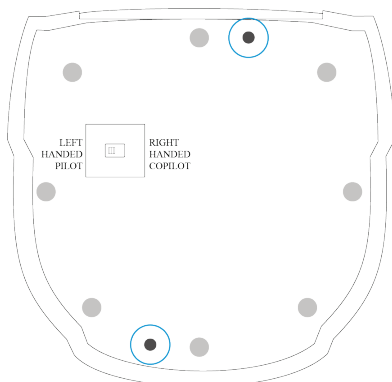
PC-MÄÄRITYKSET



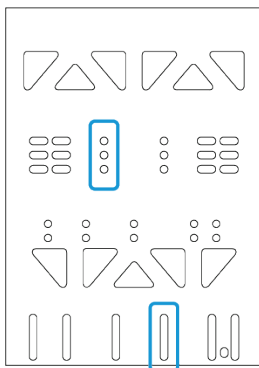
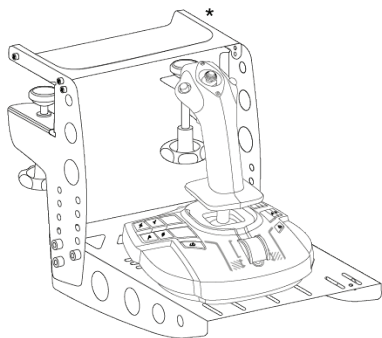
* Myydään erikseen

TCA SIDESTICK X AIRBUS EDITIONIN KIINNITTÄMINEN TM FLYING CLAMPIIN*, OHJAAMOON TAI MUUHUN KIINTEÄÄN TUKEEN

Voit käyttää kahta TCA Sidestick X Airbus Editionin alapuolelta löytyvää reikää kiinnittääksesi sauvaohjaimen kiinteään tukeen M6-ruuveilla (ei mukana).



TCA SIDESTICK X AIRBUS EDITIONIN KIINNITTÄMINEN TM FLYING CLAMPIIN*:



* Myydään erikseen

TCA SIDESTICK X AIRBUS EDITION - LAITEOHJELMISTON PÄIVITYS

Sauvaohjaimen mukana tuleva laiteohjelmisto voidaan päivittää uudempaan versioon tuotteen parannusten hyödyntämiseksi.

Näytä sauvaohjaimen laiteohjelmiston versio ja päivitä se tarpeen vaatiessa: Mene tietokoneella osoitteeseen <https://support.thrustmaster.com>. Napsauta **Joysticks / TCA Sidestick X Airbus Edition / Firmware** ja seuraa sitten lataus- ja asennusohjeita.



Ainoita tuettuja laitteita ovat TCA Quadrant Airbus Edition* -tehovipujärjestelmä yhdessä TCA Quadrant Add-On Airbus Edition* -moduulien sekä TPR*- ja TFRP*-sivuperäsinjärjestelmien kanssa.

Olet nyt pelivalmis!

** Myydään erikseen*

EDISTYNYT T.A.R.G.E.T.-OHJELMOINTISOVELLUS (Thrustmaster Advanced pRogramming Graphical EdiTor)

T.A.R.G.E.T (Thrustmaster Advanced pRogramming Graphical EdiTor) on innovatiivinen ja huipputehokas ohjelmistopaketti, joka mahdollistaa parannuksien tekemisen useimmille Thrustmasterin lento-ohjaimille ja profiilien jakamisen Thrustmaster-yhteisön kanssa.

T.A.R.G.E.T-OHJELMISTON LATAAMINEN

Mene osoitteeseen <https://support.thrustmaster.com>. Napsauta **Joysticks / TCA Sidestick X Airbus Edition** ja valitse sitten **Software**. Lataa ja asenna edistynyt T.A.R.G.E.T-ohjelmointisovellus.

T.A.R.G.E.T – PÄÄOMINAISUUDET:

- Eri akselimäärytyksiä.
- Eri ohjelmointitasoja: Basic, Advanced ja Script.
- Käyttää Drag & Drop -periaatetta.
- Kyky yhdistää TCA Sidestick X Airbus Edition eri Thrustmaster-ohjaimiin (Hotas Cougar*, Hotas Warthog*, T.16000M* ja MFD Cougar Pack*, joista kaikki ovat myös T.A.R.G.E.T-yhteensopivia), mikä sallii niiden tunnistamisen yhtenä USB-laitteena.
- Pääsy Thrustmaster-yhteisön luomiin edistyneisiin profiileihin.



* Myydään erikseen

TÄRKEÄT HUOMAUTUKSET

Jätä sauvaohjainta yhdistäessäsi sauva ja sivuperäsin aina keskelle ja vältä liikuttamasta niitä välttääksesi mahdolliset kalibrointiongelmat.

ONGELMANRATKAISU JA VAROITUKSET

Sauvaohjain ei toimi oikein tai se vaikuttaa väärin kalibroidulta.

- Varmista, että valintakytkin (**14**) on oikeassa asennossa (Xbox tai PC), ennen kuin yhdistät USB-kaapelin konsoliin tai PC-tietokoneeseen.
- Sammuta konsoli tai PC, irrota sauvaohjain, yhdistä se takaisin ja käynnistä sitten peli uudelleen.
- Jätä sauvaohjainta yhdistäessäsi sauva ja sivuperäsin keskelle ja vältä liikuttamasta niitä välttääksesi mahdolliset kalibrointiongelmat.

En voi säätää sauvaohjainta.

- Mene pelissä valikkoon **Options / Controller / Gamepad** tai **Joystick** ja valitse sopiva asetus tai määritä ohjaimen asetukset täysin uusiksi.
- Lisää tietoa löytyy pelin käyttöohjeesta tai verkon apusivustolta.

Sauvaohjain on liian herkkä tai ei ole tarpeeksi herkkä.

- TCA Sidestick X Airbus Edition kalibroi itsensä automaattisesti, kun olet tehnyt muutaman liikkeen eri akseleilla.
- Mene pelissä valikkoon **Options / Controller / Gamepad** tai **Joystick** ja säädä ohjaimen herkkyyttä ja kuolleita alueita (jos nämä asetukset ovat saatavilla).

TCA Sidestick X Airbus Editionin mikrofoniliitin ei toimi oikein.

- TCA Sidestick X Airbus Edition sisältää USB-äänilaitteen. Kun USB-äänilaitte yhdistetään Windowsiin ensimmäistä kertaa, kaikkien mikrofonien äänenvoimakkuuden oletustasoksi asetetaan nolla.
- Ratkaise ongelma avaamalla Windowsin ääniasetukset TCA Sidestick X Airbus Editionin mikrofoniliittimelle ja asettamalla äänentasoksi 100 %.

Yhdistetyt laitteet eivät toimi PC-tietokoneella oikein.

- Asenna PC-ajuri. Mene osoitteeseen <https://support.thrustmaster.com>. Napsauta **Joysticks / TCA Sidestick X Airbus Edition** ja valitse **Drivers**. Lataa ja asenna PC-ajuri sekä sen erillinen käyttöliittymä Windowsin ohjauspaneelia varten.



Tämä laite on tarkoitettu vain peliviihdekäyttöön. Tätä laitetta ei missään tapauksessa saa käyttää ammattimaisessa koulutusikäytössä.

Kuluttajan takuutiedot

Maailmanlaajuinen, Guillemot Corporation S.A., jonka rekisteröity toimisto sijaitsee osoitteessa Place du Granier, B.P. 97143, 35571 Chantepie, France (tästä eteenpäin "Guillemot"), takaa asiakkaalle, että tämä Thrustmaster-tuote on materiaaleista ja työn laadusta johtuvista vioista vapaa takuujan verran. Kaikki toimet sen noudattamiseksi on nostettava tämän aikarajan sisällä. Euroopan Union jäsenvaltioissa se vastaa kahta (2) vuotta Thrustmaster-tuotteen toimituksesta. Muissa maissa takuu aika vastaa Thrustmaster-tuotteen noudattamisvaatimusten aikarajaa sen maan asiaankuuluvien lakien mukaisesti, jonka asukas kuluttaja oli Thrustmaster-tuotteen ostopäivänä (mikäli kyseisessä maassa ei ole tällaisia vaatimuksia, takuujan kesto on yksi (1) vuosi Thrustmaster-tuotteen ostopäivästä).

Yllä olevasta huolimatta ladattavilla akuilla on kuuden (6) kuukauden takuu ostopäivästä lähtien.

Mikäli tuote vaikuttaa takuujan aikana vialliselta, ota välittömästi yhteyttä tekniseen tukeen, joka kertoo noudettavista toimenpiteistä. Jos vika vahvistetaan, tuote täytyy palauttaa sen ostopaikkaan (tai muuhun teknisen tuen osoittamaan paikkaan).

Tämän takuun puitteissa kuluttajan viallinen tuote joko korvataan uudella tai palautetaan toimintakuntoon teknisen tuen valinnan mukaan. Jos takuujan aikana Thrustmaster-tuotteelle tehdään korjaustoimia, mikä tahansa vähintään seitsemän (7) päivää kestänyt jakso, jolloin tuote ei ole käytettävissä, lisätään se jäljellä olevaan takuuajkaan (tämä jakso alkaa siitä päivästä, kun asiakas pyytää tukitoimia tai kun kyseessä oleva tuote luovutetaan korjattavaksi, mikäli korjaukseen luovuttamisen päivämäärä on myöhäisempi kuin tukitoimipyynnön). Mikäli asiaankuuluva laki sen sallii, Guillemotin ja sen tytäryhtiöiden täysi vastuuvollisuus (mukaan lukien välilliset vahingot) rajoittuvat Thrustmaster-tuotteen toiminnan palauttamiseen tai sen korvaamiseen uudella. Mikäli asiaankuuluva laki sen sallii, Guillemot kiistää kaikki takuu tuotteen myytävyydestä tai sopivuudesta tiettyyn tarkoitukseen.

Tämä takuu ei ole voimassa: (1) mikäli tuotetta on muokattu, avattu, muunneltu tai se on kärsinyt vahinkoa epäasiallisen tai huonon käytön, huolimattomuuden, onnettomuuden, tavallisen kulumisen tai minkä tahansa muun syyn johdosta, joka ei liity materiaali- tai valmistusvirheisiin (mukaan lukien, mutta rajoittumatta, Thrustmaster-tuotteen yhdistäminen epäsoivan osan kanssa, erityisesti virtalähteet, ladattavat akut, laturit tai muut tuotteet, joita Guillemot ei ole toimittanut tälle tuotteelle); (2) mikäli tuotetta on käytetty missä tahansa muussa kuin kotikäytössä, mukaan lukien ammattimaisessa tai kaupallisessa käytössä (esim. pelihuoneet, koulutus ja kilpailut); (3) mikäli vian ilmetessä teknisen tuen ohjeita ei ole noudatettu; (4) ohjelmistojen kohdalla, kyseisellä ohjelmistolla on erillinen takuu; (5) käyttöesineiden kohdalla (tuotteen eliniän aikana vaihdettavat osat: esim. kertakäyttöiset paristot, kuulokkeet tai kuuloketyyny); (6) lisälaiteiden kohdalla (esim. kaapelit, kotelot, pussit, laukut ja rannekkeet); (7) mikäli tuote myytiin julkisessa huutokaupassa.

Tätä takuuta ei voi siirtää.

Tämä takuu ei vaikuta kuluttajan laillisiin oikeuksiin hänen maassaan, mitä tulee kuluttajatuotteiden myyntiin.

Ylimääräiset takuehdot

Takuuajan aikana Guillemot ei lähtökohtaisesti tarjoa varaosia, sillä tekninen tuki on ainoa osapuoli, joka on valtuutettu avaamaan ja/tai korjaamaan Thrustmaster-tuotteita (pois lukien sellaiset korjaustoimet, joita tekninen tuki saattaa pyytää kuluttajaa tekemään kirjallisten ohjeiden kautta – esimerkiksi korjaustoimen yksinkertaisuuden ja salassapitotarpeiden puuttumisen vuoksi – ja toimittamalla kuluttajalla vaadittavat varaosat, jos ne ovat tarpeellisia).

Innovaatiosykleistä johtuen ja suojellakseen tietotaitoaan sekä liikesalaisuuksiaan Guillemot ei lähtökohtaisesti tarjoa mitään uudelleenkäsitteilyilmoituksia tai varaosia Thrustmaster-tuotteille, joiden takuu aika on umpeutunut.

Vastuuvollisuus

Mikäli asiaankuuluva laki sen sallii, Guillemot Corporation S.A. (tästä eteenpäin "Guillemot") ja sen tytäryhtiöt kiistävät vastuunsa kaikista vahingoista, jotka johtuvat yhdestä tai useammasta seuraavasta: (1) tuotetta on muokattu, avattu tai muunneltu; (2) kokoamisohjeita ei ole noudatettu; (3) epäasiallisen tai huonon käytön, huolimattomuuden tai onnettomuuden (esim. isku) johdosta; (4) tavallisen kulumisen johdosta; (5) tuotetta on käytetty missä tahansa muussa kuin kotikäytössä, mukaan lukien ammattimaisessa tai kaupallisessa käytössä (esim. pelihuoneet, koulutus ja kilpailut). Mikäli asiaankuuluva laki sen sallii, Guillemot ja sen tytäryhtiöt kiistävät vastuunsa kaikista vahingoista, jotka eivät liity tuotteen materiaali- tai valmistusvirheisiin (mukaan lukien, mutta rajoittumatta, ohjelmiston suoraan tai epäsuoraan aiheuttamat vahingot, tai yhdistämällä Thrustmaster-tuote minkä tahansa epäsojivan osan kanssa, mukaan lukien tietyt virtalähteet, ladattavat akut, laturit tai muut osat, joita Guillemot ei ole toimittanut tälle tuotteelle).

THRUSTMASTER®

TEKNINEN TUKI

<https://support.thrustmaster.com>



TEKIJÄNOIKEUS

© 2022 Guillemot Corporation S.A. Kaikki oikeudet pidätetään. Thrustmaster® on Guillemot Corporation S.A. -yhtiön rekisteröity tavaramerkki. Guillemot Corporation S.A. -yhtiön valmistama ja jakelema. AIRBUS, sen logo sekä tavara- että palvelumerkit ovat Airbusin rekisteröityjä tavaramerkkejä. Kaikki oikeudet pidätetään. © Airbus 2022. Kaikki oikeudet pidätetään. Airbusin virallisesti lisensoima. Microsoft, Xbox, Xbox "Sphere" -malli, Xbox Series X|S, Xbox One ja Windows 10/11 ovat Microsoft-konsernin yhtiöiden tavaramerkkejä.

Kaikki muut tavaramerkit ja tuotenimet ovat täten tunnustettuja ja haltijoidensa omaisuutta. Sisältö, mallit ja tavaraselosteet voivat muuttua ilman erillistä ilmoitusta ja vaihdella maasta toiseen. Valokuvat ja kuvitukset eivät ole sitovia. Suunniteltu Pohjois-Amerikassa ja Euroopassa, valmistettu Kiinassa.

YMPÄRISTÖNSUOJELUSUOSITUS



* Euroopan unionissa, Iso-Britanniassa ja Turkissa: Käyttöikänsä päätyttyä tätä tuotetta ei pidä laittaa kodin sekajätteeseen, vaan se tulee viedä sähkö- ja elektroniikkalaiteromun (SER/WEEE) keräyspisteeseen kierrätettäväksi.

Tämä vahvistetaan tuotteesta, käyttöohjeesta sekä pakkauksesta löytyvällä symbolilla.

Ominaisuuksistaan riippuen materiaalit voidaan kierrättää. Voit kierrätyksen ja muun sähkö- ja elektroniikkaromun käsittelyn avulla auttaa merkittävästi ympäristön suojelussa.

Ota yhteyttä paikallisiin viranomaisiin saadaksesi tietoa lähimmästä keräyspisteestä.

Muissa maissa: Noudata paikallisia sähkö- ja elektroniikkaromun kierrätyslakeja.

Pidä nämä tiedot tallessa. Värit ja koristeet voivat vaihdella.

Muoviset kiinnittimet ja tarrat tulee poistaa ennen tuotteen käyttöä.

www.thrustmaster.com

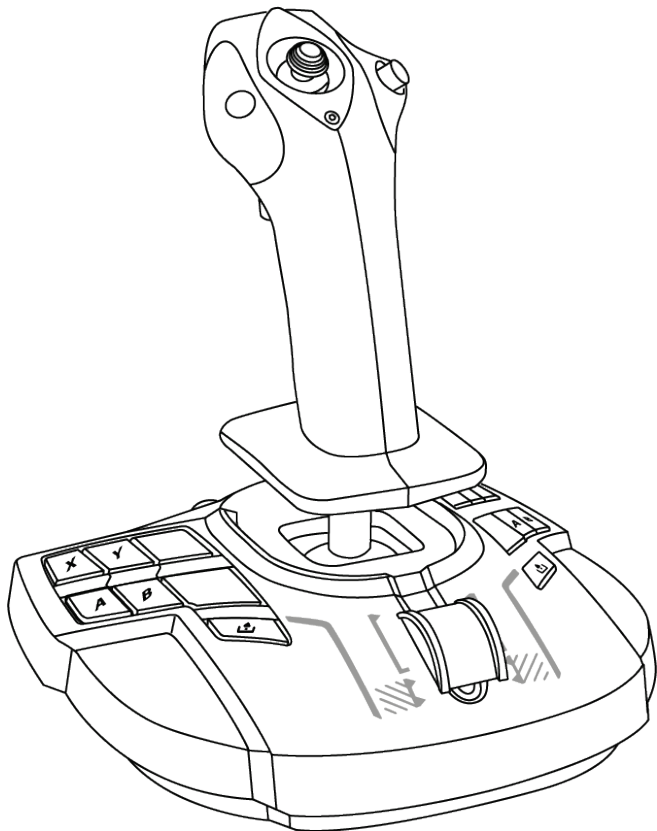
* Voimassa vain EU:ssa, Iso-Britanniassa ja Turkissa



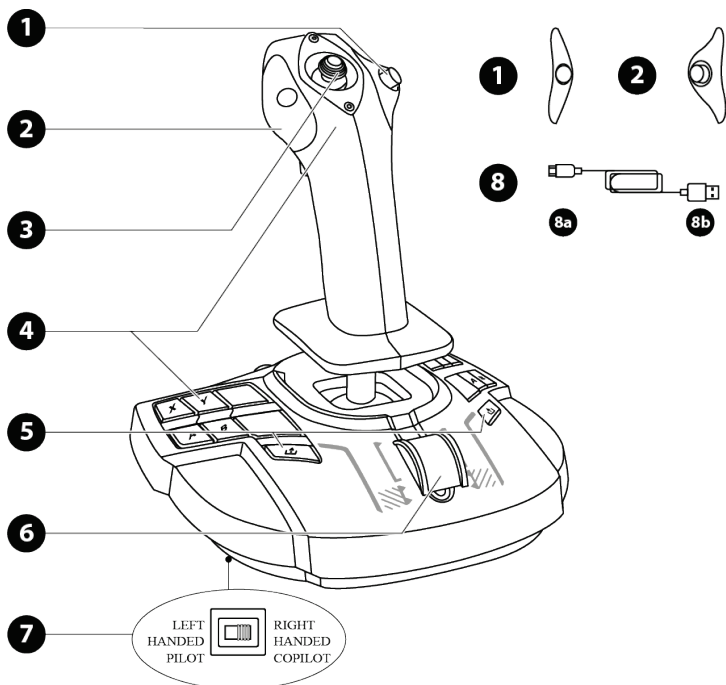
TCA SIDESTICK X **AIRBUS EDITION**

XBOX SERIES X|S – XBOX ONE – PC

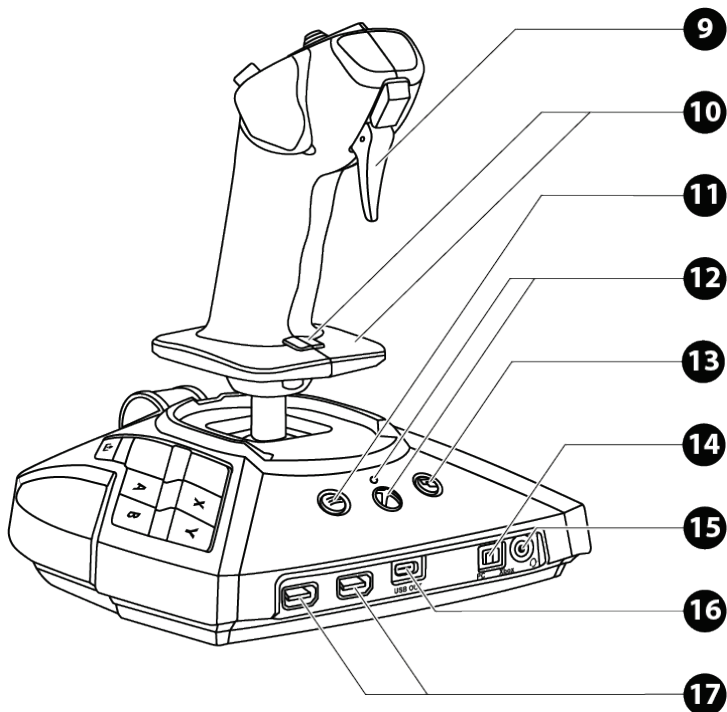
Používateľská príručka



TECHNICKÉ VLASTNOSTI



1. Moduly pravého tlačidla
2. Moduly ľavého tlačidla
3. Viacsmerový prepínač „Point of View“
4. 21 akčných tlačidiel na Xboxe, 22 akčných tlačidiel na PC
5. Tlačidlá zdieľania (Xbox)
6. Plynová páka + jedno virtuálne tlačidlo (iba na PC)
7. Prepínač: LEFT HANDED — PILOT (ľavák – pilot) / RIGHT HANDED — COPILOT (pravák – druhý pilot)
8. Kábel USB-C (8a) — USB-A (8b).



- 9. Digitálna spúšť
- 10. Ovládanie kormidla pomocou otočnej rukoväte s opierkou ruky + blokovacie tlačidlo
- 11. Tlačidlo ponuky (Xbox)
- 12. Tlačidlo Xbox + LED
- 13. Tlačidlo Zobrazit' (Xbox)
- 14. Prepínač Xbox / PC
- 15. 3,5 mm mini-jack konektor mikrofónu pre herné slúchadlá*
- 16. USB port typu C
- 17. USB porty typu A pre TCA Quadrant Airbus Edition* alebo kormidlo TPR*

*predávané samostatne

SPOZNAJTE SVOJ JOYSTICK

EXKLUZÍVNA PRESNÁ TECHNOLOGIA H.E.A.R.T: Halleffect AccuRate Technology

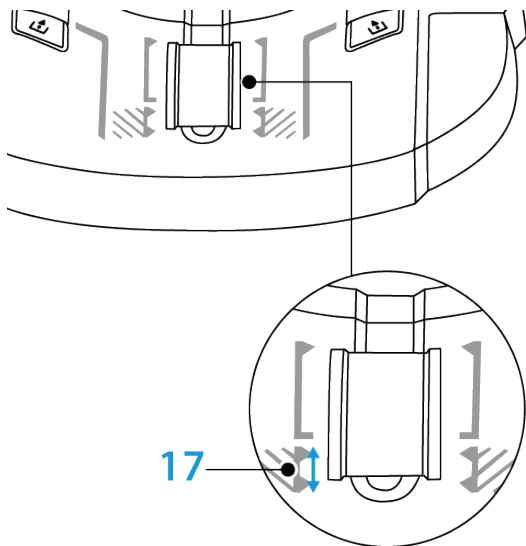
Váš joystick TCA Sidestick X Airbus Edition je vybavený vysoko presnou technológiou s:

- 3D (Hallow efekt) magnetickými snímačmi na páke;
- magnetom: žiadne trenie, pre neobmedzenú presnosť a neuveriteľnú odozvu, ktorá vydrží;
- vinutá pružina na páke (2,8 mm): pre pevné, lineárne a ultra plynulé napätie.

PLYNOVÁ PÁKA

Váš joystick je vybavený plynovou pákou **(6)**, ktorú môžete použiť na jednoduché ovládanie ťahu motora vášho lietadla.

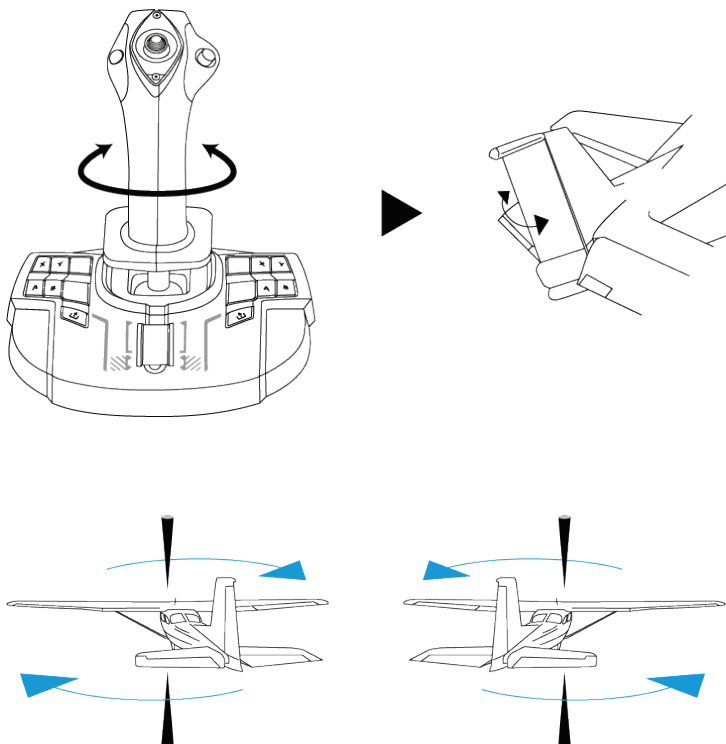
Virtuálne tlačidlo, dostupné iba na PC (číslo 17 v mapovaní PC), sa aktivuje na prvých 20 percentách pohybu plynovej páky, aby sa aktivovali reverzory ťahu motorov.



FUNKCIA KORMIDLA

Váš joystick má funkciu kormidla **(10)**. V lietadle pilot manipuluje s kormidlom tak, aby otáčal lietadlo okolo jeho vertikálnej osi (lietadlo sa otáča doľava alebo doprava).

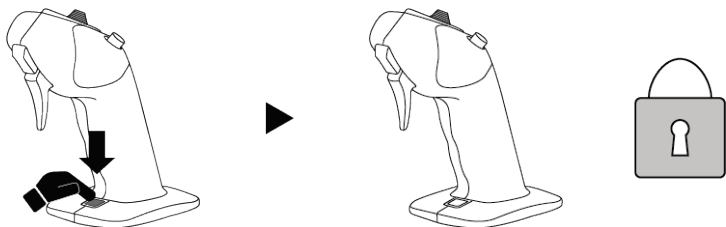
Táto funkcia kormidla je dostupná na vašom joysticku otáčaním (t.j. krútením) páky doľava alebo doprava.



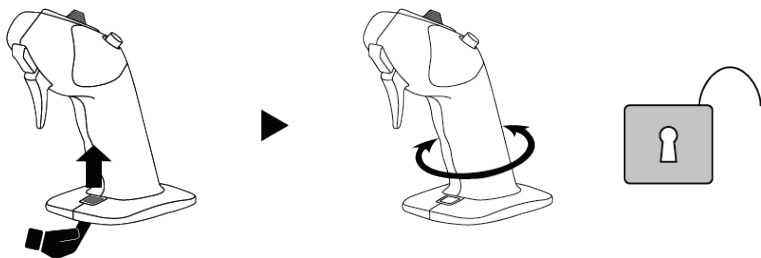
ZAMKNUTIE/ODOMKNUTIE FUNKCIE KORMIDLA

Funkciu kormidla je možné deaktivovať pomocou uzamykacieho tlačidla na zadnej strane rukoväte joysticku.

Stlačte toto tlačidlo, aby ste zablokovali os kormidla.



Vráťte toto tlačidlo do hornej polohy, aby ste odblokovali os kormidla.



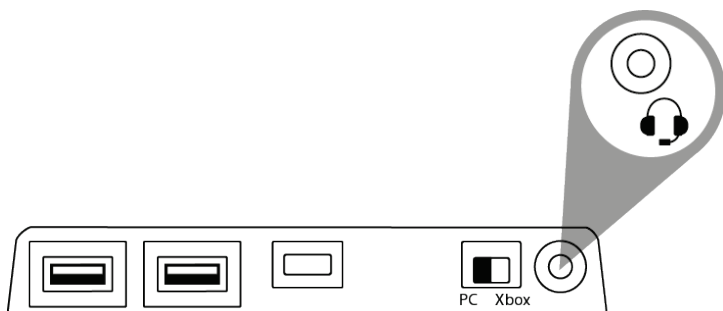
VIACSMEROVÝ KLOBÚKOVÝ PREPÍNAČ „POINT OF VIEW“.

Váš joystick obsahuje klobúkový prepínač „Point of View“ (**3**), ktorý vám umožňuje okamžite sledovať všetko, čo sa deje okolo vášho lietadla (v hrách, kde je táto funkcia povolená). Ak chcete použiť túto funkciu, jednoducho prejdite do ponuky nastavenia hry a naprogramujte rôzne pohľady (pohľad zozadu, pohľad vľavo, pohľad vpravo, vonkajšie pohľady) do smerov prepínača „Point of View“.

Ak si želáte, môžete si tiež ponechať prepínač „Point of View“ na iné použitie (strieľanie atď.).

KONEKTOR MIKROFÓNU PRE HERNÉ HEADSETY

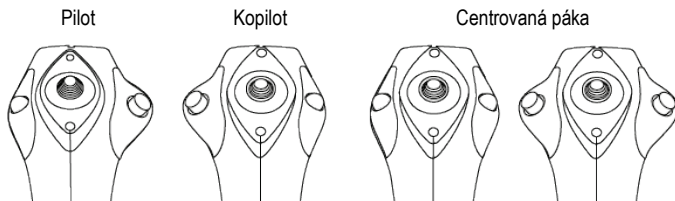
Váš joystick je vybavený 3,5 mm mini-jack konektorom pre mikrofón (**15**), ktorý umožňuje použitie herných slúchadiel so vstavaným mikrofónom pre ešte pohlcujúcejší zážitok.



OBOJRUČNÝ SYSTÉM A NASTAVENIE MODULOV

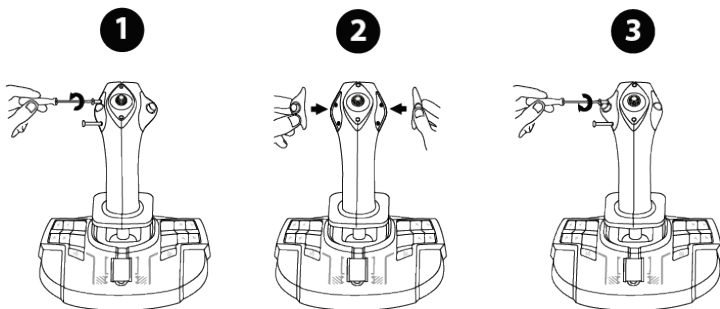
Váš joystick TCA Sidestick X Airbus Edition má tú výhodu, že je obojručný, čo mu umožňuje dokonale sa prispôsobiť všetkým hráčom, či už sú praváci alebo ľaváci.

Štandardne je joystick nakonfigurovaný v pilotnom režime. Sú možné štyri konfigurácie:



Ak chcete upraviť konfiguráciu vášho joysticku:

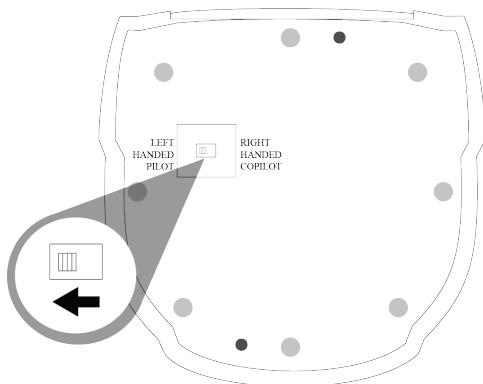
1. Pomocou malého skrutkovača opatrne odskrutkujte a odstráňte dve skrutky pre každý modul tlačidla.
2. Zmeňte moduly podľa vašej preferovanej konfigurácie.
3. Vložte skrutky späť a úplne ich utiahnite.



KONFIGURÁCIA PÁKY V REŽIME PRE ĽAVÚ RUKÚ (PILOT)

Aby ste určili, že joystick je v režime ĽAVÁ RUKA (PILOT), pred pripojením joysticku nastavte prepínač (7) umiestnený pod základňou joysticku do polohy LEFT HANDED — PILOT.

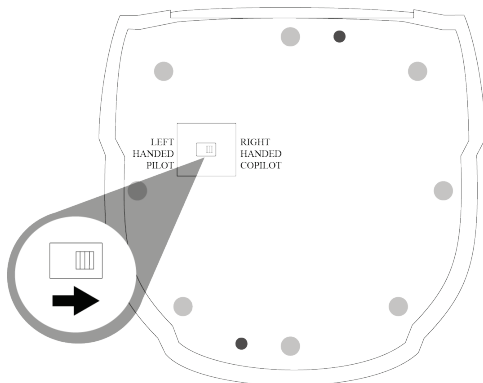
Váš produkt bude potom rozpoznávaný ako TCA Sidestick X Pilot.



KONFIGURÁCIA PÁKY V REŽIME PRE PRAVÚ RUKÚ (KOPILOT)

Aby ste určili, že joystick je v režime PRAVÁ RUKA (KOPILOT), pred pripojením joysticku nastavte prepínač (7) umiestnený pod základňou joysticku do polohy RIGHT HANDED — COPILOT.

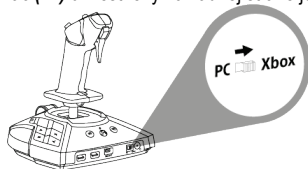
Váš produkt bude potom rozpoznávaný ako TCA Sidestick X Copilot.



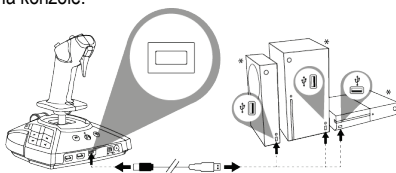
XBOX SERIES X|S / XBOX ONE

INŠTALÁCIA NA XBOX SERIES X|S* / XBOX ONE*

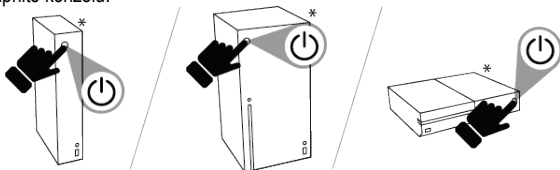
1. Nastavte prepínač **(14)** umiestnený na zadnej strane joysticku do polohy Xbox.



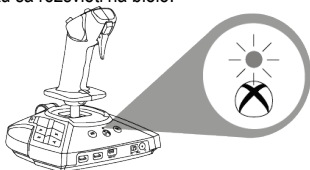
2. Pripojte kábel USB-C – USB-A **(8)** k portu USB typu C **(16)** na joysticku a k portu USB typu A na konzole.



3. Zapnite konzolu.



4. LED dióda joysticku sa rozsvieti na bielo.



5. Spustíte kompatibilnú hru podporujúcu režim Flight Stick.

Teraz môžete hrať!

**predávané samostatne*

ZOZNAM KOMPATIBILNÝCH HIER NA XBOX SERIES X|S / XBOX ONE

Na Xbox Series X|S* / Xbox One*, TCA Sidestick X Airbus Edition:

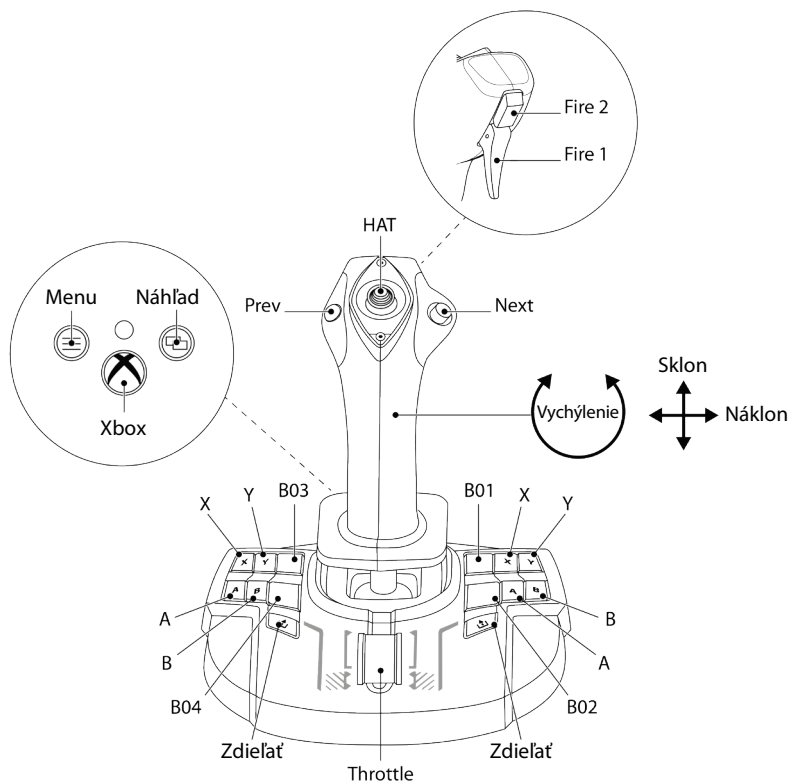
- je kompatibilný iba s hrami, ktoré podporujú režim Flight Stick.
- je v hrách rozpoznávaný ako joystick a nie ako gamepad, pre maximálnu odozvu a presnosť, ako aj pre prístup k možnostiam joysticku dostupným v týchto hrách.

Zoznam hier na Xbox Series X|S / Xbox One kompatibilných s joystickom je k dispozícii na <https://support.thrustmaster.com> v sekcii **Joysticks (Joysticky) / TCA Sidestick X Airbus Edition**.

Tento zoznam sa bude pravidelne dopĺňať s príchodom nových hier na Xbox Series X|S / Xbox One kompatibilných s TCA Sidestick X Airbus Edition.

**predávané samostatne*

MAPOVANIE PRE XBOX



PRIPOJENIE NA TCA SIDESTICK X AIRBUS EDITION XBOX SERIES X|S* / XBOX ONE*

TCA Sidestick X Airbus Edition má štyri osi, ale umožňuje vám pripojiť systém plynovej páky TCA Quadrant Airbus Edition*, moduly TCA Quadrant Add-On Airbus Edition* a systém kormidla TPR* priamo na zadnej strane joysticku.

Len na Xbox Series X|S* / Xbox One* je možné k TCA Quadrant Airbus Edition* pripojiť druhý systém plynovej páky, ktorý umožňuje joysticku spravovať až deväť ďalších osí.

Na Xbox Series X|S* / Xbox One* kompatibilné zariadenia Thrustmaster pripojené cez USB port typu A budú zlúčené s TCA Sidestick X Airbus Edition.



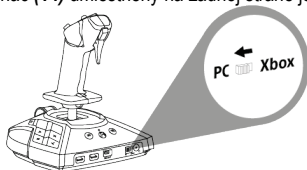
Jediné zariadenia podporované na Xbox Series X|S* / Xbox One* sú TCA Quadrant Airbus Edition*, TCA Quadrant Add-On Airbus Edition* a kormidlové systémy TPR* a TFRP*.

** predávané samostatne*

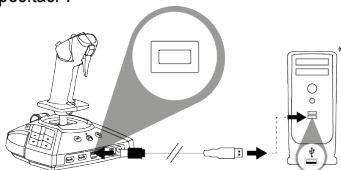
PC

INŠTALÁCIA NA PC*

1. Prejdite na stránku <https://support.thrustmaster.com>. Kliknite na **Joysticks (Joysticky) / TCA Sidestick X Airbus Edition** a vyberte **Drivers (Ovládače)**. Stiahnite a nainštalujte PC ovládač a jeho prispôbené rozhranie pre Ovládací Panel Windows.
2. Nastavte prepínač **(14)** umiestnený na zadnej strane joysticku do polohy PC.



3. Pripojte kábel USB-C — USB-A **(8)** k portu USB typu C **(16)** na joysticku a k portu USB typu A na počítači*.



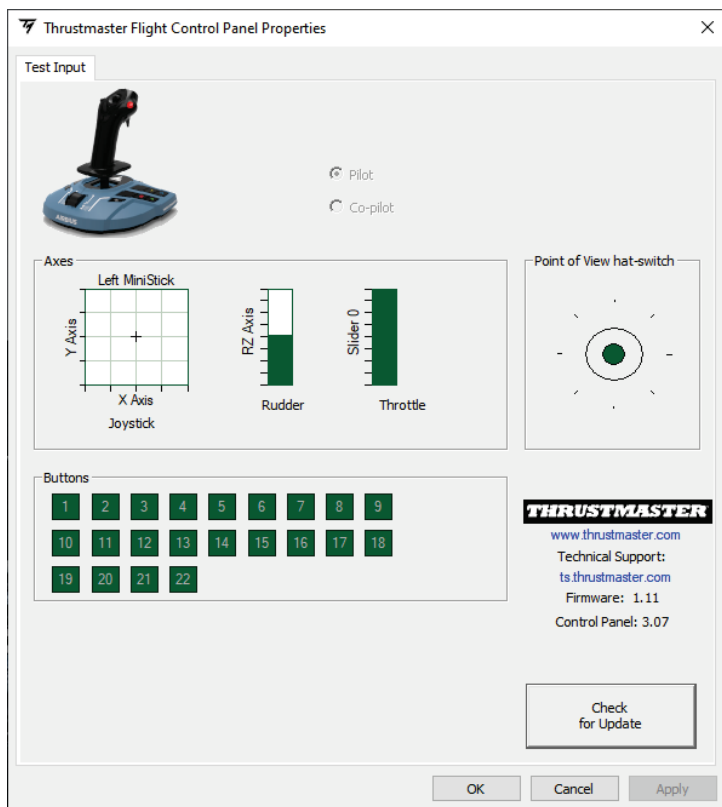
4. Spustite kompatibilnú hru podporujúcu letové periférie HID.

Teraz môžete hrať!

* *predávané samostatne*

PRISPÔSOBENÉ ROZHRIANIE

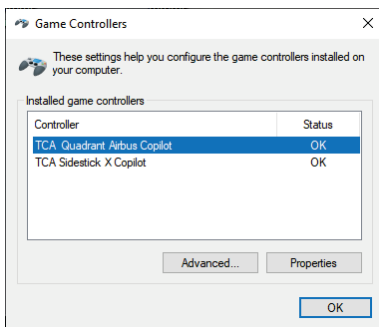
1. Pre prístup k prispôsobenému rozhraniu ovládacieho panela vyberte **Start (Štart) / Apps (Aplikácie) / Thrustmaster / Control Panel (Ovládací panel)** (vo Windows® 10/11).
Zobrazí sa dialógové okno **Game Controllers (Herné ovládače)**. Zariadenie sa zobrazí na obrazovke s názvom **TCA Sidestick X** a stavom **OK**.
2. V dialógovom okne **Herné ovládače** kliknite na **Properties (Vlastnosti)**, aby ste otestovali a zobrazili všetky funkcie.



PRIPOJENIE TCA SIDESTICK X AIRBUS EDITION NA PC*

TCA Sidestick X Airbus Edition má štyri osi, ale umožňuje vám pripojiť systém plynovej páky TCA Quadrant Airbus Edition*, moduly TCA Quadrant Add-On Airbus Edition* a systém kormidla TPR* priamo na zadnej strane joysticku.

Keď sú TCA Quadrant Airbus Edition* a kormidlový systém TPR* alebo kormidlový systém TFRP* prepojené, objavia sa nezávisle v dialógovom okne **Herné ovládače** ako virtuálne zariadenia:

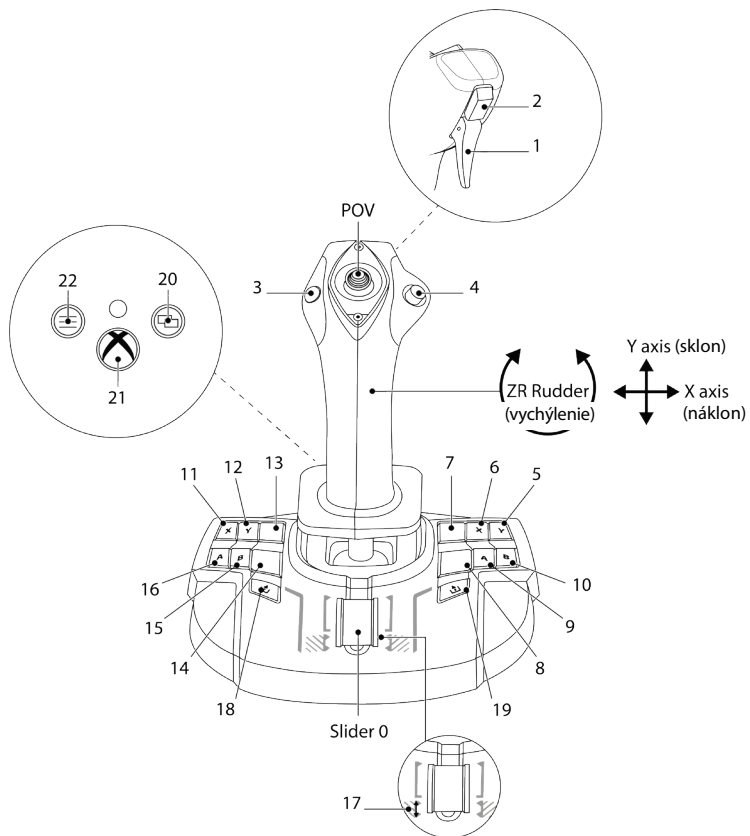


Pripojenie systému kormidla TPR* alebo systému kormidla TFRP*:

- Aby zariadenia fungovali správne, musí byť nainštalovaný ovládač.
- Ak je systém kormidla pripojený k joysticku alebo k systému plynovej páky pripojenej k joysticku, tri osi systému kormidla sa zlúčia s virtuálnym kvadrantom (TCA Quadrant Airbus Copilot).

*predávané samostatne

PC MAPOVANIE



INŠTALÁCIA TCA SIDESTICK X AIRBUS EDITION V KOMBINÁCII S TCA QUADRANT AIRBUS EDITION* A SYSTÉMOM KORMIDIEL TPR* A TFRP*

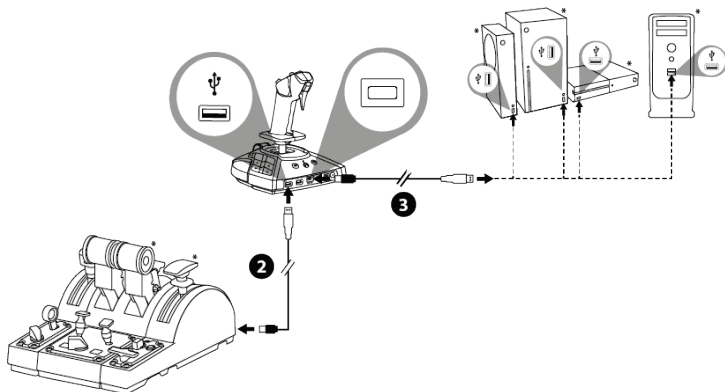
PLYNOVÁ PÁKA A PRÍDAVNÉ MODULY

TCA Quadrant Airbus Edition* spojený s TCA Quadrant Add-On Airbus Edition* modulmi sa pripája k joysticku.

1. Nastavte prepínač **(14)** umiestnený na zadnej strane joysticku do polohy Xbox alebo PC.



2. Pripojte kábel USB-C — USB-A **(8)** k portu USB typu C na plynovej páke a k portu USB typu A **(17)**, ktorý sa nachádza na zadnej strane joysticku.
3. Pripojte druhý kábel USB-C — USB-A **(8)** k portu USB typu C **(16)** na joysticku a k portu USB typu A na konzole alebo PC.



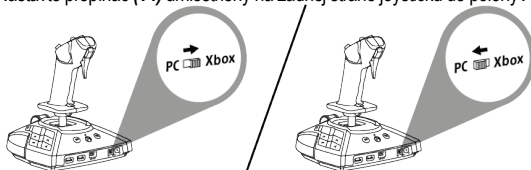
*predávané samostatne

SYSTÉM KORMIDLA

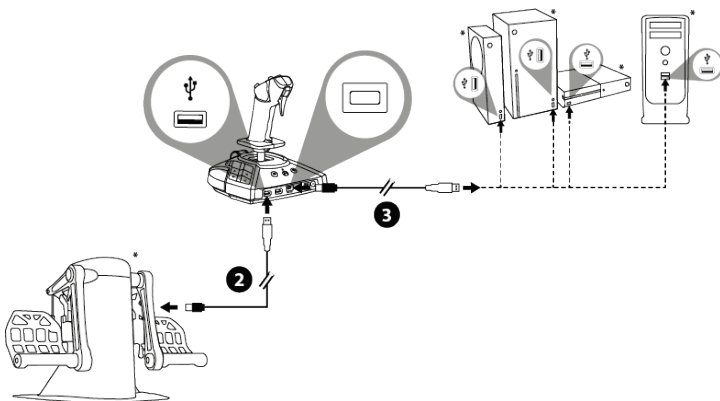
Pre kormidlové systémy TPR* a TFRP* sú vyhradené tri osi.

Systém kormidla **TPR*** sa pripája k joysticku.

1. Nastavte prepínač **(14)** umiestnený na zadnej strane joysticku do polohy Xbox alebo PC.



2. Pripojte kábel USB-A – USB-B systému kormidla k portu USB typu B na systéme kormidla a k portu USB typu A **(17)** umiestnenému na zadnej strane joysticku.
3. Pripojte kábel USB-C – USB-A **(8)** k portu USB typu C **(16)** na joysticku a k portu USB typu A na konzole alebo PC.



Na Xbox Series X|S* / Xbox One* nie je možné pripojiť systém kormidla TPR*, keď sú k TCA Sidestick X Airbus Edition už pripojené dva systémy plynovej páky TCA Quadrant Airbus Edition*.

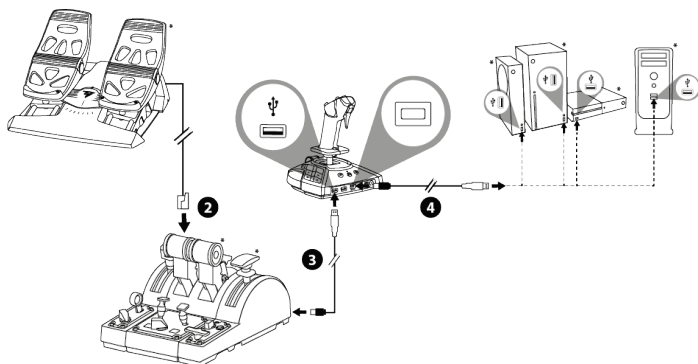
*predávané samostatne

Systém kormidla **TFRP*** sa pripája k systému plynovej páky, keď používate TCA Quadrant Airbus Edition*.

1. Nastavte prepínač **(14)** umiestnený na zadnej strane joysticku do polohy Xbox alebo PC.



2. Pripojte konektor systému kormidla RJ12 k portu RJ12 umiestnenému na zadnej strane systému plynovej páky TCA Quadrant Airbus Edition*.
3. Pripojte kábel USB-C — USB-A **(8)** k portu USB typu C na systéme plynovej páky a k portu USB typu A **(17)**, ktorý sa nachádza na zadnej strane joysticku.
4. Pripojte druhý kábel USB-C — USB-A **(8)** k portu USB typu C **(16)** na joysticku a port USB typu A na konzole alebo PC.



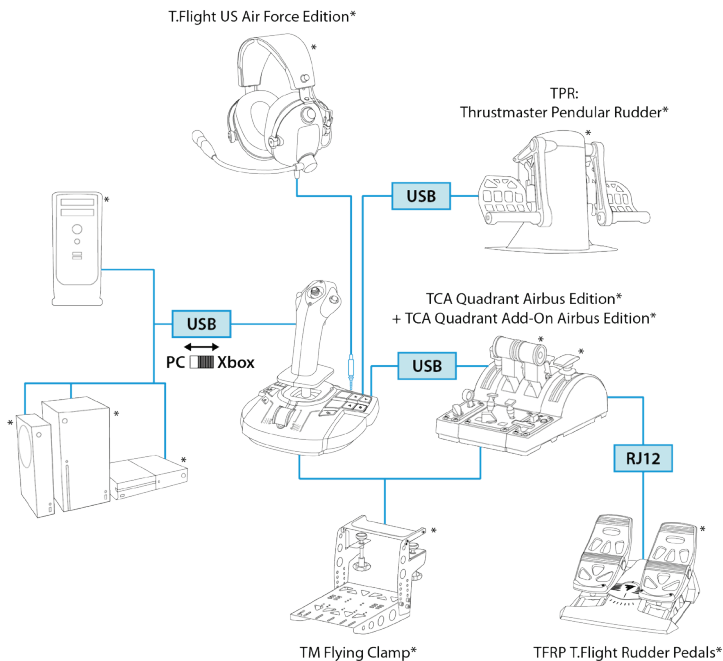
Automatická kalibrácia osí:

- Pri pripájaní systému kormidla k joysticku alebo systému plynovej páky vždy ponechajte os kormidla vycentrované. Nedávajte nohy na kormidlo.
- Tri osi pedálov sa automaticky kalibrujú po niekoľkých pohyboch a po dosiahnutí fyzických záračok pre os kormidla a dve osi diferenciálnej brzdy.

*predávané samostatne

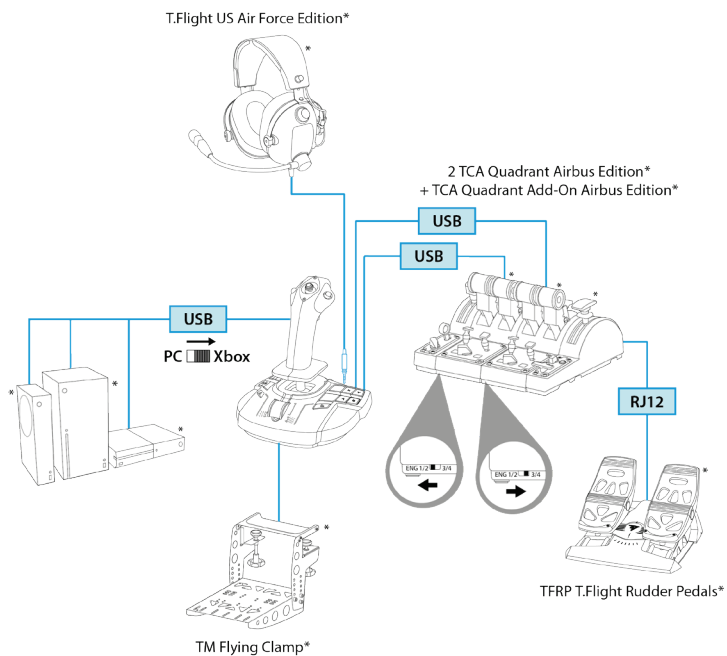
PRIPOJENIE TCA SIDESTICK X AIRBUS EDITION SO VŠETKÝMI KOMPATIBILNÝMI PRODUKTMI

XBOX SERIES X|S – XBOX ONE – PC



*predávané samostatne

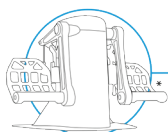
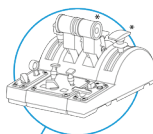
XBOX SERIES X|S – XBOX ONE



*predávané samostatne

TCA EKOSYSTÉM

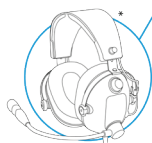
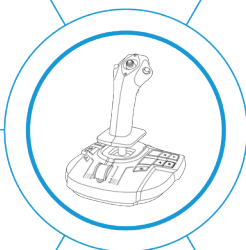
TCA Quadrant Airbus Edition*
+ TCA Quadrant Add-On Airbus Edition*



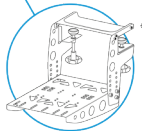
TPR:
Thrustmaster Pendular Rudder*



TFRP T.Flight Rudder Pedals*



T.Flight US Air Force Edition*



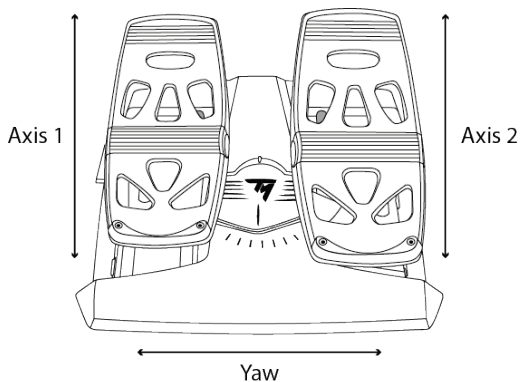
TM Flying Clamp*



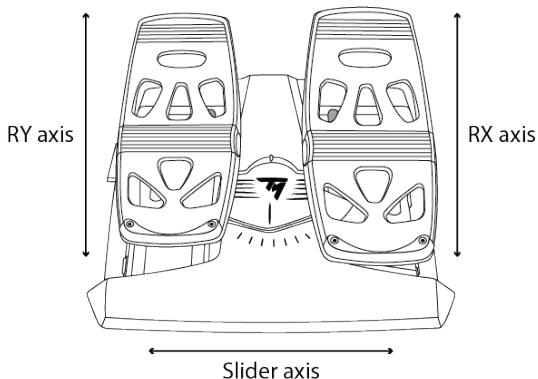
*predávané samostatne

MAPOVANIE PRE SYSTÉM KORMIDLA TFRP* PRIPOJENÝ K TCA SIDESTICK X AIRBUS EDITION CEZ TCA QUADRANT AIRBUS EDITION*

XBOX MAPOVANIE



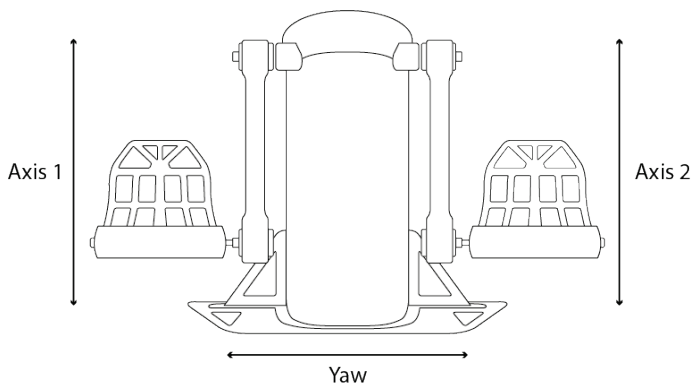
PC MAPOVANIE



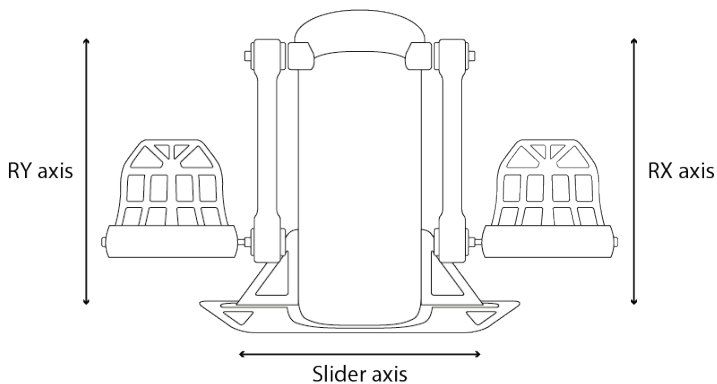
*predávané samostatne

MAPOVANIE PRE SYSTÉM KORMIDLA TPR* PRIPOJENÝ K TCA SIDESTICK X AIRBUS EDITION

XBOX MAPOVANIE



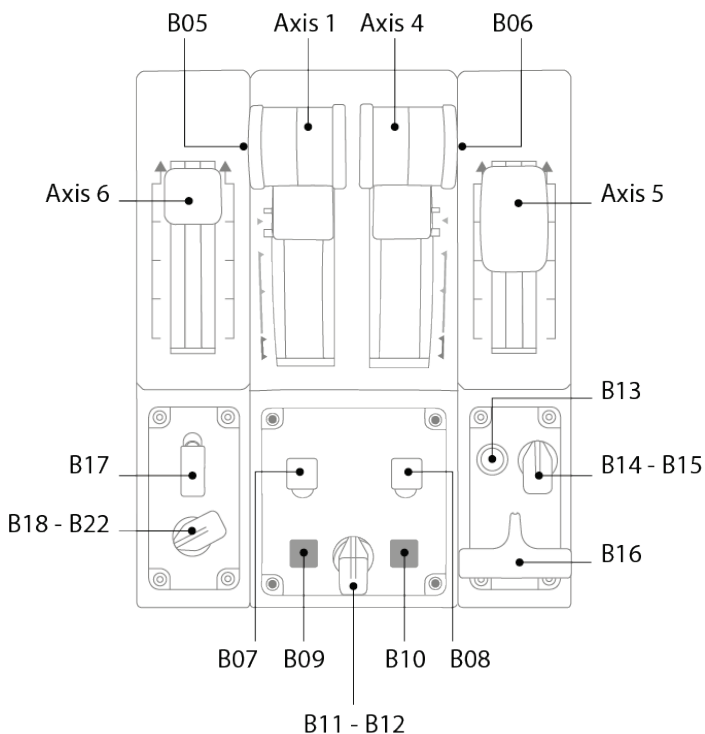
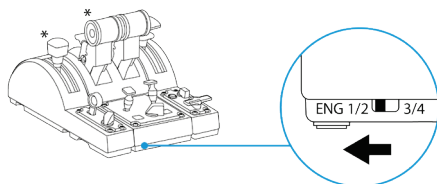
PC MAPOVANIE



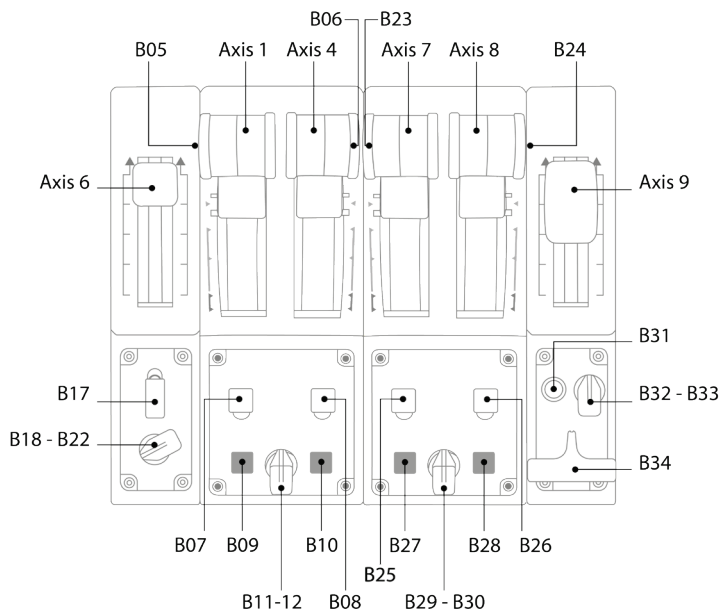
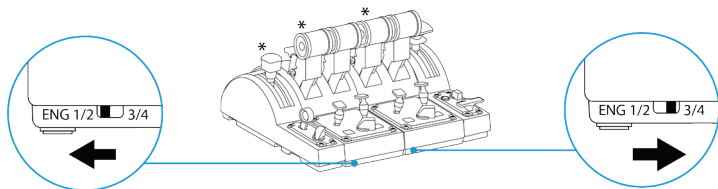
*predávané samostatne

MAPOVANIE PRE TCA QUADRANT AIRBUS EDITION* A TCA QUADRANT ADD-ON AIRBUS EDITION* PRIPOJENÉ K TCA SIDESTICK X AIRBUS EDITION

XBOX MAPOVANIE

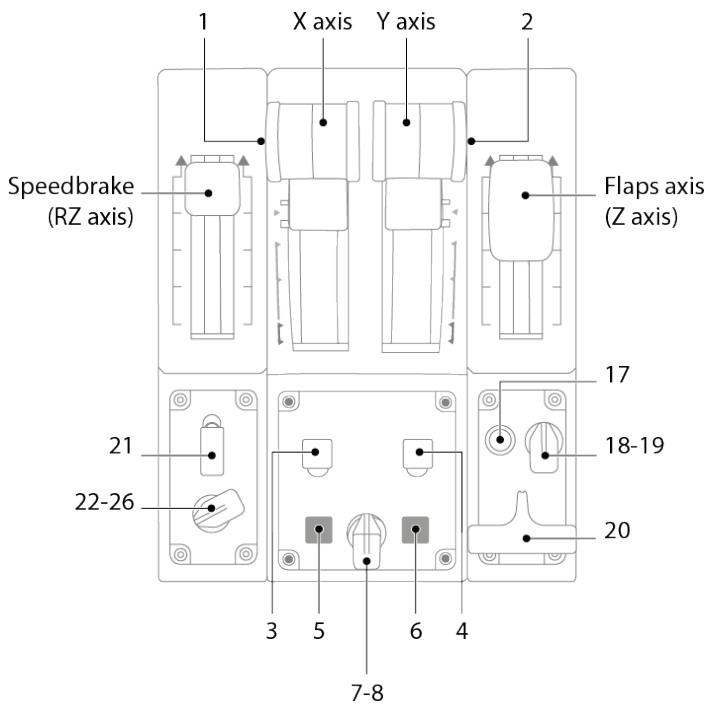
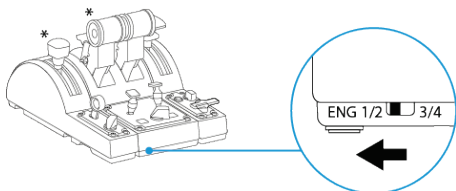


*predávané samostatne



**predávané samostatne*

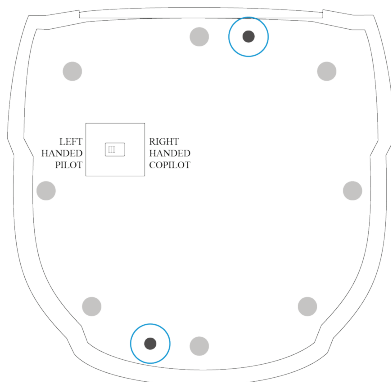
PC MAPOVANIE



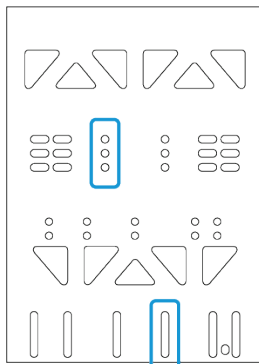
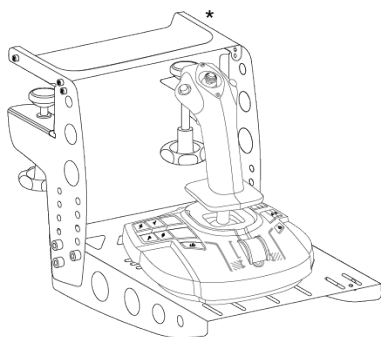
*predávané samostatne

INŠTALÁCIA TCA SIDESTICK X AIRBUS EDITION NA TM FLYING CLAMP*, KOKPIT ALEBO INÝ PEVNÝ POVRCH

Na pripavenie joysticku k pevnej podpore pomocou skrutiek M6 (nie sú súčasťou balenia) môžete použiť dva otvory umiestnené na spodnej strane TCA Sidestick X Airbus Edition.



INŠTALÁCIA TCA SIDESTICK X AIRBUS EDITION NA TM FLYING CLAMP*:



*predávané samostatne

AKTUALIZÁCIA FIRMVÉRU TCA SIDESTICK X AIRBUS EDITION

Firmvér obsiahnutý v joysticku je možné aktualizovať, aby ste mohli využiť vylepšenia produktu.

Ak chcete zobraziť verziu firmvéru joysticku a v prípade potreby ho aktualizovať: na PC prejdite na stránku <https://support.thrustmaster.com>. Kliknite na **Joysticks (Joysticky) / TCA Sidestick X Airbus Edition / Firmware (Firmvér)**, potom postupujte podľa pokynov a postupu sťahovania a inštalácie.



Jedinými podporovanými zariadeniami sú systém plynovej páky TCA Quadrant Airbus Edition* kombinovaný s prídavnými modulmi Airbus Edition* TCA Quadrant a kormidlovými systémami TPR* a TFRP*.

Teraz môžete hrať!

**predávané samostatne*

POKROČILÝ PROGRAMOVACÍ SOFTVÉR T.A.R.G.E.T (Thrustmaster Advanced pRogramming Graphical EdiTor)

T.A.R.G.E.T (Thrustmaster Advanced pRogramming Graphical EdiTor) je inovatívny, vysokovýkonný softvérový balík umožňujúci vylepšenia väčšiny letových ovládačov Thrustmaster a zdieľanie profilov s komunitou Thrustmaster.

STIAHNUTIE T.A.R.G.E.T

Prejdite na stránku <https://support.thrustmaster.com>. Kliknite na **Joysticks (Joysticky) / TCA Sidestick X Airbus Edition** a potom vyberte **Software (Softvér)**. Stiahnite a nainštalujte pokročilý programovací softvér T.A.R.G.E.T.

HLAVNÉ VLASTNOSTI T.A.R.G.E.T:

- Rôzne možné konfigurácie osí.
- Rôzne možné úrovne programovania: Basic, Advanced a Script.
- Použitie princípu Drag and Drop.
- Schopnosť kombinovať TCA Sidestick X Airbus Edition s inými joystickmi Thrustmaster (Hotas Cougar*, Hotas Warthog*, T.16000M*, MFD Cougar Pack*, tiež kompatibilné s T.A.R.G.E.T), čo umožňuje ich rozpoznanie ako jedno USB zariadenie.
- Prístup k pokročilým profilom vytvoreným komunitou Thrustmaster.



**predávané samostatne*

DÔLEŽITÉ POZNÁMKY

Pri pripájaní joysticku vždy nechajte páku a kormidlo vycentrované a nepohybujte nimi, aby ste predišli prípadným problémom s kalibráciou.

RIEŠENIE PROBLÉMOV A VAROVANIE

Môj joystick nefunguje správne alebo sa zdá byť nesprávne kalibrovaný.

- Pred pripojením USB kábla ku konzole alebo PC skontrolujte, či je prepínač **(14)** v správnej polohe (Xbox alebo PC).
- Vypnite konzolu alebo PC, odpojte joystick, znova ho pripojte a potom reštartujte hru.
- Pri pripájaní joysticku nechajte páku a kormidlo vycentrované a nepohybujte nimi, aby ste predišli možným problémom s kalibráciou.

Nemôžem nakonfigurovať svoj joystick.

- V ponuke **Options (Možnosti) / Controller (Ovládač) / Gamepad** alebo **Joystick** vo svojej hre vyberte príslušnú konfiguráciu alebo úplne prekonfigurujte možnosti ovládača.
- Ďalšie informácie nájdete v používateľskej príručke vašej hry alebo v online pomoci.

Môj joystick je príliš citlivý alebo nedostatočne citlivý.

- TCA Sidestick X Airbus Edition sa automaticky skalibruje po niekoľkých pohyboch na rôznych osiach.
- V ponuke **Options (Možnosti) / Controller (Ovládač) / Gamepad** alebo **Joystick** vo svojej hre upravte citlivosť a mŕtve zóny pre váš ovládač (ak sú tieto možnosti k dispozícii).

Konektor mikrofónu TCA Sidestick X Airbus Edition nefunguje správne.

- TCA Sidestick X Airbus Edition obsahuje USB audio zariadenie. Pri prvom pripojení zvukového zariadenia USB k systému Windows je predvolená hlasitosť všetkých mikrofónov nastavená na nulu.
- Ak chcete problém vyriešiť, prejdite do nastavení zvuku systému Windows pre konektor mikrofónu TCA Sidestick X Airbus Edition a nastavte úroveň zvuku na 100%.

Pripojené zariadenia nefungujú správne na PC.

- Nainštalujte ovládač PC. Prejdite na <https://support.thrustmaster.com>. Kliknite na **Joysticks (Joysticky) / TCA Sidestick X Airbus Edition** a vyberte **Drivers (Ovládače)**. Stiahnite si a nainštalujte PC ovládač a jeho prispôbené rozhranie pre ovládací panel Windows.



Toto zariadenie je určené len na použitie s ohľadom na účely hernej zábavy. Je prísne zakázané používať toto zariadenie na profesionálne tréningové aktivity.

INFORMÁCIE O ZÁRUKE

Celosvetovo, spoločnosť Guillemot Corporation S.A., ktorej sídlo sa nachádza na adrese Place du Granier, B.P. 97143, 35571 Chantepie, Francúzsko (ďalej len "Guillemot") zaručuje spotrebiteľovi, že počas záručnej doby, ktorá je zhodná s časovým limitom na podanie reklamácie na tento produkt, tento Thrustmaster produkt nemá materiálne chyby ani výrobné chyby.

V krajinách Európskej únie záručná doba zodpovedá obdobiu dvoch (2) rokov od dodania produktu Thrustmaster. V iných krajinách zodpovedá záručná doba lehoty pre podanie reklamácie na produkt Thrustmaster podľa platných zákonov krajiny, v ktorej mal spotrebiteľ bydlisko k dátumu kúpy produktu Thrustmaster (ak takýto zákon v príslušnej krajine neexistuje, potom je záručná doba jeden (1) rok od pôvodného dátumu zakúpenia produktu Thrustmaster).

Bez ohľadu na vyššie uvedené, sa na nabíjateľné batérie vzťahuje záručná doba šiestich (6) mesiacov od dátumu nákupu.

Ak počas záručnej doby dôjde na produkte ku chybe, okamžite kontaktujte Technickú podporu, ktorá Vám oznámi ďalší postup. Ak je chyba potvrdená, produkt musí byť vrátený v mieste jeho nákupu (alebo na inom mieste uvedenom Technickou podporou).

V kontexte tejto záruky má Technická podpora možnosť rozhodnúť, či bude chybný produkt spotrebiteľa buď vymenený alebo opravený do funkčného stavu. Ak v priebehu záručnej doby podlieha produkt Thrustmaster takejto oprave, každá doba najmenej siedmich (7) dní, počas ktorých je výrobok nepoužiteľný, bude doplnená do zostávajúcej záručnej doby (toto obdobie začína plynúť od dátumu žiadosti spotrebiteľa alebo dátumom, kedy je daný výrobok dodaný na opravu, ak je dátum, kedy je výrobok dodaný na opravu po dátume podania žiadosti). Ak to umožňujú platné právne predpisy, plná zodpovednosť spoločnosti Guillemot a jej dcérskych spoločností (vrátane následných škôd) je obmedzená na návrat produktu do funkčného stavu alebo na výmenu produktu Thrustmaster. Ak to dovoľuje platné právo, spoločnosť Guillemot neposkytuje záruku obchodovateľnosti a spôsobilosti pre určité použitie.

Táto záruka sa nevzťahuje na: 1. ak bol výrobok upravený, otvorený, pozmenený alebo poškodený v dôsledku nevhodného alebo hrubého používania, nedbanlivosti, nehody, bežného opotrebenia, alebo akejkoľvek inej príčiny nesúvisiacej s materiálnoú alebo výrobnou chybou (vrátane, nie však výlučne, kombinácie výrobku Thrustmaster s akýmkoľvek nevhodným prvkom, vrátane napájacích zdrojov, nabíjateľných batérií, nabíjaciek, alebo iných prvkov, ktoré Guillemot nedodáva pre tento výrobok); (2) ak bol výrobok použitý na akékoľvek iné použitie ako na domáce použitie, a to aj na profesionálne, alebo komerčné účely (napríklad herne, školenia, súťaže); (3) v prípade nedodržania pokynov poskytnutých Technickou podporou; (4) softvér, pričom uvedený softvér podlieha osobitnej záruke; (5) spotrebné materiály (prvky, ktoré sa majú vymeniť počas životnosti výrobku: napríklad jednorazové batérie, zvukové súpravy alebo slúchadlá); (6) na príslušenstvo (napríklad káble, puzdrá, vrecká, tašky, popruhy na zápästie); (7) ak bol výrobok predaný vo verejnej dražbe.

Táto záruka nie je prenosná.

Zákonné práva spotrebiteľa, pokiaľ ide o zákony platné pre predaj spotrebného tovaru v jeho alebo jej krajine, nie sú touto zárukou ovplyvnené.

Ďalšie záručné ustanovenia

Počas záručnej lehoty, Guillemot neposkytuje žiadne náhradné diely, vzhľadom na skutočnosť, že Technická podpora je jediná strana oprávnená otvoriť a/alebo opraviť akýkoľvek Thrustmaster produkt (Výnimkou je prípadné požiadanie Technickej podpory o nasledovanie písomných pokynov na opravy, ktoré má vykonať užívateľ - napríklad pre ich jednoduchosť a dostupné opravné postupy – a v prípade potreby dodanie náhradných dielov užívateľovi).

Kvôli inovačným cyklom a vzhľadom na ochranu know-how a obchodného tajomstva spoločnosti, Guillemot neposkytuje opravné postupy alebo náhradné diely na Thrustmaster produkty po uplynutí ich záručnej lehoty.

Zodpovednosť

Ak to dovoľujú platné zákony, spoločnosť Guillemot Corporation S.A. (ďalej len "Guillemot") a jej dcérske spoločnosti nenesú žiadnu zodpovednosť za akékoľvek škody spôsobené jedným alebo viacerými z nasledujúcich prípadov: 1. výrobok bol upravený, otvorený alebo pozmienený; (2) nedodržiali sa montážne inštrukcie; (3) nevhodné alebo hrubé používanie, nedbalosť, nehoda (napríklad náraz); (4) bežné opotrebenie; (5) používanie výrobku na akékoľvek iné použitie ako na domáce použitie, a to aj na profesionálne, alebo komerčné účely (napríklad herne, školenia, súťaže). Ak to dovoľujú platné zákony, spoločnosť Guillemot a jej dcérske spoločnosti nenesú žiadnu zodpovednosť za akékoľvek škody, ktoré nesúvisia s materiálnou alebo výrobnou vadou vo vzťahu k výrobku (vrátane, nie však výlučne, za akékoľvek škody spôsobené priamo alebo nepriamo akýmkoľvek softvérom, alebo kombinácie výrobku Thrustmaster s akýmkoľvek nevhodným prvkom, vrátane napájacích zdrojov, nabíjateľných batérií, nabíjačiek alebo iných prvkov, ktoré Guillemot nedodáva pre tento výrobok).

THRUSTMASTER®

TECHNICKÁ PODPORA

<https://support.thrustmaster.com>



AUTORSKÉ PRÁVA

©2022 Guillemot Corporation S.A. Všetky práva vyhradené. Thrustmaster® je registrovaná ochranná známka spoločnosti Guillemot Corporation S.A. Vyrába a distribuuje ju spoločnosť Guillemot Corporation S.A. AIRBUS, jeho logo a obchodné a servisné značky sú registrované ochranné známky spoločnosti Airbus. Všetky práva vyhradené. © Airbus 2022. Všetky práva vyhradené. Oficiálne licencované spoločnosťou Airbus.

Microsoft, Xbox, Xbox „Sphere“ Design, Xbox Series X|S, Xbox One a Windows 10/11 sú ochranné známky skupiny spoločností Microsoft.

Všetky ostatné ochranné známky a názvy značiek sú týmto uznané a sú majetkom ich príslušných vlastníkov. Obsah, dizajn a technické parametre sa môžu meniť bez predchádzajúceho upozornenia a môžu sa v jednotlivých krajinách líšiť. Fotografie a ilustrácie nie sú záväzné. Navrhnuté v Severnej Amerike a Európe, vyrobené v Číne.

ODPORÚČANIE PRE OCHRANU ŽIVOTNÉHO PROSTREDIA



- * V Európskej únii, V UK a Turecku: Na konci svojej životnosti by sa nemal tento produkt vyhodit' s bežným domovým odpadom, ale mal by byť odovzdaný na recykláciu v zbernom mieste na likvidáciu odpadu z elektrických a elektronických zariadení. (WEEE). Potvrdzujúci symbol o recyklácii nájdete na produkte, na návode na použitie alebo na obale. V závislosti od ich vlastností, môžu byť materiály recyklované. Prostredníctvom recyklácie a iných foriem spracovania odpadu z elektrických a elektronických zariadení môžete významne prispieť k ochrane životného prostredia. Pre získanie informácie o pre vás najbližšom možnom mieste odovzdania, kontaktujte

miestne orgány.

Pre všetky ostatné krajiny: Dodržujte miestne zákony o recyklácii elektrických a elektronických zariadení.

Ponechajte si tieto informácie. Farby a ozdobnosť sa môžu líšiť.

Plastové spony a lepiace pásky by sa mali z výrobku pred jeho použitím odstrániť.

www.thrustmaster.com

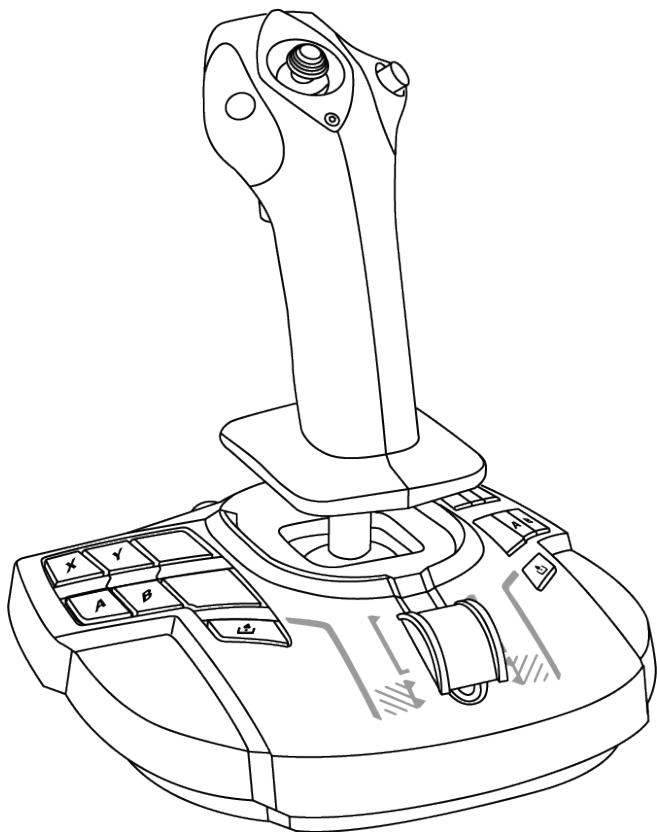
**Použiteľné pre EÚ, UK a Turecko*



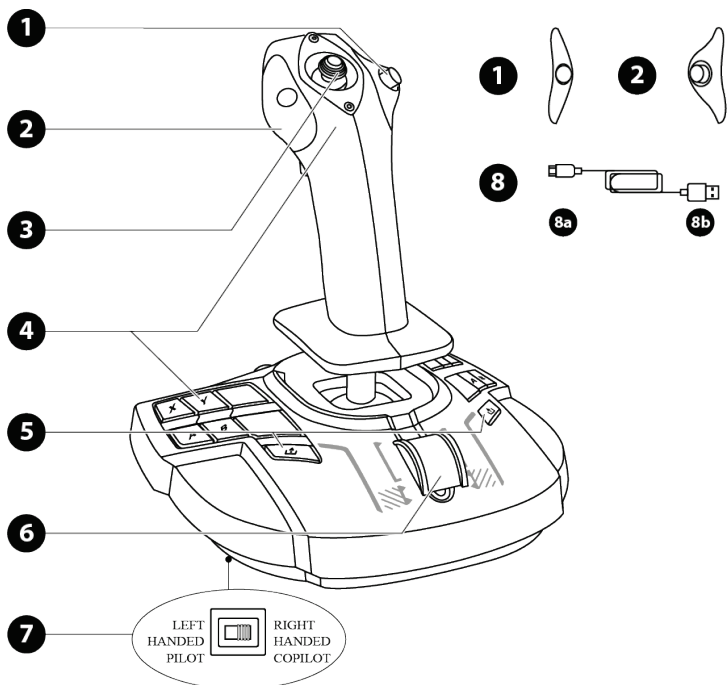
TCA SIDESTICK X **AIRBUS EDITION**

XBOX SERIES X|S – XBOX ONE – PC

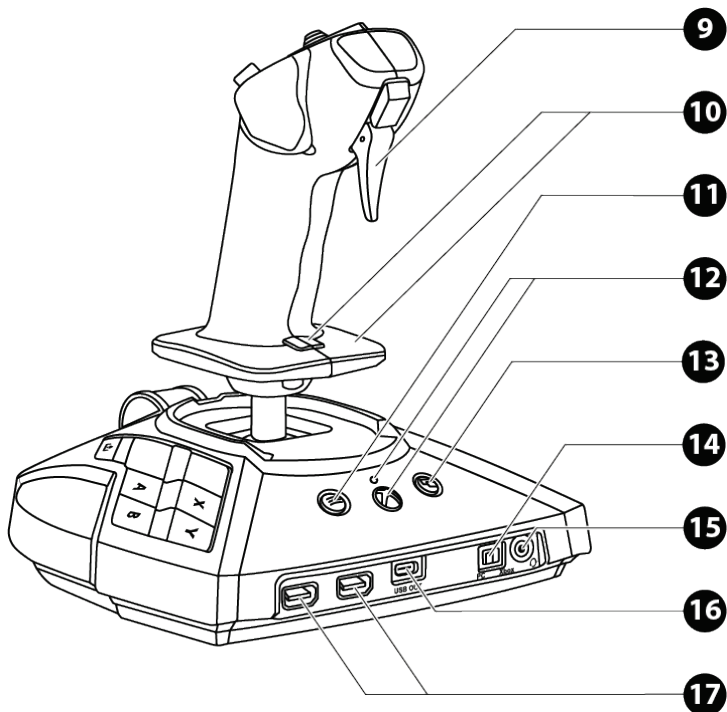
Használati útmutató



MŰSZAKI JELLEMZŐK



1. Jobb gomb modul
2. Bal gomb modul
3. Többirányú „Nézetváltó” kapcsoló
4. 21 akciógomb Xbox-hoz, 22 akciógomb PC-hez
5. Megosztás gombok (Xbox)
6. Gázadagoló + egy virtuális gomb (csak PC-én)
7. Kiválasztó kapcsoló: LEFT HANDED — PILOT (balkezes — pilóta) / RIGHT HANDED — COPILOT (jobbkezes — másodpilóta)
8. USB-C (8a) — USB-A (8b) kábel



- 9. Digitális ravasz
- 10. Oldalkormányzás a markolat elforgatásával, kéztámasszal + lezáró gomb
- 11. Menü gomb (Xbox)
- 12. Xbox gomb + LED
- 13. Nézet gomb (Xbox)
- 14. Xbox / PC kiválasztó kapcsoló
- 15. 3,5 mm-es mini-jack mikrofon csatlakozó gaming fejhallgatóhoz*
- 16. C típusú USB port
- 17. A típusú USB portok TCA Quadrant Airbus Edition*-höz vagy TPR oldalkormányhoz*

*külön kapható

MINDEN, AMIT A JOYSTICKRÓL TUDNI KELL

EXKLUZÍV PRECÍZIÓS TECHNOLOGIA

H.E.A.R.T: HallEffect AccuRate Technology

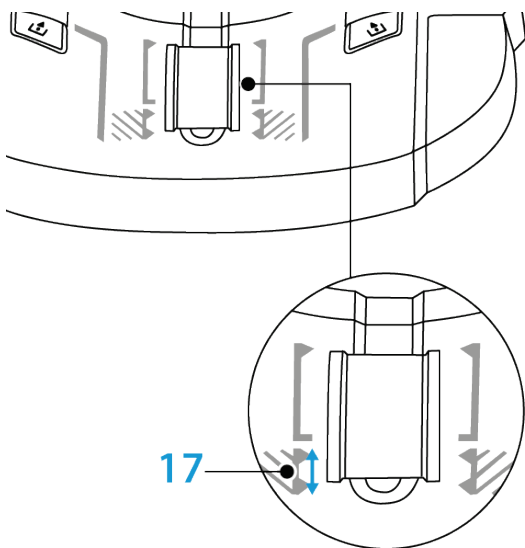
A TCA Sidestick X Airbus Edition joystick precíziós technológiája a következőket tartalmazza:

- 3D (Hall effektus) mágneses szenzorok a joystickon;
- mágnes: nincs súrlódás, korlátlan precizitás és hihetetlen érzékenység, ami idővel sem csökken;
- tekercsrugó a markolatban (2,8 mm): a kemény, lineáris és szuper folyamatos ellenállásért.

GÁZADAGOLÓ

A joystick rendelkezik egy gázadagolóval (6), aminek a segítségével könnyedén lehet a repülő hajtómű tolóerejét szabályozni.

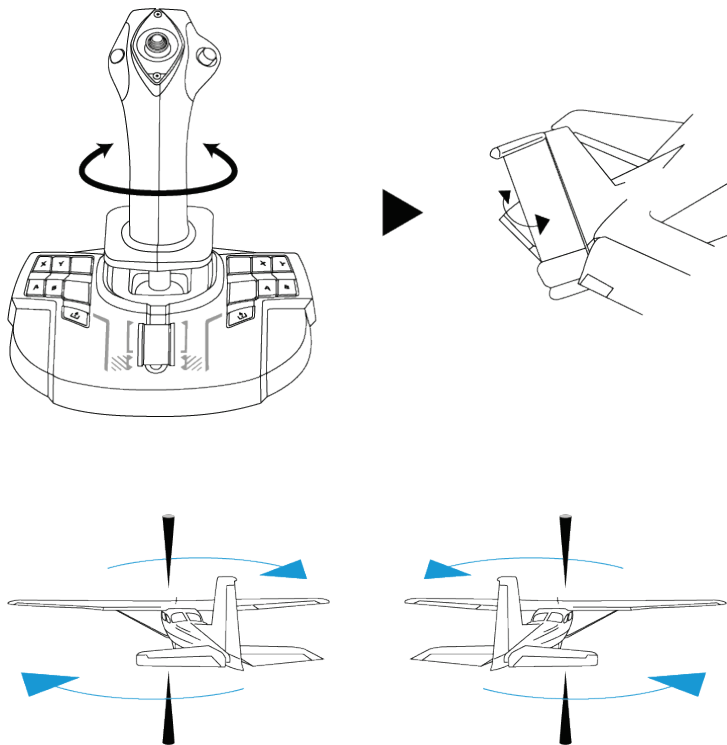
A csak PC-én elérhető (17-es a PC megfeleltetése) virtuális gomb, a gázadagoló útjának első 20 százalékában kapcsol be, azért, hogy a tolóerő megfordítót aktiválja.



OLDALKORMÁNYZÁS FUNKCIÓ

A joystick rendelkezik oldalkormányzás funkcióval **(10)**. A repülőgépen belül a pilóta irányítja az oldalkormányt annak érdekében, hogy a repülőt elfordítsa a függőleges tengelye körül (a repülő balra vagy jobbra fordul).

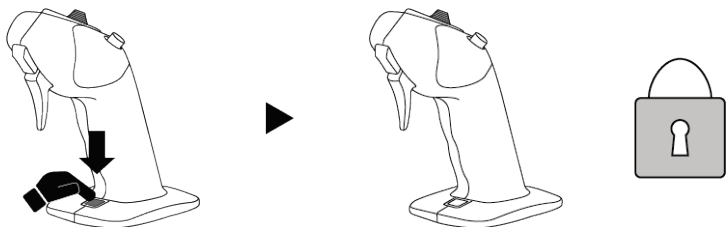
Az oldalkormányzás funkció a joystick balra vagy jobbra forgatásával (vagyis csavarás) használható.



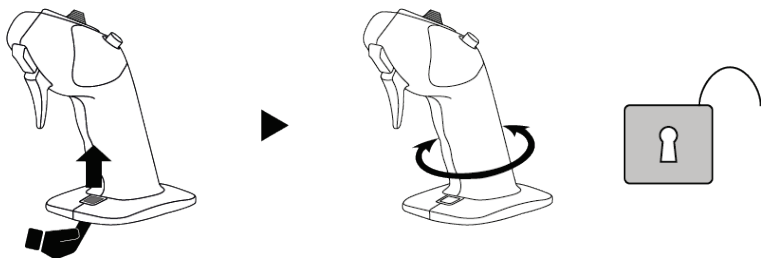
AZ OLDALKORMÁNYZÁS FUNKCIÓ LEZÁRÁSA/FELOLDÁSA

Az oldalkormányzás funkció kikapcsolható a joystick markolatának hátulján található lezáró gombbal.

Az oldalkormány tengelye a gomb lenyomásával zárható le.



Az oldalkormány tengely lezárásának feloldásához, állítsa ezt a gombot felső állásba.



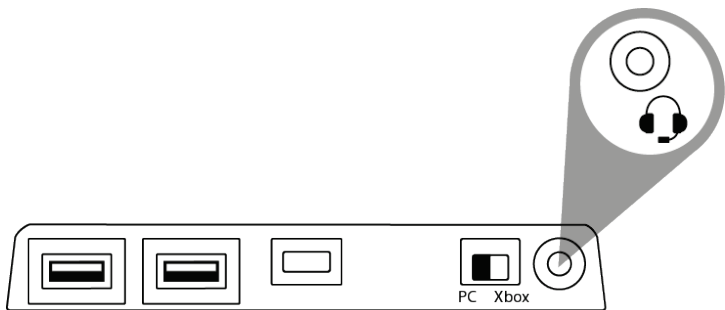
TÖBBIRÁNYÚ “NÉZETVÁLTÓ” KAPCSOLÓ

A joystick rendelkezik egy “Nézetváltó” kapcsolóval is **(3)** amely, lehetővé teszi, hogy azonnal körbenézhessünk, mi történik a repülőnk körül (azokban a játékokban, ahol ez engedélyezett). Ahhoz, hogy ez a funkció működjön, egyszerűen menjen be a játék beállításába és programozza be a különféle nézeteket (látvány hátulról, jobb- és baloldaltól, és kívülről) a “Nézetváltó” kapcsoló különböző irányaira.

Személyes preferencia alapján, lehetőség van a “Nézetváltó” kapcsoló egyéb használatára is (tüzelés stb.).

MIKROFON CSATLAKOZTATÁSA GAMING FEJHALLGATÓHOZ

A joystick egy 3,5 mm-es mini-jack mikrofon csatlakozóval **(15)** rendelkezik, amely lehetővé teszi a beépített mikrofonos gaming headset használatát a még intenzívebb élményért.

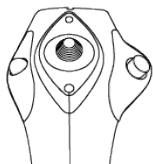


KÉTKEZES RENDSZER ÉS A MODULOK BEÁLLÍTÁSA

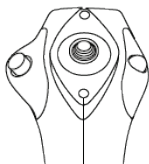
A TCA Sidestick X Airbus Edition joystick hatalmas előnye, hogy a használata tökéletesen kétkezes, vagyis minden játékoshoz alkalmazkodik, legyen az jobb vagy balkezes.

Alapértelmezettként a joystick pilóta módban van. Négy beállítási lehetőség létezik:

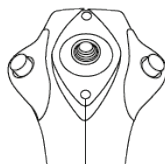
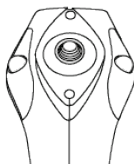
Pilóta



Másodpilóta



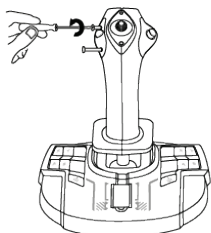
Középső botkormány



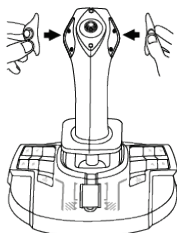
A joystick beállításának módosítása:

1. Egy kis csavarhúzóval óvatosan csavarja ki és távolítsa el a modulokat rögzítő két csavart.
2. Állítsa be a modulokat saját preferencia alapján.
3. Helyezze vissza a csavarokat, majd húzza meg őket.

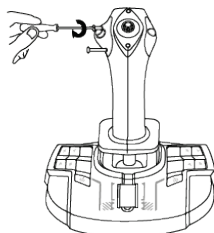
1



2



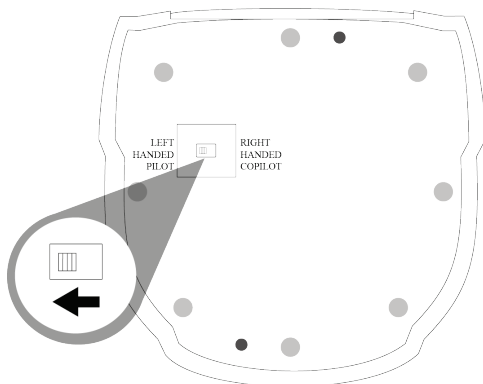
3



A BOTKORMÁNY KONFIGURÁCIÓJA BALKEZES (PILÓTA) MÓDBA

A BALKEZES (PILÓTA) mód beállításához, a joystick csatlakoztatása előtt, ellenőrizze, hogy a joystick alap alján található kiválasztó kapcsoló (7) LEFT HANDED — PILOT módban legyen.

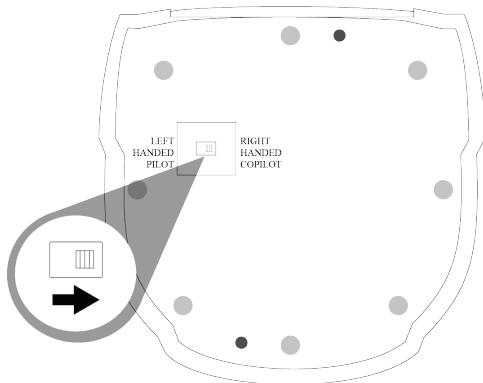
Ekkor a termék TCA Sidestick X Pilot-ként kerül azonosításra.



A BOTKORMÁNY KONFIGURÁCIÓJA JOBBKEZES (MÁSODPILÓTA) MÓDBA

A JOBBKEZES (MÁSODPILÓTA) mód beállításához, a joystick csatlakoztatása előtt, ellenőrizze, hogy a joystick alap alján található kiválasztó kapcsoló (7) RIGHT HANDED — COPILOT módban legyen.

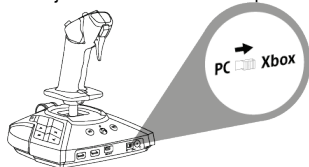
Ekkor a termék TCA Sidestick X Copilot-ként kerül azonosításra.



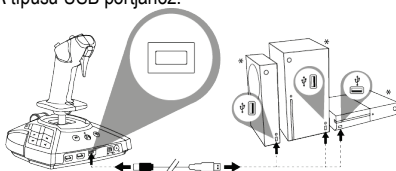
XBOX SERIES X|S / XBOX ONE

TELEPÍTÉS XBOX SERIES X|S* -RE/ XBOX ONE*-RA

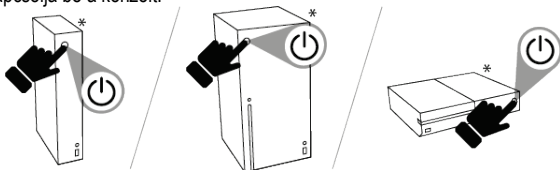
1. Állítsa a joystick hátulján található kiválasztó kapcsolót **(14)** Xbox pozícióba.



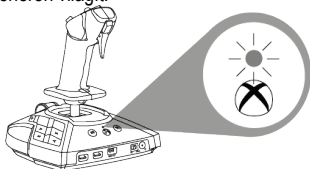
2. Csatlakoztassa az USB-C – USB-A kábelt **(8)** a joystick C típusú USB portjához **(16)** és a konzol A típusú USB portjához.



3. Kapcsolja be a konzolt.



4. A joystick LED-je fehérén világít.



5. Indítson el, egy Botkormány üzemmódot támogató kompatibilis játékot.

Már játszhat is!

**külön kapható*

A KOMPATIBILIS XBOX SERIES X|S / XBOX ONE JÁTÉKOK LISTÁJA

Xbox Series X|S* -t/ Xbox One*-t használva a TCA Sidestick X Airbus Edition:

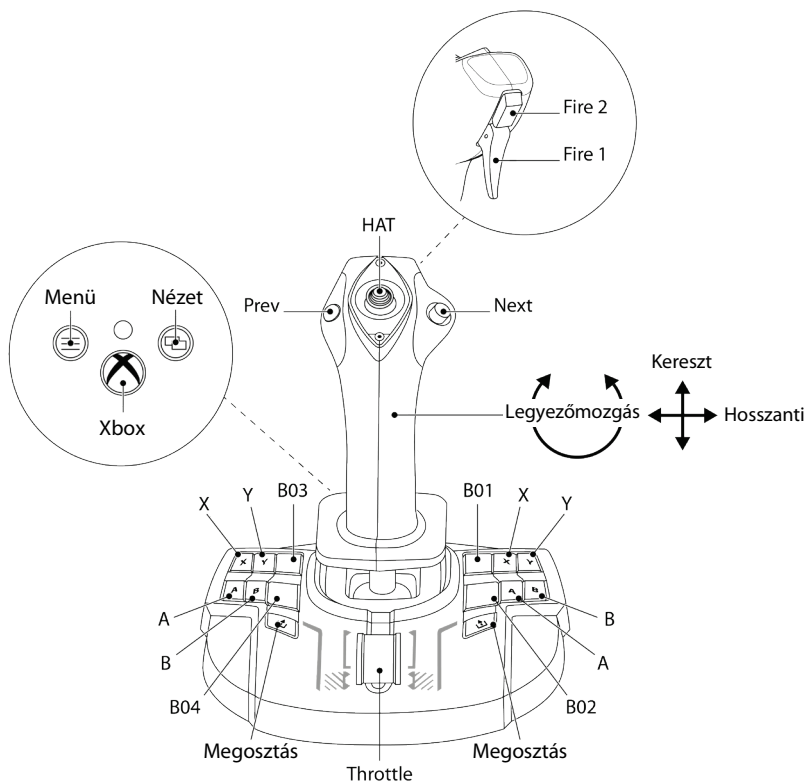
- csak a Botkormány üzemmódot támogató játékokkal kompatibilis.
- a játékok joystickként és nem gamepadként ismerik fel, így tud a legérzékenyebben és pontosabban működni és így aknázhatók ki legjobban a joystick számára elérhető lehetőségek a játékban.

A joystickkel kompatibilis Xbox Series X|S / Xbox One játékok listája itt érhető el: <https://support.thrustmaster.com> a **Joysticks / TCA Sidestick X Airbus Edition** részben.

A lista folyamatosan frissül a TCA Sidestick X Airbus Edition-el kompatibilis legújabb Xbox Series X|S / Xbox One játékokkal.

**külön kapható*

XBOX MEGFELELTETÉS



A TCA SIDESTICK X AIRBUS EDITION CSATLAKOZTATHATÓSÁGA XBOX SERIES X|S*-EN/ XBOX ONE*-ON

A TCA Sidestick X Airbus Edition négy tengellyel rendelkezik, de a TCA Quadrant Airbus Edition* gázkar rendszer, a TCA Quadrant Add-On Airbus Edition* modulok és a TPR* oldalkormány rendszer közvetlenül csatlakoztatható a joystick hátuljához.

Csak Xbox Series X|S*-en / Xbox One*-on, egy második gázkar rendszert lehet a TCA Quadrant Airbus Edition*-höz csatlakoztatni, mellyel a joystick akár kilenc plusz tengelyt is képes kezelni.

Xbox Series X|S*-en / Xbox One*-on az A típusú USB porttal csatlakozó kompatibilis Thrustmaster eszközök összeolvadnak a TCA Sidestick X Airbus Edition-el.



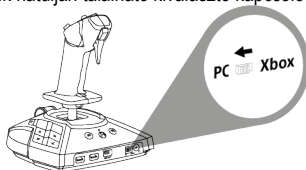
Eszközök, melyeket a Xbox Series X|S* / Xbox One* támogat: TCA Quadrant Airbus Edition*, TCA Quadrant Add-On Airbus Edition*, és a TPR* és TFRP* oldalkormány rendszerek.

**külön kapható*

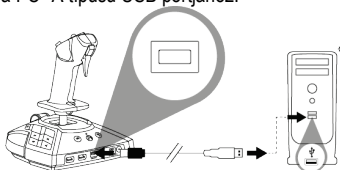
PC

TELEPÍTÉS PC*-RE

1. Menjen a <https://support.thrustmaster.com> weboldalra. Kattintson a **Joysticks / TCA Sidestick X Airbus Edition-re** és válassza ki a **Drivers-t (Illesztőprogram)**. Töltse le és telepítse a PC illesztőprogramot és az egyéni felületet a Windows Control Panel-hez (Vezérlőpult).
2. Állítsa a joystick hátulján található kiválasztó kapcsolót **(14)** PC pozícióba.



3. Csatlakoztassa az USB-C — USB-A kábelt **(8)** a joystickon található C típusú USB porthoz **(16)** és a PC* A típusú USB portjához.



4. Indítson el egy HID (Külső kezelőeszköz) repülés kiegészítőt támogató kompatibilis játékot.

Már játszhat is!


**külön kapható*

EGYÉNI BEÁLLÍTÁSOK FELÜLET

- Így lehet a Control Panel (Vezérlőpult) egyéni beállításokhoz szükséges felületet letölteni: válassza ki a **Start / Apps (Applikációk) / Thrustmaster / Control Panel-t (Vezérlőpult)** (Windows® 10/11-ben).
Megjelenik a **Game Controllers (Játékvezérlők)** párbeszédpanel. Az eszköz **TCA Sidestick X**-ként jelenik meg, **OK** státusszal.
- A **Game Controllers (Játékvezérlők)** párbeszédpanelen, kattints a **Properties-re (Tulajdonságok)** a funkciók megtekintéséhez és teszteléséhez.

Thrustmaster Flight Control Panel Properties

Test Input

 Pilot
Co-pilot

Axes

Left MiniStick

Y Axis
X Axis
Joystick

RZ Axis
Rudder

Slider 0
Throttle

Point of View hat-switch

Buttons

1 2 3 4 5 6 7 8 9
10 11 12 13 14 15 16 17 18
19 20 21 22

THRUSTMASTER
www.thrustmaster.com
Technical Support:
ts.thrustmaster.com
Firmware: 1.11
Control Panel: 3.07

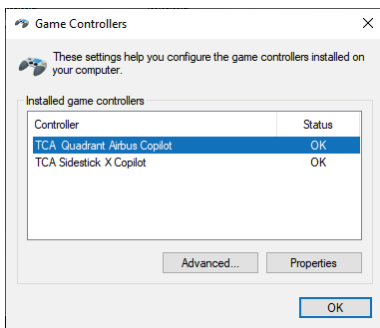
Check for Update

OK Cancel Apply

A TCA SIDESTICK X AIRBUS EDITION CSATLAKOZTATHATÓSÁGA PC*-ÉN

A TCA Sidestick X Airbus Edition négy tengellyel rendelkezik, de a TCA Quadrant Airbus Edition* gázkar rendszer, a TCA Quadrant Add-On Airbus Edition* modulok és a TPR* oldalkormány rendszer közvetlenül csatlakoztatható a joystick hátuljához.

Amikor a TCA Quadrant Airbus Edition* és a TPR* oldalkormány rendszer vagy a TFRP* oldalkormány rendszer csatlakoztatva vannak, külön jelennek meg a **Game Controllers (Játékvezérlők)** párbeszédpanelben virtuális eszközként:

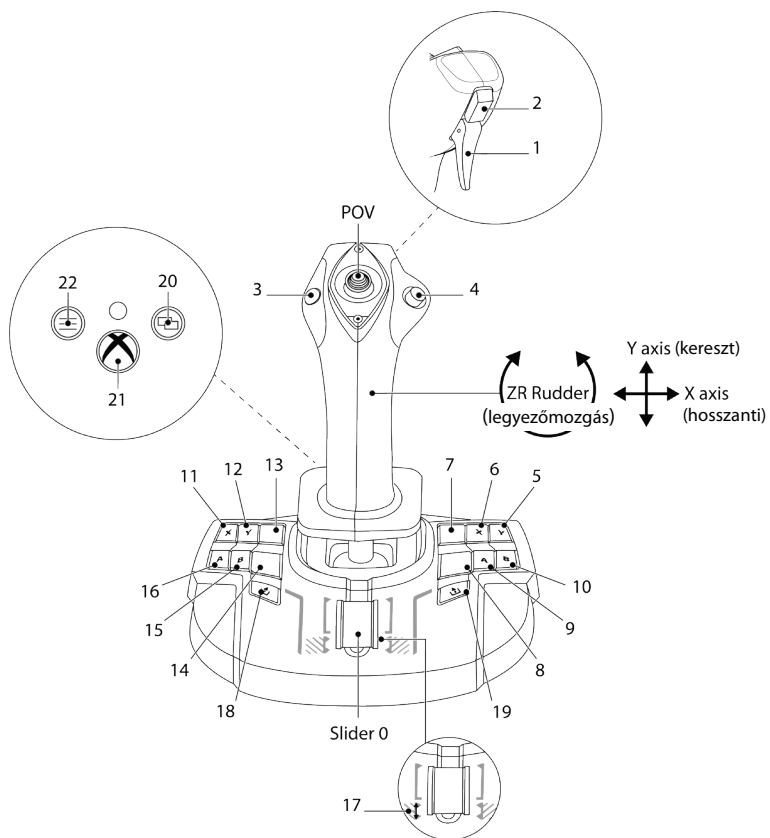


A TPR* oldalkormány rendszer vagy TFRP* oldalkormány rendszer csatlakoztatása:

- Az eszköz megfelelő működéséhez szükség van az illesztőprogram telepítésére.
- Ha az oldalkormány rendszer vagy a gázkar rendszer a joystickhoz van csatlakoztatva, akkor az oldalkormány rendszer három tengelye egyesül a virtuális quadrant-tal (TCA Quadrant Airbus Copilot).

*külön kapható

PC MEGFELELTETÉS



A TCA SIDESTICK X AIRBUS EDITION, A TCA QUADRANT AIRBUS EDITION*, A TPR* ÉS TFRP* OLDALKORMÁNY RENDSZEREK EGYÜTTES TELEPÍTÉSE

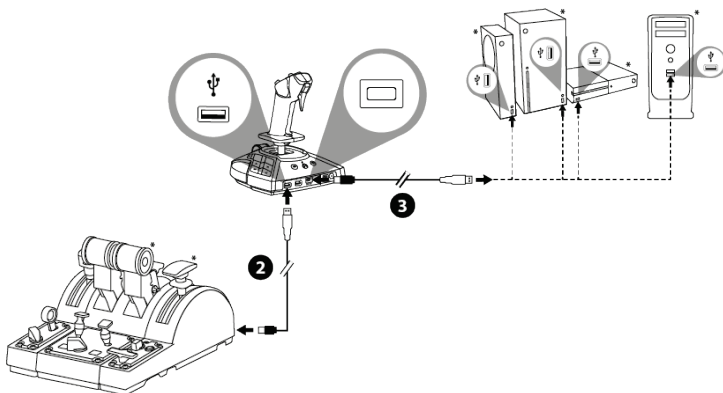
GÁZKAR ÉS KIEGÉSZÍTŐ MODULOK

A TCA Quadrant Airbus Edition* együttesen a TCA Quadrant Add-On Airbus Edition* modullal csatlakozik a joystickhoz.

1. Állítsa a joystick hátulján lévő kiválasztó kapcsolót **(14)** Xbox vagy PC pozícióba.



2. Csatlakoztass az USB-C — USB-A kábelt **(8)** a gázkaron található C típusú USB porthoz és a joystick hátulján található A típusú USB porthoz **(17)**.
3. Csatlakoztasson egy második USB-C — USB-A kábelt **(8)** a joystick C típusú USB portjához **(16)** és a konzol vagy PC A típusú USB portjához.



*külön kapható

OLDALKORMÁNY RENDSZER

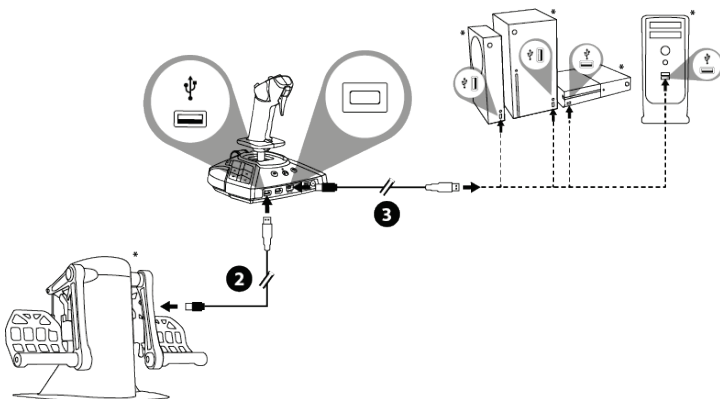
Három tengely van a TPR* és a TFRP* oldalkormány rendszereknek dedikálva.

A TPR* oldalkormány rendszer a joystickhoz csatlakozik.

1. Állítsa a joystick hátulján található kiválasztó kapcsolót **(14)** Xbox vagy PC pozícióba.



2. Csatlakoztassa az oldalkormány rendszer USB-A — USB-B kábelét az oldalkormány rendszeren található B típusú USB porthoz és a joystick hátulján található A típusú USB porthoz **(17)**.
3. Csatlakoztassa az USB-C — USB-A kábelt **(8)** a joystick C típusú USB portjához **(16)** és a konzol vagy PC A típusú USB portjához.



Xbox Series X|S* -et/ Xbox One*-t használva, nem lehet a TPR* oldalkormány rendszert csatlakoztatni, ha már kettő TCA Quadrant Airbus Edition* gázkar rendszer van a TCA Sidestick X Airbus Edition-höz csatlakoztatva.

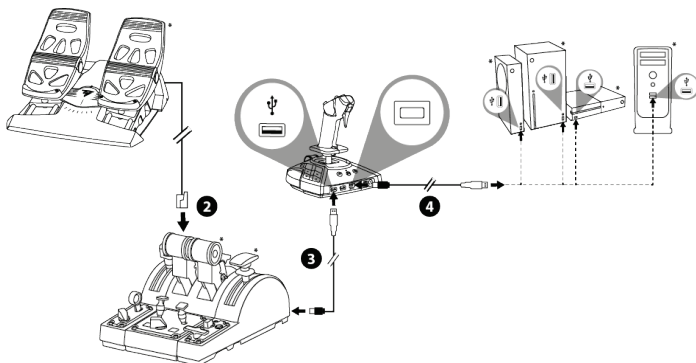
*külön kapható

A TFRP* oldalkormány rendszer a gázkar rendszerhez csatlakozik, amikor a TCA Quadrant Airbus Edition*-t használja.

1. Állítsa a joystick hátulján található kiválasztó kapcsolót **(14)** Xbox vagy PC pozícióba.



2. Csatlakoztassa az oldalkormány rendszer RJ12 csatlakozóját a TCA Quadrant Airbus Edition gázkar rendszer* hátulján található RJ12 porthoz.
3. Csatlakoztassa az USB-C — USB-A kábelt **(8)** a gázkaron található C típusú USB porthoz és a joystick hátulján található A típusú USB porthoz **(17)**.
4. Csatlakoztasson egy második USB-C — USB-A kábelt **(8)** a joystick C típusú USB portjához **(16)** és a konzol vagy PC A típusú USB portjához.



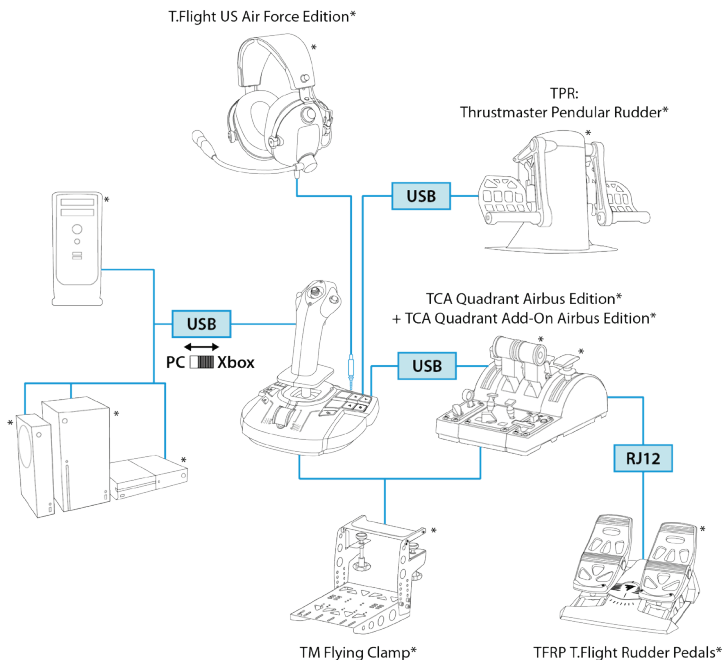
A tengelyek automatikus kalibrálása:

- Amikor az oldalkormány rendszert a joystickhoz vagy a gázkar rendszerhez csatlakoztatja, az oldalkormány tengely mindig középpólásban legyen. Ne tegye a lábát az oldalkormányra.
- A pedálok három tengelye, néhány mozdulat után, illetve miután az oldalkormány tengely és a két differenciál fék elérte a fizikai határát automatikusan bekalibrálódnak.

*külön kapható

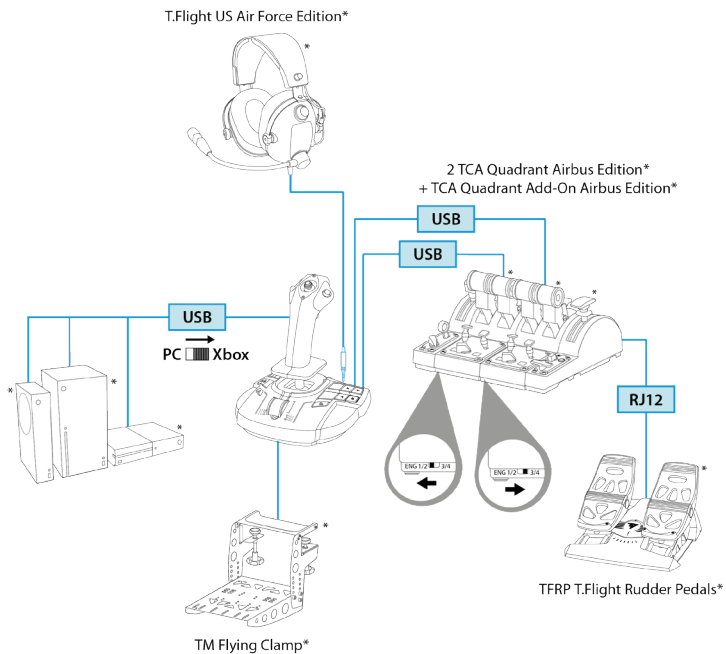
A TCA SIDESTICK X AIRBUS EDITION CSATLAKOZTATÁSA AZ ÖSSZES KOMPATIBILIS TERMÉKKEL

XBOX SERIES X|S – XBOX ONE – PC



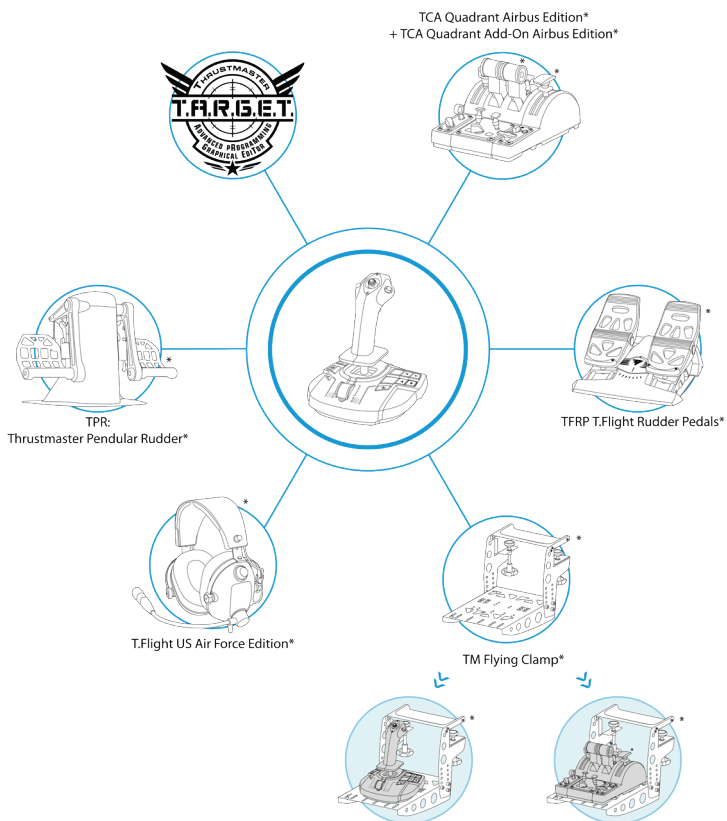
*külön kapható

XBOX SERIES X|S – XBOX ONE



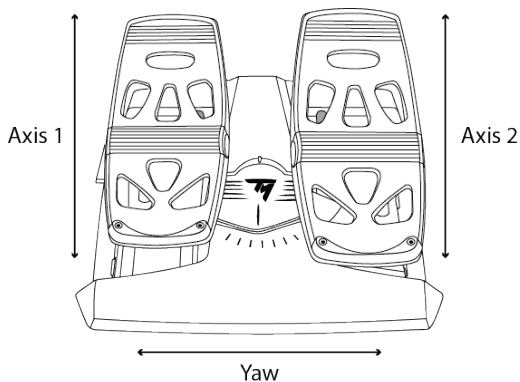
*külön kapható

TCA TERMÉKCSALÁD

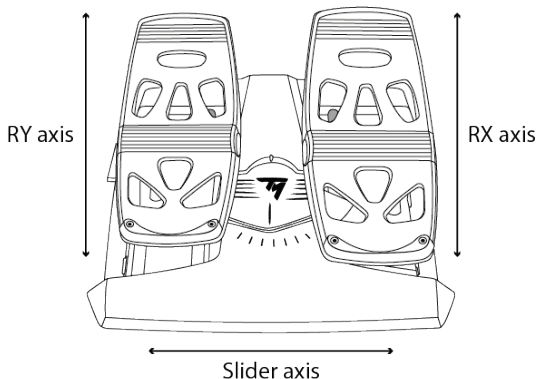


A TFRP* OLDALKORMÁNY RENDSZER MEGFELELTETÉSE TCA SIDESTICK X AIRBUS EDITION-HÖZ CSATLAKOZTATVA A TCA QUADRANT AIRBUS EDITION*-ÖN KERESZTÜL

XBOX MEGFELELTETÉS



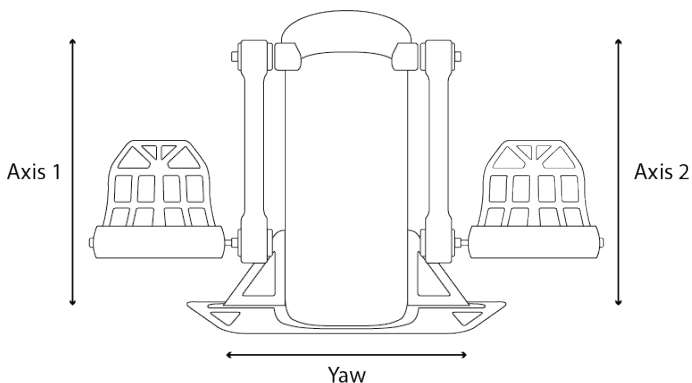
PC MEGFELELTETÉS



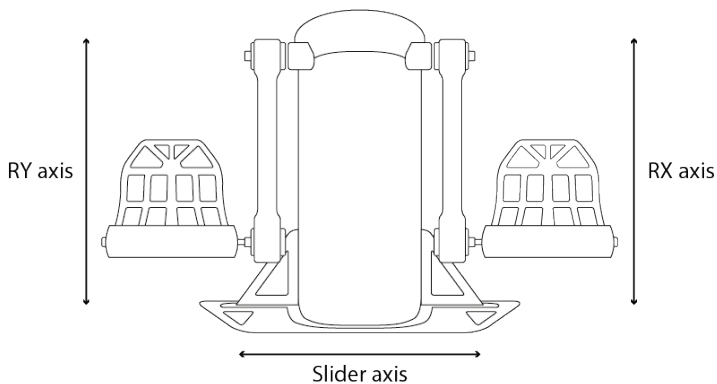
*külön kapható

A TPR* OLDALKORMÁNY RENDSZER MEGFELELTETÉSE A TCA SIDESTICK X AIRBUS EDITION-HÖZ CSATLAKOZTATVA

XBOX MEGFELELTETÉS



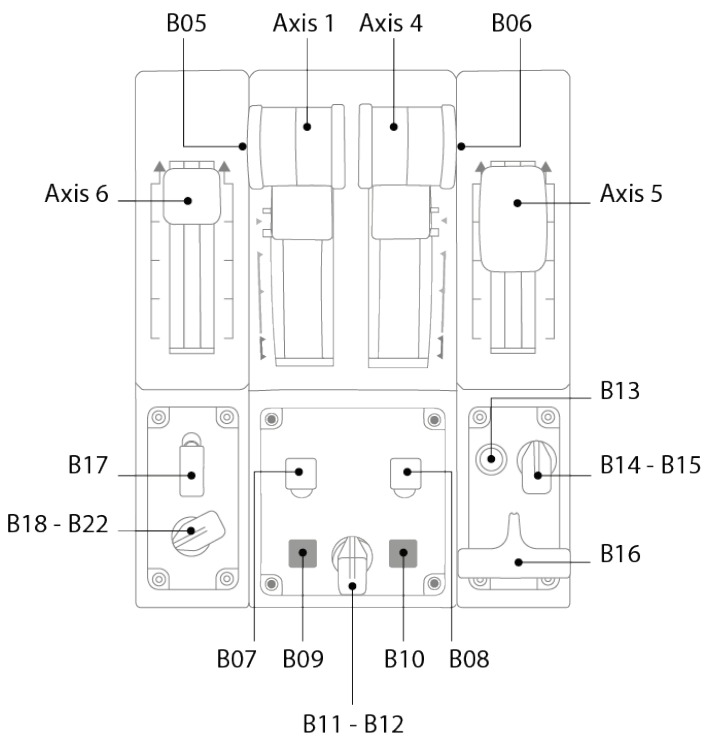
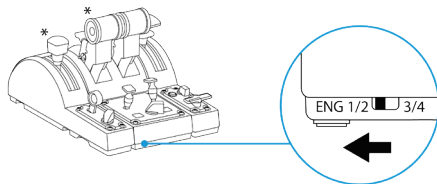
PC MEGFELELTETÉS



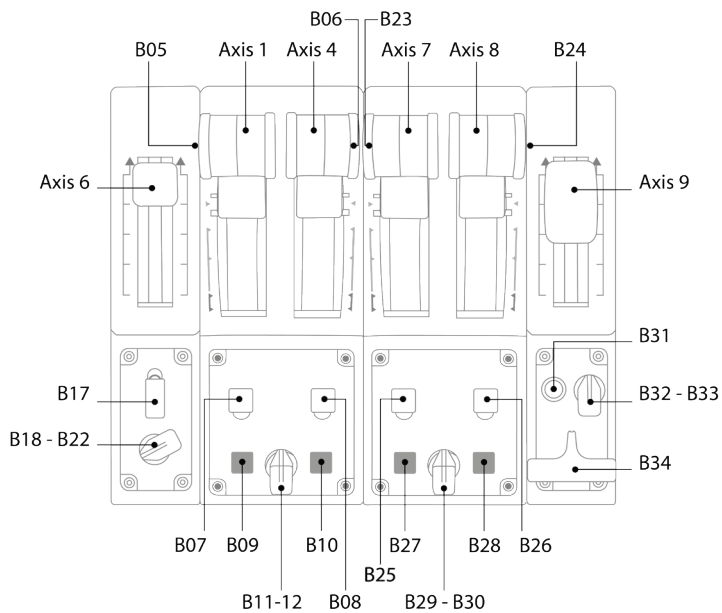
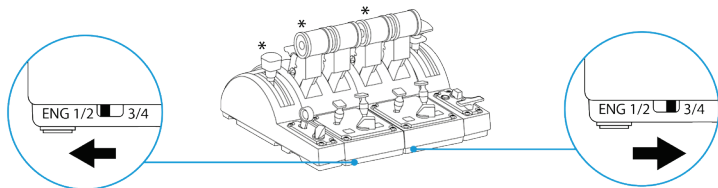
*külön kapható

A TCA QUADRANT AIRBUS EDITION* ÉS TCA QUADRANT ADD-ON AIRBUS EDITION* MEGFELELTETÉSE TCA SIDESTICK X AIRBUS EDITION-HÖZ CSATLAKOZTATVA

XBOX MEGFELELTETÉS

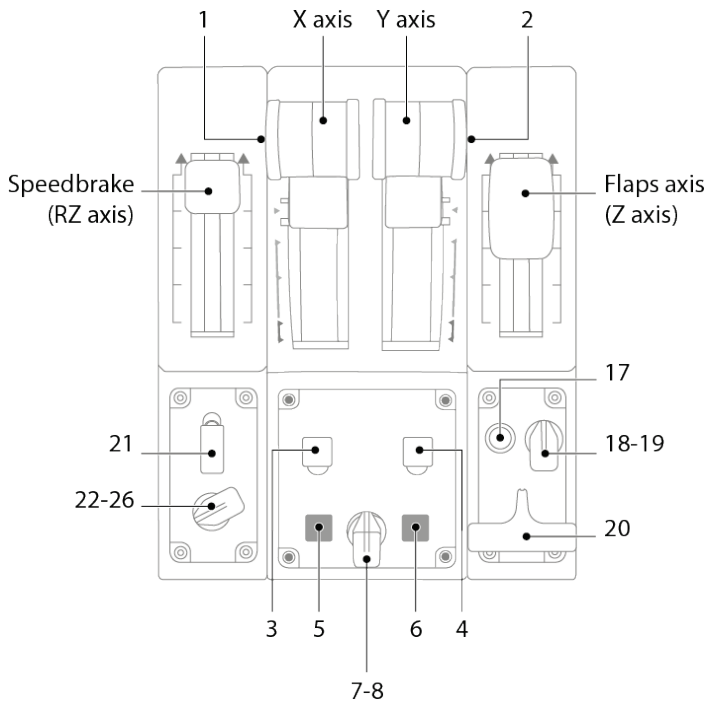
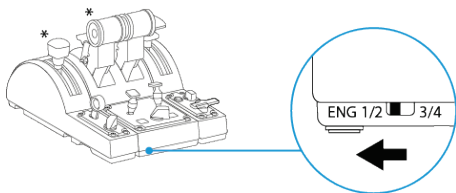


*külön kapható



*külön kapható

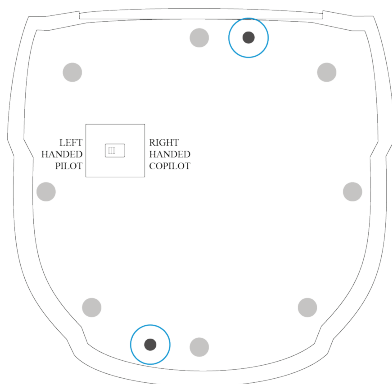
PC MEGFELELTETÉS



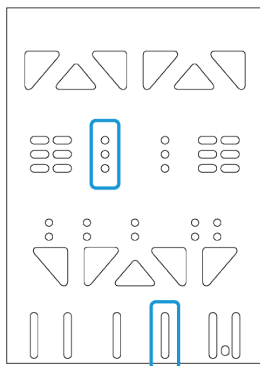
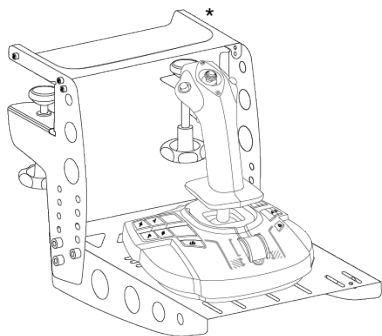
*külön kapható

A TCA SIDESTICK X AIRBUS EDITION RÖGZÍTÉSE A TM FLYING CLAMP*-RE, PILÓTAFÜLKÉBE VAGY EGYÉB ÁLLÓ TARTÓRA

Használja a TCA Sidestick X Airbus Edition alján található két csavarhelyet a joystick rögzítéséhez álló tartóra M6-os csavarokat használva (nem a csomag része).



A TCA SIDESTICK X AIRBUS EDITION RÖGZÍTÉSE A TM FLYING CLAMP*-RE:



*külön kapható

A TCA SIDESTICK X AIRBUS EDITION FIRMWARE FRISSÍTÉSE

A joystickban található firmware frissíthető, hogy a termékfejlesztések hozzáférhetőek legyenek.

A joystick firmware verzióját ellenőrizheti és ha szükséges frissítheti: PC-én, menjen a <https://support.thrustmaster.com> weboldalra. Kattintson a **Joysticks / TCA Sidestick X Airbus Edition / Firmware-re**, majd kövesse az utasításokat és a letöltési és telepítési folyamatot.



Kizárólag a következő eszközök támogatottak: a TCA Quadrant Airbus Edition* gázkar rendszer együtt használva a TCA Quadrant Add-On Airbus Edition* modulokkal és a TPR* és TFRP* oldalkormány rendszerekkel.

Már játszhat is!

**külön kapható*

T.A.R.G.E.T KORSZERŰ PROGRAMOZÓ SZOFTVER (Thrustmaster Advanced pRogramming Graphical EdiTor)

A T.A.R.G.E.T (Thrustmaster Advanced pRogramming Graphical EdiTor) egy innovatív, nagy teljesítményű szoftvercsomag, amely lehetővé teszi a legtöbb Thrustmaster repülésvezérlő fejlesztését és a profilok megosztását a Thrustmaster közösséggel.

A T.A.R.G.E.T LETÖLTÉSE

Menjen a <https://support.thrustmaster.com> weboldalra. Kattintson a **Joysticks / TCA Sidestick X Airbus Edition-re**, majd válassza ki a **Software-t (Szoftver)**. Töltse le és telepítse a T.A.R.G.E.T korszerű programozó szoftvert.

A T.A.R.G.E.T FŐBB FUNKCIÓI:

- A tengelyek különböző konfigurálási lehetőségei.
- Különböző programozási szintek: Basic (Alap), Advanced (Haladó) és Script.
- „Egérrel húzás” elven működik.
- Képes a TCA Sidestick X Airbus Edition-t egyéb Thrustmaster joystickkal (Hotas Cougar*, Hotas Warthog*, T.16000M*, MFD Cougar Pack*, ezek is kompatibilisek a T.A.R.G.E.T-el) kombinálni, melyeket egyszerű USB eszközként ismer fel.
- Hozzáférés a Thrustmaster közösség által létrehozott haladó profilokhoz.



*külön kapható

FONTOS MEGJEGYZÉSEK

Amikor a joystickot csatlakoztatja: állítsa a botkormányt és az oldalkormányt középállásba és ne mozgassa őket, hogy elkerülhesse a lehetséges kalibrációs problémákat.

HIBAEZHÁRÍTÁS ÉS FIGYELMEZTETÉS

A joystickom nem működik megfelelően vagy hibásan van kalibrálva.

- Ellenőrizze, hogy a kiválasztó kapcsoló **(14)** a megfelelő helyzetben van (Xbox vagy PC) mielőtt az USB kábelt a konzolhoz vagy PC-hez csatlakoztatná.
- Kapcsolja ki a konzolt vagy PC-ét és húzza ki a joystickot; majd csatlakoztassa a joystickot és indítsa újra a játékot.
- Amikor a joystickot csatlakoztatja: állítsa a botkormányt és az oldalkormányt középállásba és ne mozgassa őket, hogy elkerülhesse a lehetséges kalibrációs problémákat.

Nem tudom a joystickomat konfigurálni.

- A játék **Options (Opciók) / Controller (Kontroller) / Gamepad** vagy **Joystick** menüjében: válassza ki a megfelelő beállításokat vagy konfigurálja újra a kontroller beállításait.
- További információért olvassa el a játék használati útmutatóját vagy használja az online segítséget.

A joystickom túlérzékeny vagy nem elég érzékeny.

- TCA Sidestick X Airbus Edition automatikusan bekalibrálja saját magát, a különböző tengely néhány mozdulatát követően.
- A játék **Options (Opciók) / Controller (Kontroller) / Gamepad** vagy **Joystick** menüjében: állítsa be az érzékenységet és a kontroller holtjátékát (ha ezek az opciók elérhetőek).

A TCA Sidestick X Airbus Edition mikrofon csatlakozó nem megfelelően működik.

- A TCA Sidestick X Airbus Edition egy USB audio eszközzel rendelkezik. Amikor az USB audio eszközt Windows-hoz csatlakoztatja az első alkalommal, az alapértelmezett hangerő az összes mikrofon esetében nullára van állítva.
- A probléma megoldásához lépjen be a TCA Sidestick X Airbus Edition mikrofon csatlakozó Windows audio beállításokba és állítsa be a hangszintet 100%-ra.

PC-én, a csatlakoztatott eszközök, nem megfelelően működnek.

- Telepítse a PC illesztőprogramot. Menjen a <https://support.thrustmaster.com>-ra. Kattintson a **Joysticks / TCA Sidestick X Airbus Edition-re**, majd válassza ki a **Drivers-t (Illesztőprogram)**. Töltse le és telepítse a PC illesztőprogramot és az egyéni beállítások felületet a Windows Control Panel-hez (Vezérlőpult).



Ez az eszköz kizárólag játék szórakoztatás céljára készült. Szigorúan tilos ezt az eszközt, hivatásos tréning célokra használni.

TERMÉKSZAVATOSSÁGI TÁJÉKOZTATÓ

A franciaországi központú Guillemot Coporation S.A. (továbbiakban "Guillemot") (székhelyének címe: Place du Granier, B.P. 97143, 35571 Chantepie, Franciaország) világszerte garantálja a vásárlóinak, hogy a Thrustmaster által forgalmazott termék anyag és gyártási hibáktól mentes és a meghatározott szavatossági időn belül a termékkel szemben a cég eljár, ha szükséges. Az Európai Unió országain belül ez a szavatossági idő a Thrustmaster termék kiszállításától számított két (2) év. Más országokban, a Thrustmaster termékekre vonatkozó szavatossági időre azon helyi jogszabályok alkalmazandók, ahol a vásárló a vásárlás ideje alatt állandó jelleggel tartózkodott (ha a szóban forgó országnak nincsen ilyen jellegű törvénykezése, abban az esetben a Thrustmaster termék eredeti idejének vásárlásától számítva a szavatossági idő egy (1) év).

A fent meghatározottak ellenére, az akkumulátorok szavatossági ideje a vásárlástól számított hat (6) hónapon belül lejár.

Amennyiben a szavatossági idő alatt a termékben meghibásodást észlel, úgy azonnal lépjen kapcsolatba a Vevőszolgálattal és ők megmondják mit kell tennie. Ha a meghibásodást jóváhagyják, a terméket vissza kell vinnie a vásárlás helyszínére (vagy a Vevőszolgálat által kijelölt helyre).

A jótállás keretein belül, a vásárló hibás termékét a Vevőszolgálat vagy kicseréli, vagy megjavítja. Ha, a szavatossági időn belül a Thrustmaster termék javítás alatt áll legalább (7) hét napig, abban az esetben, a kiesett napok számával a szavatossági idő meghosszabbítható (ezt az időszakot az alábbiak szerint kell számolni: vagy attól a dátumtól kezdve amikor a vásárló panaszt tett vagy attól a dátumtól kezdve, amikor a termék javításra átadásra kerül, amennyiben ez a dátum nem esik egybe a panasztétel időpontjával). Ha az alkalmazandó jogszabályok megengedik, a Guillemot és a leányvállalatai (közvetett károkat is beleértve) egyaránt a Thrustmaster termék helyreállítására vagy annak a kicserélésére kell, hogy törekedjen. Ha az alkalmazandó jogszabályok megengedik, Guillemot a termék felhasználhatóságával és rendeltetésével kapcsolatban nem vállal garanciát.

A termékszavatosság nem érvényes: (1) ha a terméket bármilyen formában módosították, felnyitották, nem rendeltetészerűen használták, egyéb külső sérüléseknek tették ki, gondatlanul kezelték vagy normális mértékben elhasználódott és az ebből fakadó károk nem vezethetők vissza a termék gyári meghibásodásra (beleértve, de nem kizárólagosan azt az esetet, amikor a Thrustmaster terméket valamilyen nem a Guillemot által forgalmazott tápegységgel, akkumulátorral, töltővel vagy egyéb eszközzel használták); (2) ha a terméket nem csak saját használatra, hanem szakmai vagy kereskedelmi célokra is használták (pl.: játékszoba, tréning, versenyek); (3) ha a vásárló nem követte a Vevőszolgálat utasításait (4) szoftver hiba esetén. Arra más módon meghatározott jótállás érvényes; (5) fogyóeszközökre (olyan eszközök, amelyeket a termék élettartalma alatt kell cserélni. Pl.: eldobható elemek, fejhallgató vagy headset fülpárna); (6) kiegészítőkre (pl.: kábelek, tokok, tasakok, táskák, csukló rögzítők); (7) ha a terméket aukció során vásárolták meg.

A jótállás nem átruházható.

A vásárló törvényes jogaira nincs hatással a termékszavatosság, akármilyen törvények is vonatkoznak a saját országában megvásárolt termékekre.

További termékszavatossággal kapcsolatos rendelkezések

A szavatossági idő alatt, Guillemot semmiféle alkatrészt nem bocsájthat a vásárló részére, mivel csak a Vevőszolgáltatónak van kizárólagos joga ahhoz, hogy felnyisson és/vagy megszereljen akármilyen Thrustmaster terméket (kivételt képez az az eset, amikor a Vevőszolgálat külön írásos instrukciókkal látja el a vásárlót a szerelést illetően és az ehhez szükséges alkatrészeket is a rendelkezésére bocsájta pl.: ha nagyon egyszerű és titoktartást nem igénylő szerelési folyamatról van szó.)

Az innovációs ciklusra való tekintettel és a termék szabadalmának, illetve az üzleti titkának védelme érdekében, Guillemot nem tesz ígéretet olyan Thrustmaster termék javítására és nem szolgáltat hozzá alkatrészt, amelyek a termékszavatossága már lejárt.

Felelősségvállalás

Ha az alkalmazandó jogszabályok megengedik, a Guillemot Corporation S.A. (továbbiakban "Guillemot") és leányvállalatai nem vállalnak semmiféle felelősséget, ha a károk az alábbiak szerint keletkeztek: (1) a terméket bármilyen formában módosították vagy felnyitották ; (2) nem tartották be az összeszerelési utasítást; (3) a terméket nem rendeltetészerűen használták, egyéb külső sérüléseknek tették ki (pl.: nyomásnak), gondatlanul kezelték ; (4) a termék normális mértékben használdott el; (5) a terméket nem csak saját használatra, hanem szakmai vagy kereskedelmi célokra is felhasználták (pl.: játékszoba, tréning, versenyek). Amennyiben az alkalmazandó jogszabályok lehetővé teszik, úgy Guillemot és a leányvállalatai nem vállalnak felelősséget azon károkért, amelyek nem a termék minőségi vagy gyártási problémájából fakadnak. (beleértve, de nem kizárólagosan azt az esetet, amikor a károkat direkt vagy indirekt módon egy szoftver okozza vagy a Thrustmaster terméket valamilyen nem a Guillemot által forgalmazott tápegységgel, akkumulátorral, töltővel vagy egyéb eszközzel használták.)

THRUSTMASTER®

VEVŐSZOLGÁLAT

<https://support.thrustmaster.com>



SZERZŐI JOG

©2022 Guillemot Corporation S.A. Minden jog fenntartva. A Thrustmaster® a Guillemot Corporation S.A. bejegyzett védjegye. Gyártja és forgalmazza a Guillemot Corporation S.A.

Az AIRBUS logó és kereskedelmi és szolgáltatási védjegy az Airbus regisztrált védjegyei. Minden jog fenntartva. © Airbus 2022. Minden jog fenntartva. Az Airbus hivatalos licence.

A Microsoft, Xbox, az Xbox "Sphere" Design, az Xbox Series X|S, az Xbox One és a Windows 10/11 a Microsoft cégcsoport védjegyei.

Minden egyéb védjegy és márkanév igazolva van és az adott tulajdonos tulajdonában áll. A képek, termék megnevezések és jellemzők nem kötelező érvényűek. A tartalom, a design és egyéb specifikációk bármikor módosíthatók további értesítés nélkül és országonként eltérhetnek. A fényképek és illusztrációk nem kötelező érvényűek. Észak-Amerikában és Európában tervezve és Kínában gyártva.

KÖRNYEZETVÉDELMI AJÁNLÁS



* Az Európai Unió, az Egyesült Királyságon és Törökországon belül: ha a termék élettartama lejárt, ne dobja ki a háztartási szeméttel együtt, hanem adja le egy az elektromos és elektronikus berendezések hulladékának újrafelhasználásáért felelős gyűjtőpontra. (WEEE)

Ezt az alábbi ikon is jelöli, amit a terméken, használati útmutatón és csomagoláson is megtalál.



Az anyag sajátosságaitól függően, újrafelhasználásra lehet alkalmas. Az újrafelhasználással és azzal, hogy az elektromos és elektronikus berendezések hulladék megsemmisítésének a módját követi, jelentősen hozzájárul a környezete védelméhez. Lépjen kapcsolatba a helyi önkormányzattal, hogy hol található az Önhöz legközelebbi gyűjtőpont.

Nem Európai Uniói országokban: Vegye figyelembe a helyi elektromos és elektronikus hulladék újrafelhasználásra vonatkozó törvényt.

Őrizze meg a tájékoztatót. A színek és díszítés eltérhetnek.

Távolítsa el a műanyag rögzítőket és ragasztószalagokat a használatba vétel előtt.

www.thrustmaster.com

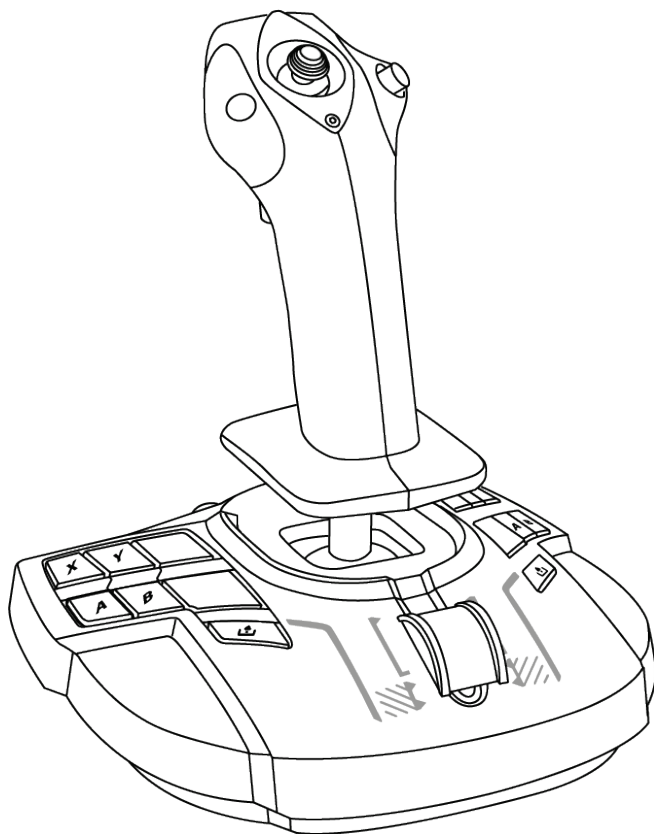
**EU-ban, a UK-ban és Törökországban alkalmazható*



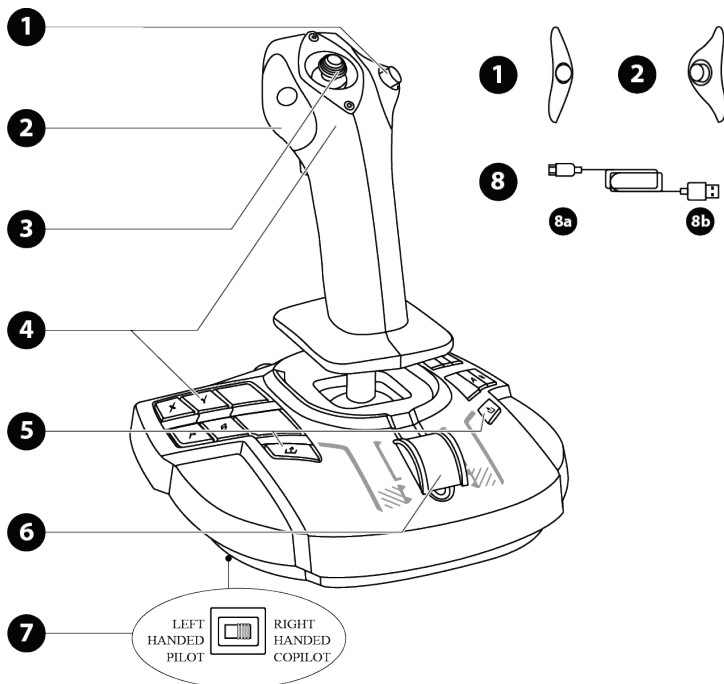
TCA SIDESTICK X AIRBUS EDITION

XBOX SERIES X|S – XBOX ONE – PC

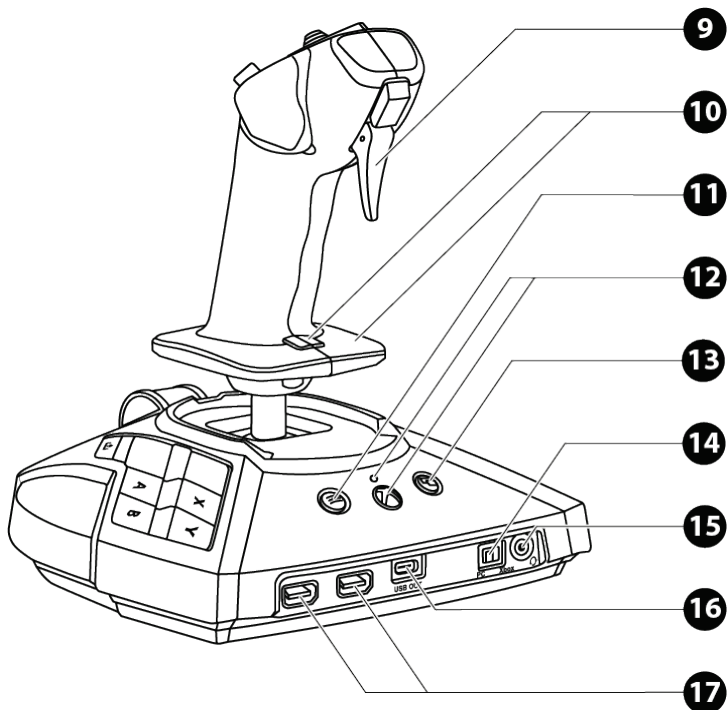
מדריך למשתמש



תכונות טכניות



- .1 מודולי לחצן ימני
- .2 מודולי לחצן שמאלי
- .3 מתג כיפה POV ("Point of View") רב-כיווני
- .4 21 לחצני פעולות ב-Xbox, 22 לחצני פעולות ב-PC
- .5 לחצני שיתוף (Xbox)
- .6 מצערת + לחצן וירטואלי אחד (רק ב-PC)
- .7 מתג בורר: LEFT HANDED – PILOT (שמאלי – טייס) / RIGHT HANDED – COPILOT (ימני – טייס-משנה)
- .8 כבל (b8) USB-A – (a8) USB-C



- .9 הדק דיגיטלי
- .10 שליטה בהגה הכיוון באמצעות ידית מסתובבת עם משען כף יד + לחצן נעילה
- .11 לחצן תפריט (Xbox)
- .12 לחצן + נורית Xbox
- .13 לחצן תצוגה (Xbox)
- .14 מתג בורר Xbox/PC
- .15 מחבר מיני-שקע 3.5 מ"מ למיקרופון, לאוזניות גיימינג*
- .16 יציאת USB-Type C
- .17 יציאות USB-Type A עבור TCA Quadrant Airbus Edition* או הגה כיוון TPR*

*נמכר בנפרד

הכרת הג'ויסטיק

טכנולוגיית דיוק בלעדית

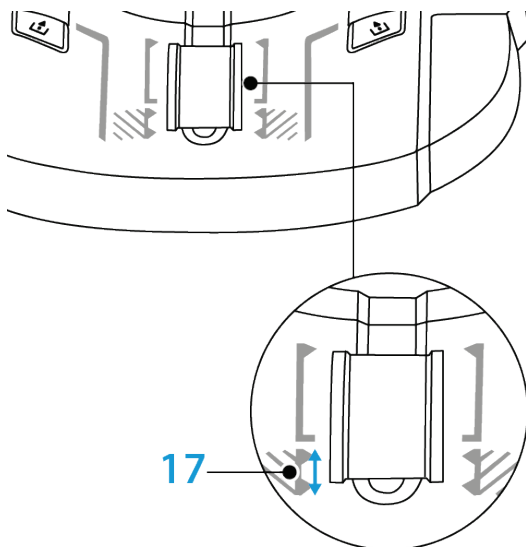
HallEffect AccuRate Technology :H.E.A.R.T

- ג'ויסטיק TCA Sidestick X Airbus Edition מצויד בטכנולוגיה שנותנת רמת דיוק גבוהה, עם:
- חיישנים מגנטיים תלת-ממדיים (אפקט Hall) על הסטיק;
 - מגנט: ללא חיכוך, לקבלת דיוק בלתי-מוגבל ויכולת תגובה בלתי רגילה שנמשכת לאורך זמן;
 - קפיץ סלילי בסטיק (2.8 מ"מ): למתח יציב, ליניארי וזורם במיוחד.

מצערת

הג'ויסטיק מצויד במצערת (6), שבאמצעותה קל לשלוט בדחף מנוע המטוס.

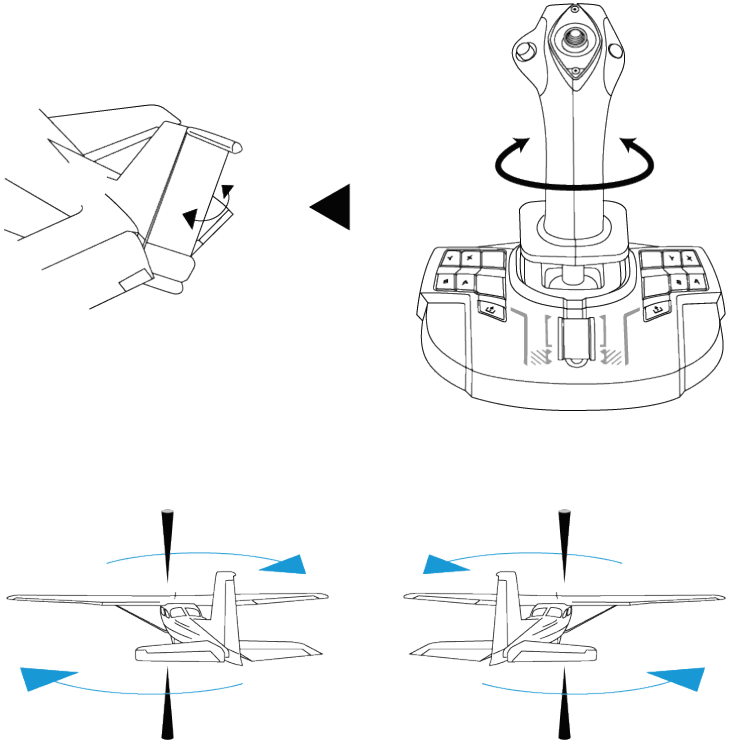
לחצן וירטואלי ב-PC בלבד (מספר 17 במיפוי PC) זמין ב-20 האחוז הראשונים של מהלך המצערת, על מנת להפעיל את מהפכי הדחף.



פונקציית הגה כיוון

הג'ויסטיק מצויד בפונקציית הגה כיוון (10). במטוס, הטייס משתמש בהגה הכיוון כדי לטובב את המטוס סביב הציר האנכי שלו (גורם למטוס לפנות שמאלה או ימינה).

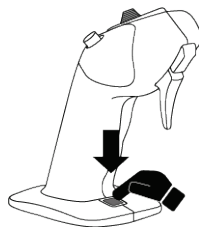
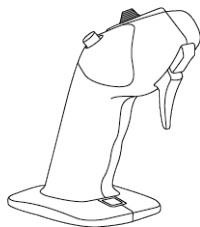
פונקציית הגה כיוון זו זמינה בג'ויסטיק, על ידי סיבוב (כלומר, הטיה) של הסטיק שמאלה או ימינה.



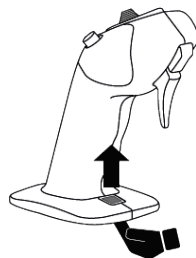
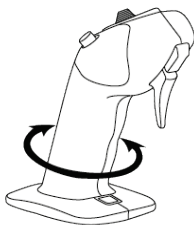
נעילה/ביטול נעילה של פונקציית הגה הכיוון

ניתן להשבית את פונקציית הגה הכיוון באמצעות לחצן הנעילה שבגב ידית הג'ויסטיק.

לחץ על לחצן זה כדי לנעול את ציר הגה הכיוון.



החזר לחצן זה למצב העליון כדי לבטל את הנעילה של ציר הגה הכיוון.



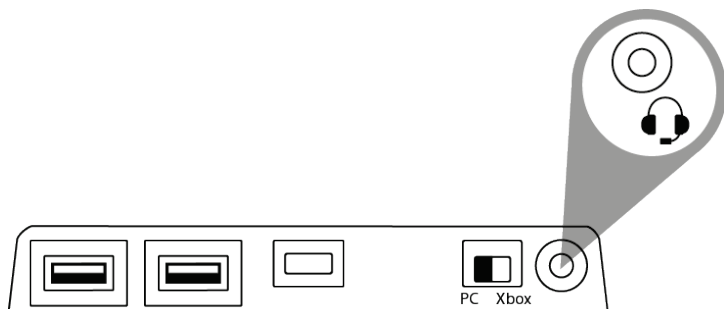
מתג כיפה POV ("POINT OF VIEW") רב-כיווני

הג'ויסטיק מצויד במתג כיפה POV, או "Point of View" (3), אשר מאפשר לראות מיד את כל המתרחש מסביב למטוס (במשחקים שבהם תכונה זו זמינה). כדי להשתמש בתכונה זו, פשוט היכנס לתפריט ההגדרה של המשחק, ותכנת את התצוגות השונות (תצוגה אחורית, תצוגה שמאלה, תצוגה ימינה וכן תצוגות חיצוניות) לכיוונים של מתג הכיפה POV.

אם תרצה, תוכל גם לשמור את מתג הכיפה POV לשימושים אחרים במקום זאת (ירי וכדומה).

מחבר מיקרופון לאוזניות גיימינג

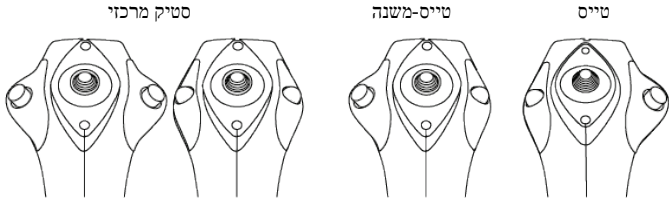
הג'ויסטיק כולל מחבר מיני-שקע 3.5 מ"מ למיקרופון (15), המאפשר להשתמש באוזניות גיימינג עם מיקרופון מובנה, לחוויה סוחפת יותר.



מערכת דו-ידית וכוונון המודולים

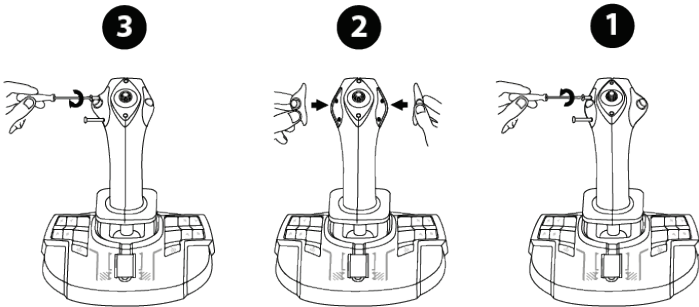
אחד היתרונות של TCA Sidestick X Airbus Edition הוא שמדובר בג'ויסטיק דו-ידי מלא, כלומר אפשר להתאים אותו בצורה מושלמת לכל שחקן, ימני או שמאלי.

כברירת מחדל, הג'ויסטיק מוגדר במצב טייס. יש ארבע תצורות אפשריות:



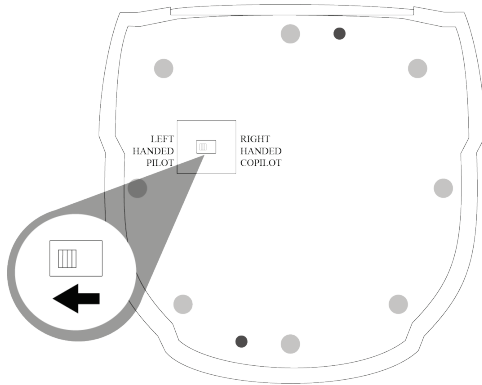
כדי לשנות את תצורת הג'ויסטיק:

1. באמצעות מברג קטן, שחרר והוצא בזהירות את שני הברגים של כל אחד ממודולי הלחצנים.
2. החלף את המודולים לפי התצורה המועדפת עליך.
3. הברג חזרה את הברגים, והדק אותם היטב.



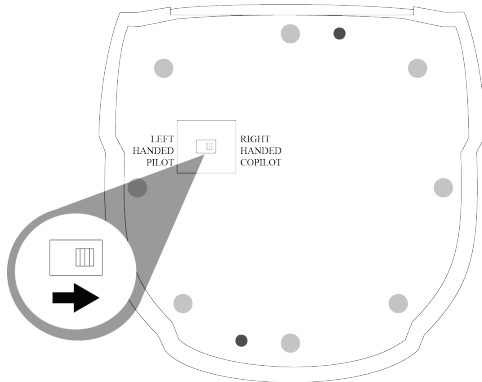
הגדרת הסטיק במצב שמאלי (טייס)

כדי להגדיר את הג'ויסטיק לפעולה במצב שמאלי (טייס), העבר את המתג (7) שמתחת לבסיס הג'ויסטיק למצב LEFT HANDED – PILOT לפני חיבור הג'ויסטיק. המוצר יזוהה בתור TCA Sidestick X Pilot.



הגדרת הסטיק במצב ימני (טייס-משנה)

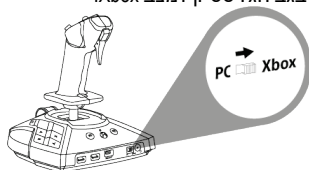
כדי להגדיר את הג'ויסטיק לפעולה במצב ימני (טייס-משנה), העבר את המתג (7) שמתחת לבסיס הג'ויסטיק למצב RIGHT HANDED – COPILOT לפני חיבור הג'ויסטיק. המוצר יזוהה בתור TCA Sidestick X Copilot.



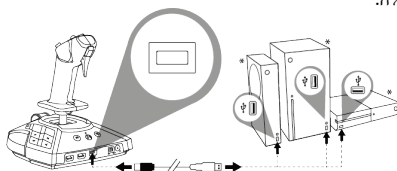
XBOX SERIES X|S/XBOX ONE

התקנה ב-XBOX SERIES X|S/XBOX ONE*

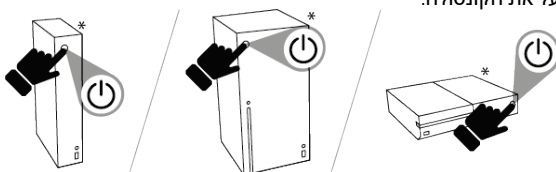
1. העבר את המתג (14) שבגב הג'ויסטיק למצב Xbox.



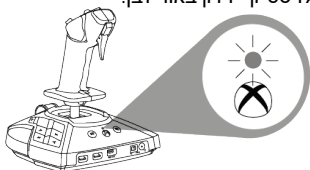
2. חבר את כבל ה-USB-A – USB-C (8) לציאת Type-C USB (16) בג'ויסטיק וליציאת Type-A USB בקונסולה.



3. הפעל את הקונסולה.



4. מחוון ה-LED של הג'ויסטיק יידלק באור לבן.



5. הפעל משחק מתאים, התומך במצב Flight Stick (סטיק טיסה).

עכשיו הכול מוכן למשחק!

*נמכר בנפרד

רשימת משחקי XBOX SERIES X|S/XBOX ONE תואמים

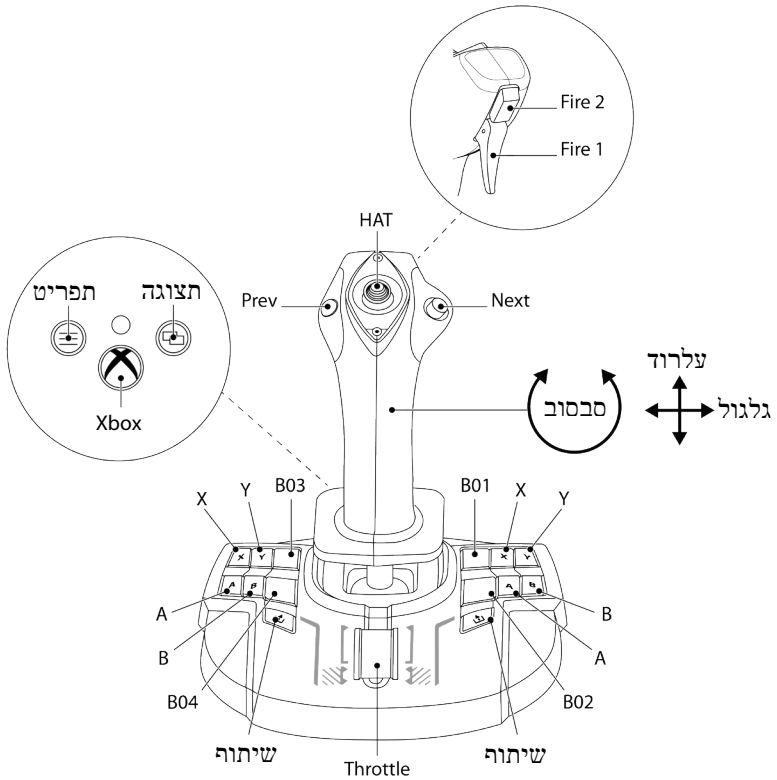
ב-Xbox Series X|S/Xbox One, *TCA Sidestick X Airbus Edition:

- תואם רק למשחקים שתומכים במצב Flight Stick.
- מזוהה במשחקים כג'ויסטיק אמיתי ולא כבקר משחק, ומאפשר מקסימום תגובה ודיוק, בנוסף לגישה לאפשרויות הג'ויסטיק שזמינות במשחקים אלו.

את רשימת המשחקים של Xbox Series X|S/Xbox One התואמים לג'ויסטיק אפשר למצוא באתר **TCA Sidestick X Airbus** (ג'ויסטיקים) Joysticks תחת <https://support.thrustmaster.com> **Edition**.

לרשימה זו יתווספו באופן שוטף משחקי Xbox Series X|S/Xbox One חדשים התואמים ל- TCA Sidestick X Airbus Edition.

*נמכר בנפרד



קישוריות TCA SIDESTICK X AIRBUS EDITION ב-XBOX SERIES X|S*/XBOX ONE*

TCA Sidestick X Airbus Edition כולל ארבעה צירים, אבל מאפשר התחברות ישירה למערכת המצערת TCA Quadrant Airbus Edition*, למדולי TCA Quadrant Add-On Airbus Edition* ולמערכת הייצוב TPR* בגב הג'ויסטיק.

רק ב-Xbox Series X|S*/Xbox One*, אפשר להבר ל-TCA Quadrant Airbus Edition* מערכת מצערת שנייה, כדי לתת לג'ויסטיק לטפל בתשעה צירים נוספים, לכל היותר.

ב-Xbox Series X|S*/Xbox One*, מכשירי Thrustmaster תואמים המחוברים דרך יציאת ה-A-Type USB יתמזגו עם TCA Sidestick X Airbus Edition.



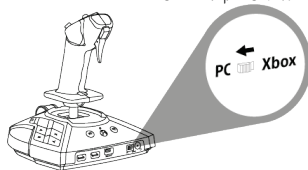
המכשירים היחידים שנתמכים ב-Xbox Series X|S*/Xbox One* הם TCA Quadrant Airbus Edition*, TCA Quadrant Add-On Airbus Edition* ומערכות הייצוב TPR* ו-TFRP*.

***נמכר בנפרד**

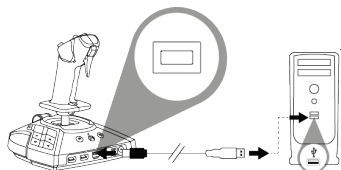
*התקנה ב-PC

1. עבור אל <https://support.thrustmaster.com>. לחץ על **Joysticks** (ג'ויסטיקים) / **TCA Sidestick X Airbus Edition**, ובחר באפשרות **Drivers** (מנהלי התקנים). הורד והתקן את מנהל ההתקן ל-PC ואת הממשק המותאם ללוח הבקרה של Windows.

2. העבר את המתג (14) שבגב הג'ויסטיק למצב PC.



3. חבר את כבל ה-USB-A – USB-C (8) ליציאת Type-C USB (16) בג'ויסטיק וליציאת Type-USB ל-PC.*

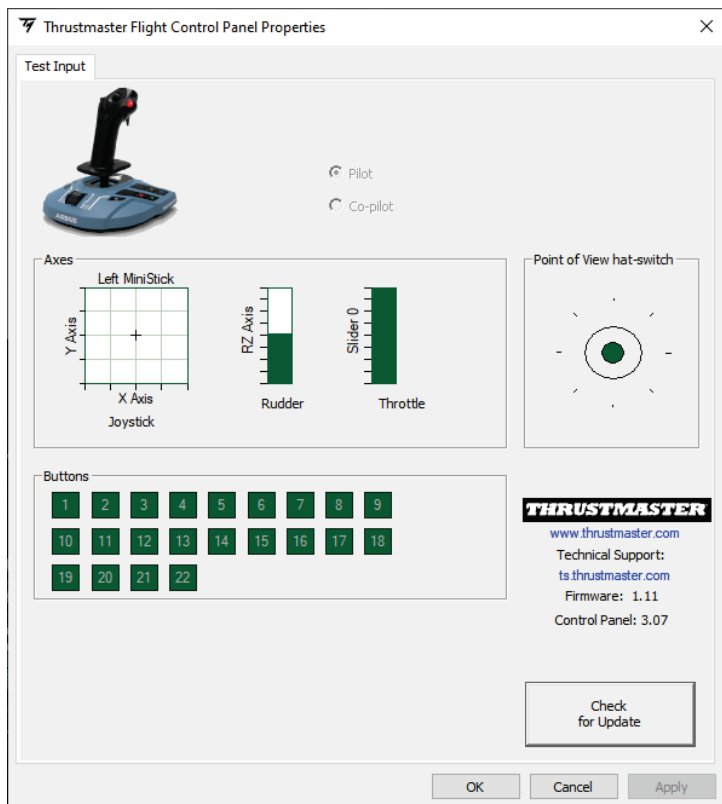


4. הפעל משחק תואם, התומך בצידוד היקפי מסוג HID לטיסה.

עכשיו הכול מוכן למשחק!

*נמכר בנפרד

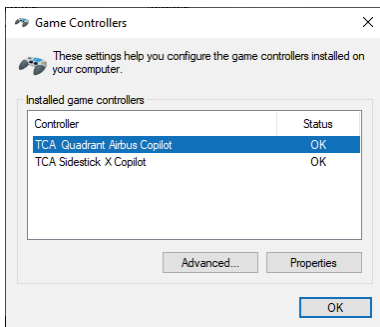
1. כדי לגשת לממשק של לוח הבקרה בהתאמה אישית, יש לבחור **Start** (התחל)/**Apps** (אפליקציות)/**Control Panel/Thrustmaster** (לוח הבקרה) (ב-Windows® 10/11).
 תיבת הדו-שיח **Game Controllers** (בקרי משחק) מוצגת. המכשיר מופיע במסך בשם **TCA Sidestick X** עם הסטטוס **OK** (תקין).
2. תיבת הדו-שיח **Game Controllers** (בקרי משחק), לחץ על **Properties** (מאפיינים) כדי לבחון ולהציג את כל התכונות.



קישוריות TCA SIDESTICK X AIRBUS EDITION ב-PC*

TCA Sidestick X Airbus Edition כולל ארבעה צירים, אבל מאפשר התחברות ישירה למערכת המצערת TCA Quadrant Airbus Edition*, למדולי TCA Quadrant Add-On Airbus Edition* ולמערכת הייצוב TPR* בגב הג'ויסטיק.

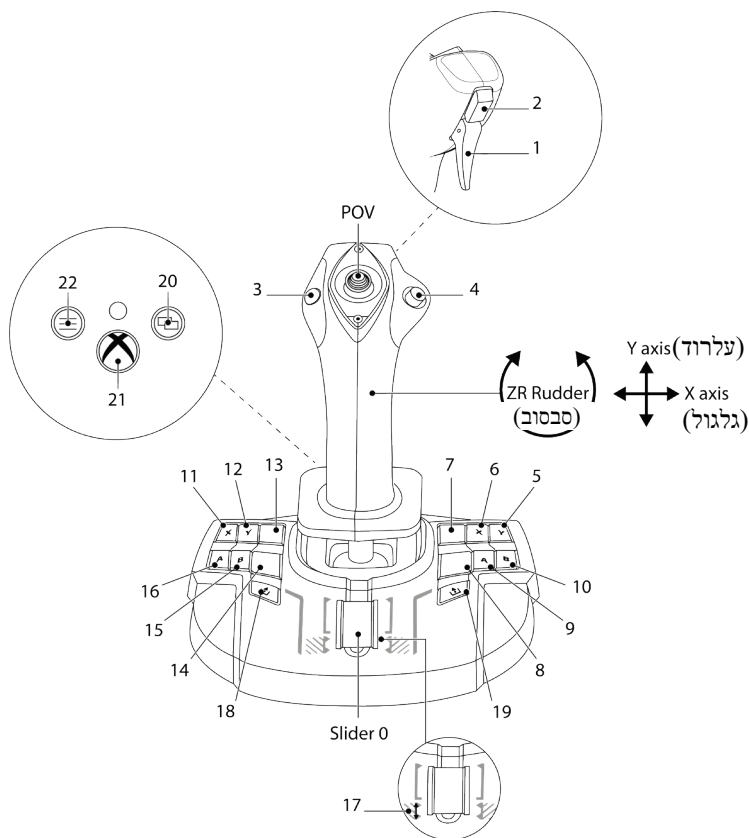
כש-TCA Quadrant Airbus Edition* ומערכת הייצוב TPR* או מערכת הייצוב TFRP* מחוברות, הן יופיעו בנפרד בתיבת הדו-שיח **בקרי משחק**, בתור מכשירים וירטואליים:



חיבור מערכת הייצוב TPR* או מערכת הייצוב TFRP*:

- יש להתקין את מנהל ההתקן כדי שהמכשירים יתפקדו נכון.
- אם מערכת הייצוב מחוברת לג'ויסטיק או למערכת המצערת שמחוברת לג'ויסטיק, שלושת הצירים של מערכת הייצוב יתמזגו עם המצערת הווירטואלית (TCA Quadrant Airbus Copilot).

*נמכר בנפרד

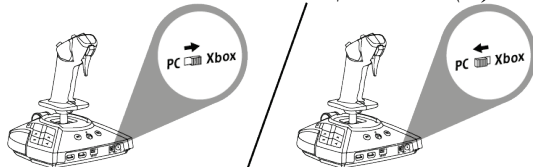


התקנת TCA SIDESTICK X AIRBUS EDITION בשילוב עם *TCA QUADRANT AIRBUS EDITION ומערכות הייצוב *TPR *TFRP-1

מצערת ומודולי תוספים

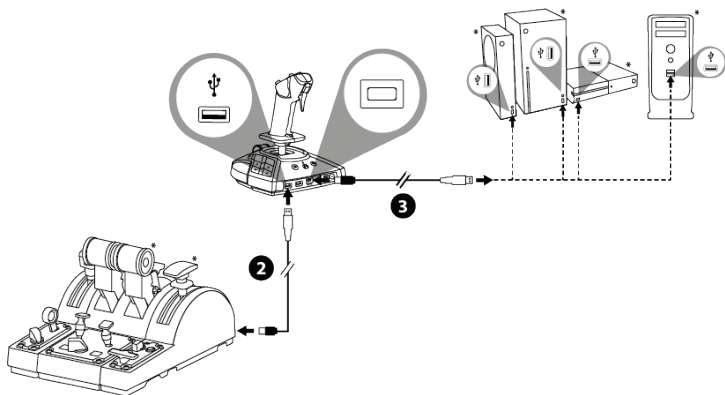
*TCA Quadrant Add-On Airbus Edition המשויכת למודולי *TCA Quadrant Airbus Edition מתחברת לג'ויסטיק.

1. העבר את המתג (14) שבגב הג'ויסטיק למצב Xbox או PC.



2. חבר כבל USB-C – USB-A (8) ליציאת ה-USB Type-C במצערת, וליציאת USB Type-A (17) בגב הג'ויסטיק.

3. חבר כבל USB-C – USB-A שני (8) ליציאת USB Type-C (16) בג'ויסטיק וליציאת USB בקונסולה או ב-PC.



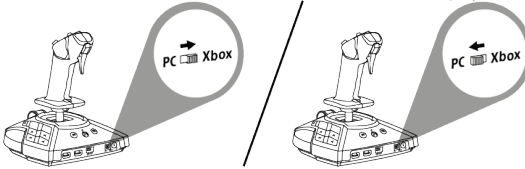
*נמכר בנפרד

מערכת ייצוב

שלושה צירים שמורים למערכות הייצוב *TPR ו-*TFRP.

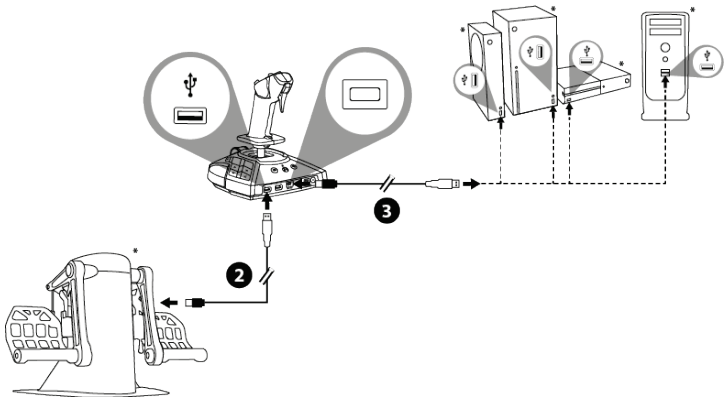
מערכת הייצוב *TPR מתחברת אל הג'ויסטיק.

1. העבר את המתג (14) שבגב הג'ויסטיק למצב Xbox או PC.



2. חבר את כבל USB-A – USB-B של מערכת הייצוב לציאת Type-B USB במערכת הייצוב, וליציאת Type-A USB (17) בגב הג'ויסטיק.

3. חבר את כבל ה-USB-C – USB-A (8) לציאת Type-C USB (16) בג'ויסטיק וליציאת Type-A USB בקונסולה או ב-PC.



ב-Xbox Series X|S/Xbox One- או אפשר לחבר מערכת ייצוב *TPR כאשר שני מערכות מצערת *TCA Quadrant Airbus Edition כבר מחוברות ל-TCA Sidestick X Airbus Edition.

*נמכר בנפרד

מערכת הייצוב *TFRP מתחברת למערכת המצערת בעת השימוש ב- TCA Quadrant Airbus Edition.*

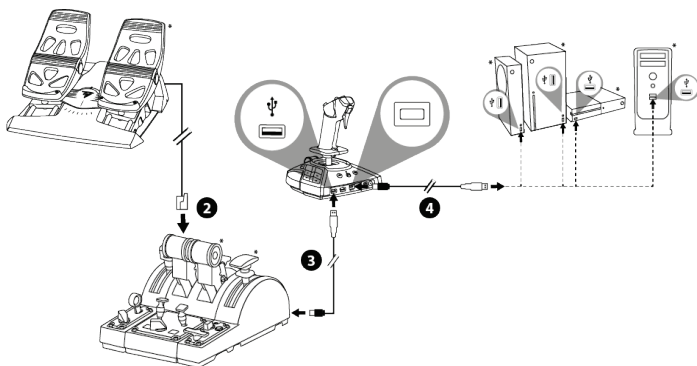
1. העבר את המתג (14) שבגב הג'ויסטיק למצב Xbox או PC.



2. חבר את מחבר RJ12 של מערכת הייצוב ליציאת RJ12 בצד האחורי של מערכת המצערת *TCA Quadrant Airbus Edition*.

3. חבר כבל USB-A – USB-C (8) ליציאת ה-USB Type-C במערכת המצערת, וליציאת USB A (17) בגב הג'ויסטיק.

4. חבר כבל USB-A – USB-C שני (8) ליציאת USB Type-C (16) בג'ויסטיק וליציאת USB בקונסולה או ב-PC.



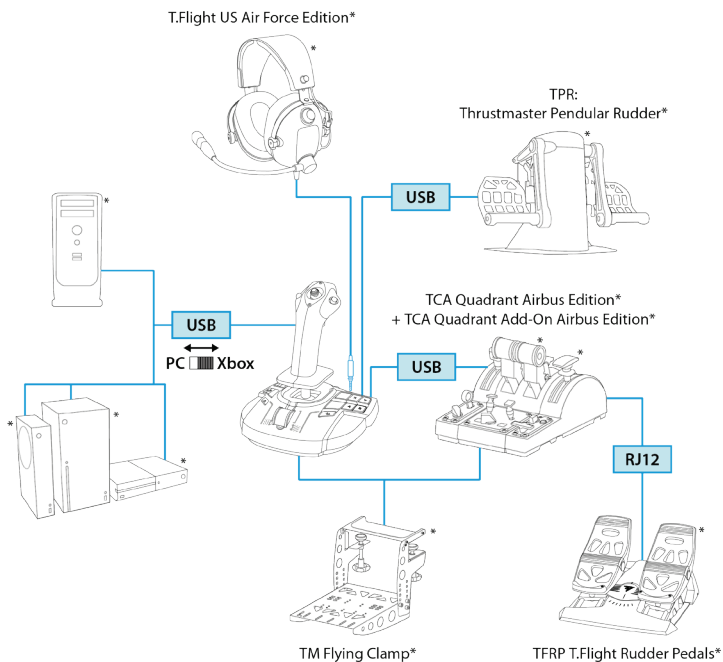
כיוול אוטומטי של הצירים:

- בעת החיבור של מערכת הייצוב לג'ויסטיק או למערכת המצערת, יש לוודא שציר הייצוב תמיד ממורכז. אין להניח כפות רגליים על מערכת הייצוב.
- שלושת הצירים של הדוושות מתכילים באופן אוטומטי לאחר כמה תנועות, ולאחר שהגיעו למעצורים הפיזיים של ציר הייצוב ושל שני צירי הבלימה הדיפרנציאליים.

*נמכר בנפרד

חיבור TCA SIDESTICK X AIRBUS EDITION לכל המוצרים התואמים

XBOX SERIES X|S – XBOX ONE – PC



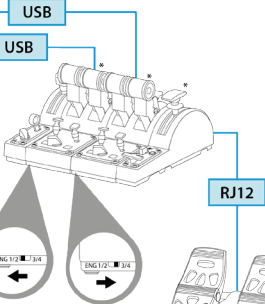
*נמכר בנפרד

XBOX SERIES X|S – XBOX ONE

T.Flight US Air Force Edition*



2 TCA Quadrant Airbus Edition*
+ TCA Quadrant Add-On Airbus Edition*

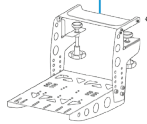
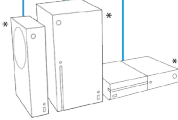


RJ12



TFRP T.Flight Rudder Pedals*

USB
PC Xbox

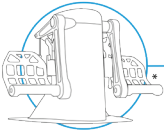
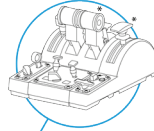


TM Flying Clamp*

נמנר בנפ77*

האקוויסטם של TCA

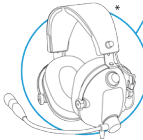
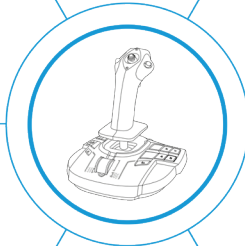
TCA Quadrant Airbus Edition*
+ TCA Quadrant Add-On Airbus Edition*



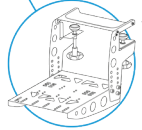
TPR:
Thrustmaster Pendular Rudder*



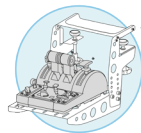
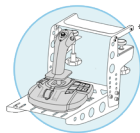
TFRP T.Flight Rudder Pedals*



T.Flight US Air Force Edition*



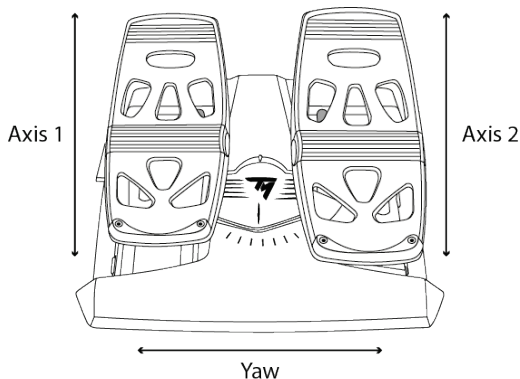
TM Flying Clamp*



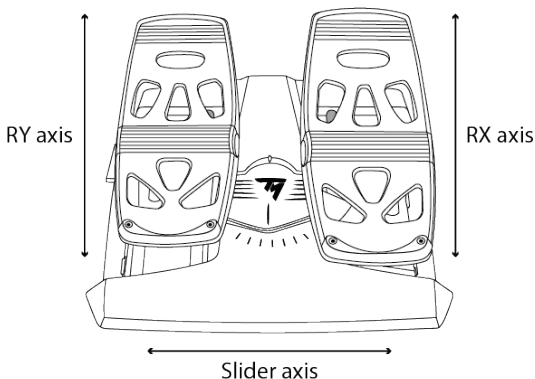
*נמכר בנפרד

TCA SIDESTICK X - המחוברת ל- *TFRP מיפוי למערכת ייצוב
TCA QUADRANT AIRBUS דרך AIRBUS EDITION
*EDITION

מיפוי XBOX



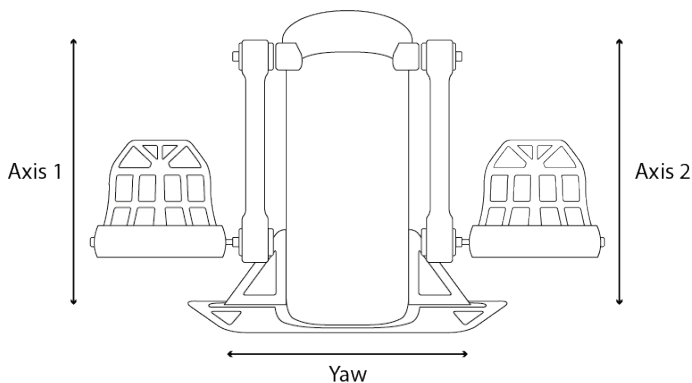
מיפוי PC



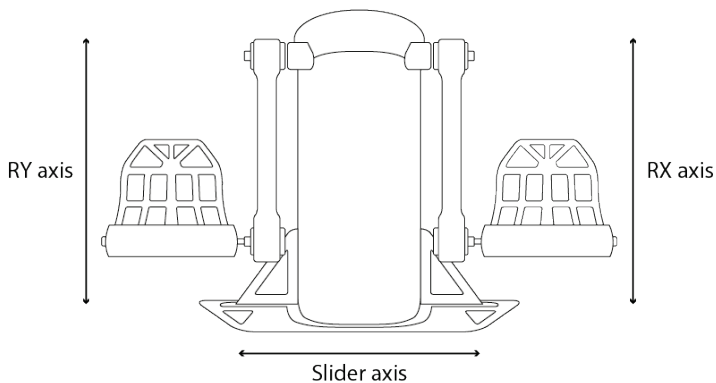
*נמכר בנפרד

מיפוי למערכת ייצוב TPR* המחוברת ל- TCA SIDESTICK X AIRBUS EDITION

מיפוי XBOX



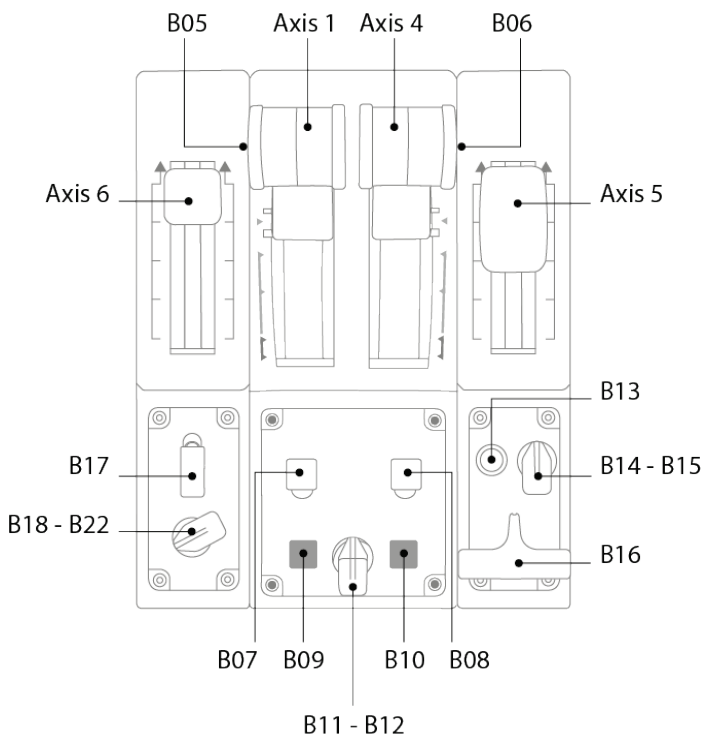
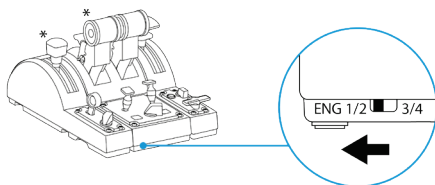
מיפוי PC



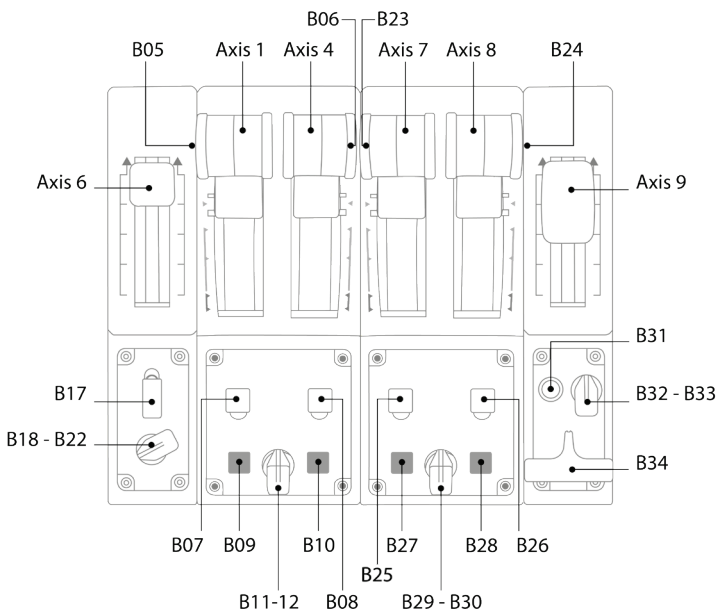
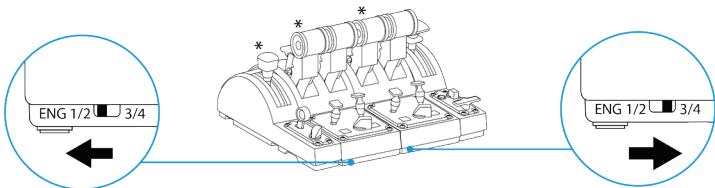
*נמכר בנפרד

TCA *TCA QUADRANT AIRBUS EDITION - ל- מִיפּוּי
***QUADRANT ADD-ON AIRBUS EDITION** - ל- הַמְחוּבְרוֹת
TCA SIDESTICK X AIRBUS EDITION

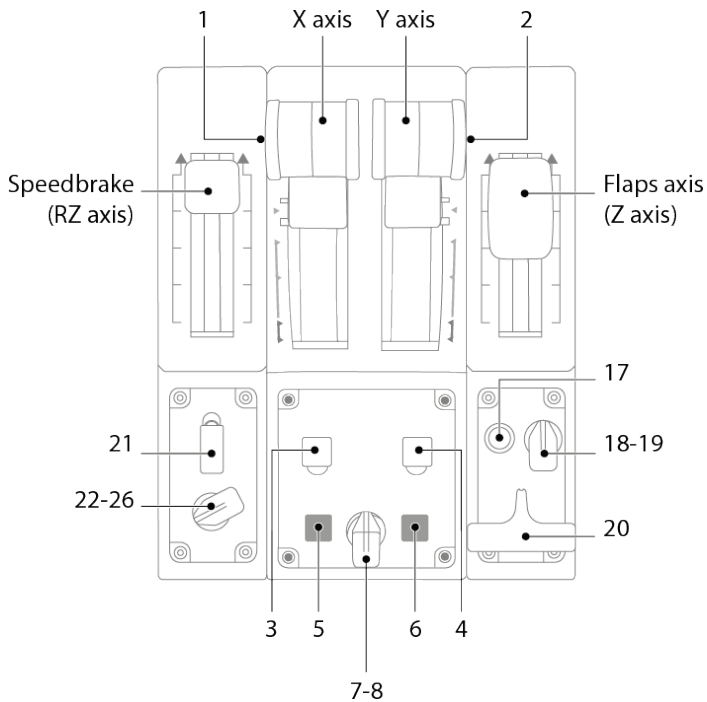
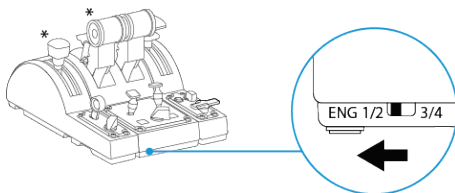
מִיפּוּי XBOX



*נמכר בנפרד



נמכר בנפרד*

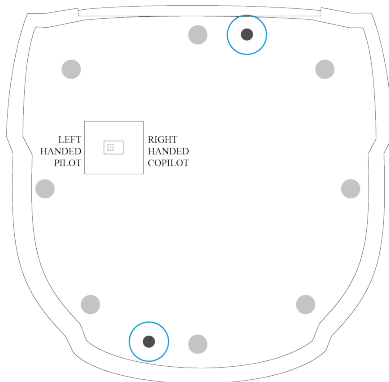


*נמכר בנפרד

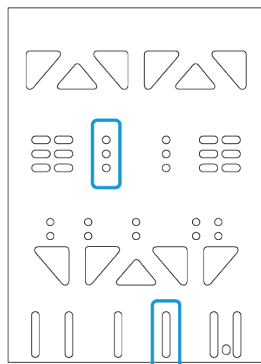
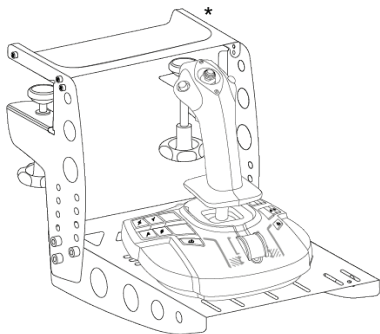
התקנה של TCA SIDESTICK X AIRBUS EDITION על TM FLYING CLAMP*

קוקפיט או תושבת נייחת אחרת

אפשר להשתמש בשני הנקבים הנמצאים בתחתית של TCA Sidestick X Airbus Edition כדי לחבר את הג'ויסטיק לתושבת נייחת באמצעות בורגי M6 (לא כלולים).



התקנה של TCA SIDESTICK X AIRBUS EDITION על TM FLYING CLAMP*:



*נמכר בנפרד

עדכון הקושחה של TCA SIDESTICK X AIRBUS EDITION

אפשר לעדכן את הקושחה הכלולה בג'ויסטיק, כדי ליהנות משיפורים במוצר.

כדי להציג את גרסת הקושחה של הג'ויסטיק ולעדכן אותה במידת הצורך: ב-PC, עבור אל <https://support.thrustmaster.com>. לחץ על **Joysticks** (ג'ויסטיקים) // **TCA Sidestick X Firmware/Airbus Edition** (קושחה), ולאחר מכן בצע את ההוראות ואת הליך ההורדה וההתקנה.



המכשירים הנתמכים היחידים הם מערכת המצערת TCA Quadrant Airbus Edition * בשילוב עם מודולי TCA Quadrant Add-On Airbus Edition * ומערכות הייצוב TPR ו-TFRP*.

עכשיו הכול מוכן למשחק!

***נמכר בנפרד**

תוכנת T.A.R.G.E.T לתכנות מתקדם (Thrustmaster Advanced pRogramming Graphical EdiTor)

T.A.R.G.E.T (Thrustmaster Advanced pRogramming Graphical EdiTor) היא חבילת תוכנה חזקה וחדשנית, שמאפשרת לשפר את רוב בקרי הטיסה מבית Thrustmaster ולשתף פרופילים עם קהילת Thrustmaster.

הורדה של T.A.R.G.E.T

עבור אל <https://support.thrustmaster.com> לחץ על **Joysticks** (ג'ויסטיקים) // **TCA Sidestick X Airbus Edition**, ולאחר מכן בחר באפשרות **Software** (תוכנה). הורד והתקן את תוכנת T.A.R.G.E.T לתכנות מתקדם.

התכונות העיקריות של T.A.R.G.E.T:

- אפשרות להגדרות תצורה שונות של הצירים.
- אפשרות לרמות תכנות שונות: Basic (בסיסי), Advanced (מתקדם) ו-Script (סקריפט).
- שימוש בשיטת 'גרור ושחרר'.
- היכולת לשלב את TCA Sidestick X Airbus Edition עם ג'ויסטיקים אחרים מבית Thrustmaster (*Hotas Cougar), (*Hotas Warthog), (*T.16000M), (*MFD Cougar Pack), גם תואם ל-T.A.R.G.E.T), ולאפשר זיהוי שלהם בתור מכשיר USB יחיד.
- גישה לפרופילים המתקדמים שיצרה קהילת Thrustmaster.



*נמכר בנפרד

הערות חשובות

בעת חיבור הג'ויסטיק, יש לשמור תמיד על הסטיק ועל ציר הייצוב ממורכזים ולמנוע תזווה שלהם, כדי למנוע בעיות אפשריות בכיול.

פתרון בעיות ואזהרה

הג'ויסטיק לא פועל נכון, או נראה שהוא לא מכייל נכון.

- ודא שהמתג הבורר (14) נמצא במצב הנכון (Xbox או PC) לפני חיבור של כבל ה-USB לקונסולה או ל-PC.
- כבה את הקונסולה או ה-PC, נתק את הג'ויסטיק, חבר מחדש, ולאחר מכן הפעל מחדש את המשחק.
- בעת חיבור הג'ויסטיק, יש לשמור על הסטיק ועל ציר הייצוב ממורכזים ולמנוע תזווה שלהם, כדי למנוע בעיות אפשריות בכיול.

לא הצלחתי להגדיר את הג'ויסטיק.

- בתפריט **Options** (אפשרויות)/**Controller** (בקר משחק)/**Gamepad** (שלט משחק) או **Joystick** (ג'ויסטיק) של המשחק, בחר את התצורה המתאימה, או הגדר מחדש את אפשרויות הבקר.
- מידע נוסף ניתן למצוא במדריך למשתמש או בעזרה המקוונת של המשחק.

הג'ויסטיק רגיש מדי או לא מספיק רגיש.

- TCA Sidestick X Airbus Edition מתכיל באופן אוטומטי אחרי כמה תנועות על הצירים השונים.
- בתפריט **Options** (אפשרויות)/**Controller** (בקר משחק)/**Gamepad** (שלט משחק) או **Joystick** (ג'ויסטיק) של המשחק אפשר להתאים את הרגישות ואת האזורים המתים של הבקר (אם אפשרויות אלה זמינות).

מחבר המיקרופון של TCA Sidestick X Airbus Edition לא פועל נכון.

- TCA Sidestick X Airbus Edition מצויד בהתקן שמע USB. כאשר מחברים התקן שמע USB ל-Windows בפעם הראשונה, עוצמת הקול מכוונת כברירת מחדל לאפס.
- כדי לפתור את הבעיה, יש לעבור להגדרות השמע ב-Windows עבור מחבר המיקרופון של TCA Sidestick X Airbus Edition ולהגדיר את רמת השמע כ-100%.

ב-PC, המכשירים המחוברים לא פועלים כהלכה.

- התקן את מנהל ההתקן ל-PC. עבור אל <https://support.thrustmaster.com>. לחץ על **Joysticks** (ג'ויסטיקים)/**TCA Sidestick X Airbus Edition**, ובחר באפשרות **Drivers** (מנהלי התקנים). הורד והתקן את מנהל ההתקן ל-PC ואת הממשק המותאם ללוח הבקרה של Windows.



מכשיר זה נועד לשימוש למטרות משחק ובידור בלבד. חל איסור מוחלט להשתמש במכשיר זה לפעילויות הכשרה מקצועית.

מידע בנושא אחריות לצרכן פרטי אחריות לצרכן

בעולם, Guillemot Corporation S.A., שמשרדה הרשומים נמצאים בכתובת France, 35571 Chantepie, B.P. 97143, Place du Granier (להלן "Guillemot") מתחייבת לצרכן, כי מוצר זה מבית Thrustmaster יהיה בטוח פגמים בחומרים ובטיב העבודה, למשך תקופת אחריות התואמת למגבלת הזמן להגשת תביעת תאימות בנוגע למוצר זה. במדינות האיחוד האירופי, תקופה זו תואמת לשנתיים (2 שנים) מיום המשלוח של המוצר מבית Thrustmaster. בארצות אחרות, תקופת אחריות תואמת למגבלת הזמן להגשת תביעת תאימות בנוגע למוצר זה מבית Thrustmaster, בהתאם לחוקים החלים בארץ בה הצרכן מתגורר בתאריך הרכישה של המוצר מבית Thrustmaster (אם לא קיימת תביעה שכזו בארץ המתאימה, תקופת האחריות תהיה שנה אחת (1) מתאריך הרכישה המקורי של המוצר מבית Thrustmaster).

על אף האמור לעיל, סוללות נטענות מכוסות בתקופת אחריות של שישה (6) חודשים מתאריך הרכישה המקורי.

אם נראה שהמוצר פגום במהלך תקופת האחריות, יש לפנות מיד לתמיכה הטכנית שתציין את ההליך על פיו יש לפעול. אם הפגם אושר, יש להחזיר את המוצר למקום הרכישה (או לכל מקום אחר שצוין על ידי התמיכה הטכנית).

במסגרת אחריות זו, המוצר הפגום של הצרכן יוחלף או יתוקן, בכפוף להחלטת התמיכה הטכנית. אם במהלך תקופת האחריות, המוצר מבית Thrustmaster ייפוצ כאמור, כל תקופה העולה על שבעה (7) ימים במהלכה המוצר הוצא מכלל שימוש תתווסף לתקופת האחריות שנתרת (תקופה זו מתחילה מתאריך הבקשה של הלקוח להתערבות או מהתאריך בו המוצר המדובר הפך זמין לשיפוץ, אם התאריך בו המוצר הפך זמין לשיפוץ מאוחר יותר מתאריך בקשת ההתערבות). אם הדבר מותר על פי החוקים החלים, האחריות המלאה של Guillemot וחברות הבת שלה (כולל האחריות לנזקים תוצאתיים) מוגבלת להחלפה או לתיקון של המוצר מבית Thrustmaster. אם הדבר מותר על פי החוקים החלים, Guillemot מתנעת מכל אחריות בנוגע לסחירות או התאמה למטרה מסיימת.

אחריות זו לא תחול: (1) אם המוצר הותאם, נפתח, שונה או ספג נזק כתוצאה משימוש בלתי הולם או שימוש לרעה, הזנחה, תאונה, בלאי רגיל, או כל סיבה אחרת שאינה קשורה לפגם בחומרים או בייצור (כולל, אך לא מוגבל לשילוב של המוצר מבית Thrustmaster עם כל אלמנט בלתי מתאים, כולל בייחוד ספקי כוח, סוללות נטענות, או כל אלמנט אחר שאינו מסופק על ידי Guillemot עבור מוצר זה); (2) אם המוצר שימש למטרה כלשהי שאינה שימוש ביתי, כולל למטרות מקצועיות או מסחריות (למשל, חדרי משחקים, הכשרה, תחרויות); (3) במקרה של חוסר ציות להוראות המסופקות על ידי התמיכה הטכנית; (4) על תוכנה, התוכנה המדוברת כפופה לאחריות ספציפית; (5) על חומרים מתכלים (רכיבים שיש להחליף לאורך חיי המוצר: סוללות חד פעמיות, אוזניות שמע, או רפידות האוזניים של האוזניות); (6) על אביזרים (למשל, כבלים, נרתיקים, תיקים, פאוז'ים, רצועות יד); (7) אם המוצר נמכר במכירה פומבית. האחריות אינה ניתנת להעברה.

הזכויות החוקיות של הצרכן בנוגע לחוקים החלים על מכירת סחורות לצרכן בארצו, לא יושפעו על ידי אחריות זו.

הוראות נוספות במסגרת האחריות

במהלך תקופת האחריות, Guillemot לא תספק, באופן עקרוני, חלקי חילוף כלשהם, משום שהתמיכה הטכנית היא הגוף היחיד המוסמך לפתוח ו/או לשפץ מוצרים מבית Thrustmaster (לא כולל הליכי שיפוץ שהתמיכה הטכנית עשויה לדרוש שהלקוח יבצע, באמצעות הוראות בכתב - לדוגמה, עקב פשטות הליך השיפוץ והיותו בלתי חסוי - ובאמצעות אספקת חלק(י) החילוף הנחוצים לצרכן, כאשר הדבר רלוונטי). עקב מחזורי החידושים שלה, ועל מנת להגן על סודות המידע והמסחר שלה, Guillemot לא תספק, באופן עקרוני, הודעות שיפוץ או חלקי חילוף עבור מוצר כלשהו מבית Thrustmaster אשר תקופת האחריות שלו פגה.

חבות

אם הדבר מותר על פי החוק החל, Guillemot Corporation S.A. (להלן "Guillemot") וחברות הבת שלה מתנערות מכל חבות שהיא עבור נזקים שגרמו על ידי אחד או יותר מהדברים הבאים: (1) המוצר הותאם, נפתח או שונה; (2) אי ציות להוראות ההרכבה; (3) שימוש בלתי הולם או שימוש לרעה, הזנחה, תאונה (למשל, פגיעה); (4) בלאי רגיל; (5) שימוש במוצר למטרה כלשהי שאינה שימוש ביתי, כולל למטרות מקצועיות או מסחריות (למשל, חדרי משחקים, הכשרה, תחרויות). אם הדבר מותר על פי החוק החל, Guillemot ובנות הבת שלה מתנערות מכל אחריות בנוגע לנזקים כלשהם שאינם קשורים לפגם בחומר או בייצור בהקשר למוצר (כולל, אך לא מוגבל לנזקים כלשהם הנגרמים באופן ישיר או עקיף על ידי תוכנה, או על ידי שילוב של מוצר מבית Thrustmaster עם רכיבים לא מתאימים, כולל בייחוד ספקי כוח, סוללות נבענות, מטענים או כל רכיב אחר שלא סופק על ידי Guillemot עבור מוצר זה).

THRUSTMASTER®

תמיכה טכנית

<https://support.thrustmaster.com>



זכויות יוצרים

©2022 Guillemot Corporation S.A. כל הזכויות שמורות. Thrustmaster® הוא סימן מסחרי רשום של Guillemot Corporation S.A. מיוצר ומופץ על ידי Guillemot Corporation S.A. AIRBUS, הלוגו וסימני המסחר והשירות שלה הם סימנים מסחריים רשומים של Airbus. כל הזכויות שמורות. © Airbus 2022. ברישיון רשמי של Airbus. Xbox, Microsoft, עיצוב ה"כדור" של Xbox, Xbox Series X|S, Xbox One ו-Windows 10/11 הם סימנים מסחריים של קבוצת החברות של Microsoft. כל שאר הסימנים המסחריים ושמות המותגים מוכרים בזאת ומהווים קניין רוחני של בעליהם. התוכן, העיצוב והמפרטים נתונים לשינויים ללא התראה מראש, ועשויים להשתנות ממדינה למדינה. התמונות והאיורים אינם מחייבים. מעוצב בצפון אמריקה ובאירופה, תוצרת סין.

המלצה בנוגע להגנה על הסביבה

באיחוד האירופי, בבריטניה ובטורקיה: עם סיום חיי השימוש שלו, אין להשליך מוצר זה ביחד עם פסולת ביתית רגילה, אלא יש להביאו לנקודת איסוף לסילוק פסולת חשמלית ואלקטרונית (WEEE) לצורך מיחזור. עובדה זו ניתנת לאימות באמצעות הסמל המופיע על המוצר, המדריך למשתמש או האריזה.



ניתן למחזר את החומרים, בהתאם לתכונותיהם. באמצעות מיחזור ודרכים אחרות לעיבוד פסולת חשמלית ואלקטרונית, באפשרותך לתרום תרומה משמעותית להגנה על הסביבה. למידע על נקודת האיסוף הקרובה אליך יש לפנות לרשויות המקומיות. לכל הארצות האחרות: יש לציית לחוקי המיחזור המקומיים לצידוד חשמלי ואלקטרוני.

יש לשמור מידע זה. הצבעים והקישוטים עשויים להשתנות. לפני השימוש, יש להסיר מהמוצר מהדקי פלסטיק ומדבקות.

www.thrustmaster.com

*רלוונטי באיחוד האירופי, בבריטניה ובטורקיה בלבד

