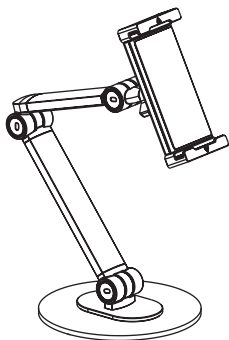


Installation Instructions



Tablet Mount for 4.7 to 12.9" tablets

Model: DMTBD413

Este manual está disponible en español en la página de Tripp Lite: tripplite.com

Ce manuel est disponible en français sur le site Web de Tripp Lite : tripplite.com

Русскоязычная версия настоящего руководства представлена на веб-сайте
компании Tripp Lite по адресу: tripplite.com

Dieses Handbuch ist in deutscher Sprache auf der Tripp Lite-Website verfügbar:
tripplite.com

WARRANTY REGISTRATION

Register your product today and be
automatically entered to win an ISOBAR®
surge protector in our monthly drawing!

tripplite.com/warranty



TRIPP·LITE

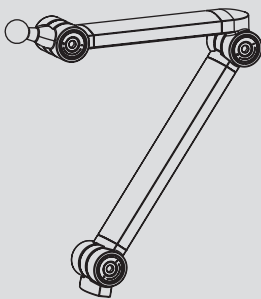
1111 W. 35th Street, Chicago, IL 60609 USA • tripplite.com/support

Copyright © 2022 Tripp Lite. All rights reserved.

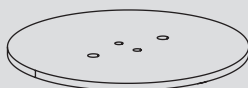
Component Checklist



A
x1



B
x1



C
x1

Package P



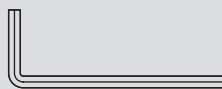
D
x1



E
x2



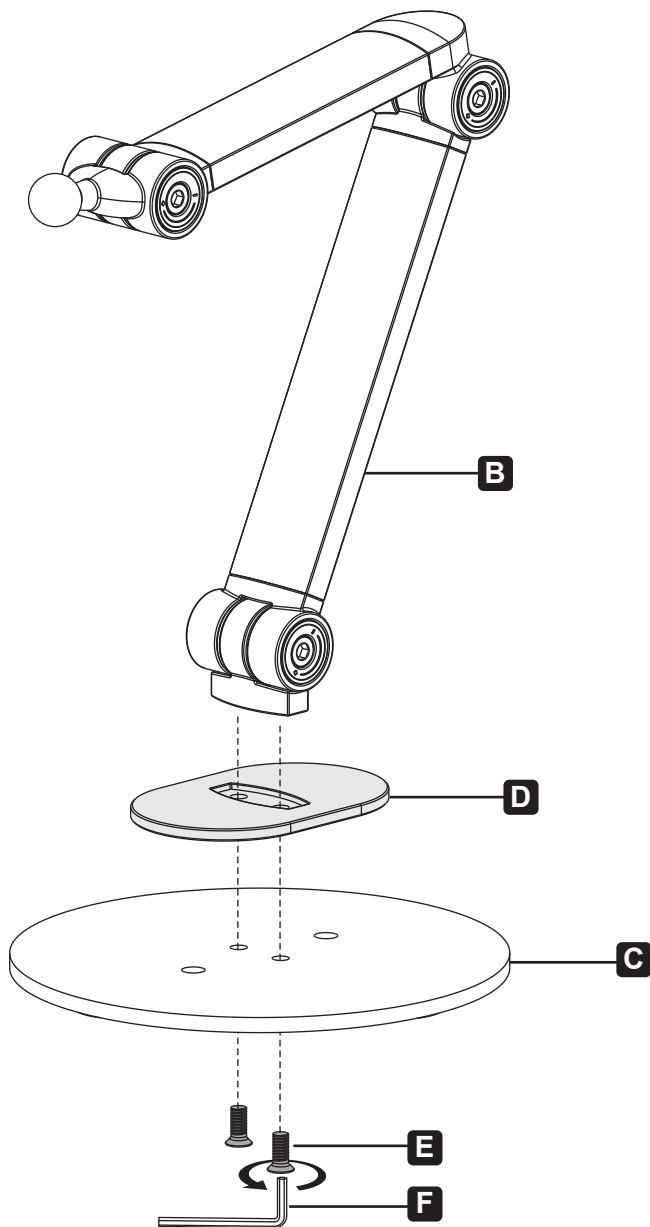
F
x1



G
x1

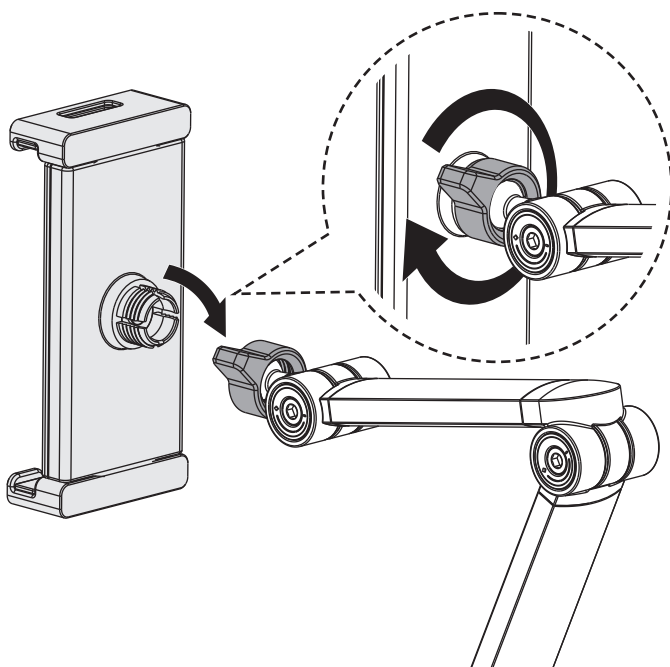
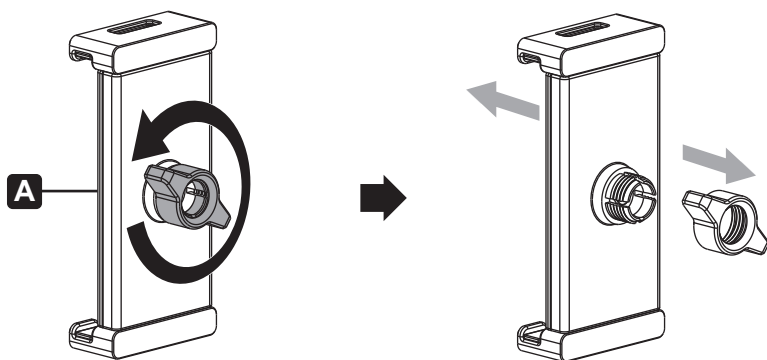
Installation

1



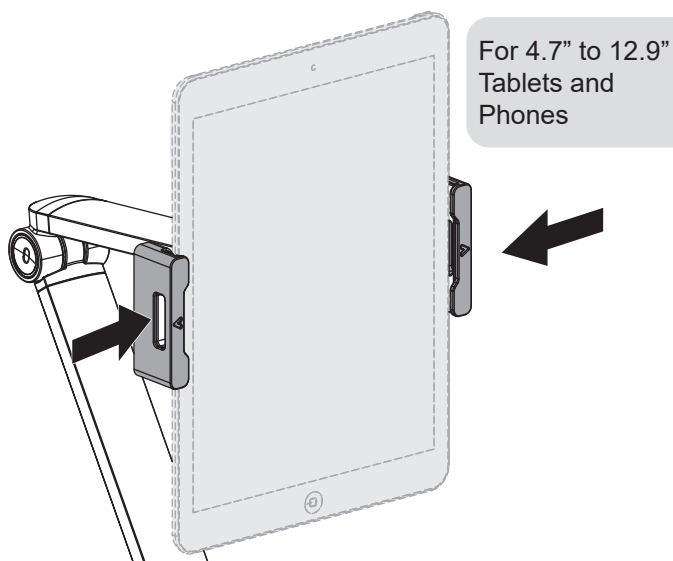
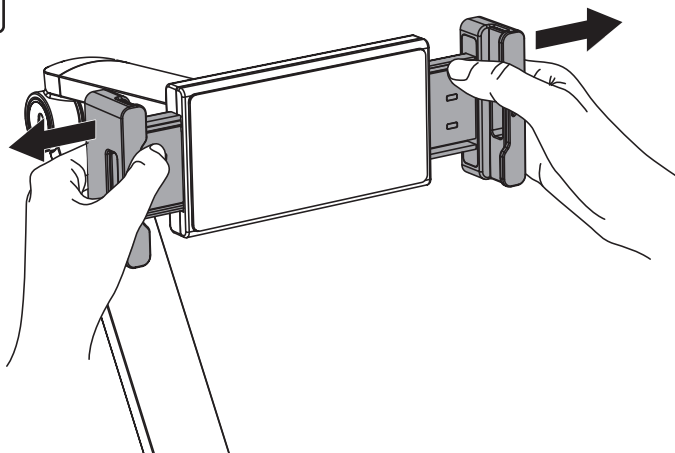
Installation

2



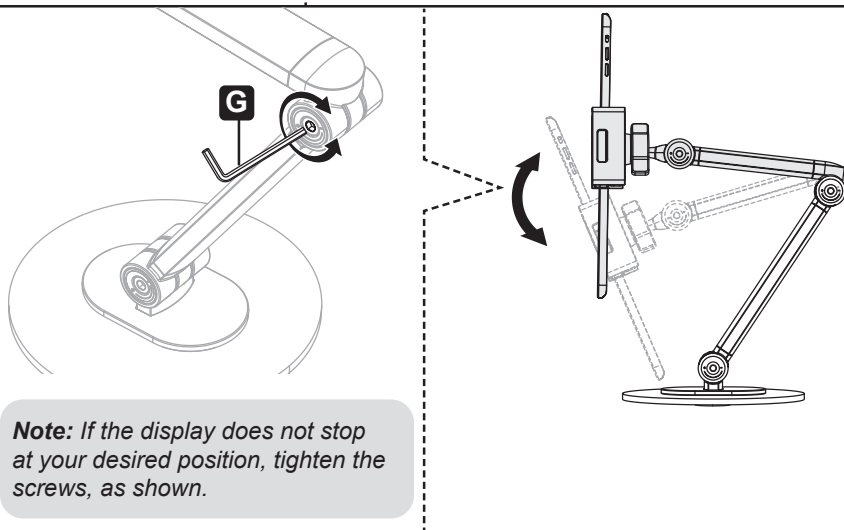
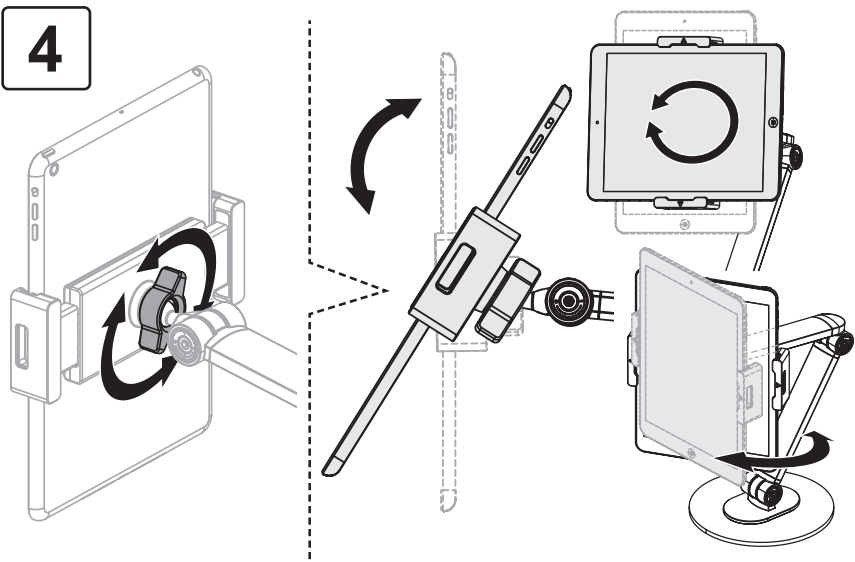
Installation

3



Installation

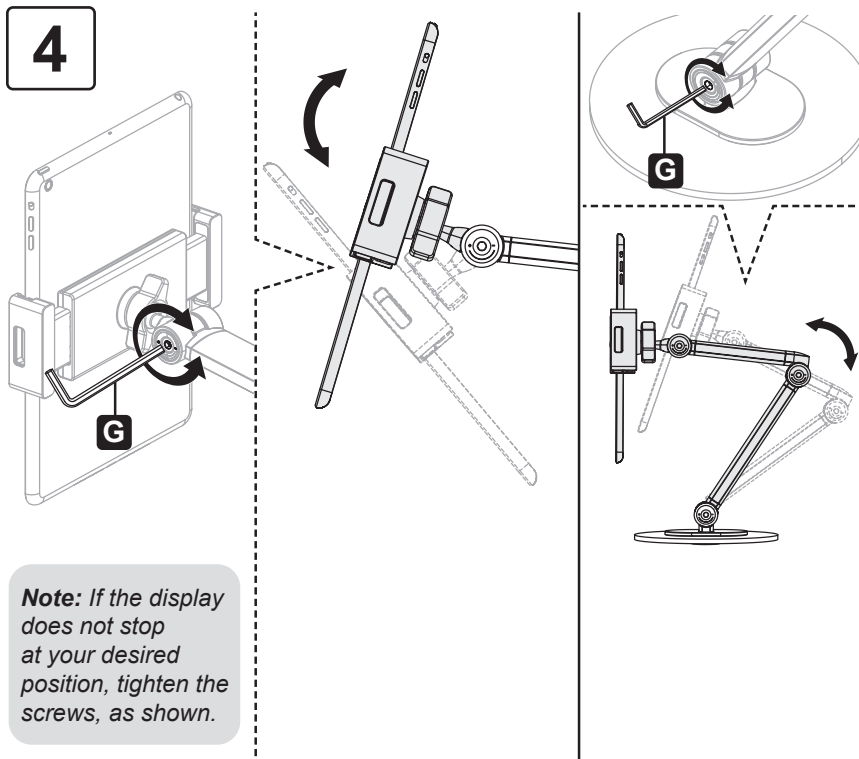
4



Note: If the display does not stop at your desired position, tighten the screws, as shown.

Installation

4





1111 W. 35th Street, Chicago, IL 60609 USA • tripplite.com/support