

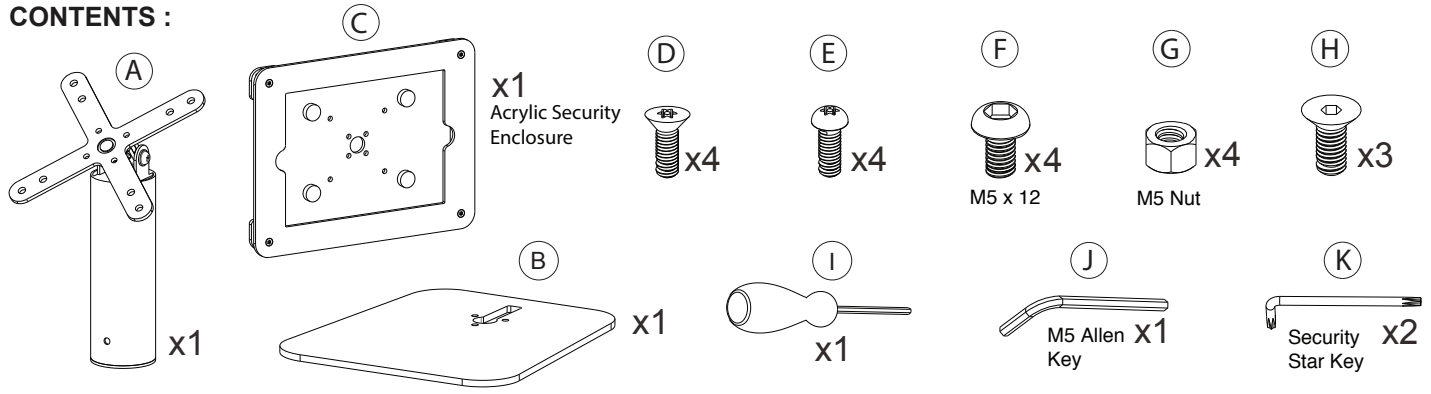


Articulating Sleek Desk Mount Arm w/ Security Enclosure

PAD-VPOS1W

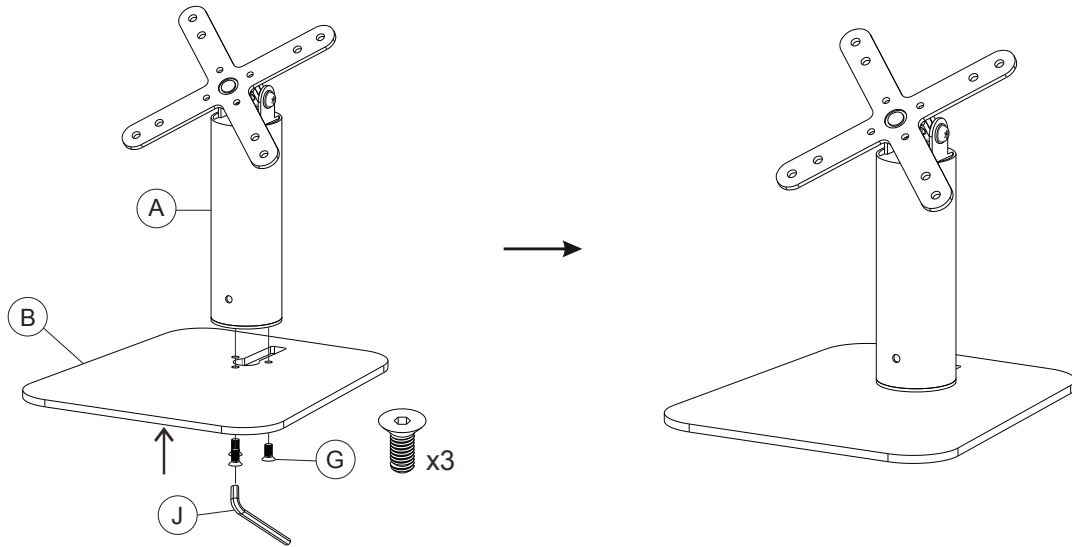
INSTALLATION - MANUAL

CONTENTS :



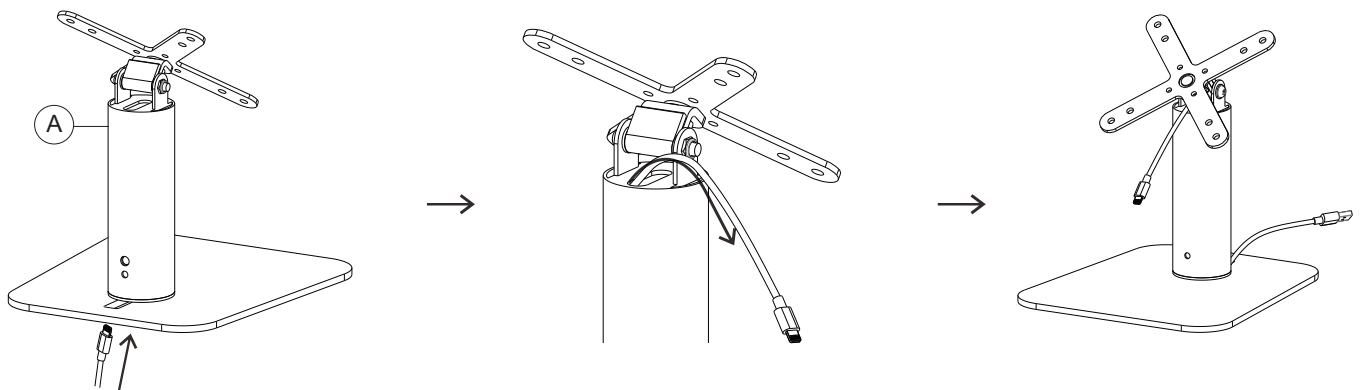
INSTALLATION:

1. Base installation to main body :



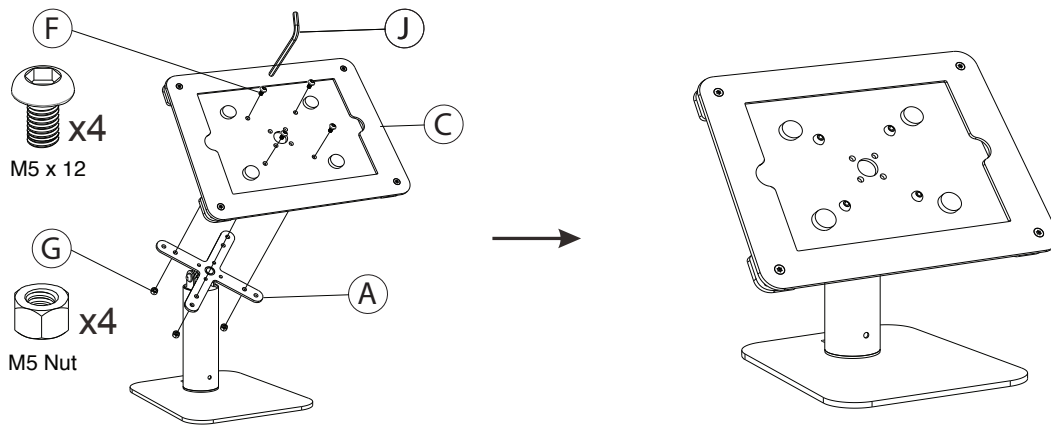
1A. Align holes from base (B) to the holes of main body (A) and turn in screws (G) using the provided tool (J) until securely tightened.

2. Cable routing :



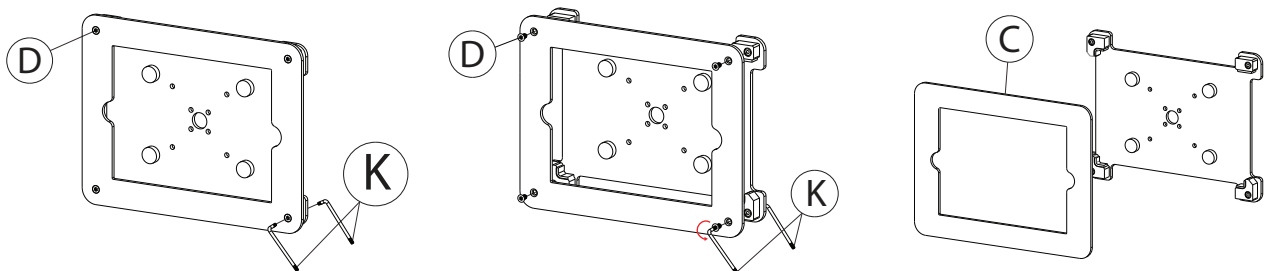
2A. Cable route by fishing the wire through the openings starting at the base and then through main body. Then attach to device, as shown above.

3. Attaching enclosure to main body :



3A - Align enclosure VESA holes (C) to VESA plate holes of main body (A). Using provided tool (J), rotate in screws (F) from above while holding hex nut (G) from behind with your hands. Rotate until securely tightened.

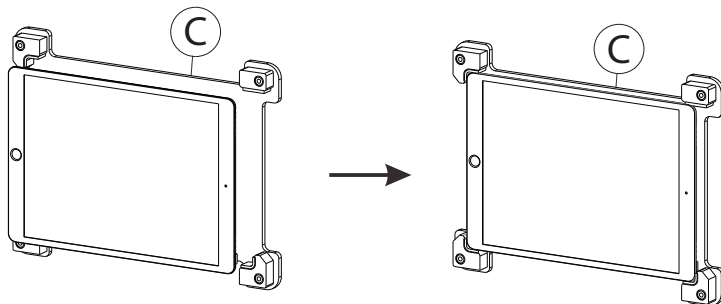
4. Setting up device and enclosure :



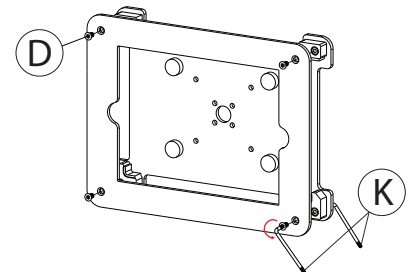
4A. Align the security star keys x2 (K) and insert it one in the front screw (D) and one in the Back screw (E) as shown.

4B. While holding the back security star key (K) tight in place. Turn the front security star key (K) counter clock-wise until all 4 Screws (D) are unscrewed.

4C. Separate front part of enclosure (C) as shown.

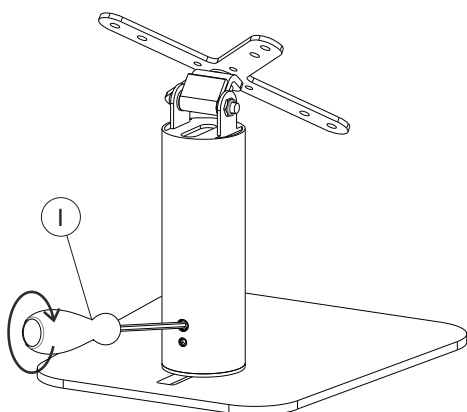


4D. Using one of the compatible listed tablets, insert into the foam adapters for a secure and tight fit. Insert tablet in back part of enclosure (C) as shown. Watch out orientation of tablet.



4E. While holding the back security star key (K) tight in place. Turn the front security star key (K) clock-wise until all 4 Screws (C) are screwed.

5. Adjusting body rotation :



5A. Turn Clockwise the back top screw of main body (A) with provided tool (I) (as shown) to tighten and secure in place. Loosen as needed.

Adjustable angles :



Rotate and tilt to desired angle and position as needed.