

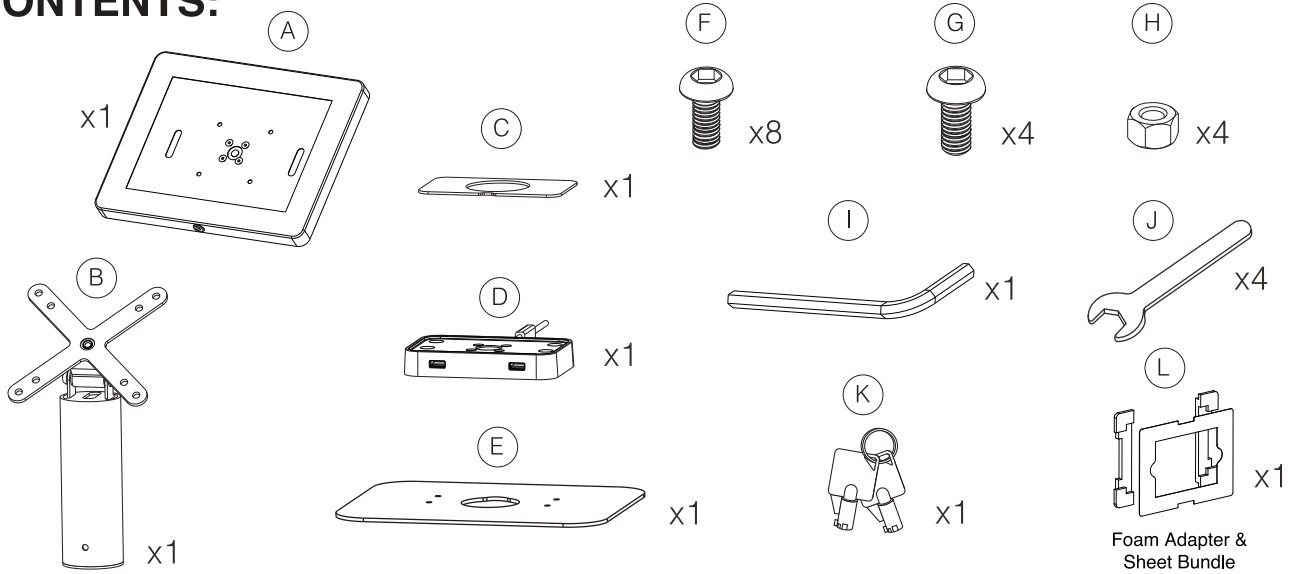


Desk Mount with Integrated 2 Port USB Hub w/ Security Enclosure

PAD-USBPARA / PAD-USBPARAW

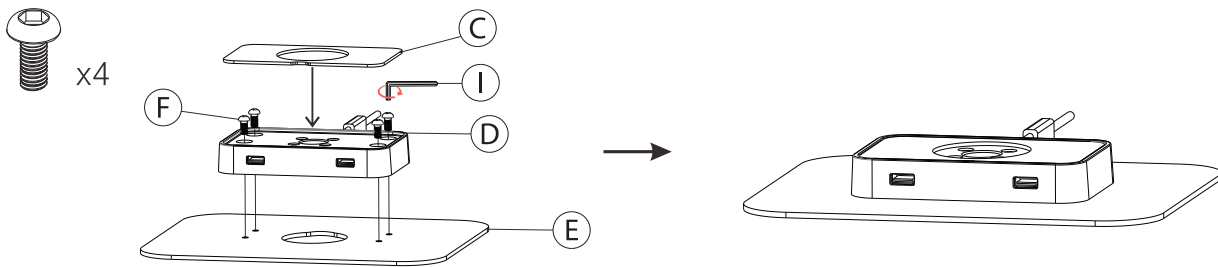
INSTRUCTION - MANUAL

CONTENTS:



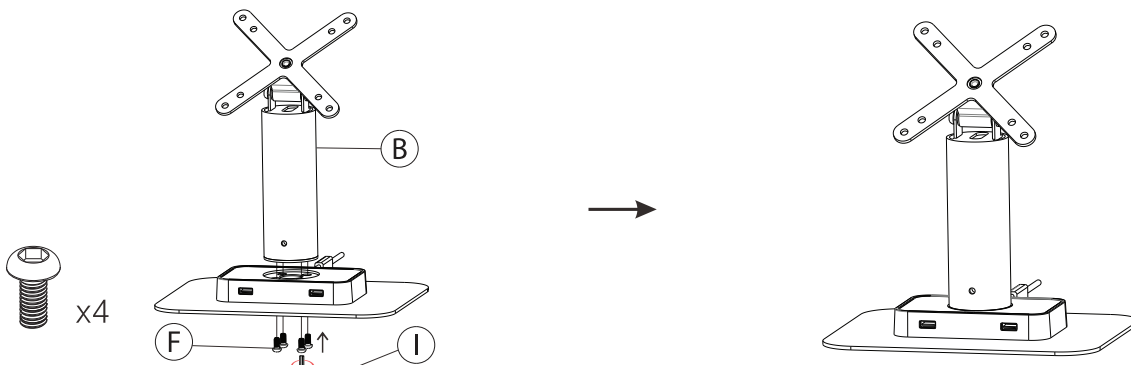
INSTALLATION:

1. Installing desk mount base platform components :



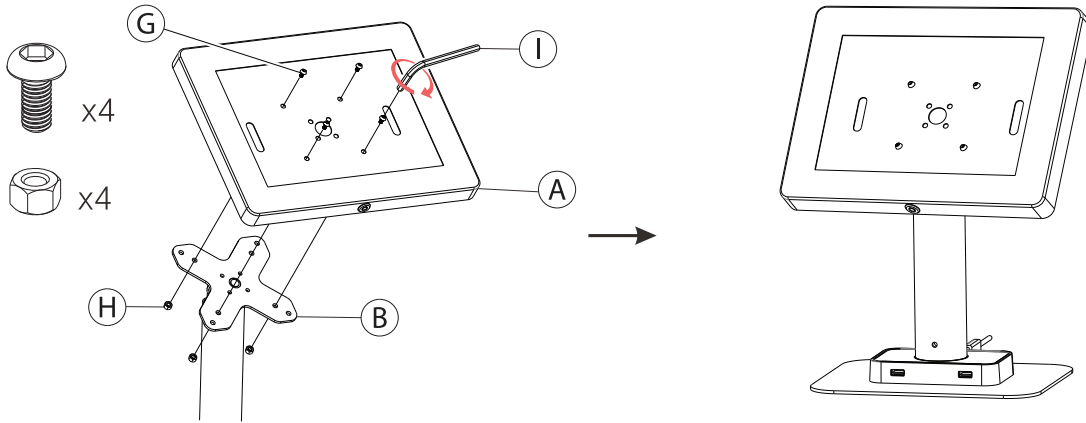
1A. Align plate holes (E) with usb hub (D) and turn in screws (F) with provided allen tool (I), then put in lid (C). As shown above.

2. Installing desk mount main body :



2A. Align assembled main kiosk to VESA pole (B) and turn in screws (F) using allen tool(I) until securely tightened. Shown above.

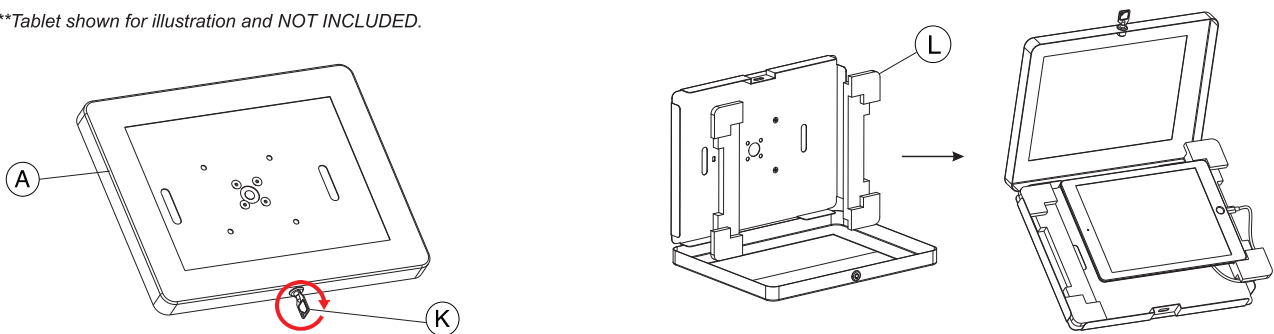
3. Mounting enclosure to VESA plate :



3A. Align enclosure holes (A) to VESA plate holes (B) and turn in screws (G) with provided allen tool (I) while holding the hex nut (H) from behind. As shown above.

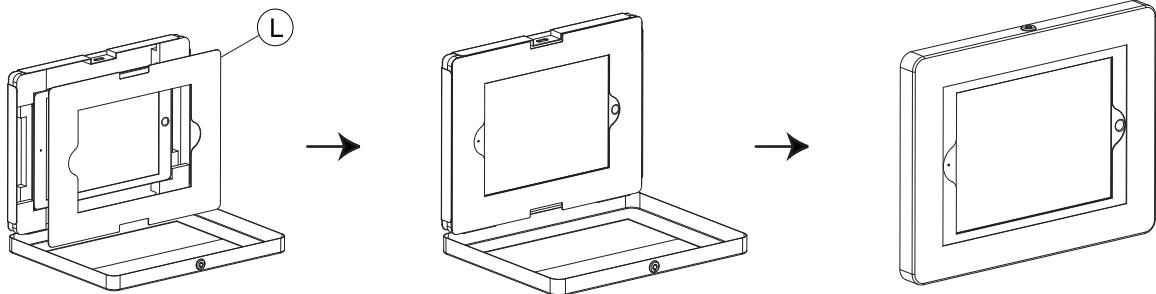
4. Setting up Device & Enclosure :

****Tablet shown for illustration and NOT INCLUDED.**



4A. Lock or unlock your tablet enclosure with security key (K) as shown.

4B. Find the appropriate size foam padding (L) for the tablet you wish to use. Make sure device is compatible for the enclosure. Lay in device and connect any cables/cords as needed.



4C. If needed, lay-in correct included masking insert (L). Close and lock enclosure (look step 4A) afterwards and you're set.

View orientations :



Setup enclosure portrait or landscape mode and tilt up and down to desired view.