

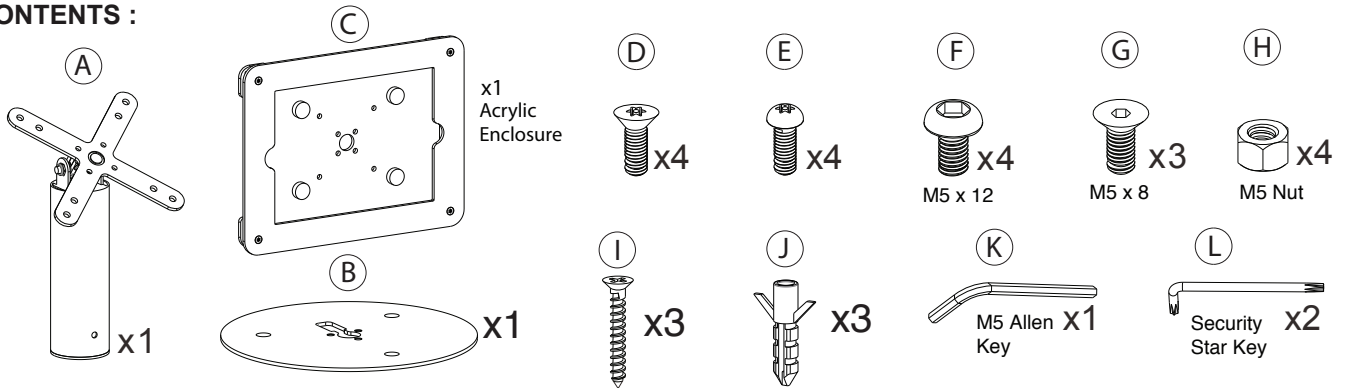


Rotating Desk Mount with Acrylic Security VESA Enclosure

PAD-HSKSBAE / PAD-HSKSWAE

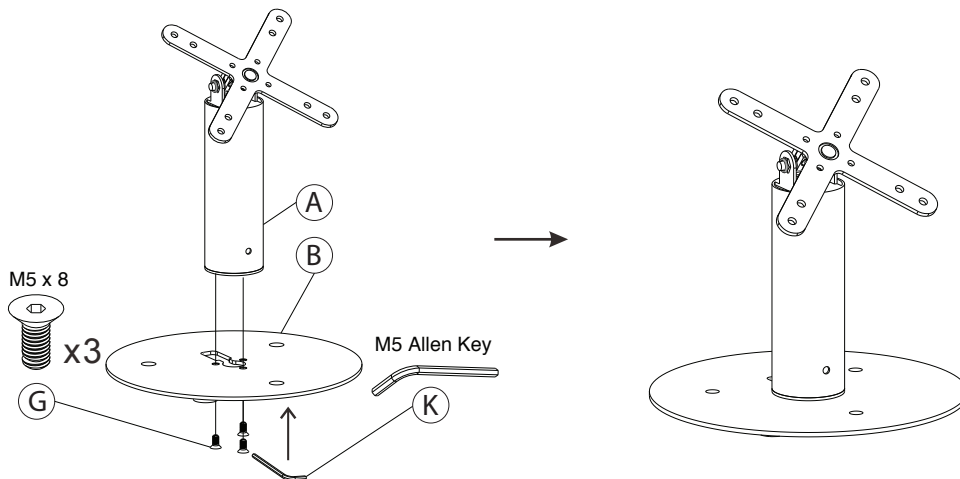
INSTALLATION - MANUAL

CONTENTS :



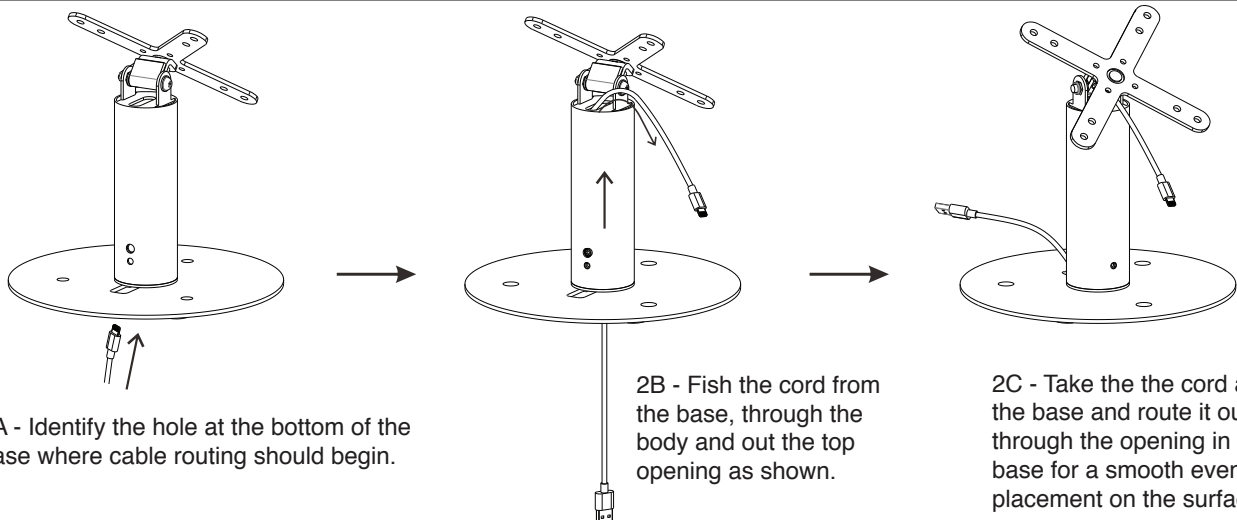
INSTALLATION:

1. Assembling base to body :



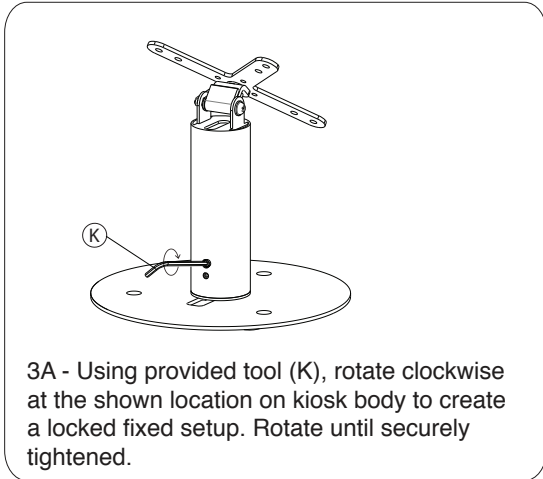
1A - Align holes at the base (B) with the holes on the base of the body (A). Rotate in screws (G) with tool provided (K) until securely tightened.

2. Setting up cable routing :

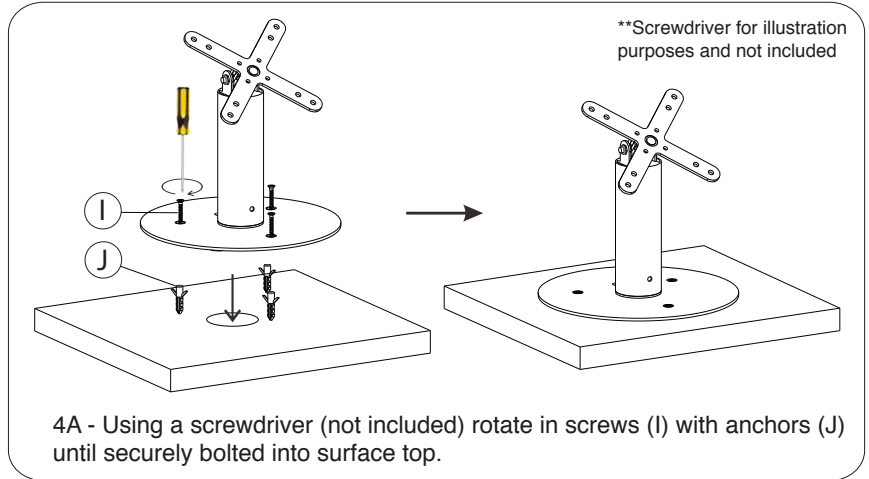


3. (Optional) Fasten to create a fixed setup:

4. (Optional) Mounting to surface top :



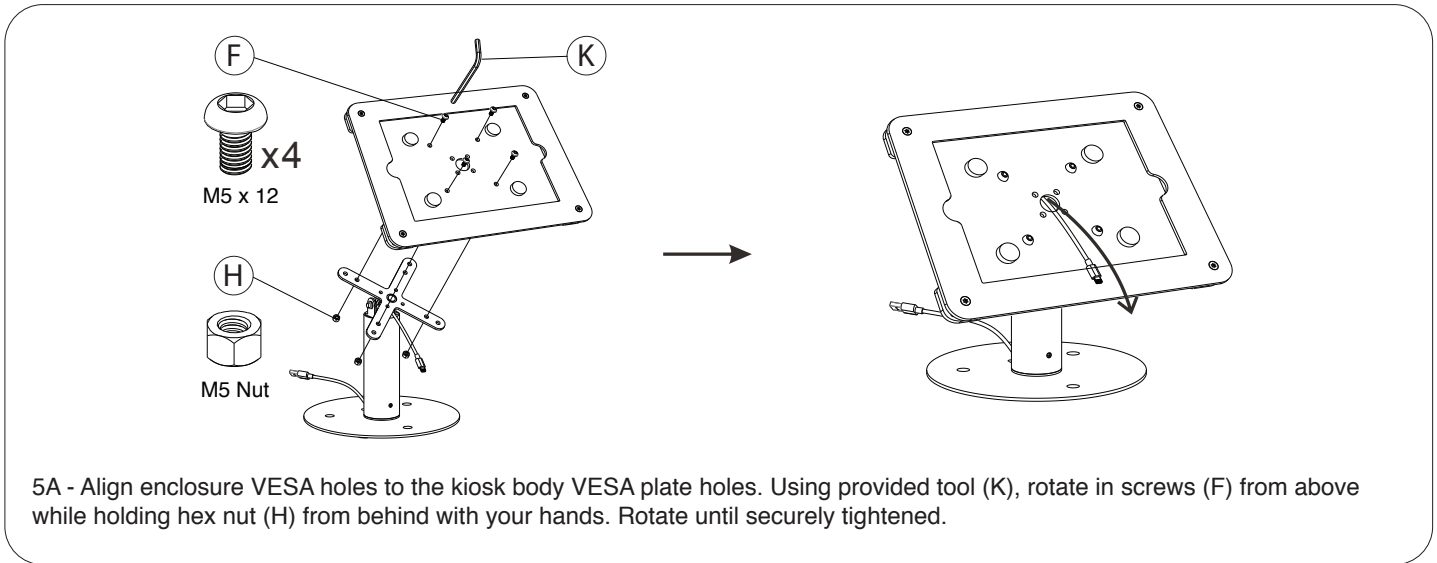
3A - Using provided tool (K), rotate clockwise at the shown location on kiosk body to create a locked fixed setup. Rotate until securely tightened.



4A - Using a screwdriver (not included) rotate in screws (I) with anchors (J) until securely bolted into surface top.

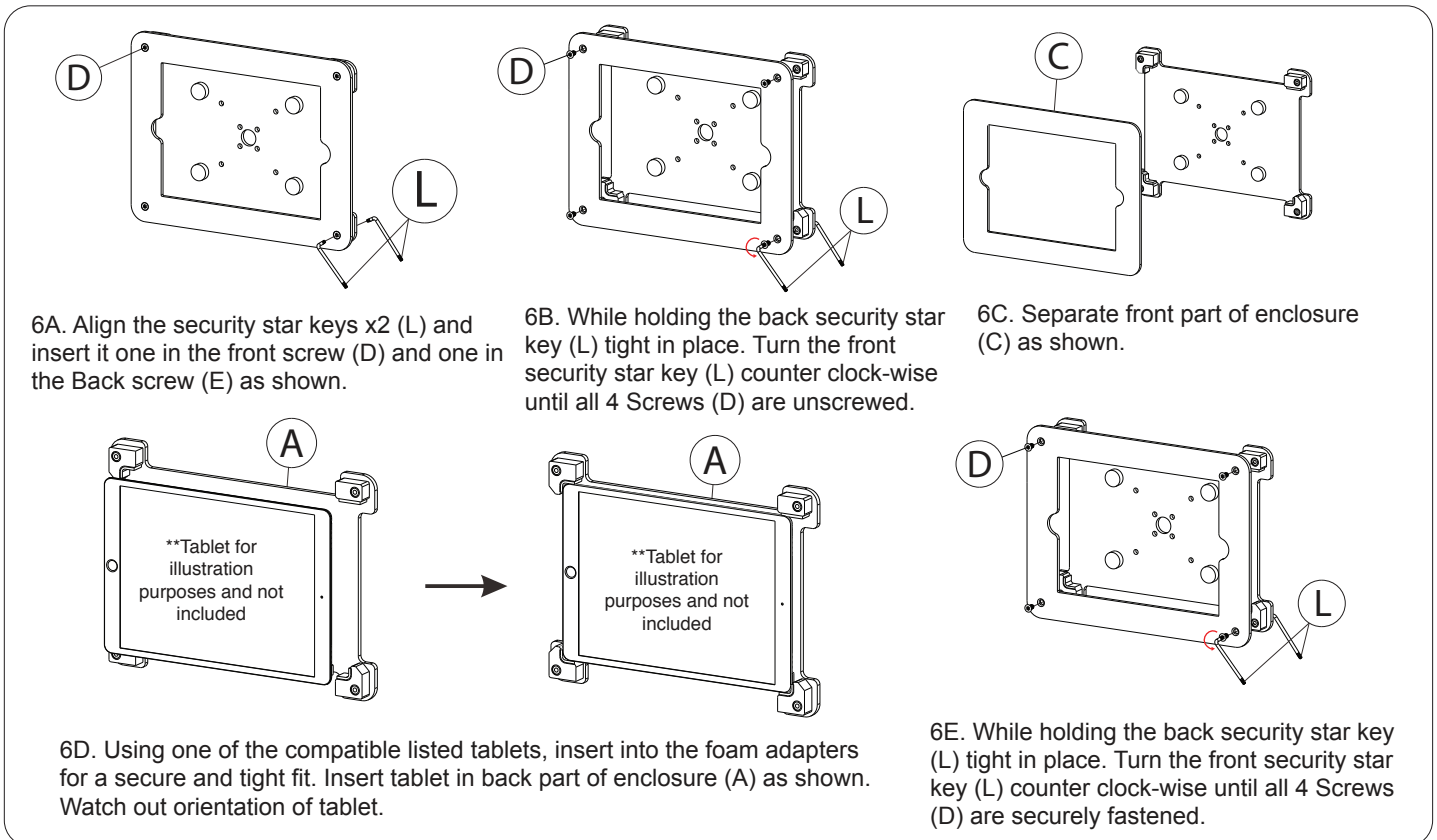
**Screwdriver for illustration purposes and not included

5. Attaching enclosure to stand :



5A - Align enclosure VESA holes to the kiosk body VESA plate holes. Using provided tool (K), rotate in screws (F) from above while holding hex nut (H) from behind with your hands. Rotate until securely tightened.

6. Setting up device and enclosure :



6A. Align the security star keys x2 (L) and insert it one in the front screw (D) and one in the Back screw (E) as shown.

6B. While holding the back security star key (L) tight in place. Turn the front security star key (L) counter clock-wise until all 4 Screws (D) are unscrewed.

6C. Separate front part of enclosure (C) as shown.

6D. Using one of the compatible listed tablets, insert into the foam adapters for a secure and tight fit. Insert tablet in back part of enclosure (A) as shown. Watch out orientation of tablet.

6E. While holding the back security star key (L) tight in place. Turn the front security star key (L) counter clock-wise until all 4 Screws (D) are securely fastened.