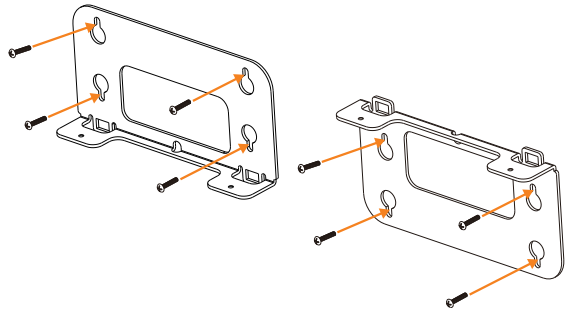
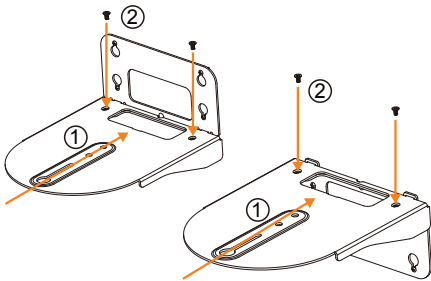


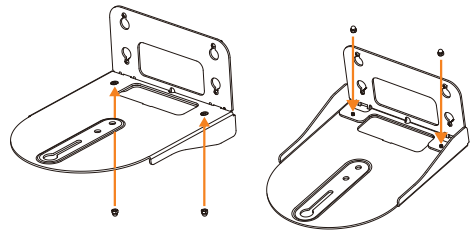
1. Paste the drilling paper on the wall and drill the holes for installing mount plate.



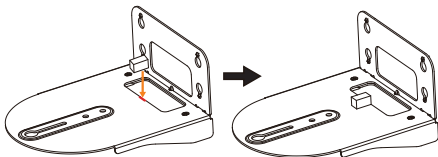
2. Secure the mount plate with screws on the wall. The mount plate has two ways of installation as figure shown.
[Note] The screws are not included.



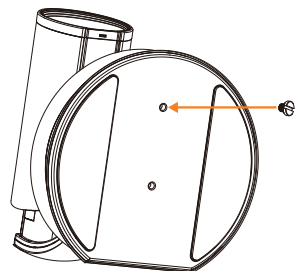
3. Assemble the two mount plates and make sure the two mount plates are jammed. Next, secure two mount plates with screws.



4. Install the nuts on the screws.

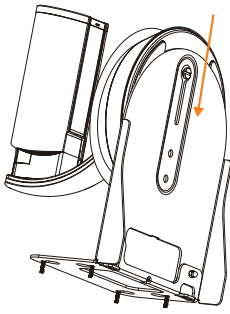


5. For SVC series camera, paste the sponge to the specified position as figure shown.
[Note] PTC series camera skip this step to step 6.

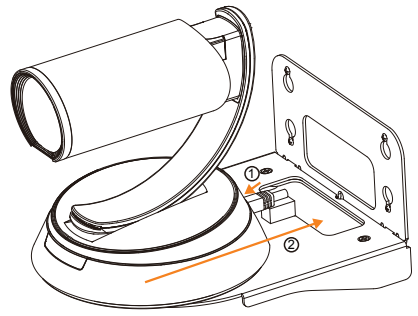


6. Secure the screw to the bottom of camera.
DO NOT serew tight, leave some spece for sliding to mount bracket



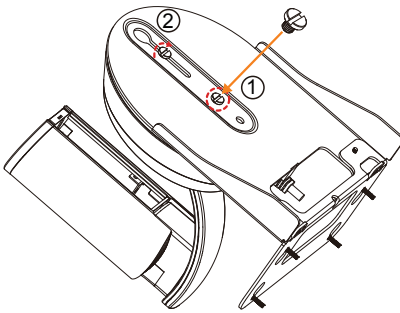


6. Slide the camera into the mount bracket. Don't slide camera in the end, before installing the cables to the camera.

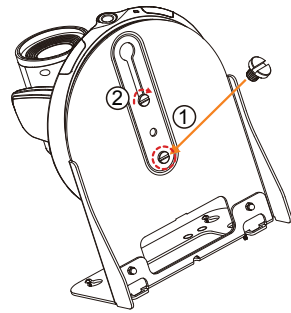


7. Connect the necessary cables to the camera. Then, slide the camera in the end.

SVC series

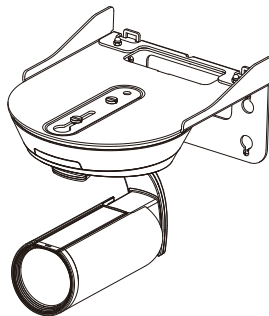
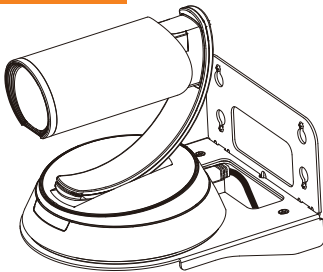


PTC series

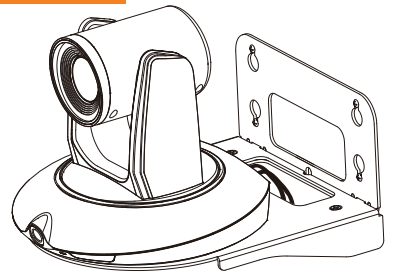


8. Secure the camera on the mount bracket. First, screw tight the lower screw, then, screw tight the upper screw.

SVC series



PTC series



9. Complete.
[Note] The PTC series camera doesn't support to mount in upside down position.