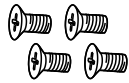


1. Package Contents



VC-WM14



PTZ Camera
Locking screw
*4 pcs



Box Camera
Locking screw

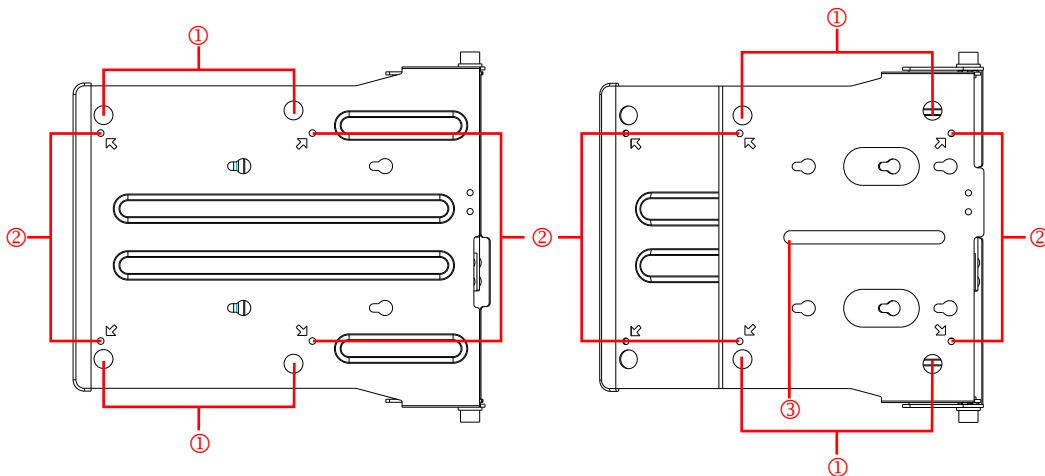
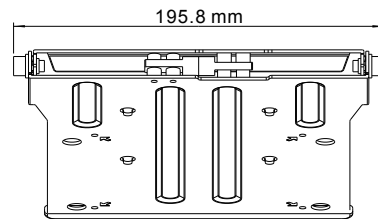
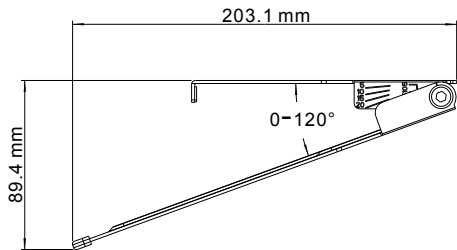


Installation
Guide



Drilling paper

2. Product size and hole site



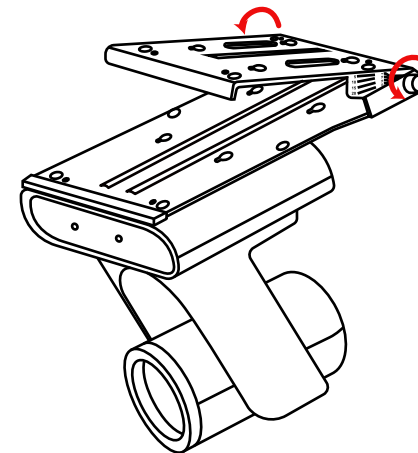
- ① Foot pad hole site
- ② Screw hole site
- ③ Screw hole site of the Box Camera

3. Precautions for installation

- 3.1 Load Capacity: 2 Kg
- 3.2 To install by yourself, please follow the installation procedures steps by steps, ensure steady and tight installation of the device.
- 3.3 Ensure the safety of the installation environment. Please do not install the bracket on unstable ceiling, wall or in a place where the device is in danger of falling to avoid any accident.
- 3.4 Box camera only supports monitor mounting, not for ceiling and wall mounting
- 3.5 For the size diagram, please go to [Lumens website > Service Support > Download](https://www.MyLumens.com/Support) .
<https://www.MyLumens.com/Support>

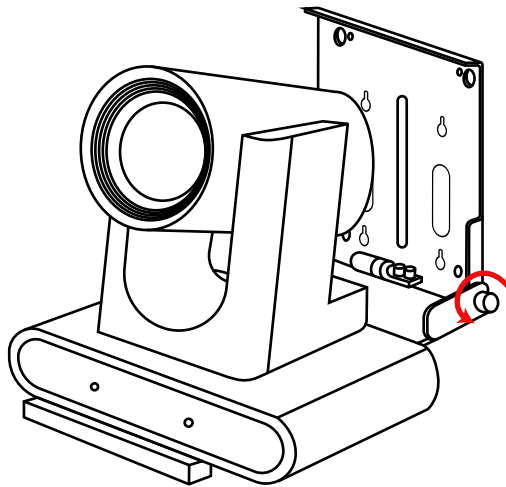
4. Instruction for installation steps

- 4.1 Install on the ceiling
 1. Use drilling paper to cut holes on the ceiling.
 2. Fix the short-sided sheet metal on the ceiling.
 3. Fix the camera on the long-sided sheet metal and lock with 4 pcs of screws.
 4. Loosen the hexagonal screws on both sides to adjust the installation angle, and then tighten them.



4.2 Install on the wall

1. Use drilling paper to cut holes on the wall.
2. Fix the short-sided sheet metal on the wall.
3. Fix the camera on the long-sided sheet metal and lock with 4 pcs of screws.
4. Loosen the hex socket screws on both sides to adjust the installation angle, and then tighten them.



4.3 Install on the display

1. Install the camera on the short-sided sheet metal, and tighten the screws according to the type of the camera.
 - > PTZ Camera: Screws * 4 pcs
 - > Box Camera: Screws * 1 pcs
2. Place on top of the display.
3. Install firmly on the display by adjusting the bracket.
4. After finishing, fasten the hex socket screws on both sides.

