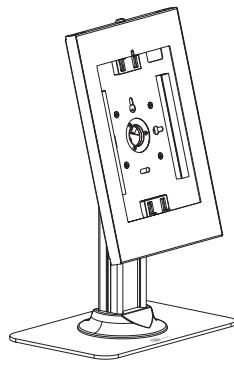


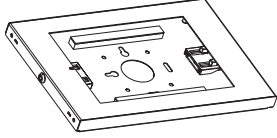

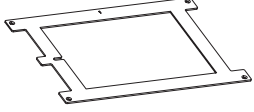
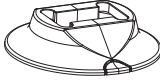
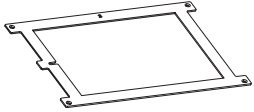

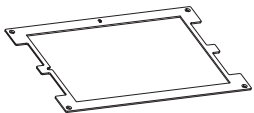

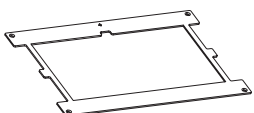

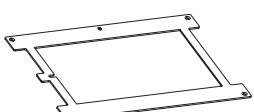

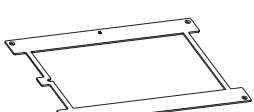

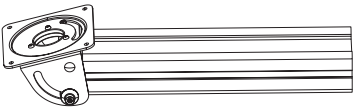

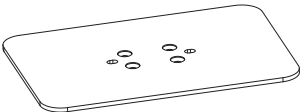




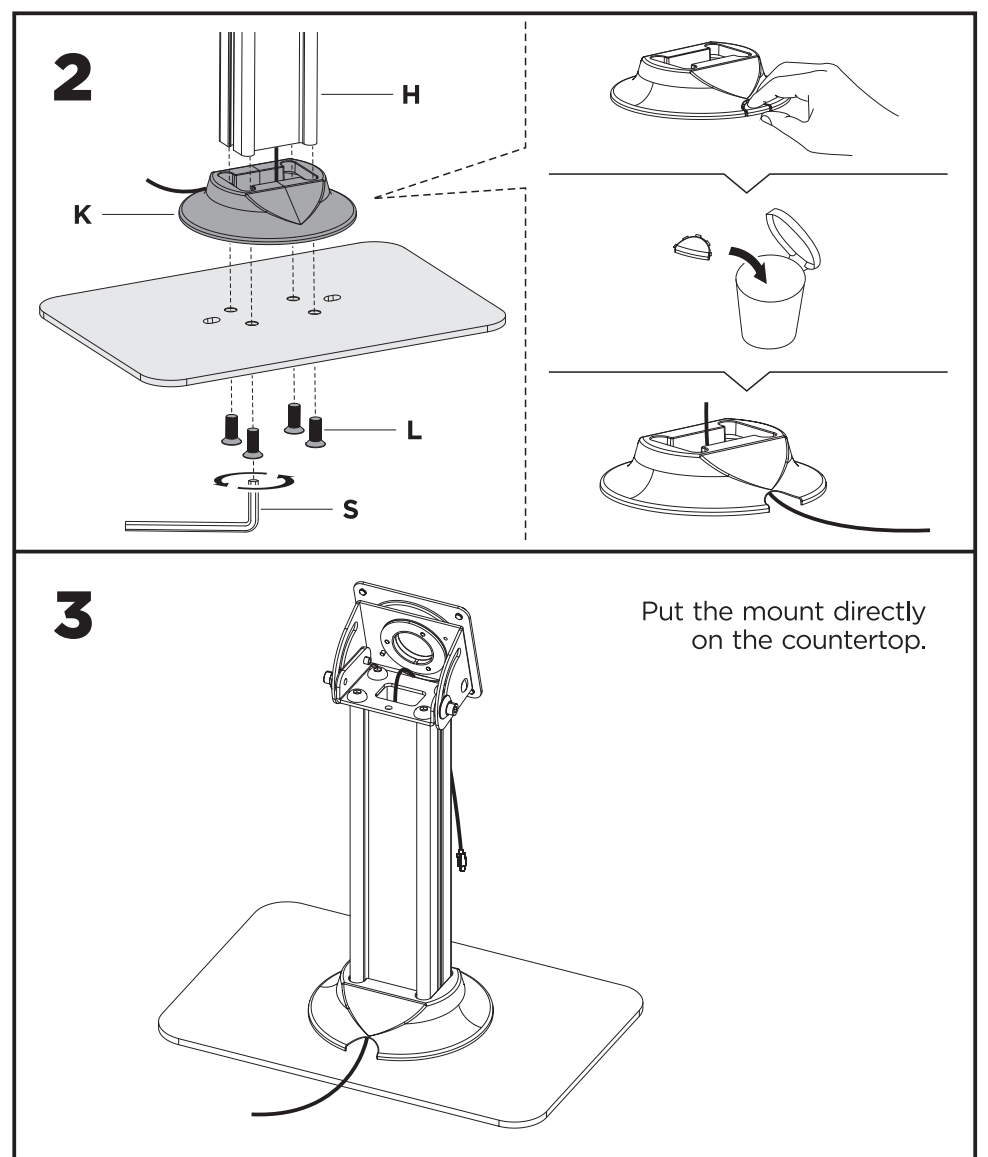
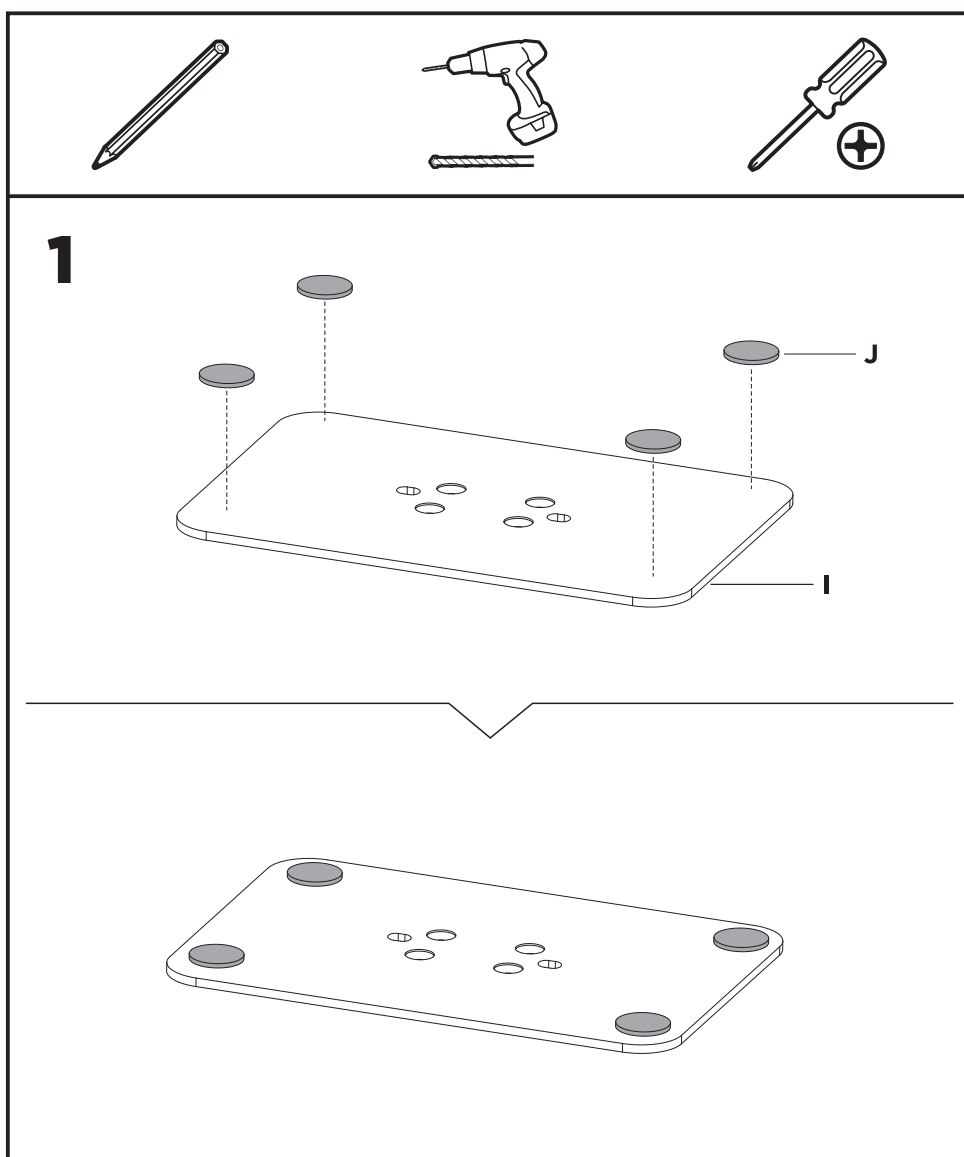
Security Lockable Countertop Kiosk Stand Holder for iPad

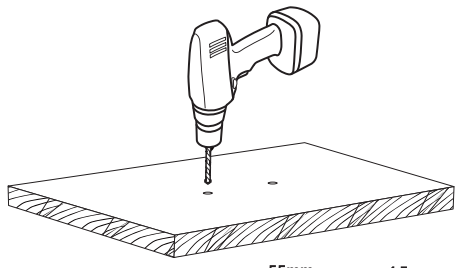
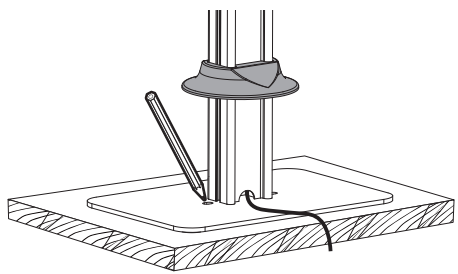
P/N: CE-MT3N11-S1 04-1395A



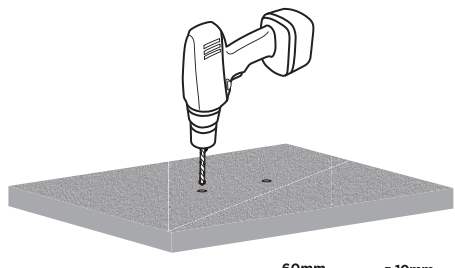
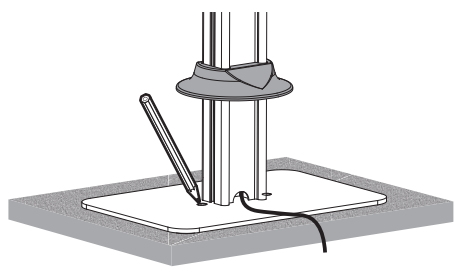
For more info or tech support
<http://www.siig.com/support>

ITEM	DESCRIPTION	QUANTITY	ITEM	DESCRIPTION	QUANTITY
A	 enclosure	1	J	 rubber pad	4
B	 panel 1	1	K	 decorative cover	1
C	 panel 2	1	L	 M8x20	4
D	 panel 3	1	M	 M4x12	4
E	 panel 4	1	N	 M5x6	4
F	 panel 5	1	O	 ST6.3x55	2
G	 panel 6	1	P	 Ø10x45	2
H	 column	1	Q	 key	2
I	 base	1	R	 4mm allen key	1
			S	 5mm allen key	1

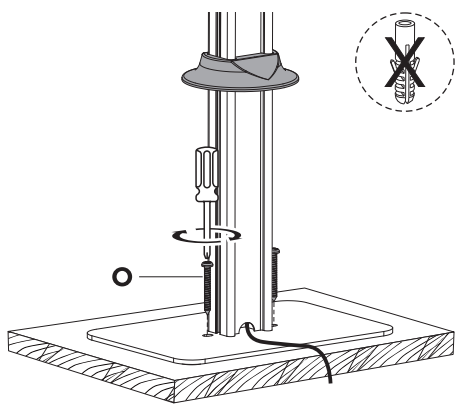




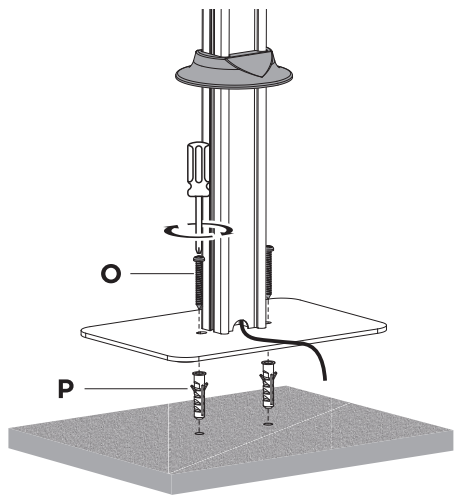
55mm (2.2")
 ø 4.5mm (ø 3/16")



60mm (2.4")
 ø 10mm (ø 3/8")

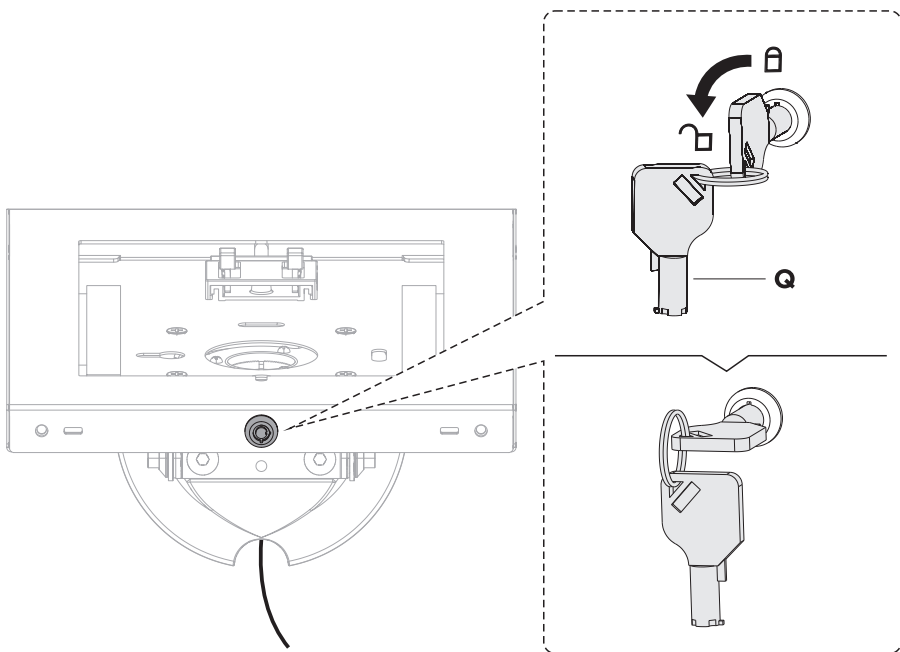
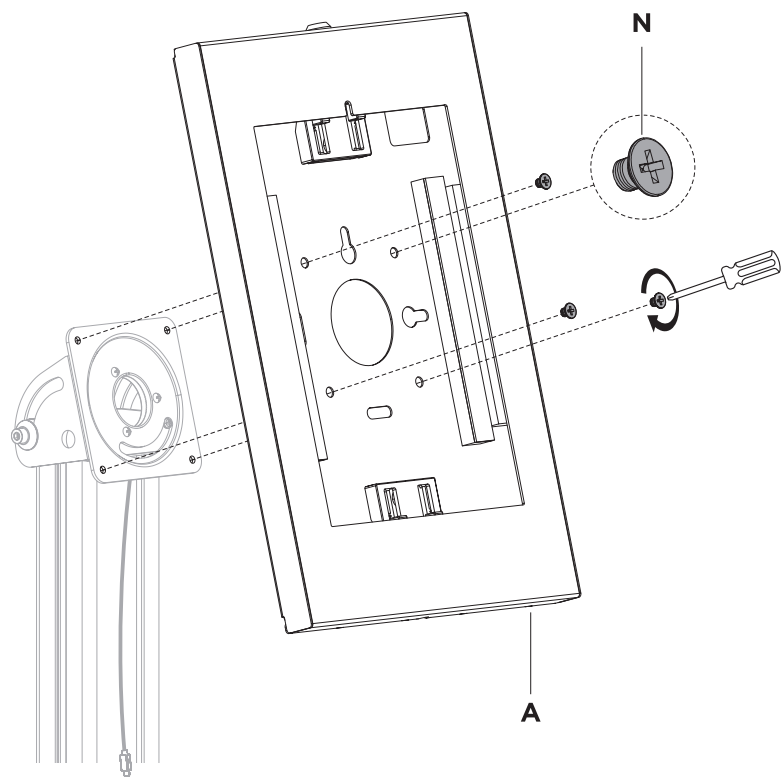


For the wooden countertop installation.



For the concrete or solid masonry installation.

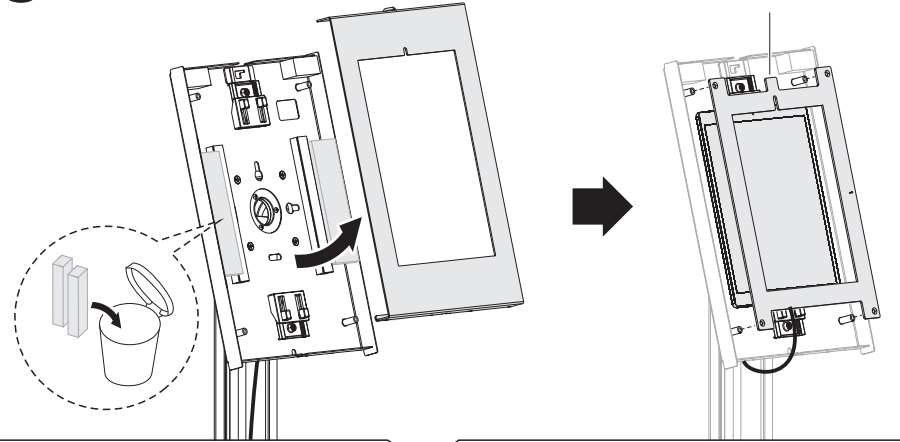
4



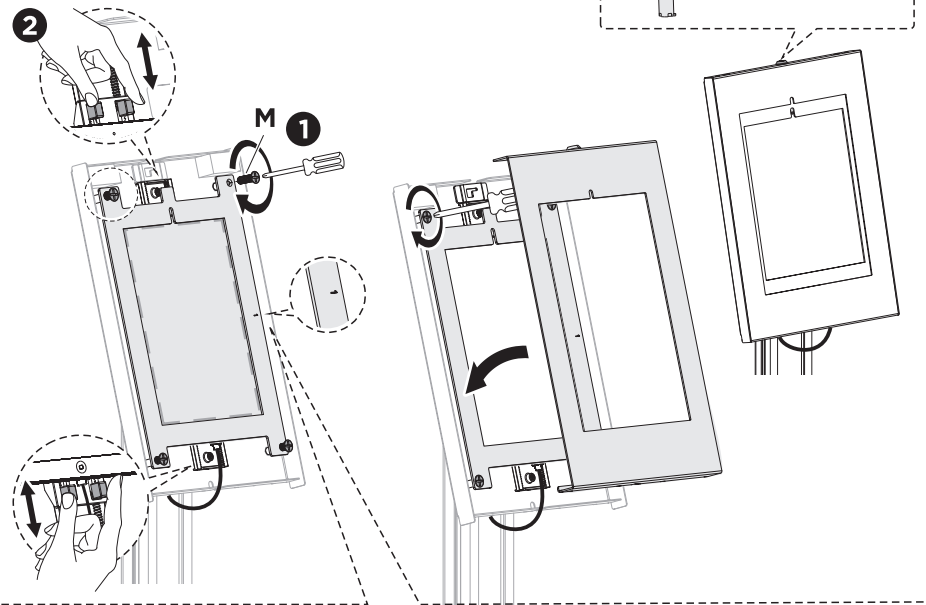
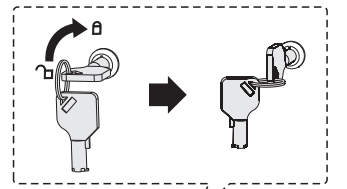
5

Note: Remove pearl cotton foam before installation.

B/C/D/E/F/G



Attach the panel to the enclosure using four screws (M). Before completely tightening the screws adjust the two claws to hold the tablet and to ensure the screen is aligned and visible through the front panel.



Panel 1: For 9.7" iPad 5/6, iPad Air 1/2 & iPad Pro (Gen 1)

Panel 2: For 10.2" iPad 7/8/9 & 10.5" iPad Air 3, iPad Pro (Gen 2)

Panel 3: For 11" iPad Pro (Gen 3/4/5) & 10.9" iPad Air 4

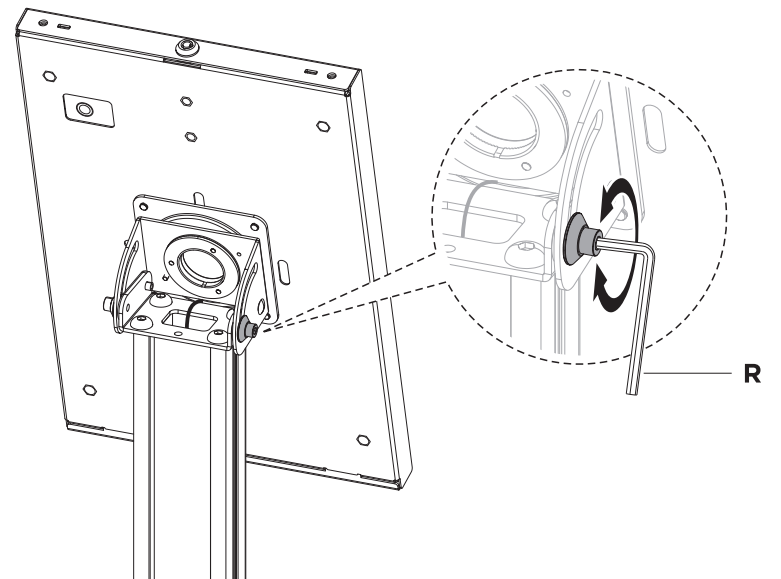
Panel 4: For 10.4" Samsung Galaxy Tab A7

Panel 5: For 10.1" Samsung Galaxy Tab A

Panel 6: For 10.4" Samsung Galaxy Tab S6

Choose the corresponding panel according to the tablet.

6



7

