

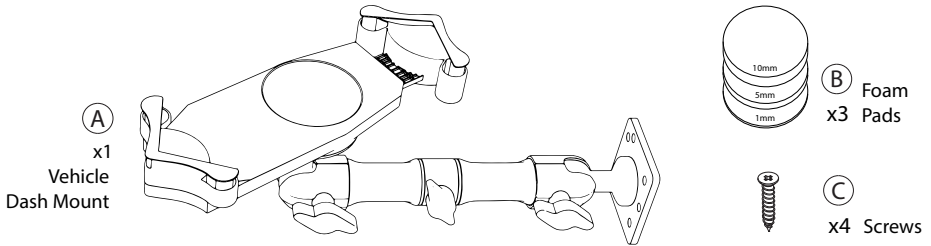


Vehicle Dash Mount w/ Custom Flex Arms

AUT-VDMC

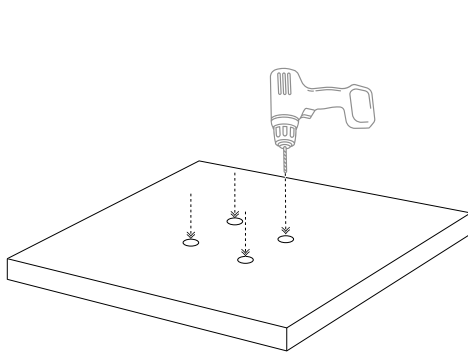
INSTALLATION - MANUAL

CONTENTS:

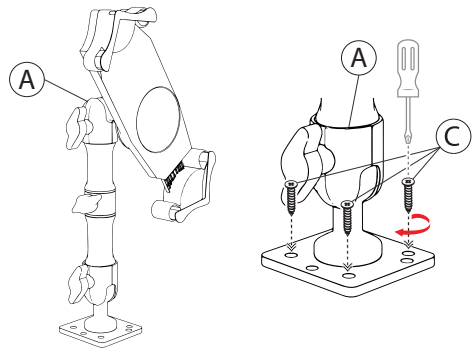


INSTALLATION:

1. Installing the Mount to Vehicle :



1A. Drill holes on the surface as shown above with power drill tool (not provided).

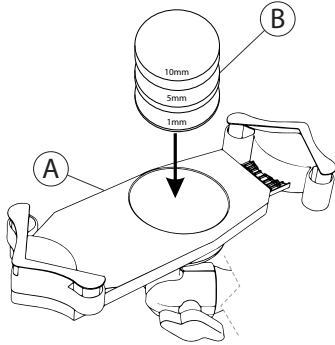


1B. Place vehicle dash mount (B) aligning the holes drilled on surface and then screw in the provided x4 screws (C) through the base with a screw driver (not provided) until securely tightened.



Drilling into the dash, wall, or roof will be a permanent installation and may cause damage if not installed properly. Use caution and consult a mobile install professional to avoid drilling into the gas tank, electrical system or other highly sensitive vehicle components.

2. Attaching Foam Pad to Tablet Holder :



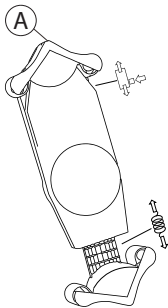
Foam Pad Thickness:	Tablet Thickness:
1mm	0.67-1.06in / 17-27mm
5mm	0.51- 0.91in / 13-23mm
10mm	0.31- 0.71in / 8-18mm

- Use this table to determine the appropriate foam pad (B) to use with your tablet.

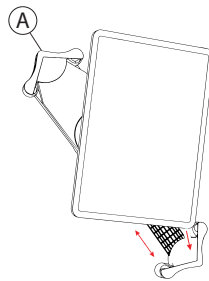
Note: sizes refer to total tablet size with or without a case

2A. Select the appropriate foam pad (B) according to the thickness of your tablet (or tablet in its case), then press adhesive side into center of the tablet holder.

3. Inserting Tablet to Holder :



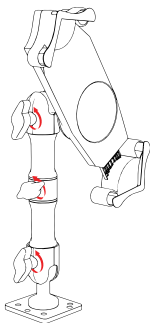
3A. Press quick release button on side of tablet holder (A) to release the adjustable end.



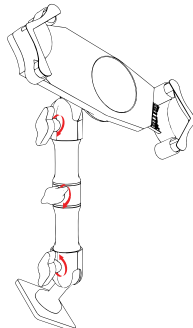
3B. Insert tablet corner against the spring arm. Push adjustable arm down against opposite corner (A). Be sure it is as snug as possible.

**Tablet for illustration only and not included

4. Adjustability



1. Twist the screw knobs counter clock-wise to loosen joint



2. Adjust the arm to desired position then twist the screw knob clockwise until securely tightened.



Caution

Please be sure to fasten all the screws were tightened securely while using the stand.

Not for use while driving.

Max loading :1KG

Safety Precautions

Do not install CTA's products over an air bag cover or within the air bag deployment zone. CTA Digital, Inc. assumes no respons of liability for injury or death as a result of car crashes and / or air bag deployment. CTA is not responsible for any damages caused to your vehicle, your device, or yourself due to the installation or use of this product.