

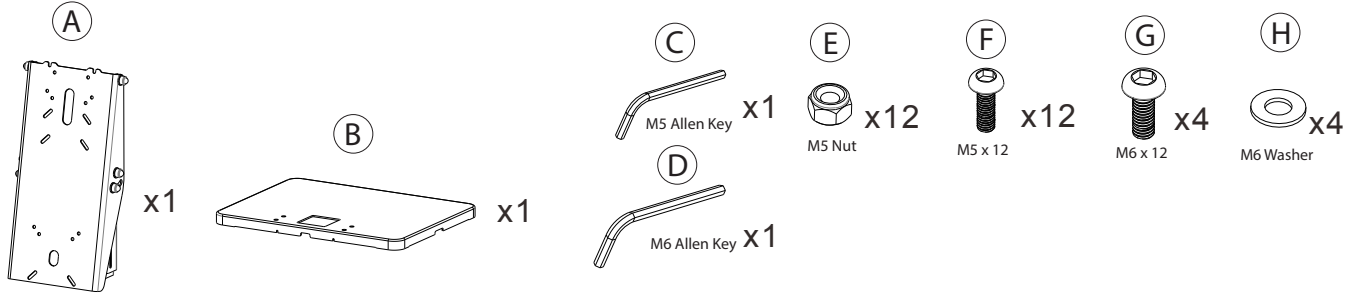


Multi-Enclosure Universal Desk Mount

ADD-PARAMULTI

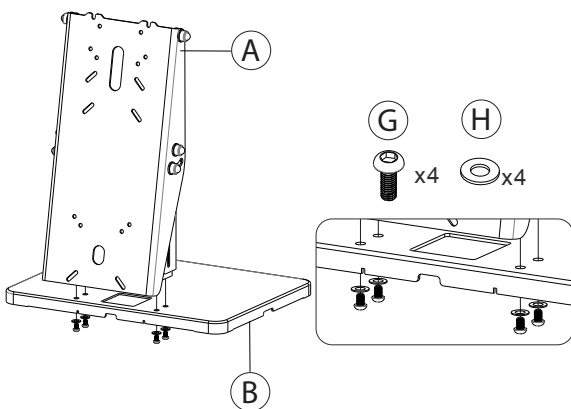
INSTRUCTION - MANUAL

CONTENTS:



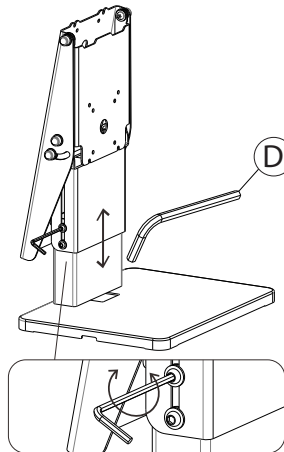
INSTALLATION:

1. Setting up Base to Body



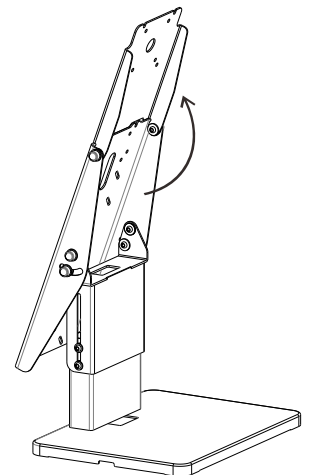
1A. Align base (B) to body (A) as shown. From below, rotate in (4) screws (G) and washers (H) as shown using provided tool (D) until securely tightened.

2. Adjusting Height



2A. Loosen the side bolt using provided tool (D) to raise or lower to height to your preference. Rotate opposite direction to securely tighten and set your height.

3. Setup Configuration



3A. Identify the top VESA plate, Tilt it down for a 2-direction setup or keep it up for a 1-direction setup as required.

4. When Setting up Tablet Enclosures

4A. Identify the (3) VESA locations. Align enclosures VESA holes with the body VESA holes (A). Then using the screw and hex nuts (E & F), screw in from the front using provided tool (C) while holding the hex nuts from behind until securely tightened. Repeat for all other VESA locations with enclosures.

