



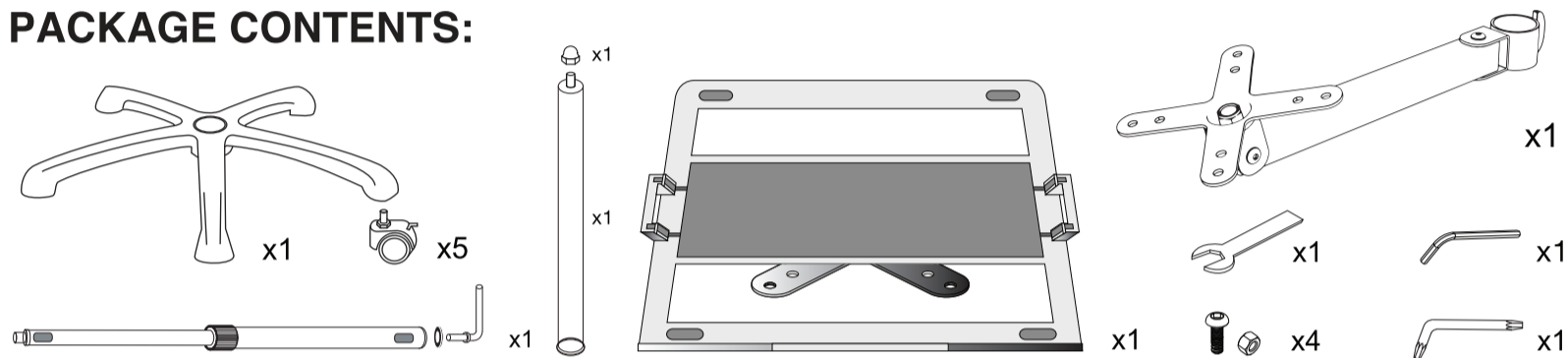
LT-HFS2

Height-Adjustable Floor Stand with Laptop Holder

INSTRUCTION MANUAL

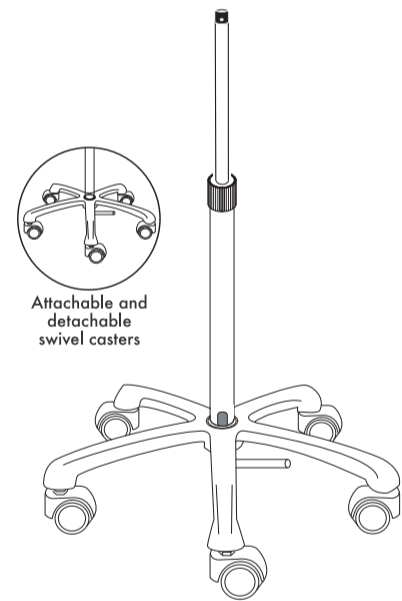
Thank you for choosing CTA Digital's product. We hope that you will enjoy using it. Please follow the guidelines and instructions as laid out in this instruction manual

PACKAGE CONTENTS:



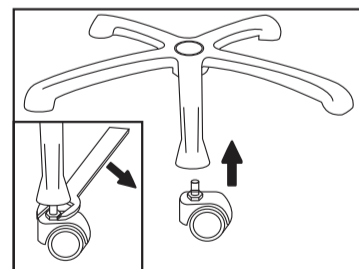
INSTRUCTIONS:

1. Stand Assembly

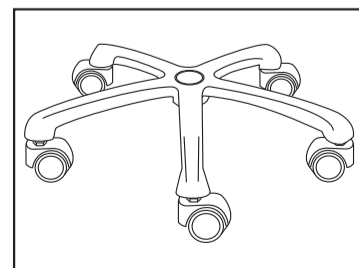


Attachable and detachable swivel casters

Attaching wheels:
Connect wheels to stand base before attaching pole.



Screw wheels into floor base by hand, then use wrench to tighten.



METAL CONNECTION

HEIGHT ADJUSTMENT KNOB

POLE

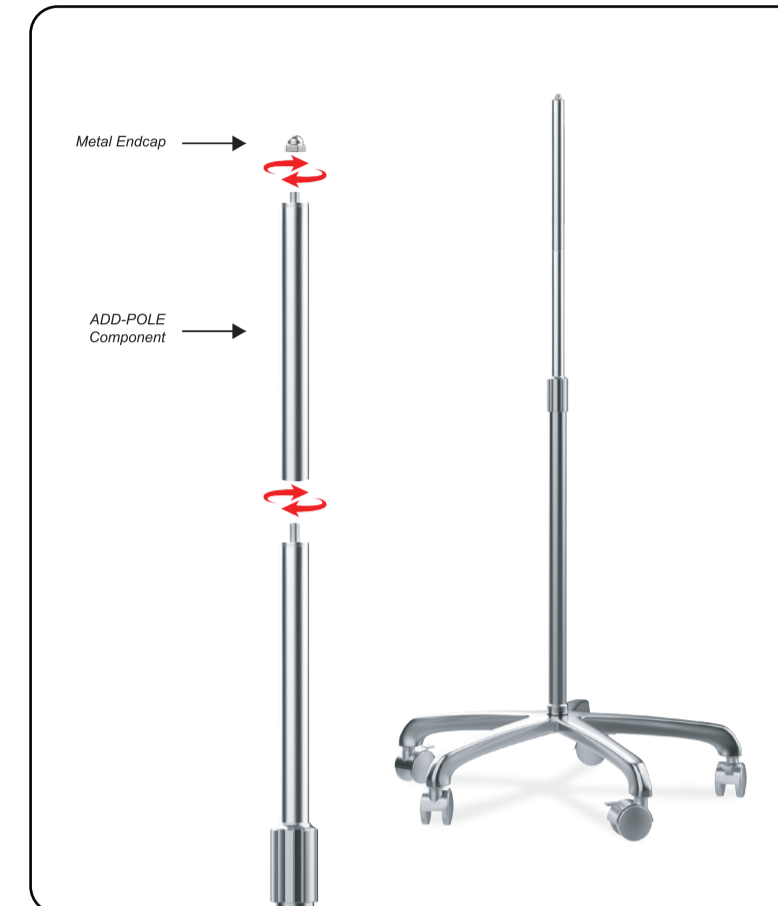
HEAVY DUTY BASE

METAL WASHER & TIGHTENING SCREW ROD

1. Insert the pole into the center of the heavy duty base.
2. Place metal washer over tightening screw rod, then screw into the bottom side of the stand base center, turning clockwise to tighten.

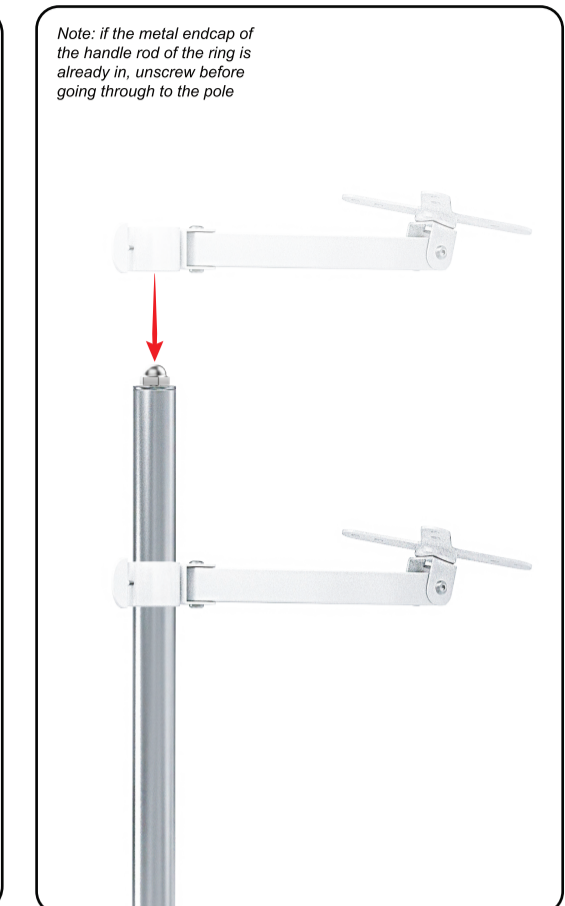
SUPPORT@CTADIGITAL.COM

2. Assemble ADD-POLE to Stand



A. Screw in ADD-POLE to the main body component then screw on clockwise metal endcap until securely tightened.

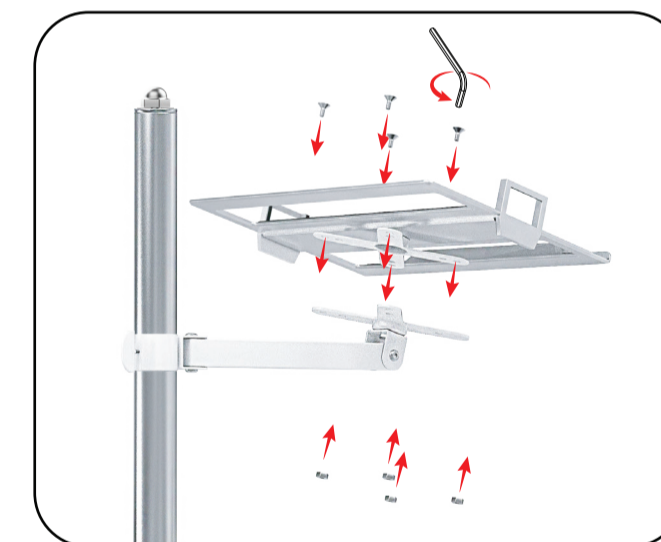
3. Assemble ADD-PARMVESA Arm to Stand



Note: if the metal endcap of the handle rod of the ring is already in, unscrew before going through to the pole

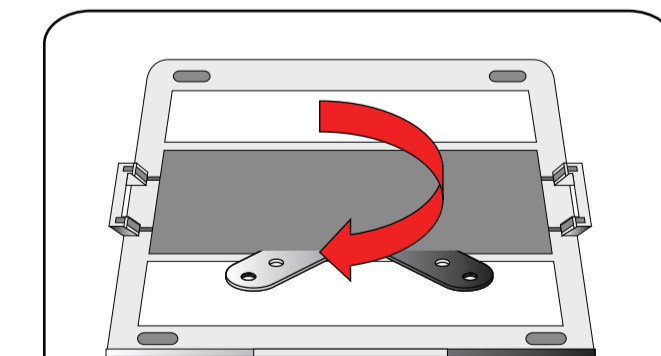
A. Loosen ADD-PARMVESA arm pole grip. Slide down to desired position then, tighten pole grip.

4. Connecting VESA to VESA



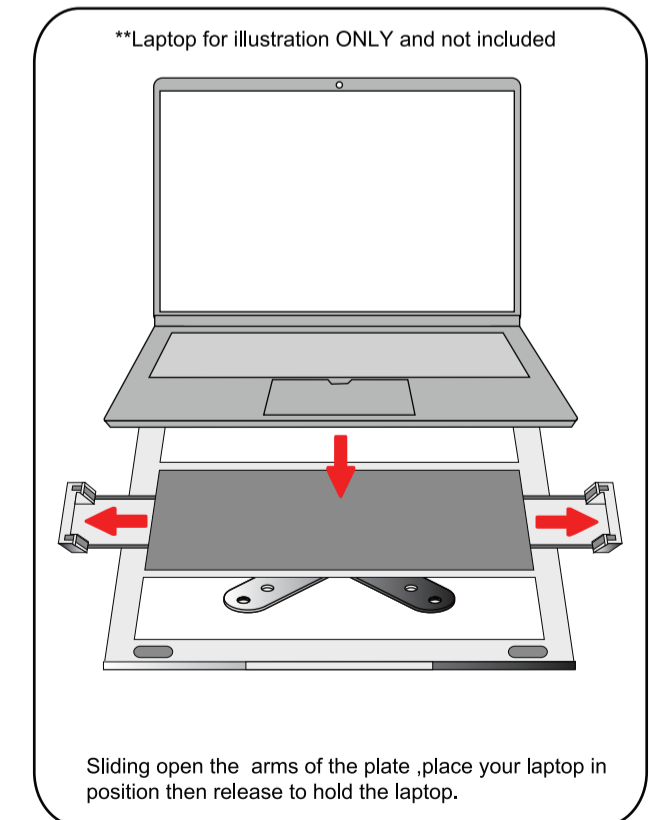
This VESA Compatible Laptop Plate allows you to connect with other VESA devices by screwing up the bolts with a Allen key as shown.

Adjusting the Laptop Plate



This VESA Compatible Laptop Plate allows you to rotate 360 degree.

Inserting Laptop into Holder



**Laptop for illustration ONLY and not included

Sliding open the arms of the plate, place your laptop in position then release to hold the laptop.

SUPPORT@CTADIGITAL.COM