

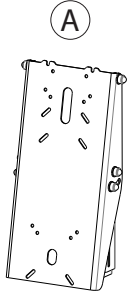


# Triple-Screen Adjustable Kiosk with Universal Security Enclosure

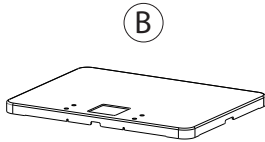
PAD-PARAMULTI

## INSTRUCTION - MANUAL

### CONTENTS:



x1



x1



x1



x12



x12



x4



x4



x1



x3



x3

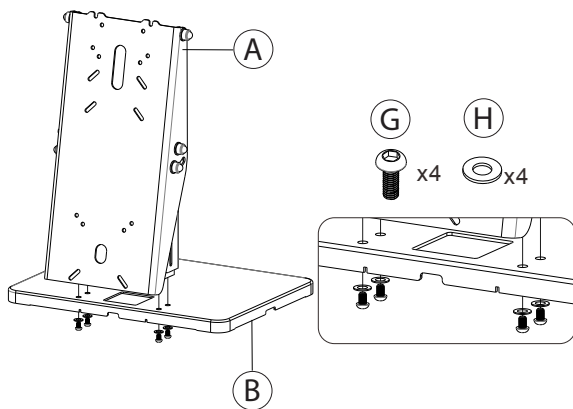
Foam Adapter & Sheet Bundle



x3

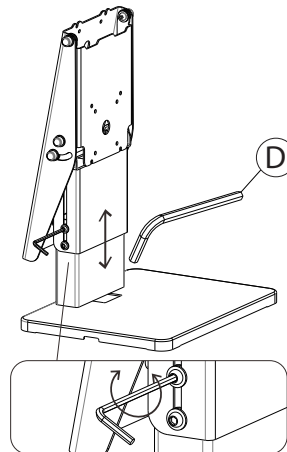
### INSTALLATION:

#### 1. Setting up Base to Body



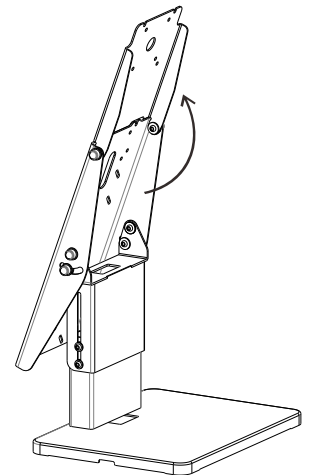
1A. Align base (B) to body (A) as shown. From below, rotate in (4) screws (G) and washers (H) as shown using provided tool (D) until securely tightened.

#### 2. Adjusting Height



2A. Loosen the side bolt using provided tool (D) to raise or lower to height to your preference. Rotate opposite direction to securely tighten and set your height.

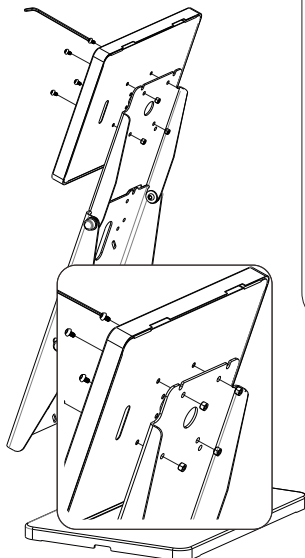
#### 3. Setup Configuration



3A. Identify the top VESA plate, Tilt it down for a 2-direction setup or keep it up for a 1-direction setup as required.

#### 4. Setting up Tablet Enclosures

4A. Identify the (3) VESA locations. Align enclosures VESA holes (I) with the body VESA holes (A). Then using the screw and hex nuts (E & F), screw in from the front using provided tool (C) while holding the hex nuts from behind until securely tightened. Repeat for all other VESA locations with enclosures.



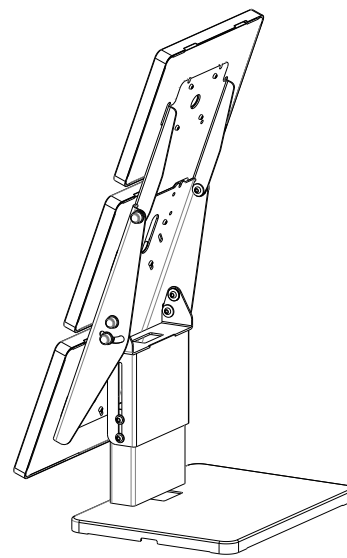
x1



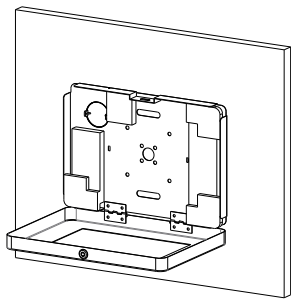
x12



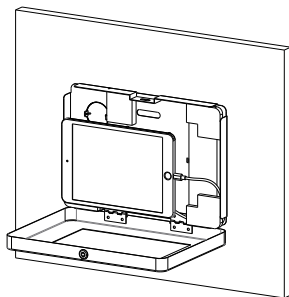
x12



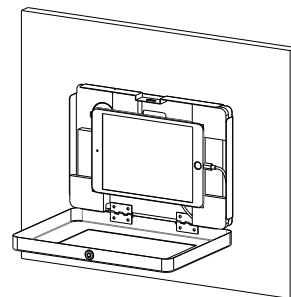
## 5. Setting Up Foam Adapters



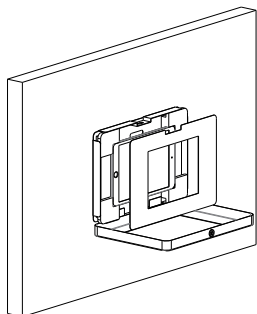
5A. Identify the correct foam adapters from the bundle that'll fit for your device inside the tablet enclosure. There should be a sticker on the corner identifying compatibility.



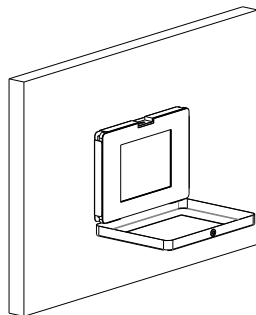
5B. Once correct foam set is found, insert tablet and plug in cord as shown above and route out the holes on the back of the enclosure



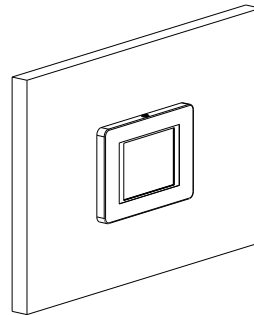
## 6. Setting Up Sheet Adapter



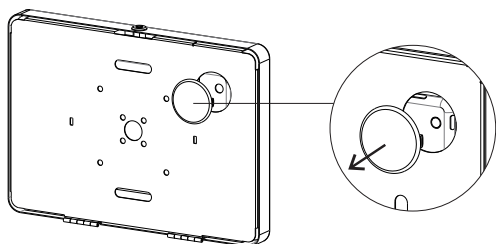
6A. Identify the sheet bundle and find the right sheet for your device if needed.



6B. You know you have the right sheet adapter when you close the enclosure, only the screen should be visible for a more fitted look.

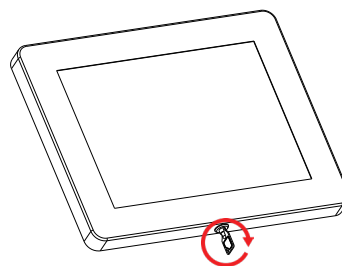


## 7. Setting Up Enclosure Openings



7A. When setting up enclosure for use, make sure to remove any of the opening covers for correct setup and usage.

## 8. Enclosure Security



8A. Using provided keys (K), rotate clockwise or counterclockwise to lock or unlock enclosure as needed.