

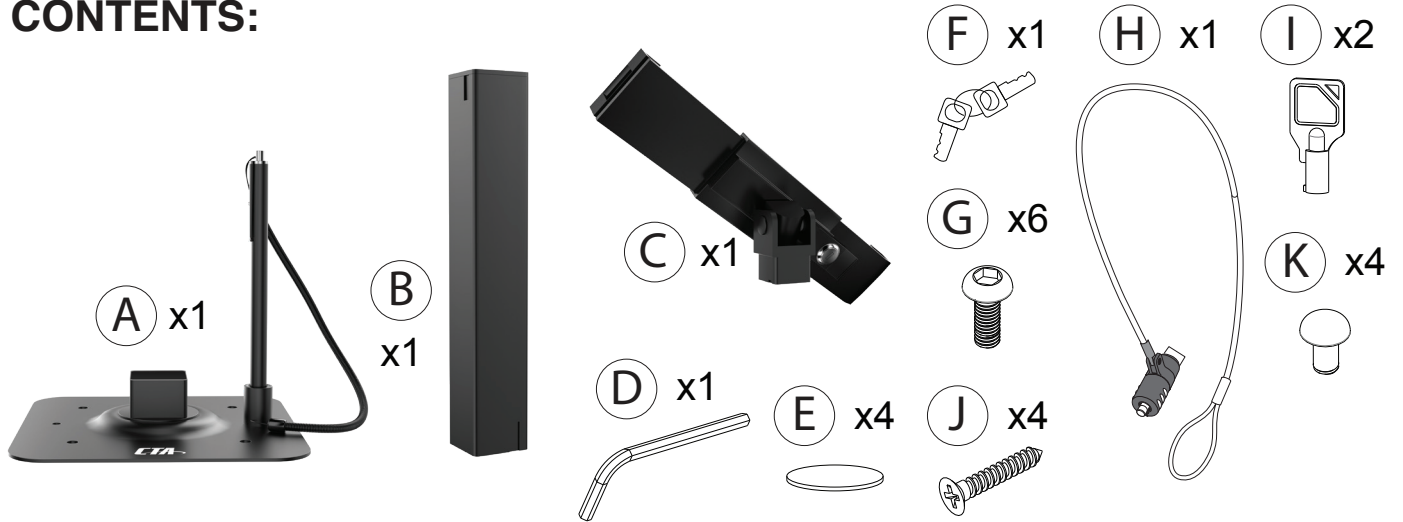


Secure Tabletop and Wall Mount

PAD-SWMB

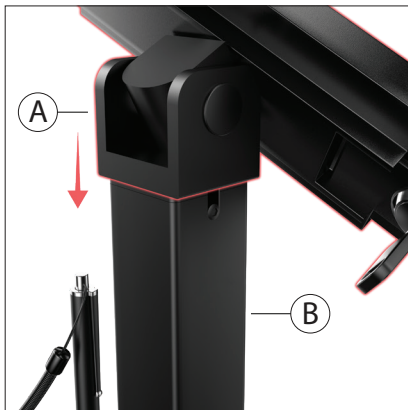
INSTRUCTION - MANUAL

CONTENTS:



INSTALLATION:

1. Attaching Holder to Body

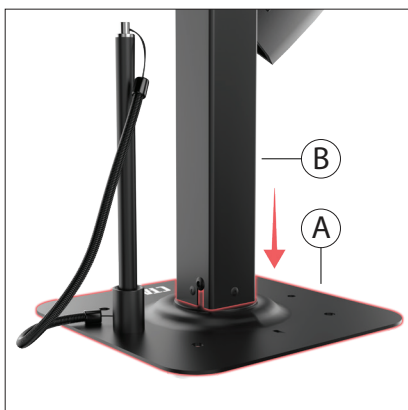


1A. Insert holder joint (A) into body joint (B) and align allen key hole.

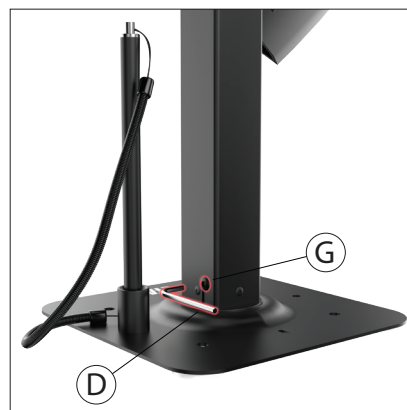


1B. Insert the allen screws (G) into holes and securely tighten with provided allen tool (D).

2. Attaching Body to Base

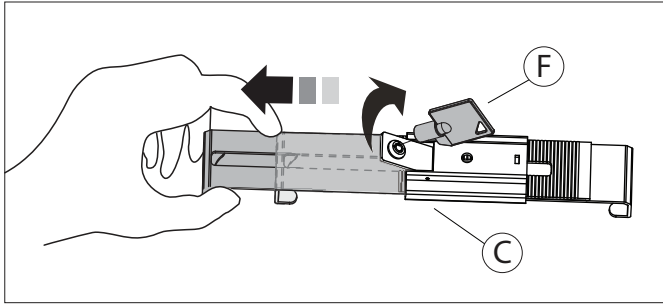


2A. Insert base joint (A) into body component (B) and align allen key hole.

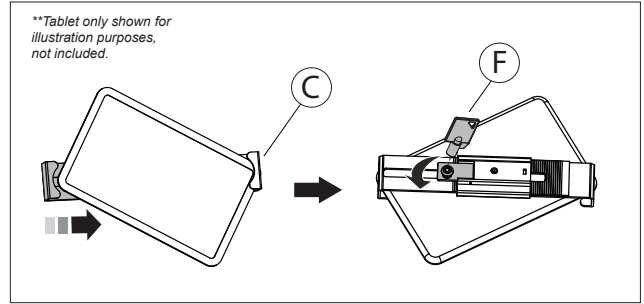


2B. Insert the allen screws (G) into holes and securely tighten with provided allen tool (D).

3. Inserting Tablet into Holder



3A. Insert key (F) into lock at back of holder (C). Turn counterclockwise to unlock, pull back the lock component, then slide the arms out.



3B. Insert tablet against fixed end, then slide down to hold tight. Turn key (F) clockwise to lock.

4. (Optional) Bolting to Countertop



4A. Align and screw in screws (J) through base (A) until securely attached to counter.

5. Inserting Mounting Hole Fillers

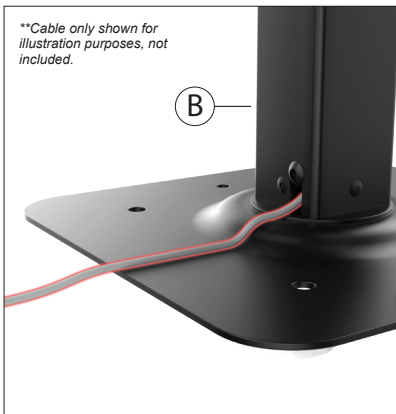
5A. Insert mounting hole fillers (K) for a seamless and clean aesthetic if not mounting into surface. Simply press into hole firmly



Cable Routing

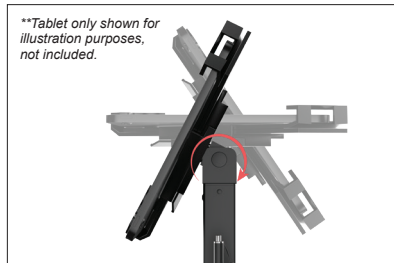


Fish the cable wire through the top end of the kiosk body (B).



Fish the cable wire out the other end as shown above.

Stand Adjustability



Adjust the joint (C) rotation to the preferred angle.

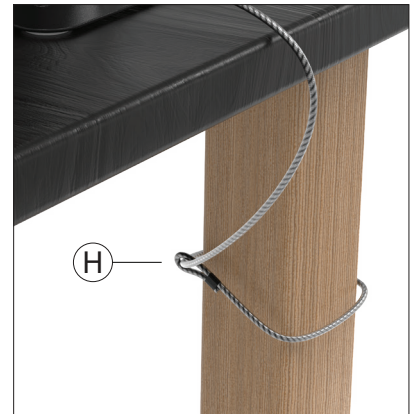


Adjust the orientation to the preferred view.

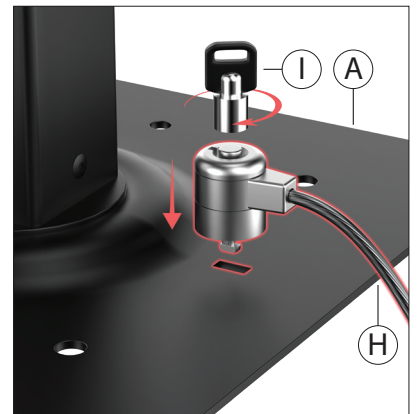


Adjust the base pole (B) to the preferred angle.

Anti-Theft Security Cable



Anchor the cable loop of your security cable lock (H) around an immovable object.



Secure and lock the other end to the kiosk into the cable lock slot hole (A) as shown.