

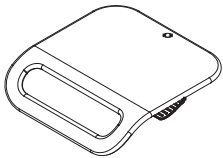


Height-Adjustable Rolling Workstation Cart with Laptop Holder

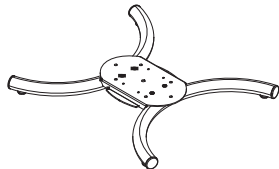
QPAD-HRSWLT

INSTRUCTION - MANUAL

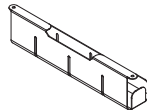
PACKAGE CONTENTS:



A.1pc
x1



B.1pc
x1



C.1pc
x1



D1.4pcs
x4



D2.1pc
x1



D3.4pcs
x4



D4.4pcs
3/8" washer
x4



E.1pc
x1



F.2pcs
x1



G.4pcs
M6x12
x4



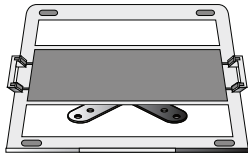
H.6pcs
M5x8
x6



I.2pcs
M5x6
x2



J.1pc
x1



x1



K.4pcs
M4x10
x4



L.1pc
M8x35
x1



M.2pcs
M8 Copper washer
x2



N.1pc
M8 washer
x1



O.1pc
x1



P.1pc
x1



Q.1pc
M3 wrench
x1



R.1pc
M4 wrench
x1



S.2pcs
M6 wrench
x1

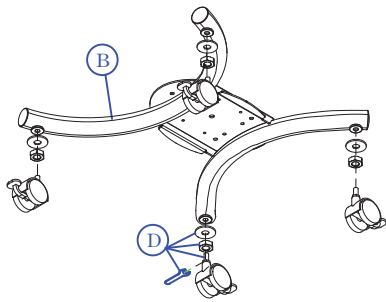


T.1pc
Open spanner
x1

INSTRUCTIONS:

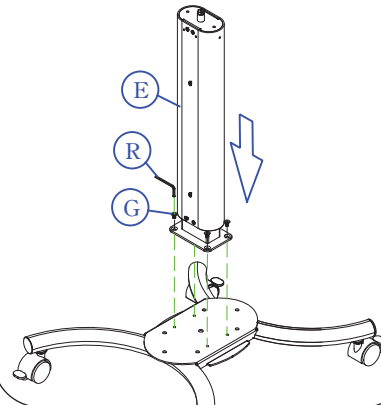
A. Setting up the Floor Stand

1. Insert and tighten the wheels

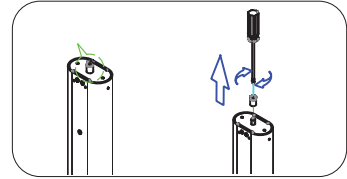
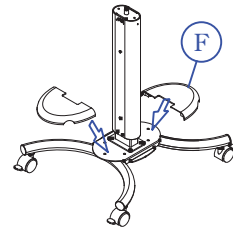


**If necessary, please add nuts and washers to level the base

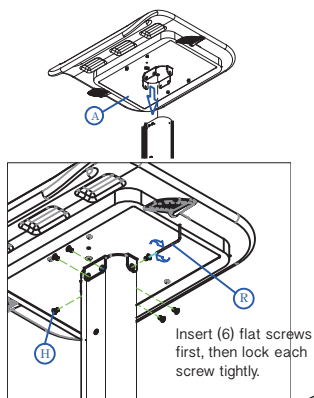
2. Line up and screw in the body



3. Attach Base Cover

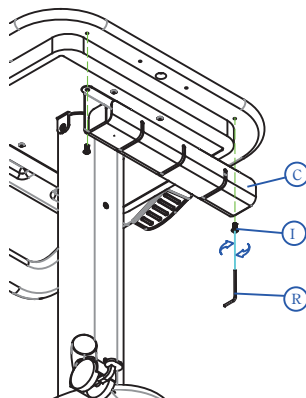


4. Line up tray with body
5. Insert and tighten screws

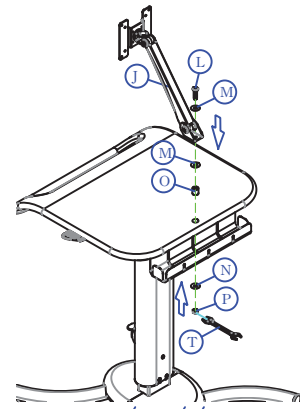


Insert (6) flat screws first, then lock each screw tightly.

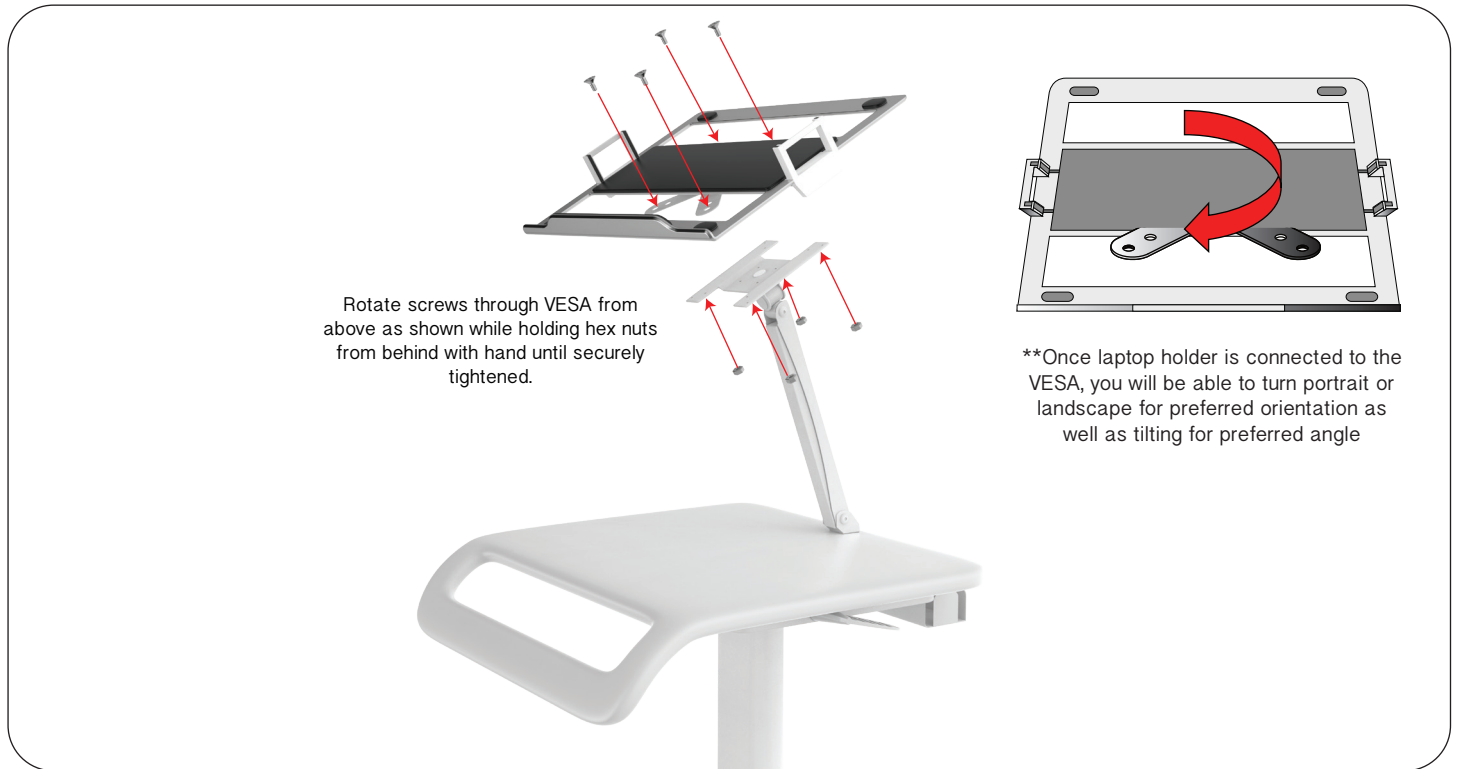
6. Screw in accessories holder



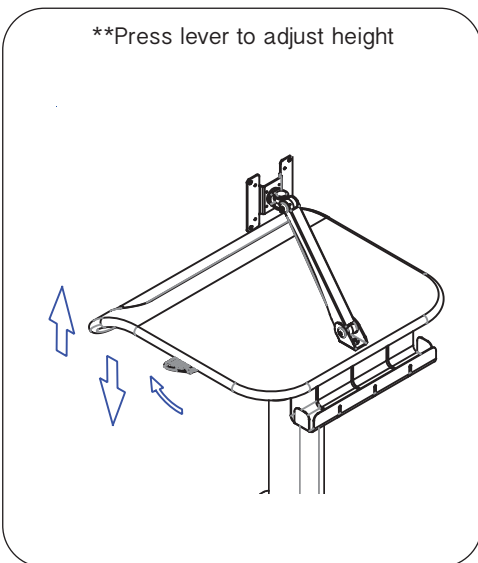
7. Install arm, screws, washers and accessories as shown



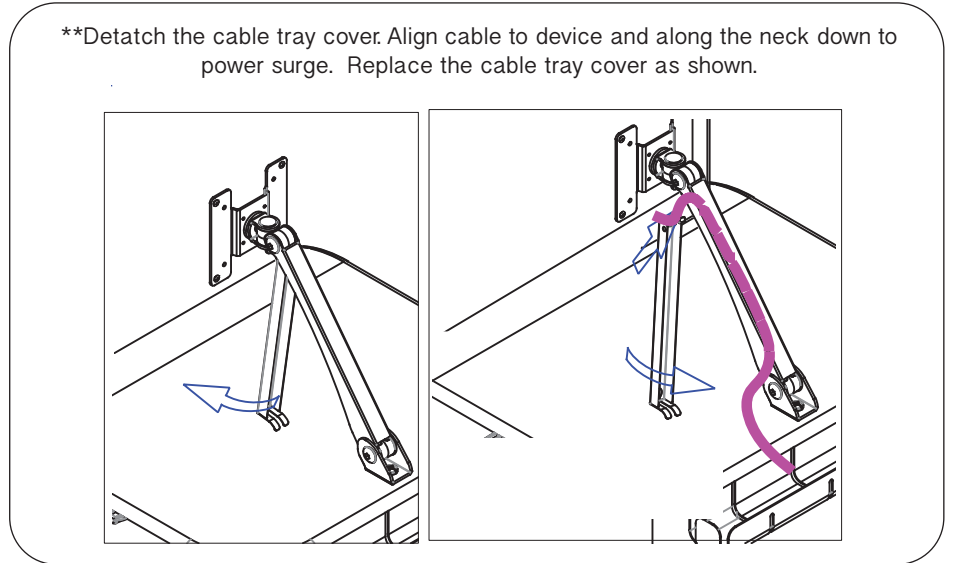
B. Attaching Holder to VESA



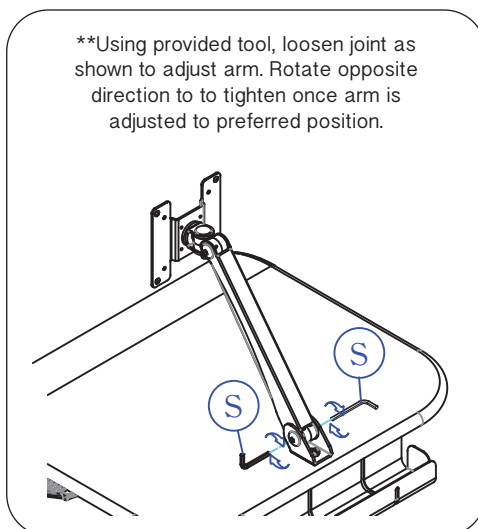
C. Adjusting Floor Stand Height



D. How to Cable Route



E. Adjusting Table Arm



F. Inserting Laptop

