



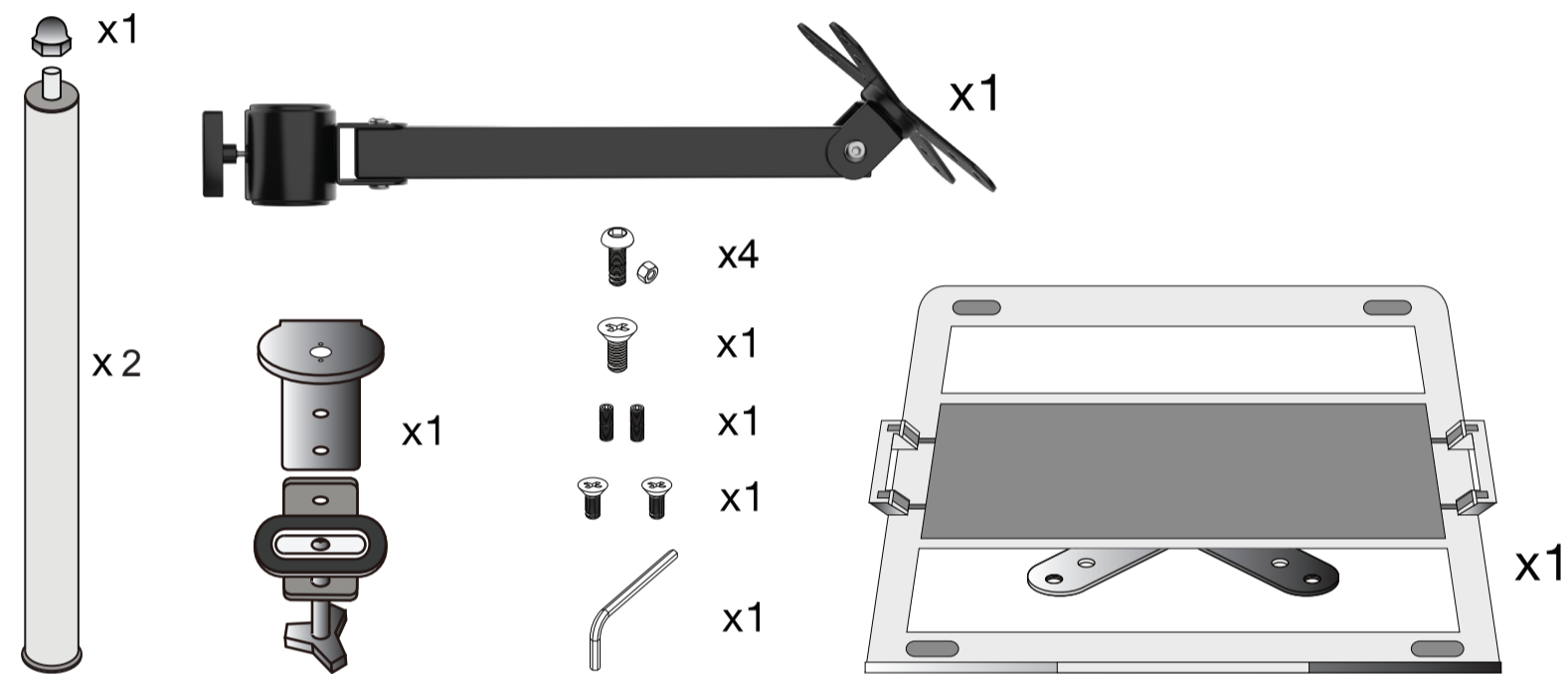
LT-PCM

Articulating Laptop Plate and Pole Clamp Mount

INSTRUCTION MANUAL

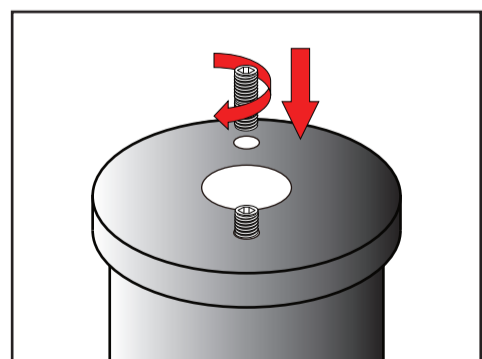
Thank you for choosing CTA Digital's product. We hope that you will enjoy using it. Please follow the guidelines and instructions as laid out in this instruction manual

PACKAGE CONTENTS:

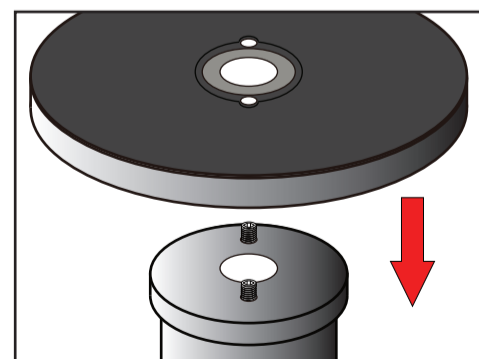


INSTRUCTIONS:

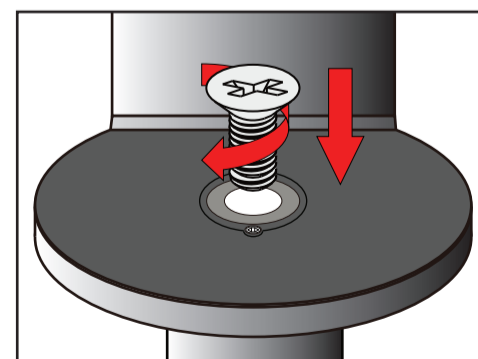
1. Connecting the Clamp and the Poles



A. Screw up the small meter screws into the holes on the bottom of the pole.



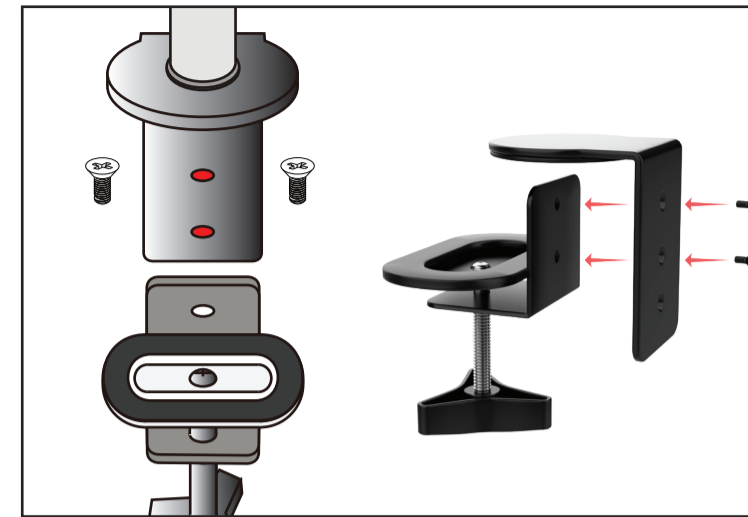
B. Align and insert the Pole into the top round component of the Clamp.



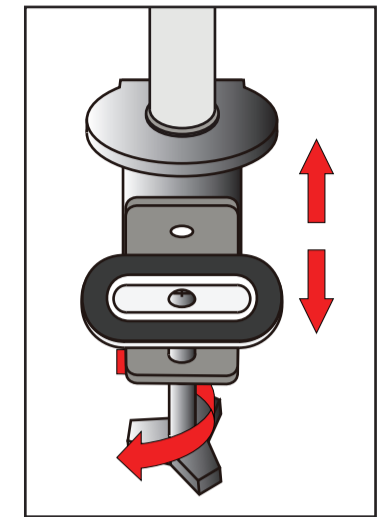
C. Screw in the screw to connect both the pole and clamp component securely.

SUPPORT@CTADIGITAL.COM

2. Assemble Clamp Components Together

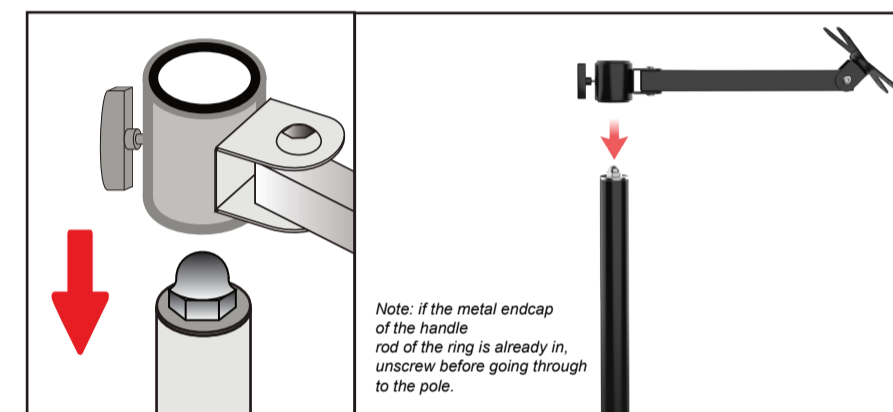


A. Align the preferred (2) screw holes of both clamp components. Then screw in both screws until securely tightened.

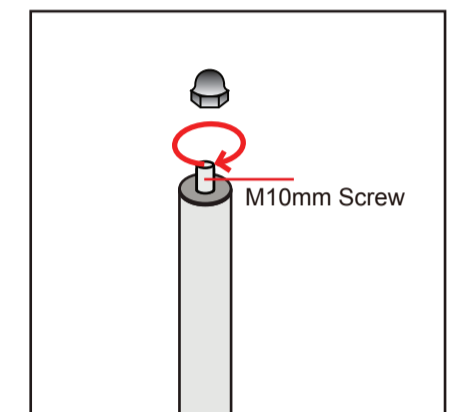


B. Adjust the clamp and tightening rod to fit with different table/surface thickness.

3. Attaching adjustable VESA Plate onto Pole

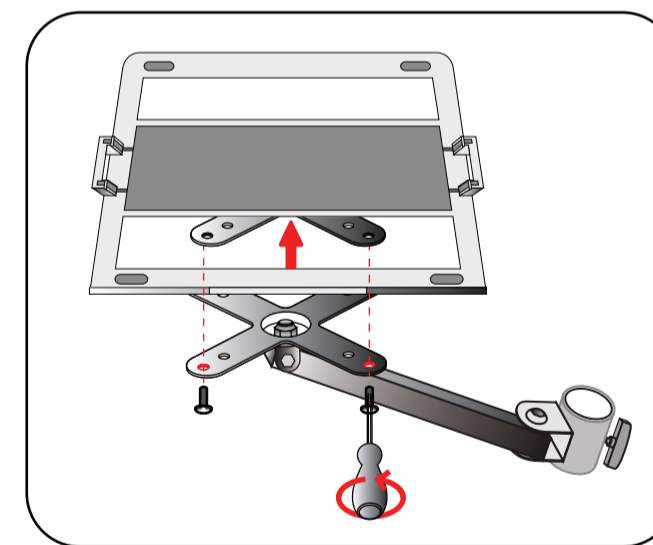


A. Loosen all VESA Plate pole grips. Slide down each VESA plate to desired position then, tighten pole grip. Adjust VESA angle and orientation as preferred. Repeat steps for other VESA plates.



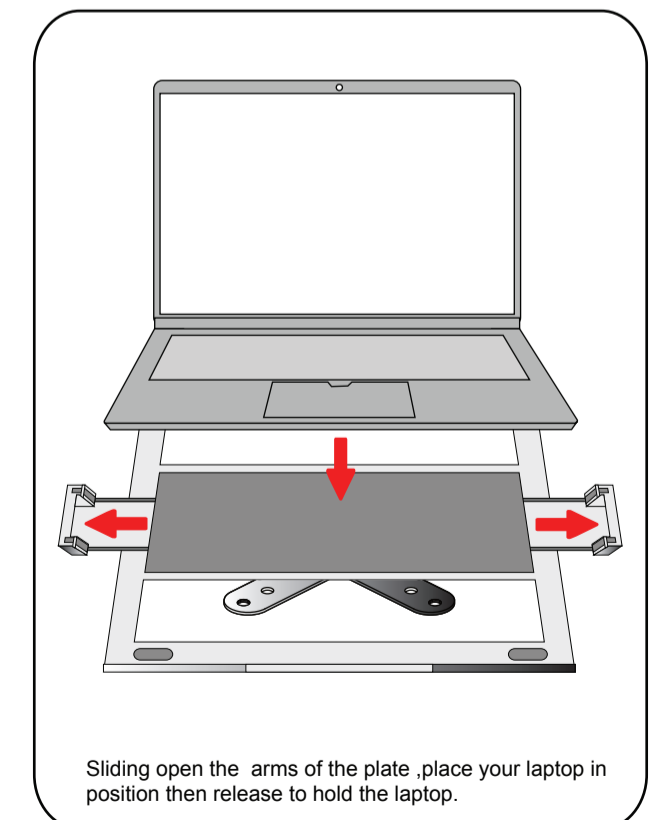
B. Screw on clockwise metal endcap until securely tightened.

4. Connecting VESA to VESA



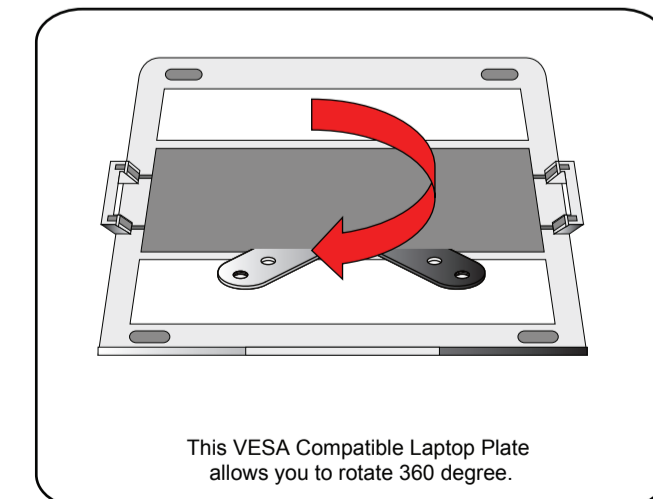
This VESA Compatible Laptop Plate allows you to connect with other VESA devices by screwing up the bolts with a screwdriver as shown.

Installing Laptop into Plate



Sliding open the arms of the plate, place your laptop in position then release to hold the laptop.

Adjusting the Laptop Plate



This VESA Compatible Laptop Plate allows you to rotate 360 degree.

SUPPORT@CTADIGITAL.COM