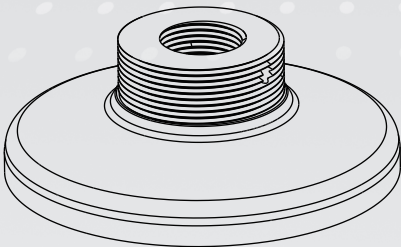


# VIVOTEK Fixed Dome Series Mounting kit

Using

**AM-52E** Mounting Adapter,  
AM-118 Pendant Head (indoor),  
AM-114 Pendant Head (outdoor)  
AM-116 and AM-117 Pendant Pipes,  
AM-522 NPT adaptor  
AM-218 Wall Mount,  
AM-312 Pole Mount,  
AM-412 Corner Mount

## Installation Guide



Corresponding part number:

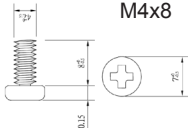
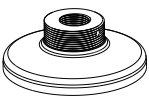
AM-52E: 100217700G  
AM-116: 900014301G  
AM-117: 900014401G  
AM-118: 900014601G  
AM-312: 900034802G  
AM-412: 900034902G  
AM-522: 900020202G  
AM-218: 100146100G  
AM-114: 900004101G

Rev. 1.0

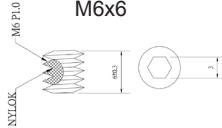
## Revision History:

Rev. 1.0: Initial release.

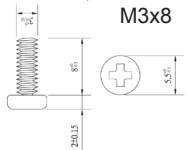
## AM-52E Mounting Adapter Package Contents



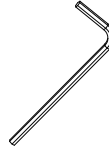
M4x8



M6x6



M3x8



M3 hex

## Applications



AM-118



AM-118

AM-522

NPT adaptor

AM-116

AM-117

NPT pipe

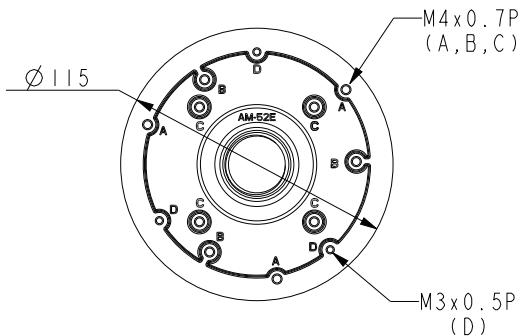
AM-52E

AM-52E

For other applications, please refer to page 13.

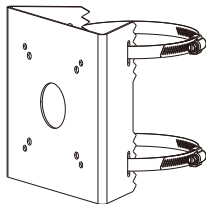
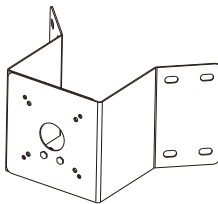
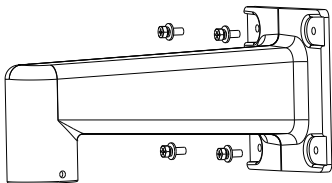
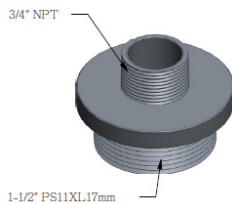
# 1 Compatible VIVOTEK Cameras

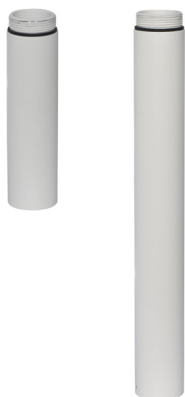
Combination	Compatible Models	Screw
Direct installation: AM-118/114 + AM-117/116 + AM-52E	A: FD9360-H, FD9380-H	M4x8
	B: IT9388-HT	
	C: IT9360-H, IT9380-H	
	D: IT9389-H, IT9389-HT	M3x8



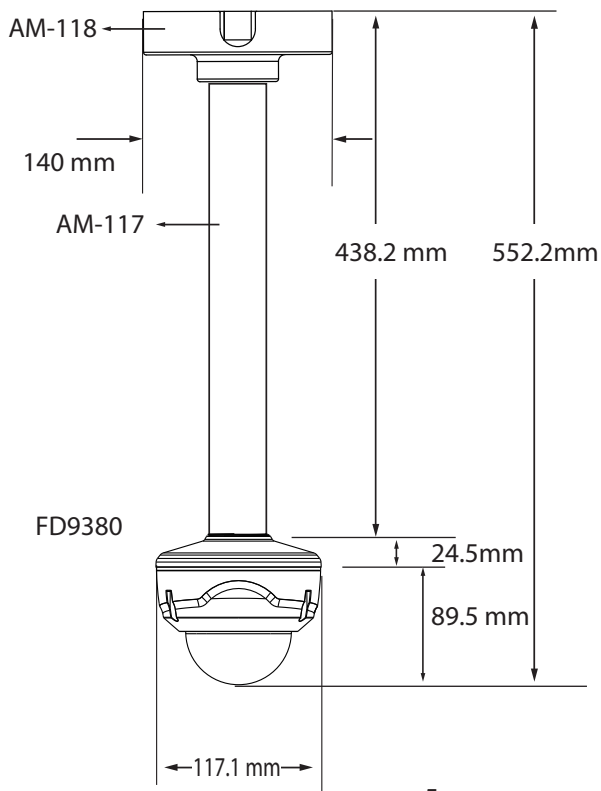
## WARNING:

1. Select a suitable location where the camera is free from accidental damage, tampering, or harsh environmental conditions.
2. Locate a place for the installation where the camera can not be intentionally or unintentionally interfered.
3. Select a solid and flat mounting surface that can support the combined weight of the camera and associated hardware. Vibration and temperature range should also be taken into consideration.

**Compatible Accessories (1): AM-312 Pole Mount Bracket****Compatible Accessories (2): AM-412 Corner Mount Bracket****Compatible Accessories (4-3): AM-218 Wall-mount Bracket****Compatible Accessories (5-1): AM-118 Pendant Head****Compatible Accessories (5-2): AM-114 Pendant Head****Compatible Accessories: AM-522 Pendant NPT Adaptor**

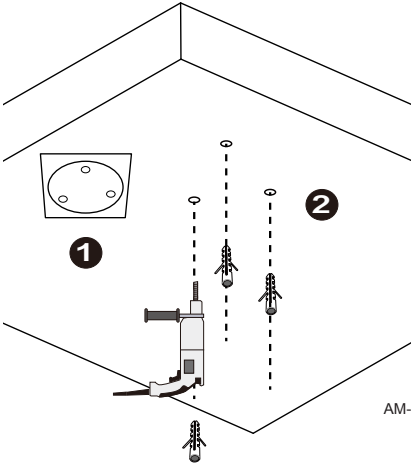
**Compatible Accessories (5-2): AM-116 and AM-117 Pendant Pipe**

Shown below are the mounting dimensions using a 40cm pendant pipe (AM-117).



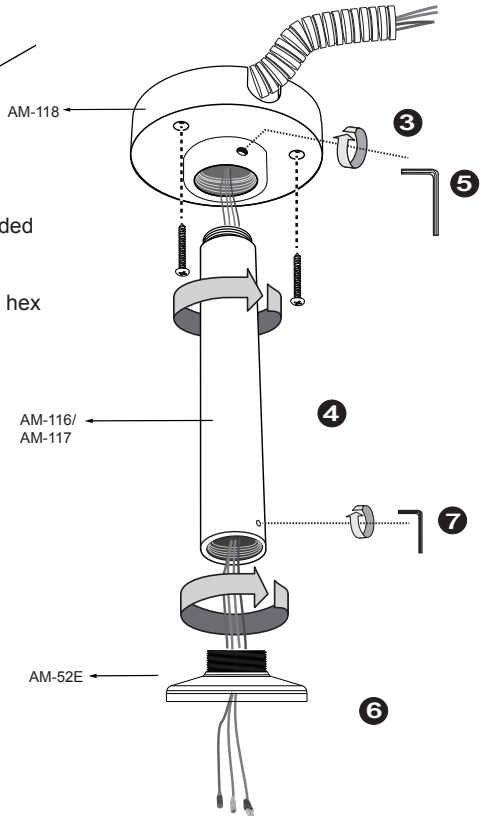
### 3 Direct Installation

#### 3-1. Using the Pendant Pipe

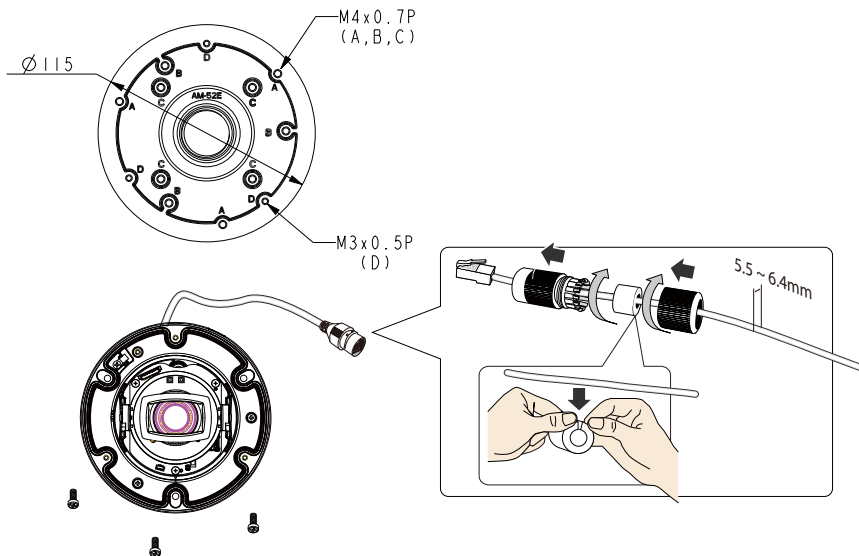


1. Determine a hard surface ceiling location, and use the included alignment sticker for marking three mounting holes as where holes will be drilled to secure the pendant head.
2. Hammer in the plastic anchors.

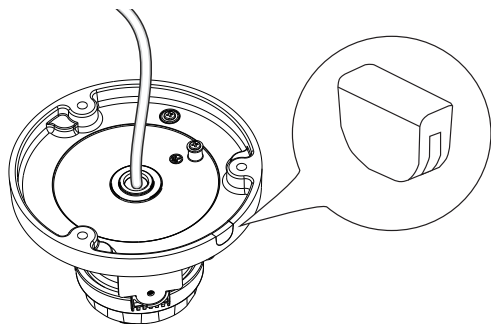
3. Secure pendant head using the included screws.
4. Install the pendant pipe.
5. Tighten the retention screw using the hex wrench.
6. Install the AM-52E.
7. Tighten the retention screw using the included hex wrench.



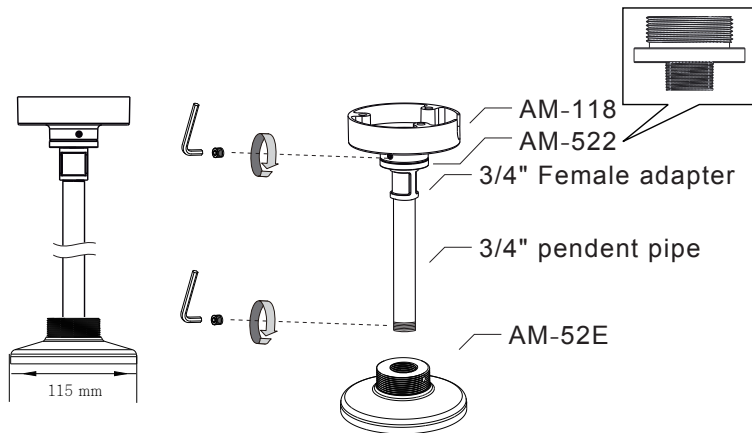
8. Pull the cables through the pendant pipe, and install the waterproof cable gland. Install the camera using the corresponding mounting holes.



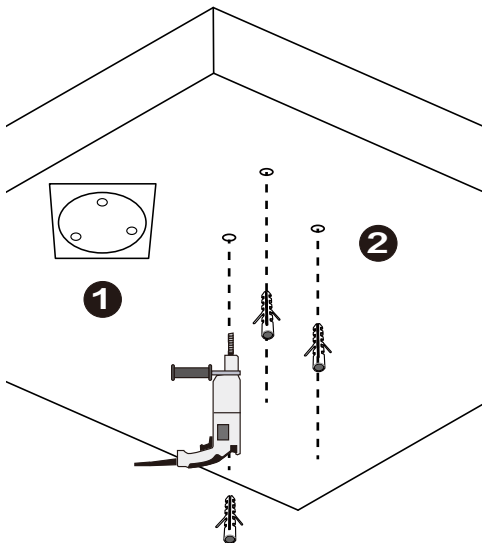
Some cameras come with a side-routing cutout. Use the included side lid to seal the cutout.



### 3-2. Using the 3/4" NPT Pipe

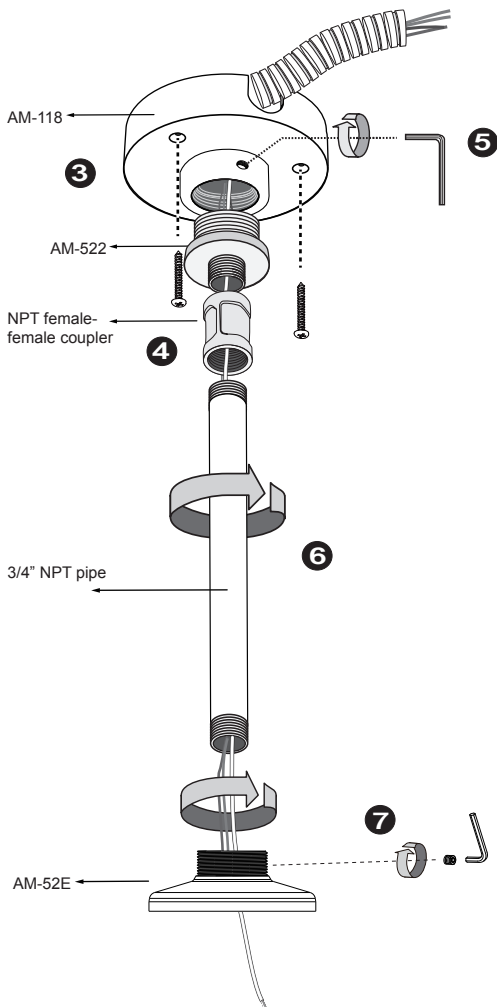


1. Determine a hard surface ceiling location, and use the included alignment sticker for marking three mounting holes as where holes will be drilled to secure the pendant head.
2. Hammer in the plastic anchors.

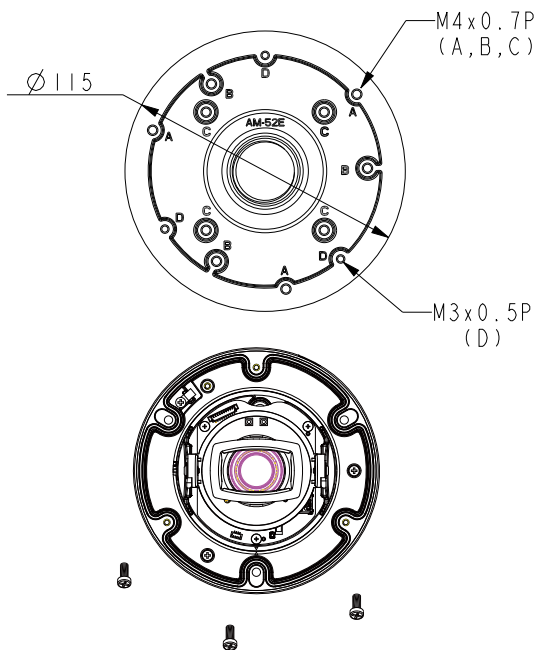




- Secure the pendant head using the included screws.
- Install the AM-522 adaptor and the NPT female-female coupler (user-supplied)
- Tighten the hex socket screw using the hex wrench.
- Install the 3/4" NPT pipe of a preferred length.
- Install the AM-52E.



8. Pull the cables through the NPT pipe and the camera base. Align the camera's mounting holes with the associated holes on the bracket. It is recommended to install the waterproof cable gland.



## 4 Using Other Accessories

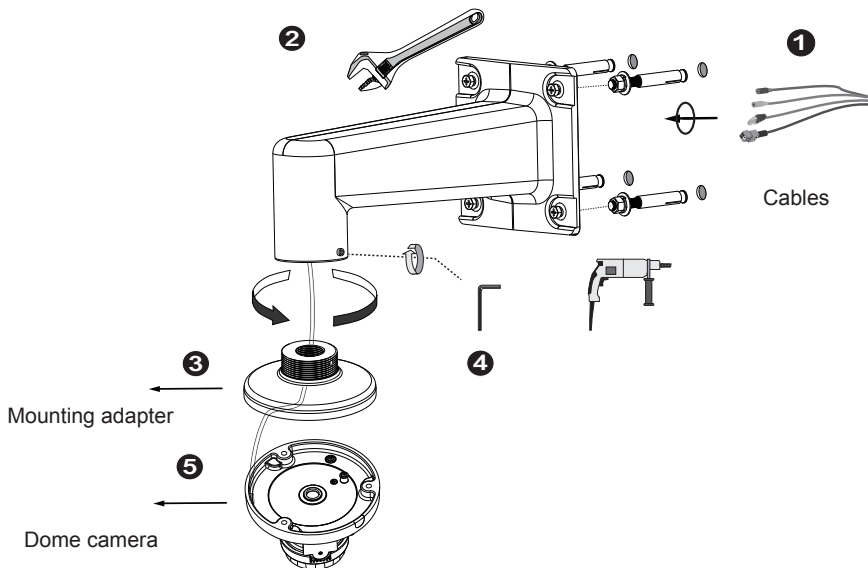
### 4-1. Wall-mount Installation - AM-218

Below is a general, sample procedure using a gooseneck bracket:

1. Route the Ethernet and/or other cables through the wall and the bracket.
2. Locate the position where you want to install the wall-mount bracket and camera. Drill holes on the wall for securing the bracket and for routing the cables.  
Secure the bracket by hammering anchors into the wall and then fasten screws through it. Drill 10mm holes in diameter and 60mm deep.
3. Attach the mounting adapter to the bracket by rotating it clockwise until it is tightly fastened.

#### WARNING:

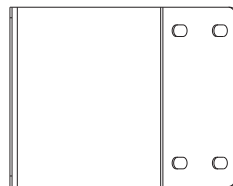
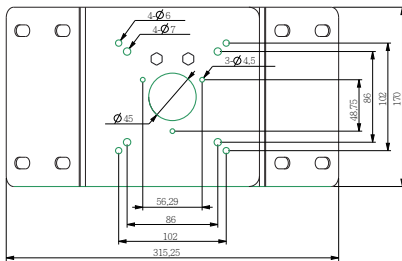
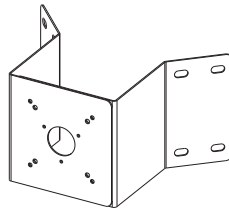
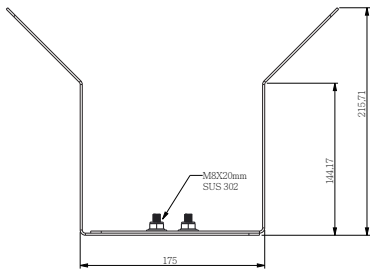
When you hammer the threaded anchors into wall, keep the nuts and washers on them in case the top of threaded poles can be deformed during the process.

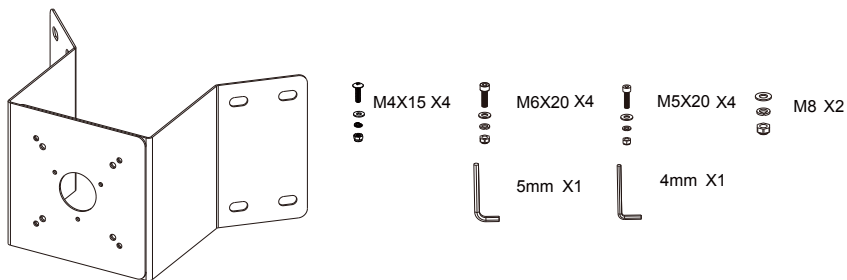


4. Use a hex wrench to secure the mounting adaptor to the wall-mount bracket.
5. When cabling is done, proceed with initial setup such as enabling network access, focus tuning, or zooming. When done, secure the outer dome cover.

## 4-2. Corner Mount Installation

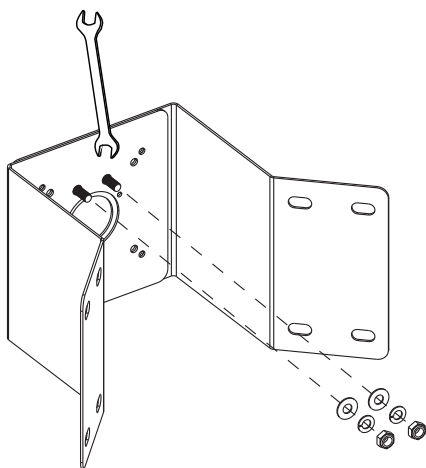
Dimension drawing:



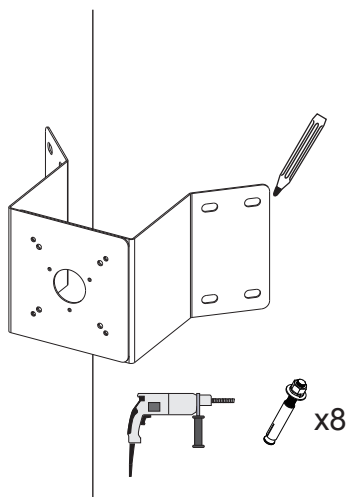


Below is a general, sample procedure using a Corner mount bracket:

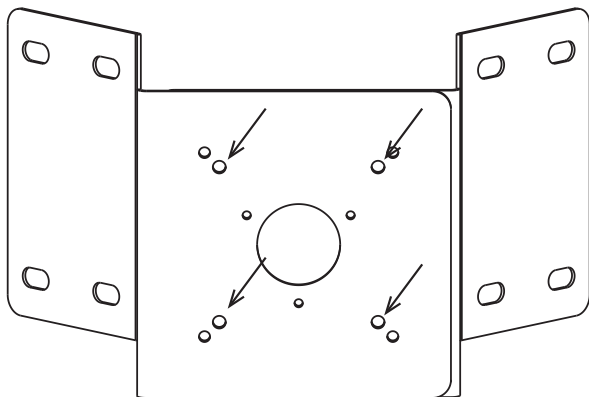
1. Combine the two metal pieces together using the M8 hex nuts and washers.



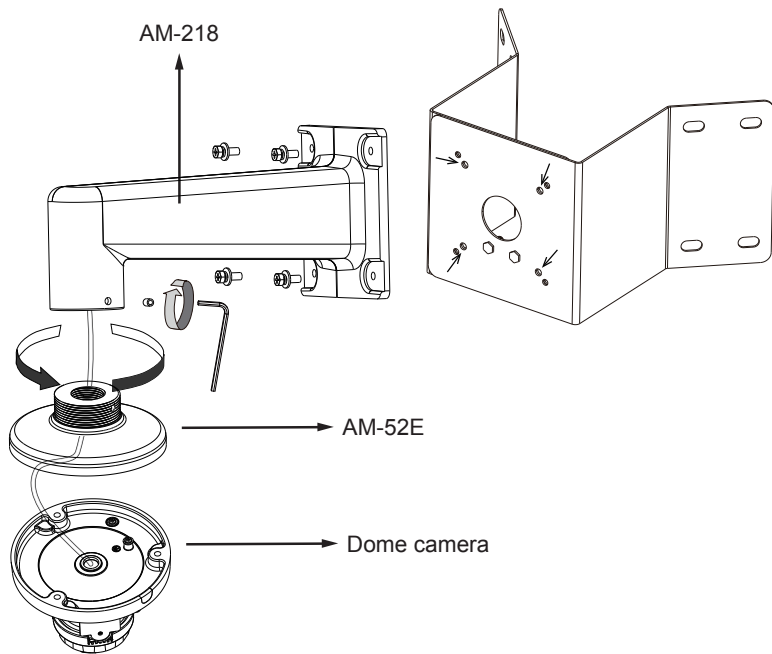
2. Align the assembled brackets with the desired position. Align screw holes on the brackets against the wall. Drill holes on the wall for securing the bracket and for routing the cables. Hammer the anchors into the wall. Note that these screws and wall anchors are user-supplied.



The 4 screw holes marked below are used for mounting the bracket (using the M4 screws).



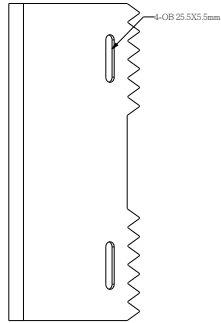
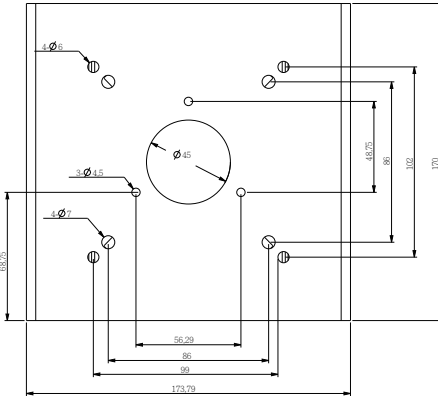
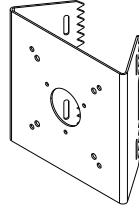
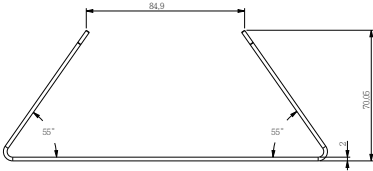
3. Install the AM-218 bracket to the top of AM-312. Install the AM-52E to the bracket and tighten the retention hex screw.



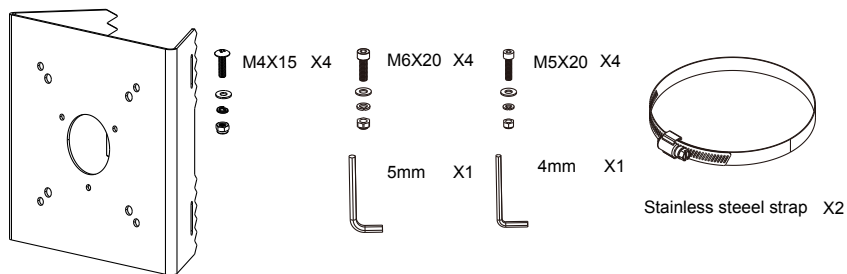
### 4-3. Pole Mount Installation



The pole mount bracket is designed to accommodate a pole in a diameter ranging from 90 ~ 152mm (3.5 ~ 6 inches)

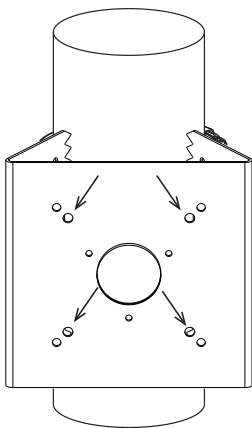




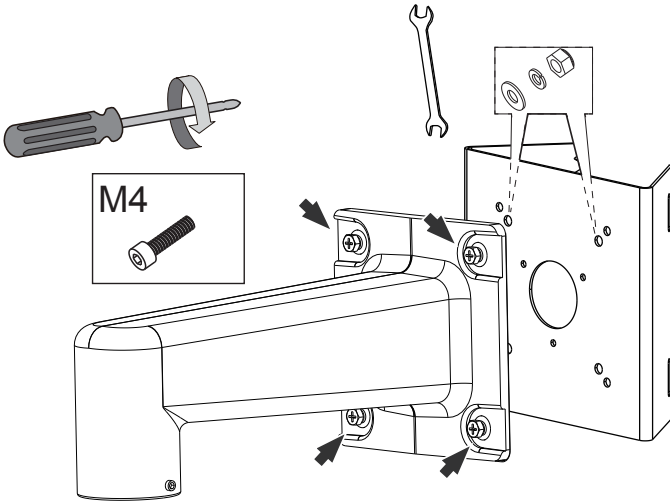


Below is a general, sample procedure using a Pole mount bracket:

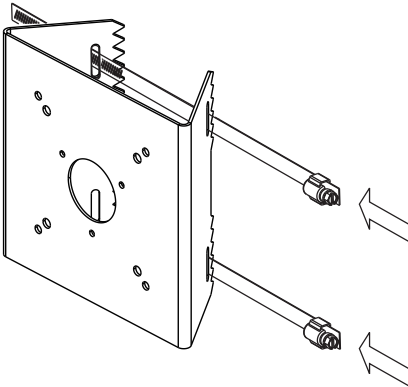
Use the mounting holes indicated below for the conduit box.



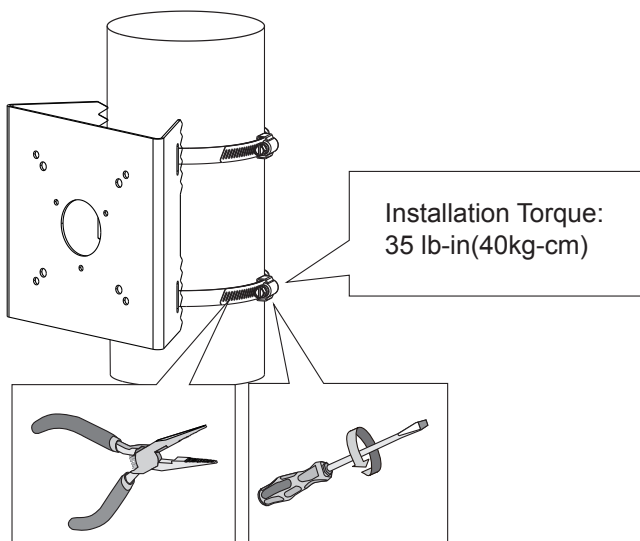
1. Secure the AM-719 conduit box to bracket using the M4 screws, washers, and hex heads. A hex crescent wrench is required. You can do this before you install the pole-mount bracket.



2. Pass the stainless steel straps through the bracket and around the pole.



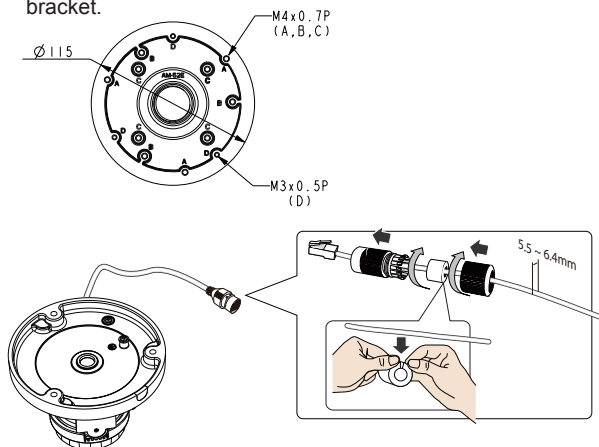
4. Tighten the straps using a pincer plier and a flat blade screwdriver.



The corresponding mounting holes and cameras are shown below:

Combination	Compatible Models	Screw
Direct installation: AM-52E	A: FD9360-H, FD9380-H	M4x8L
	B: IT9388-HT	
	C: IT9360-H, IT9380-H	

6. Install the AM-52E to the bracket and install your camera to the AM-52E adapter bracket.



---

This page is intentionally left blank.