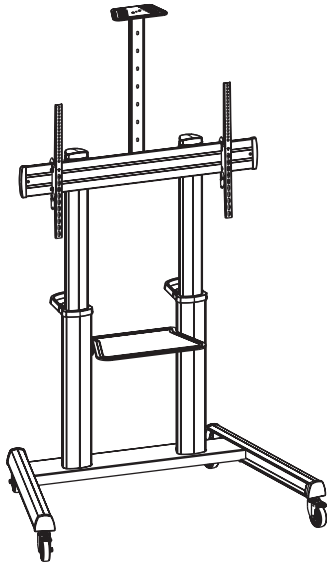


Owner's Manual



Super Heavy-Duty Mobile Display Cart with UL Certification & Antimicrobial Protection

Model: DMCS70120AMUL



CAUTION: DO NOT EXCEED MAXIMUM LISTED WEIGHT CAPACITY. SERIOUS INJURY OR PROPERTY DAMAGE MAY OCCUR!



200 x 200 / 300 x 200 /
300 x 300 / 400 x 200 /
400 x 300 / 400 x 400 /
600 x 400 / 800 x 400 /
800 X 600 / 1000 X 600



264 lb. // 120 kg
Flat-Panel
TV Mount

11 lb. // 5 kg
AV Shelf

11 lb. // 5 kg
Video Tray

Este manual está disponible en español en la página de Tripp Lite: tripplite.com

Ce manuel est disponible en français sur le site Web de Tripp Lite : tripplite.com

Русскоязычная версия настоящего руководства представлена на веб-сайте компании Tripp Lite по адресу: tripplite.com

Dieses Handbuch ist in deutscher Sprache auf der Tripp Lite-Website verfügbar: tripplite.com

WARRANTY REGISTRATION

Register your product today and be automatically entered to win an ISOBAR® surge protector in our monthly drawing!



tripplite.com/warranty



TRIPP-LITE






1111 W. 35th Street, Chicago, IL 60609 USA • tripplite.com/support

Copyright © 2021 Tripp Lite. All rights reserved.

Safety Instructions



Do not begin installation until you read and understand the instructions and warnings contained in this manual. If you have any questions regarding any of the instructions or warnings, visit triplite.com/support.

-  Death or serious injury may occur when children climb on audio and/or video equipment furniture. A remote control or toys placed on the cart may encourage a child to climb on the cart, causing it to tip over onto the child.
 -  Relocating audio and/or video equipment to furniture not specifically designed to support the audio and/or video equipment may result in death or serious injury caused by the furniture collapsing or turning over onto a child.
 -  Use with equipment heavier than the rated weights indicated may result in instability, causing possible injury.
- Closely follow assembly instructions. Improper installation may result in instability, causing possible injury.
 - Safety gear and proper tools must be used. This product should be installed only by qualified professionals.
 - Ensure the supporting surface will safely support the combined weight of the equipment and all attached hardware and components.
 - Use the mounting screws provided. **DO NOT OVERTIGHTEN** mounting screws.
 - This product contains small items that could be a choking hazard if swallowed. Keep these items away from children.
 - This product is intended for indoor use only. Using this product outdoors could lead to product failure and personal injury.

Warranty and Product Registration

5-Year Limited Warranty

Seller warrants this product, if used in accordance with all applicable instructions, to be free from original defects in material and workmanship for a period of 5 years from the date of initial purchase. If the product should prove defective in material or workmanship within that period, Seller will repair or replace the product, in its sole discretion.

THIS WARRANTY DOES NOT APPLY TO NORMAL WEAR OR TO DAMAGE RESULTING FROM ACCIDENT, MISUSE, ABUSE OR NEGLIGENCE. SELLER MAKES NO EXPRESS WARRANTIES OTHER THAN THE WARRANTY EXPRESSLY SET FORTH HEREIN. EXCEPT TO THE EXTENT PROHIBITED BY APPLICABLE LAW, ALL IMPLIED WARRANTIES, INCLUDING ALL WARRANTIES OF MERCHANTABILITY OR FITNESS, ARE LIMITED IN DURATION TO THE WARRANTY PERIOD SET FORTH ABOVE; AND THIS WARRANTY EXPRESSLY EXCLUDES ALL INCIDENTAL AND CONSEQUENTIAL DAMAGES. (Some states do not allow limitations on how long an implied warranty lasts, and some states do not allow the exclusion or limitation of incidental or consequential damages, so the above limitations or exclusions may not apply to you. This warranty gives you specific legal rights, and you may have other rights which vary from jurisdiction to jurisdiction.)

WARNING: The individual user should take care to determine prior to use whether this device is suitable, adequate or safe for the use intended. Since individual applications are subject to great variation, the manufacturer makes no representation or warranty as to the suitability or fitness of these devices for any specific application.

PRODUCT REGISTRATION

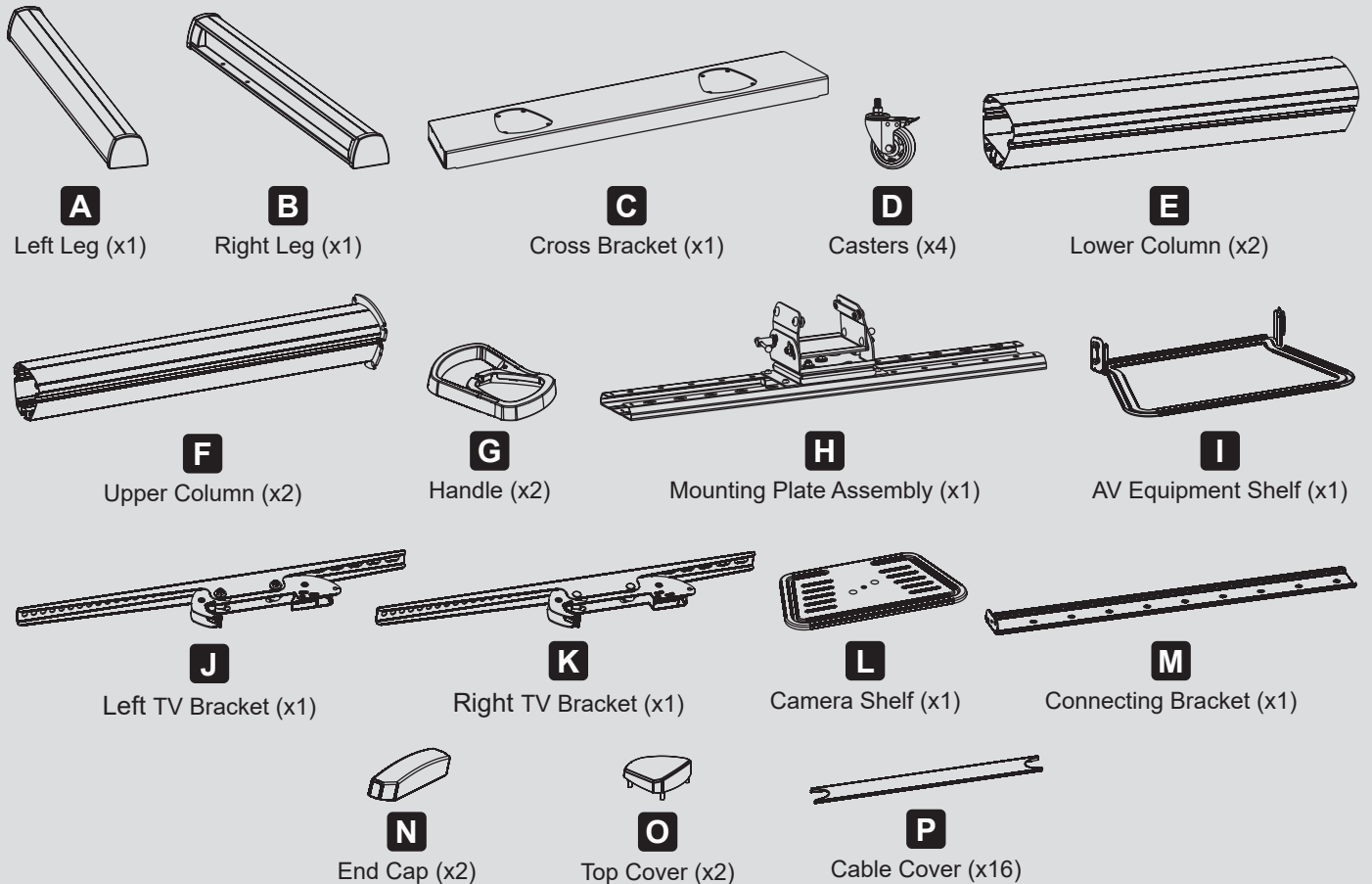
Visit triplite.com/warranty today to register your new Tripp Lite product. You'll be automatically entered into a drawing for a chance to win a FREE Tripp Lite product!*

* No purchase necessary. Void where prohibited. Some restrictions apply. See website for details.

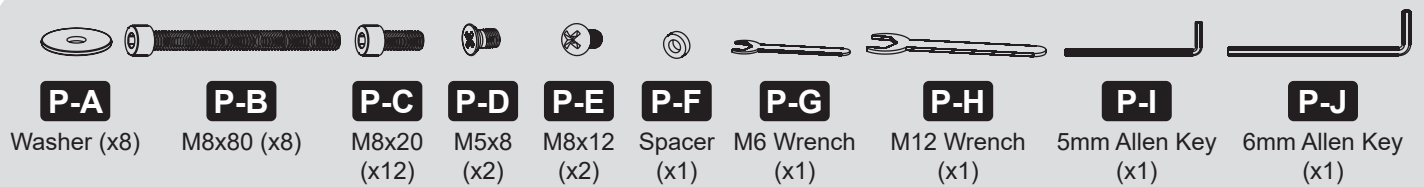
Tripp Lite has a policy of continuous improvement. Specifications are subject to change without notice. Photos and illustrations may differ slightly from actual products.

Component Checklist

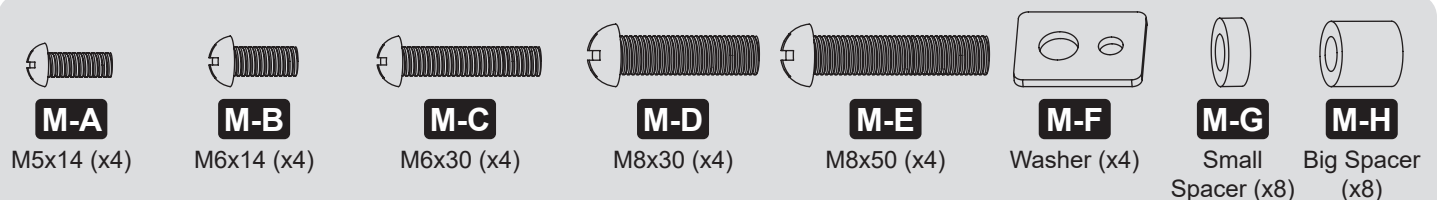
IMPORTANT: Ensure you have received all parts according to the component checklist prior to installing. If any parts are missing or faulty, visit triplite.com/support for service.



Package P

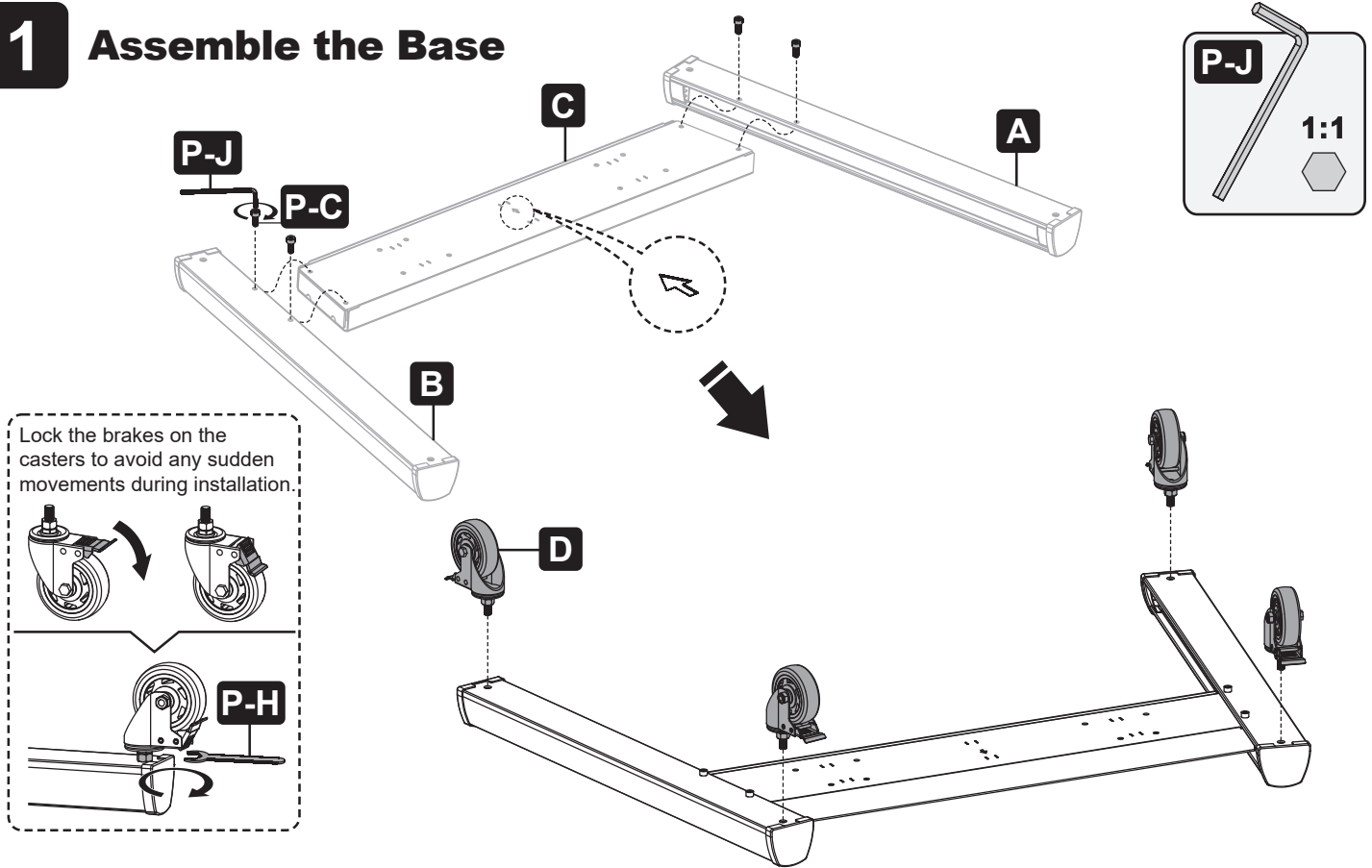


Package M

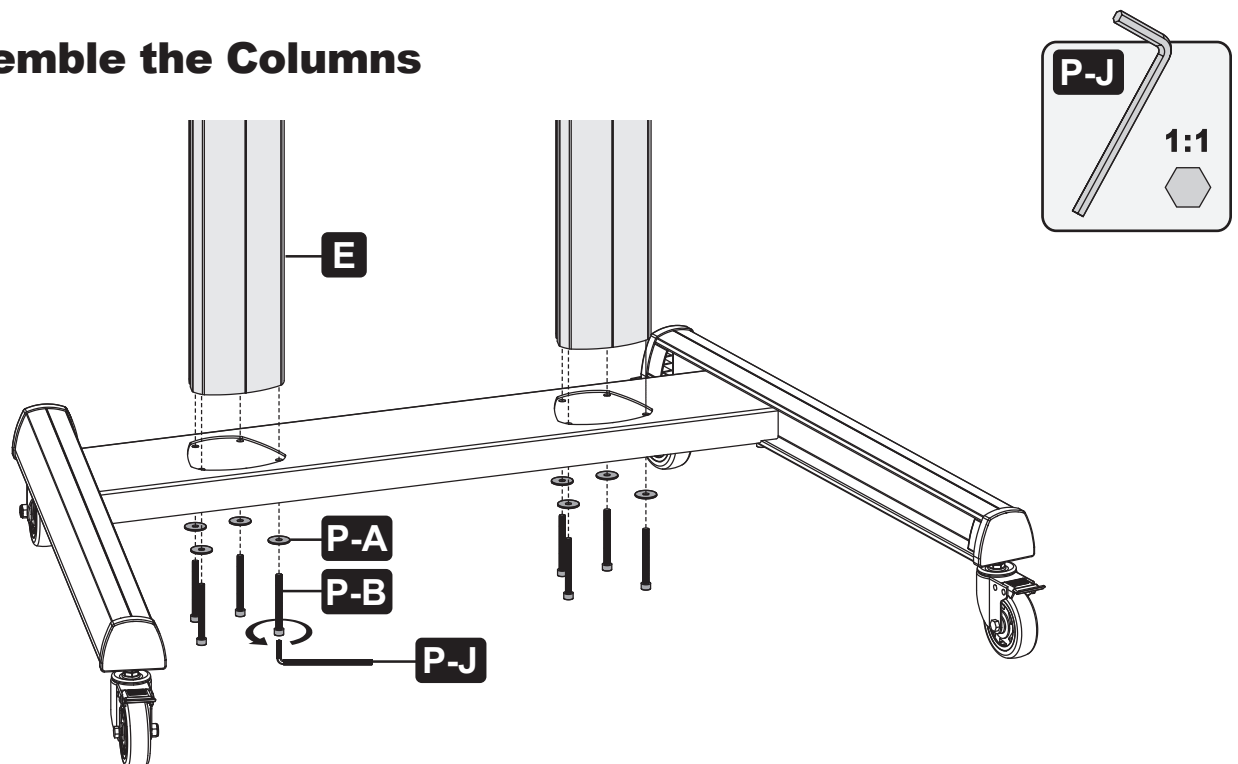


Assembly

1 Assemble the Base

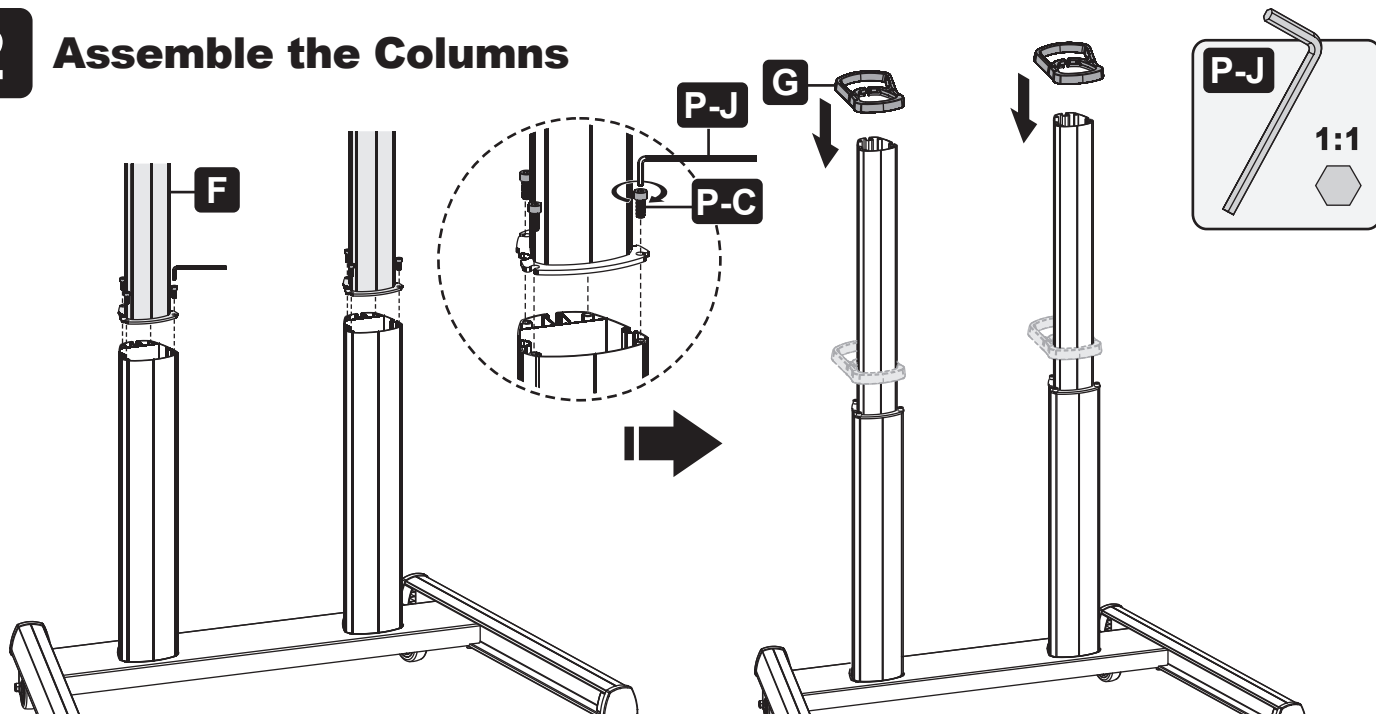


2 Assemble the Columns



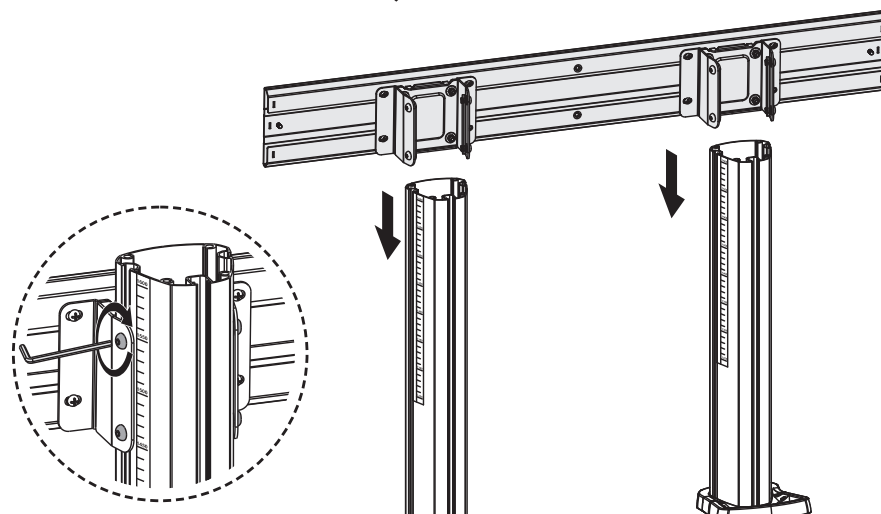
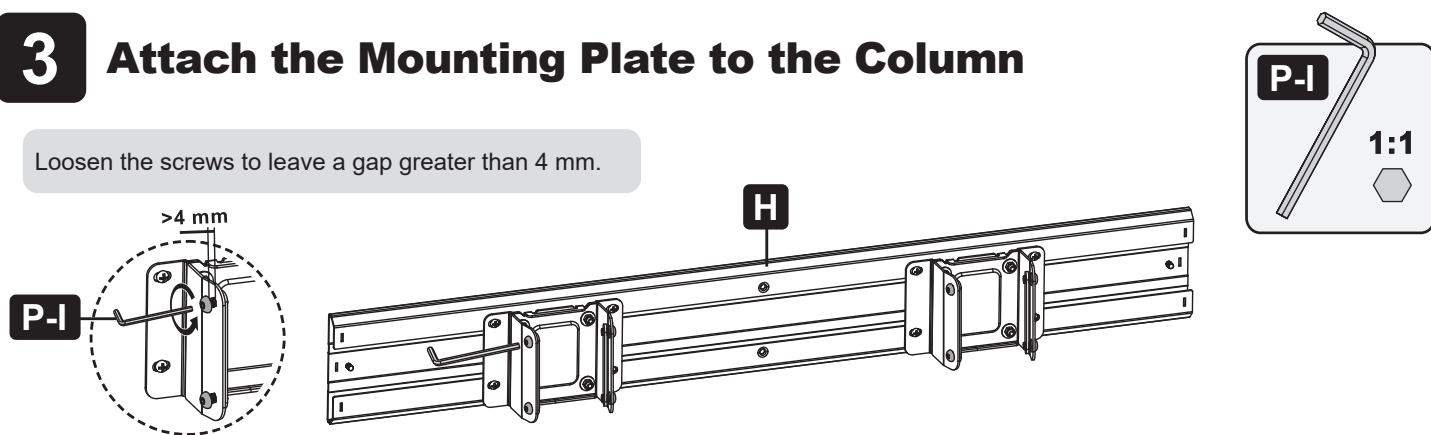
Assembly

2 Assemble the Columns



3 Attach the Mounting Plate to the Column

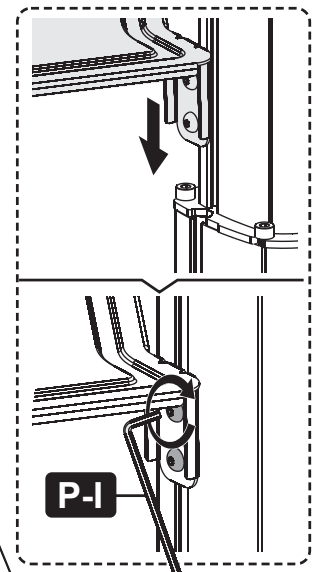
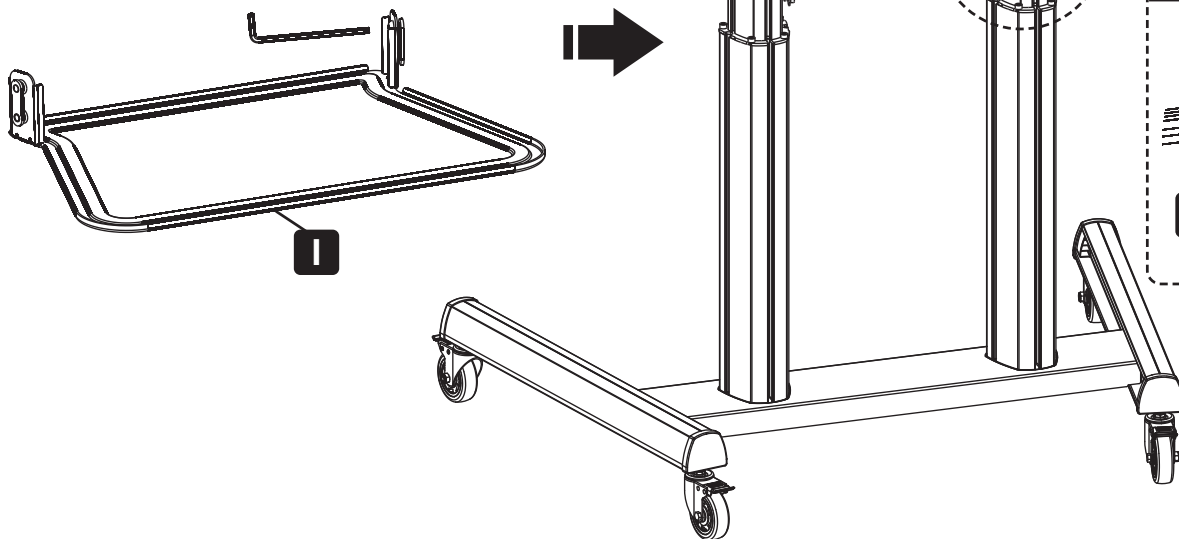
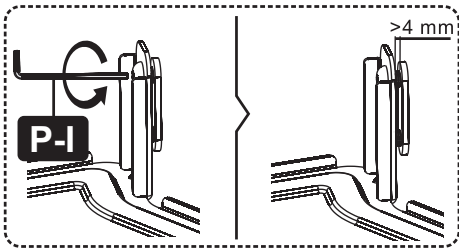
Loosen the screws to leave a gap greater than 4 mm.



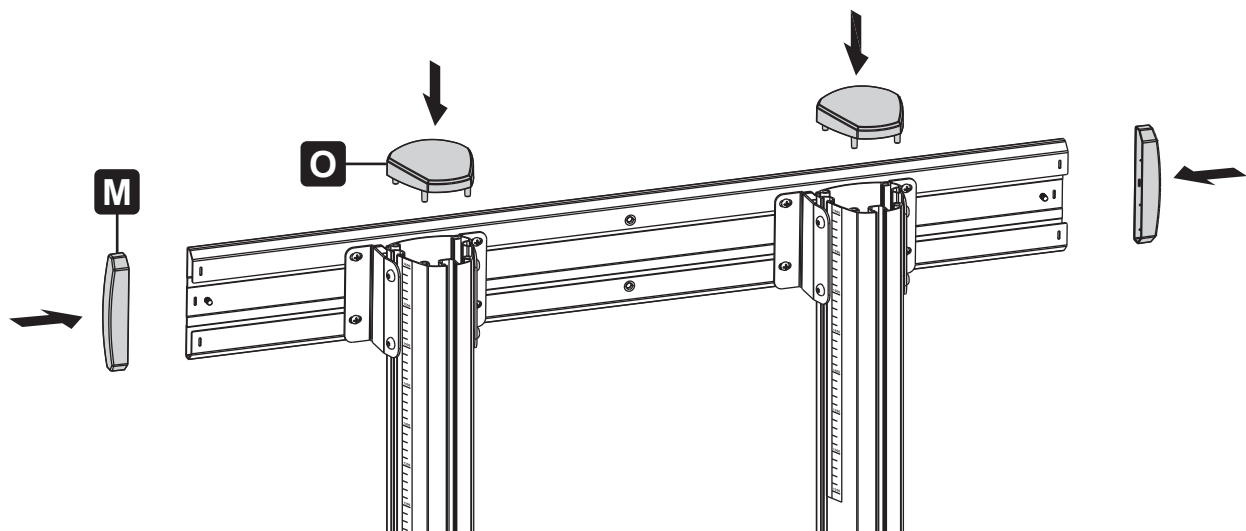
Assembly

4 Assemble the AV Equipment Shelf

Loosen the screws to leave a gap greater than 4 mm.

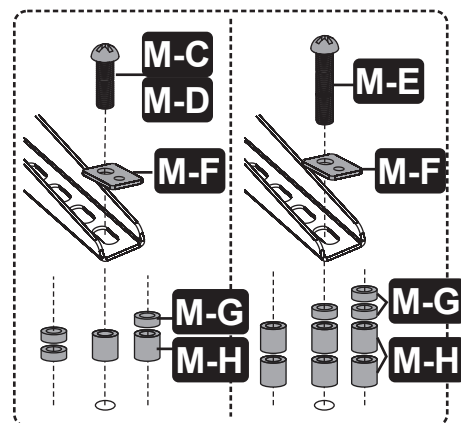
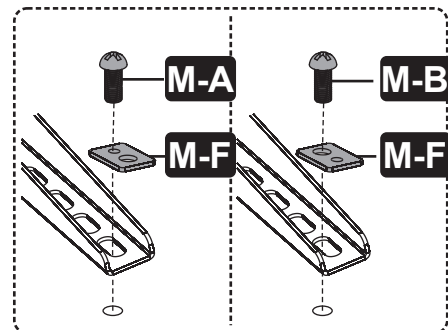
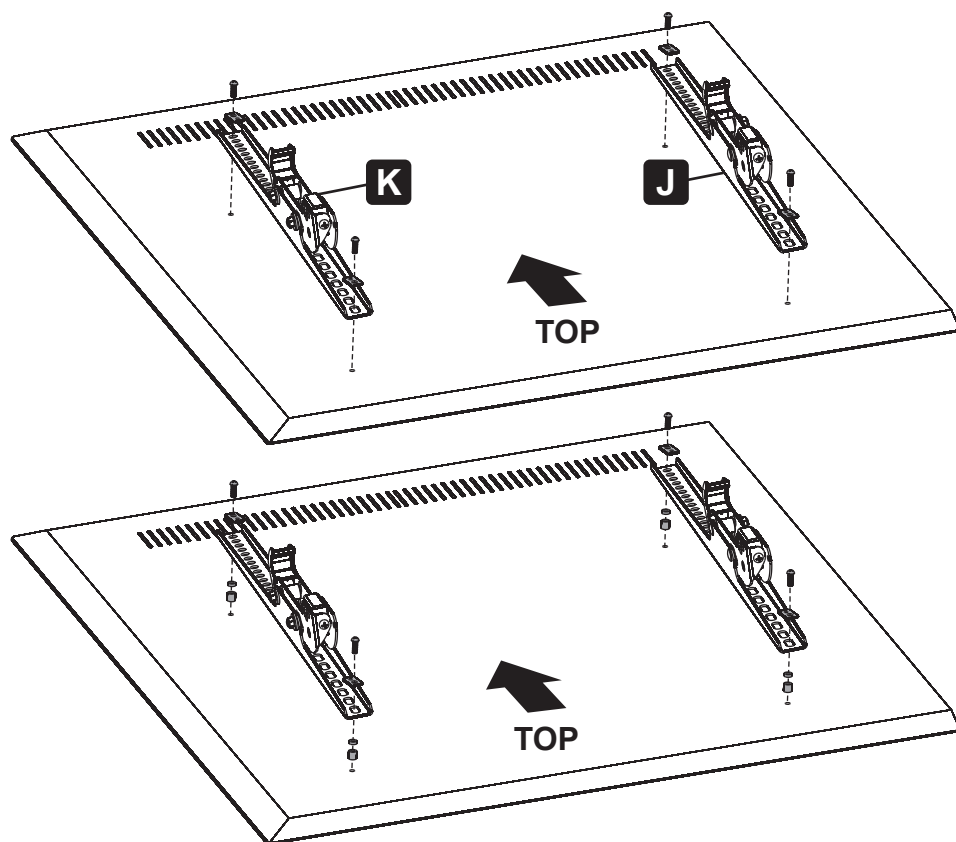
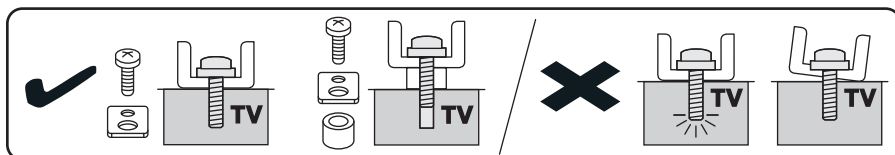
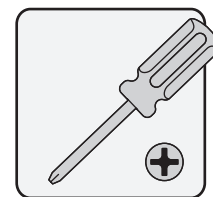


5 Assemble the Top Covers and End Caps



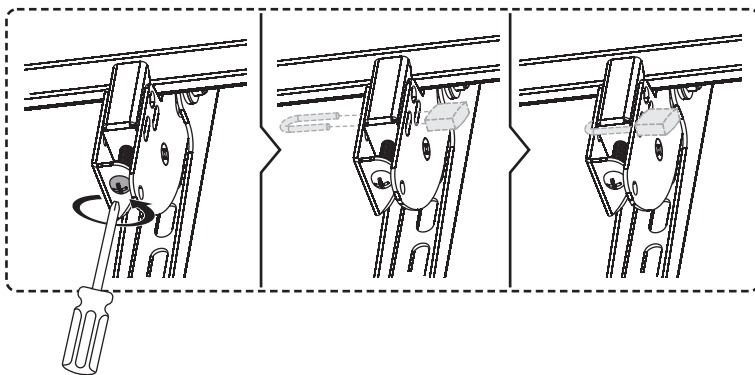
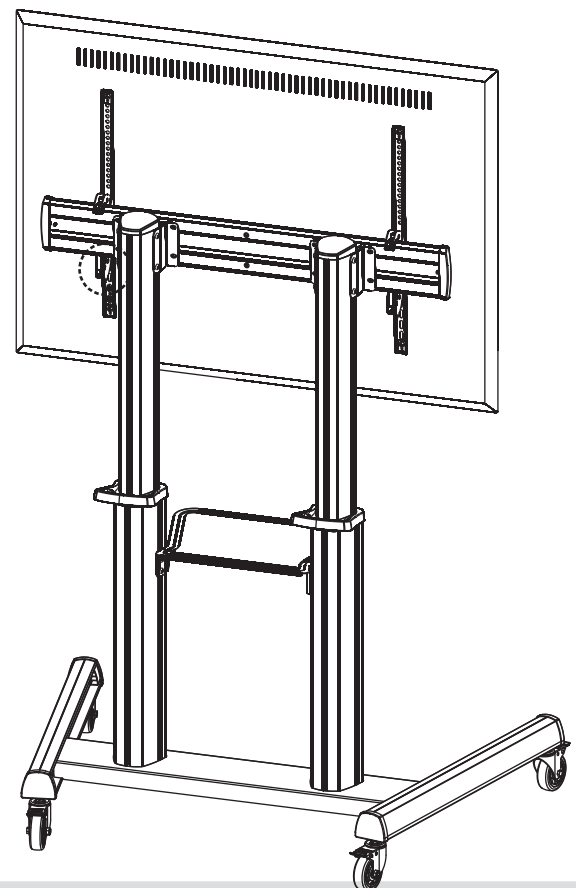
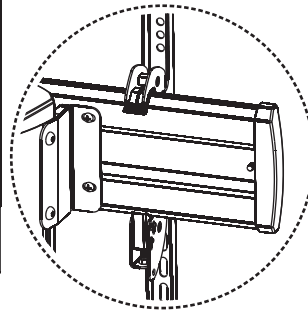
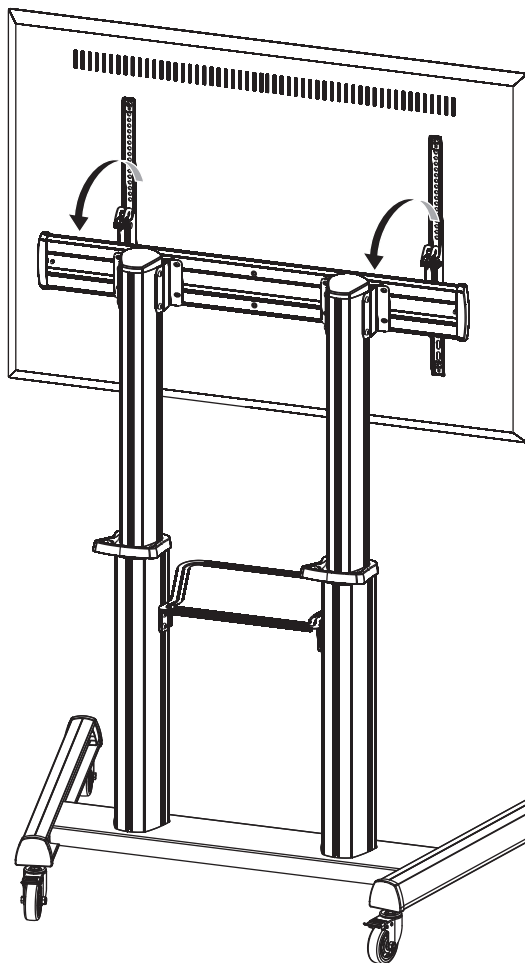
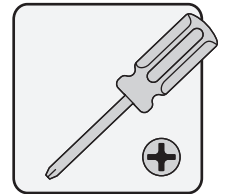
Assembly

6 Attach the TV Bracket to the Back of a Flat or Curved Screen



Assembly

7 Hang and Secure the Screen

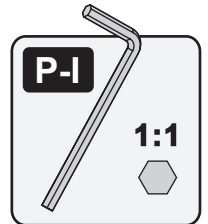
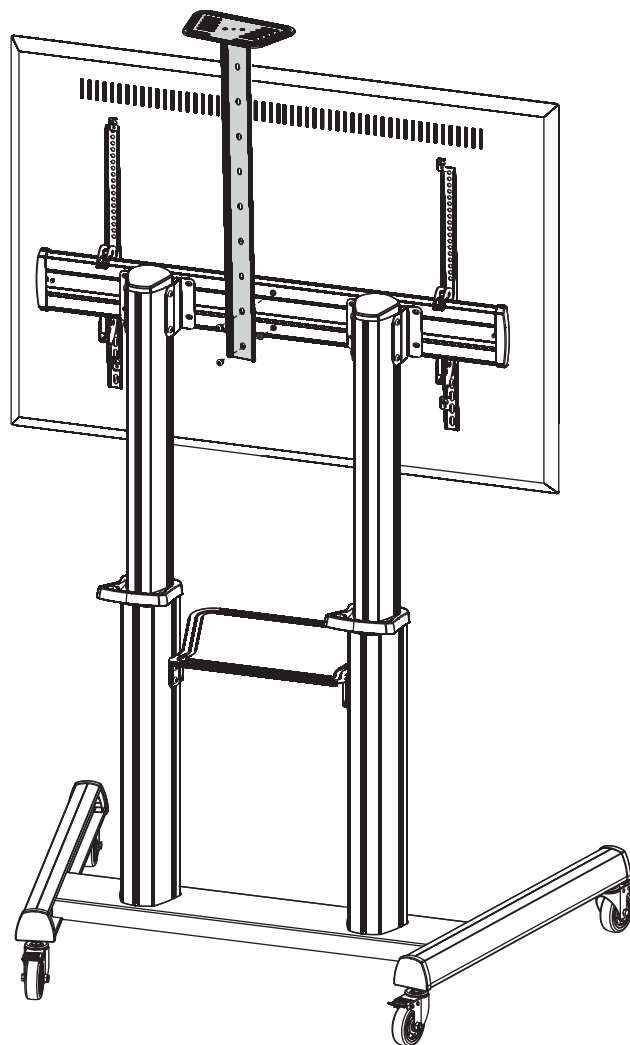
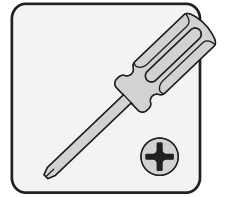
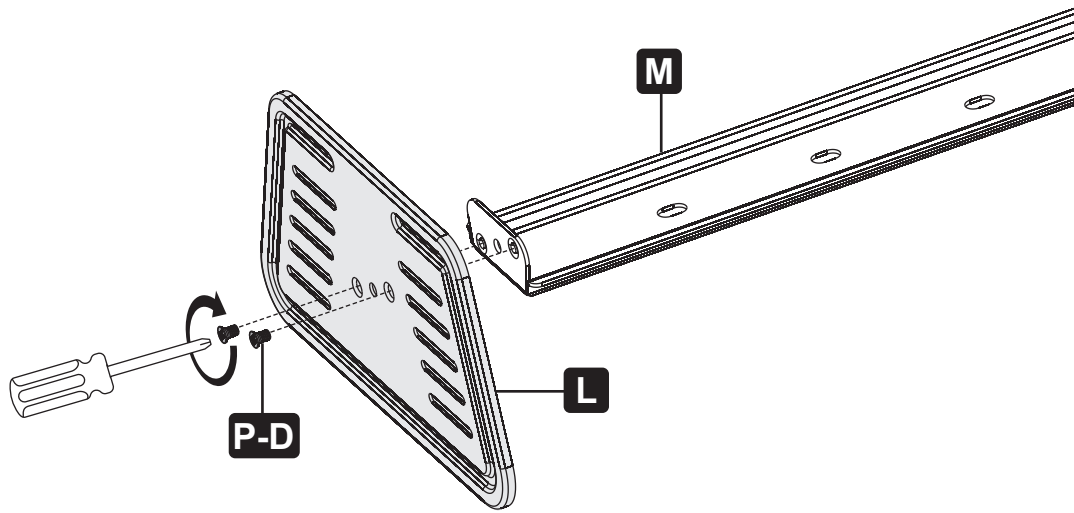


- Turn the bottom screw counterclockwise to tighten it.
- Turn the bottom screw clockwise to loosen it.
- Use a padlock (not included) to prevent theft of the display.

IMPORTANT: Ensure the display is correctly mounted before releasing the display.

Assembly

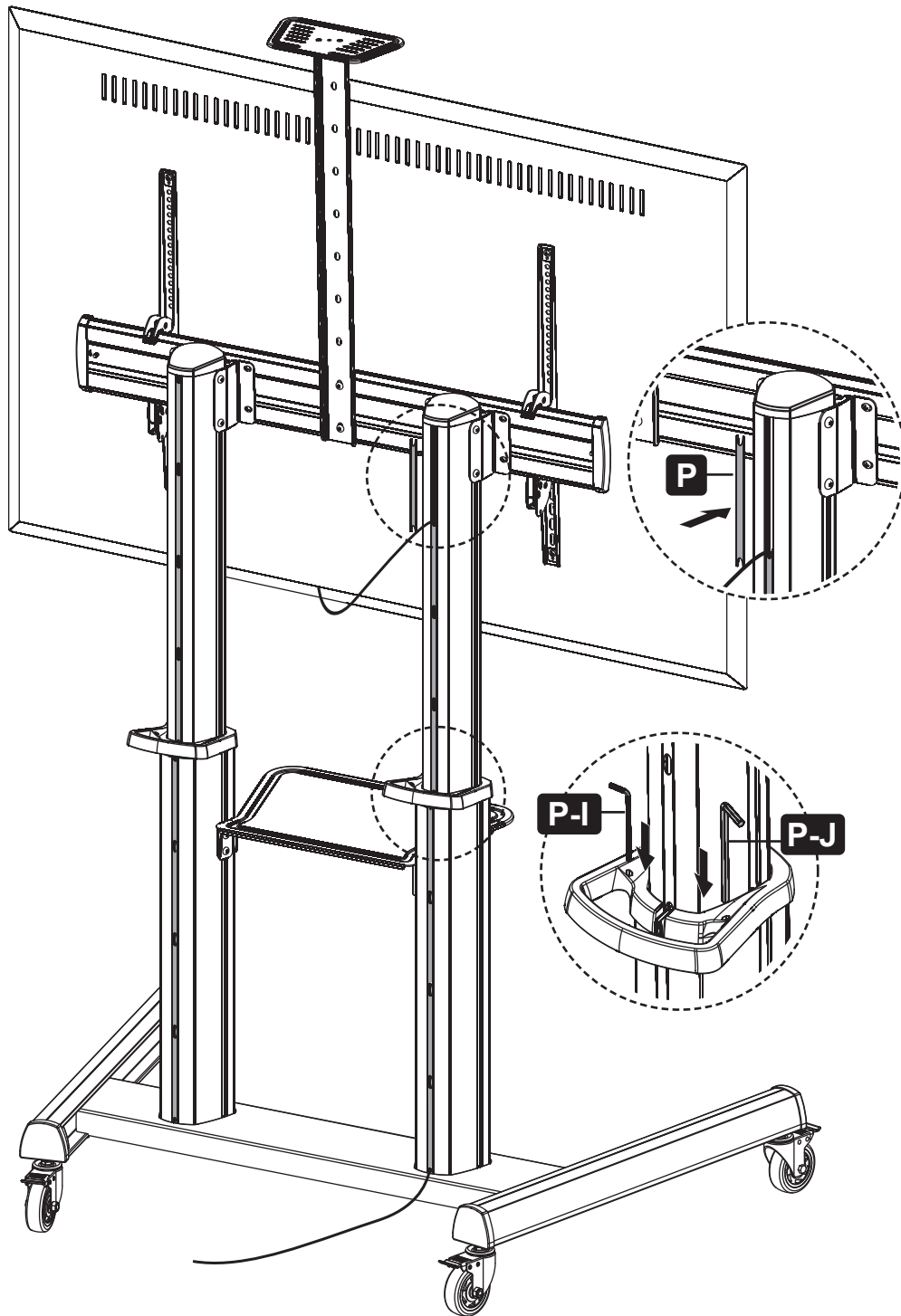
8 Assemble the Camera Shelf



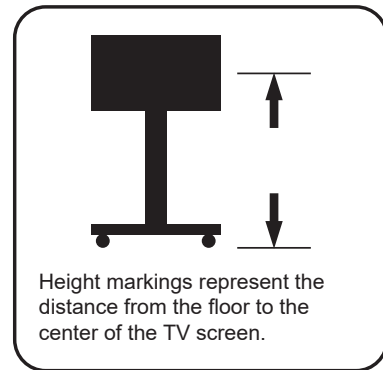
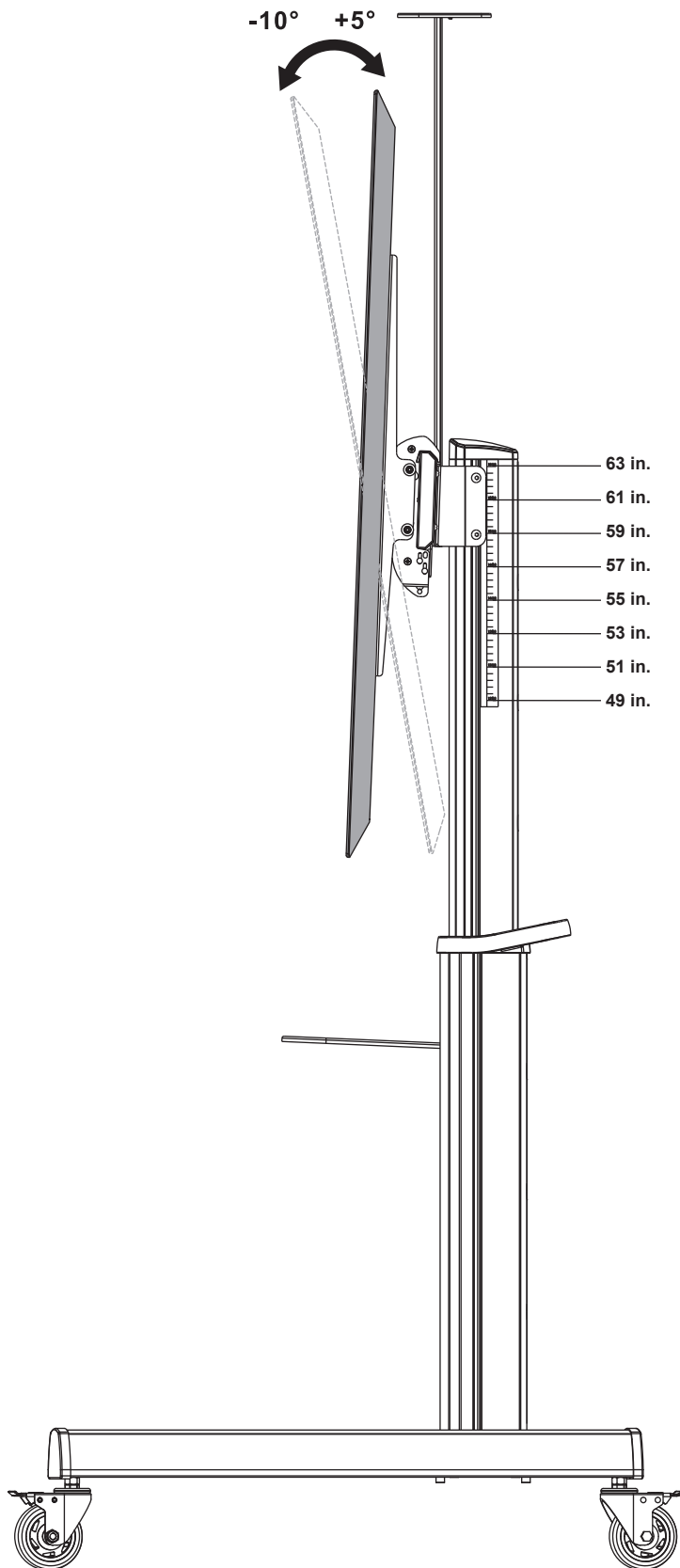
Attach the camera shelf to proper position according to the TV size.

Assembly

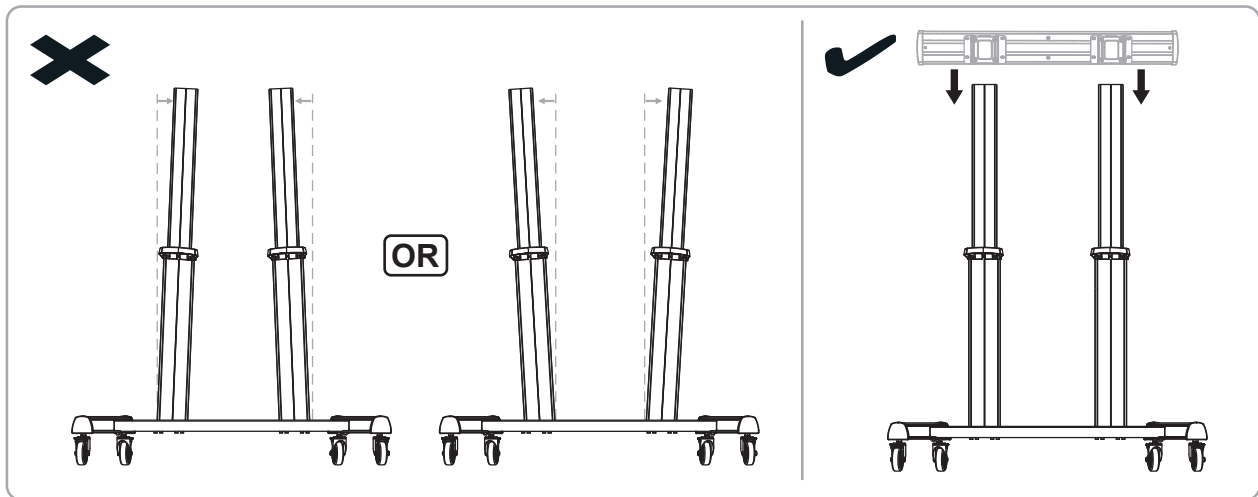
9 Cable Management



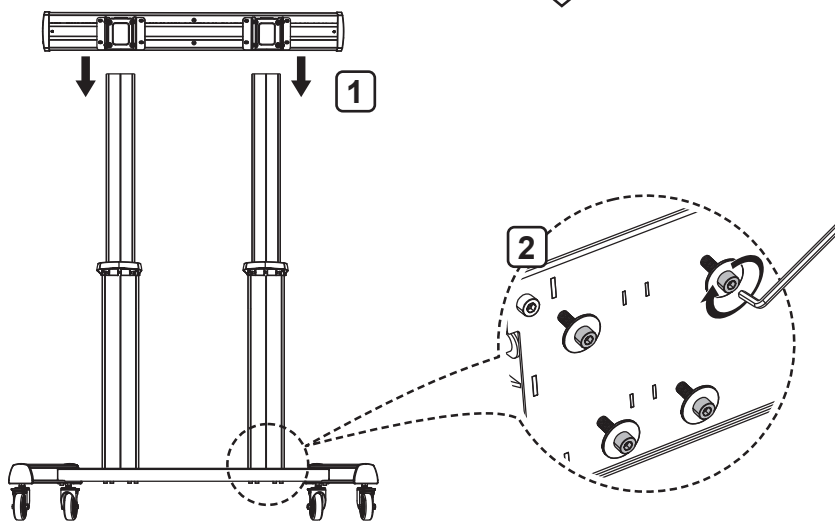
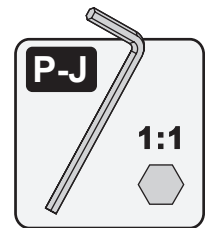
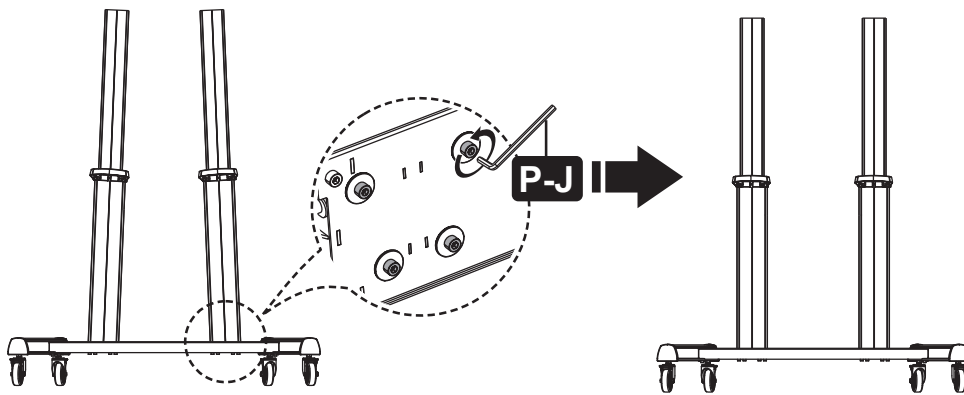
Adjustment



Troubleshooting



If the columns are not properly aligned, the mouting plate may fail to attach to the columns. Follow the steps below to re-assemble the columns.



Maintenance

- Check that the bracket is secure and safe to use at regular intervals (at least every three months).
- For any additional questions, visit tripplite.com/support.

