

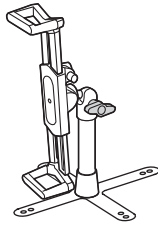


Security VESA and Wall Mount for 7-14 Inch Tablets

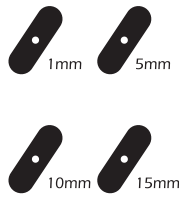
USER MANUAL - PAD-SVWMBXL

Contents

Security stand x 1



Foam pad x 4 kinds



Expansion bolts x 4



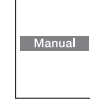
Silver screw x 4



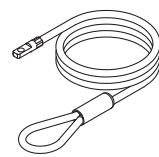
Key x 2



Manual x 1



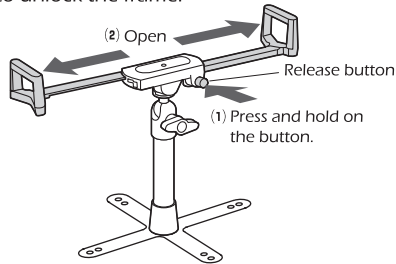
Cable x 1



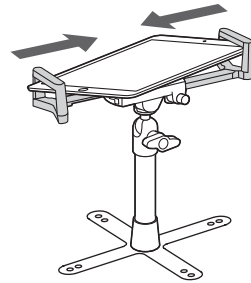
Warranty certificate x 1

How to install a tablet PC

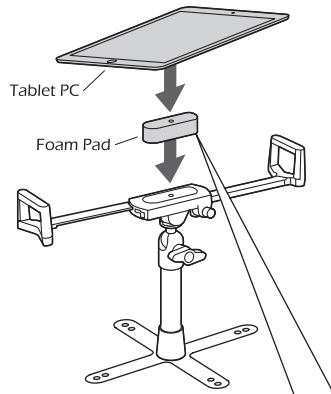
1. Press and hold on the release button to unlock the frame.



3. Adjust the frame to fit your tablet PC.

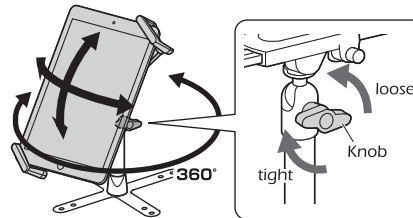


2. Install the tablet PC on the frame.



Adjustable Angle

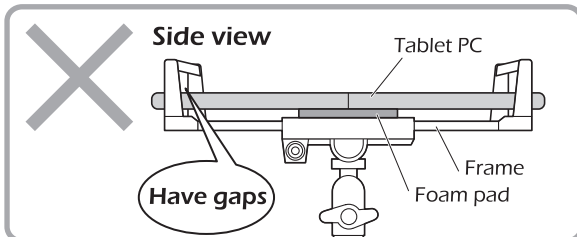
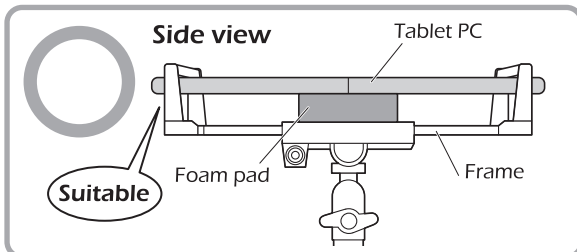
Loosen the knob to adjust the angle.



- Pay attention to the bracket sliding when adjusting. Recommended to hold the frame with one hand and loosen the knob to adjust the angle.
- Please tighten the knob after adjusting the angle.

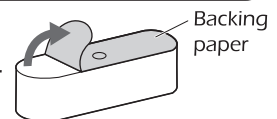
Can adjust thickness with foam pad

Use the sponge to adjust the thickness between the tablet and the stand.

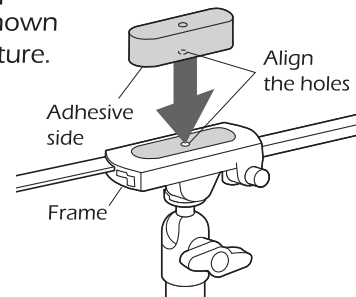


Paste method

1. Tear off the backing paper on the foam pad.



2. Stick the foam pad to the frame as shown in the right picture.



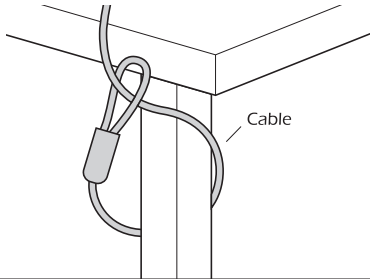
How to lock the stand with cable

Locking method

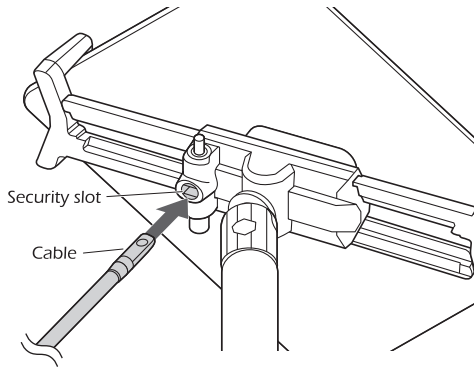
The tablet PC is installed on the stand.



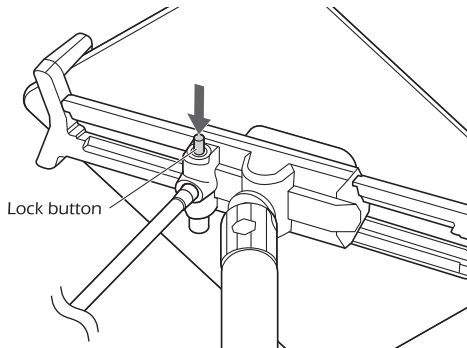
1. Pass the cable around the table leg or other fixture.



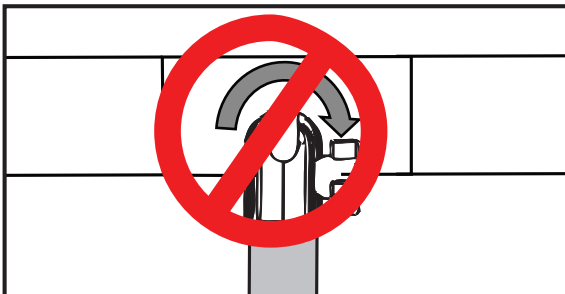
2. Insert the front end of the cable into the security slot.



3. Press the lock button.
Unable to remove the cable and open the stand.



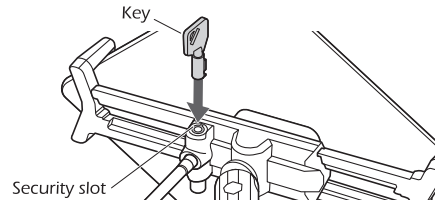
*Disclaimer - Ball Joint Warning



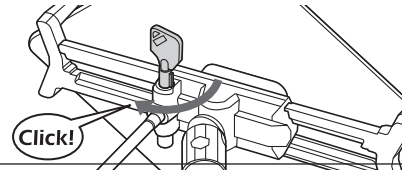
DO NOT attempt to adjust, tilt, or rotate any ball socket joints while it is fully tightened. Any such action will result in possible damage and loss of integrity of product functioning at full capacity. Manufacturer will not be responsible for any such actions by any person.

Unlocking method

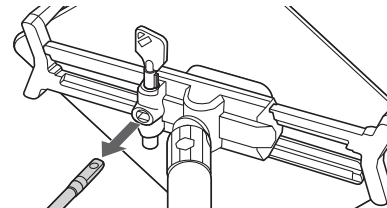
1. Insert the key into the security slot.



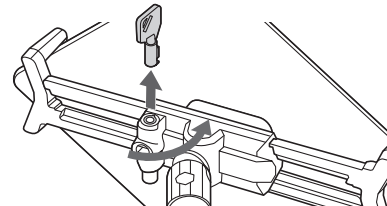
2. Rotate the key 90° to hear "click".



3. Take out the cable.



4. Turn the key counterclockwise to take out the key.



How to fix the base

The base can be fixed to the desktop or wall as shown in the picture

