



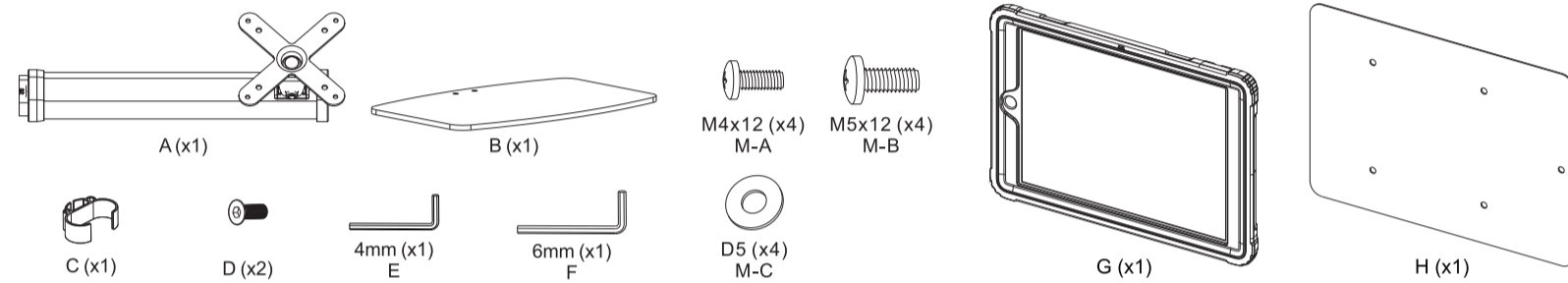
PAD-WADMQR

Height-Adjustable Mount with Quick Release Magnetic Case for iPad 7th, 8th, & 9th Gen, iPad Air 3, and iPad Pro 10.5"

INSTRUCTION MANUAL

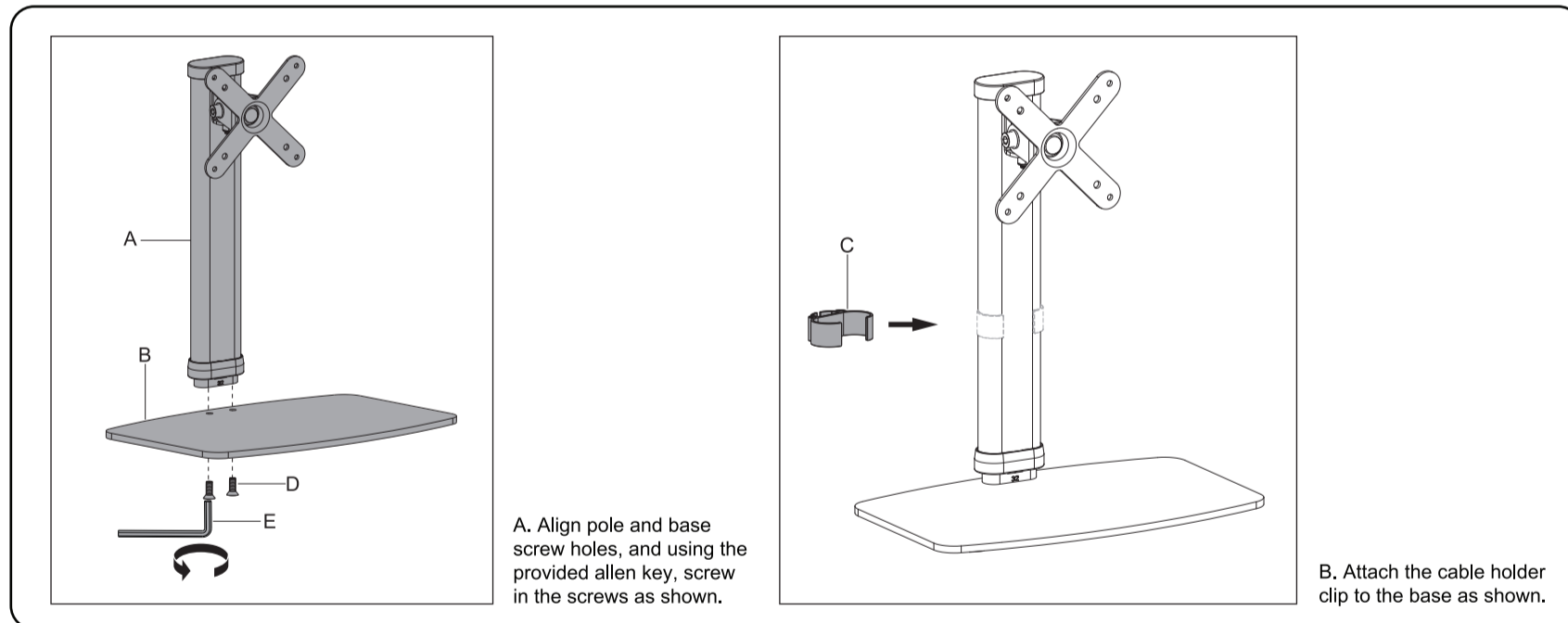
Thank you for choosing CTA Digital's product. We hope that you will enjoy using it. Please follow the guidelines and instructions as laid out in this instruction manual

PACKAGE CONTENTS:

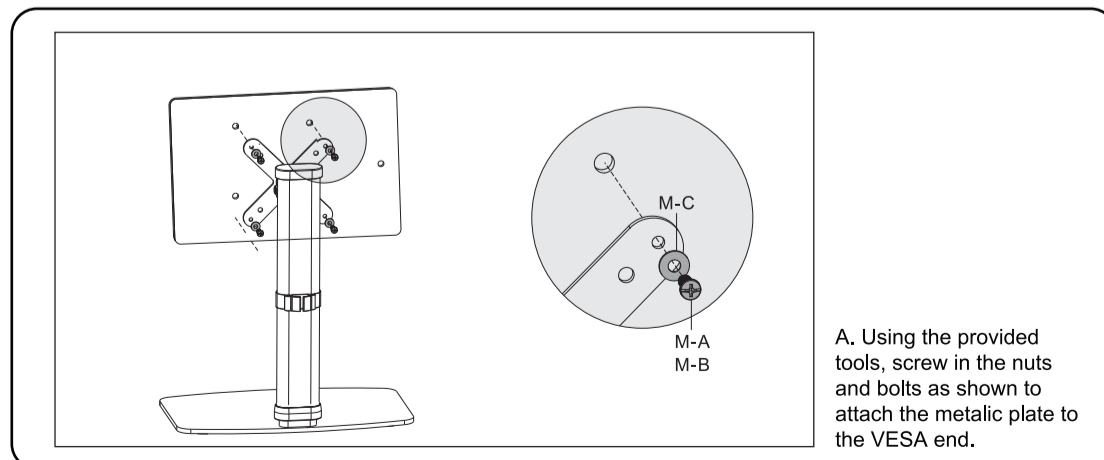


INSTRUCTIONS:

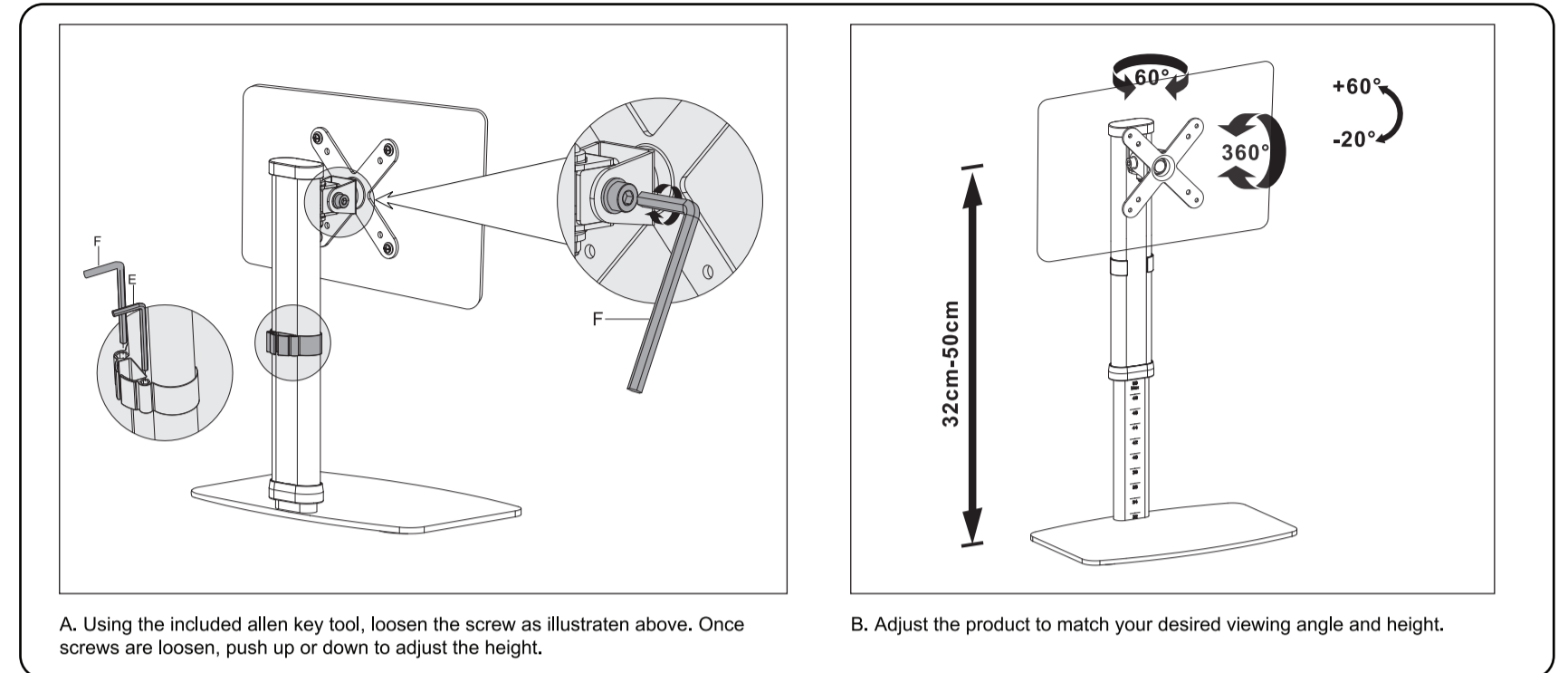
1. Connecting Pole with Base and Clip:



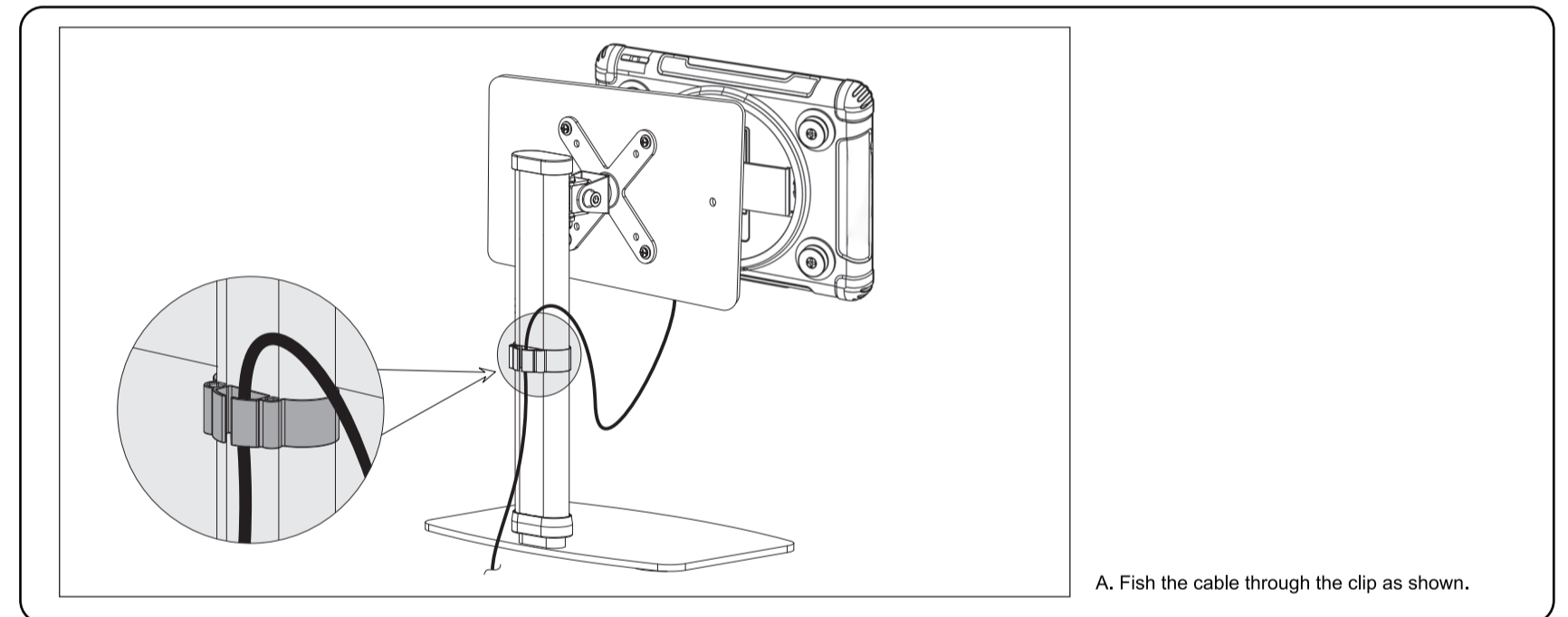
2. Connecting VESA with Metal Plate:



3. Adjusting VESA joint for Tilt, Swivel and Orientation Adjustability:



4. Cable Management:



5. Case from Tabletop to Handheld:

