



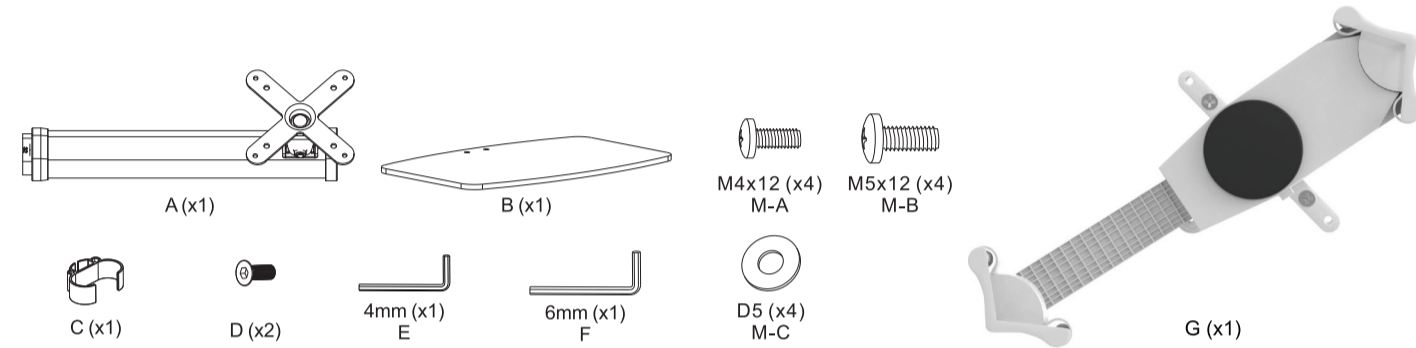
PAD-WADMWH

# Height Adjustable Desk Mount w/ Non-Security Universal Holder

## INSTRUCTION MANUAL

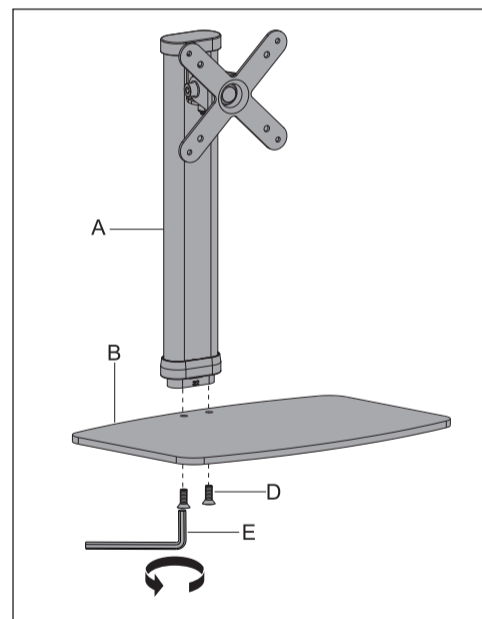
Thank you for choosing CTA Digital's product. We hope that you will enjoy using it. Please follow the guidelines and instructions as laid out in this instruction manual

### PACKAGE CONTENTS:

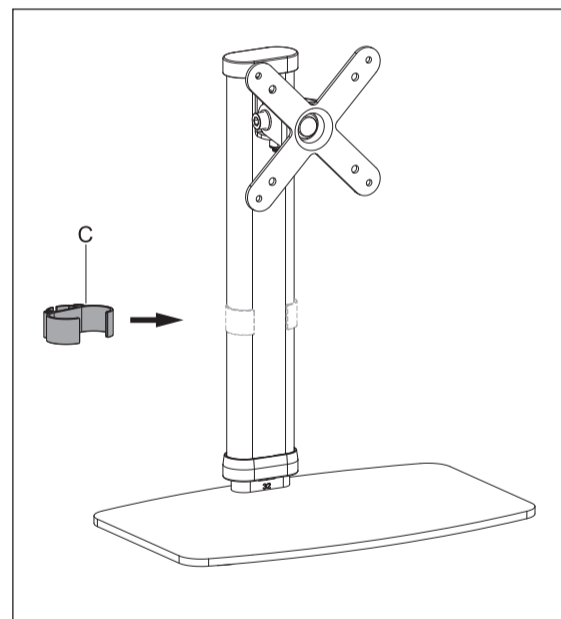


## INSTRUCTIONS:

### 1. Connecting Pole with Base and Clip:

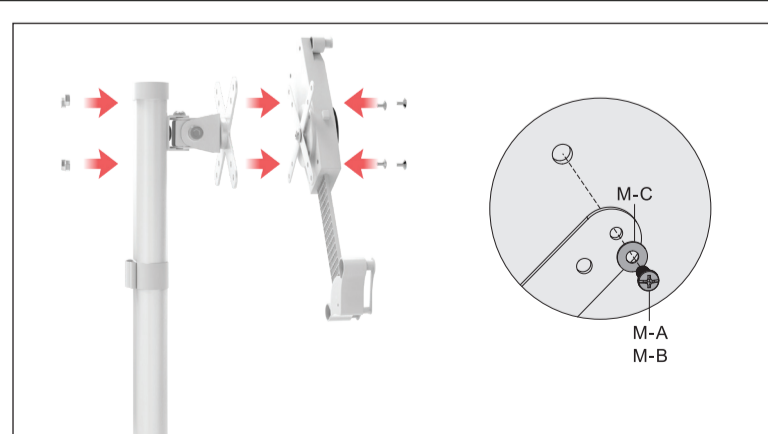


A. Align pole and base screw holes, and using the provided allen key, screw in the screws as shown.



B. Attach the cable holder clip to the base as shown.

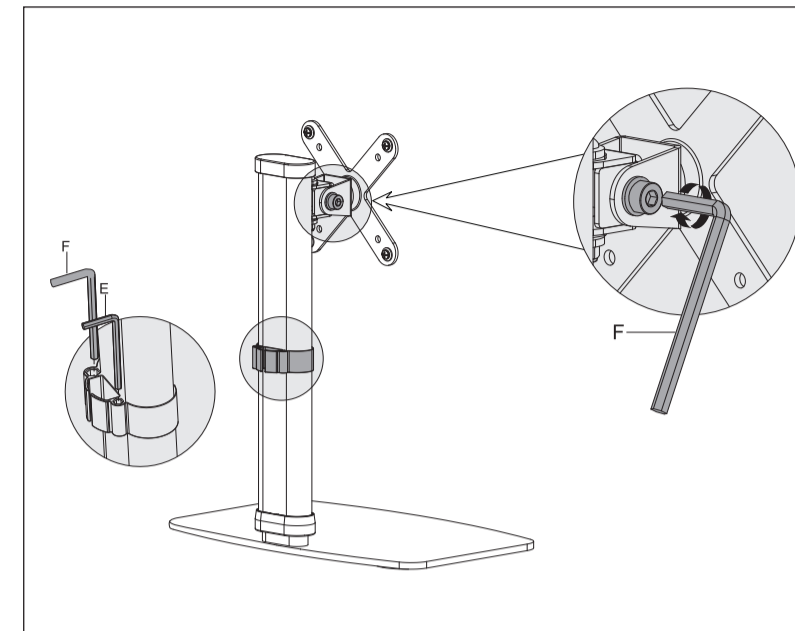
### 2. Connecting VESA with Tablet Holder:



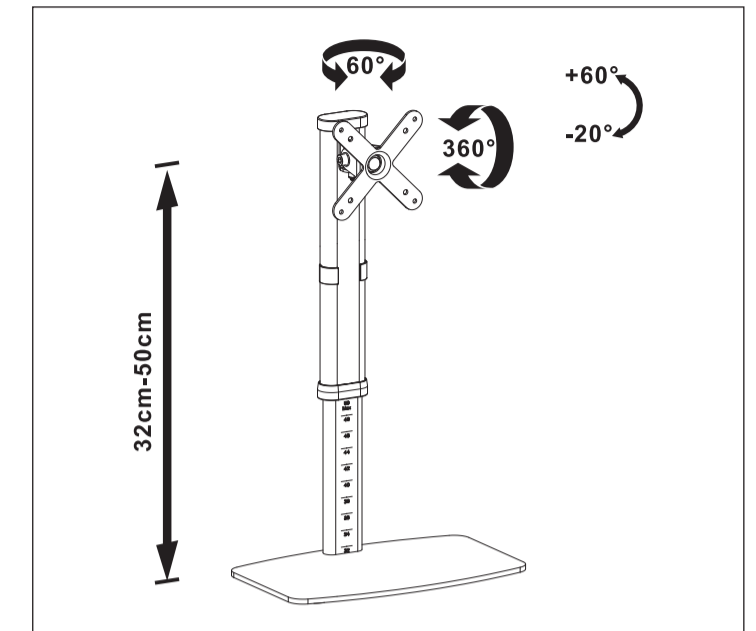
A. Using the provided tools, screw in the nuts and bolts as shown to attach the tablet holder to the VESA end.

SUPPORT@CTADIGITAL.COM

### 3. Adjusting VESA joint for Tilt, Swivel and Orientation Adjustability:

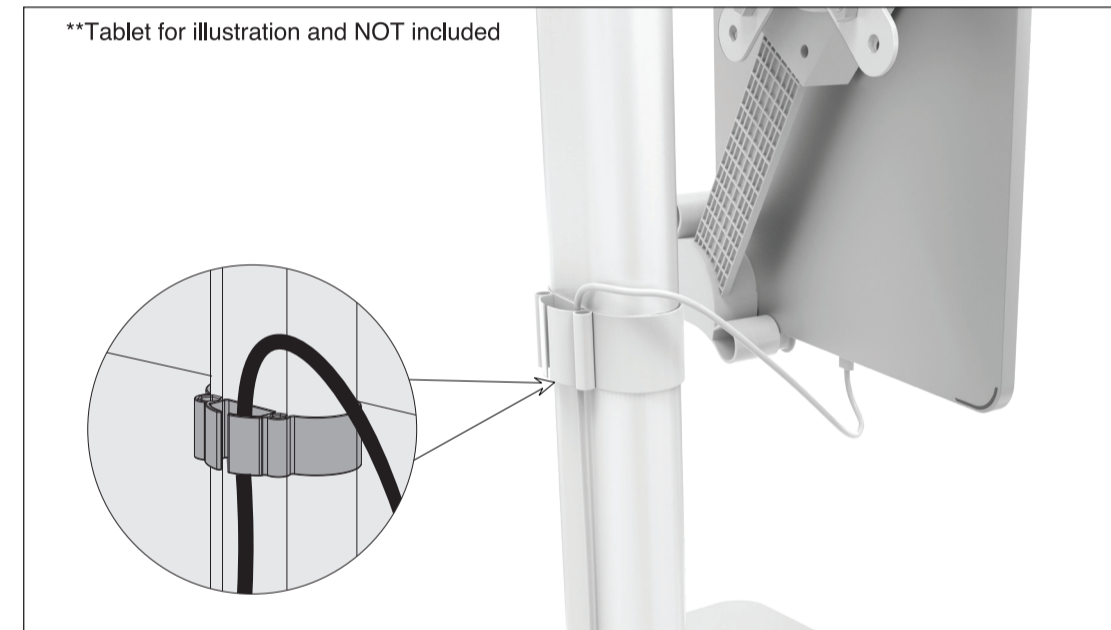


A. Using the included allen key tool, loosen the screw as illustrated above. Once screws are loosened, push up or down to adjust the height.



B. Adjust the product to match your desired viewing angle and height.

### 4. Cable Management:



A. Fish the cable through the clip as shown.

SUPPORT@CTADIGITAL.COM