

PAD-SVWMBS User Manual

SIZE: 190 X 370 mm



Security VESA Flushed Wall Mount (Black/White)

INSTRUCTION MANUAL

PAD-SVWMBS / PAD-SVWMWS

Contents

Security Bracket x 1

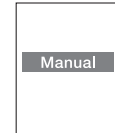
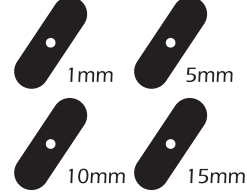
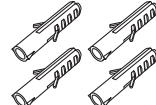
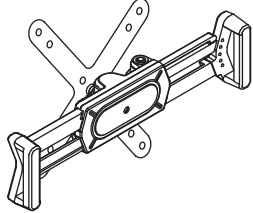
Key x 2

Screw x 4

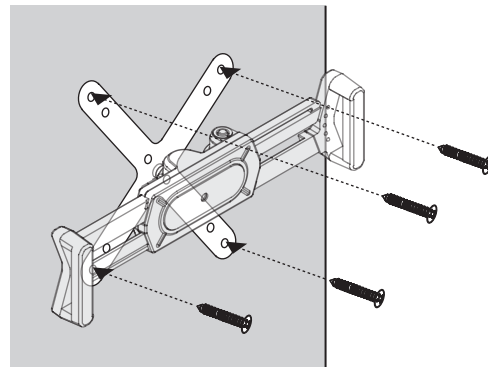
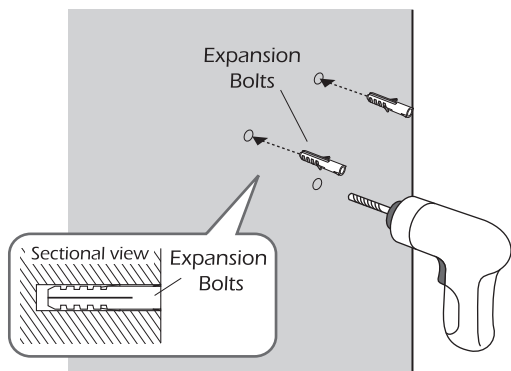
Expansion Bolts x 4

Foam Pad x 4 kinds

Manual x 1



Mounting Bracket On The Wall

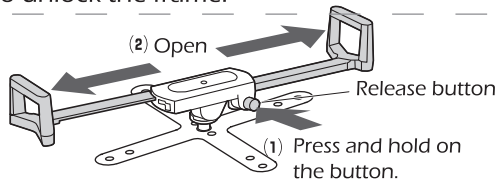


1. Drill a hole in the wall to these specifications:
diameter: 6.5~7mm ; depth: 40~45mm
Knock the expansion bolts completely into the wall.

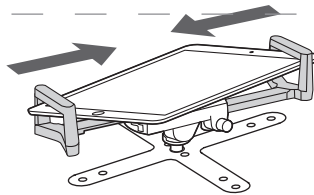
2. Fix it with screws on the wall.

How to install a tablet PC

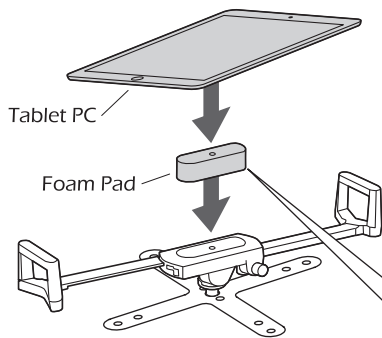
1. Press and hold on the release button to unlock the frame.



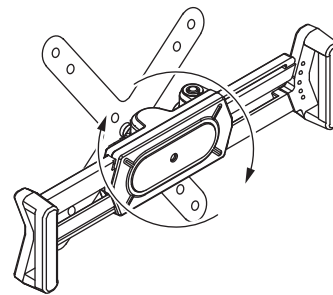
3. Adjust the frame to fit your tablet PC.



2. Install the tablet PC on the frame.

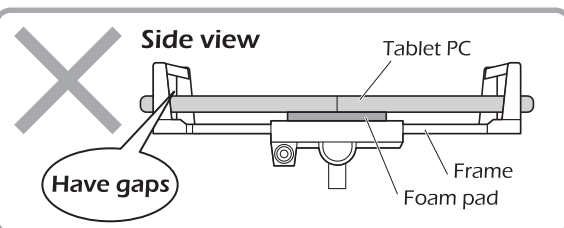
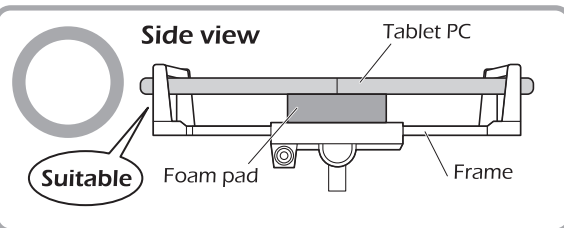


Adjustable Angle



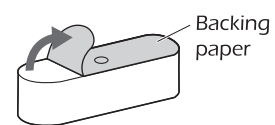
Can adjust thickness with foam pad

Use the sponge to adjust the thickness between the tablet and the stand.



Paste method

1. Tear off the backing paper on the foam pad.



2. Stick the foam pad to the frame as shown in the right picture.

